



SUPERIOR AIRFLOW. SUPERIOR PERFORMANCE.®



PRODUCT CATALOG 2016



THE ORIGINAL PERFORMANCE
FILTER OF NASCAR





HIGH-FLOW TECHNOLOGY

AIR FILTERS · INTAKE SYSTEMS · OIL FILTERS

AUTOMOTIVE PERFORMANCE



- 98% Air Filter Vehicle Coverage
- 99% Oil Filter Vehicle Coverage
- 65% Air Intake System Vehicle Coverage
- 54% Cabin Air Filter Coverage

RACING PRODUCTS



- The Original Performance Filter of NASCAR®
- Filtration Products for Vehicles in Most Forms of Racing

POWERSPORTS FILTRATION



- Available for most On-Road/Off-Road Motorcycles, ATV, UTV, Side by Side, Watercraft, and Snowmobiles
- OE Replacement High-Flow Air Filters™, Premium Oil Filters, Performance Intake Systems and Filtration Accessories
- Designed to Increase Performance and Provide Excellent Filtration

HEAVY DUTY DIESEL FILTRATION



- Applications for Many Popular Applications
- Air filters are Easy to Clean and Use no Oil
- Heavy Duty Oil Filters feature a Welded Nut for Easy Removal

MOBILE AND AUXILIARY POWER EQUIPMENT



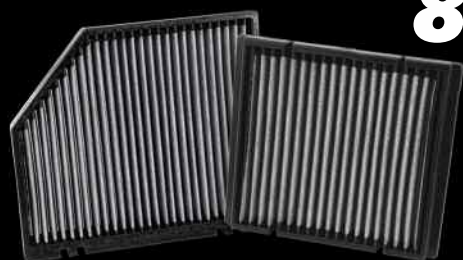
- Available for Many Outdoor and Industrial Applications
- Easy to Clean - Most Feature an Oil-Free Synthetic Filter Media

**HIGH-FLOW
AIR FILTERS™**



PAGE
2

**WASHABLE CABIN
AIR FILTERS**



PAGE
8

**PERFORMANCE
INTAKE SYSTEMS**



PAGE
4

SOME INTAKE SYSTEMS ARE NOT LEGAL FOR SALE OR USE ON ANY POLLUTION CONTROLLED MOTOR VEHICLE IN CALIFORNIA OR STATES ADOPTING CALIFORNIA EMISSION PROCEDURES.

See knfilters.com for CARB status on each part for a specific vehicle

**HIGH-FLOW
OIL FILTERS**



PAGE
6



INDEX

**SUPERIOR AIRFLOW.
SUPERIOR PERFORMANCE.®**

SECTIONS

PAGES

Engine Air Filters, OE Replacements

Benefits	2-3
Product Listings	174-452
Cleaning Instructions & Accessories	480-481
Light Duty Turbo Diesel Truck	10
Motorcycle and ATV	11
Agricultural and Heavy Duty	12-13
Mobile & Auxiliary Power Equipment	14

Intake Systems

Benefits	4-5
Product Listings	81-173
Light Duty Turbo Diesel Truck	10
Spare Filters and Wraps	77-80

Oil Filters

Benefits	6-7
Product Listings	174-452
Agricultural and Heavy Duty	7, 13

Cabin Air Filters, OE Replacements

Benefits	8
Product Listings	453-461
Cleaning Instructions & Accessories	479, 481

Fuel Filters and Fuel Pumps

Benefits	9
Product Listings	462-475

Universal/Clamp-On Air Filters

Benefits	16
Listings by Size	44-62

Vent Filters and Breathers 18-19

Racing, Hot Rod, and Custom Products 20-34

Air Filter Accessories 35-36

Filter Wraps 37-42

Filter Dimensions by Size 63-76

Warranties and Guarantees 476-477

Cleaning Products and Instructions 479-481

The following are trademarks and/or registered trademarks of K&N Engineering, Inc.: 57i, 57i Gen 2, 57s Performance Box Logo, Aircharger, Blackhawk Induction Logo, Custom 66 Series, Custom 66 Series Logo, Drycharger, Dryflow, Dryflow Air Filter Technology Logo, Filtercharger, FIPK, Hybrid Air Filter K&N Technology Logo, K&N, K&N Logo, K&N Diesel logos, K&N Hand Made Logo, K&N High-Flow Air Filter, K&N High-Flow Air Filter Logo, K&N Inventor Logo, K&N Million Mile Languages Logo, K&N Million Mile Limited Warranty, K&N Million Mile Limited Warranty Logo, K&N Off Road & Racing Logo, K&N Off Road Tire Logo, K&N Refresher, K&N Washable Cabin Air Filter, K&N World's Best Air Filter Logo, knfilters.com, knpowersports.com, Make Your Move, Performance Gold, Power Kleen, Powerlid, Precharger, Recharger, Snowcharger, Stubstack, Typhoon, Washable Reusable Performance Logo, Wrench-Off, Wrench-Off Performance Oil Filters Logo, Xstream, Xstream logos, Up To 50% More Airflow Than Traditional Paper Air Filters Logo, K&N Pro Series, and K&N Pro Series Oil Filter. K&N protects its marks and other legal rights against infringers.

Parts Updated Daily at KNFILTERS.COM

or Call 800-858-3333

Mon-Thur 8AM-5PM & Fri 8AM-4:30PM PDT

1

HIGH-FLOW OE REPLACEMENT AIR FILTERS

The 5-Minute Performance Upgrade

Never Replace Your Air Filter Again

- Designed to Increase Horsepower with up to 50% More Airflow
- Washable High-Flow Cotton Media
- Fits Directly into Your Factory Airbox in About 5 Minutes



- 10-Year/Million Mile Limited Warranty
See page 476 for complete details
- Up to 50,000 Miles Between Cleanings*
*Under normal highway driving conditions

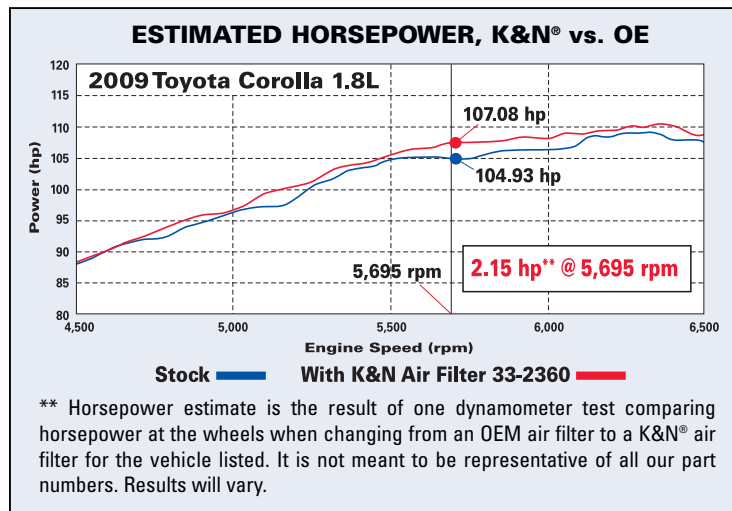
Won't Void
Vehicle
Warranty



Find parts for vehicles on pages 174-452 or at knfilters.com

Designed to Increase Horsepower

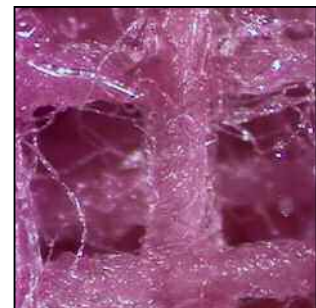
This is the original high-flow air filter invented by K&N®. It is made with layers of woven cotton for a washable filter that offers high airflow that can increase your car's horsepower and acceleration. For better performance and value over the life of your car, you cannot go wrong with our most popular product.



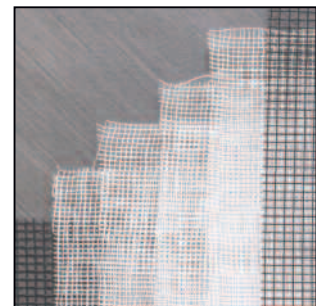
Save Money and Reduce Waste

One K&N® OE replacement air filter costs less than replacing disposable air filters over and over again. Washable air filters also help reduce the number of disposable air filters thrown into our landfills each year.

Thousands of microscopic cotton gauze fibers naturally hold specially designed oil in suspension to create a powerful filtering medium



Cotton breathes easier increasing airflow to help your car run better.



Filter media is shown before K&N® filter oil is applied.

HIGH-FLOW OE REPLACEMENT AIR FILTERS



**Built to Last for
the Life of Your Car**

The 5-Minute Performance Upgrade

Designed to Improve Engine Performance

Air Filter Testing

We invented high-flow cotton air filters to reduce air filter restriction while maintaining outstanding protection. A high-flow air filter can help your car run better by allowing an engine to breathe easier. Higher airflow with less restriction can increase horsepower and acceleration.

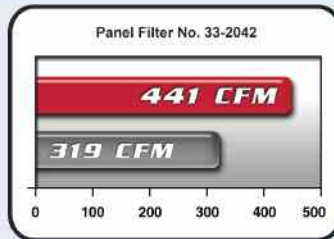


AIRFLOW COMPARISON CHARTS[†]

These charts are examples of individual filters. Results will vary depending on part number and vehicle. Complete test protocol and results available at knfilters.com.



Average Disposable
Aftermarket Air Filter



K&N[®] Washable
Reusable Air Filter

[†] Dust-free airflow tests performed on laboratory equipment. These tests measure airflow of clean air filters in cubic feet per minute (CFM) at 1 1/2" of water pressure drop. Actual airflow rates will vary for these or other part numbers.

To help ensure we continue to deliver a quality product, we perform thousands of tests, including the following:

- Airflow and restriction test measurements
- Filtration efficiency in accordance with the ISO 5011 test protocol
- Vehicle horsepower testing on inertial dynamometers
- Vibration and heat cycling durability testing to simulate actual driving conditions

**WASHABLE
REUSABLE
PERFORMANCE[®]**



Easy to Install - Usually No Tools Required



Step 1: Open the vehicle's air box.



Step 2: Remove the disposable filter.



Step 3: Place the K&N[®] Washable/Reusable Air Filter into the air box.



Step 4: Close the air box and apply the "Do Not Discard" decal.

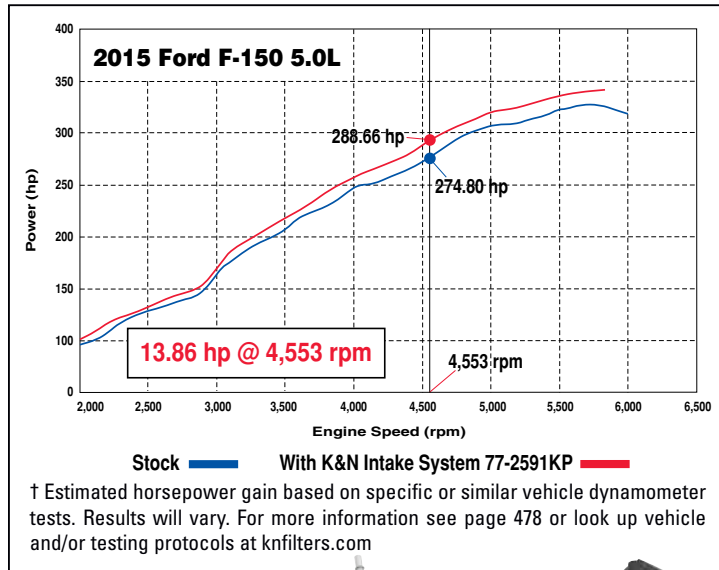
K&N[®] OE replacement air filter #33-2342 installation shown on a 2011 Honda Civic 1.8L. Installation may vary for your vehicle.

PERFORMANCE AIR INTAKE SYSTEMS

The Ultimate Power Upgrade

Get More Horsepower Than From a K&N® OE Replacement Air Filter Alone

- Guaranteed to Increase Horsepower
 - Washable and Reusable High-Flow Air Filter
 - Easy to Install in 90 Minutes or Less
 - Oversized Air Filter Can Go Up to 100,000 Miles Between Cleanings**
- ** Under normal highway driving conditions
- Better Engine Sound
 - 10-Year/Million Mile Limited Warranty
- See page 476 for complete details



A Complete Air Delivery System

K&N® intake systems completely replace the factory air intake assembly with an aerodynamically engineered tube and an oversized conical air filter. Most systems come with a heat shield to help isolate the air filter element from the warm air generated by the engine. Cooler air results in better performance and power.

A typical installation can be done with a screwdriver, pliers and a ratchet set in 90 minutes or less! We specifically engineer our kits to use factory holes and mounting points, making installation simple. The vast majority of our kits do NOT require any cutting or drilling.



GUARANTEED TO INCREASE HORSEPOWER



* Where applicable

SOME INTAKE SYSTEMS ARE NOT LEGAL FOR SALE OR USE ON ANY POLLUTION CONTROLLED MOTOR VEHICLE IN CALIFORNIA OR STATES ADOPTING CALIFORNIA EMISSION PROCEDURES. See knfilters.com for CARB status on each part for a specific vehicle

Look up the estimated horsepower gain available for your car on pages 81-173 or at knfilters.com

PERFORMANCE AIR INTAKE SYSTEMS

**Over 600 intakes available
and more on the way.**

See KNFILTERS.COM for the latest releases.

Better Sound and More Power You Can Feel

You'll smile at your car's new sound. A K&N® intake system will make your car growl when under acceleration, yet stay quiet once at speed. You'll be thrilled when you feel the increased acceleration and horsepower. Plus you can feel confident knowing that your intake system is backed up by the best and largest aftermarket intake company in the World.

K&N® 10-Year/Million Mile Limited Warranty*

Each intake system we design is tested for durability and power improvement. From vibration stands to dynamometers, to over the road testing, we put our intake systems through rigorous requirements so we can back them up with our 10-year/million mile limited warranty.

Extend Your Cleaning Interval to 100,000 Miles

These intake systems come with oversized conical air filters that only require cleaning every 100,000 miles under normal highway driving conditions.

The Ultimate Power Upgrade

Guaranteed to Increase Horsepower



SOME INTAKE SYSTEMS ARE NOT LEGAL FOR SALE OR USE ON ANY POLLUTION CONTROLLED MOTOR VEHICLE IN CALIFORNIA OR STATES ADOPTING CALIFORNIA EMISSION PROCEDURES.

See knfilters.com for CARB status on each part for a specific vehicle

TUBES AND FINISHES

High Density Polyethylene (HDPE) Tubes

Some Part numbers starting with: 57, 63†

- Non-metallic rotationally molded tubes that help reduce turbulence and accelerate airflow into the engine for more power

Aluminum Tubes

Part numbers starting with: 69, 71, 77

- Free-flowing, mandrel-bent systems built for performance and show and available in an assortment of finishes

Carbon Fiber Tubes

Some part numbers starting with: 63†

- Lightweight, attractive and strong composite used in some of our complete air delivery systems



HDPE

Part numbers start with: 57, 63†



CARBON FIBER

Some part numbers starting with: 63†



SILVER

Part numbers end with: TS, KS



WRINKLE RED

Part numbers end with: TWR



BRIGHT

Part numbers end with: KP, TP, P



TEXTURED BLACK

Part numbers end with: TTK, KTK, TFK, TWK and part numbers that start with: 71



RED

Part numbers end with: TR



BLUE

Part numbers end with: TB

† Intake systems starting with 57 or 63 usually incorporate molded High Density Polyethylene Tubes.

PERFORMANCE GOLD® OIL FILTERS

High-Flow Performance Made Easy

Our Premium Oil Filter

Part numbers starting with: HP

- Welded Nut on Canister for Easy Removal with a Standard Tool
- High Flow Rates and Efficiency
- Heavy Duty Canister Construction
- Great for Use with Conventional or Synthetic Oils



Premium Grade Wrench-Off® Oil Filters

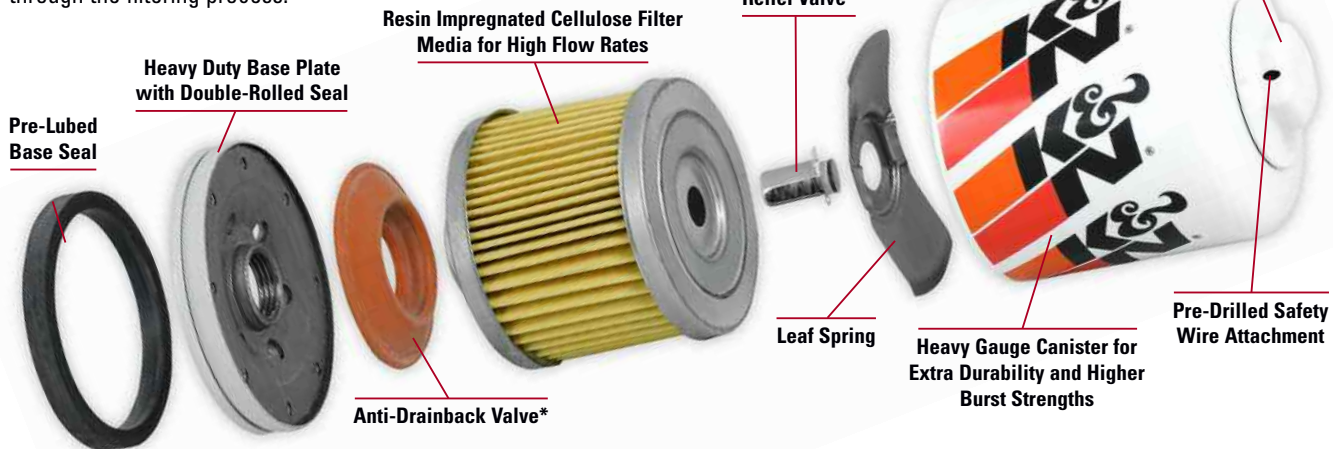
We've all been there: whether it's remembering where that filter removal wrench is; having oil leak all over your garage and yourself; or finally giving up and pounding a screwdriver through the filter just to get it off. Most of our oil filters come with a nut welded to the top of the canister so they can be easily wrenched-off with a standard tool.

High-Flow Rate

Our oil filters use resin impregnated cellulose filter media. This allows for higher flow rates while providing outstanding filtration. High filter flow rates are important in racing vehicles where heavier grade oil is used and the oil is pumped much faster than in a standard vehicle. When the engine is circulating oil at high GPM rates, the high-flow oil filter helps reduce the loss of pressure through the filtering process.

Heavy Duty Construction for Extreme Conditions

To satisfy the demands of racers, our premium Wrench-Off® oil filter has many features over and above the requirements of most vehicles. We use thicker canister walls for extra strength and durability which reduces the risk of damage from loose rocks and debris. The heavy duty construction will withstand higher oil pressures. The drilled hole in the nut is for a safety wire attachment. Required for many types of racing, the safety wire can prevent blown oil filters from falling on the track and presenting a hazard to other race vehicles. This extra engineering offers peace of mind for consumers who want only the best.



Extended Life Makes Dollars and Sense

Many vehicle manufacturers are now recommending average oil change intervals of 10,000 miles or longer for newer vehicles using certain synthetic motor oils.** K&N® premium Wrench-Off® oil filters are the perfect partner for synthetic oils and extended oil change intervals. Extending your oil change intervals can save you time and serious money. Don't let an oil filter designed to last 3,000 miles be the weak link in the chain. K&N's premium Wrench-Off® oil filters are built to go the distance.

* Where applicable

** Always follow the factory recommended oil change intervals found in your vehicle owners manual.



PERFORMANCE OIL FILTERS

For Cars, Trucks, Diesel, and Motorcycles

Delivering Performance and Confidence

PRO SERIES

For Professional Service Providers

- Designed for Better Engine Performance by Reducing Oil Filter Restriction
- Engineered to Handle All Grades of Synthetic and Conventional Motor Oils
- Pleated Filtration Media for Increased Capacity and Outstanding Filtration

Part numbers starting with: PS



Proud Sponsor of the



CARTRIDGE

- High-Flow, Pleated Filter Media Provides Increased Capacity and Outstanding Filtration
- Engineered to Handle All Grades of Synthetic and Conventional Motor Oils, Including Blends
- Available for Powersports or Automotive Applications



POWERSPORTS

- 17mm Nut for Easy Wrench-Off®
- High-Flow Filtration Media Designed for Use with Today's Synthetic and Synthetic Blended Oils
- Heavy Duty Canister Construction for High Burst Strength



HEAVY DUTY DIESEL

- Sturdy 1-Inch Nut for Easy Wrench-Off®
- High Dirt Holding Capacity and Filtration Efficiency
- Heavy Gauge Canister for Increased Burst and Pulsation Fatigue Strength
- Excellent Cold Flow Characteristics for Engine Protection During Cold Start-Up



WASHABLE PERFORMANCE

The Last Oil Filter Your Car Will Need

- Never Needs To Be Replaced
- Cleans Easily with Soapy Water or in a Parts Washer
- Provides a Substantial Increase in Oil Flow When Compared To Standard Disposable Oil Filters
- K&N Million Mile Limited Warranty®
- Made in the USA with Premium Materials

Part numbers starting with: SS



REPLACEMENT O-RING KITS

- For use with K&N® reusable billet oil filters

DESCRIPTION	PART#
Small	SS-001
Medium	SS-002
Large	SS-003

NASCAR® is a registered trademark of the National Association for Stock Car Auto Racing, Inc.

Parts Updated Daily at KNFILTERS.COM or Call 800-858-3333

WASHABLE CABIN AIR FILTERS

Never Replace Your Cabin Air Filter Again

Breathe Cleaner Air!



- Cleans and Freshens Incoming Air
- Electrostatically Charged to Hold Dirt and Dust
- Helps Control Odors

Cleans the Air, then Cleans up Easily

K&N® cabin air filters use a single layer of thermally bonded nonwoven synthetic material as a physical barrier to trap dust, pollen, leaves and other debris. With the aid of the K&N® Refresher™ spray, an electrostatic charge is able to help capture many types of mold, mildew, spores, fungus, bacteria and germs while helping to control odors. K&N® cabin air filters are designed to meet factory filtration requirements and typically flow more air than the average disposable paper cabin air filter. K&N® cabin air filters are built with molded urethane and wire screen ensuring long life, and the ability to be cleaned repeatedly.

The ability to wash and reuse a filter is perhaps the most important feature offered by the new line of K&N® cabin air filters. This is excellent news for allergy sufferers, those with

- Helps Capture Most Mold, Mildew, Fungus, Spores, Bacteria, Germs, Pollen and Allergens
- Factory Fit - Pre-Treated and Ready to Install
- Easy to Clean and Reuse

breathing difficulties, or vehicles operated in dirtier than normal environments. K&N® recommends servicing its cabin air filters at least every 12,000 miles. They can be cleaned in a few simple steps with the new K&N® Refresher™ Kit #99-6000. **The 99-6000 Refresher™ kit is not to be confused with K&N's traditional Recharger® kit used for our high-flow engine air filters.** Because the technology in our cabin air filters is different, the two cleaning kits cannot be substituted for one another. Each 99-6000 Refresher™ cabin air filter cleaning kit includes cleaning instructions.

Over time, a K&N® cabin air filter will pay for itself when compared to purchasing disposable filters time and again. We are so confident in our cabin air filters that they are covered by a 10-year/100,000 mile limited warranty.



99-6000
K&N® Refresher™ Kit
See page 481 for details

Look up the washable cabin air filter for your car on pages 453-461 or at knfilters.com



PERFORMANCE FUEL FILTERS AND FUEL PUMPS

High Flow Rates and Superior Construction

Fuel Filters

- High Flow Rates, Efficiency and Capacity
- High Strength Carbon Steel Filter Housing
- High Performance Seam Exceeds OEM Pressure Requirements

K&N® performance fuel filters are a direct factory replacement filter and offer your engine the protection and quality expected from the makers of the World's Best Air Filter™. The high-performance cellulose glass media helps remove contaminants such as rust, dirt, scale and other foreign materials, providing excellent fuel system protection. K&N® performance fuel filters are specifically designed to keep your engine running clean and smooth even in harsh conditions.

K&N® performance fuel filters will replace a vehicle's factory fuel filter and are designed to meet or exceed OEM specifications. The fuel filter housing is made from high-strength carbon steel and powder coated for corrosion resistance. The high efficient, high capacity design is rated at 80 gallons per hour flow rates. The SAE J2044 compliant fuel connectors, and rolled seams exceed OEM



Gas Filters

Find fuel filters and fuel pumps on pages 462-475 or at knfilters.com



Diesel Filters

pressure requirements. These quality factory replacement K&N® performance fuel filters are backed by a one-year replacement warranty for gasoline applications and a 90-day replacement warranty for diesel fuel filters. K&N® fuel filters deliver performance and confidence!

Fuel Pumps

- Compatible with Diesel, Biodiesel, Gasoline, E85, Methanol, Ethanol, Alcohol and Other Fuels
- Universal Design Fits Most Applications
- Pumps 15 Gallons Per Hour Between 1 and 2 psi
- Self-priming Design Provides a Quiet Running Volume
- Helps Eliminate Vapor Lock and Flooding
- Fuel Filter and Installation Hardware is Included

K&N® inline fuel pumps provide premium quality fuel system hardware with a universal design that fits a wide variety of applications. Compatible with most fuels, this self-regulating 12-volt pump helps prevent vapor lock and flooding. Engineered to pump 15 gallons per hour between 1 and 2 psi, this product comes with a fuel filter and includes all necessary installation hardware.

CAUTION: Not intended for aircraft use or fuel injection.

For Cars, Trucks, RVs, Generators, Marine, Agricultural and Industrial



81-0402

DESCRIPTION

1.0 - 2.0 PSI / 15 GPH, Gas Fuel
1.5 - 4.0 PSI / 25 GPH, Gas Fuel
4.0 - 7.0 PSI / 32 GPH, Gas Fuel
9.0 - 11.5 PSI / 34 GPH, Diesel Fuel

PART#

81-0400
81-0401
81-0402
81-0403

BLACKHAWK INDUCTION™ AND DIESEL PERFORMANCE

Replacement Air Filters and Performance Intake Systems

Filtration for Demanding Vehicles and Drivers



Blackhawk Induction™ Systems

- Guaranteed to Increase Horsepower
- Better Engine Sound
- Feature Black Synthetic No-Oil Air Filters That Are Easy to Clean

Our blacked out intake systems give you a stealth look along with the added performance and killer sound that comes with traditional K&N® intakes.

NEW!

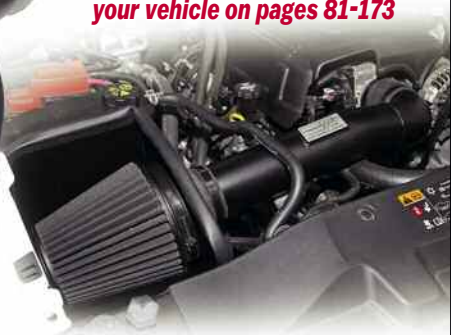


Available for Select: Gas Trucks,
Diesel Trucks and Muscle Cars

Part numbers start with 71-
Find air intake systems for
your vehicle on pages 81-173

DRYFLOW
AIR FILTER TECHNOLOGY®

NO OIL REQUIRED!

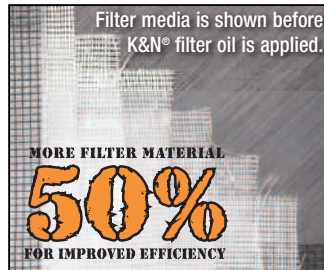


High-Flow Diesel Intake Systems

- Guaranteed to Increase Horsepower
- Better Engine Sound
- 6 Layers of Extra Fine Weave Cotton
- Up to 100,000 Miles Between Cleanings†

High-Flow Diesel Air Filters

- Designed to Increase Horsepower
- Washable and Reusable
- 6 Layers of Extra Fine Weave Cotton
- Up to 50,000 Miles Between Cleanings†
- 50-State Street Legal



K&N® high-flow diesel air filters are made with more layers of cotton filter media than our standard OE replacement air filters.



Light Duty Turbo Diesel Truck Filtration

A diesel engine is a tough environment; that's why we build diesel air filters to even higher specifications. They typically use deeper pleats in larger sizes to increase surface area for more capacity and airflow. They contain more cotton in different grades and configurations to achieve higher levels of efficiency. When you put a K&N® diesel air filter to work, you can feel confident that you've got a product specially designed and tested for your diesel's specific engine demands.



+16 Estimated Horsepower Gain*

Intake System 57-2576
2008-10 Ford F-250/F-350
6.4L Diesel

+10 Estimated Horsepower Gain**

Air Filter E-0776
2003-09 Dodge Ram 2500/3500
5.9L Diesel

* Estimated horsepower gain based on specific or similar vehicle dynamometer tests. Results will vary. For more information see page 478 or look up vehicle and/or testing protocols at knfilters.com.

** Horsepower estimate is the result of one dynamometer test comparing horsepower at the wheels when changing from an OEM air filter to a K&N® air filter for the vehicle listed. It is not meant to be representative of all our part numbers. Results will vary. For more information see page 478 or look up vehicle and/or testing protocols at knfilters.com.

† Under normal highway driving conditions.

SOME INTAKE SYSTEMS ARE NOT LEGAL FOR SALE OR USE ON ANY POLLUTION CONTROLLED MOTOR VEHICLE IN CALIFORNIA OR STATES ADOPTING CALIFORNIA EMISSION PROCEDURES.

See knfilters.com for CARB status on each part for a specific vehicle

MOTORCYCLE AND ATV AIR AND OIL FILTERS

Upgrades for Powersports Vehicles

Providing Increased Performance, Long Life, and Ease of Maintenance

We have been manufacturing performance motorcycle air filters since the late 1960's. Designed to drop into your factory airbox, we offer over 600 stock replacement high-flow air filters, including products for cruisers, sportbikes, and ATVs. We also produce specialty air filters and performance air intake systems for select cruisers, and ATVs/side by sides.

Outside of air filtration, we manufacture premium oil filters that are built with synthetic media designed to be compatible with both synthetic and petroleum based oils. The special synthetic media is designed to withstand the high concentrates of synthetic racing oils while providing both high flow rates and outstanding filtration. K&N® oil filters deliver performance and confidence!

Powersports air and oil filters are included in this catalog. For the complete Powersports line see knfilters.com or request a K&N® Powersports catalog at 1-800-858-3333.

Motorcycle and ATV air filters and oil filters are listed on pages 174-452



Other Specialty Powersports Performance Products



Performance Intake Systems*

For American V-Twin Motorcycles

- Better Engine Sound and Power You Can Feel
- Guaranteed to Increase Horsepower
- Replaces OE Air Filter Assembly
- Multiple Styles to Choose



Race-Spec High-Flow Air Filters**

For Performance Track Bikes

- Purpose-Built for Racing
- Two-Ply Cotton Race Filter Media
- Specially Pleated for Low-Restriction

Note: Requires fuel-management modifications



Xstream® Series High-Flow Air Filters™

For Off-Road/Motocross Bikes

- Low Restriction Improves Throttle Response
- Excellent Filtration in Dusty Conditions
- Deep Pleats Provides High-Capacity
- Two-Piece Design Eases Installation



Aircharger® Intake Systems**

For ATV/UTV/Side by Sides

- Guaranteed to Increase Horsepower
- Completely Replaces OE Air Box Assembly
- Oversized Filter Provides High-Capacity
- Custom High-Flow Intake Tube



*

SOME INTAKE SYSTEMS ARE NOT LEGAL FOR SALE OR USE ON ANY POLLUTION CONTROLLED MOTOR VEHICLE IN CALIFORNIA OR STATES ADOPTING CALIFORNIA EMISSION PROCEDURES.

See knfilters.com for CARB status on each part for a specific vehicle

**

LEGAL IN CALIFORNIA ONLY FOR RACING VEHICLES WHICH MAY NEVER BE USED, REGISTERED OR LICENSED FOR USE UPON A HIGHWAY.

See knfilters.com for CARB status on each part for a specific vehicle

COMMERCIAL GRADE HEAVY DUTY TRUCK AIR FILTERS

Custom Engineered for Class 6-8 Diesel Trucks

Hybrid Filtration Media – No Oil Required

K&N DIESEL



- Designed to Improve Horsepower
- Easy to Clean

Heavy Duty

- Motorhomes and Recreational Vehicles
- Class 6-8 Trucks and Diesel Equipment
- Bus/Fire/Transport Vehicles

DRYFLOW

AIR FILTER TECHNOLOGY

Commercial Grade Construction

Our diesel air filters are constructed with extra strength and reinforcements to withstand the harsh conditions that can be found in commercial use. The hybrid filter media is pleated and placed between two powder-coated aluminum screens for consistent surface area that can smooth and straighten airflow. The reinforced media is then held between a steel top plate or molded urethane end cap and a molded urethane seal or steel base flange. These ends are molded to a powder-coated steel cage to help withstand the extreme temperatures and pressures that can be present in large turbo diesel applications. This means the filters will not collapse or lose their seal even under the high levels of compression that may be encountered in commercial environments.

A Washable Diesel Air Filter

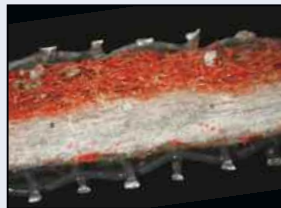
The power, durability and design of turbo diesel engines create unique air filtration demands. K&N® has developed a new line of washable heavy duty air filters using our hybrid filtration media. These depth loading air filters deliver very high filtration efficiency, large dust holding capacity and high airflow, making them perfect for large turbo diesel class 6-8 vehicles.



Spray on degreaser



Spray off dirt



Our robust hybrid filtration media is comprised of lofted non-woven synthetic fibers to create a three-dimensional media capable of providing high airflow and dirt capacity.

Designed To Improve Performance

Our heavy duty diesel air filters are designed to improve performance and durability. When air filter restriction becomes too high, simply wash the filter and it's ready to go again.

Robust Construction – Easy To Clean

These filters are very robust, which means they are incredibly easy to clean and nearly indestructible. After you apply our special degreaser, part number 99-0638, you can use pressure washers, power sprayers, or water hose nozzles to clean the dirt and grime out of the filter. Since they don't use any oil, you can be ready to get back on the road in minutes. The filter does not even have to be completely dry to be re-installed.

Commercial Grade Diesel Air Filter Warranty

These air filters are backed by a three-year 300,000-mile limited warranty. They are meant to be washed and reused over and over.



HEAVY DUTY AIR AND OIL FILTERS

Built Tough for Demanding Conditions

Call 1-877-AIR-FILTER to Select the Filter for Your Truck

K&N® HEAVY DUTY AIR FILTER CROSS REFERENCE

K&N®	BALDWIN	CARQUEST	DONALDSON	FARR / RACOR	FLEETGUARD	FRAM	LUBER-FINER	NAPA	WIX
38-2000S*	PA4653	87818	•	400820014	•	•	•	2818	42818
38-2001S/R*	PA2721	88891	P537447	062891001	AH1104	CA7229	LAF1828	6891	46891
38-2002S/R*	PA2722	88893	P537448	062891002	AH1105	CA7230	LAF1848	6893	46893
38-2003R*	PA2723	88895	P537449	062891003	AH8505	CA7231	LAF1844	6895	46895
38-2006S*	PA3493	88748	P537454	114880003	AH1197	CA8130	LAF1934	6748	46748
38-2007S*	PA3556	88755	P537453	114500003	AH1193	CA6855	LAF2521	6755	46755
38-2008S*	PA2839	88623	P522874	•	AF25668	CA7113	LAF1839	6623	46623
38-2009R*	•	•	•	094973007	•	•	•	•	•
38-2011S*	RS3517	88744	P532966	•	AF25223	CA8193	LAF4498	6744	46744
38-2012S*	RS3518	88556	P527682	•	AF25139M	CA7140	LAF1849	6556	46556
38-2013S*	RS3548	88664	P533930	•	AF25355	CA8466	LAF3930	6664	46664
38-2014S*	PA3555	88759	P537452	114500002	AH1192	CA8129	LAF22026	6759	46759
38-2015R*	RS3539	88843	P534816	•	AF25247	CA8081	LAF4816	6843	46843
38-2016S*	RS4993	•	P613333	•	AF25708M	•	LAF5962	•	49708
38-2017S*	PA2761	88506	R804759	•	AF4697	CA6696	LAF1947	6506	46506
38-2018S*	RS3750	87455	P549644	•	AF25598	CA9009	LAF5873	2455	42455
38-2019S*	RS3530	88745	P533235	•	AF25033	CA7466	LAF1953	6745	46745
38-2020S*	RS4859	88907	P614563	•	AF26667	CA9663	LAF2032	6907	46907
38-2021R*	RS3534	88863	P534925	•	AF25248	CA8231	LAF3302	6863	46863
38-2022S*	RS3516	88842	P534096	•	AF25219	CA7727	LAF2536	6842	46842
38-2023S*	RS4634	87808	P616691	•	AF26363	CA9869	LAF5114MXM	2808	42808
38-2024S*	RS3740	88772	P540388	•	AF25435	CA8598	LAF5722	6772	46772
38-2025S*	RS4642	83126	P606720	•	AF26163M	CA9901	LAF9201	9126	49126
38-2026S*	RS4636	88870	P606503	•	AF25707	CA9346	LAF9099	6870	46870
38-2027S*	RS4862	83088	P613336	•	AF26103	CA10305	LAF6663	9088	49088
38-2028S*	PA2456	87546	P181049	•	AF891	•	LAF6453	2546	42546
38-2029S*	PA2705	88883	P153551	•	AF1968	CA3990	LAF3551	6883	46883
38-2030R*	PA2608	88868	P181186	•	AF996M	CA6918	LAF2608	6868	46868
38-2031S*	RS2863	88433	P527484	•	AF4878	CA7139	LAF1878	6433	46433
38-2032S*	PA2680	88882	P150695	•	AF1969	CA6512	LAF695	6882	46882
38-2033S*	PA3499	88904	P776157	•	AF25549	CA8003	LAF7472	6904	46904
38-2034R*	RS4572	87798	P544243	•	AF25955	CA9758	LAF6243	2798	42798
38-2035S*	RS5434	88932	P543614	•	AF27693	CA9856	LAF5633	6932	46932
38-2036R*	•	•	P614556	•	•	•	LAF4556	•	•
38-2037R*	PA2317	87961	P181008	•	AF852	CA595	LAF6918	2961	42961
38-2038R*	PA2357	87661	P181009	•	AF865	CA596	LAF6880	2661	42661
38-2039R*	PA2493	87941	P181016	•	AF1616	CA2588	LAF8494	2941	42941
38-2040R*	PA2312	87966	P181007	•	AF853	CA1581	LAF7797	2966	42966
38-2042R*	PA2732	•	P522293	•	AF4588M	CA3517	LAF1770	2610	42610
38-2043R*	•	•	P614986	•	•	•	LAF6986	•	WA10009

K&N® HEAVY DUTY WRENCH-OFF® OIL FILTER CROSS REFERENCE

K&N®	BALDWIN	CARQUEST	DONALDSON	FLEETGUARD	FRAM	LUBER-FINER	NAPA	WIX
HP-8000	B495 B495-MPG B495-SS	85971 85971XD	P552100 ELF3998 LF9620	LF3620 LF3671	PH7405A PH7405	LFP2160 LFP2160XL	1971 1971XD	51971 51971XD
HP-8001	B76 B76-SS B7600-SS	85791 85791XD 85791XE	P553191 P554004 ELF7483 ELF7739	LF667 LF3379 LF9667	PH8842 PH49A HPH49A	LFP3191 LFP3191SC LFP3191XL	1791 1791XD 1791XE	51791 51791XD 51791XE
HP-8002	B99 B99-SS	85792 85792XD 85792XE	P554005 P554105 ELF7405	LF691 LF691A LF3374 LF3566 LF9691 LF9691A	PH3335 HPH3335 PH3426	LFP4005 LFP4005RN LFP4005SC LFP4005XL	1792P 1792XD 1792XE	51792 51792XD 51801
HP-8003	BD103 BD103-SS	85748 85748XD	P553000 ELF7300	LF3000 LF3639 LF9009	PH6349A HPH6349A HPH6349	LFP3000 LFP3000XL	1748 1748XD	51748 51748XD
HP-8006	BD7154	84745XD 84746XD	P559000 ELF7900	LF9031 LF9080	•	LFP9001	7745XD 7746XD	57745XD 57746XD
HP-8017	BT427	85602	P558616 ELF7345	LF3345	PH3900	LFP3900	1602	51602
HP-8021	BT237	85459	P554407	LF699 LF787	PH977A	LFP2292	1459	51459
HP-8025	BD7250	84744XD	P550656 P552025	LF9025	PH9971 PH9971A	LFP9025	7744XD	57744XD
HP-8026	P7235	84311	P550528	LF16166	CH9549	LP2017	7311	57311
HP-8027	P7188	84215	P550761	LF3914	CH9260	LP8741	7215	57215
HP-8028	P7230	84213	P550769 ELF7690	LF16046	CH9558	LP5048	7213	57213

*S = standard flow. R = reverse flow. Some air filters are available in both variations.

Cross references should be used for comparison of filters with similar dimensions. The user assumes all responsibility for verifying that filters are compatible with their vehicle before using these products. Damage may result if the user fails to ensure that the filter is compatible and seals properly before installing the product or operating the engine. Please call K&N's Customer Service Department at 1-877-AIR-FILTER for assistance when choosing the appropriate replacement oil filter.

Parts Updated Daily at KNFILTERS.COM or Call 800-858-3333

13

MOBILE AND AUXILIARY POWER EQUIPMENT AIR FILTERS

K&N® Goes Beyond Your Automotive Needs

Most Featuring Dryflow® Filter Media – No Oil Required

Washable and Reusable Air Filters for Generators, Landscape Equipment, Refrigeration Units and More

K&N® offers air filters for many types of mobile and auxiliary power equipment using our Dryflow® air filtration medium. Most of these filters are made from a non-woven synthetic material designed to be used dry with no oil required. This material makes these air filters very easy to clean using power washers, pressure sprayers or hose nozzles. Our Dryflow® filter has a lofted three-dimensional feature which adds depth loading and large dust holding capacities.

Go to knfilters.com to find more K&N® air filters by product listing, cross reference, or dimensions



33-2238



E-4551



Popular Light Industrial Equipment Air Filters - Cross Reference

K&N	DESCRIPTION	OE	BALDWIN	DONALDSON	FLEETGUARD	FRAM	LUBER-FINER	WIX
E-4551	Onan 140-2897 Replacement	1402897	•	•	•	•	•	49697
E-4552	Onan 140-3071 Replacement	1403071	PA4632	P812440	AF25550	CA9248	LAF8388	46449
		•	RS3715	P822686	AF25745	•	•	•
		•	•	•	AH19082	•	•	•
E-4961	Round, Radial Seal, 4-1/8" OD, 10-3/4" HT, 5" HSG	•	RS3704	G057512	AF25551	CA9550	LAF22029	46438
		•	RS3716	P821575	AF25555	•	LAF8195	46439
		•	•	P831424	AF25575	•	•	46439FR
		•	•	•	AH19083	•	•	•
		•	•	•	AH19085	•	•	•

Popular Landscape Equipment Air Filters - Cross Reference

K&N	DESCRIPTION	OE	CRAFTSMAN	HONDA	JOHN DEERE	LOWES	TORO
33-2238	Briggs & Stratton 3-5 HP Horizontal Engine	399959	33055	17211ZL8000	LG491588JD	42868	1191909
		4101	3364	17211ZL8003	PT15853	•	•
		491588	33644	17211ZL8023	•	•	•
		5043B,D,H,K	•	•	•	•	•
33-2240	Briggs & Stratton 18-22 HP Intek V-Twin	4209	33926	•	GY20575	188023	•
		4223	•	•	GY21056	•	•
		499486	•	•	MIU11286	•	•
		5063B,D,H	•	•	•	•	•
		5069H,K	•	•	•	•	•
		695667	•	•	•	•	•
		698754	•	•	•	•	•
33-2301	Honda GX610K1, GX620K1, GX670, GXV610K1, GXV670, & EB11000K1	17210ZJ1841	•	•	•	•	•
		17210ZJ1842	•	•	•	•	•
		17218ZJ1840	•	•	•	•	•
33-2421	SV470-620, 15-22 HP	2008302	•	•	•	249504	98018
		2008306	•	•	•	•	•
		•	•	•	•	•	•
E-4518	Kohler CH18, CH25, & CV25 Models	2408303	•	•	•	•	•
E-4665	Briggs & Stratton 351400	392642	24150	•	LG394018JD	43612	394018S
		394018	•	•	•	•	•
		4135	•	•	•	•	•
		5050B,H,K	•	•	•	•	•
E-4963	SV710, 20-27 HP	3208303	33180	•	MIU11943	249507	•
E-4965	Kawasaki FS481V-730V & FR651-FR691V, 22-26HP	110137047	•	•	•	•	•
		110137049	•	•	•	•	•
		490200M022	•	•	•	•	•
		999990384	•	•	•	•	•

Cross references should be used for comparison of filters with similar dimensions. The user assumes all responsibility for verifying that filters are compatible with their vehicle before using these products. Damage may result if the user fails to ensure that the filter is compatible and seals properly before installing the product or operating the engine. Please call K&N's Customer Service Department at 1-800-858-3333 for assistance when choosing the appropriate replacement air filter.

THE ORIGINAL PERFORMANCE
FILTER OF NASCAR



Dedicated to NASCAR® Racing

K&N® traces its involvement with NASCAR® back to the 1970s, the early days of supplying parts for the NASCAR® Sprint Cup Series™ races at the old Riverside Speedway. And our dedication to racing is strengthened each time we develop our products at racetracks, and support race teams at all levels of NASCAR® competition.

As the title sponsor of the NASCAR® K&N Pro Series® East and West, K&N® is once again helping to support developing drivers. This mirrors our 25 year commitment to grass-roots racing and local event sponsorship. This is the premier developmental series created by NASCAR® to help drivers learn the skills they will need to be able to compete at the national event level. So if you want all the thrills and chills of NASCAR® in a smaller setting, go check out a NASCAR® K&N Pro Series® race at one of the tracks near you.



NASCAR® is a registered trademark of the National Association for Stock Car Auto Racing, Inc.

From NASCAR® to Your Car

Now you can use the same air filter technology used in NASCAR® to improve the performance of your car. K&N® high flow air filters are specially designed to reduce airflow restriction and improve horsepower by using layers of cotton instead of paper media. Cotton breathes easier and is washable. One K&N® high flow replacement air filter can last for the life of your car and only needs to be cleaned every 50,000 miles under normal driving conditions. Better performance and longer life from K&N®, the original performance air filter of NASCAR®.



2016 NASCAR® K&N PRO SERIES® SCHEDULE

Pro Series West		Pro Series East	
Mar 19	Irwindale, CA	Feb 14	New Smyrna, FL
Apr 2	Bakersfield, CA	Mar 12	Mobile, AL
May 7	Tucson, AZ	Mar 26	Greenville, SC
May 21	San Bernardino, CA	Apr 16	Bristol, TN
Jun 11	Dacono, CO	Apr 30	Alton, VA
Jun 25	Sonoma, CA	May 30	Woodford, VA
Jul 9	Post Falls, ID	Jun 17	Stafford, CT
Jul 29	Newton, IA	Jul 2	Columbus, OH
Aug 13	Monroe, WA	Jul 16	Loudon, NH
Aug 27	Roseburg, OR	Jul 29	Newton, IA
Sep 10	Toelle, UT	Aug 5	Watkins Glen, NY
Sep 11	Toelle, UT	Sep 5	Greenville, SC
Sep 24	Meridian, ID	Sep 17	Millville, NJ
Oct 15	Roseville, CA	Sep 30	Dover, DE



UNIVERSAL/CLAMP-ON AIR FILTERS

Universal Air Filter Specifications

K&N® universal air filters are designed and manufactured for a wide variety of applications. Regardless of the angle, offset, or diameter of the air intake, there is probably a K&N® universal air filter available for your equipment. All filters are constructed with ultra-strong molded pliable rubber flanges which absorb vibration and allow for secure attachment, and can also be stretched up to 1/16" (1.5 mm) to fit in-between sizes. K&N® universal air filters are available in round, tapered and oval designs, for just about any special application.



OVER 800 SIZES AVAILABLE
See pages 43-62 for complete dimensions

POPULAR SPECIALTY AIR FILTERS

ROUND TAPERED	FLANGE INSIDE DIA.	HEIGHT	OVAL STRAIGHT	FLANGE INSIDE DIA.	HEIGHT	ROUND STRAIGHT	FLANGE INSIDE DIA.	HEIGHT	OVAL TAPERED	FLANGE INSIDE DIA.	HEIGHT
RU-4960	2 3/4"	5 1/2"	RU-1820	2"	2 3/4"	RU-0210	1 11/16"	5"	RU-2780	2 7/16"	2 3/4"
RE-0930	3"	6"	RU-1390	2 7/16"	7"	RU-0800	2 7/16"	4"	RC-5040	3 1/2"	5 1/2"
RE-0870	4"	9"	RA-0770	2 9/16"	3"	RB-0910	3"	5"	RF-1040	4"	7 1/2"
RU-2800	5"	7"	RU-3620	3 1/2"	7"	RU-2820	3"	6 1/2"	RC-5102	4"	8 15/16"
RF-1041	6"	7 1/2"									

Black Universal Air Filters

K&N® black universal air filters are made from Dryflow® oil-free synthetic media. These low restriction clamp-on air filters are designed and manufactured for a wide variety of applications. When dirty they can be easily washed using K&N® synthetic air filter cleaner.



See page 481 for synthetic air filter cleaner

PART#	FLANGE INSIDE DIAMETER	HEIGHT	BASE OUTSIDE DIAMETER	TOP OUTSIDE DIAMETER
RU-5171HBK	4"	8"	8"	6 5/8"
RU-5283HBK	4 1/2"	8"	8"	6 5/8"
RU-3102HBK	6"	6"	7 1/2"	5 1/4"
RU-5177HBK	6"	7 1/2"	9"	6 5/8"
RU-3101HBK	6"	8"	7 1/2"	5 1/4"



These products are not street legal on vehicles with regulated emission control systems unless used as a direct replacement air filter for a street legal intake system.

UNIVERSAL/CUSTOM END CAP CLAMP-ON FILTERS

Composite

With advanced composite technology, carbon fiber provides incredible strength with minimal weight. Carbon fiber provides 1/3 less weight than a conventional filter top. Smooth, glass like appearance provides the ultimate in finish, fit, and function.



RF-1047

FLANGE DIAMETER		BASE OUTSIDE DIAMETER		TOP OUTSIDE DIAMETER		HEIGHT		FLANGE LENGTH		DESCRIPTION	AIR FILTER #	NOTE	FILTER WRAP PART #
INCH	MM	INCH	MM	INCH	MM	INCH	MM	INCH	MM				
1 15/16	49	3	76	3	76	3	76	5/8	16	Round Straight	RP-5164		22-8008PK
1 15/16	49	3	76	3	76	4	102	5/8	16	Round Straight	RP-5119		22-8009PK
3	76	6	152	5	127	6	152	1	25	Round Tapered	RP-5044		•
3	76	6	152	5	127	6	152	1 3/4	44	Round Tapered	RF-1047		25-3900
3 3/8	86	6	152	4 1/2	114	9	229	1/2	13	Round Tapered	RP-5118		RC-3690DK
3 1/2	89	5 1/2	140	4 1/2	114	6 1/2	165	1 1/4	32	Round Tapered	RP-4630		RC-4630DK
3 1/2	89	12 x 6	305 x 152	9 15/16 x 3 15/16	252 x 100	6	152	15/16	24	Oval Tapered	RF-1038	1	•
3 7/8	98	12 x 6	305 x 152	9 15/16 x 3 15/16	253 x 100	6	152	15/16	24	Oval Tapered	RP-5070	1	•
3 7/8	98	12 x 6	305 x 152	9 15/16 x 3 15/16	254 x 100	6	152	15/16	24	Oval Tapered	RP-5115		•
3 7/8	98	12 x 6	305 x 152	9 15/16 x 3 15/16	255 x 100	7	178	15/16	24	Oval Tapered	RP-5103		RP-5103DK
4	102	5 3/8	137	4	102	5 1/16	129	5/8	16	Round Tapered	RP-4930		RP-4660DK
4	102	5 3/8	137	4	102	5 1/2	140	5/8	16	Round Tapered	RP-4660		RP-4660DK
4	102	5 3/8	137	4	102	6 1/2	165	5/8	16	Round Tapered	RP-4980		RC-5149DK
4	102	5 3/8	137	4	102	7	178	5/8	16	Round Tapered	RP-4970		22-8032PK
4 1/8	105	18 3/4 x 5	476 x 127	16 3/4 x 3	425 x 76	4 13/16	122	2	51	Oval Tapered	RP-5135		RP-5135DK
4 1/4	108	5 7/8	149	4 1/2	114	6 3/4	171	5/8	16	Round Tapered	RP-5167		RF-1037DK
4 1/2	114	5 7/8	149	4	102	6	152	5/8	16	Round Tapered	RP-5101		RU-5168DK
4 1/2	114	5 7/8	149	4 1/2	114	6	152	5/8	16	Round Tapered	RP-4740		RF-1023DK
5	127	6 1/2	165	4 1/2	114	5 5/8	143	1	25	Round Tapered	RP-5113		RU-5147DK
6	152	7 1/2	191	4 1/2	114	4	102	1	25	Round Tapered	RP-4600		22-8036PK
6	152	7 1/2	191	5	127	6	152	1	25	Round Tapered	RP-5168		•
8 3/4 in x 3 1/4	222 x 83	18 3/4 x 5	476 x 127	16 3/4 x 3	425 x 76	4 13/16	122	2	51	Oval Tapered	RP-5161		RP-5135DK

Inverted

This unique approach to filter design and concept utilizes a filtering top that actually inverts, dropping into the cylinder of the filter! Surface area is greatly increased and designed to provide more filtration than other comparably sized products.



RR-2802

RR-2801

RR-2803

FLANGE INSIDE DIAMETER		BASE OUTSIDE DIAMETER		TOP OUTSIDE DIAMETER		HEIGHT		FLANGE LENGTH		DESCRIPTION	COLOR	AIR FILTER #
INCH	MM	INCH	MM	INCH	MM	INCH	MM	INCH	MM			
2 3/4	70	5 7/8	149	5 1/4	133	5	127	3/4	19	Round Tapered	Red	RR-2801
2 3/4	70	5 7/8	149	5 1/4	133	5	127	3/4	19	Round Tapered	Blue	RR-2802
2 3/4	70	5 7/8	149	5 1/4	133	5	127	3/4	19	Round Tapered	Polished	RR-2803
3	76	6	152	5 1/4	133	5	127	1 3/4	44	Round Tapered	Red	RR-3001
3	76	6	152	5 1/4	133	5	127	1 3/4	44	Round Tapered	Blue	RR-3002
3	76	6	152	5 1/4	133	5	127	1 3/4	44	Round Tapered	Polished	RR-3003
4, 3 1/2, 3	102/89/76	6	152	4 3/4	121	5 1/2	140	1 1/8	29	Adjustable Flange	Chrome/Blue	RG-1001BL
4, 3 1/2, 3	102/89/76	6	152	4 3/4	121	5 1/2	140	1 1/8	29	Adjustable Flange	Chrome/Red	RG-1001RD
4, 3 1/2, 3	102/89/76	6	152	4 3/4	121	5 1/2	140	1 1/8	29	Adjustable Flange	Chrome/White	RG-1001WT
4, 3 1/2, 3	102/89/76	6	152	4 3/4	121	9 1/2	241	1 1/8	29	Adjustable Flange	Chrome/Red	RG-1002RD

Titanium

When it comes to exotic race materials, titanium is well known for its lightweight and increased strength to weight ratio. Offering lighter weights than conventional filter tops and more rigidity, K&N® titanium top filters are the next generation in filter design.



RT-4590

FLANGE INSIDE DIAMETER		BASE OUTSIDE DIAMETER		TOP OUTSIDE DIAMETER		HEIGHT		FLANGE LENGTH		DESCRIPTION	AIR FILTER #	FILTER WRAP PART #
INCH	MM	INCH	MM	INCH	MM	INCH	MM	INCH	MM			
4 1/2	114	5 7/8	149	4 1/2	114	5	127	5/8	16	Round Tapered	RT-4610	25-3900
6	152	7 1/2	191	4 1/2	114	4	102	1	25	Round Tapered	RT-4600	22-8036PK
6	152	7 1/2	191	4 1/2	114	5	127	1	25	Round Tapered	RT-4590	22-8049DK

Notes: 1) Filter top has a 1 1/8" vent hole.

These products are not street legal on vehicles with regulated emission control systems unless used as a direct replacement air filter for a street legal intake system.

Parts Updated Daily at KNFILTERS.COM or Call 800-858-3333

VENT FILTERS AND BREATHERS



The NASCAR® K&N Pro Series®

As the title sponsor of the NASCAR® K&N Pro Series® East and West, K&N® is once again helping to support developing drivers. This mirrors our 25 year commitment to grass-roots racing and local event sponsorship. This is the premier developmental series created by NASCAR® to help drivers learn the skills they will need to be able to compete at the national event level. So if you want all the thrills and chills of NASCAR® in a smaller setting, go check out a NASCAR® K&N Pro Series® race at one of the tracks near you.

Proud Sponsor of the



Steel Base Crankcase Vent Filters

One Piece Design For Competition Use

Steel base crankcase vent filters have vent tubes added to their base. Filters consist of a one piece design with a rubber or chrome top. Filters with mounting studs can be mounted remotely, but require vent hoses and clamps. Filters mounted direct can be pressed into rubber grommets in valve covers. All baseplates are chrome plated and tubes are zinc.

VENT DIAMETER	2" O.D.; 1 1/2" H RUBBER TOP	3" O.D.; 2" H RUBBER TOP	2" O.D.; 1 1/2" H CHROME TOP W/STUD	3" O.D.; 2" H CHROME TOP	3" O.D.; 2 1/2" H CHROME TOP
3/8" O.D.	62-1000	•	62-1090	•	•
1/2" O.D.	62-1010	62-1050	62-1100	62-1140	•
1/2" O.D.	62-1015 ²	•	•	•	•
1/2" O.D.	62-1250 ¹	•	62-1300 ¹	•	•
5/8" O.D.	62-1020	62-1060	62-1110	62-1150	•
3/4" O.D.	62-1030	62-1070	62-1120	62-1160	•
1" O.D.	62-1040	62-1080	62-1130	62-1170	62-1590WT ³

Notes: 1) Special 3" H Filter; 2) 2" Chrome Top.; 3) White media. Includes 1 1/4" grommet.



Rubber Base Crankcase Vent Filters

Designed to clamp directly to metal or plastic tubing. Ideal for engines, transmissions, oil and gas tanks on racing vehicles.

FLANGE I.D.	FILTER O.D.	FILTER HEIGHT	RUBBER TOP	CHROME TOP	CUSTOM TOP
5/16"	1 3/8"	1 1/8"	•	62-2470	•
3/8"	2"	1 1/2"	•	62-1320	62-1570
3/8" or 1/2"	2"	1 3/4"	•	62-1600 ¹	•
1/2"	2"	1 1/2"	•	62-1330	•
9/16"	1 3/8"	1 1/8"	•	62-2480	•
5/8"	2"	1 1/2"	•	62-1340	•
3/4"	1 3/8"	1 1/8"	62-1560	•	•
3/4"	2"	1 1/2"	•	62-1360	•
3/4"	2"	2 1/2"	RU-3630	•	•
1"	2"	1 1/2"	•	62-1370	•
1"	3"	2 1/4"	62-1410	62-1420	•
1 1/4"	3"	2 1/2"	62-1380	62-1390	62-1580
1 3/8"	3"	2 1/2"	62-1430	62-1440	•
1 1/2"	3"	2 1/2"	62-1450	62-1460	•
1 3/4"	3"	2 1/2"	62-1470	62-1480	•

Notes: 1) Available in three colors. Add BL to end for blue, RD for red, or WT for white.



Rubber Mounting Flange Covered Air Filters

Designed for round intake flanges. Easy to install. Rubber flange design grips securely. The flange can be stretched to fit in between sizes. Aluminum cover is anodized for durability.

FLANGE I.D.	BONNET O.D.	ELEMENT SIZE	AIR FILTER ONLY	ASSEMBLY#
1"	4"	3 1/2" OD x 3 1/2" H	RE-0200	54-1010
1 1/4"	4"	3 1/2" OD x 3 1/2" H	RE-0220	54-1020
1 1/2"	4"	3 1/2" OD x 3 1/2" H	RE-0240	54-1030
1 3/4"	4"	3 1/2" OD x 3 1/2" H	RE-0260	54-1040
2"	4"	3 1/2" OD x 3 1/2" H	RE-0280	54-1050
2 1/2"	5"	5" OD x 2 3/4" H	RE-0380	54-1110



Legal in California only for racing vehicles which may never be used, registered or licensed for use upon a highway. See knfilters.com for CARB status on each part for a specific vehicle. These filters are not applicable, nor intended for use on aircraft.

NASCAR® is a registered trademark of the National Association for Stock Car Auto Racing, Inc.

Crankcase Vent Filters With and Without Deflector Shield

Universal mounting, for a wide variety of valve covers. All shields and top plates are chrome-plated for beauty and durability.



Style 1

Universal "push-in" filter for all valve covers. Note: Not recommended to be used as an oil filter plug, as repeated removal will damage the filter.

VENT FILTER SIZE	PART#
3" OD; 2 1/2" H; 1 1/4" hole, w/shield	62-1516
3" OD; 2 1/2" H; 1 1/4" hole, w/o shield	62-1490
2" OD; 2 1/4" H; 1 1/4" hole, w/o shield	62-1485
1 1/8" FLG-OD, 9/16" FLG ID, 2" OD, 2 1/8" H	62-1230

Style 4

Nylon reinforced adapter plus a 3" O.D. x 2 1/2" tall filter, with or without deflector shield. 3" tall universal mount, requires a 1 1/4" I.D. hole, and a 2" square, flat surface. Comes complete with mounting hardware.

DESCRIPTION	PART#
Without deflector shield	85-1221
With deflector shield	85-1222

Style 2

Universal "clamp-on" for valve covers with existing vent tubes. All filters are 3" O.D. with deflector shields and 2 1/2" tall.

VENT FLANGE DIAMETER	PART#
1" I.D.	62-1511
1 1/4" I.D.	62-1512
1 3/8" I.D.	62-1513
1 1/2" I.D.	62-1514
1 3/4" I.D.	62-1515

Ford Screw in Breather

This filter is designed to screw directly into threaded Ford valve covers with 1 1/4-7 thread pitch. Filter dimensions: 3" O.D. Chrome top 1 3/4" height. Flange dimension: 1 1/4" O.D., 3/4" L.

DESCRIPTION	PART#
Ford screw in breather	62-1495

Style 3

Zinc plated steel base plate with attached vent tube. Designed to push in to existing rubber breather grommets. All filters are 3" O.D. with deflector shields and 2 1/2" tall.

GROMMET SIZE	PART#
1/2" I.D.	62-1517
5/8" I.D.	62-1518
3/4" I.D.	62-1519
1" I.D.	62-1520

Nylon Reinforced 3" Tall Valve Cover Adapters

Requires a 1 1/2" I.D. flanged filter (purchased separately).

DESCRIPTION	PART#
Screws into Ford valve covers	85-1200
Screws into late GM valve covers	85-1210
Universal mount (see style 4)	85-1220

Tower Base Covered Crankcase Vent Filter with Multi-Hose Vents

Designed for VW and other like-size engines needing maximum crankcase breathing filtration. Saves blow-by oil while relieving crankcase pressure. K&N® air filter stops dirt from reaching oil supply. Bottom fitting should connect to engine's lowest pressure point (such as a rocker cover). Top side fitting should connect to engine's highest pressure point (such as the crankcase).

Cast Aluminum Tower: Universal mount, internal oil baffles, three 3/8" NPT outlets for braided hose fittings.

Chromed Steel Tower: No inner baffles. Adjustable steel mounting bracket and three 1/2" vent tubes for use with rubber slip-on hose.



TOWER STYLE	TOWER DIMENSIONS	NUMBER OF OUTLETS	COVER DIAMETER & HEIGHT	ELEMENT DIAMETER & HEIGHT	REPLACEMENT ELEMENT PART#	COMPLETE ASSEMBLY PART#
Cast Aluminum	2 1/8" D x 4 3/4" H	3 - 3/8" NPT	4" OD x 3 1/2" H	3 1/2" x 3 1/2"	RE-0280	62-1400
Chromed Steel	2" D x 4" H	3 - 1/2" hose	4" OD x 3 1/2" H	3 1/2" x 3 1/2"	RE-0280	62-1210

Flat Base Covered Crankcase Vent Filters Remote Mount

Remote mount allows use of 1/2" or 3/8" ID vent hoses. Comes with satin anodized aluminum cover 4" in diameter and 3 1/2" high. Air filter is removable for easy servicing. Includes universal type mounting bracket for bolt-on or weld-on.

NUMBER OF OUTLETS	COVER DIAMETER & HEIGHT	ELEMENT DIAMETER & HEIGHT	REPLACEMENT ELEMENT PART#	COMPLETE ASSEMBLY PART#
2 - 1/2" hose	4" OD x 3 1/2" H	3 1/2" x 3 1/2"	E-3050	62-1180
3 - 1/2" hose	4" OD x 3 1/2" H	3 1/2" x 3 1/2"	E-3050	62-1190
3 - 3/8" hose	4" OD x 3 1/2" H	3 1/2" x 3 1/2"	E-3050	62-1200

Legal in California only for racing vehicles which may never be used, registered or licensed for use upon a highway. See knfilters.com for CARB status on each part for a specific vehicle. These filters are not applicable, nor intended for use on aircraft.



RX-3770

XSTREAM® Air Filters Designed For Serious Racers

Xstream® air filters take performance to the next level with innovative K&N® airflow technology. They provide awesome airflow and outstanding filtration. In any form of racing, racers need all the protection and airflow they can get. Two styles of Xstream® air filters are available: standard tapered or reverse tapered (top is larger diameter).

FLANGE INSIDE DIAMETER		BASE OUTSIDE DIAMETER		TOP OUTSIDE DIAMETER		HEIGHT		FLANGE LENGTH		FLANGE TYPE	DESCRIPTION	AIR FILTER #	NOTE	FILTER WRAP PART #
INCH	MM	INCH	MM	INCH	MM	INCH	MM	INCH	MM					
2 13/32	61	4 23/32	120	3 31/32	101	3 3/4	95	3 11/32	85	Centered	Round Tapered	RX-5179		•
2 7/16	62	4	102	4	102	4 3/4	121	3/4	19	Centered	Round Straight	RX-4040-1	1	•
2 7/16	62	4 1/2	114	4	102	6 1/8	156	3	76	Angled - 20°	Round Tapered	RX-3800		RX-3820PK
2 7/16	62	4 1/2	114	6	152	6 1/8	156	3	76	Angled - 20°	Reverse Tapered	RX-3770	1	RX-3810DK
2 7/16	62	4 1/2	114	6	152	6 1/8	156	7/8	22	Centered	Reverse Tapered	RX-3810XD	2	RX-3810DK
2 1/2	64	4 1/2	114	4	102	3 13/16	97	3/4	19	Centered	Round Tapered	RX-4010		•
2 1/2	64	6	152	5	127	5 1/2	140	2	51	Centered	Round Tapered	RX-4950	1	RX-4990DK
2 1/2	64	6	152	5	127	6 1/2	165	2	51	Centered	Round Tapered	RX-4860	1	RX-4730DK
2 3/4	70	6	152	5	127	5 1/2	140	2	51	Centered	Round Tapered	RX-4960	1	RX-4990DK
2 3/4	70	6	152	5	127	6 1/2	165	2	51	Centered	Round Tapered	RX-4870		RX-4730DK
2 7/8	73	4 1/4	108	4	102	4 3/4	121	15/16	24	Centered	Round Tapered	RX-4020-1	1	•
3	76	4 1/2	114	6	152	4 5/8	117	7/8	22	Centered	Reverse Tapered	RX-3900-1	1	•
3	76	5	127	5	127	7	178	5/8	16	Centered	Round Straight	RX-2820	1, 3	22-8044PK
3	76	6	152	4	102	8 11/16	221	15/16	24	Centered	Round Tapered	RX-3990-1	1	•
3	76	6	152	5	127	5 9/16	141	1 7/8	48	Centered	Round Tapered	RX-4990	1	RX-4990DK
3	76	6	152	5	127	6 1/2	165	1 7/8	48	Centered	Round Tapered	RX-4730	1	RX-4730DK
3	76	6	152	5	127	6 1/2	165	1 7/8	48	Centered	Round Tapered	RX-4730XD	2	RX-4730DK
3	76	8 x 6	203 x 152	5	127	6 1/2	165	1 7/8	48	Centered	Oval Tapered	RX-4750	1	RF-1042DK
3 1/2	89	4	102	4	101.6	5 3/4	146	3/4	19	Centered	Round Straight	RX-4140		RU-1470PK
3 13/16	97	6 13/16	173	6	152	2 1/8	54	3/4	19	Centered	Round Tapered	RX-4130-1	1	•

Notes: 1) Filter has molded-in velocity stack. 2) Extreme duty off-road filter. 3) Open style top.

For Racing Vehicles Using VW Engines

Universal air filter designed for 2 1/16" VW Solex and 2 9/16" Zenith-Holley carburetors. One piece construction with a strong rubber base and flange that clamps directly to the carburetor. Some units have 1/2" vent kits included, for easy installation of vent hoses. Choice of show quality chrome or rubber top. Chrome adds a touch of class, rubber is great for rugged off-road use. Three shapes or styles and numerous heights available - see listings below.



VW Solex Carb With 2 1/16" Flange

FLANGE I.D.	FILTER DIMENSIONS	FILTER HEIGHT	RUBBER PART#	CHROME PART#
ROUND CENTER MOUNT				
2 1/16"	3 1/2"	4"	RA-0500	RA-050V
2 1/16"	3 1/2"	5"	RA-0510	N/A
2 1/16"	3 1/2"	6"	RA-0520	N/A
2 1/16"	4 1/2"	4"	RA-0530	N/A
2 1/16"	4 1/2"	5"	RA-0540	N/A
2 1/16"	5 1/2"	2"	RA-0550*	RA-055V*
2 1/16"	5 1/2"	3"	RA-0560*	RA-056V*
2 1/16"	5 1/2"	4"	RA-0570*	RA-057V*
2 1/16"	5 1/2"	5"	RA-0580*	RA-058V*
ROUND OFFSET MOUNT				
2 1/16"	6"	2"	RA-0450*	RA-045V*
2 1/16"	6"	3"	RA-0460*	RA-046V*
2 1/16"	6"	4"	RA-0470*	RA-047V*
OVAL OFFSET MOUNT				
2 1/16"	4 1/2" x 7"	1 1/2"	RA-0700*	RA-070V*
2 1/16"	4 1/2" x 7"	2"	RA-0710*	RA-071V*
2 1/16"	4 1/2" x 7"	3"	RA-0720*	RA-072V*

*1/2" vent comes as standard equipment.

Zenith-Holley Carb With 2 9/16" Flange

FLANGE I.D.	FILTER DIMENSIONS	FILTER HEIGHT	RUBBER PART#	CHROME PART#
ROUND CENTER MOUNT				
2 9/16"	4 1/2"	4"	RA-0600	N/A
2 9/16"	4 1/2"	5"	RA-0610	N/A
2 9/16"	5 1/2"	2"	RA-0620*	RA-062V*
2 9/16"	5 1/2"	3"	RA-0630*	RA-063V*
2 9/16"	5 1/2"	4"	RA-0640*	N/A
2 9/16"	5 1/2"	5"	RA-0650*	N/A
ROUND OFFSET MOUNT				
2 9/16"	6"	2"	RA-0660*	RA-066V*
2 9/16"	6"	3"	RA-0670*	RA-067V*
2 9/16"	6"	4"	RA-0680*	RA-068V*
OVAL OFFSET MOUNT				
2 9/16"	4 1/2" x 7"	1 1/2"	RA-0750*	RA-075V*
2 9/16"	4 1/2" x 7"	2"	RA-0760*	RA-076V*
2 9/16"	4 1/2" x 7"	3"	RA-0770*	RA-077V*

Carburetor Adapters

For remote mounting of air filter using smooth bore 3" I.D. hose. Do not use accordion flex hose as it restricts airflow and is difficult to seal properly.

CARBURETOR	FLANGE SIZE	ADAPTER O.D.	PART#
VW Solex	2 1/32"	3"	85-1010

Legal in California only for racing vehicles which may never be used, registered or licensed for use upon a highway. See knfilters.com for CARB status on each part for a specific vehicle. These filters are not applicable, nor intended for use on aircraft.

Individual Round Style Stacks

"Early Type" Fuel Injectors (Single Stacks) for Chevrolet, etc.

Filters designed to fit with cut velocity stacks, or straight pieces of exhaust tubing. Rubber filter bases come with molded in velocity stack type radius and step, for smooth bore down from element to tube. Each filter has a rubber top with a K&N® logo.

AIR FILTER MOUNTING FLANGE INSIDE DIA.	INJECTOR BORE SIZE INSIDE DIA.	AIR FILTER DIA. X LENGTH IN INCHES	STRAIGHT NECK MOUNTING FLANGE PART#	5° ANGLE NECK MOUNTING FLANGE PART#
1 7/8" (47.5mm)	1 13/16" (46mm)	3 1/2 x 4	RD-0450	N/A
		3 1/2 x 5	RD-0460	N/A
		3 1/2 x 6	RD-0470	N/A
2 1/8" (54mm)	2 1/16" (52.5mm)	3 1/2 x 4	RD-0500	RB-0500
		3 1/2 x 5	RD-0510	RB-0510
		3 1/2 x 6	RD-0520	RB-0520
2 1/4" (57mm)	2 3/16" (55.5mm)	3 1/2 x 4	RD-0600	RB-0600
		3 1/2 x 5	RD-0610	RB-0610
		3 1/2 x 6	RD-0620	RB-0620
2 1/2" (63.5mm)	2 7/16" (62mm)	3 1/2 x 4	RD-0700	RB-0700
		3 1/2 x 5	RD-0710	RB-0710
		3 1/2 x 6	RD-0720	RB-0720
2 5/8" (66.5mm)	2 9/16" (65mm)	4 x 4	N/A	RB-0800
		4 x 5	N/A	RB-0810
3" (76mm)	2 15/16" (74.5mm)	4 1/2 x 4	N/A	RB-0900
		4 1/2 x 5	N/A	RB-0910



RD-0620

Each filter sold individually.



Go to page 481 for air filter cleaning accessories

Kinsler Non-Siamesed Fuel Injector Stacks

Round filters fit uncut ram tube bells and clamp securely to the lip. Will fit any injection setup that has a minimum of 4 1/4" center to center, and parallel ram tubes. Each filter has a rubber top with a K&N® logo.

RAM TUBE	FILTER SIZE	INJECTOR MODEL#	PART# SINGLE
3 7/8"	4 1/4" B, 4" T, 6" H	N/A	RD-6000
3 5/8"	4" B, 3 3/4" T, 6" H	"351-F-8"	RD-6010
3 7/8"	4 1/4" B, 3 1/2" T, 4 1/4" H	N/A	RD-6020



RD-6000

Each filter sold individually.

Hilborn 4, Injectors Fitted to Honda & Kawasaki Engines in T.Q. Midgets

Air filters designed to fit over stock, uncut ram tubes. Filters come complete with rubber mounting adapters. To install, fit rubber adapters around ram tube bases and fit filters over ram tubes and clamp onto adapters in desired position. Air filters come with chrome end caps. Fits #45-K-4A and #45-H-4B Hilborn injectors and are packaged in sets of four. Filters measure 3" O.D. x 6" L and fit 1 1/2" Ram Tubes. Part# RD-1004



Hilborn Injectors for Blowers & Turbos

Air filters designed to fit over stock, uncut ram tubes. Filters come complete with rubber mounting adapters. To install, fit rubber adapter around ram tube base. On early screw-on ram tube type, cut adapter with razor blade and wrap around tube. Fit filter over ram tube and clamp onto adapter in desired position. Air filters come with chrome end caps.

DESCRIPTION	PART#
Hilborn Injector #525, for Magnuson Super Chargers. Used on American V-Twin and V.W. blown engines. Filter fits 2 1/8" ram tube. Measures 6" dia. top, 5 1/2" dia. base, 6" long	RD-1100
Hilborn Injector #523, for 60 c.i. Magnuson Blower Head. Filter fits 2 1/2" ram tube. Measures 7" dia. top, 7" dia. base, 6" long	RD-1200
Hilborn Injector #524, for 80 c.i. Magnuson Blower Head. Filter fits 3" ram tube. Measures 7" dia., 6" long	RD-1300
Hilborn Injector #F414A, for Turbocharged tractor, air filter clamps over 4" lip on cast ram tube. Air filter measures 7" dia., 6" long	RD-1400
Hilborn Injector #F414A, for Turbocharged tractor, air filter clamps over 4" lip on cast ram tube. Air filter measures 7" dia., 8" long	RD-1410



RD-1400

Note: 1) Rubber mounting adapter not required. Filter mounts directly to injector.

Legal in California only for racing vehicles which may never be used, registered or licensed for use upon a highway. See knfilters.com for CARB status on each part for a specific vehicle. These filters are not applicable, nor intended for use on aircraft.

Dual Oval Style Stacks

"Late Type" Hilborn Siamese Stacks

Filters are designed to be used with stock, uncut, siamesed ram tubes. Comes with removable aluminum top plate. To install, push Ram Tubes through rubber base and clamp at desired height. Oval top plate measures 9"L x 5 1/2"W, total height is 6 3/4".

INJECTOR TUBE OUTSIDE DIAMETER	INJECTOR INSIDE DIAMETER	INJECTOR MODEL#	CENTER TO CENTER MEASUREMENT OF BORES	PART#
2 1/8" (54mm)	2 1/16" (52.5mm)	"R"	2.44"	RD-4200
2 1/4" (57mm)	2 3/16" (55.5mm)	"Q"	2.44"	RD-4400
2 1/2" (63.5mm)	2 7/16" (62mm)	"P"	2.70"	RD-4600**
2 5/8" (66.5mm)	2 1/2" (63.5mm)	"327-C-84"	2.70"	RD-4650
2 3/4" (70mm)	2 5/8" (66.5mm)	"327-C-8"	2.87"	RD-4669***
3" (76mm)	2 15/16" (74.5mm)	"F"	3.20"	RD-4800
3 1/8" (79.4mm)	3" (76mm)	"396-C-8M"	3.20"	RD-4850

**Adapter kit needed to convert air cleaner when equipped with 2 1/4" restrictor stacks (Part# 85-4600, kit includes 8 adapters).

***Packaged four per box. When ordering singles specify Part# RD-4660 right side or Part# RD-4670 left side.



RD-4600*

Kinsler-Siamese Stacks

Air filters are designed for use with the Kinsler fuel injection system for Pontiac and Chevrolet small block V8. Air filters come with removable top plate, to install, push injector tubes through rubber base and clamp at desired height. Oval top plate is 9"L x 5 1/2"W. Total height of air filter is 6 3/4".

INJECTOR TUBE OUTSIDE DIAMETER	INJECTOR INSIDE DIAMETER	INJECTOR MODEL#	CENTER TO CENTER MEASUREMENT OF BORES	PART#
2 3/8" (58mm)	2 1/4" (57mm)	N/A	2.80"	RD-5000
2 9/16" (65mm)	2 7/16" (62mm)	N/A	2.80"	RD-5010
2 5/8" (66.5mm)	2 1/2" (63.5mm)	N/A	2.80"	RD-5020



RD-5020*

"Late Type" Hilborn and Other Injectors for VW Air-Cooled Engines

Air filters designed to fit over stock, uncut ram tubes. Comes with removable aluminum top plate. To install, push ram tubes through rubber base and clamp at desired height. Oval top plate measures 9"L x 5 1/2"W, total height is 6 3/4".

AIR CLEANER MOUNTING FLANGE INSIDE DIAMETER	INJECTOR BORE SIZE INSIDE DIAMETER	HILBORN MODEL#	CENTER TO CENTER MEASUREMENT OF BORES	PART#
1 3/4" (44.5mm)	1 11/16" (43mm)	#1600 V-4	3.312"	RD-3400
1 7/8" (48mm)	1 13/16" (46mm)	31600 V-4B	3.312"	RD-3500
2 1/8" (54mm)	2 1/16" (52.5mm)	#2000 V-4	3.375"	RD-3600
1 3/4" (44.5mm)	1 11/16" (43mm)	ARPM Rotary F/I	2.700"	RD-4900



RD-3400*

"Early Type" Hilborn and Other Injectors for VW Air-Cooled Engines

Air filters designed to fit over stock, uncut ram tubes. Fits early type tubes with right angle mounting flange, held on with four screws. Cleaners come complete with rubber mounting adapters. To install, cut adapter with a razor blade and wrap around ram tube. Drop one-piece filter over ram tubes and clamp onto adapters in desired position. Oval top plate measures 9"L x 5 1/2"W, total filter height is 6 3/4".

AIR CLEANER MOUNTING FLANGE INSIDE DIAMETER	INJECTOR BORE SIZE INSIDE DIAMETER	HILBORN MODEL#	CENTER TO CENTER MEASUREMENT OF BORES	PART#
1 3/4" (44.5mm)	1 11/16" (43mm)	(Early) 1600 V-4	3.312"	RD-3200



*Each filter sold individually.

Legal in California only for racing vehicles which may never be used, registered or licensed for use upon a highway. See knfilters.com for CARB status on each part for a specific vehicle. These filters are not applicable, nor intended for use on aircraft.

Carbon Fiber Airboxes

If airflow is what you are looking for, a carbon fiber airbox is your ticket. This allows you to do away with clamping a filter on to each individual ram tube. Once the base has been put in place, simply slip the main filter assembly over the stacks. This airbox will allow your vehicle's engine to breathe all the clean air it needs to help you win. As with all K&N® filters, this is a washable and reusable air filter. Simply use our K&N® oil and cleaner to service your filter.



100-8570



Driver: Jason Johnson

Photo: John Lee/High Fly'N Photos



100-8562



100-8580



85-83897

SPRINT CAR AIR BOX
GENERATION II



088056

2.75" Air Horn Seal



100-8559

Complete Sprint Car Air Box with 2.75" Air Horn Seals



088040

2.5" Air Horn Seal

DESCRIPTION	NOTE	PART#
AIR BOXES		
Small, 9 1/8" L x 6 3/4" W x 6 1/2" H	1, 4, 6, 8	100-8569
Medium, 19" L x 7" W x 6" H	1, 4, 6, 8	100-8570
Medium, 18 7/8" L x 6 1/4" W x 6 1/4" H	2, 4, 6, 9	100-8575
Medium, 19" L x 7" W x 4 3/8" H	1, 4, 6, 9	100-8578
Medium, 19" L x 7" W x 4 3/4" H	1, 4, 6, 9	100-8576
Gen 2, Large, 19" L x 14" W x 6 1/2" H	1, 3, 5, 8	100-8558
Gen 2, Large, 19" L x 14" W x 6 1/2" H	1, 3, 5, 8	100-8559
Large, 19" L x 14" W x 6 1/2" H	2, 3, 6, 7, 10	100-8562
Large with Solid Carbon Top, 19" L x 14" W x 6 1/2" H	1, 4, 6, 8, 10	100-8563
Large, 18 7/8" L x 13 3/4" W x 6 1/4" H	2, 4, 6, 9	100-8564
Large with Solid Carbon Top, 8 7/8" L x 13 3/4" W x 6 1/4" H	2, 4, 6, 9	100-8566
Large, 19" L x 14" W x 6 1/2" H	1, 4, 6, 8	100-8567
Large, 18 13/16" L x 13 3/4" W x 4 1/8" H	1, 4, 6, 8	100-8592
Large, 19" L x 14" W x 6 1/2" H	1, 4, 6, 7, 10	100-8568
Large, 18 13/16" L x 13 3/4" W x 4 1/8" H	2, 4, 6, 9	100-8591
Extra Large, 27 3/16" L x 16 1/8" W x 6" H	1, 4, 6, 9	100-8591
BASE ONLY		
Medium Solid Base with Rubber Insert, 19" L x 7" W x 1" H	8	100-8573
Medium Solid Base, 19" L x 7" W x 1" H	8	100-8577
Large Hilborn Rotary Injection Base Plate, 19" L x 14" W x 4 1/2" H	3	100-8574
Large Solid Base, 18 7/8" L x 13 3/4" W x 6 1/4" H	8	100-8565
Large Solid Base with Rubber Insert, 17" L x 14" W x 1" H	8	100-8571
Large Solid Base Without Rubber Insert 19" L x 14" W x 1" H	8	100-8590

Notes: 1) Includes spring clips; 2) No spring clips included; 3) Includes hardware; 4) No hardware included; 5) Includes air horn seals; 6) No air horn seals included; 7) Baseplate with holes; 8) Baseplate with no holes; 9) No base plate; 10) Baseplate has 6 3/4" center spread

Air Horn Seals

SIZE	PART#
2 1/2"	088040
2 3/4"	088056

Spring Clips

SIZE	PART#
4 Pack, .75" x 5.99"	85-83891
6 Pack, .75" x 5.99"	85-83893
4 Pack, .75" x 4.45"	85-83895
6 Pack, .75" x 4.45"	85-83897

PRECHARGERS®

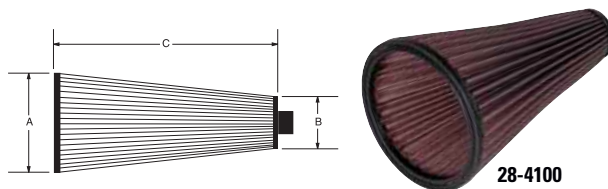
BOX SIZE	BLACK	RED	BLUE	YELLOW
Small	100-8569PK	100-8569PR	•	100-8569PY
Medium	100-8570PK	100-8570PR	•	100-8570PY
Large	100-8562PK	100-8562PR	100-8562PL	100-8562PY

Legal in California only for racing vehicles which may never be used, registered or licensed for use upon a highway. See knfilters.com for CARB status on each part for a specific vehicle. These filters are not applicable, nor intended for use on aircraft.

Racing Cone Filters

Designed for Formula Atlantic and Super Vee style cars, these filters fit into the air scoops and allow plenty of fresh clean air to enter the engine, but keep racetrack debris from demolishing the engine. A hole at the small end of the filter allows debris to exit the air scoop. Designed for the vehicles listed below, but can probably be adapted to a wide variety of applications.

APPLICATION	A	B	C	PART#
Lola Sports 2000	5 7/8"	2"	10"	28-4100
Vestal Racing Cars	5 7/8"	2"	8"	28-4105
Tiga Sport 2000	5 1/2"	2"	16"	28-4115
83-85 Tiga Sport 2000	6 1/8"	3"	16"	28-4120
Ralt Formula Atlantic, Super Vee	4 7/8"	2"	16"	28-4125
Swift Sport 2000	5 3/4"	2"	16"	28-4130
Extension for 28-4130	8"	4 7/8"	11 5/8"	28-4131



Drag Racing Scoop Filters

Engineered with two filter elements to provide maximum airflow and protection. Designed to fit specific scoop designs. Mounts inside the front lip of the scoop with Dzus fasteners.

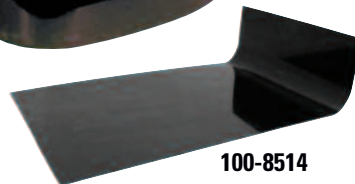
DESCRIPTION	PART#
Harwood 3158 Scoop Filter	28-4215
Harwood 3153 Scoop Filter	28-4135
Harwood 3160, 3161, 3164, 3166 Scoop Filter	28-4145
Harwood 3160, 3161, 3164, 3166 SHORT Scoop Filter	28-4150
Harwood 3152 Scoop Filter	28-4155
Harwood 3182 Scoop Filter	28-4180
Quarter-Max RJF1 Scoop Filter	28-4140
Quarter-Max RJF1 SHORT Scoop Filter	28-4185
Don Davis Scoop Filter 10" depth	28-4195
Don Davis Scoop Filter 6" depth	28-4200
K&N Hood Scoop Filter, Fits 100-8505/100-8512	28-4215
K&N Hood Scoops Filter, 100-8506 and 100-8508	28-4210



Doorslammer Composite Hood Scoop

Created through CFD (computational fluid dynamics) and SolidWorks (CAD software) for a low drag design which resulted in 18-lb decrease in drag. Each hood scoop is made of carbon fiber and was designed to fit Pro Stock, Super Stock, Super Gas, Top Sportsman and Pro Mod cars.

DESCRIPTION	PART#
50 sq. inch, D-Shaped Opening, 10" Height	100-8506
50 sq. inch, D-Shaped Opening, 11" Height	100-8508
Gen 2, 50 sq. inch, D-Shaped Opening, 11" height	100-8515
Gen 2, 54 sq. inch, D-Shaped Opening, 11" height	100-8516
Gen 2, 58 sq. inch, D-Shaped Opening, 11" height	100-8517
Inner Hood Scoop Pan: 7.25" Dominator Carb	100-8509
Inner Hood Scoop Pan: 8.00" Braswell Carb	100-8510
Inner Hood Scoop Pan: 5.5" Braswell Carb	100-8520
Inner Hood Scoop Pan, No Holes	100-8514
Carbon Fiber Inner Scoop Liner Set	100-8511
Carbon Fiber Hood Scoop Plug for 50 sq. inch hood scoops	100-8519
Carbon Fiber Hood Scoop Plug for 58 sq. inch hood scoops	100-8518



Composite Dragster Scoop

Our intake scoops have been designed with the latest technology available by taking the air principles and the cosmetic appeal of carbon fiber to produce an attractive air scoop.

DESCRIPTION	PART#
Scoop and Pan, 25 sq. inch opening	100-8503
Standard Holley® 4 BBL Filter Assembly, Scoop and Base	100-8504
Holley® Dominator Air Filter Assembly, Scoop and Base	100-8505
Gen 2 Scoop and Pan, 50 sq. inch opening	100-8512

Legal in California only for racing vehicles which may never be used, registered or licensed for use upon a highway. See knfilters.com for CARB status on each part for a specific vehicle. These filters are not applicable, nor intended for use on aircraft.

Panel Air Filter for IRL Spec Lola Cars

K&N's high flow air filter for IRL spec Lola cars is 16 inches wide and almost 21 inches in length. Besides being used as a race car air filter, it is also a great filter for special projects that need a large panel air filter.



Part# 33-2495

Assembly for Ford Focus Midget Series

This high-flow, washable and reusable assembly comes with instructions, mounting plate and all needed hardware.



DESCRIPTION	ASSEMBLY#	FILTER WRAP#
Ford Focus Midget Assembly	55-1040	55-1040DK

Drag Racing Base Mount Scoop Filters

Protect the engine in your drag car with these base mount scoop filters. Built with 2-ply cotton in the patented Xstream® airflow top and 1-ply cotton in the filter for minimal airflow restriction. Each assembly includes a base plate and mounting hardware. They are designed to fit K&N® composite dragster scoops, as well as other popular scoops on the market.



66-3320R

DESCRIPTION	TOTAL HEIGHT**	BASE O.D.	TOP O.D.	FLANGE	PART#
Dominator Drag Race Assembly 11" O.D.	7 1/2"	11"	9"	7 5/16"	66-3300R
Dominator Drag Race Assembly 11" O.D., Harwood/Goza/Spitzer Bases	8 7/8"	11"	9"	7 5/16"	66-3310R
Dominator Drag Race Assembly 9" O.D. X 5" H	6 1/4"	9"	9"	7 5/16"	66-3320R
Dominator Drag Race Assembly 9" O.D. X 3" H	4 1/4"	9"	9"	7 5/16"	66-3330R
Drag Race Assembly with Std Holley Base	7 1/2"	11"	9"	5 1/8"	66-3340R
Xstream® Race Flow Top Only 9"	1"	9"	9"	•	66-0900R
Replacement Drag Race Filter; 11" O.D.	6 3/8"	11"	9"	•	28-4235
Replacement Drag Race Filter; 9" O.D. X 5" H	5"	9"	9"	•	28-4240
Replacement Drag Race Filter; 9" O.D. X 3" H	3"	9"	9"	•	28-4245
Base Plate; 11" Dia. x 7 5/16" Flange; TB/PC for 66-3300R	•	•	•	•	00301
Base Plate; 11" Dia. CR 5 1/8" Flange for 66-3040R	•	•	•	•	01988
Base Plate; 9" Dia., 7 5/16" Flange, TB/PC for 66-3320R, 66-3330R	•	•	•	•	03361
Adaptor; 11" O.D. x 7 5/16" Flange x 2" H for 66-3310R	•	•	•	•	21500

Xstream® Air Flow Tops

K&N® Xstream® air flow tops are innovative round filters designed to replace a metal air filter top. These filter lids add more filter area and are designed to increase horsepower and dirt capacity. Xstream® top adds approximately 1" to total height of assembly.



Assemblies come with black ring top. Blue, red, and polished tops sold separately.

Other colors available in 14" size only.

Xstream® Air-Flow Top Only

DESCRIPTION	DIA.	FLANGE	HEIGHT	PART#	COLOR
Top Only	9"	N/A	N/A	66-0901	Black
Top Only	11"	N/A	N/A	66-1101	Black
Top Only	14"	N/A	N/A	66-1401	Black
Top Only	14"	N/A	N/A	66-1401XB	Blue
Top Only	14"	N/A	N/A	66-1401XP	Polished
Top Only	14"	N/A	N/A	66-1401XR	Red
Top Only	16"	N/A	N/A	66-1601	Black

11" Assemblies

NECK FLANGE	ELEMENT HEIGHT	ELEMENT PART#	COMPLETE ASSEMBLY	TOTAL HEIGHT**	COLOR
5 1/8"	2 3/16"	E-1200	66-3110	3 1/2"	Black
5 1/8"	3 1/2"	E-1250	66-3120	4 3/4"	Black
5 1/8"	5"	E-3680	66-3130	6 1/4"	Black
7 5/16"	3 1/2"	E-1250	66-3140	4 1/2"	Black

9" Assemblies

NECK FLANGE	ELEMENT HEIGHT	ELEMENT PART#	COMPLETE ASSEMBLY	TOTAL HEIGHT**	COLOR
5 1/8"	2 7/8"	E-3530	66-3150	4 1/2"	Black
5 1/8"	2 7/8"	E-3530	66-3160	8 1/4"	Black

16" AIR-FLOW TOP 66-1601

- Increases High-Flow Filter Area
- Washable and Reusable
- Wide Range of Sizes and Applications



14" ASSEMBLY 66-3060

14" Assemblies

NECK FLANGE	ELEMENT HEIGHT	ELEMENT PART#	COMPLETE ASSEMBLY	TOTAL HEIGHT**	COLOR
STANDARD 9/16" RAISED BASE					
5 1/8"	2 5/16"	E-3740	66-3000	3 7/8"	Black
5 1/8"	3"	E-1650	66-3010	4 5/8"	Black
5 1/8"	4"	E-3750	66-3020	5 7/8"	Black
5 1/8"	5"	E-3760	66-3030	6 7/8"	Black
1 1/4" DROP BASE					
5 1/8"	3"	E-1650	66-3040	2 3/4"	Black
5 1/8"	4"	E-3750	66-3060	3 3/4"	Black
5 1/8"	5"	E-3760	66-3070	4 3/4"	Black
7/8" DROP BASE					
5 1/8"	3"	E-1650	66-3050	3 1/8"	Black
DOMINATOR					
7 5/16"	4"	E-3750	66-3080	5 1/2"	Black
7 5/16"	5"	E-3760	66-3090	6 1/2"	Black
7 5/16"	6"	E-3770	66-3100	7 1/2"	Black

* Velocity stack. ** Total Height= minimum clearance required above carburetor flange.

Legal in California only for racing vehicles which may never be used, registered or licensed for use upon a highway. See knfilters.com for CARB status on each part for a specific vehicle. These filters are not applicable, nor intended for use on aircraft.



Complete Assemblies

Fits single 5 1/8" flange carburetors.



DESCRIPTION	DIMENSIONS*	FLAMED DESIGN	SCALLOPED DESIGN	ELECTRIC DESIGN	REPLACEMENT FILTER
Large Oval	15" x 8 1/4" x 3"h	66-1470	66-1490	66-1510	E-3515
	15" x 8 1/4" x 5"h	66-1460	66-1480	66-1500	E-3514
Small Oval	11 7/8" x 8 3/8" x 3"h	66-1530	66-1550	66-1570	E-3505
	11 7/8" x 8 3/8" x 5"h	66-1520	66-1540	66-1560	E-3504

*Complete Assembly Dimensions

Billet Aluminum Spoked Lids

These 14" assemblies feature a billet aluminum spoked lid with a carbon fiber insert and include our popular 3" tall E-1650 element. Both fit 5 1/8" carburetor flanges and are available with either 1 1/4" drop base or standard 9/16" raised base.



5 Spoke Round Design

DESCRIPTION	PART#
5 Spoke with 1 1/4" drop base; 2 3/4" total height	66-5090
5 Spoke with standard 9/16" raised base; 4 5/8" total height	66-5100
5 Spoke Top Plate	85-6848

10 Spoke Round Design

DESCRIPTION	PART#
10 Spoke with 1 1/4" drop base; 2 3/4" total height	66-5110
10 Spoke with standard 9/16" raised base; 4 5/8" total height	66-5120
10 Spoke Top Plate	85-6850



Dual Quad

Designed to fit 4-barrel carburetors with a 5 1/8" neck flange. The minimum center-to-center spacing required is 7 13/16". The filter is 2 1/2" tall and entire assembly height is 4 1/8". Total length depends on the distance between carburetors.

COMPLETE ASSEMBLY	FRONT ARROW	ARROW FILTER	REAR OVAL	OVAL FILTER
66-5080	66-5080F	E-3612	66-5080R	E-3614

Nostalgia Air Filter Kits

These custom air cleaner filter kits are designed for use on nostalgia engines. They incorporate our famous K&N® air filters and are designed to provide more airflow than other air filter kits of this type. Available in four different styles.

Four-Inch Chrome Top Sides Open

Round open style air filter kits fit nearly all early model carburetor's with 2 3/16" or 2 5/8" flange diameter. Assemblies are 4" in diameter and measure 3" from base to the top of the wing nut.



3 COMPLETE ASSEMBLIES	SINGLE ASSEMBLY	SINGLE FILTER
60-0403	60-0400	E-3120

Four-Inch Louvered Chrome Bonnet

Louvered bonnet air filter kits have a 4" O.D. base with a 2 5/8" flange and 2 3/16" flange adapter. The 4 5/8" O.D. Bonnet measures 3" total height**.



3 COMPLETE ASSEMBLIES	SINGLE ASSEMBLY	SINGLE FILTER
60-0503	60-0500	E-3120

**Total Height= minimum clearance required above carburetor flange

Four-Inch Finned Aluminum Top Filters

Round one-piece filters are molded into the aluminum base and finned top with an "as cast" finish that can be painted, polished or left as is. They fit carburetors with a 2 5/8" flange diameter and are held in place with a setscrew. These filters are 4" in diameter and measure 2 3/4" from base of flange to top.



DESCRIPTION	3 COMPLETE ASSEMBLIES	SINGLE ASSEMBLY
Four-Inch Finned Filter	60-0413	60-0410

Pontiac Tri-Power Air Cleaners - Chrome

Designed for Pontiac 389, 400, 421 and 428 engines equipped with Tri-Power. Available in two flange sizes 2 5/8" and 3 1/16". Some mounting flange sizes vary by model year. Make sure to measure before ordering.



DESCRIPTION	PART#
Single Assembly- 2 5/8"	60-1331
Single Assembly - 3 1/16"	60-1340
3 Complete Assemblies 2 5/8"	60-1333
One 2 5/8" + Two 3 1/16" Assemblies	60-1350
Single Replacement Element for all air filter kits	E-3200

Legal in California only for racing vehicles which may never be used, registered or licensed for use upon a highway. See knfilters.com for CARB status on each part for a specific vehicle. These filters are not applicable, nor intended for use on aircraft.

Custom Air Filter Kits For Weber Carburetors

K&N® custom air filter kits are designed to allow the maximum performance from your carburetors, yet keep the dirt on the outside where it belongs. Show quality to fit racing vehicles with VW, Pinto or any other engine equipped with these performance carburetors. All air filter kits come with custom chrome top and base plates (except IDA Triple) and the famous K&N® high-flow washable air filter. All air filter kits are convenient to clean and service.



56-1210

CARBURETOR	FILTER STYLE	OUTSIDE DIMENSION	HEIGHT	ELEMENT PART#	NOTE	ASSEMBLY PART#	CARBURETOR	FILTER STYLE	OUTSIDE DIMENSION	HEIGHT	ELEMENT PART#	NOTE	ASSEMBLY PART#
DAR, DIR, DIF 32/36	DDO	5 1/2" x 9"	1 3/4"	E-3441	2	56-1010	DFT	DDO	5 1/2" x 9"	3 1/4"	E-3461	•	56-1730
	DDO	5 1/2" x 9"	3 1/4"	E-3461	1, 2	56-1020	DG, DGV5A, DGAV, DGEV, DPS 32/36	DDO	3 1/4" x 4 3/8" top 4 1/2" x 7" base	4"	E-9141	10	56-9290
DCD, DAS, DCLD, DCS 28/36	DDO	4 1/2" x 7"	2 3/4"	E-3325	2	56-1640		DDO	4 1/2" x 7"	1 3/4"	E-3321	•	56-1030
DCN 40-14	DDO	4 1/2" x 7"	3 1/4"	E-3341	•	56-1080		DDO	4 1/2" x 7"	3 1/4"	E-3341	•	56-1040
DCNF 36, 40, 42, 44	DDO	4 1/2" x 7"	1 3/4"	E-3321	7	56-1110		DDO	5 1/2" x 9"	1 3/4"	E-3441	2	56-1070
	DDO	4 1/2" x 7"	3 1/4"	E-3341	7	56-1120		DDO	5 1/2" x 9"	3 1/4"	E-3461	2	56-1060
	DDO	5 1/2" x 9"	3 1/4"	E-3461	7	56-1130	IDA 48	DDO	5 1/2" x 9"	3 1/4"	E-3461	•	56-1210
DCOE 40, 42	SDO	4 1/2" x 7"	1 3/4"	E-3321	5	56-1270		DDO	5 1/2" x 9"	4 1/2"	E-3471	•	56-1220
	SDO	4 1/2" x 7"	3 1/4"	E-3341	6	56-1350		DDO	5 1/2" x 9"	5 1/2"	E-3481	•	56-1230
	SDO	5 1/2" x 9"	3 1/4"	E-3461	6	56-1360	IDA Triple 40, 46-Porsche F6 Eng.	DDO	5 1/2" x 12"	3 1/4"	E-3671	4	56-1770-2
DCOE 45, 48	SDO	4 1/2" x 7"	1 3/4"	E-3321	5	56-1310	IDF 40, 44, 48, 44MX	DDO	4 1/2" x 7"	1 3/4"	E-3321	•	56-1160
	SDO	5 1/2" x 9"	1 3/4"	E-3441	5	56-1330		DDO	4 1/2" x 7"	3 1/4"	E-3341	•	56-1170
	SDO	4 1/2" x 7"	3 1/4"	E-3341	6	56-1350		DDO	5 1/2" x 9"	3 1/4"	E-3461	•	56-1190
	SDO	5 1/2" x 9"	3 1/4"	E-3461	6	56-1360		DDO	5 1/2" x 9"	6"	E-3491	8, 9	56-1200
DCOE 50, DCOE SP48, 55	SDO	4 1/2" x 7"	3 1/4"	E-3341	6	56-1710							
DFB, DFD, DFE, DFV 32/36	DDO	5 1/2" x 9"	1 3/4"	E-3441	2	56-1010							
	DDO	5 1/2" x 9"	3 1/4"	E-3461	1, 2	56-1020							

Filter Styles: DDO= down draft oval; DDR= down draft round; SDO= side draft oval; SDR= side draft round; REC= rectangle.

Notes: 1) includes cast aluminum velocity stack; 2) 1/2" vent elbow included; 3) oval filter air filter kit is turned 90 degrees to the base of carburetor flange (4 stud base); 4) cast aluminum top and base powder coated black; 5) must remove Weber airhorns; 6) works with Weber airhorns; 7) mounting bolt kit included; 8) must use separate velocity stacks to mount filter; 9) new improved racing version has stronger center tree and 4 springs to hold top plate; 10) filter is turned 90 degrees to centerlines of carburetor bore; 11) filter is mounted centered to carburetor bores.

Custom Air Filter Kits For Single or Two-Barrel Carburetors

Designed to allow the maximum performance from your carburetors, K&N® custom air filter kits keep the dirt on the outside where it belongs. Show quality and ideal for racing vehicles, these air filter kits come with custom chrome top and base plates and a famous K&N® high-flow air filter. All air filter kits are convenient to clean and service.



56-1390

CARBURETOR	FILTER STYLE	OUTSIDE DIMENSION	HEIGHT	ELEMENT PART#	NOTE	ASSEMBLY PART#	CARBURETOR	FILTER STYLE	OUTSIDE DIMENSION	HEIGHT	ELEMENT PART#	NOTE	ASSEMBLY PART#
Autolite 32/36 (2bbl.)	DDO	5 1/2" x 9"	1 3/4"	E-3441	3	56-1010	Motorcraft 32/36 (2bbl.)	DDO	5 1/2" x 9"	1 3/4"	E-3441	3	56-1010
	DDO	5 1/2" x 9"	3 1/4"	E-3461	2, 3	56-1020		DDO	5 1/2" x 9"	3 1/4"	E-3461	2, 3	56-1020
Dellorto DHLA - 40, 45, 48	SDO	4 1/2" x 7"	1 3/4"	E-3321	12	56-1310	SK Racing	SDO	4 1/2" x 7"	3 1/4"	E-3341	3	56-1010
	SDO	4 1/2" x 7"	3 1/4"	E-3341	•	56-1320		SDO	5 1/2" x 9"	3 1/4"	E-3461	2, 3	56-1020
	SDO	5 1/2" x 9"	1 3/4"	E-3441	12	56-1330	Solex 40 P11 (Porsche 912)	DDO	5 1/2" x 9"	3 1/4"	E-3461	15, 17	56-1255
Dellorto DRLA - 36, 40, 45, 48	DDO	4 1/2" x 7"	3 1/4"	E-3341	•	56-1691	Solex 34/34 Progressive	DDO	4 1/2" x 7"	1 3/4"	E-3321	3, 21	56-1701
	DDO	5 1/2" x 9"	3 1/4"	E-3461	•	56-1693		DDO	4 1/2" x 7"	3 1/4"	E-3341	3, 21	56-1703
Fomoco 32/36 (2bbl.)	DDO	5 1/2" x 9"	1 3/4"	E-3441	3	56-1010		DDO	5 1/2" x 9"	1 3/4"	E-3441	3, 20	56-1651
	DDO	5 1/2" x 9"	3 1/4"	E-3461	2, 3	56-1020	Stromberg 150	SDR	5 7/8"	1 3/4"	E-3211	•	56-1610
Hitachi (73-74 Datsun 240, 260Z)	SDR	5 7/8"	3 1/4"	E-3190	1, 11	56-1430	Stromberg 175	SDR	5 7/8"	1 3/4"	E-3211	•	56-1620
Hitachi	SDR	5 7/8"	2 1/4"	E-9143	•	56-9138		SDR	5 7/8"	3 1/4"	E-3213	•	56-1622
Holley 5200 w/EFC	DDO	4 1/2" x 7"	1 3/4"	E-3315	•	•	SU 1 1/4 Bore	SDR	5 7/8"	1 13/16"	E-3212	10, 17	56-1630
	DDO	4 1/2" x 7"	3 1/4"	E-3317	•	•	SU 1 1/2 Bore	SDR	5 7/8"	1 3/4"	E-3180	10	56-1390
ISO (70-72 Datsun 240Z)	SDR	5 7/8"	3 1/4"	E-3190	6, 10	56-1410	SU 1 1/2 Bore HIF4, HIF6, HIF38	SDR	5 7/8" b, 3 1/2" t	2 11/16"	E-9156	•	56-9320
Kadron-Solex H40 E/S (Brazil)	DDR	7"	4"	E-2510	13, 16	56-1490	SU 1 3/4 Bore (Not HIF6)	SDR	5 7/8"	1 3/4"	E-3180	10	56-1400
Mikuni - Solex 36 PHH	SDO	4 1/2" x 7"	1 3/4"	E-3321	•	56-1370	SU 1 3/4 Bore HIF6	SDR	5 7/8" b, 3 1/2" t	2 11/16"	E-9156	•	56-9330
Mikuni - Solex 40, 44, 48 PHH	SDO	4 1/2" x 7"	1 3/4"	E-3321	12	56-1310	SU 1 3/4 Bore HS6	SDR	5 7/8" b, 3 1/2" t	2 11/16"	E-9156	•	56-9327
	SDO	4 1/2" x 7"	3 1/4"	E-3341	•	56-1350	SU (70-72 Datsun 240Z)	SDR	5 7/8"	3 1/4"	E-3190	•	56-1430
	SDO	5 1/2" x 9"	1 3/4"	E-3441	12	56-1330	SU (73-74 Datsun 240, 260Z)	SDR	5 7/8"	3 1/4"	E-3190	1, 11	56-1430
	SDO	5 1/2" x 9"	3 1/4"	E-3461	•	56-1360							

Filter Styles: DDO= down draft oval; DDR= down draft round; SDO= side draft oval; SDR= side draft round; REC= rectangle.

Notes: 1) 1 15/16" x 19/16" rectangle opening in baseplate; 2) includes cast aluminum velocity stack; 3) 1/2" vent elbow included; 6) 1 3/4" opening in baseplate; 10) 2 bolt mount; 11) 3 bolt mount; 12) will not work with velocity stacks; 13) 2 5/8" flange, will not fit VW engine with large fan shrouds; 14) special offset base allows use of larger fan shrouds on VW engines; 15) mounting bolt kit included; 16) E-2410 fits original Kadron filter case; 17) includes optional vent; 20) filter is turned 90 degrees to centerlines of carburetor bore; 21) filter is mounted centered to carburetor bores.

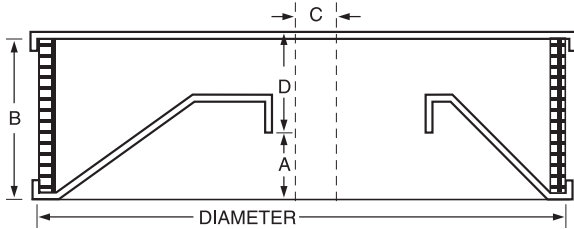
Legal in California only for racing vehicles which may never be used, registered or licensed for use upon a highway. See knfilters.com for CARB status on each part for a specific vehicle. These filters are not applicable, nor intended for use on aircraft.

RACING, HOT ROD, & CUSTOM PRODUCTS

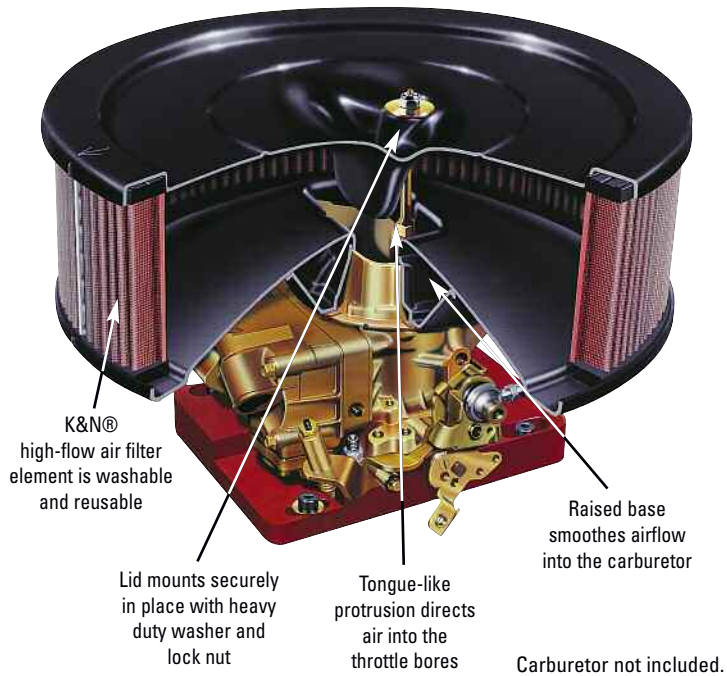
Flow Control Air Filter Kits

The flow control air filter kit utilizes a custom designed base in combination with a unique lid, featuring a tongue or protrusion, that is designed to reduce intake turbulence. The resulting smooth, laminar flow, enhances cylinder filling, horsepower, and torque. The filter element is the world famous K&N® high-flow air filter for the ultimate in airflow and filtration. This powerful combination is designed to increase horsepower.

FLOW CONTROL DIMENSIONS



PART#	DIAMETER	DROP "A"	ELE. HT. "B"	OFF SET "C"	HT. ABOVE CARB FLG. "D"
61-2000	14"	.343	4.0	1.0	3.75
61-2010	14"	.343	4.5	1.0	4.25
61-2020	14"	1.37	4.0	1.0	2.75
61-2030	14"	1.37	4.5	1.0	3.25
61-2040	14"	.625	4.5	0	4.18
61-4000	14"	.125	4.0	0	4.25
61-4010	14"	.125	4.5	0	4.75
61-4020	14"	.156	4.0	0	4.37
61-4030	14"	.156	4.5	0	4.87
61-4040	14"	.437	4.0	0	4.00
61-4050	14"	.437	4.5	0	4.50
61-6000	14"	.500	4.5	0	4.62
61-4500	16"	1.93	3.5	0	2.12
61-4520	16"	1.93	4.0	0	2.62



Replacement Filter Elements

Hundreds of sizes available. See pages 63-76.

DIMENSIONS	PART#	DIMENSIONS	PART#
14" x 2.5"	E-3735	14" x 5"	E-3760 ¹
14" x 3"	E-3737	14" x 6"	E-3770 ¹
14" x 3.5"	E-3745 ¹	16" x 3.5"	E-3804
14" x 4"	E-3730	16" x 4"	E-3806
14" x 4.5"	E-3732	16" x 4.5"	E-3808

1) Inner Support Wire

Flow Control Filter Clips

Filter clips are designed for added support around the outside of the complete air filter kit. Made of spring steel and black powder coated, these clips come in sets of four and are available for the flow control air filter kits listed.



Comes in sets of four.

FOR 14" ASSEMBLY	PART#
14" x 4.0"	85-83890
14" x 4.5"	85-83892
FOR 16" ASSEMBLY	PART#
16" x 3.5"	85-83894
16" x 4.0"	85-83896

Deflector Shields for Flow Control Air Filter Kits

Designed to control heat and help direct airflow.

DESCRIPTION	PART#
14" x 4.0" Deflector Shield	85-54400
14" x 4.5" Deflector Shield	85-54450
16" x 3.5" Deflector Shield	85-56351
16" x 4.0" Deflector Shield	85-56401



Legal in California only for racing vehicles which may never be used, registered or licensed for use upon a highway. See knfilters.com for CARB status on each part for a specific vehicle. These filters are not applicable, nor intended for use on aircraft. Unless specifically noted, these will not fit "HP" series carb.

Flow Control: 4-Barrel Holley® Dominator

Designed for all Holley® HP Dominator carburetors. This flow control air filter kit takes full advantage of the 360° air delivery system by using K&N's 4 1/2" air filter. This air filter kit is designed to produce a whopping 1200 cfm at 1 1/2 inches of water pressure drop which should be more than enough air for any motorsports application!

DESCRIPTION	SIZE	PART#
Fits Holley Dominator and HP Series Carbs	14" x 4.5"	61-6000



Xstream® Flow Control Air Filter Kits

DESCRIPTION	FLANGE	COLOR	PART#
Flow Control for 4BI Holley®	No Choke	Black	66-3200
Flow Control for 4BI Holley®	With Choke	Black	66-3210
Flow Control for Holley® Dominator	All	Black	66-3220



61-6000

Flow Control: 4-Barrel Holley®

With and Without Choke Tower

The inspiration for this particular air cleaner was the 390 cfm Holley®. Many tracks and racing organizations use this carburetor as a restrictor. Flows plenty on the 390 and you can pass it all the way up to the mighty 850 and it keeps on making horsepower. Available in two sizes. Comes complete with all necessary parts.

WITH CHOKE TOWER: For unmodified choke towers.

DESCRIPTION	14" x 4.0"	14" x 4.5"
With choke tower, Fits 390-800	61-4020	61-4030
With choke tower, Fits 830-850	61-4040	61-4050

WITHOUT CHOKE TOWER:

DESCRIPTION	14" x 4.0"	14" x 4.5"
Without choke tower	61-4000	61-4010

Flow Control: 4-Barrel Holley® Low Profile Without Choke Tower

This air cleaner is designed for installations with the carburetor mounted high against the hood. An engine requiring 700 cfm or more to develop a certain level of power will not work with hood clearance that will only allow 450 cfm. There are race cars with less than 1/2" between the hood and the vent tubes of the carb. This model of flow control is as low as is recommended to assure maximum airflow. It was necessary to enlarge the diameter to 16" to maintain airflow. Fits 390-850 Holley.

DESCRIPTION	16" x 3.5"	16" x 4.0"
Low Profile Without Choke Tower	61-4500	61-4520

Note: This model only works without the choke tower and works great with restrictor plate engines. If you're working with these engines, call K&N's customer service and get all the info. Available in two sizes. Comes with all necessary parts.

Flow Control: 2-Barrel Rochester

DESCRIPTION	SIZE	PART#
Flow Control Air Filter Kit	14" x 4.5"	61-2040

The choice of quite a few racing associations, this carburetor is used in an attempt to equalize competition. If you have to use this carburetor, you should use this air cleaner. Clears the HEI distributor on the cast iron manifold. Only one size offered because only one size works.

Flow Control: 2-Barrel Holley®

With and Without Choke Tower

Fits the very popular 4412 Holley® 2-barrel by removing the choke assembly and leaving the choke tower untouched. The result is an increase in airflow. Two sizes available.

WITH CHOKE TOWER: For unmodified choke towers.

DESCRIPTION	14" x 4.0"	14" x 4.5"
With choke tower	61-2000	61-2010

WITHOUT CHOKE TOWER:

DESCRIPTION	14" x 4.0"	14" x 4.5"
Without choke tower	61-2020	61-2030

Legal in California only for racing vehicles which may never be used, registered or licensed for use upon a highway. See knfilters.com for CARB status on each part for a specific vehicle. These filters are not applicable, nor intended for use on aircraft. Unless specifically noted, these will not fit "HP" series carb.

Holley is a trademark of Holley Performance Products, Inc.

RACING, HOT ROD, & CUSTOM PRODUCTS

14-Inch Drop Base Air Filter Kits - Chrome

Low profile air cleaner drops filter 7/8" or 1 1/4" below carburetor flange. 5 1/8" flange fits most 4-barrel carburetors and four element heights fit a wide variety of applications. Note: 7/8" drop will fit carburetors with electric choke mechanisms.

NECK FLANGE	ELEMENT HEIGHT	ELEMENT	COMPLETE ASSEMBLY	TOTAL HEIGHT**
1 1/4" DROP BASE				
5 1/8"	3"	E-1650	60-1280 ^{*,2}	2.75"
5 1/8"	4"	E-3750	60-1290 ^{*,2}	3.75"
5 1/8"	5"	E-3760	60-1300 ^{*,2}	4.75"
5 1/8"	6"	E-3770	60-1310 ²	5.75"
7/8" DROP BASE				
5 1/8"	3"	E-1650	60-1430 ²	3.12"
5 1/8"	4"	E-3750	60-1440 ²	4.12"
5 1/8"	5"	E-3760	60-1450 ²	5.12"
5 1/8"	6"	E-3770	60-1460 ²	6.12"



14-Inch Air Filter kits - Chrome

Popular 14" chrome racing style filter kit. Raises element 9/16" above carburetor flange. 5 1/8" flange fits most 4-barrel carburetors. Four element heights to fit a wide variety of applications. Will clear HEI distributors.

NECK FLANGE	ELEMENT HEIGHT	ELEMENT	COMPLETE ASSEMBLY	TOTAL HEIGHT**
5 1/8"	2 5/16"	E-3740	60-1263 ¹	3.87"
5 1/8"	3"	E-1650	60-1264 ¹	4.62"
5 1/8"	4"	E-3750	60-1260 ¹	5.62"
5 1/8"	5"	E-3760	60-1270 ¹	6.62"



11, 14 and 16-Inch Dominator Air Filter Kits - Chrome

These K&N® 11", 14" and 16" outer diameter race-ready air cleaners can flow the amount of air required for the Holley® Dominator carburetors. 11" and 14" kits have 7 5/16" flange base and a 3/4" rise velocity stack. 16" has 1" drop base.

NECK FLANGE	ELEMENT HEIGHT	ELEMENT	COMPLETE ASSEMBLY	TOTAL HEIGHT**
11" OD AIR FILTER				
7 5/16"	3 1/2"	E-1250	60-1230	4.50"
7 5/16"	5"	E-3680	60-1240	6.00"
7 5/16"	6"	E-3690	60-1250	7.00"
14" OD AIR FILTER				
7 5/16"	4"	E-3750	60-1235 ⁵	5.50"
7 5/16"	5"	E-3760	60-1245 ⁵	6.50"
7 5/16"	6"	E-3770	60-1255 ⁵	7.50"
16" OD AIR FILTER				
7 5/16"	3 1/2"	E-3804 ⁷	60-1640 ⁷	3.25"



11-Inch Air Filter Kits - Chrome

The perfect application for when space is a premium, yet high performance is required. Base is available in three (3) flange sizes and various heights to fit a wide variety of applications.

NECK FLANGE	ELEMENT HEIGHT	ELEMENT	COMPLETE ASSEMBLY	TOTAL HEIGHT**
2 5/8"	2 1/8"	E-1200	60-1130 ^{3,6}	3.12"
2 5/8"	3 1/2"	E-1250	60-1140 ^{3,6}	4.50"
5 1/8"	2 1/8"	E-1200	60-1170 ^{4,6}	3.12"
5 1/8"	2 3/16"	E-1200	60-1150 ⁶	3.37"
5 1/8"	3 1/2"	E-1250	60-1180 ⁴	4.75"
5 1/8"	5"	E-3680	60-1190 ⁶	6.00"
5 1/8"	5"	E-3680	60-1200 ^{4,6}	6.00"
5 1/8"	6"	E-3690	60-1210 ^{4,6}	7.00"
5 1/8"	6"	E-3690	60-1220 ⁶	7.00"



Notes: *Will not fit Edelbrock carbs with electric choke. ** Total Height= minimum clearance required above carburetor flange. 1) Includes vent kit; 2) Vent kit available, Part# 85-1190; 3) 1/2" vent tube on base; 4) 3/4" vent tube on base; 5) Top is chrome and base is Hi-Temp nylon; 6) Stainless steel top and chrome base; 7) 16" diameter.

Legal in California only for racing vehicles which may never be used, registered or licensed for use upon a highway. See knfilters.com for CARB status on each part for a specific vehicle. These filters are not applicable, nor intended for use on aircraft. Will not fit "HP" series carb.

9-Inch Air Filter Kits - Chrome

The ideal K&N® air filter kit when space is a problem. Five flange sizes and various heights assure a wide number of applications. Can be mounted on most dual carb setups. Polished stainless steel construction for top and base plates.

NECK FLANGE	ELEMENT HEIGHT	ELEMENT	COMPLETE ASSEMBLY	TOTAL HEIGHT**
2 5/8"	2"	E-3527	60-1070 ⁴	3.37"
2 5/8"	2 7/8"	E-3530	60-1080 ⁴	4.12"
3 1/16"	2 7/8"	E-3530	60-1090 ⁴	4.12"
4 7/32"	2 7/8"	E-3530	60-1100 ⁴	4.12"
5 1/8"	2"	E-3527	60-1110 ⁴	3.37"
5 1/8"	2 7/8"	E-3530	60-1120 ⁴	4.12"
5 1/8"	5"	E-3650	60-1365 ⁴	6.37"
7 5/16"	2 7/8"	E-3530	60-1370	4.12"
7 5/16"	5"	E-3650	60-1366	6.37"



7-Inch Air Filter Kits - Chrome

Ideal for that quality show car image. Four flange sizes to fit nearly all carburetors, even 5 1/8" flange 4 barrels.

NECK FLANGE	ELEMENT HEIGHT	ELEMENT	COMPLETE ASSEMBLY	TOTAL HEIGHT**
2 5/16"	2"	E-3360	60-1010 ³	3.06"
2 5/16"	3"	E-3380	60-1020 ³	4.06"
2 5/8"	2"	E-3360	60-1030 ³	3.12"
2 5/8"	3"	E-3380	60-1040 ³	4.12"
3 1/16"	2"	E-3360	60-1050 ³	3.12"
5 1/8"	2"	E-3402	60-1320	2.93"
5 1/8"	3"	E-3403	60-1330	3.93"



9-Inch Velocity Stack Air Filter Kits - Stainless Steel

Open 360° free breathing 9" air filter element on top of a 5" high stainless steel velocity stack base. Draws in cooler air away from engine heat. Engines equipped with the K&N® tall velocity stack air filter can produce more horsepower than those with no filter at all. All stainless steel tops and bases, highly polished to a mirror finish. Available with 5 1/8" flange to fit Holley®, Carter, or Rochester carburetors. Also available with 7 5/16" flange to fit Holley® Dominator carburetors. Choice of two element heights assures proper airflow for virtually any engine. Note: These K&N® assemblies are not U.S. Coast Guard approved for use as a flame arrestor.

NECK FLANGE	ELEMENT HEIGHT	ELEMENT	COMPLETE ASSEMBLY	TOTAL HEIGHT**
5 1/8"	2 7/8"	E-3530	58-1190	8.25"
5 1/8"	5"	E-3650	58-1191	10.50"
7 5/16"	2 7/8"	E-3530	58-1200	8.25"
7 5/16"	5"	E-3650	58-1210	10.50"



14-Inch Triangle Air Filter Kit - Chrome

K&N's custom chrome triangle filter kit is designed to make any engine compartment come to life. This triangle filter kit comes with a 3" high K&N® air filter, has smooth radius corners and fits most carburetors with 5 1/8" flange.

NECK FLANGE	ELEMENT HEIGHT	ELEMENT	COMPLETE ASSEMBLY	TOTAL HEIGHT**
5 1/8"	3"	E-3737	60-1470	3.62"



Notes: ** Total Height = minimum clearance required above carburetor flange. 1) Includes vent kit; 2) Vent kit available, Part# 85-1190; 3) 1/2 vent tube on base; 4) 3/4" vent tube on base; 5) Top is chrome and base is Hi-Temp nylon; 6) Stainless steel top and chrome base; 7) 16" diameter.

Legal in California only for racing vehicles which may never be used, registered or licensed for use upon a highway. See knfilters.com for CARB status on each part for a specific vehicle. These filters are not applicable, nor intended for use on aircraft. Will not fit "HP" series carb.

Holley is a trademark of Holley Performance Products, Inc.

Spun Aluminum Air Cleaner Lids with Bases

Works with Most 14- and 16-Inch Round Air Filters

These drop base spun aluminum air cleaner lids and bases use radius airflow to smooth the transition into the throat of the carburetor. Both lids and bases are raw while retaining the high tech spun aluminum look. Each lid features embossed K&N® logos. Made in the USA.

DESCRIPTION

14" outside diameter
16" outside diameter

PART#

85-6851
85-6852



85-6851



85-6852

Custom Lids

Xstream® Chevy & GMC Replacement Lids

Improve airflow and appearance on your late model Chevrolet-GMC truck and 1968 to 1995 GM vehicles with one of our new Xstream® air cleaner lids. Each lid comes in deep luster chrome with our Xstream® air flow top built in! These direct replacement lids are an inexpensive way to dress up your engine compartment and increase your airflow. **Part# 66-1201, 66-1202 (Black)**



66-1201



85-6840

Carbon Fiber Lid

Combines all the necessary features for racing with the good looks only carbon fiber can provide. Easy to install. This top lid fits K&N® air filter part numbers E-3740, E-1650, E-3743, E-3745, E-3730, E-3750, E-3732, E-3760, E-3770 or any round air filter with a 14" outside diameter. At 4.6 oz, this lid weighs 1/4 as much as our standard chrome top plate. Center rises 1". **Part# 85-6840**

Chrome Lid

This chrome plated steel top lid is stamped with the K&N® logo and is easy to install. It fits K&N® air filter part numbers E-3740, E-1650, E-3743, E-3745, E-3730, E-3750, E-3732, E-3760, E-3770 or any round air filter with a 14" outside diameter. Center rises 1". **Part# 85-6842**



85-6842

Custom Air Filter Base Plates

K&N's 14" air filter plates are available separately for replacement or special applications. Base plates fit carburetors with 5 1/8" or 7 5/16" air horn flange. Drop base will clear most electric choke mechanisms, it may be necessary to space up baseplate with a locally available air cleaner spacer.

DESCRIPTION

DESCRIPTION	PART#
14" O.D. drop base, Chrome plated steel, 5 1/8" flange (drops filter 7/8" below carb flange)	85-3545
14" O.D. drop base Chrome plated steel, 5 1/8" flange (drops filter 1 1/4" below carb flange)	85-3549
14" O.D. flat base Chrome plated steel, 5 1/8" flange (raises filter 9/16" above carb flange)	85-1541
14" O.D. flat base Nylon reinforced plastic, 7 5/16" flange (raises filter 3/4" above carb flange)	85-3552
14" O.D. offset flat base, Chrome plated steel, 5 1/8" flange (sets filter 1 1/2" off carb flange)	85-3540
Offset stud for use with 85-3540	08006



85-3545



85-1541



85-3552



85-3549

Legal in California only for racing vehicles which may never be used, registered or licensed for use upon a highway. See knfilters.com for CARB status on each part for a specific vehicle. These filters are not applicable, nor intended for use on aircraft.

In-Line Fuel/Oil Filters



K&N® in-line fuel/oil filters can be used with a variety of oils and fuels including methanol. The filter material is made from stainless steel and the housing is anodized aluminum. These inline filters can be used in all forms of racing including, NASCAR®, drag racing, sprint car, and marine applications.

NASCAR® is a registered trademark of the National Association for Stock Car Auto Racing, Inc.

In-Line Fuel/Oil Filter

FITTING TYPE	FILTER SIZE	PART#
6AN	25 MICRON	81-1000 ¹
8AN	25 MICRON	81-1001 ¹
10AN	25 MICRON	81-1002
10AN	74 MICRON	81-1003
10 WIGGINS	25 MICRON	81-1004
12AN	25 MICRON	81-1005
12 WIGGINS	40 MICRON	81-1006
12 WIGGINS	25 MICRON	81-1007
16AN	74 MICRON	81-1012

1) Fuel filter only. Replacement element not sold separately.

Replacement In-Line Filter Elements

FILTER SIZE	PART#
25 MICRON	81-1008
40 MICRON	81-1009
74 MICRON	81-1010
100 MICRON	81-1011

Off-Road Filters

These off-road filters are designed to provide an outstanding combination of filtration and performance. Designed to achieve high, virtually unrestricted airflow while maintaining filtration levels critical to your engine.



DESCRIPTION	PART#
Covered Round Assembly with 3" outlet. Aluminum cover allows extra protection for filter element. Filter size 9" Dia. by 3" tall.	55-1120
Replacement Element	E-3600

Mini Plenum

Cast aluminum plenum designed to fit Weber DGV carburetors. Single or dual snorkel accepts 2 1/2" I.D. hose or 2 1/2" flanged K&N® universal air filter. Plenum diameter is 5 3/4" and the snout sticks out 4" from the center. 2 1/2" clearance needed above carburetor flange. Includes adaptor part# 85-1061.



85-8927

DESCRIPTION	PART#
Single Snout for Weber DGV series	85-8921
Dual Snout for Weber DGV series	85-8927

Custom Plenum

Cast aluminum plenum, finished with black powder coating and natural highlights. Designed to fit most 4 barrel carbs with a 5 1/8" flange. The plenum has a single snorkel outlet that can be fitted with a 4" I.D. hose running to a remote air filter. Or a K&N® universal filter with a 4" flange can be clamped directly on the snorkel. The outside diameter of the plenum is 9" and the snorkel sticks out 6" from the center of the plenum. Minimum clearance required above the carburetor flange is 3 1/8". Customer must provide 1/4"-20 hold down stud. **Part# 85-1060**

Note: The custom plenum is recommended for small displacement engines (less than 200 C.I.) or low revving V6-V8 engines. If the engine requires more than 45 sq. in. of filter area then the plenum should not be used because the carburetor would have to be re-jetted, resulting in a loss of high R.P.M. power.



Filter Minder®

The Filter Minder® monitors air filter restriction and indicates when an air filter should be serviced. As the air filter gets dirty, the yellow position indicator moves in the clear window of the Filter Minder® and locks at the highest point. It can even be read after the engine is turned off. The air filter should not be cleaned until the position indicator reaches the red zone. Reset the indicator to zero by pushing the yellow reset at the end of the Filter Minder®.

IMPORTANT NOTES:

Initial filter restriction may not occur until 50,000 miles or more depending on operating conditions. Diesel and off-road use requires more frequent cleanings. K&N® air filters become more efficient at stopping dirt as they build a dust film. The air filter should not be cleaned until the indicator reaches the red zone. Sometimes the position indicator can move in the window with a new air filter. This could be from high airflow engine requirements, high humidity, or rain. Do not be alarmed. The air filter should not be cleaned until the indicator reaches the red zone.



85-2445

85-2444

DESCRIPTION	PART#
1/8" pipe threaded Filter Minder®	85-2444
Grommet Mount Filter Minder®	85-2445

Filter Minder® is a registered trademark of Engineered Products Company.

Legal in California only for racing vehicles which may never be used, registered or licensed for use upon a highway. See knfilters.com for CARB status on each part for a specific vehicle. These filters are not applicable, nor intended for use on aircraft.

RACING, HOT ROD, & CUSTOM PRODUCTS

K&N® Stubstacks®

K&N® Stubstacks® are designed to reduce turbulence, improve metering accuracy, and increase the airflow by reducing restriction.

Stubstack® for Holley® 2300

Fits most Holley® 2300 Series carburetors. The Stubstack® is designed to fit 2-barrel popular models within this series. Holley carburetor list numbers are stamped on the choke horn. **Part# 85-0210**



MODEL	LIST NO./CFM	LIST NO./CFM	LIST NO./CFM
2300	0-7448/350	0-4412/500	0-6425/650

Stubstack® for Holley® Square Bore with Milled Choke Horn

This Stubstack® is designed to be used with Holley® 390-850cfm square bore carbs (4150/4160), that have had the choke horn milled off and still use an air cleaner. Eliminates the need for hand polishing and radius work. Will work with all K&N® custom chrome racing air cleaners, including tall velocity stack air cleaners. **Part# 85-0400**



Stubstack® for Holley® Square Bore with Milled Choke Horn

This Stubstack® is designed to be used on Holley® 390-850cfm square bore carbs (4150/4160), that have had the choke horn milled off, but do not use an air cleaner. The full radius design helps to increase the airflow for drag racing. Will also hold down the base plate of a cold air scoop. Will not work with K&N® custom chrome racing air cleaners. **Part# 85-0500**



Stubstack® for Holley® Dominator

This Stubstack® is designed to be used on Holley® 1050 & 1150 cfm Dominator carbs. Will not allow use of a standard air cleaner housing, but it will hold down the base plate of a cold air scoop. Designed to straighten airflow and helps even out the flow to all four venturies. Decreases the restriction around the throttle bores. **Part# 85-0600**



AIR FILTER APPLICATION: The Stubstack® is designed to only work effectively with K&N® air filter elements and 360° custom air cleaner assemblies. If the Stubstack® is installed in an improper housing, the performance may actually drop! The minimum height above the stack needs to be at least 2 1/2" for proper operation. Will not fit "HP" series carb. Check the K&N custom assemblies that will work properly.

Stubstack® for Edelbrock Square-Bore Carburetors

Fits most Edelbrock Square-Bore carburetors. The Stubstack® is designed to fit almost every model within this series. This Stubstack® straightens and speeds up airflow, reduces turbulence, improves metering accuracy and increases airflow by reducing restriction. Available for the Edelbrock part numbers. Will also fit some Carter AFB models. **Part# 85-0700**



MODEL#	CFM RATING	CHOKE TYPE	MODEL#	CFM RATING	CHOKE TYPE
1400	600 cfm	electric choke	1406	600 cfm	electric choke
1404	500 cfm	manual choke	1407	750 cfm	manual choke
1405	600 cfm	manual choke	1411	750 cfm	electric choke

Stubstack® for Demon 4150-Style Carburetors

This Stubstack® is designed to be used on Holley® 4150-style Race Demon Carburetors from 650 to 1000 CFM. Will also fit King Demon Carburetors from 1000 to 1190 CFM. This Stubstack® straightens and speeds up airflow, reduces turbulence, improves metering accuracy and increases airflow by reducing restriction. **Part# 85-0800A**



K&N® Custom Chrome Assemblies Compatible with Stubstack® 85-0200, 85-0210 and 85-0700 Only!

PART#	DIAMETER	TOTAL HEIGHT
60-1180 (w/vent)	11" O.D.	4 1/2"
60-1190	11" O.D.	6"
60-1200 (w/vent)	11" O.D.	6"
60-1210 (w/vent)	11" O.D.	7"
60-1220	11" O.D.	7"
60-1260	14" O.D.	5 5/8"
60-1270	14" O.D.	6 5/8"
60-1300*	14" O.D.	4 3/4"
60-1310*	14" O.D.	5 3/4"



60-1180

Stubstack® for Holley® 4150/4160

Fits most Holley® 4150 and some 4160 Series carburetors with high and low choke horns. The 85-0200 is designed to fit 4-barrel popular models in this series. Holley carburetor list numbers are stamped on the choke horn. See the below chart for carburetor list numbers. **Part# 85-0200**



CARBURETOR LIST#	MODEL#	CFM RATING	CARBURETOR LIST#	MODEL#	CFM RATING	CARBURETOR LIST#	MODEL#	CFM RATING	CARBURETOR LIST#	MODEL#	CFM RATING	CARBURETOR LIST#	MODEL#	CFM RATING
0-1848-1	4160	465	0-4776**	4150	600	0-4780-3**	4150	800	0-6989	4160	600	0-8181	4160	600
0-1849	4160	550	0-4776-1**	4150	600	0-4781**	4150	850	0-7009	4160	600	0-8804**	4150	830
0-1850	4160	600	0-4776-2**	4150	600	0-4781-1**	4150	850	0-7009-1	4160	600	0-9002	4182	600
0-1850-1	4160	600	0-4777**	4150	650	0-4781-2**	4150	850	0-7154	4160	600	0-9040	4160	600
0-1850-2	4160	600	0-4777-1**	4150	650	0-4788**	4150	830	0-7410	4150	340	0-9210	4160	600
0-1850-3	4160	600	0-4777-2**	4150	650	0-4788-1**	4150	830	0-7411	4150	370	0-9219	4160	600
0-1850-4	4160	600	0-4778**	4150	700	0-6109	4150	750	0-7448	2300	350	0-9254	4160	600
0-2818	4150	600	0-4778-1**	4150	700	0-6299	4150	390	0-7985	4160	600	0-9379**	4150	750
0-2818-1	4150	600	0-4778-2**	4150	700	0-6299-1	4160	390	0-7986	4160	600	0-9380**	4150	850
0-3310*	4150	780	0-4779**	4150	750	0-6619	4160	600	0-7987	4160	600	0-9381**	4150	830
0-3310-1*	4150	780	0-4779-1**	4150	750	0-6619-1	4160	600	0-8004	4160	600	0-9626	4160	600
0-3310-2*	4160	750	0-4779-2**	4150	750	0-6895	4150	390	0-8005	4160	600			
0-4118*	4150	725	0-4779-5**	4150	750	0-6909	4160	600	0-8006	4160	600			
0-4452-1	4160	600	0-4780**	4150	800	0-6919	4150	800	0-8007	4160	390			
0-4452-2	4160	600	0-4780-1**	4150	800	0-6979	4160	600	0-8156**	4150	750			
0-4548	4160	450	0-4780-2**	4150	800	0-6979-1	4160	600	0-8162**	4150	850			

Notes: *Indicates dual feed fuel bowls. **Indicates dual accel. pump & dual feed bowls.

Holley is a trademark of Holley Performance Products, Inc.

Legal in California only for racing vehicles which may never be used, registered or licensed for use upon a highway. See knfilters.com for CARB status on each part for a specific vehicle. These filters are not applicable, nor intended for use on aircraft.

Air Filter Adapters

- CAD Designed
- Made of High Quality Materials Such as Aluminum, Silicone or Reinforced Nylon
- One Year Limited Warranty

K&N® air filter adapters are perfect for the person looking to build their own intake system. Each component is designed with the latest CAD software to ensure exact tolerances and a perfect fit. Each adapter is configured to work in conjunction with K&N® high-flow air filters to ensure smooth non-turbulent air flow.



088010



08781

DESCRIPTION	ADAPTERS	PART#	GASKETS	PART#
TACOMA; 1995-99 L4-2.4L, 2.7L, 5" filter flange to mass air sensor	#230	08781	for #230 Adapter	09040
GM Truck/Corvette; 1999-04, 6" filter flange to mass air sensor	#240	08783	for #240 Adapter	09033
Ford Car/Truck V8, 1996-04, 6" flange filter to mass air sensor	#250	08785	for #250 Adapter	09984
Ford Car/Truck V6, 1997-04, 6" flange filter to mass air sensor	#290	21504	for #290 Adapter	09330
Ford/Mazda I4/V6, 1995-04, 5" flange filter to mass air sensor	#350	21510	for #350 Adapter	09202
Nissan 3.3L V6, 2001-04, 5" flange filter to mass air sensor	#360	21511	•	•
Mitsubishi I4, 2003-04, 6" flange filter to mass air sensor	#390	088010	•	•
Ford Super Charged V8, 2003-04, 6" flange filter to mass air sensor	#400	21513	for #400 Adapter	09067

Silicone Hose Couplers

- Made of the Highest Grade Silicone
- Standard Temperature Range of -65° F to 350° F



08761

08050

K&N® silicone hose couplers are made of the highest grade silicone for uniformity. They have a standard temperature range of -65° F to 350° F, and are available in an assortment of sizes ranging from 2 1/8" - 5". Hump hoses also available. One year limited warranty.

DESCRIPTION	PART#	DESCRIPTION	PART#
2.125" Dia. x 2" L	85-1170	2.5" to 3.25" Step	084050
2.25" Dia. x 2" L	85-1160	2.75" to 2.38" Step	088003
2.5" Dia. x 2" L	08284	2.75" to 3" Step	08096
2.63" Dia. x 1.75" L	08108	3.25" to 3" Step	08186
2.75" Dia. x 1.50" L	08179	3.5" to 3" Step	08724
2.75" Dia. x 2" L	08756	3.5" to 3.25" Step	08051
3" Dia. x 1.75" L	08190	3.75" x 1.75" L	08536
3" Dia. x 2.5" L	08192	3.75" x 2.25" L	08760
3.25" Dia. x 2" L	08690	4" x 1.25" L	08712
3.5" Dia. x 2" L	08698	4" x 1.5" L	08755
3.63" Dia. x 2.5" L	08456	4" x 2" L	08761
3" Dia. to 2.5" Step	08713	4" x 3.5" Step	08050
2.375" to 3" Step	08188	4.5" x 1.75" L	08540

90 Degree Angled Silicone Hose Couplers



084088

DESCRIPTION	PART#
4" ID to 3.5" ID, Reinforced, Wrapped	08498
2 3/4" ID, Reinforced	084027
3" to 2 3/4" ID, Reinforced	084012
4" to 3 1/2" ID, Molded	084086
3 1/2" ID, Molded	084088
5 1/2" x 3" ID Oval to 3 1/2" ID, Round Tapered, Molded	084094
3 1/4" ID, Molded	084095
2 3/4" ID, Reinforced	08480
3 1/2" ID, Reinforced	08502
3 1/4" to 3" ID, Molded	08629
2 3/4" ID, Transition, with 3" Offset, Reinforced	084082

Weld-On MAF Sensor Adapters

- Precision CNC Machined from 6061 Aluminum
- CAD Design for Accurate Mass Air Flow Sensor Readings
- One Year Limited Warranty



08954

DESCRIPTION	PART#
A2; 2005-06 Toyota Tundra V6, 2003-08 Mazda RX8	08951
A3; Toyota, Mazda, Subaru	08952
A4; Ford, GMC, Pontiac, Chevy, Isuzu, Nissan, Infiniti, Audi, VW, Toyota	08954
A5; Ford, GM, Toyota	08955
A7; Toyota	08978

Custom Air Filter Accessories

FOR 9" CUSTOM AIR FILTER KITS	PART#
5 1/8" Flange, Base Plate	03351
5 1/8" Flange, Velocity Stack 5" High	03418
7 5/16" Flange, Base Plate	03365
7 5/16" Flange, Velocity Stack 5" High	00283
7 5/16" Flange, Top Plate	06883

FOR 11" CUSTOM AIR FILTER KITS	PART#
5 1/8" Flange, Base Plate	01988
7 5/16" Flange, Base Plate	01518

16" CUSTOM AIR FILTER KITS	PART#
7 5/16" Flange, Base Plate, 1" Drop	08984
7 5/16" Flange, Top Plate	07377

DELLORTO	PART#	DELLORTO	PART#
RAM PIPE DSS 40/20	85-5029A	RAM PIPE 45/20	85-5032A
RAM PIPE DSS 40/30	85-5030A	RAM PIPE DSS 45/40	85-5034A
RAM PIPE DSS 40/40	85-5031A		

WEBER	PART#	WEBER	PART#
RAM PIPE	85-5042A	RAM PIPE WSS 45/16	85-5045A
RAM PIPE WSS 40/26	85-5043A	RAM PIPE WSS 45/26	85-5046A
RAM PIPE WSS 40/39	85-5044A	RAM PIPE WSS 45/39	85-5047A

Legal in California only for racing vehicles which may never be used, registered or licensed for use upon a highway. See knfilters.com for CARB status on each part for a specific vehicle. These filters are not applicable, nor intended for use on aircraft.

ACCESSORIES

Valve Cover and Filter Vent Tubes



Universal adapters for smog tubes, crankcase and valve cover vents. Requires drilling hole in air filter base or valve cover. All come with mounting hardware and gasket.

DESCRIPTION	PART#
Steel 1/2" flange, 3/4" long, requires 5/8" hole	85-1050
Plastic straight adapter fits 5/8" to 3/4" hose	85-1130
Plastic 90° elbow fits 5/8" hose, requires 7/8" hole	85-1190
Plastic 90° elbow fits 1/2" hose, requires 9/16" hole	85-1120
Plastic 90° elbow fits 3/8" hose, uses rubber grommet	85-1140
Plastic 90° elbow fits 1/2" hose, uses rubber grommet	85-1150
Plastic screw-in for Ford valve covers, for mounting 1 1/2" I.D. CV filter	85-1200
Plastic screw-in for late GM valve covers, for mounting 1 1/2" I.D. CV filter	85-1210
Plastic universal mount, for any flat surface. Use 1 1/2" I.D. CV filter	85-1220

Reinforced Rubber Washers

Made of 1/8" thick reinforced neoprene rubber. Ideal for thin panels, fenders, number plates, air cleaner lids and other items that need to be rubber mounted.



DESCRIPTION	PART#
1) 1" O.D., 1/4" hole (12-10 packs per card)	81-0150
1) 1" O.D., 1/4" hole (single 10 pack)	81-0151
2) 1 1/4" O.D., 5/16" hole (12-8 packs per card)	81-0160
2) 1 1/4" O.D., 5/16" hole (single 8 pack)	81-0161

K&N® Air Filter Gaskets

Gaskets used between air filter base and mounting flange of carburetor. All gaskets are full sets and packed on display card.



DESCRIPTION	PART#
2 and 4-barrel with 5 1/8" neck (1/8" thick)	85-9988*
Dellorto DHLA 40-48	85-9635
Dellorto DRLA 45, 48	85-9783
Holley 5200 with EFC solenoid	85-9424
Solex 40 PII	85-9494
SU 1 1/2"	85-9715
Weber DCNF 36,40,42,44	85-9447
Weber DCOE 40-48 without air horns	85-9635
Weber DCOE 45-48 with air horns	85-9681
Weber DFB,DFD,DFE,DFV,DIF,DIR,DAR 32/36; Autolite 32/36;	
Holley 5200,5210 32/36; Motorcraft 32/36	85-9424
Weber DGV,DGV5A,DGAV,DGEV,DPS 32/36	85-9541
Weber IDA 48 (2-barrel)	85-9471
Weber IDF 40,44,48,48MX	85-9776

*85-9988 gaskets are made of reinforced neoprene rubber. All other gaskets listed are AN890 Armstrong paper gasket material.

Carburetor Covers

K&N® carburetor covers for 5 1/8" standard and 7 5/16" dominator carburetors.



DESCRIPTION	BLACK	RED	ORANGE
5 1/8"	85-8913CK	85-8913CR	85-8913CO
7 5/16"	85-8932CK	85-8932CR	85-8932CO

Carburetor Adapter Flanges

Quick convenient way to adapt K&N® universal filter to carburetor with flat flange.



CARBURETOR FLANGE SIZE	BOLT CIRCLE	ADAPTER O.D.	ADAPTER WIDTH	ADAPTER PART#
1 1/8" bore, 2-bolt	1 3/8"	2 3/4"	7/8"	85-1070
1" bore, 2-bolt	45mm	2 7/16"	5/8"	85-1090
1" bore, 2-bolt	40mm	2"	5/8"	85-1180

Marine Style Vent Hose Adapters

These vents mount in between the top and bottom plates of custom chrome air filter assemblies. Vent tube accommodates breather hose without drilling filter base.



HOSE SIZE	2 3/4" FILTER HT	4" FILTER HT	6" FILTER HT
1/4"	85-1325	85-1425	85-1625
3/8"	85-1337	85-1437	85-1637
1/2"	85-1350	85-1450	85-1650
5/8"	85-1362	85-1462	85-1662
3/4"	85-1375	85-1475	85-1675

Fuel Line "T" Fitting

Maximum flow, durable, light weight, easy to use. One size fits 1/4" to 3/8" I.D. hose.



DESCRIPTION	PART#
Packed 12 per card	81-0270
Packed 1 per card	81-0271

Air Filter Hardware Kits

All kits are packaged on attractive display card.



DESCRIPTION	PART#
5mm x 12mm Hex head bolts, 5mm wafer washers (6 each)	85-7855
6mm x 12mm Hex head bolts, 6mm locknuts, 6mm wafer washers (4 each)	85-7863
1/4-20 Clip nuts, 1/4-20 x 3/4" Phillips head (2 each)	85-8362
Washers: Stalen, 6mm wave, 5mm wave (6 each)	85-8221
O-ring for Weber IDA (2 each)	85-7728
O-ring for Weber DCOE (2 each)	85-7752
10-24 Acorn nuts, 10-24 wave washers (6 each)	85-7493
5mm x 10mm Socket head bolts, 5mm wave washers (4 each)	85-7848

Legal in California only for racing vehicles which may never be used, registered or licensed for use upon a highway. See knfilters.com for CARB status on each part for a specific vehicle. These filters are not applicable, nor intended for use on aircraft.

PRECHARGER®

The K&N® Precharger® is a specially designed filter wrap made to extend the service interval of your K&N® air filter when used in very dusty conditions. They are made from durable polyester material containing uniform micron openings. The Precharger will stop small dirt particles; yet add little restriction to the airflow of the filter. The Precharger is designed to be run dry and can be cleaned with K&N filter cleaner. The Precharger is custom made to fit each application. Double stitched elastic openings assure that the Precharger will stay in place. The Prechargers are available in a variety of colors.



DRYCHARGER®

K&N® Drychargers® are manufactured from a durable polyester material and are pre-treated with a proprietary hydrophobic process designed to prevent splashes of water or mud from saturating your K&N® air filter. The Drycharger will also stop small dirt particles; yet add little restriction to the airflow of the filter. Please be aware the Drycharger is water repellent, not water proof. Depending on conditions and usage the water repellent treatment is good for 1 to 2 years.

FILTER WRAPS – ROUND STRAIGHT

I.D.	HEIGHT	DESCRIPTION	PART#	I.D.	HEIGHT	DESCRIPTION	PART#
2" (51mm)	3" (76mm)	Dry-Black	62-1300DK	5" (127mm)	6" (152mm)	Pre-Black	YA-4504PK
2.5" (64mm)	10.75" (273mm)	Dry-Black	PL-5008DK	5" (127mm)	7" (178mm)	Pre-Black	22-8044PK
2.75" (70mm)	2.813" (71mm)	Dry-Black	E-4142DK	5.25" (133mm)	4.75" (121mm)	Dry-Black	SU-7005DK
3" (76mm)	12.5" (318mm)	Dry-Black	E-3810DK	5.25" (133mm)	6.25" (159mm)	Dry-Black	AC-1012DK
3" (76mm)	2.5" (64mm)	Pre-Black	RU-0150PK	5.5" (140mm)	2.25" (57mm)	Dry-Black	E-4665DK
3" (76mm)	3" (76mm)	Pre-Black	22-8008PK	5.5" (140mm)	5.5" (140mm)	Dry-Black	KA-7508DK
3" (76mm)	4" (102mm)	Pre-Black	22-8009PK	5.5" (140mm)	3" (76mm)	Pre-Black	22-8015PK
3" (76mm)	5" (127mm)	Pre-Black	RU-0210PK	5.5" (140mm)	5" (127mm)	Pre-Black	22-8016PK
3" (76mm)	6" (152mm)	Pre-Black	22-8010PK	5.563" (141mm)	6" (152mm)	Dry-Black	PL-3214DK
3" (76mm)	11.125" (283mm)	Dry-Black	PL-1014-1DK	6" (152mm)	6" (152mm)	Dry-Black	22-8045DK
3.25" (83mm)	7.063" (179mm)	Dry-Black	E-4510DK	6" (152mm)	1.75" (44mm)	Pre-Black	E-3211PK
3.25" (83mm)	2.5" (64mm)	Pre-Black	22-8007PK	6" (152mm)	1.75" (44mm)	Pre-Blue	E-3211PL
3.25" (83mm)	3.5" (89mm)	Pre-Black	AC-3098PK	6" (152mm)	1.75" (44mm)	Pre-Red	E-3211PR
3.313" (84mm)	5.5" (140mm)	Pre-Black	YA-2597PK	6" (152mm)	2" (51mm)	Pre-Black	22-8017PK
3.5" (89mm)	1.5" (38mm)	Dry-Black	RC-0170DK	6" (152mm)	3.25" (83mm)	Pre-Black	E-3190PK
3.5" (89mm)	4" (102mm)	Pre-Black	RU-0500PK	6" (152mm)	3.25" (83mm)	Pre-Blue	E-3190PL
3.5" (89mm)	5" (127mm)	Pre-Black	RU-0510PK	6" (152mm)	3.25" (83mm)	Pre-Red	E-3190PR
3.5" (89mm)	5" (127mm)	Pre-Blue	RU-0510PL	6" (152mm)	3.25" (83mm)	Pre-Yellow	E-3190PY
3.5" (89mm)	5" (127mm)	Pre-Red	RU-0510PR	6" (152mm)	3.5" (89mm)	Pre-Black	22-8018PK
3.5" (89mm)	5" (127mm)	Pre-Yellow	RU-0510PY	6.188" (157mm)	7.563" (192mm)	Dry-Black	E-4710DK
3.5" (89mm)	6" (152mm)	Pre-Black	RU-0520PK	6.25" (159mm)	1.5" (38mm)	Dry-Black	RC-3028DK
3.625" (92mm)	9" (229mm)	Pre-Black	YA-4350PK	6.25" (159mm)	1.5" (38mm)	Dry-Blue	RC-3028DL
3.875" (98mm)	4.25" (108mm)	Pre-Red	HA-3098PR	6.25" (159mm)	1.5" (38mm)	Dry-Red	RC-3028DR
3.875" (98mm)	4.313" (110mm)	Pre-Red	HA-2090PR	6.25" (159mm)	1.5" (38mm)	Dry-Yellow	RC-3028DY
3.875" (98mm)	5.875" (149mm)	Pre-Black	YA-3504PK	7" (178mm)	2" (51mm)	Dry-Black	E-4521DK
3.938" (100mm)	5.625" (143mm)	Pre-Black	YA-4001PK	7" (178mm)	2.25" (57mm)	Dry-Black	E-4518DK
4" (102mm)	7" (178mm)	Dry-Black	PL-5006DK	7" (178mm)	2" (51mm)	Pre-Black	E-3360PK
4" (102mm)	4" (102mm)	Pre-Black	22-8011PK	7" (178mm)	2" (51mm)	Pre-Red	E-3360PR
4" (102mm)	4.25" (108mm)	Pre-Black	PL-1004PK	7" (178mm)	3" (76mm)	Pre-Black	E-3380PK
4" (102mm)	5" (127mm)	Pre-Black	RU-1460PK	7" (178mm)	3" (76mm)	Pre-Blue	E-3380PL
4" (102mm)	6" (152mm)	Pre-Black	RU-1470PK	7" (178mm)	3" (76mm)	Pre-Red	E-3380PR
4" (102mm)	7" (178mm)	Pre-Black	PL-1003PK	7" (178mm)	3" (76mm)	Pre-Black	RU-0980PK
4" (102mm)	7" (178mm)	Pre-Black	RU-1480PK	7" (178mm)	4" (102mm)	Pre-Black	22-8019PK
4.5" (114mm)	4" (102mm)	Dry-Black	RB-0900DK	7" (178mm)	4" (102mm)	Pre-Black	E-2510PK
4.5" (114mm)	3.563" (90mm)	Pre-Blue	KA-2288PL	7" (178mm)	4" (102mm)	Pre-Blue	E-2510PL
4.5" (114mm)	3.625" (92mm)	Pre-Blue	KA-4093PL	7" (178mm)	4" (102mm)	Pre-Red	E-2510PR
4.5" (114mm)	4" (102mm)	Pre-Black	22-8012PK	7" (178mm)	4" (102mm)	Pre-Yellow	E-2510PY
4.5" (114mm)	5" (127mm)	Pre-Black	22-8013PK	7" (178mm)	5" (127mm)	Pre-Black	22-8020PK
4.5" (114mm)	6" (152mm)	Pre-Red	HA-4504PR	7" (178mm)	6" (152mm)	Pre-Black	22-8021PK
4.625" (117mm)	5" (127mm)	Pre-Red	HA-3094PR	7" (178mm)	9" (229mm)	Pre-Black	22-8022PK
4.75" (121mm)	4.625" (117mm)	Pre-Black	HA-5000PK	7.5" (191mm)	2.25" (57mm)	Pre-Black	RK-3901PK
5" (127mm)	5" (127mm)	Dry-Black	RC-5182DK	7.625" (194mm)	10" (254mm)	Dry-Red	RU-3270DR
5" (127mm)	5.5" (140mm)	Dry-Black	CM-4508DK	9" (229mm)	2" (51mm)	Pre-Black	E-3527PK
5" (127mm)	6.625" (168mm)	Dry-Black	KA-4508DK	9" (229mm)	2" (51mm)	Pre-Blue	E-3527PL
5" (127mm)	7.25" (184mm)	Dry-Black	PL-8007DK	9" (229mm)	2" (51mm)	Pre-Red	E-3527PR
5" (127mm)	3.688" (94mm)	Pre-Yellow	SU-4250PY	9" (229mm)	2" (51mm)	Pre-Yellow	E-3527PY
5" (127mm)	4" (102mm)	Pre-Black	22-8014PK	9" (229mm)	3" (76mm)	Pre-Black	E-3530PK
5" (127mm)	5" (127mm)	Pre-Black	RU-2430PK	9" (229mm)	3" (76mm)	Pre-Blue	E-3530PL

FILTER WRAPS

FILTER WRAPS – ROUND STRAIGHT CONTINUED

I.D.	HEIGHT	DESCRIPTION	PART#
9" (229mm)	3" (76mm)	Pre-Red	E-3530PR
9" (229mm)	3" (76mm)	Pre-Yellow	E-3530PY
9" (229mm)	5" (127mm)	Pre-Black	E-3650PK
9" (229mm)	5" (127mm)	Pre-Blue	E-3650PL
9" (229mm)	5" (127mm)	Pre-Red	E-3650PR
9" (229mm)	5" (127mm)	Pre-Yellow	E-3650PY
11" (279mm)	2" (51mm)	Pre-Black	22-8000PK
11" (279mm)	3.5" (89mm)	Pre-Black	E-1250PK
11" (279mm)	3.5" (89mm)	Pre-Blue	E-1250PL
11" (279mm)	3.5" (89mm)	Pre-Red	E-1250PR
11" (279mm)	3.5" (89mm)	Pre-Yellow	E-1250PY
11" (279mm)	4" (102mm)	Pre-Black	22-8001PK
11" (279mm)	5" (127mm)	Pre-Black	E-3680PK
11" (279mm)	5" (127mm)	Pre-Blue	E-3680PL
11" (279mm)	5" (127mm)	Pre-Red	E-3680PR
11" (279mm)	6" (152mm)	Pre-Black	E-3690PK
11" (279mm)	6" (152mm)	Pre-Blue	E-3690PL
11" (279mm)	6" (152mm)	Pre-Red	E-3690PR
11" (279mm)	6" (152mm)	Pre-Yellow	E-3690PY
11.75" (298mm)	2.5" (64mm)	Dry-Black	E-3016DK
14" (356mm)	2.25" (57mm)	Pre-Black	22-1422PK
14" (356mm)	2.25" (57mm)	Pre-Blue	22-1422PL
14" (356mm)	2.25" (57mm)	Pre-Red	22-1422PR
14" (356mm)	2.25" (57mm)	Pre-Yellow	22-1422PY
14" (356mm)	2.25" (57mm)	Pre-Black	E-3740PK
14" (356mm)	2.25" (57mm)	Pre-Blue	E-3740PL
14" (356mm)	2.25" (57mm)	Pre-Red	E-3740PR
14" (356mm)	2.25" (57mm)	Pre-Yellow	E-3740PY
14" (356mm)	3" (76mm)	Pre-Black	22-1430PK
14" (356mm)	3" (76mm)	Pre-Blue	22-1430PL

I.D.	HEIGHT	DESCRIPTION	PART#
14" (356mm)	3" (76mm)	Pre-Blue	22-1430PL
14" (356mm)	3" (76mm)	Pre-Red	22-1430PR
14" (356mm)	3" (76mm)	Pre-Yellow	22-1430PY
14" (356mm)	3" (76mm)	Pre-Black	E-1650PK
14" (356mm)	3" (76mm)	Pre-Blue	E-1650PL
14" (356mm)	3" (76mm)	Pre-Red	E-1650PR
14" (356mm)	3" (76mm)	Pre-Yellow	E-1650PY
14" (356mm)	4" (102mm)	Pre-Black	22-1440PK
14" (356mm)	4" (102mm)	Pre-Blue	22-1440PL
14" (356mm)	4" (102mm)	Pre-Red	22-1440PR
14" (356mm)	4" (102mm)	Pre-Yellow	22-1440PY
14" (356mm)	4" (102mm)	Pre-Black	E-3750PK
14" (356mm)	4" (102mm)	Pre-Blue	E-3750PL
14" (356mm)	4" (102mm)	Pre-Red	E-3750PR
14" (356mm)	4" (102mm)	Pre-Yellow	E-3750PY
14" (356mm)	5" (127mm)	Pre-Black	22-1450PK
14" (356mm)	5" (127mm)	Pre-Blue	22-1450PL
14" (356mm)	5" (127mm)	Pre-Red	22-1450PR
14" (356mm)	5" (127mm)	Pre-Yellow	22-1450PY
14" (356mm)	5" (127mm)	Pre-Black	E-3760PK
14" (356mm)	5" (127mm)	Pre-Blue	E-3760PL
14" (356mm)	5" (127mm)	Pre-Red	E-3760PR
14" (356mm)	5" (127mm)	Pre-Yellow	E-3760PY
14" (356mm)	6" (152mm)	Pre-Black	E-3770PK
14" (356mm)	6" (152mm)	Pre-Blue	E-3770PL
14" (356mm)	6" (152mm)	Pre-Red	E-3770PR
14" (356mm)	6" (152mm)	Pre-Yellow	E-3770PY
16" (406mm)	2" (51mm)	Pre-Black	22-8002PK
16" (406mm)	4" (102mm)	Pre-Black	22-8004PK

FILTER WRAPS – ROUND TAPERED

BASE I.D.	TOP I.D.	HEIGHT	DESC.	PART#
2.25" (57mm)	2" (51mm)	2.5" (64mm)	Pre-Black	RC-2540PK
2.5" (64mm)	2" (51mm)	2.25" (57mm)	Pre-Black	RC-0790PK
3" (76mm)	2" (51mm)	3" (76mm)	Pre-Black	22-8028PK
3" (76mm)	2" (51mm)	4" (102mm)	Pre-Black	22-8048PK
3.5" (89mm)	2" (51mm)	4" (102mm)	Pre-Black	RC-1200PK
3.75" (95mm)	2" (51mm)	5" (127mm)	Pre-Black	22-8029PK
3.875" (98mm)	3.5" (89mm)	3.813" (97mm)	Pre-Red	HA-3500PR
4" (102mm)	3.75" (95mm)	1.5" (38mm)	Dry-Black	59-2045DK
4" (102mm)	2" (51mm)	6" (152mm)	Dry-Black	22-8030DK
4.313" (110mm)	4.25" (108mm)	5.313" (135mm)	Pre-Black	KA-3603PK
4.375" (111mm)	4.5" (114mm)	4.5" (114mm)	Pre-Red	HA-2504PR
4.5" (114mm)	3.5" (89mm)	2.5" (64mm)	Dry-Red	22-2042PR
4.5" (114mm)	3" (76mm)	4" (102mm)	Dry-Blue	22-2040PL
4.5" (114mm)	3" (76mm)	4" (102mm)	Dry-Red	22-2040PR
4.5" (114mm)	3.5" (89mm)	4" (102mm)	Pre-Black	AC-4096PK
4.5" (114mm)	3.5" (89mm)	5.375" (137mm)	Pre-Black	SU-4002PK
4.5" (114mm)	4" (102mm)	6.125" (156mm)	Pre-Black	RX-3820PK
4.5" (114mm)	4" (102mm)	6.125" (156mm)	Pre-Red	RX-3500PR
4.5" (114mm)	4" (102mm)	6.5" (165mm)	Pre-Black	22-8031PK
4.625" (117mm)	3.75" (95mm)	3.438" (87mm)	Pre-Black	22-8088PK
4.625" (117mm)	3.5" (89mm)	6.75" (171mm)	Dry-Black	YA-3502DK
4.625" (117mm)	3.5" (89mm)	6.75" (171mm)	Pre-Black	YA-3502PK
4.688" (119mm)	3.5" (89mm)	4.875" (124mm)	Dry-Black	RC-9350DK
4.688" (119mm)	3.5" (89mm)	4.875" (124mm)	Dry-Blue	RC-9350DL
4.688" (119mm)	3.5" (89mm)	4.875" (124mm)	Dry-Red	RC-9350DR
4.688" (119mm)	3.5" (89mm)	4.875" (124mm)	Dry-Yellow	RC-9350DY
4.75" (121mm)	4.5" (114mm)	4.75" (121mm)	Dry-Black	HA-6806DK
4.75" (121mm)	3.5" (89mm)	5.875" (149mm)	Dry-Black	RC-9310DK
4.75" (121mm)	3.5" (89mm)	7" (178mm)	Dry-Black	RU-3130DK
4.75" (121mm)	3.5" (89mm)	6" (152mm)	Pre-Red	HA-4250PR
5" (127mm)	4" (102mm)	6" (152mm)	Dry-Black	PL-5207DK

BASE I.D.	TOP I.D.	HEIGHT	DESC.	PART#
5" (127mm)	4" (102mm)	6" (152mm)	Dry-Black	RC-4650DK
5" (127mm)	4" (102mm)	6" (152mm)	Dry-Blue	RC-4650DL
5" (127mm)	4" (102mm)	6" (152mm)	Dry-Red	RC-4650DR
5" (127mm)	4" (102mm)	6" (152mm)	Dry-Yellow	RC-4650DY
5" (127mm)	4" (102mm)	7.875" (200mm)	Dry-Black	RC-4690DK
5" (127mm)	4" (102mm)	7.875" (200mm)	Dry-Blue	RC-4690DL
5" (127mm)	4" (102mm)	7.875" (200mm)	Dry-Red	RC-4690DR
5" (127mm)	4" (102mm)	7.875" (200mm)	Dry-Yellow	RC-4690DY
5" (127mm)	4.5" (114mm)	4.5" (114mm)	Pre-Red	HA-4400PR
5" (127mm)	4" (102mm)	7" (178mm)	Pre-Black	22-8032PK
5" (127mm)	4.75" (121mm)	8" (203mm)	Pre-Black	RE-0910PK
5.125" (130mm)	3.5" (89mm)	6" (152mm)	Dry-Black	RC-4160DK
5.125" (130mm)	4.5" (114mm)	4.188" (106mm)	Pre-Red	HA-3093PR
5.25" (133mm)	3" (76mm)	6" (152mm)	Dry-Blue	22-2030PL
5.25" (133mm)	3" (76mm)	6" (152mm)	Dry-Red	22-2030PR
5.375" (137mm)	4" (102mm)	5.5" (140mm)	Dry-Black	RP-4660DK
5.375" (137mm)	4" (102mm)	5.5" (140mm)	Dry-Blue	RP-4660DL
5.375" (137mm)	4" (102mm)	5.5" (140mm)	Dry-Red	RP-4660DR
5.375" (137mm)	4" (102mm)	5.5" (140mm)	Dry-Yellow	RP-4660DY
5.375" (137mm)	4" (102mm)	6.5" (165mm)	Dry-Black	RC-5149DK
5.375" (137mm)	4.375" (111mm)	7" (178mm)	Dry-Black	RU-2590DK
5.375" (137mm)	4.375" (111mm)	3.5" (89mm)	Pre-Red	HA-2440PR
5.5" (140mm)	4.5" (114mm)	6.5" (165mm)	Dry-Black	RC-4630DK
5.5" (140mm)	4.5" (114mm)	6.5" (165mm)	Dry-Blue	RC-4630DL
5.5" (140mm)	4.5" (114mm)	6.5" (165mm)	Dry-Red	RC-4630DR
5.5" (140mm)	4.5" (114mm)	6.5" (165mm)	Dry-Yellow	RC-4630DY
5.5" (140mm)	4" (102mm)	8" (203mm)	Dry-Black	RF-1045DK
5.5" (140mm)	4" (102mm)	8" (203mm)	Dry-Blue	RF-1045DL
5.5" (140mm)	4" (102mm)	8" (203mm)	Dry-Red	RF-1045DR
5.5" (140mm)	4" (102mm)	8" (203mm)	Dry-Yellow	RF-1045DY
5.75" (146mm)	4.5" (114mm)	6" (152mm)	Dry-Black	RF-1023DK

FILTER WRAPS – ROUND TAPERED CONTINUED

BASE I.D.	TOP I.D.	HEIGHT	DESC.	PART#
5.75" (146mm)	4.5" (114mm)	6" (152mm)	Dry-Blue	RF-1023DL
5.75" (146mm)	4.5" (114mm)	6" (152mm)	Dry-Red	RF-1023DR
5.75" (146mm)	3.5" (89mm)	6" (152mm)	Dry-Black	RF-1035DK
5.75" (146mm)	3.5" (89mm)	6" (152mm)	Dry-Blue	RF-1035DL
5.75" (146mm)	3.5" (89mm)	6" (152mm)	Dry-Red	RF-1035DR
5.75" (146mm)	3.5" (89mm)	6" (152mm)	Dry-Yellow	RF-1035DY
5.813" (148mm)	4" (102mm)	6" (152mm)	Dry-Black	RU-5168DK
5.875" (149mm)	4.938" (125mm)	4" (102mm)	Pre-Yellow	SU-5098PY
5.875" (149mm)	5" (127mm)	6" (152mm)	Pre-Black	RU-3480PK
6" (152mm)	5" (127mm)	5.563" (141mm)	Dry-Black	RX-4990DK
6" (152mm)	5" (127mm)	5.563" (141mm)	Dry-Blue	RX-4990DL
6" (152mm)	5" (127mm)	5.563" (141mm)	Dry-Red	RX-4990DR
6" (152mm)	5" (127mm)	5.563" (141mm)	Dry-Yellow	RX-4990DY
6" (152mm)	5" (127mm)	6.5" (165mm)	Dry-Black	RX-4730DK
6" (152mm)	5" (127mm)	6.5" (165mm)	Dry-Blue	RX-4730DL
6" (152mm)	5" (127mm)	6.5" (165mm)	Dry-Red	RX-4730DR
6" (152mm)	5" (127mm)	6.5" (165mm)	Dry-Yellow	RX-4730DY
6" (152mm)	4" (102mm)	6.75" (171mm)	Dry-Black	RC-4700DK
6" (152mm)	4" (102mm)	6.75" (171mm)	Dry-Blue	RC-4700DL
6" (152mm)	4" (102mm)	6.75" (171mm)	Dry-Red	RC-4700DR
6" (152mm)	4" (102mm)	6.75" (171mm)	Dry-Yellow	RC-4700DY
6" (152mm)	5" (127mm)	7" (178mm)	Dry-Black	RC-5100DK
6" (152mm)	5" (127mm)	7" (178mm)	Dry-Blue	RC-5100DL
6" (152mm)	5" (127mm)	7" (178mm)	Dry-Red	RC-5100DR
6" (152mm)	5" (127mm)	7" (178mm)	Dry-Yellow	RC-5100DY
6" (152mm)	4.5" (114mm)	7" (178mm)	Dry-Black	RF-1015DK
6" (152mm)	4.5" (114mm)	7" (178mm)	Dry-Blue	RF-1015DL
6" (152mm)	4.5" (114mm)	7" (178mm)	Dry-Red	RF-1015DR
6" (152mm)	4.5" (114mm)	7" (178mm)	Dry-Yellow	RF-1015DY
6" (152mm)	4.5" (114mm)	8" (203mm)	Dry-Black	RC-5106DK
6" (152mm)	4.5" (114mm)	8" (203mm)	Dry-Blue	RC-5106DL
6" (152mm)	4.5" (114mm)	8" (203mm)	Dry-Red	RC-5106DR
6" (152mm)	4.5" (114mm)	8" (203mm)	Dry-Yellow	RC-5106DY
6" (152mm)	4.5" (114mm)	9" (229mm)	Dry-Black	RC-3690DK
6" (152mm)	4.5" (114mm)	9" (229mm)	Dry-Blue	RC-3690DL
6" (152mm)	4.5" (114mm)	9" (229mm)	Dry-Red	RC-3690DR
6" (152mm)	4.5" (114mm)	9" (229mm)	Dry-Yellow	RC-3690DY
6" (152mm)	4.625" (117mm)	12" (305mm)	Pre-Black	22-8034PK
6" (152mm)	4.625" (117mm)	14" (356mm)	Pre-Black	22-8035PK
6" (152mm)	4.625" (117mm)	6" (152mm)	Pre-Black	22-8033PK
6" (152mm)	4.625" (117mm)	9" (229mm)	Pre-Black	RE-0810PK
6.125" (156mm)	5.125" (130mm)	3.938" (100mm)	Dry-Black	SU-4506DK
6.25" (159mm)	5.5" (140mm)	2.125" (54mm)	Dry-Black	HD-0800DK
6.25" (159mm)	4.375" (111mm)	4.125" (105mm)	Dry-Black	RU-5163DK
6.313" (160mm)	5.438" (138mm)	3" (76mm)	Pre-Black	SU-4000PK
6.5" (165mm)	4.5" (114mm)	5.5" (140mm)	Dry-Black	RU-5147DK
6.5" (165mm)	4.5" (114mm)	6" (152mm)	Dry-Black	RC-5060DK
6.5" (165mm)	4.5" (114mm)	6" (152mm)	Dry-Blue	RC-5060DL
6.5" (165mm)	4.5" (114mm)	6" (152mm)	Dry-Red	RC-5060DR
6.5" (165mm)	4.5" (114mm)	6" (152mm)	Dry-Yellow	RC-5060DY
6.5" (165mm)	5" (127mm)	6.5" (165mm)	Dry-Black	RF-1037DK
6.5" (165mm)	5" (127mm)	6.5" (165mm)	Dry-Blue	RF-1037DL
6.5" (165mm)	5" (127mm)	6.5" (165mm)	Dry-Red	RF-1037DR
6.5" (165mm)	5" (127mm)	6.5" (165mm)	Dry-Yellow	RF-1037DY
6.5" (165mm)	4.5" (114mm)	7" (178mm)	Dry-Black	RF-1032DK
6.5" (165mm)	4.5" (114mm)	7" (178mm)	Dry-Blue	RF-1032DL
6.5" (165mm)	4.5" (114mm)	7" (178mm)	Dry-Red	RF-1032DR
6.5" (165mm)	4.5" (114mm)	7" (178mm)	Dry-Yellow	RF-1032DY
6.5" (165mm)	4.5" (114mm)	8" (203mm)	Dry-Black	RF-1027DK
6.5" (165mm)	4.5" (114mm)	8" (203mm)	Dry-Blue	RF-1027DL
6.5" (165mm)	4.5" (114mm)	8" (203mm)	Dry-Red	RF-1027DR
6.5" (165mm)	4.5" (114mm)	8" (203mm)	Dry-Yellow	RF-1027DY
6.625" (168mm)	5.25" (133mm)	9.5" (241mm)	Dry-Black	RC-4780DK
6.625" (168mm)	6.25" (159mm)	9.5" (241mm)	Dry-Blue	RC-4780DL
6.625" (168mm)	5.25" (133mm)	9.5" (241mm)	Dry-Red	RC-4780DR
6.625" (168mm)	5.25" (133mm)	9.5" (241mm)	Dry-Yellow	RC-4780DY

BASE I.D.	TOP I.D.	HEIGHT	DESC.	PART#
6.75" (171mm)	5.875" (149mm)	9.5" (241mm)	Dry-Black	RU-5045DK
7" (178mm)	3.75" (95mm)	1" (25mm)	Dry-Black	E-2435DK
7.375" (187mm)	6.625" (168mm)	7.875" (200mm)	Dry-Black	RC-4900DK
7.375" (187mm)	6.625" (168mm)	7.875" (200mm)	Dry-Blue	RC-4900DL
7.375" (187mm)	6.625" (168mm)	7.875" (200mm)	Dry-Red	RC-4900DR
7.375" (187mm)	6.625" (168mm)	7.875" (200mm)	Dry-Yellow	RC-4900DY
7.5" (191mm)	7" (178mm)	11" (279mm)	Dry-Black	RF-1026DK
7.5" (191mm)	7" (178mm)	11" (279mm)	Dry-Blue	RF-1026DL
7.5" (191mm)	7" (178mm)	11" (279mm)	Dry-Red	RF-1026DR
7.5" (191mm)	7" (178mm)	18" (457mm)	Dry-Black	RC-3070DK
7.5" (191mm)	5.875" (149mm)	3" (76mm)	Dry-Black	RF-1028DK
7.5" (191mm)	5.875" (149mm)	3" (76mm)	Dry-Blue	RF-1028DL
7.5" (191mm)	5.875" (149mm)	3" (76mm)	Dry-Red	RF-1028DR
7.5" (191mm)	5.875" (149mm)	3" (76mm)	Dry-Yellow	RF-1028DY
7.5" (191mm)	5" (127mm)	4" (102mm)	Dry-Black	RF-1009DK
7.5" (191mm)	5" (127mm)	4" (102mm)	Dry-Blue	RF-1009DL
7.5" (191mm)	5" (127mm)	4" (102mm)	Dry-Red	RF-1009DR
7.5" (191mm)	5" (127mm)	4" (102mm)	Dry-Yellow	RF-1009DY
7.5" (191mm)	5" (127mm)	5" (127mm)	Dry-Black	22-8049DK
7.5" (191mm)	5.875" (149mm)	6" (152mm)	Dry-Black	RC-5173DK
7.5" (191mm)	5" (127mm)	6" (152mm)	Dry-Black	RF-1036DK
7.5" (191mm)	5" (127mm)	6" (152mm)	Dry-Blue	RF-1036DL
7.5" (191mm)	5" (127mm)	6" (152mm)	Dry-Yellow	RF-1036DY
7.5" (191mm)	4.5" (114mm)	6" (152mm)	Dry-Black	RF-1048DK
7.5" (191mm)	4.5" (114mm)	6" (152mm)	Dry-Blue	RF-1048DL
7.5" (191mm)	4.5" (114mm)	6" (152mm)	Dry-Red	RF-1048DR
7.5" (191mm)	4.5" (114mm)	6" (152mm)	Dry-Yellow	RF-1048DY
7.5" (191mm)	4.5" (114mm)	6.5" (165mm)	Dry-Black	RC-5107DK
7.5" (191mm)	4.5" (114mm)	6.5" (165mm)	Dry-Blue	RC-5107DL
7.5" (191mm)	4.5" (114mm)	6.5" (165mm)	Dry-Red	RC-5107DR
7.5" (191mm)	4.5" (114mm)	6.5" (165mm)	Dry-Yellow	RC-5107DY
7.5" (191mm)	5.875" (149mm)	6.5" (165mm)	Dry-Black	RF-1014DK
7.5" (191mm)	5.875" (149mm)	6.5" (165mm)	Dry-Blue	RF-1014DL
7.5" (191mm)	5.875" (149mm)	6.5" (165mm)	Dry-Red	RF-1014DR
7.5" (191mm)	5.875" (149mm)	6.5" (165mm)	Dry-Yellow	RF-1014DY
7.5" (191mm)	5" (127mm)	6.5" (165mm)	Dry-Black	RF-1042DK
7.5" (191mm)	5" (127mm)	6.5" (165mm)	Dry-Blue	RF-1042DL
7.5" (191mm)	5" (127mm)	6.5" (165mm)	Dry-Red	RF-1042DR
7.5" (191mm)	5" (127mm)	6.5" (165mm)	Dry-Yellow	RF-1042DY
7.5" (191mm)	5.125" (130mm)	7" (178mm)	Dry-Black	RF-1029DK
7.5" (191mm)	5.125" (130mm)	7" (178mm)	Dry-Blue	RF-1029DL
7.5" (191mm)	5.125" (130mm)	7" (178mm)	Dry-Red	RF-1029DR
7.5" (191mm)	5.125" (130mm)	7" (178mm)	Dry-Yellow	RF-1029DY
7.5" (191mm)	5" (127mm)	7.5" (191mm)	Dry-Black	RF-1041DK
7.5" (191mm)	5" (127mm)	7.5" (191mm)	Dry-Blue	RF-1041DL
7.5" (191mm)	5" (127mm)	7.5" (191mm)	Dry-Red	RF-1041DR
7.5" (191mm)	5" (127mm)	7.5" (191mm)	Dry-Yellow	RF-1041DY
7.5" (191mm)	5" (127mm)	8" (203mm)	Dry-Black	22-8038DK
7.5" (191mm)	7" (178mm)	8" (203mm)	Dry-Black	RF-1017DK
7.5" (191mm)	7" (178mm)	8" (203mm)	Dry-Blue	RF-1017DL
7.5" (191mm)	7" (178mm)	8" (203mm)	Dry-Red	RF-1017DR
7.5" (191mm)	7" (178mm)	8" (203mm)	Dry-Yellow	RF-1017DY
7.5" (191mm)	5" (127mm)	8" (203mm)	Dry-Black	RF-1020DK
7.5" (191mm)	5" (127mm)	8" (203mm)	Dry-Red	RF-1020DR
7.5" (191mm)	5.875" (149mm)	8.5" (216mm)	Dry-Blue	RF-1020DL
7.5" (191mm)	5.875" (149mm)	8.5" (216mm)	Dry-Yellow	RF-1020DY
7.5" (191mm)	4.5" (114mm)	9" (229mm)	Dry-Black	RC-5046DK
7.5" (191mm)	4.5" (114mm)	9" (229mm)	Dry-Blue	RC-5046DL
7.5" (191mm)	4.5" (114mm)	9" (229mm)	Dry-Red	RC-5046DR
7.5" (191mm)	4.5" (114mm)	9" (229mm)	Dry-Yellow	RC-5046DY
7.5" (191mm)	5" (127mm)	4" (102mm)	Pre-Black	22-8036PK
7.5" (191mm)	7" (178mm)	8" (203mm)	Pre-Black	22-8050PK
8" (203mm)	6.625" (168mm)	10.5" (267mm)	Dry-Black	RC-5166DK
8" (203mm)	7" (178mm)	13" (330mm)	Dry-Black	RC-5165DK
8" (203mm)	6.625" (168mm)	8" (203mm)	Dry-Black	RC-5112DK
9" (229mm)	6.625" (168mm)	7.5" (191mm)	Dry-Black	RC-5139DK

RACING, HOT ROD, & CUSTOM PRODUCTS

FILTER WRAPS – OVAL TAPERED

BASE" SIDE LENGTH	BASE" SIDE WIDTH	TOP" SIDE LENGTH	TOP" SIDE WIDTH	HEIGHT	DESC.	PART#
3" (76mm)	3.75" (95mm)	3" (76mm)	2" (51mm)	6" (152mm)	Dry-Black	RC-3680DK
4" (102mm)	3" (76mm)	3" (76mm)	2" (51mm)	2.75" (70mm)	Dry-Black	RC-1820DK
4" (102mm)	3" (76mm)	3.5" (89mm)	2.5" (64mm)	2.75" (70mm)	Dry-Black	RU-0981DK
4" (102mm)	3" (76mm)	3" (76mm)	2" (51mm)	4" (102mm)	Dry-Black	RC-2890DK
4" (102mm)	3.25" (83mm)	3.5" (89mm)	2.5" (64mm)	7" (178mm)	Dry-Black	SN-2560DK
4.5" (114mm)	3.75" (95mm)	3.5" (89mm)	2.5" (64mm)	2.75" (70mm)	Dry-Black	RU-2780DK
5.625" (143mm)	4.125" (105mm)	4.5" (114mm)	3.25" (83mm)	2.5" (64mm)	Pre-Blue	KA-6589PL
6" (152mm)	3.75" (95mm)	4.25" (108mm)	3.25" (83mm)	5" (127mm)	Pre-Black	RU-4720PK
6.25" (159mm)	3.75" (95mm)	4.5" (114mm)	3.5" (89mm)	6.75" (171mm)	Pre-Black	RU-4710PK
6.375" (162mm)	4.75" (121mm)	4.5" (114mm)	3.25" (83mm)	2.75" (70mm)	Pre-Black	YA-2088PK
6.5" (165mm)	4.5" (114mm)	9" (229mm)	5.5" (140mm)	6.25" (159mm)	Pre-Black	RD-4200PK
6.5" (165mm)	4.5" (114mm)	9" (229mm)	5.5" (140mm)	6.25" (159mm)	Pre-Blue	RD-4200PL
6.5" (165mm)	4.5" (114mm)	9" (229mm)	5.5" (140mm)	6.25" (159mm)	Pre-Red	RD-4200PR
6.5" (165mm)	4.5" (114mm)	9" (229mm)	5.5" (140mm)	6.25" (159mm)	Pre-Yellow	RD-4200PY
7" (178mm)	4.5" (114mm)	6.25" (159mm)	4" (102mm)	3" (76mm)	Dry-Blue	22-2015PL
7" (178mm)	4.5" (114mm)	6.25" (159mm)	4" (102mm)	3" (76mm)	Dry-Red	22-2015PR
7" (178mm)	5.5" (140mm)	5.25" (133mm)	4.25" (108mm)	5" (127mm)	Dry-Black	RC-70031DK
7.75" (197mm)	5.5" (140mm)	6.25" (159mm)	4" (102mm)	5" (127mm)	Dry-Black	RF-1001DK
7.75" (197mm)	5.5" (140mm)	6.25" (159mm)	4" (102mm)	5" (127mm)	Dry-Blue	RF-1001DL
7.75" (197mm)	5.5" (140mm)	6.25" (159mm)	4" (102mm)	5" (127mm)	Dry-Red	RF-1001DR
7.75" (197mm)	5.5" (140mm)	6.25" (159mm)	4" (102mm)	5" (127mm)	Dry-Yellow	RF-1001DY
8.5" (216mm)	5.25" (133mm)	6.25" (159mm)	4" (102mm)	5.5" (140mm)	Dry-Black	RC-5040DK
8.5" (216mm)	5.25" (133mm)	6.25" (159mm)	4" (102mm)	5.5" (140mm)	Dry-Blue	RC-5040DL
8.5" (216mm)	5.25" (133mm)	6.25" (159mm)	4" (102mm)	5.5" (140mm)	Dry-Red	RC-5040DR
8.5" (216mm)	5.25" (133mm)	6.25" (159mm)	4" (102mm)	5.5" (140mm)	Dry-Yellow	RC-5040DY
8.75" (222mm)	5" (127mm)	6.25" (159mm)	4" (102mm)	9" (229mm)	Dry-Black	RF-1012DK
8.75" (222mm)	5" (127mm)	6.25" (159mm)	4" (102mm)	9" (229mm)	Dry-Blue	RF-1012DL
8.75" (222mm)	5" (127mm)	6.25" (159mm)	4" (102mm)	9" (229mm)	Dry-Red	RF-1012DR
8.75" (222mm)	5" (127mm)	6.25" (159mm)	4" (102mm)	9" (229mm)	Dry-Yellow	RF-1012DY
9" (229mm)	5.75" (146mm)	7" (178mm)	4.5" (114mm)	7.5" (191mm)	Dry-Black	RF-1034DK
9" (229mm)	5.75" (146mm)	7" (178mm)	4.5" (114mm)	7.5" (191mm)	Dry-Blue	RF-1034DL
9" (229mm)	5.75" (146mm)	7" (178mm)	4.5" (114mm)	7.5" (191mm)	Dry-Red	RF-1034DR
9" (229mm)	5.75" (146mm)	7" (178mm)	4.5" (114mm)	7.5" (191mm)	Dry-Yellow	RF-1034DY
9.25" (235mm)	6.25" (159mm)	7" (178mm)	4.5" (114mm)	10" (254mm)	Dry-Black	RF-1024DK
9.25" (235mm)	6.25" (159mm)	7" (178mm)	4.5" (114mm)	10" (254mm)	Dry-Blue	RF-1024DL
9.25" (235mm)	6.25" (159mm)	7" (178mm)	4.5" (114mm)	10" (254mm)	Dry-Red	RF-1024DR
9.25" (235mm)	6.25" (159mm)	7" (178mm)	4.5" (114mm)	10" (254mm)	Dry-Yellow	RF-1024DY
9.5" (241mm)	6.75" (171mm)	9" (229mm)	5.5" (140mm)	8.938" (227mm)	Dry-Black	RC-5102DK
9.5" (241mm)	6.75" (171mm)	9" (229mm)	5.5" (140mm)	8.938" (227mm)	Dry-Blue	RC-5102DL
9.5" (241mm)	6.75" (171mm)	9" (229mm)	5.5" (140mm)	8.938" (227mm)	Dry-Red	RC-5102DR
9.5" (241mm)	6.75" (171mm)	9" (229mm)	5.5" (140mm)	8.938" (227mm)	Dry-Yellow	RC-5102DY
12" (305mm)	6" (152mm)	9.938" (252mm)	3.938" (100mm)	7" (178mm)	Dry-Black	RP-5103DK
12" (305mm)	6" (152mm)	9.938" (252mm)	3.938" (100mm)	7" (178mm)	Dry-Blue	RP-5103DL
12" (305mm)	6" (152mm)	9.938" (252mm)	3.938" (100mm)	7" (178mm)	Dry-Red	RP-5103DR
12" (305mm)	6" (152mm)	9.938" (252mm)	3.938" (100mm)	7" (178mm)	Dry-Yellow	RP-5103DY
18.75" (476mm)	5" (127mm)	16.75" (425mm)	3" (76mm)	4.813" (122mm)	Dry-Black	RP-5135DK

FILTER WRAPS – RECTANGLE STRAIGHT

LENGTH	WIDTH	HEIGHT	DESC.	PART#	LENGTH	WIDTH	HEIGHT	DESC.	PART#
6.75" (171mm)	4.5" (114mm)	1.5" (38mm)	Pre-Black	22-8039PK	9.125" (232mm)	6.75" (171mm)	6.5" (165mm)	Pre-Yellow	100-8569PY
6.75" (171mm)	4.5" (114mm)	2.5" (64mm)	Pre-Black	22-8040PK	19" (483mm)	14" (356mm)	4.5" (114mm)	Dry-Black	100-8592DK
6.75" (171mm)	4.5" (114mm)	3" (76mm)	Pre-Black	22-8041PK	19" (483mm)	7" (178mm)	5.375" (137mm)	Pre-Black	100-8576PK
6.75" (171mm)	4.5" (114mm)	4" (102mm)	Pre-Black	22-8042PK	19" (483mm)	14" (356mm)	6.5" (165mm)	Pre-Black	100-8562PK
7.5" (191mm)	6.125" (156mm)	1.75" (44mm)	Pre-Black	E-3960PK	19" (483mm)	7" (178mm)	7.5" (191mm)	Pre-Black	100-8570PK
7.5" (191mm)	6.125" (156mm)	1.75" (44mm)	Pre-Blue	E-3960PL	19" (483mm)	7" (178mm)	7.5" (191mm)	Pre-Red	100-8570PR
7.5" (191mm)	6.125" (156mm)	1.75" (44mm)	Pre-Red	E-3960PR	19" (483mm)	7" (178mm)	7.5" (191mm)	Pre-Yellow	100-8570PY
7.5" (191mm)	6.125" (156mm)	1.75" (44mm)	Pre-Yellow	E-3960PY	24" (610mm)	18" (457mm)	10" (254mm)	Pre-Blue	100-8562PL
9.125" (232mm)	6.75" (171mm)	6.5" (165mm)	Pre-Black	100-8569PK	24" (610mm)	18" (457mm)	10" (254mm)	Pre-Red	100-8562PR
9.125" (232mm)	6.75" (171mm)	6.5" (165mm)	Pre-Red	100-8569PR	24" (610mm)	18" (457mm)	10" (254mm)	Pre-Yellow	100-8562PY

RACING, HOT ROD, & CUSTOM PRODUCTS

FILTER WRAPS – OVAL STRAIGHT

INSIDE LENGTH	INSIDE WIDTH	HEIGHT	DESC.	PART#
4" (102mm)	3" (76mm)	2" (51mm)	Dry-Black	E-4515DK
4" (102mm)	3" (76mm)	2.75" (70mm)	Dry-Black	E-4516DK
4.5" (114mm)	3.75" (95mm)	6" (152mm)	Pre-Black	RU-1230PK
4.5" (114mm)	3.75" (95mm)	7" (178mm)	Pre-Black	RU-1240PK
4.5" (114mm)	3.75" (95mm)	9" (229mm)	Pre-Black	RU-1260PK
6.5" (165mm)	4.625" (117mm)	7.875" (200mm)	Dry-Black	YA-7008DK
6.625" (168mm)	4.625" (117mm)	2.875" (73mm)	Pre-Yellow	SU-6590PY
6.625" (168mm)	3.813" (97mm)	3.438" (87mm)	Pre-Black	PL-1002PK
7" (178mm)	4.5" (114mm)	2" (51mm)	Dry-Blue	22-2000PL
7" (178mm)	4.5" (114mm)	2" (51mm)	Dry-Red	22-2000PR
7" (178mm)	4.5" (114mm)	3" (76mm)	Dry-Blue	22-2020PL
7" (178mm)	4.5" (114mm)	3" (76mm)	Dry-Red	22-2020PR
7" (178mm)	4.5" (114mm)	2" (51mm)	Pre-Black	E-3321PK
7" (178mm)	4.5" (114mm)	2" (51mm)	Pre-Blue	E-3321PL
7" (178mm)	4.5" (114mm)	2" (51mm)	Pre-Red	E-3321PR
7" (178mm)	4.5" (114mm)	2" (51mm)	Pre-Yellow	E-3321PY
7" (178mm)	4.5" (114mm)	2.25" (57mm)	Pre-Black	RK-3902PK
7" (178mm)	4.5" (114mm)	3.5" (89mm)	Pre-Black	E-3341PK
7" (178mm)	4.5" (114mm)	3.5" (89mm)	Pre-Blue	E-3341PL
7" (178mm)	4.5" (114mm)	3.5" (89mm)	Pre-Red	E-3341PR
7" (178mm)	4.5" (114mm)	3.5" (89mm)	Pre-Yellow	E-3341PY
7.375" (187mm)	4" (102mm)	2.063" (52mm)	Pre-Red	HA-1312PR
7.375" (187mm)	4" (102mm)	2.563" (65mm)	Pre-Red	HA-1315PR

INSIDE LENGTH	INSIDE WIDTH	HEIGHT	DESC.	PART#
7.5" (191mm)	5.5" (140mm)	4.75" (121mm)	Dry-Black	KA-7408DK
7.75" (197mm)	4.75" (121mm)	2.5" (64mm)	Pre-Red	HA-6592PR
7.75" (197mm)	5.875" (149mm)	5.063" (129mm)	Pre-Black	KA-7504PK
9" (229mm)	5.5" (140mm)	2.5" (64mm)	Dry-Blue	22-2840PL
9" (229mm)	5.5" (140mm)	2.5" (64mm)	Dry-Red	22-2840PR
9" (229mm)	5.5" (140mm)	2" (51mm)	Pre-Black	E-3441PK
9" (229mm)	5.5" (140mm)	2" (51mm)	Pre-Blue	E-3441PL
9" (229mm)	5.5" (140mm)	2" (51mm)	Pre-Yellow	E-3441PY
9" (229mm)	5.5" (140mm)	3.5" (89mm)	Pre-Black	E-3461PK
9" (229mm)	5.5" (140mm)	3.5" (89mm)	Pre-Red	E-3461PR
9" (229mm)	5.5" (140mm)	3.5" (89mm)	Pre-Yellow	E-3461PY
9" (229mm)	5.5" (140mm)	6" (152mm)	Pre-Black	E-3491PK
9" (229mm)	5.5" (140mm)	6" (152mm)	Pre-Blue	E-3491PL
9" (229mm)	5.5" (140mm)	6" (152mm)	Pre-Red	E-3491PR
9" (229mm)	5.5" (140mm)	6" (152mm)	Pre-Yellow	E-3491PY
9" (229mm)	5.5" (140mm)	6.5" (165mm)	Pre-Black	RD-5000PK
9" (229mm)	5.5" (140mm)	6.5" (165mm)	Pre-Blue	RD-5000PL
9" (229mm)	5.5" (140mm)	6.5" (165mm)	Pre-Red	RD-5000PR
9.5" (241mm)	8.375" (213mm)	2.125" (54mm)	Dry-Black	E-3495PK
12" (305mm)	5.5" (140mm)	3.5" (89mm)	Pre-Black	E-3671PK
12" (305mm)	5.5" (140mm)	3.5" (89mm)	Pre-Red	E-3671PR
12" (305mm)	5.5" (140mm)	6" (152mm)	Pre-Black	22-8027PK

FILTER WRAPS – ROUND REVERSE TAPERED

BASE I.D.	TOP I.D.	HEIGHT	DESC.	PART#
3.375" (86mm)	3.5" (89mm)	4.125" (105mm)	Pre-Black	SU-2504PK
3.813" (97mm)	3.875" (98mm)	8.125" (206mm)	Pre-Black	YA-6504PK
4.5" (114mm)	6" (152mm)	6.125" (156mm)	Dry-Black	RX-3810DK

BASE I.D.	TOP I.D.	HEIGHT	DESC.	PART#
4.5" (114mm)	6" (152mm)	6.125" (156mm)	Dry-Black	RX-3810DK
4.5" (114mm)	6" (152mm)	6.125" (156mm)	Dry-Red	RX-3810DR
6.25" (159mm)	7" (178mm)	3.625" (92mm)	Dry-Black	HD-0700DK

FILTER WRAPS – UNIQUE

DESCRIPTION	PART#
Dry-Black	KT-4511DK
Dry-Black	YA-4510DK
Dry-Black	YA-4514DK
Dry-Black	E-4967DK
Dry-Black	SU-6596DK
Dry-Black	HA-2591DK
Dry-Black	HA-4503DK

DESCRIPTION	PART#
Dry-Black	KA-4408DK
Pre-Black	KA-6503PK
Dry-Black	KT-5201DK
Dry-Black	RC-5052DK
Dry-Black	YA-4098-1DK
Dry-Black	YA-4503DK
Dry-Black	YA-6601DK

FILTER WRAPS – UNIVERSAL

LENGTH	WIDTH	DESC.	PART#
7" (178mm)	7" (178mm)	Dry-Black	SU-4002-TDK
7.125" (181mm)	7.125" (181mm)	Dry-Black	YA-4504-TDK
8.25" (210mm)	6.75" (171mm)	Dry-Black	HA-4099-TDK
8.25" (210mm)	6.75" (171mm)	Pre-Black	HA-4099-TPK

LENGTH	WIDTH	DESC.	PART#
9.75" (248mm)	5.75" (146mm)	Dry-Black	YA-3502-TDK
9.875" (251mm)	7.125" (181mm)	Dry-Black	HA-4504-TDK
10.25" (260mm)	6.875" (175mm)	Dry-Black	YA-6601-TDK
58" (1473mm)	36" (914mm)	Dry-Black	25-3901

PRE-CLEANER WRAPS



Developed for only the dustiest of conditions, the K&N® pre-cleaner is a specially designed foam filter wrap made to extend the service interval of your K&N® air filter. Made from large, open cell foam, the pre-cleaner will trap dust and dirt, yet add only a small amount of restriction to the airflow of your filter.

- Custom made to fit specific applications
- Also sold in universal cut-to-fit sizes
- Red pre-cleaners are designed to be used with foam filter oil (purchased locally), pre-cleaners must be cleaned with K&N® cleaner or soap and water

Round Straight

DESCRIPTION	I.D.	HEIGHT	PART#
Pre-Cleaner-Red	4.5" (114 mm)	1.5" (38 mm)	25-0330
Pre-Cleaner-Red	3" (76 mm)	2.5" (64 mm)	25-1480
Pre-Cleaner-Red	3.75" (95 mm)	6" (152 mm)	25-1770
Pre-Cleaner-Red	14" (356 mm)	4" (102 mm)	25-3750
Pre-Cleaner-Red	14" (356 mm)	5" (127 mm)	25-3760
Pre-Cleaner-Red	14" (356 mm)	6" (152 mm)	25-3770
Pre-Cleaner-Charcoal-Dry	14" (356 mm)	4" (102 mm)	25-5500
Pre-Cleaner-Charcoal-Dry	14" (356 mm)	5" (127 mm)	25-5600
Pre-Cleaner-Charcoal-Dry	14" (356 mm)	6" (152 mm)	25-5700
Pre-Cleaner-Charcoal-Dry	16" (406 mm)	3" (76 mm)	25-5200
Pre-Cleaner-Charcoal-Dry	16" (406 mm)	4" (102 mm)	25-5300
Pre-Cleaner-Charcoal-Dry	16" (406 mm)	5" (127 mm)	25-5400



25-3770

Round Tapered

DESCRIPTION	BASE I.D.	TOP I.D.	HEIGHT	PART#
Pre-Cleaner-Yellow	3.125" (79 mm)	3" (76 mm)	3.375" (86 mm)	25-2588
Pre-Cleaner-Red	6" (152 mm)	5" (127 mm)	14" (356 mm)	25-0880
Pre-Cleaner-Red	6" (152 mm)	5" (127 mm)	9" (229 mm)	25-0810
Pre-Cleaner-Red	7" (178 mm)	4.5" (114 mm)	4.875" (124 mm)	25-6601
Pre-Cleaner-Charcoal-Dry	8" (203 mm)	6.625" (168 mm)	12" (305 mm)	25-5166



25-5166

Oval Straight

DESCRIPTION	INSIDE LENGTH	INSIDE WIDTH	HEIGHT	PART#
Pre-Cleaner-Red	4.5" (114 mm)	3.25" (83 mm)	1.5" (38 mm)	25-4250
Pre-Cleaner-Red	5.5" (140 mm)	4.25" (108 mm)	2" (51 mm)	25-1691
Pre-Cleaner-Red	7" (178 mm)	4.5" (114 mm)	3.25" (83 mm)	25-3340
Pre-Cleaner-Red	7" (178 mm)	4.5" (114 mm)	6" (152 mm)	25-3346
Pre-Cleaner-Red	9" (229 mm)	5.5" (140 mm)	3.25" (83 mm)	25-3460
Pre-Cleaner-Red	9" (229 mm)	5.5" (140 mm)	6" (152 mm)	25-3490
Pre-Cleaner-Red	20" (508 mm)	9" (229 mm)	3" (76 mm)	25-1963
Pre-Cleaner-Red	20" (508 mm)	9" (229 mm)	4.5" (114 mm)	25-1964
Pre-Cleaner-Red	20" (508 mm)	9" (229 mm)	6" (152 mm)	25-1966



25-1966

Universal

DESCRIPTION	WIDTH	LENGTH	PART#
Pre-Cleaner-Red	7" (178 mm)	48" (1219 mm)	25-3900
Pre-Cleaner-Red	18" (457 mm)	48" (1219 mm)	25-3918
Pre-Cleaner-Red	24" (610 mm)	48" (1219 mm)	25-3924
Pre-Cleaner-Red	30" (762 mm)	48" (1219 mm)	25-3930





SPECIAL FILTERS TO CLAMP DIRECTLY ON GM TPI THROTTLE BODIES USING 1990-92 STOCK GM OR DIGITAL FUEL INJECTION COMPUTER. WILL NOT WORK ON ENGINES THAT USE A MASS-AIR SENSOR.

2 15/16" x 4 3/4" oval mounting flange	4 3/4" x 6 1/2" oval base	3 1/4" x 4 1/2" stainless steel oval top	5 5/8" filter height, 7/8" flange length	RC-5000
2 15/16" x 4 3/4" oval mounting flange	4 3/4" x 6 1/2" oval base	3 1/4" x 4 1/2" rubber oval top	3 1/2" filter height, 7/8" flange length	RU-5004
2 15/16" x 4 3/4" oval mounting flange	4 3/4" x 6 1/2" oval base	3 1/4" x 4 1/2" stainless steel oval top	3 1/2" filter height, 7/8" flange length	RC-5004
2 15/16" x 4 3/4" oval mounting flange	4 1/2" x 7" oval base	4 1/2" x 7" chrome oval top	2" filter height, 3/4" flange length	RC-5010
2 15/16" x 4 3/4" oval mounting flange	5 1/4" x 8 5/8" oval base	4" x 6 1/4" stainless steel oval top	5 1/2" filter height, 7/8" flange length	RC-5050
3 15/16" x 6 1/4" oval mounting flange	5 1/2" x 7 3/4" oval base	4" x 6 1/4" stainless steel oval top	5" filter height, 7/8" flange length	RF-1001



SPECIAL FILTERS WITH METAL BASE AND FLANGES, TO ALLOW MOUNTING THE FILTER WITH A HOSE, IDEAL FOR HIGH TEMPERATURE APPLICATIONS SUCH AS TURBOCHARGERS.

3" Outside diameter round mounting flange, 7" filter diameter, 7" chrome top w/1" hole, 6" filter height, 1 5/8" flange length	RM-3001
3 1/2" Outside diameter round mounting flange, 4 1/2" x 7" oval base, 4 1/2" x 7" stainless steel top, 3 1/2" filter height, 5/8" flange length	RM-3501



1 1/4" round mounting flange, 3 1/2" filter diameter, rubber top, 1/4-20 threads, 3 1/2" filter height, 5/8" flange length	RE-0220
1 3/4" round mounting flange, 3 1/2" filter diameter, rubber top, 1/4-20 threads, 3 1/2" filter height, 5/8" flange length	RE-0260
2" round mounting flange, 3" base diameter, 3 1/2" rubber top, 1/4-20 threads, 3 1/2" filter height, 5/8" flange length	RE-0280
2 1/2" round mounting flange, 5" base diameter, 5 1/2" metal top, 1/4-20 threads, 2 3/4" filter height, 5/8" flange length	RE-0380



SPECIAL FILTERS WITH DUAL OVAL MOUNTING FLANGES, SOLD IN TWO-PACKS ONLY.

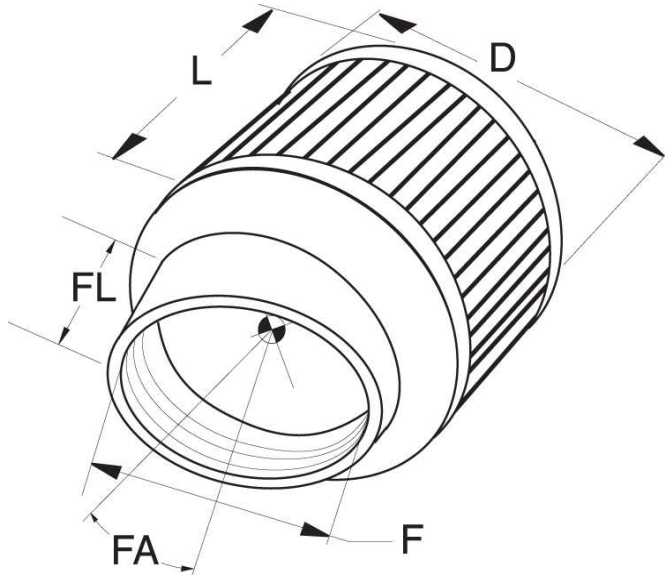
2 3/16" x 2 7/8" flanges, 5" x 6" rectangle base, 3 1/4" x 4 1/4" rubber oval top, 4" filter height, 1 1/16" flange length, 3 1/8" c-c spacing	RU-2952
--	----------------



1 1/2" x 2 1/4" Oval mounting offset flange, 3 3/4" x 3 7/16" rect. base, 3 3/8" x 2 3/4" rectangle top, 2 1/4" filter height, 3/4" flange length	RU-3450
1 15/16" Outside dia. round mounting offset flange, 3 7/8" x 3 7/16" rect. base, 3 3/8" x 2 3/4" rectangle top, 2 1/4" filter height, 1/2" flange length	RU-3460
1 1/4" Inside diameter round centered flange, 3 7/8" x 3 7/16" rectangle base, tapered, 2 1/4" filter height, 1/2" flange length	RU-3410
3 3/16" Outside diameter flange, 4 1/2" x 6 1/4" base, chrome top, 1 1/8" filter height, 3/4" flange length	RF-1011

Legal in California only for racing vehicles which may never be used, registered or licensed for use upon a highway. See knfilters.com for CARB status on each part for a specific vehicle. These filters are not applicable, nor intended for use on aircraft.

Round Straight



When selecting one of K&N's universal round straight air filters, you should consider the following dimensions as they relate to the specification chart:

(F) Mounting Flange Inside Diameter - This is the most critical dimension and should be very close to the diameter of the application's inlet flange. The flange will stretch up to 1/16" for those in-between sizes.

(D) Filter Diameter - This is the overall diameter of the filter. Always use the largest diameter practical for maximum filtration.

(L) Filter Length - This dimension is the length of the filter body only, it does not include the flange length. Always use the longest filter practical for maximum filtration.

(FA/FL) Flange Angle and/or Length - If no angle is listed in the specifications table, then the flange is straight. Any angle listed is in degrees and can be utilized when space is a problem.

(FO) Flange Offset - In some cases the center of the flange is offset from the center of the filter base in order to provide a better fit.

(F) Mounting Flange Inside Diameter		(D) Filter Diameter		(L) Filter Length		(FL) Flange Length		(FA) Flange Style		(FO) Flange Offset		Rubber End Cap Part #	Chrome End Cap Part #	Custom End Cap Part #	Filter Wraps Part #	
Inch	mm	Inch	mm	Inch	mm	Inch	mm	Type	Angle	Inch	mm					
5/16	8	1-3/8	35	1-1/8	29	7/16	11	Centered						62-2470		
3/8	10	2	51	1-1/2	38	3/8	10	Centered						62-1570 ²⁸		
		2	51	1-1/2	38	7/16	11	Centered				62-1320				
		2	51	1-3/4	44	1/2	13	Centered					62-1600WT-			
		2	51	1-3/4	44	5	127	Centered					62-1600RD-			
1/2	13	2	51	1-1/2	38	7/16	11	Centered					62-1330			
11/20	14	1-3/8	35	1-1/8	29	219/500	11	Centered					62-2480			
9/16	14	2	51	2-1/8	54	1	25	Centered					62-1230			
5/8	16	1-3/8	35	1-1/8	29	3/8	10	Centered				RU-3230				
		2	51	1-1/2	38	7/16	11	Centered					62-1340			
3/4	19	1-3/8	35	1-1/8	29	7/16	11	Centered				62-1560				
		2	51	1-1/2	38	7/16	11	Centered						62-1360		
		2	51	2-1/2	64	5/8	16	Centered				RU-3630				
1	25	2	51	1-1/2	38	5/8	16	Centered					62-1370			
		3	76	2-1/4	57	5/8	16	Centered					62-1420		RU-0150PK	
		3	76	2-3/8	60	7/16	11	Centered				62-1410			RU-0150PK	
1-1/16	27	3	76	3	76	5/8	16	Centered			R-1040				22-8008PK	
1-1/4	32	3	76	2-1/2	64	5/8	16	Centered						62-1580		
		3	76	2-1/2	64	5/8	16	Centered				62-1380			RU-0150PK	
		3	76	2-1/2	64	7/8	22	Centered						62-1390	RU-0150PK	
		3	76	3	76	5/8	16	Centered				RU-0060				22-8008PK
		3	76	4	102	5/8	16	Centered				RU-0070				22-8009PK
		3	76	4	102	3/4	19	Angled	20°			RU-0100				
1-3/8	35	3	76	5	127	5/8	16	Centered					RU-0080			RU-0210PK
		3	76	5	127	3/4	19	Angled	20°			RU-0110				RU-0210PK
		3	76	2-1/2	64	7/16	11	Centered					62-1440			RU-0150PK

1) 1/4-20 Jack Nut Into Top 2) Base Has (2) 7/8" Vents 3) Base Has 1/2" Vent 4) Base Has 1/32" Vent 5) Base Has 1/4" Vent 6) Base Has 11/16" Vent 7) Base Has 1-1/8" Vent 8) Base Has 13/16" Vent 9) Base Has 13/32" Vent 10) Base Has 13/64" Vent 11) Base Has 2-3/16" Square Inlet 12) Base Has 15/64" Vent 13) Base Has 19/32" Vent 14) Base Has 21/32" Vent 15) Base Has 25/64" Vent 16) Base Has 29/32" Vent 17) Base Has 3/16" Vent 18) Base Has 3/4" Vent 19) Base Has 3/8" Vent 20) Base Has 31/64" Vent 21) Base Has 35/64" Vent 22) Base Has 45/64" Vent 23) Base Has 5/16" Vent 24) Base Has 5/8" Vent 25) Base Has 55/64" Vent 26) Base Has 7/16" Vent 27) Base Has 7/8" Vent 28) Base Has 9/16" Vent 29) Base Has Opt. 1/2" Vent 30) Base Has 23/32" Vent 31) Base Has 25/32" Vent 32) Filter Has Molded-in Velocity Stack 33) Filter Is Reverse Tapered 34) Fits Legend/Dwarf Race Cars w/FJ1200 Motors 35) Base Has 15/32" Vent 36) Top Plate Has 1/4-20 Stud 37) Top-Plate Has 6MM Stud 39) Offset Is Vertical 41) Offset Is Vertical And To The Right 42) Top Has 1/2" Vent 43) Top Has 1-1/16" Center Hole 44) Top Has 21/32" Center Hole 45) Top Has 23/32" Center Hole 46) Top Has 5/32" Center Hole 47) Top Has 7/16" Center Hole 48) Base Has 11/32" Vent 49) Top Has 1/4" Center Hole 50) Top Has 1-7/16" Center Hole 51) 2-1/2" Adapter Included 52) Top Has 5/8" Vent 53) Tapered Insert Included 5" to 4-3/8" 54) Filter Has Thru Hole 2-3/4" x 1-5/8"

Round Straight

(F) Mounting Flange Inside Diameter		(D) Filter Diameter		(L) Filter Length		(FL) Flange Length		(FA) Flange Style		(FO) Flange Offset		Rubber End Cap Part #	Chrome End Cap Part #	Custom End Cap Part #	Filter Wraps Part #
Inch	mm	Inch	mm	Inch	mm	Inch	mm	Type	Angle	Inch	mm				
1-3/8	35	3	76	2-1/2	64	5/8	16	Centered				62-1430			RU-0150PK
1-1/2	38	3	76	2-1/2	64	7/16	11	Centered					62-1460		RU-0150PK
		3	76	2-1/2	64	5/8	16	Centered				62-1450			RU-0150PK
		3	76	3	76	5/8	16	Centered				RU-0155			
		3	76	4	102	5/8	16	Centered				RU-0160			22-8009PK
		3	76	6	152	5/8	16	Centered				RU-0175			
1-9/16	40	3	76	2	51	5/8	16	Centered					RC-0840		RU-0150PK
		3	76	2-1/4	57	5/8	16	Centered					RC-0880		RU-0150PK
		3	76	2-1/2	64	5/8	16	Centered				RU-2310	RC-0160		RU-0150PK
		3	76	3	76	5/8	16	Centered					RC-0870		22-8008PK
		3-1/2	89	1-1/2	38	5/8	16	Centered					RC-0170		RC-0170DK
1-11/16	43	3	76	2-1/2	64	5/8	16	Centered				RU-1130	RC-1130		RU-0150PK
		3	76	3	76	5/8	16	Centered					RC-1120		22-8008PK
		3	76	4	102	5/8	16	Centered				RU-0200			22-8009PK
		3	76	5	127	5/8	16	Centered				RU-0210			RU-0210PK
		3	76	6	152	1-1/2	38	Angled	40°			R-1030			22-8010PK
		3-1/2	89	2	51	5/8	16	Centered					RC-0190		
		3-1/2	89	10	254	5/8	16	Centered				RU-3850			25-3918
		4	102	2	51	5/8	16	Centered				RU-0260			
		5-1/4	133	2	51	5/8	16	Offset		3/4	19	RU-0310			
1-3/4	44	3	76	2	51	5/8	16	Centered				RU-2570			RU-0150PK
		3	76	2-1/2	64	5/8	16	Centered				62-1470		62-1480	RU-0150PK
		3	76	3	76	5/8	16	Centered				RU-2685			
		3	76	6	152	5/8	16	Centered				RU-2575			
		3-1/2	89	1-1/2	38	5/8	16	Centered					RC-2870		RC-0170DK
		3-1/2	89	4-1/2	114	1	25	Angled	10°			RU-1030			RU-0510PK
		3-1/2	89	5	127	5/8	16	Centered				RU-0360			25-1770
		3-1/2	89	5	127	3/4	19	Angled	10°			RU-1040			25-1770
		3-1/2	89	6	152	5/8	16	Centered				R-1050			25-1770
		3-1/2	89	6	152	3/4	19	Angled	10°			RU-1050			RU-0520PK
		4-1/2	114	1-1/2	38	5/8	16	Offset		9/16	14		RC-0330		25-0330
		4-1/2	114	1-1/2	38	5/8	16	Centered				RU-0340	RC-0340		25-0330
		4-1/2	114	2	51	5/8	16	Centered				RU-0370	RC-0370		
1-13/16	46	3	76	2-1/4	57	5/8	16	Centered					RC-0910		RU-0150PK
		3	76	2-1/4	57	1	25	Centered					RC-2620		RU-0150PK
		3	76	3	76	5/8	16	Centered					RC-0890		22-8008PK
		5-1/2	140	3	76	5/8	16	Offset		15/16	24	RU-0350			22-8015PK
1-7/8	48	3	76	1-1/2	38	5/8	16	Centered				RU-2560			
		3	76	2	51	5/8	16	Centered				RU-3350			RU-0150PK
		3	76	4	102	5/8	16	Centered				RU-0400			22-8009PK
		3	76	4	102	1	25	Angled	10°			RU-1280	RC-1280		22-8009PK
		3	76	5	127	5/8	16	Centered				RU-0410	RC-0410		RU-0210PK
		3	76	6	152	5/8	16	Centered				RU-0420			22-8010PK
		3-1/2	89	4	102	5/8	16	Centered				RD-0450			RU-0500PK
		3-1/2	89	5	127	5/8	16	Centered				RD-0460			25-1770

1) 1/4-20 Jack Nut Into Top 2) Base Has (2) 7/8" Vents 3) Base Has 1/2" Vent 4) Base Has 1/32" Vent 5) Base Has 1/4" Vent 6) Base Has 11/16" Vent 7) Base Has 1-1/8" Vent 8) Base Has 13/16" Vent 9) Base Has 13/32" Vent 10) Base Has 13/64" Vent 11) Base Has 2-3/16" Square Inlet 12) Base Has 15/64" Vent 13) Base Has 19/32" Vent 14) Base Has 21/32" Vent 15) Base Has 25/64" Vent 16) Base Has 29/32" Vent 17) Base Has 3/16" Vent 18) Base Has 3/4" Vent 19) Base Has 3/8" Vent 20) Base Has 31/64" Vent 21) Base Has 35/64" Vent 22) Base Has 45/64" Vent 23) Base Has 5/16" Vent 24) Base Has 5/8" Vent 25) Base Has 55/64" Vent 26) Base Has 7/16" Vent 27) Base Has 7/8" Vent 28) Base Has 9/16" Vent 29) Base Has Opt. 1/2" Vent 30) Base Has 23/32" Vent 31) Base Has 25/32" Vent 32) Filter Has Molded-in Velocity Stack 33) Filter Is Reverse Tapered 34) Fits Legend/Dwarf Race Cars w/F1200 Motors 35) Base Has 15/32" Vent 36) Top Plate Has 1/4-20 Stud 37) Top Plate Has 6MM Stud 39) Offset Is Vertical 41) Offset Is Vertical And To The Right 42) Top Has 1/2" Vent 43) Top Has 1-1/16" Center Hole 44) Top Has 21/32" Center Hole 45) Top Has 23/32" Center Hole 46) Top Has 5/32" Center Hole 47) Top Has 7/16" Center Hole 48) Base Has 11/32" Vent 49) Top Has 1/4" Center Hole 50) Top Has 1-7/16" Center Hole 51) 2-1/2" Adapter Included 52) Top Has 5/8" Vent 53) Tapered Insert Included 5" to 4-3/8" 54) Filter has Thru Hole 2-3/4" x 1-5/8"

Round Straight

(F) Mounting Flange Inside Diameter		(D) Filter Diameter		(L) Filter Length		(FL) Flange Length		(FA) Flange Style		(FO) Flange Offset		Rubber End Cap Part #	Chrome End Cap Part #	Custom End Cap Part #	Filter Wraps Part #	
Inch	mm	Inch	mm	Inch	mm	Inch	mm	Type	Angle	Inch	mm					
1-7/8	48	3-1/2	89	6	152	5/8	16	Centered				RD-0470			25-1770	
1-15/16	49	3	76	2	51	5/8	16	Centered				RU-2700			RU-0150PK	
		3	76	2-1/2	64	5/8	16	Centered				RU-2760			RU-0150PK	
		3	76	3	76	5/8	16	Centered				RP-5164			22-8008PK	
		3	76	4	102	5/8	16	Centered				RP-5119			22-8009PK	
		3-1/2	89	4	102	2	51	Angled	20°				RU-1400			RU-0500PK
		3-1/2	89	5	127	2	51	Angled	20°				RU-1410			25-1770
		3-1/2	89	6	152	2	51	Angled	20°			RU-1420			25-1770	
2	51	5-1/8	130	2	51	11/16	17	Offset		1	25		RC-2400			
		5-3/8	137	2	51	5/8	16	Centered					RC-2440			
		7	178	9	229	5/8	16	Centered					41-1000 ²		22-8022PK	
2-1/16	52	3	76	2-1/2	64	5/8	16	Centered				RU-1880	RC-1880		RU-0150PK	
		3	76	3	76	5/8	16	Centered					RC-1890		22-8008PK	
		3-1/2	89	3	76	5/8	16	Centered					RC-1150			
		3-1/2	89	4	102	5/8	16	Centered					RU-0500	RC-0500		RU-0500PK
		3-1/2	89	4	102	7/8	22	Centered					RA-0500			RU-0500PK
		3-1/2	89	5	127	5/8	16	Centered					RU-0510			25-1770
		3-1/2	89	5	127	3/4	19	Angled	10°				RU-1060			25-1770
		3-1/2	89	5	127	7/8	22	Centered					RA-0510			25-1770
		3-1/2	89	5	127	2-1/2	64	Angled	17°				RU-1780			25-1770
		3-1/2	89	6	152	5/8	16	Centered					RU-0520			25-1770
		3-1/2	89	6	152	3/4	19	Angled	10°				RU-1070			25-1770
		3-1/2	89	6	152	7/8	22	Centered					RA-0520			25-1770
		4-1/2	114	4	102	7/8	22	Centered					RA-0530			22-8012PK
		4-1/2	114	5	127	7/8	22	Centered					RA-0540			22-8013PK
5-1/2	140	2	51	5/8	16	Offset			5/16	8	RU-0570					
5-1/2	140	2	51	7/8	22	Centered					RA-0550 ⁵	RA-055V ⁵				
5-1/2	140	3	76	7/8	22	Centered					RA-0560 ⁵	RA-056V ⁵		22-8015PK		
5-1/2	140	4	102	7/8	22	Centered					RA-0570 ⁵	RA-057V ⁵				
5-1/2	140	5	127	7/8	22	Centered					RA-0580 ⁵	RA-058V ⁵		22-8016PK		
5-7/8	149	2	51	7/8	22	Offset			1-1/8	29	RA-0450 ⁵	RA-045V ⁵		22-8017PK		
5-7/8	149	3	76	7/8	22	Offset			1-1/8	29	RA-0460 ⁵	RA-046V ⁵		22-8018PK		
5-7/8	149	4	102	7/8	22	Offset			1-1/8	29	RA-0470 ⁵	RA-047V ⁵				
2-1/8	54	3	76	3	76	5/8	16	Centered					RC-1910		22-8008PK	
		3-1/2	89	4	102	7/8	22	Centered				RD-0500			RU-0500PK	
		3-1/2	89	4	102	1	25	Angled	5°			RB-0500			RU-0500PK	
		3-1/2	89	5	127	7/8	22	Centered				RD-0510			25-1770	
		3-1/2	89	5	127	1	25	Angled	5°			RB-0510	RC-0510		RA-0510DB	
		3-1/2	89	6	152	7/8	22	Centered				RD-0520			25-1770	
3-1/2	89	6	152	1	25	Angled	5°				RB-0520			25-1770		
2-1/4	57	3-1/2	89	1-1/4	32	5/8	16	Centered					RC-2880		RC-0170DK	
		3-1/2	89	2	51	5/8	16	Centered					RC-1900			
		3-1/2	89	4	102	5/8	16	Centered				RU-0600			RU-0500PK	
		3-1/2	89	4	102	1	25	Angled	5°			RB-0600			RU-0500PK	
		3-1/2	89	4	102	1	25	Angled	20°			RU-1700			RU-0500PK	

1) 1/4-20 Jack Nut Into Top 2) Base Has (2) 7/8" Vents 3) Base Has 1/2" Vent 4) Base Has 1/32" Vent 5) Base Has 1/4" Vent 6) Base Has 11/16" Vent 7) Base Has 1-1/8" Vent 8) Base Has 13/16" Vent 9) Base Has 13/32" Vent 10) Base Has 13/64" Vent 11) Base Has 2-3/16" Square Inlet 12) Base Has 15/64" Vent 13) Base Has 19/32" Vent 14) Base Has 21/32" Vent 15) Base Has 25/64" Vent 16) Base Has 29/32" Vent 17) Base Has 3/16" Vent 18) Base Has 3/4" Vent 19) Base Has 3/8" Vent 20) Base Has 31/64" Vent 21) Base Has 35/64" Vent 22) Base Has 45/64" Vent 23) Base Has 5/16" Vent 24) Base Has 5/8" Vent 25) Base Has 55/64" Vent 26) Base Has 7/16" Vent 27) Base Has 7/8" Vent 28) Base Has 9/16" Vent 29) Base Has Opt. 1/2" Vent 30) Base Has 23/32" Vent 31) Base Has 25/32" Vent 32) Filter Has Molded-in Velocity Stack 33) Filter Is Reverse Tapered 34) Fits Legend/Dwarf Race Cars w/FJ1200 Motors 35) Base Has 15/32" Vent 36) Top Plate Has 1/4-20 Stud 37) Top Plate Has 6MM Stud 39) Offset Is Vertical 41) Offset Is Vertical And To The Right 42) Top Has 1/2" Vent 43) Top Has 1-1/16" Center Hole 44) Top Has 21/32" Center Hole 45) Top Has 23/32" Center Hole 46) Top Has 5/32" Center Hole 47) Top Has 7/16" Center Hole 48) Base Has 11/32" Vent 49) Top Has 1/4" Center Hole 50) Top Has 1-7/16" Center Hole 51) 2-1/2" Adapter Included 52) Top Has 5/8" Vent 53) Tapered Insert Included 5" to 4-3/8" 54) Filter Has Thru Hole 2-3/4" x 1-5/8"

Round Straight

(F) Mounting Flange Inside Diameter		(D) Filter Diameter		(L) Filter Length		(FL) Flange Length		(FA) Flange Style		(FO) Flange Offset		Rubber End Cap Part #	Chrome End Cap Part #	Custom End Cap Part #	Filter Wraps Part #
Inch	mm	Inch	mm	Inch	mm	Inch	mm	Type	Angle	Inch	mm				
2-1/4	57	3-1/2	89	5	127	5/8	16	Centered				RU-0610			25-1770
		3-1/2	89	5	127	3/4	19	Angled	10°			RU-1080			25-1770
		3-1/2	89	5	127	1	25	Angled	5°			RB-0610			25-1770
		3-1/2	89	5	127	1	25	Angled	20°			RU-1710			25-1770
		3-1/2	89	6	152	5/8	16	Centered				RU-0620			25-1770
		3-1/2	89	6	152	3/4	19	Angled	10°			RU-1090			25-1770
		3-1/2	89	6	152	1	25	Angled	5°			RB-0620			25-1770
		3-1/2	89	6	152	1	25	Angled	20°			RU-1720			25-1770
		3-1/2	89	10	254	5/8	16	Centered				RU-3840			25-3918
		4-1/2	114	2	51	5/8	16	Offset		5/16	8		RC-1950		
		4-1/2	114	4	102	5/8	16	Centered				RU-0630			22-8012PK
		4-1/2	114	5	127	5/8	16	Centered				RU-0640			22-8013PK
		5-1/2	140	2-1/2	64	5/8	16	Offset		13/16	21	RU-0650	RC-0650		
		5-1/2	140	3	76	5/8	16	Offset		13/16	21	RU-0660			22-8015PK
		5-1/2	140	3-1/2	89	5/8	16	Centered				RU-0690			
		5-1/2	140	5	127	5/8	16	Offset		13/16	21	RU-0680			22-8016PK
		7	178	9	229	5/8	16	Centered					41-1100 ²		22-8022PK
2-3/8	60	4-7/16	113	6-1/16	154	3/4	19	Centered				CM-8012			
2-7/16	62	3-1/2	89	4	102	5/8	16	Centered				RU-0800			RU-0500PK
		3-1/2	89	5	127	5/8	16	Centered				RU-0810			25-1770
		3-1/2	89	6	152	5/8	16	Centered				RU-0820 ⁴			25-1770
		3-1/2	89	6	152	1-1/8	29	Centered				RU-3030			25-1770
		3-3/4	95	2	51	2	51	Angled	20°			RU-1730			
		3-3/4	95	4	102	2	51	Angled	20°			RU-1750			22-8011PK
		3-3/4	95	5	127	2	51	Angled	20°			RU-1760			RU-1460PK
		3-3/4	95	6	152	2	51	Angled	20°			RU-1770			RU-1470PK
		4	102	4-3/4	121	3/4	19	Centered						RX-4040-1 ^{1,15}	
		4-1/2	114	4	102	5/8	16	Centered				RU-0830			22-8012PK
		4-1/2	114	5	127	5/8	16	Centered				RU-0840			22-8013PK
		5	127	3	76	5/8	16	Centered					RC-0860		22-8015PK
		5-1/8	130	2	51	5/8	16	Centered					RC-0850		
		5-1/2	140	3	76	5/8	16	Offset		1/2	13	RU-0870			22-8015PK
		5-1/2	140	4	102	5/8	16	Offset		1/2	13	RU-0880			
		5-1/2	140	6	152	5/8	16	Offset		1/2	13	RU-1000			22-8045DK
2-1/2	64	3-1/2	89	4	102	5/8	16	Centered				RD-0700			RU-0500PK
		3-1/2	89	4	102	1	25	Angled	5°			RB-0700			RU-0500PK
		3-1/2	89	5	127	5/8	16	Centered				RD-0710			25-1770
		3-1/2	89	5	127	1	25	Angled	5°			RB-0710			25-1770
		3-1/2	89	6	152	5/8	16	Centered				RD-0720			25-1770
		3-1/2	89	6	152	1	25	Angled	5°			RB-0720			25-1770
		5-9/16	141	6	152	3/4	19	Centered				PL-3214			PL-3214DK
		7	178	9	229	5/8	16	Centered					41-1200 ²		22-8022PK
2-9/16	65	4-1/2	114	4	102	3/4	19	Centered				RA-0600			22-8012PK
		4-1/2	114	5	127	3/4	19	Centered				RA-0610			22-8013PK
		5-1/2	140	2	51	3/4	19	Centered				RA-0620 ⁵	RA-062V ⁵		

1) 1/4-20 Jack Nut Into Top 2) Base Has (2) 7/8" Vents 3) Base Has 1/2" Vent 4) Base Has 1/32" Vent 5) Base Has 1/4" Vent 6) Base Has 11/16" Vent 7) Base Has 1-1/8" Vent 8) Base Has 13/16" Vent 9) Base Has 13/32" Vent 10) Base Has 13/64" Vent 11) Base Has 2-3/16" Square Inlet 12) Base Has 15/64" Vent 13) Base Has 19/32" Vent 14) Base Has 21/32" Vent 15) Base Has 25/64" Vent 16) Base Has 29/32" Vent 17) Base Has 3/16" Vent 18) Base Has 3/4" Vent 19) Base Has 3/8" Vent 20) Base Has 31/64" Vent 21) Base Has 35/64" Vent 22) Base Has 45/64" Vent 23) Base Has 5/16" Vent 24) Base Has 5/8" Vent 25) Base Has 55/64" Vent 26) Base Has 7/16" Vent 27) Base Has 7/8" Vent 28) Base Has 9/16" Vent 29) Base Has Opt. 1/2" Vent 30) Base Has 23/32" Vent 31) Base Has 25/32" Vent 32) Filter Has Molded-in Velocity Stack 33) Filter Is Reverse Tapered 34) Fits Legend/Dwarf Race Cars w/FJ1200 Motors 35) Base Has 15/32" Vent 36) Top Plate Has 1/4-20 Stud 37) Top-Plate Has 6MM Stud 39) Offset Is Vertical 41) Offset Is Vertical And To The Right 42) Top Has 1/2" Vent 43) Top Has 1-1/16" Center Hole 44) Top Has 21/32" Center Hole 45) Top Has 23/32" Center Hole 46) Top Has 5/32" Center Hole 47) Top Has 7/16" Center Hole 48) Base Has 11/32" Vent 49) Top Has 1/4" Center Hole 50) Top Has 1-7/16" Center Hole 51) 2-1/2" Adapter Included 52) Top Has 5/8" Vent 53) Tapered Insert Included 5" to 4-3/8" 54) Filter has Thru Hole 2-3/4" x 1-5/8"

Round Straight

(F) Mounting Flange Inside Diameter		(D) Filter Diameter		(L) Filter Length		(FL) Flange Length		(FA) Flange Style		(FO) Flange Offset		Rubber End Cap Part #	Chrome End Cap Part #	Custom End Cap Part #	Filter Wraps Part #	
Inch	mm	Inch	mm	Inch	mm	Inch	mm	Type	Angle	Inch	mm					
2-9/16	65	5-1/2	140	3	76	3/4	19	Centered				RA-0630 ⁵	RA-063V ⁵		22-8015PK	
		5-1/2	140	4	102	3/4	19	Centered				RA-0640 ⁵				
		5-1/2	140	5	127	3/4	19	Centered				RA-0650 ⁵			22-8016PK	
		5-7/8	149	3	76	7/8	22	Offset		13/16	21		RA-067V ⁵			
		5-7/8	149	4	102	7/8	22	Offset		13/16	21	RA-0680 ⁵				
		6	152	2	51	7/8	22	Offset		13/16	21	RA-0660 ⁵	RA-066V ⁵		22-8017PK	
		6	152	3	76	7/8	22	Offset		13/16	21	RA-0670 ⁵				
2-5/8	67	4	102	2-1/4	57	1/2	13	Centered						60-0410		
		4	102	4	102	1	25	Angled	5°			RB-0800			22-8011PK	
		4	102	5	127	1	25	Angled	5°			RB-0810			25-1770	
		4-1/2	114	2	51	5/8	16	Centered				RU-2630				
		4-1/2	114	3	76	5/8	16	Centered				RU-2640				
		4-1/2	114	4	102	5/8	16	Centered				RU-2650			22-8012PK	
		2-11/16	68	4-1/16	103	7	178	3/4	19	Centered				RX-5032		
4-1/2	114			4	102	5/8	16	Centered				RU-0900			22-8012PK	
4-1/2	114			5	127	5/8	16	Centered				RU-0910			22-8013PK	
2-3/4	70	4	102	5	127	1	25	Angled	10°			RU-1460			RU-1460PK	
		4	102	6	152	1	25	Angled	10°			RU-1470			25-1770	
		4	102	6	152	2	51	Angled	20°			RU-3190			25-1770	
		4	102	7	178	1	25	Angled	10°			RU-1480			RU-1480PK	
		5-1/8	130	2	51	5/8	16	Centered					RC-0920			
		5-1/8	130	3	76	5/8	16	Centered					RC-0930		22-8015PK	
		5-1/2	140	3	76	5/8	16	Offset		7/16	11	RU-0940			22-8015PK	
		5-1/2	140	4	102	5/8	16	Offset		7/16	11	RU-0950				
		5-1/2	140	5	127	5/8	16	Offset		7/16	11	RU-0960			22-8016PK	
2-7/8	73	7	178	3	76	5/8	16	Offset		11/16	17	RU-0980			RU-0980PK	
		7	178	7	178	5/8	16	Offset		11/16	17	RU-2940			25-3900	
		4	102	5-3/8	137	5/8	16	Centered				RU-2410			25-3900	
		4	102	6	152	5/8	16	Centered				RU-1620			25-1770	
		4-1/2	114	5	127	5/8	16	Centered				RU-3710	RC-3710		HA-3094PR	
		4-1/2	114	6-1/8	156	5/8	16	Centered				E-1989			RX-3820PK	
		4-7/8	124	7-1/4	184	11/16	17	Centered				E-1988				
		2-29/32	74	4-15/16	125	5-29/32	150	11/16	17	Centered				RC-9070		
		3	76	4-5/16	110	4	102	1	25	Angled	5°			RB-0900		
4-5/16	110			5	127	1	25	Angled	5°			RB-0910			22-8013PK	
5	127			3	76	5/8	16	Centered				RU-2420			22-8015PK	
5	127			5	127	5/8	16	Centered				RU-2430		RC-5182XD	RU-2430PK	
5	127			6-1/2	165	5/8	16	Centered				RU-2820			22-8044PK	
5	127			7	178	5/8	16	Centered						RX-2820 ¹⁵	22-8044PK	
5	127			9	229	5/8	16	Centered					RC-2530 ^{2,33}		25-3918	
7	178			2	51	5/8	16	Offset		7/8	22	RA-0970 ⁴	RA-097V ⁴			
7	178			3	76	5/8	16	Offset		7/8	22	RA-0980 ⁴	RA-098V ⁴		RU-0980PK	
7	178	3	76	1-1/8	29	Offset				1-1/16	27		RC-3140		RU-0980PK	
		4	102	5/8	16	Offset				7/8	22	RA-0990 ⁴	RA-099V ⁴		22-8019PK	

1) 1/4-20 Jack Nut Into Top 2) Base Has (2) 7/8" Vents 3) Base Has 1/2" Vent 4) Base Has 1/32" Vent 5) Base Has 1/4" Vent 6) Base Has 11/16" Vent 7) Base Has 1-1/8" Vent 8) Base Has 13/16" Vent 9) Base Has 13/32" Vent 10) Base Has 13/64" Vent 11) Base Has 2-3/16" Square Inlet 12) Base Has 15/64" Vent 13) Base Has 19/32" Vent 14) Base Has 21/32" Vent 15) Base Has 25/64" Vent 16) Base Has 29/32" Vent 17) Base Has 3/16" Vent 18) Base Has 3/4" Vent 19) Base Has 3/8" Vent 20) Base Has 31/64" Vent 21) Base Has 35/64" Vent 22) Base Has 45/64" Vent 23) Base Has 5/16" Vent 24) Base Has 5/8" Vent 25) Base Has 55/64" Vent 26) Base Has 7/16" Vent 27) Base Has 7/8" Vent 28) Base Has 9/16" Vent 29) Base Has Opt. 1/2" Vent 30) Base Has 23/32" Vent 31) Base Has 25/32" Vent 32) Filter Has Molded-in Velocity Stack 33) Filter Is Reverse Tapered 34) Fits Legend/Dwarf Race Cars w/F1J200 Motors 35) Base Has 15/32" Vent 36) Top Plate Has 1/4-20 Stud 37) Top Plate Has 6MM Stud 39) Offset Is Vertical 41) Offset Is Vertical And To The Right 42) Top Has 1/2" Vent 43) Top Has 1-1/16" Center Hole 44) Top Has 21/32" Center Hole 45) Top Has 23/32" Center Hole 46) Top Has 5/32" Center Hole 47) Top Has 7/16" Center Hole 48) Base Has 11/32" Vent 49) Top Has 1/4" Center Hole 50) Top Has 1-7/16" Center Hole 51) 2-1/2" Adapter Included 52) Top Has 5/8" Vent 53) Tapered Insert Included 5" to 4-3/8" 54) Filter has Thru Hole 2-3/4" x 1-5/8"

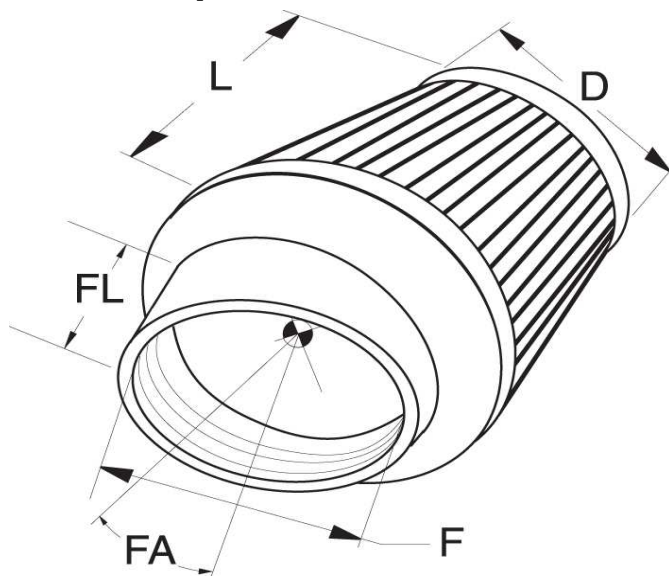
Round Straight

(F) Mounting Flange Inside Diameter		(D) Filter Diameter		(L) Filter Length		(FL) Flange Length		(FA) Flange Style		(FO) Flange Offset		Rubber End Cap Part #	Chrome End Cap Part #	Custom End Cap Part #	Filter Wraps Part #	
Inch	mm	Inch	mm	Inch	mm	Inch	mm	Type	Angle	Inch	mm					
3	76	7	178	6	152	1	25	Centered					RD-1300		22-8021PK	
3-1/16	78	6-7/8	175	5-15/16	151	9/16	14	Centered				RU-9040				
		7	178	3	76	5/8	16	Centered				RA-0950 ⁴	RA-095V ⁴		RU-0980PK	
		7	178	4	102	5/8	16	Centered				RA-0960 ⁴	RA-096V ⁴		22-8019PK	
		7	178	6	152	5/8	16	Centered				RU-9004			22-8021PK	
3-1/8	79	5	127	1-7/8	48	3/4	19	Offset		1	25	YA-6598				
		6	152	4-1/4	108	5/8	16	Centered				E-2996				
3-5/16	84	5-3/8	137	6-3/16	157	5/8	16	Centered				E-1998				
		5-13/16	148	7-1/4	184	3/4	19	Centered				E-0774				
3-3/8	86	5-13/16	148	7-1/4	184	5/8	16	Centered				E-1009				
3-1/2	89	5	127	3	76	5/8	16	Centered				RU-1790	RC-1790		22-8015PK	
		5	127	5-5/8	143	5/8	16	Centered				RU-5114			CM-4508DK	
		5	127	8-1/2	216	5/8	16	Centered				RU-1785				
3-17/32	90	4	102	5-31/32	152	23/32	18	Centered						RX-4140 ¹⁵	RU-1470PK	
3-5/8	92	5-13/16	148	7-1/4	184	3/4	19	Centered				E-0773				
4	102	6-1/4	159	6	152	13/16	21	Centered				E-1996				
		6-1/4	159	7-3/4	197	13/16	21	Centered				E-2999				
		7	178	6	152	5/8	16	Centered					RD-1400 ⁵¹		22-8020PK	
		7	178	6	152	1	25	Centered				RD-1450			22-8021PK	
		7	178	8	203	5/8	16	Centered					RD-1410			
		7	178	9	229	1	25	Centered					RD-1460			22-8022PK
		7	178	18	457	5/8	16	Centered						41-1400 ²		25-3918
5	127	6-1/2	165	9	229	1	25	Centered				RU-3020			22-8022PK	
		6-1/2	165	10	254	1	25	Centered				RU-3220			22-8022PK	
5-1/2	140	7	178	9	229	1	25	Centered					RC-3150 ²		22-8022PK	
6	152	7-1/2	191	4-1/2	114	1	25	Centered				RU-1850				
		7-1/2	191	6	152	1	25	Centered				RU-3060			25-3900	
		7-1/2	191	8	203	1	25	Centered				RU-3260				
		7-1/2	191	10	254	1	25	Centered				RU-3270			RU-3270DR	
		7-1/2	191	12	305	1	25	Centered				RU-3040			25-3918	



1) 1/4-20 Jack Nut Into Top 2) Base Has (2) 7/8" Vents 3) Base Has 1/2" Vent 4) Base Has 1/32" Vent 5) Base Has 1/4" Vent 6) Base Has 11/16" Vent 7) Base Has 1-1/8" Vent 8) Base Has 13/16" Vent 9) Base Has 13/32" Vent 10) Base Has 13/64" Vent 11) Base Has 2-3/16" Square Inlet 12) Base Has 15/64" Vent 13) Base Has 19/32" Vent 14) Base Has 21/32" Vent 15) Base Has 25/64" Vent 16) Base Has 29/32" Vent 17) Base Has 3/16" Vent 18) Base Has 3/4" Vent 19) Base Has 3/8" Vent 20) Base Has 31/64" Vent 21) Base Has 35/64" Vent 22) Base Has 45/64" Vent 23) Base Has 5/16" Vent 24) Base Has 5/8" Vent 25) Base Has 55/64" Vent 26) Base Has 7/16" Vent 27) Base Has 7/8" Vent 28) Base Has 9/16" Vent 29) Base Has Opt. 1/2" Vent 30) Base Has 23/32" Vent 31) Base Has 25/32" Vent 32) Filter Has Molded-in Velocity Stack 33) Filter Is Reverse Tapered 34) Fits Legend/Dwarf Race Cars w/FJ1200 Motors 35) Base Has 15/32" Vent 36) Top Plate Has 1/4-20 Stud 37) Top-Plate Has 6MM Stud 39) Offset Is Vertical 41) Offset Is Vertical And To The Right 42) Top Has 1/2" Vent 43) Top Has 1-1/16" Center Hole 44) Top Has 21/32" Center Hole 45) Top Has 23/32" Center Hole 46) Top Has 5/32" Center Hole 47) Top Has 7/16" Center Hole 48) Base Has 11/32" Vent 49) Top Has 1/4" Center Hole 50) Top Has 1-7/16" Center Hole 51) 2-1/2" Adapter Included 52) Top Has 5/8" Vent 53) Tapered Insert Included 5" to 4-3/8" 54) Filter has Thru Hole 2-3/4" x 1-5/8"

Round Tapered



When selecting one of K&N's universal round tapered air filters, you should consider the following dimensions as they relate to the specification chart:

(F) Mounting Flange Inside Diameter - This is the most critical dimension and should be very close to the diameter of the application's inlet flange. The flange will stretch up to 1/16" for those in-between sizes.

(D) Filter Diameter - This is the outside diameter of the filter. Always use the largest diameter practical for maximum filtration.

(L) Filter Length - This dimension is the length of the filter body only, it does not include the flange length. Always use the longest filter practical for maximum filtration.

(FA/FL) Flange Angle and/or Length - If no angle is listed in the specifications table, then the flange is straight. Any angle listed is in degrees and can be utilized when space is a problem.

(FO) Flange Offset - In some cases the center of the flange is offset from the center of the filter base in order to provide a better fit.

(F) Mounting Flange Inside Diameter		(D) Filter Base Diameter		(D) Filter Top Diameter		(L) Filter Length		(FL) Flange Length		(FA) Flange Style	(FO) Flange Offset	Rubber End Cap Part #	Chrome End Cap Part #	Custom End Cap Part #	Filter Wraps Part #	
Inch	mm	Inch	mm	Inch	mm	Inch	mm	Inch	mm	Type	Angle	Inch	mm			
5/16	8	1-3/8	35	1	25	1	25	5/8	16	Centered		RU-3490				
		1-3/8	35	1	25	1-3/8	35	3/8	10	Centered		RU-3170				
1	25	2-7/8	73	3-1/2	89	3-1/2	89	5/8	16	Centered		RE-0200 ²⁰				
1-1/8	29	2-1/4	57	2	51	2-1/2	64	5/8	16	Centered			RC-2540			RC-2540PK
1-1/4	32	2-7/8	73	3-1/2	89	3-1/2	89	5/8	16	Centered		RE-0220 ²⁰				
		2-15/16	75	3-1/2	89	2-7/16	62	5/8	16	Centered		RE-0230 ²⁰				
1-3/8	35	2-1/2	64	2	51	2-1/4	57	5/8	16	Centered			RC-0790			RC-0790PK
1-1/2	38	3	76	3-1/2	89	3-1/2	89	5/8	16	Centered		RE-0240 ²⁰				
1-9/16	40	2-5/8	67	2	51	3	76	5/8	16	Centered			RC-2290			22-8028PK
		3	76	2	51	3	76	5/8	16	Centered			RC-2310			22-8028PK
1-11/16	43	3	76	2	51	2-3/8	60	5/8	16	Centered			RC-2490			
		3	76	2	51	2-3/4	70	5/8	16	Centered		R-1070	RC-1070			22-8028PK
		3	76	2	51	4	102	1-1/2	38	Angled	40°	R-1100				22-8048PK
		3-1/2	89	2	51	4	102	5/8	16	Centered		R-1080				22-8029PK
1-3/4	44	3	76	2	51	2-1/2	64	5/8	16	Centered		RU-2690				
		3	76	3-1/2	89	3-1/2	89	5/8	16	Centered		RE-0260 ¹				
		4-3/8	111	3	76	2-1/2	64	5/8	16	Centered		RU-2680				
		4-1/2	114	3	76	2-1/2	64	5/8	16	Offset		9/16 14	RU-2740			
1-13/16	46	3	76	2	51	2-1/2	64	5/8	16	Centered		RU-2930				22-8028PK
		3	76	2	51	3	76	5/8	16	Centered		RU-2320	RC-2320			22-8028PK
1-7/8	48	3	76	2	51	2	51	5/8	16	Centered		RU-2550	RC-2550			
		3	76	2	51	3	76	5/8	16	Centered		R-1090	RC-1090			22-8028PK
		3	76	2	51	3-11/16	94	1	25	Angled	10°		RC-1290			22-8048PK
1-15/16	49	3	76	2	51	2-1/2	64	5/8	16	Centered		RU-2660	RC-2500			22-8028PK
		3	76	2	51	3	76	5/8	16	Centered		R-1060	RC-1060			22-8028PK
2	51	3	76	3-1/2	89	3-1/2	89	5/8	16	Centered		RE-0280 ²⁰				

1) 1/4-20 Jack Nut Into Top 2) Base Has (2) 7/8" Vents 3) Base Has 1/2" Vent 4) Base Has 1/32" Vent 5) Base Has 1/4" Vent 6) Base Has 11/16" Vent 7) Base Has 1-1/8" Vent 8) Base Has 13/16" Vent 9) Base Has 13/32" Vent 10) Base Has 13/64" Vent 11) Base Has 2-3/16" Square Inlet 12) Base Has 15/64" Vent 13) Base Has 19/32" Vent 14) Base Has 21/32" Vent 15) Base Has 25/64" Vent 16) Base Has 29/32" Vent 17) Base Has 3/16" Vent 18) Base Has 3/4" Vent 19) Base Has 3/8" Vent 20) Base Has 31/64" Vent 21) Base Has 35/64" Vent 22) Base Has 45/64" Vent 23) Base Has 5/16" Vent 24) Base Has 5/8" Vent 25) Base Has 55/64" Vent 26) Base Has 7/16" Vent 27) Base Has 7/8" Vent 28) Base Has 9/16" Vent 29) Base Has Opt. 1/2" Vent 30) Base Has 23/32" Vent 31) Base Has 25/32" Vent 32) Filter Has Molded-in Velocity Stack 33) Filter Is Reverse Tapered 34) Fits Legend/Dwarf Race Cars w/FJ1200 Motors 35) Base Has 15/32" Vent 36) Top Plate Has 1/4-20 Stud 37) Top-Plate Has 6MM Stud 39) Offset Is Vertical 41) Offset Is Vertical And To The Right 42) Top Has 1/2" Vent 43) Top Has 1-1/16" Center Hole 44) Top Has 21/32" Center Hole 45) Top Has 23/32" Center Hole 46) Top Has 5/32" Center Hole 47) Top Has 7/16" Center Hole 48) Base Has 11/32" Vent 49) Top Has 1/4" Center Hole 50) Top Has 1-7/16" Center Hole 51) 2-1/2" Adapter Included 52) Top Has 5/8" Vent 53) Tapered Insert Included 5" to 4-3/8" 54) Filter Has Thru Hole 2-3/4" x 1-5/8"

Round Tapered

(F) Mounting Flange Inside Diameter		(D) Filter Base Diameter		(D) Filter Top Diameter		(L) Filter Length		(FL) Flange Length		(FA) Flange Style		(FO) Flange Offset		Rubber End Cap Part #	Chrome End Cap Part #	Custom End Cap Part #	Filter Wraps Part #
Inch	mm	Inch	mm	Inch	mm	Inch	mm	Inch	mm	Type	Angle	Inch	mm				
2	51	3-1/8	79	2	51	3	76	5/8	16	Centered				RU-2580	RC-2580		22-8028PK
		5-3/16	132	3-1/2	89	3-7/16	87	1-3/8	35	Offset		21/32	17			RC-8350 ³⁷	
		5-3/16	132	3-1/2	89	3-11/16	94	1-3/8	35	Offset		21/32	17		RC-9920 ^{34,19}		
		6-7/8	175	5-7/8	149	2-9/16	65	1-3/4	44	Offset		7/8	22		RC-70018 ^{3,19,5}		
2-1/16	52	3-1/4	83	3	76	4	102	5/8	16	Centered					RC-1350		
		3-1/2	89	2	51	4	102	5/8	16	Centered				RU-1200	RC-1200		22-8029PK
		3-1/2	89	3	76	4	102	7/8	22	Centered					RA-050V		
		3-9/16	90	3-1/2	89	4-7/8	124	5/8	16	Centered					RC-8170		
2-1/8	54	3	76	2	51	2-3/4	70	5/8	16	Centered					RC-2340		22-8028PK
		3	76	2	51	3	76	5/8	16	Centered					RC-2330		22-8028PK
		3-1/2	89	2	51	4	102	5/8	16	Centered					RC-1920		22-8029PK
		4-1/2	114	3-1/2	89	4-3/4	121	13/16	21	Centered					RC-4890		
		5-3/16	132	3-1/2	89	5-1/2	140	7/8	22	Offset		19/32	15		RC-8090 ⁴⁴		
2-3/16	56	6-13/16	173	5-7/8	149	2-9/16	65	1-3/4	44	Offset		27/32	21		RC-5154 ³		
2-1/4	57	3-1/2	89	2	51	4	102	5/8	16	Centered				R-1260	RC-1250		22-8029PK
		5	127	3-1/2	89	3-9/16	90	11/16	17	Centered					RC-9220 ¹¹		
		5-1/8	130	4-5/8	117	6	152	5/8	16	Centered				RU-3560			25-3900
		6-13/16	173	5-7/8	149	2-9/16	65	1-3/4	44	Centered					RC-70021 ²⁸		
2-9/32	58	4-17/32	115	3-1/2	89	4-15/16	125	2-13/32	61	Centered					RC-5157		
2-3/8	60	4-5/8	117	3-1/2	89	4-13/16	122	13/16	21	Centered					RC-9380		
		5-3/16	132	3-1/2	89	3-3/4	95	23/32	18	Offset		17/32	13		RC-1624		
		5-3/16	132	3-1/2	89	4-3/16	106	5/8	16	Offset		19/32	15		RC-9830 ⁶		
		5-3/16	132	3-1/2	89	4-11/32	110	3/4	19	Offset		19/32	15		RC-8490 ¹⁸		
		5-3/16	132	3-1/2	89	4-5/16	110	3/4	19	Offset		21/32	17		RC-9390		
2-13/32	61	4-23/32	120	3-31/32	101	5-63/100	143	3-11/32	85	Centered						RX-5179	
2-7/16	62	3-1/2	89	2	51	5	127	5/8	16	Centered				SN-2570			SN-2570PK
		3-3/4	95	3	76	4	102	2	51	Angled	20°			SN-2530			SN-2530PK
		3-3/4	95	3	76	5	127	2	51	Angled	20°			SN-2520			SN-2520PK
		3-3/4	95	3	76	6	152	2	51	Angled	20°			SN-2510			SN-2510PK
		4-7/16	113	4	102	3-3/4	95	7/8	22	Centered						RX-4010	
		4-1/2	114	4	102	6-1/8	156	7/8	22	Centered						RX-3820-1 ^{1,15}	RX-3820PK
		4-1/2	114	4	102	6-9/16	167	2-15/16	75	Angled	20°					RX-3800 ¹⁵	RX-3820PK
		4-1/2	114	6	152	6-1/8	156	7/8	22	Centered						RX-3810XD ^{1,15}	RX-3810DK
		4-1/2	114	6	152	6-9/16	167	2-7/8	73	Angled	20°					RX-3770 ^{1,15}	RX-3810DK
		5-1/8	130	3-1/2	89	6	152	5/8	16	Centered					RC-4160		RC-4160DK
		5-1/2	140	4-1/2	114	4	102	5/8	16	Offset		1/2	13	R-1380			
2-1/2	64	4-1/2	114	3-1/2	89	3-3/16	81	3/4	19	Centered					RC-8100		
		4-1/2	114	3-1/2	89	5	127	3/4	19	Centered					RC-9630		RC-9350DK
		4-1/2	114	3-1/2	89	6	152	3/4	19	Centered					RC-5062XD		RC-5062DK
		4-21/32	118	3-1/2	89	3-7/8	98	13/16	21	Centered					RC-9080		
		4-21/32	118	3-1/2	89	4-7/8	124	13/16	21	Centered					RC-9800		
		4-21/32	118	3-1/2	89	5-15/16	151	13/16	21	Centered					RC-9360		
		5	127	5-1/2	140	2-3/4	70	5/8	16	Centered						RE-0380	
		5-3/16	132	3-1/2	89	3-3/4	95	11/16	17	Offset		19/32	15		RC-9700		
		5-3/16	132	3-1/2	89	4-9/16	116	3/4	19	Offset		11/16	17		RC-9780		

1) 1/4-20 Jack Nut Into Top 2) Base Has (2) 7/8" Vents 3) Base Has 1/2" Vent 4) Base Has 1/32" Vent 5) Base Has 1/4" Vent 6) Base Has 11/16" Vent 7) Base Has 1-1/8" Vent 8) Base Has 13/16" Vent 9) Base Has 13/32" Vent 10) Base Has 13/64" Vent 11) Base Has 2-3/16" Square Inlet 12) Base Has 15/64" Vent 13) Base Has 19/32" Vent 14) Base Has 21/32" Vent 15) Base Has 25/64" Vent 16) Base Has 29/32" Vent 17) Base Has 3/16" Vent 18) Base Has 3/4" Vent 19) Base Has 3/8" Vent 20) Base Has 31/64" Vent 21) Base Has 35/64" Vent 22) Base Has 45/64" Vent 23) Base Has 5/16" Vent 24) Base Has 5/8" Vent 25) Base Has 55/64" Vent 26) Base Has 7/16" Vent 27) Base Has 7/8" Vent 28) Base Has 9/16" Vent 29) Base Has Opt. 1/2" Vent 30) Base Has 23/32" Vent 31) Base Has 25/32" Vent 32) Filter Has Molded-in Velocity Stack 33) Filter Is Reverse Tapered 34) Fits Legend/Dwarf Race Cars w/FJ1200 Motors 35) Base Has 15/32" Vent 36) Top Plate Has 1/4-20 Stud 37) Top Plate Has 6MM Stud 39) Offset Is Vertical 41) Offset Is Vertical And To The Right 42) Top Has 1/2" Vent 43) Top Has 1-1/16" Center Hole 44) Top Has 21/32" Center Hole 45) Top Has 23/32" Center Hole 46) Top Has 5/32" Center Hole 47) Top Has 7/16" Center Hole 48) Base Has 11/32" Vent 49) Top Has 1/4" Center Hole 50) Top Has 1-7/16" Center Hole 51) 2-1/2" Adapter Included 52) Top Has 5/8" Vent 53) Tapered Insert Included 5" to 4-3/8" 54) Filter has Thru Hole 2-3/4" x 1-5/8"

Round Tapered

(F) Mounting Flange Inside Diameter		(D) Filter Base Diameter		(D) Filter Top Diameter		(L) Filter Length		(FL) Flange Length		(FA) Flange Style		(FO) Flange Offset		Rubber End Cap Part #	Chrome End Cap Part #	Custom End Cap Part #	Filter Wraps Part #	
Inch	mm	Inch	mm	Inch	mm	Inch	mm	Inch	mm	Type	Angle	Inch	mm					
2-1/2	64	5-3/16	132	3-1/2	89	4-9/16	116	3/4	19	Offset		19/32	15		RC-9490	RC-8320 ³⁷		
		5-3/16	132	3-1/2	89	4-11/16	119	3/4	19	Offset		19/32	15		RC-9690 ²¹			
		5-3/16	132	3-1/2	89	5-15/16	151	3/4	19	Offset		19/32	15		RC-9510 ²¹			
		5-1/4	133	2-1/2	64	5-3/4	146	1-1/2	38	Angled	20°				RU-5006			
		5-1/4	133	2-1/2	64	5-3/4	146	1-1/2	38	Centered					RU-5005			
		5-1/4	133	3-1/2	89	4-1/2	114	11/16	17	Offset			5/8	16		RC-9420 ⁶		
		5-1/4	133	5-1/2	140	1-7/8	48	5/8	16	Centered							ML-0850	
		5-3/8	137	5-1/2	140	5-7/8	149	3/4	19	Centered					E-1006			
		5-1/2	140	4-1/2	114	6	152	3/4	19	Centered						RC-4670		RF-1023DK
		6	152	5	127	5	127	2	51	Centered						RU-5174		RX-4990DK
6	152	5	127	5-1/2	140	2	51	Centered						RU-4950		RX-4950 ¹	RX-4990DK	
6	152	5	127	6-1/2	165	2	51	Centered						RU-4860		RX-4860 ¹	RX-4730DK	
6-11/16	170	3-1/2	89	7-1/16	179	13/16	21	Offset			1	25		RC-9300 ^{31,3}				
6-27/32	174	5-27/32	148	2-9/16	65	1-25/32	45	Angled	30°					RC-5049				
2-9/16	65	6-7/8	175	5-7/8	149	2-1/2	64	1-11/16	43	Offset		7/8	22		RC-4620 ⁴			
2-5/8	67	5-3/16	132	3-1/2	89	4-1/2	114	3/4	19	Offset		21/32	17		RC-9250			
		5-3/16	132	3-1/2	89	6	152	3/4	19	Offset		1-1/2	38		RC-9340			
2-11/16	68	4-7/16	113	3-1/2	89	4-7/16	113	5/8	16	Centered					RC-9280			
		4-1/2	114	3	76	5	127	5/8	16	Centered					RC-4340		SN-2520PK	
		5-3/16	132	3-1/2	89	4-5/16	110	3/4	19	Offset		9/16	14		RC-8070 ²³			
		5-3/16	132	3-1/2	89	4-3/8	111	3/4	19	Offset		9/16	14		RC-9400 ^{22,24}			
		5-3/16	132	3-1/2	89	4-7/16	113	3/4	19	Offset		9/16	14		RC-9650			
		5-3/16	132	3-1/2	89	4-1/2	114	3/4	19	Offset		9/16	14		RC-9580 ²⁵			
		5-3/16	132	3-1/2	89	4-9/16	116	3/4	19	Offset		9/16	14		RC-9440 ²¹			
		5-3/16	132	3-1/2	89	4-9/16	116	5/8	16	Offset		19/32	15		RC-9560			
		5-3/16	132	3-1/2	89	6	152	3/4	19	Offset		19/32	15		RC-9680 ¹⁷			
		5-3/16	132	3-1/2	89	6	152	3/4	19	Offset		9/16	14		RC-9590 ¹⁷			
		5-3/16	132	4	102	3-7/16	87	3/4	19	Offset		19/32	15		RU-9160			
		5-3/4	146	3-1/2	89	4-1/2	114	3/4	19	Offset		1/2	13		RC-9940 ^{8,30}			
		5-3/4	146	3-1/2	89	6-5/8	168	3/4	19	Offset		1-1/2	38		RC-1586 ²⁶			
		5-25/32	147	3-1/2	89	4-9/16	116	5/8	16	Offset		1/2	13		RC-9730 ^{35,3}			
2-23/32	69	6-11/16	170	3-1/2	89	7-23/32	196	5/8	16	Offset		1	25		RC-9290			
2-3/4	70	3-3/4	95	4	102	5-9/16	141	13/16	21	Centered				RU-5090			RC-9310DK	
		4	102	2	51	6	152	1	25	Angled	10°			RU-3120			22-8030DK	
		4	102	2	51	7	178	1	25	Angled	10°			RU-3590				
		4	102	3	76	5	127	1	25	Angled	10°				SN-2590		SN-2590PK	
		4	102	3	76	6	152	1	25	Angled	10°				SN-2600		SN-2600PK	
		4	102	3	76	6	152	51	Angled	20°					SN-2620		SN-2620PK	
		4-1/2	114	3	76	4	102	5/8	16	Centered					SN-2580		SN-2580PK	
		4-11/16	119	3-1/2	89	4-1/16	103	3/4	19	Centered						RC-9870		
		4-11/16	119	3-1/2	89	4-7/8	124	13/16	21	Centered						RC-9350		RC-9350DK
		4-11/16	119	3-1/2	89	4-15/16	125	13/16	21	Centered						RC-5133		
		4-11/16	119	3-1/2	89	5-5/16	135	13/16	21	Centered						RC-8340		
4-11/16	119	3-1/2	89	6	152	3/4	19	Centered						RC-5159				
4-3/4	121	3-1/2	89	5-7/8	149	13/16	21	Centered						RC-9310		RC-9310DK		

1) 1/4-20 Jack Nut Into Top 2) Base Has (2) 7/8" Vents 3) Base Has 1/2" Vent 4) Base Has 1/32" Vent 5) Base Has 1/4" Vent 6) Base Has 11/16" Vent 7) Base Has 1-1/8" Vent 8) Base Has 13/16" Vent 9) Base Has 13/32" Vent 10) Base Has 13/64" Vent 11) Base Has 2-3/16" Square Inlet 12) Base Has 15/64" Vent 13) Base Has 19/32" Vent 14) Base Has 21/32" Vent 15) Base Has 25/64" Vent 16) Base Has 29/32" Vent 17) Base Has 3/16" Vent 18) Base Has 3/4" Vent 19) Base Has 3/8" Vent 20) Base Has 31/64" Vent 21) Base Has 35/64" Vent 22) Base Has 45/64" Vent 23) Base Has 5/16" Vent 24) Base Has 5/8" Vent 25) Base Has 55/64" Vent 26) Base Has 7/16" Vent 27) Base Has 7/8" Vent 28) Base Has 9/16" Vent 29) Base Has Opt. 1/2" Vent 30) Base Has 23/32" Vent 31) Base Has 25/32" Vent 32) Filter Has Molded-in Velocity Stack 33) Filter Is Reverse Tapered 34) Fits Legend/Dwarf Race Cars w/F1200 Motors 35) Base Has 15/32" Vent 36) Top Plate Has 1/4-20 Stud 37) Top Plate Has 6MM Stud 39) Offset Is Vertical 41) Offset Is Vertical And To The Right 42) Top Has 1/2" Vent 43) Top Has 1-1/16" Center Hole 44) Top Has 21/32" Center Hole 45) Top Has 23/32" Center Hole 46) Top Has 5/32" Center Hole 47) Top Has 7/16" Center Hole 48) Base Has 11/32" Vent 49) Top Has 1/4" Center Hole 50) Top Has 1-7/16" Center Hole 51) 2-1/2" Adapter Included 52) Top Has 5/8" Vent 53) Tapered Insert Included 5" to 4-3/8" 54) Filter has Thru Hole 2-3/4" x 1-5/8"

Round Tapered

(F) Mounting Flange Inside Diameter		(D) Filter Base Diameter		(D) Filter Top Diameter		(L) Filter Length		(FL) Flange Length		(FA) Flange Style		(FO) Flange Offset		Rubber End Cap Part #	Chrome End Cap Part #	Custom End Cap Part #	Filter Wraps Part #
Inch	mm	Inch	mm	Inch	mm	Inch	mm	Inch	mm	Type	Angle	Inch	mm				
2-3/4	70	4-3/4	121	4	102	7-7/8	200	13/16	21	Centered					RC-5144		RC-4690DK
		5-1/16	129	3-1/2	89	3-3/16	81	3/4	19	Centered					RC-5127		
		5-1/16	129	3-1/2	89	4	102	3/4	19	Centered					RC-5128		
		5-1/16	129	3-1/2	89	4-3/8	111	3/4	19	Centered					RC-5135		
		5-1/16	129	3-1/2	89	5-1/2	140	3/4	19	Centered					RC-5131		
		5-3/16	132	3-1/2	89	4-11/32	110	3/4	19	Offset		19/32	15		RC-8410 ¹⁷		
		5-3/16	132	3-1/2	89	4-5/16	110	3/4	19	Offset		1/2	13		RC-4490 ^{6,23}		
		5-3/16	132	3-1/2	89	4-3/8	111	3/4	19	Offset		17/32	13		RC-9980 ^{21,22}		
		5-3/16	132	3-1/2	89	4-31/32	126	5/8	16	Offset		19/32	15		RC-8470 ^{38,44}		
		5-3/16	132	3-1/2	89	5-1/8	130	3/4	19	Offset		11/16	17		RC-4500 ²		25-3900
		5-1/2	140	4-1/2	114	7	178	2-1/2	64	Angled	30°				RC-4790		25-3900
		5-3/4	146	5-15/16	151	7-11/16	195	7/16	11	Centered						RR-3004	
		5-7/8	149	4-1/2	114	5	127	3/4	19	Centered					RC-5284		
		5-7/8	149	4-3/4	121	2-5/8	67	3/4	19	Centered				RU-3390			
		5-7/8	149	4-3/4	121	5	127	3/4	19	Centered				RU-4450			25-3900
		5-7/8	149	4-3/4	121	7	178	3/4	19	Centered				RU-3610			25-3900
		5-7/8	149	5-1/4	133	5	127	3/4	19	Centered						RR-2803	
		6	152	5	127	5-1/2	140	2	51	Centered				RU-4960XD			RX-4960 ¹
		6	152	5	127	6-1/2	165	2	51	Centered				RU-4870			RX-4870
		6-3/4	171	5-7/8	149	3-1/4	83	3/4	19	Centered					RC-4850 ¹	E-2232	
		6-7/8	175	5-7/8	149	2-5/8	67	3/4	19	Centered					RC-9880		
2-13/16	71	4-7/16	113	3-1/2	89	5	127	3-9/16	90	Centered					RC-4510 ⁶		25-3900
		6-7/8	175	5-7/8	149	3-1/8	79	3/4	19	Offset		3/4	19		RC-4640 ⁴		
2-27/32	72	5-3/16	132	3-3/4	95	3-3/4	95	3/4	19	Offset		9/16	14	RU-5146			
2-7/8	73	4	102	3	76	5	127	5/8	16	Centered					RC-2600		25-3900
		4-1/4	108	4	102	4-3/4	121	15/16	24	Centered						RX-4020-1 ¹	
		4-1/2	114	3-1/2	89	5-7/8	149	3/4	19	Centered					RC-5136		25-3900
		5-3/16	132	3-1/2	89	4-7/16	113	3/4	19	Offset		15/32	12		RC-4570 ⁶		
		5-3/16	132	3-1/2	89	4-1/2	114	2-7/8	73	Offset		1/2	13		RC-8390		
2-29/32	74	4-21/32	118	2-5/16	59	5-29/32	150	23/32	18	Centered				RU-9220			25-3900
2-15/16	75	6-3/4	171	5-7/8	149	3-1/8	79	3/4	19	Offset		13/16	21		RC-4770 ⁴		
3	76	4-1/2	114	3-1/2	89	4-5/16	110	3/4	19	Centered					RC-9410		
		4-1/2	114	3-1/2	89	5-3/4	146	3/4	19	Centered				RU-5111			25-3900
		4-1/2	114	6	152	4-5/8	117	7/8	22	Centered						RX-3900-1 ¹	
		5	127	3-1/2	89	4-5/8	117	3/4	19	Centered					RC-9480		
		5	127	3-1/2	89	5-15/16	151	3/4	19	Centered					RC-9640		
		5	127	3-1/2	89	6	152	1-3/4	44	Centered					RF-1039		RC-4160DK
		5	127	4	102	6	152	1-3/4	44	Centered					RC-4650		RC-4650DK
		5	127	4	102	7-7/8	200	1-1/4	32	Centered					RC-4690		RC-4690DK
		5	127	4-1/2	114	5	127	1-3/4	44	Centered					RC-3870		25-3900
		5	127	4-1/2	114	6-1/2	165	1-13/16	46	Centered					RF-1030		RC-4630DK
		5	127	4-5/8	117	4	102	1-3/4	44	Centered				RU-3700			22-8014PK
		5	127	4-5/8	117	8	203	1-3/4	44	Centered				RE-0910			RE-0910PK
		5-1/8	130	5-3/8	137	4-1/2	114	1-1/2	38	Centered						HA-4099	22-8016PK
		6	152	3-1/2	89	6	152	1-3/4	44	Centered					RC-4290		

1) 1/4-20 Jack Nut Into Top 2) Base Has (2) 7/8" Vents 3) Base Has 1/2" Vent 4) Base Has 1/32" Vent 5) Base Has 1/4" Vent 6) Base Has 11/16" Vent 7) Base Has 1-1/8" Vent 8) Base Has 13/16" Vent 9) Base Has 13/32" Vent 10) Base Has 13/64" Vent 11) Base Has 2-3/16" Square Inlet 12) Base Has 15/64" Vent 13) Base Has 19/32" Vent 14) Base Has 21/32" Vent 15) Base Has 25/64" Vent 16) Base Has 29/32" Vent 17) Base Has 3/16" Vent 18) Base Has 3/4" Vent 19) Base Has 3/8" Vent 20) Base Has 31/64" Vent 21) Base Has 35/64" Vent 22) Base Has 45/64" Vent 23) Base Has 5/16" Vent 24) Base Has 5/8" Vent 25) Base Has 55/64" Vent 26) Base Has 7/16" Vent 27) Base Has 7/8" Vent 28) Base Has 9/16" Vent 29) Base Has Opt. 1/2" Vent 30) Base Has 23/32" Vent 31) Base Has 25/32" Vent 32) Filter Has Molded-in Velocity Stack 33) Filter Is Reverse Tapered 34) Fits Legend/Dwarf Race Cars w/FJ1200 Motors 35) Base Has 15/32" Vent 36) Top Plate Has 1/4-20 Stud 37) Top-Plate Has 6MM Stud 39) Offset Is Vertical 41) Offset Is Vertical And To The Right 42) Top Has 1/2" Vent 43) Top Has 1-1/16" Center Hole 44) Top Has 21/32" Center Hole 45) Top Has 23/32" Center Hole 46) Top Has 5/32" Center Hole 47) Top Has 7/16" Center Hole 48) Base Has 11/32" Vent 49) Top Has 1/4" Center Hole 50) Top Has 1-7/16" Center Hole 51) 2-1/2" Adapter Included 52) Top Has 5/8" Vent 53) Tapered Insert Included 5" to 4-3/8" 54) Filter has Thru Hole 2-3/4" x 1-5/8"

Round Tapered

(F) Mounting Flange Inside Diameter		(D) Filter Base Diameter		(D) Filter Top Diameter		(L) Filter Length		(FL) Flange Length		(FA) Flange Style		(FO) Flange Offset		Rubber End Cap Part #	Chrome End Cap Part #	Custom End Cap Part #	Filter Wraps Part #
Inch	mm	Inch	mm	Inch	mm	Inch	mm	Inch	mm	Type	Angle	Inch	mm				
3	76	6	152	4	102	5	127	1-3/4	44	Centered				RU-3580			25-3900
		6	152	4	102	6-3/4	171	1-3/4	44	Centered					RC-4700		RC-4700DK
		6	152	4	102	8-11/16	221	15/16	24	Centered						RX-3990-1 ¹	
		6	152	4-1/2	114	6	152	1-3/4	44	Centered					RC-4180		22-8033PK
		6	152	4-1/2	114	8	203	1-3/4	44	Centered					RC-5106		RC-5106DK
		6	152	4-5/8	117	6	152	1-3/4	44	Centered				RE-0930			22-8033PK
		6	152	4-5/8	117	9	229	1-3/4	44	Centered				RE-0810			25-0810
		6	152	4-5/8	117	12	305	1-3/4	44	Centered				RE-0800			22-8034PK
		6	152	4-5/8	117	14	356	1-3/4	44	Centered				RE-0820			22-8035PK
		6	152	4-3/4	121	6	152	1-3/4	44	Centered				RE-0930-L			
		6	152	5	127	5	127	1-3/4	44	Centered				RU-5176			RX-4990DK
		6	152	5	127	5-9/16	141	1-3/4	44	Centered				RU-4990		RX-4990 ¹	RX-4990DK
		6	152	5	127	6	152	1-3/4	44	Centered					RF-1047		25-3900
		6	152	5	127	6-1/2	165	1-3/4	44	Centered				RU-4730		RX-4730XD ¹	RX-4730DK
		6	152	5-1/8	130	5	127	1-3/4	44	Centered				RU-3570			RX-4990DK
		6	152	5-1/4	133	5	127	1-3/4	44	Centered						RR-3003	
		6	152	5-7/8	149	6	152	1-3/4	44	Centered					RD-1100		
3-1/8	79	4-7/8	124	3-1/2	89	5-7/16	138	23/32	18	Centered					RC-9240		
		4-15/16	125	3-1/2	89	3-15/16	100	3/4	19	Centered					RC-9270		
		4-15/16	125	3-1/2	89	4-3/8	111	15/16	24	Centered					RC-9610		
		4-15/16	125	3-1/2	89	4-5/8	117	3/4	19	Centered					RC-8220		
		4-15/16	125	3-1/2	89	6	152	15/16	24	Centered					RC-8250		
		5	127	3-1/2	89	6	152	3/4	19	Centered					RC-9320		RC-4160DK
		6	152	4-5/8	117	14	356	1-3/4	44	Centered				RE-0940			
		6	152	5	127	7	178	1-3/4	44	Centered					RC-5100		RC-5100DK
3-5/32	80	5-3/4	146	3-1/2	89	4-7/16	113	3/4	19	Offset		1/2	13		RC-9110 ⁴		
		5-25/32	147	3-1/2	89	4-17/32	115	25/32	20	Offset		15/32	12		RC-9670 ¹⁶		
		5-25/32	147	3-1/2	89	4-17/32	115	3/4	19	Offset		1/2	13		RC-9910		
		5-25/32	147	3-1/2	89	5-15/32	139	3/4	19	Offset		1/2	13		RC-8370 ⁴⁰		
		5-25/32	147	3-1/2	89	7-23/32	196	5/8	16	Centered					RC-9950 ^{38,15,1}		
		6-15/16	176	3-1/2	89	7	178	3/4	19	Offset		25/32	20		RC-8450		
3-1/4	83	5-1/2	140	4-1/2	114	8	203	5/8	16	Centered					RF-1025 ¹⁹		RC-5106DK
		5-1/2	140	4-11/16	119	8	203	1-5/8	41	Centered				RU-5122			RC-5106DK
		5-3/4	146	3-1/2	89	4-25/32	121	3/4	19	Offset		9/16	14		RC-9660 ⁴		
		5-3/4	146	3-1/2	89	5-7/16	138	25/32	20	Offset		7/16	11		RC-1637		
		5-3/4	146	3-1/2	89	6-5/8	168	3/4	19	Offset		1/2	13		RC-4560 ²		25-3900
		5-3/4	146	3-1/2	89	6-11/16	170	3/4	19	Offset		1/2	13		RC-4470		25-3900
3-5/16	84	4	102	3-5/16	84	5-13/16	148	1/2	13	Centered						YA-4003	KA-3603PK
		4-3/4	121	3-1/2	89	4-3/8	111	3/4	19	Centered					RC-9770		
		4-3/4	121	3-1/2	89	6	152	3/4	19	Centered					RC-4540		25-3900
		4-3/4	121	3-1/2	89	6-1/2	165	5/8	16	Centered				RU-2710	RC-2710		25-3900
		4-7/8	124	4	102	4-1/4	108	15/16	24	Centered						RX-4120-1 ¹	
		5-3/4	146	3-1/2	89	5-7/16	138	25/32	20	Offset		7/16	11		RC-8110 ²⁸		
3-3/8	86	4-15/16	125	3-1/2	89	3-7/8	98	15/16	24	Centered					RC-9790		
		5-3/4	146	3-1/2	89	4-1/4	108	3/4	19	Offset		9/16	14		RC-8200 ^{3,4}		

1) 1/4-20 Jack Nut Into Top 2) Base Has (2) 7/8" Vents 3) Base Has 1/2" Vent 4) Base Has 1/32" Vent 5) Base Has 1/4" Vent 6) Base Has 11/16" Vent 7) Base Has 1-1/8" Vent 8) Base Has 13/16" Vent 9) Base Has 13/32" Vent 10) Base Has 13/64" Vent 11) Base Has 2-3/16" Square Inlet 12) Base Has 15/64" Vent 13) Base Has 19/32" Vent 14) Base Has 21/32" Vent 15) Base Has 25/64" Vent 16) Base Has 29/32" Vent 17) Base Has 3/16" Vent 18) Base Has 3/4" Vent 19) Base Has 3/8" Vent 20) Base Has 31/64" Vent 21) Base Has 35/64" Vent 22) Base Has 45/64" Vent 23) Base Has 5/16" Vent 24) Base Has 5/8" Vent 25) Base Has 55/64" Vent 26) Base Has 7/16" Vent 27) Base Has 7/8" Vent 28) Base Has 9/16" Vent 29) Base Has Opt. 1/2" Vent 30) Base Has 23/32" Vent 31) Base Has 25/32" Vent 32) Filter Has Molded-in Velocity Stack 33) Filter Is Reverse Tapered 34) Fits Legend/Dwarf Race Cars w/FJ1200 Motors 35) Base Has 15/32" Vent 36) Top Plate Has 1/4-20 Stud 37) Top Plate Has 6MM Stud 39) Offset Is Vertical 41) Offset Is Vertical And To The Right 42) Top Has 1/2" Vent 43) Top Has 1-1/16" Center Hole 44) Top Has 21/32" Center Hole 45) Top Has 23/32" Center Hole 46) Top Has 5/32" Center Hole 47) Top Has 7/16" Center Hole 48) Base Has 11/32" Vent 49) Top Has 1/4" Center Hole 50) Top Has 1-7/16" Center Hole 51) 2-1/2" Adapter Included 52) Top Has 5/8" Vent 53) Tapered Insert Included 5" to 4-3/8" 54) Filter Has Thru Hole 2-3/4" x 1-5/8"

Round Tapered

(F) Mounting Flange Inside Diameter		(D) Filter Base Diameter		(D) Filter Top Diameter		(L) Filter Length		(FL) Flange Length		(FA) Flange Style		(FO) Flange Offset		Rubber End Cap Part #	Chrome End Cap Part #	Custom End Cap Part #	Filter Wraps Part #		
Inch	mm	Inch	mm	Inch	mm	Inch	mm	Inch	mm	Type	Angle	Inch	mm						
3-3/8	86	5-3/4	146	3-1/2	89	4-7/16	113	3/4	19	Offset		9/16	14		RC-9970 ⁴				
		5-3/4	146	3-1/2	89	4-7/8	124	3/4	19	Offset		9/16	14		RC-8000 ¹⁸				
		5-3/4	146	3-1/2	89	5-7/16	138	3/4	19	Offset		5/8	16		RC-9120 ³⁵				
		5-3/4	146	3-1/2	89	6-15/16	176	3/4	19	Offset		9/16	14		RC-8150				
		5-13/16	148	4	102	6	152	5/8	16	Centered					RU-5168			RU-5168DK	
		6	152	4-1/2	114	9	229	3/4	19	Centered						RP-5118	RC-3690DK		
3-13/32	87	5-13/16	148	3-1/2	89	7-27/32	199	3/4	19	Offset		1	25		RC-8260 ³⁸				
3-1/2	89	4-5/8	117	3-1/2	89	3	76	5/8	16	Centered				RU-4410					
		4-5/8	117	3-1/2	89	4-1/2	114	5/8	16	Centered					RU-2790				
		4-5/8	117	3-1/2	89	5-1/2	140	5/8	16	Centered					RU-3550			25-3900	
		4-5/8	117	3-1/2	89	7	178	5/8	16	Centered					RU-3130-L			RU-3130DK	
		5	127	3-1/2	89	4	102	5/8	16	Centered					RU-2990				
		5	127	5-1/8	130	2	51	5/8	16	Centered						RC-4230 ¹⁶			
		5-1/2	140	4	102	8	203	1-1/4	32	Centered						RF-1045			RF-1045DK
		5-1/2	140	4-1/2	114	6-1/2	165	1-1/4	32	Centered						RC-4630XD	RP-4630		RC-4630DK
		5-1/2	140	4-1/2	114	8	203	1-1/4	32	Centered						RC-4760			RC-5106DK
		5-3/4	146	3-1/2	89	6	152	1-3/4	44	Angled	10°					RF-1035			RF-1035DK
		5-3/4	146	3-3/4	95	6	152	1-3/4	44	Angled	10°					RF-1031			RU-5168DK
		5-3/4	146	4-1/2	114	6	152	1-3/4	44	Angled	10°					RF-1023			22-8033PK
		5-3/4	146	5	127	7	178	1-3/4	44	Angled	10°					RF-1016 ²			25-3900
		5-3/4	146	5	127	8	203	1-3/4	44	Angled	10°					RF-1003 ²			
		5-3/4	146	5	127	12-1/8	308	1-3/4	44	Angled	10°					RF-1004 ²			
		6	152	4-1/2	114	9	229	1-3/4	44	Centered					RC-3690			RC-3690DK	
		6	152	4-5/8	117	6	152	1-3/4	44	Centered				RE-0950				22-8033PK	
		6	152	4-5/8	117	9	229	1-3/4	44	Centered				RE-0920				RE-0810PK	
		8	203	6-5/8	168	8	203	1-1/2	38	Centered				RC-5112				RC-5112DK	
		8	203	7	178	12-1/2	318	1-1/2	38	Centered					RC-5165			RC-5165DK	
3-5/8	92	4	102	3-3/4	95	6	152	5/8	16	Centered				RD-6010					
3-3/4	95	5-3/8	137	4-3/8	111	5	127	5/8	16	Centered				RU-4250				25-3900	
		5-3/8	137	4-3/8	111	7	178	5/8	16	Centered					RU-3530			RU-2590DK	
		5-3/4	146	3-1/2	89	6-3/4	171	3/4	19	Offset		7/16	11		RC-8480			25-3900	
3-13/16	97	6-13/16	173	6	152	2-1/8	54	3/4	19	Centered							RX-4130-1 ¹		
3-7/8	98	4-1/4	108	3-1/2	89	4-1/4	108	7/16	11	Centered				RD-6020					
		4-1/4	108	4	102	6	152	7/16	11	Centered					RD-6000			22-8031PK	
		6-3/4	171	5-7/8	149	2-3/4	70	3/4	19	Offset		3/8	10		RC-4840 ⁴				
3-27/32	98	6-7/8	175	5-7/8	149	2-25/32	71	3/4	19	Offset		7/16	11		RC-9600				
		6-7/8	175	5-7/8	149	3-3/16	81	3/4	19	Offset		13/32	10		RC-9990 ²⁴				
3-7/8	98	6-15/16	176	3-1/2	89	7-23/32	196	5/8	16	Offset		3/8	10		RC-9540				
3-27/32	98	6-15/16	176	5-13/16	148	3-1/16	78	3/4	19	Offset		197/5	10		RC-9860 ¹⁴				
		6-15/16	176	5-7/8	149	2-5/8	67	3/4	19	Offset		7/16	11		RC-9520 ²⁸				
3-7/8	98	7-1/2	191	5-1/8	130	7	178	1-1/2	38	Centered					RF-1029 ¹⁹			RF-1029DK	
3-15/16	100	5-7/16	138	4-1/2	114	3-5/8	92	3/4	19	Centered					RC-5057				
		5-7/16	138	4-1/2	114	6	152	3/4	19	Centered								RF-1633 ⁴⁷	
		5-1/2	140	4-1/2	114	3-1/4	83	3/4	19	Centered								RC-5153	
		5-1/2	140	4-1/2	114	4-1/2	114	3/4	19	Centered								RC-5059	

1) 1/4-20 Jack Nut Into Top 2) Base Has (2) 7/8" Vents 3) Base Has 1/2" Vent 4) Base Has 1/32" Vent 5) Base Has 1/4" Vent 6) Base Has 11/16" Vent 7) Base Has 1-1/8" Vent 8) Base Has 13/16" Vent 9) Base Has 13/32" Vent 10) Base Has 13/64" Vent 11) Base Has 2-3/16" Square Inlet 12) Base Has 15/64" Vent 13) Base Has 19/32" Vent 14) Base Has 21/32" Vent 15) Base Has 25/64" Vent 16) Base Has 29/32" Vent 17) Base Has 3/16" Vent 18) Base Has 3/4" Vent 19) Base Has 3/8" Vent 20) Base Has 31/64" Vent 21) Base Has 35/64" Vent 22) Base Has 45/64" Vent 23) Base Has 5/16" Vent 24) Base Has 5/8" Vent 25) Base Has 55/64" Vent 26) Base Has 7/16" Vent 27) Base Has 7/8" Vent 28) Base Has 9/16" Vent 29) Base Has Opt. 1/2" Vent 30) Base Has 23/32" Vent 31) Base Has 25/32" Vent 32) Filter Has Molded-in Velocity Stack 33) Filter Is Reverse Tapered 34) Fits Legend/Dwarf Race Cars w/FJ1200 Motors 35) Base Has 15/32" Vent 36) Top Plate Has 1/4-20 Stud 37) Top Plate Has 6MM Stud 39) Offset Is Vertical 41) Offset Is Vertical And To The Right 42) Top Has 1/2" Vent 43) Top Has 1-1/16" Center Hole 44) Top Has 21/32" Center Hole 45) Top Has 23/32" Center Hole 46) Top Has 5/32" Center Hole 47) Top Has 7/16" Center Hole 48) Base Has 11/32" Vent 49) Top Has 1/4" Center Hole 50) Top Has 1-7/16" Center Hole 51) 2-1/2" Adapter Included 52) Top Has 5/8" Vent 53) Tapered Insert Included 5" to 4-3/8" 54) Filter Has Thru Hole 2-3/4" x 1-5/8"

Round Tapered

(F) Mounting Flange Inside Diameter		(D) Filter Base Diameter		(D) Filter Top Diameter		(L) Filter Length		(FL) Flange Length		(FA) Flange Style		(FO) Flange Offset		Rubber End Cap Part #	Chrome End Cap Part #	Custom End Cap Part #	Filter Wraps Part #	
Inch	mm	Inch	mm	Inch	mm	Inch	mm	Inch	mm	Type	Angle	Inch	mm					
3-15/16	100	5-1/2	140	4-1/2	114	5	127	3/4	19	Centered					RC-5156			
		5-1/2	140	4-1/2	114	5-15/16	151	3/4	19	Centered					RC-5053			
		5-1/2	140	4-1/2	114	6	152	3/4	19	Centered						RF-1682		
4	102	5-3/8	137	3-1/2	89	6	152	5/8	16	Centered				RU-5141 ³⁵			RP-4660DK	
		5-3/8	137	4	102	5-1/16	129	5/8	16	Centered						RP-4930	RP-4660DK	
		5-3/8	137	4	102	5-1/2	140	5/8	16	Centered						RP-4660	RP-4660DK	
		5-3/8	137	4	102	6-1/2	165	5/8	16	Centered					RC-5149	RP-4980	RC-5149DK	
		5-3/8	137	4	102	7	178	5/8	16	Centered						RP-4970	22-8032PK	
		5-3/8	137	4-3/8	111	3-1/2	89	5/8	16	Centered				RU-2510				
		5-3/8	137	4-3/8	111	5	127	5/8	16	Centered				RU-2520			25-3900	
		5-3/8	137	4-3/8	111	7	178	5/8	16	Centered				RU-2590				RU-2590DK
		5-3/8	137	4-1/2	114	5	127	5/8	16	Centered					RC-3600			25-3900
		5-3/8	137	4-1/2	114	6	152	5/8	16	Centered					RF-1049 ³			RF-1023DK
		5-3/8	137	4-1/2	114	7-1/2	191	5/8	16	Centered					RF-1007 ²			
		5-3/8	137	4-1/2	114	8	203	5/8	16	Centered					RC-4580			
		5-3/8	137	5	127	6-1/2	165	5/8	16	Centered					RF-1018 ⁴²			25-3900
		5-1/2	140	7	178	6	152	3/4	19	Centered					RD-1200 ⁵¹			
		6	152	4	102	7	178	1-3/4	44	Centered						RC-4680		RF-1032DK
		6	152	4	102	8	203	1-3/4	44	Centered						RF-1046		
		6	152	4-1/2	114	7	178	5/8	16	Centered					RF-1015			RF-1015DK
		6	152	4-5/8	117	9	229	1-3/4	44	Centered					RE-0870-L			25-0810
		6	152	4-5/8	117	12	305	1-3/4	44	Centered					RE-0860			22-8034PK
		6	152	4-5/8	117	14	356	1-3/4	44	Centered					RE-0880			22-8035PK
		6	152	4-3/4	121	5-1/2	140	1-1/8	29	Centered					RG-1001WT			
		6	152	4-3/4	121	8-5/8	219	1	25	Centered					E-1997			
		6	152	4-3/4	121	9-1/2	241	1-1/8	29	Centered					RG-1002RD			
6-1/2	165	4-1/2	114	6	152	1-3/4	44	Centered					RC-5060			RC-5060DK		
6-1/2	165	4-1/2	114	7	178	1-3/4	44	Centered					RF-1032			RF-1032DK		
6-1/2	165	4-1/2	114	8	203	1-3/4	44	Centered					RF-1027			RF-1027DK		
6-5/8	168	5-1/4	133	9-1/2	241	1-11/16	43	Centered						RC-4780 ^{2,29,30}		RC-4780DK		
6-3/4	171	5-7/8	149	9-1/2	241	1-3/4	44	Centered					RU-5045			RU-5045DK		
6-7/8	175	5-7/8	149	2-3/4	70	3/4	19	Offset	1/2	13			RC-9500 ¹⁹					
8	203	6-5/8	168	8	203	1-1/2	38	Centered					RU-5171HB			25-5166		
8	203	6-5/8	168	12	305	1-1/2	38	Centered							RC-5171	25-5166		
4-1/16	103	6-7/8	175	5-7/8	149	2-3/16	56	3/4	19	Offset		15/32	12		RC-4480 ⁴			
		6-7/8	175	5-7/8	149	3-1/8	79	3/4	19	Offset		9/32	7		RC-9470 ⁴⁸			
4-1/8	105	7-3/8	187	6-5/8	168	7-7/8	200	1-1/8	29	Centered					RC-4900 ²⁹		RC-4900DK	
		7-3/8	187	7	178	11-1/2	292	1-1/8	29	Centered					RC-5181		RF-1026DK	
4-1/4	108	5-1/2	140	5-11/32	136	6	152	843/1000	21	Centered					RC-1645			
		5-7/8	149	4-1/2	114	6-3/4	171	5/8	16	Centered						RP-5167	RF-1037DK	
4-3/8	111	5-1/2	140	3-1/2	89	2-3/4	70	7/8	22	Centered					RC-9460			
		5-1/2	140	3-1/2	89	3-5/16	84	7/8	22	Centered					RC-9890			
		5-1/2	140	3-1/2	89	5-3/16	132	15/16	24	Centered					RC-9210			
6	152	4-5/8	117	6-1/2	165	1-1/4	32	Angled	10°				RU-5061			RX-4990DK		
4-1/2	114	5-7/8	149	4	102	6	152	5/8	16	Centered					RP-5101	RU-5168DK		

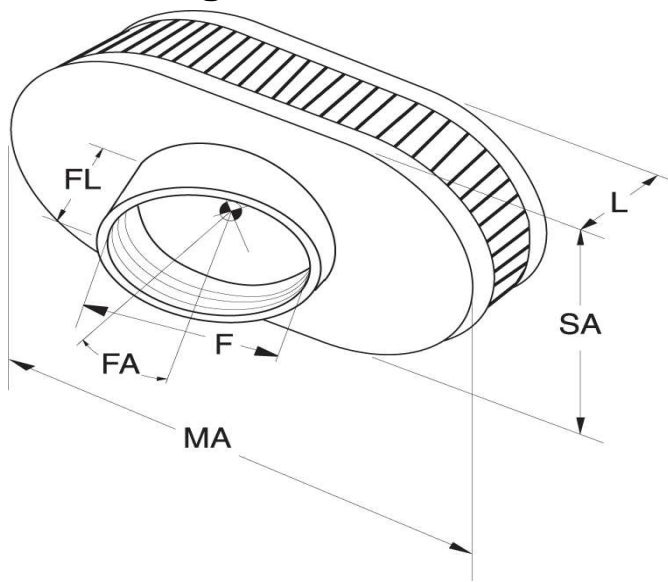
1) 1/4-20 Jack Nut Into Top 2) Base Has (2) 7/8" Vents 3) Base Has 1/2" Vent 4) Base Has 1/32" Vent 5) Base Has 1/4" Vent 6) Base Has 11/16" Vent 7) Base Has 1-1/8" Vent 8) Base Has 13/16" Vent 9) Base Has 13/32" Vent 10) Base Has 13/64" Vent 11) Base Has 2-3/16" Square Inlet 12) Base Has 15/64" Vent 13) Base Has 19/32" Vent 14) Base Has 21/32" Vent 15) Base Has 25/64" Vent 16) Base Has 29/32" Vent 17) Base Has 3/16" Vent 18) Base Has 3/4" Vent 19) Base Has 3/8" Vent 20) Base Has 31/64" Vent 21) Base Has 35/64" Vent 22) Base Has 45/64" Vent 23) Base Has 5/16" Vent 24) Base Has 5/8" Vent 25) Base Has 55/64" Vent 26) Base Has 7/16" Vent 27) Base Has 7/8" Vent 28) Base Has 9/16" Vent 29) Base Has Opt. 1/2" Vent 30) Base Has 23/32" Vent 31) Base Has 25/32" Vent 32) Filter Has Molded-in Velocity Stack 33) Filter Is Reverse Tapered 34) Fits Legend/Dwarf Race Cars w/FJ1200 Motors 35) Base Has 15/32" Vent 36) Top Plate Has 1/4-20 Stud 37) Top Plate Has 6MM Stud 38) Offset Is Vertical 39) Offset Is Vertical And To The Right 40) Top Has 1/2" Vent 41) Top Has 1-1/16" Center Hole 42) Top Has 21/32" Center Hole 43) Top Has 23/32" Center Hole 44) Top Has 5/32" Center Hole 45) Top Has 7/16" Center Hole 46) Top Has 11/32" Vent 47) Top Has 1/2" Vent 48) Top Has 1/4" Center Hole 49) Top Has 1-7/16" Center Hole 50) Top Has 1-7/16" Center Hole 51) 2-1/2" Adapter Included 52) Top Has 5/8" Vent 53) Tapered Insert Included 5" to 4-3/8" 54) Filter Has Thru Hole 2-3/4" x 1-5/8"

Round Tapered

(F) Mounting Flange Inside Diameter		(D) Filter Base Diameter		(D) Filter Top Diameter		(L) Filter Length		(FL) Flange Length		(FA) Flange Style		(FO) Flange Offset		Rubber End Cap Part #	Chrome End Cap Part #	Custom End Cap Part #	Filter Wraps Part #
Inch	mm	Inch	mm	Inch	mm	Inch	mm	Inch	mm	Type	Angle	Inch	mm				
4-1/2	114	5-7/8	149	4-1/2	114	4-1/2	114	5/8	16	Centered				RF-1005			
		5-7/8	149	4-1/2	114	5	127	5/8	16	Centered						RT-4610	25-3900
		5-7/8	149	4-1/2	114	6	152	5/8	16	Centered			RU-4740			RP-4740	RF-1023DK
		5-7/8	149	4-1/2	114	8-3/8	213	5/8	16	Centered				RF-1008			RC-5106DK
		5-7/8	149	5	127	3-1/4	83	5/8	16	Centered			RU-3110				
		5-7/8	149	5	127	6	152	5/8	16	Centered			RU-3480				RU-3480PK
		5-7/8	149	5-1/8	130	5	127	5/8	16	Centered			RU-4260				25-3900
		8	203	6-5/8	168	8	203	1-1/2	38	Centered			RU-5283HB				RC-5112DK
		8	203	6-5/8	168	8	203	1-3/8	35	Centered						RC-5283 ²⁹	RC-5112DK
		8	203	6-5/8	168	12	305	1-3/8	35	Centered						RC-5166	25-5166
4-7/8	124	9	229	6-5/8	168	7-15/16	202	1-1/4	32	Centered			RU-5172				RC-5139DK
5	127	6-1/2	165	4-3/8	111	7	178	1	25	Centered			RU-2800				25-3900
		6-1/2	165	4-1/2	114	4-1/8	105	1	25	Centered			RU-5163				RU-5163DK
		6-1/2	165	4-1/2	114	5-1/2	140	1	25	Centered			RU-5147				RU-5147DK
		6-1/2	165	4-1/2	114	5-5/8	143	1	25	Centered						RP-5113	RU-5147DK
		6-1/2	165	5	127	6-1/2	165	1	25	Centered				RF-1037			RF-1037DK
		6-1/2	165	6-3/4	171	5	127	1	25	Centered			RU-5109				25-3900
5-5/8	143	7-1/2	191	5-3/4	146	8	203	1-1/8	29	Centered			E-1993				
6	152	7-1/2	191	4-1/2	114	4	102	1	25	Centered			RU-4600			RT-4600	22-8036PK
		7-1/2	191	4-1/2	114	5	127	1	25	Centered						RT-4590	22-8049DK
		7-1/2	191	4-1/2	114	5	127	5/8	16	Centered						RC-5138	22-8049DK
		7-1/2	191	4-1/2	114	6	152	5/8	16	Centered						RF-1048	RF-1048DK
		7-1/2	191	4-1/2	114	6-1/2	165	5/8	16	Centered						RC-5107	RC-5107DK
		7-1/2	191	4-1/2	114	9	229	5/8	16	Centered						RC-5046	RC-5046DK
		7-1/2	191	5	127	5	127	1	25	Centered						RC-2960XD	22-8049DK
		7-1/2	191	5	127	6	152	1	25	Centered			RU-3100	RF-1036	RP-5168	RF-1036DK	
		7-1/2	191	5	127	6	152	5/8	16	Centered				RF-1043			22-8037PK
		7-1/2	191	5	127	6-1/2	165	1	25	Centered				RF-1042XD			RF-1042DK
		7-1/2	191	5	127	7-1/2	191	1	25	Centered				RF-1041			RF-1041DK
		7-1/2	191	5	127	8	203	1	25	Centered			RU-3050	RF-1020			RF-1020DK
		7-1/2	191	5	127	8	203	5/8	16	Centered				RF-1044XD			RF-1020DK
		7-1/2	191	5	127	10	254	1	25	Centered			RU-3280				
		7-1/2	191	5-1/8	130	4	102	1	25	Centered				RF-1009			22-8036PK
		7-1/2	191	5-1/8	130	5	127	1	25	Centered				RC-2960			22-8049DK
		7-1/2	191	5-1/4	133	6	152	1	25	Centered			RU-3102HB				
		7-1/2	191	5-1/4	133	7-1/2	191	1	25	Centered			RU-3101HB				
		7-1/2	191	5-7/8	149	3	76	1	25	Centered				RF-1028			RF-1028DK
		7-1/2	191	5-7/8	149	6	152	1	25	Centered				RC-4940			RC-5173DK
		7-1/2	191	5-7/8	149	6	152	5/8	16	Centered				RC-5173			RC-5173DK
		7-1/2	191	5-7/8	149	6-1/2	165	1	25	Centered				RF-1014			RF-1014DK
		7-1/2	191	7	178	4	102	1	25	Centered				RF-1010 ²			
		7-1/2	191	7	178	8	203	1	25	Centered				RF-1017 ²			22-8050PK
		7-1/2	191	7	178	11	279	1	25	Centered				RF-1026			RF-1026DK
		7-1/2	191	7	178	18	457	1	25	Centered				RC-3070			RC-3070DK
		9	229	6-5/8	168	7-1/2	191	1-1/8	29	Centered			RU-5177HB			RC-5282 ⁴⁴	RC-5139DK

1) 1/4-20 Jack Nut Into Top 2) Base Has (2) 7/8" Vents 3) Base Has 1/2" Vent 4) Base Has 1/32" Vent 5) Base Has 1/4" Vent 6) Base Has 11/16" Vent 7) Base Has 1-1/8" Vent 8) Base Has 13/16" Vent 9) Base Has 13/32" Vent 10) Base Has 13/64" Vent 11) Base Has 2-3/16" Square Inlet 12) Base Has 15/64" Vent 13) Base Has 19/32" Vent 14) Base Has 21/32" Vent 15) Base Has 25/64" Vent 16) Base Has 29/32" Vent 17) Base Has 3/16" Vent 18) Base Has 3/4" Vent 19) Base Has 3/8" Vent 20) Base Has 31/64" Vent 21) Base Has 35/64" Vent 22) Base Has 45/64" Vent 23) Base Has 5/16" Vent 24) Base Has 5/8" Vent 25) Base Has 55/64" Vent 26) Base Has 7/16" Vent 27) Base Has 7/8" Vent 28) Base Has 9/16" Vent 29) Base Has Opt. 1/2" Vent 30) Base Has 23/32" Vent 31) Base Has 25/32" Vent 32) Filter Has Molded-In Velocity Stack 33) Filter Is Reverse Tapered 34) Fits Legend/Dwarf Race Cars w/FJ1200 Motors 35) Base Has 15/32" Vent 36) Top Plate Has 1/4-20 Stud 37) Top-Plate Has 6MM Stud 39) Offset Is Vertical 41) Offset Is Vertical And To The Right 42) Top Has 1/2" Vent 43) Top Has 1-1/16" Center Hole 44) Top Has 21/32" Center Hole 45) Top Has 23/32" Center Hole 46) Top Has 5/32" Center Hole 47) Top Has 7/16" Center Hole 48) Base Has 11/32" Vent 49) Top Has 1/4" Center Hole 50) Top Has 1-7/16" Center Hole 51) 2-1/2" Adapter Included 52) Top Has 5/8" Vent 53) Tapered Insert Included 5" to 4-3/8" 54) Filter has Thru Hole 2-3/4" x 1-5/8"

Oval Straight



When selecting one of K&N's universal oval air filters, you should consider the following dimensions as they relate to the specification chart:

(F) Mounting Flange Inside Diameter - This is the most critical dimension and should be very close to the diameter of the application's inlet flange. The flange will stretch up to 1/16" for those in-between sizes.

(MA / SA) Filter Oval Dimensions - This is the length and width of the filter. Always use the largest filter practical to fit the application.

(L) Filter Length - This dimension is the length of the filter body only, it does not include the flange length. Always use the longest filter practical for maximum filtration.

(FA / FL) Flange Angle and/or Length - If no angle is listed in the specifications table, then the flange is straight. Any angle listed is in degrees and can be utilized when space is a problem.

(FO) Flange Offset - In some cases the center of the flange is offset from the center of the filter base in order to provide a better fit.

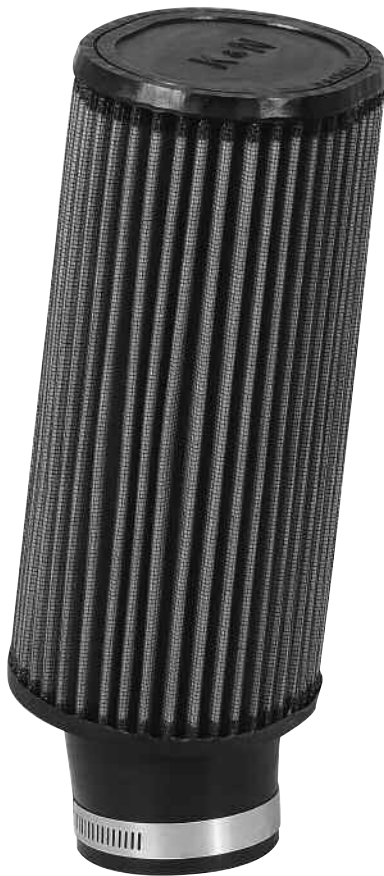
(F) Mounting Flange Inside Diameter		(MA/SA) Filter Dimensions		(L) Filter Length		(FL) Flange Length		(FA) Flange Style		(FO) Flange Offset		Rubber End Cap Part #	Chrome End Cap Part #	Filter Wraps ¹⁴ Part #
Inch	mm	Inch	mm	Inch	mm	Inch	mm	Type	Angle	Inch	mm			
1-1/2	38	3-3/4x4-1/2	95x114	2-3/4	70	1	25	Angled	30°			R-0640		
2-1/16	52	4-1/2x7	114x178	1-1/2	38	7/8	22	Offset		1/2	13	RA-0700 ⁵	RA-070V ⁵	22-2000PL
		4-1/2x7	114x178	2	51	7/8	22	Offset		1/2	13	RA-0710 ⁵	RA-071V ⁵	22-2000PL
		4-1/2x7	114x178	3	76	7/8	22	Offset		1/2	13	RA-0720 ⁵	RA-072V ⁵	22-2020PL
2-1/4	57	4x6-1/4	102x159	4-1/2	114	1	25	Angled	10°			RU-1320		
		4x6-1/4	102x159	6	152	1	25	Angled	10°			RU-1330		
		3-3/4x4-1/2	95x114	4	102	5/8	16	Centered				RU-0990		
		3-3/4x4-1/2	95x114	5	127	5/8	16	Centered				RU-1100		
		3-3/4x4-1/2	95x114	5	127	1	25	Angled	10°			RU-1140		
		3-3/4x4-1/2	95x114	6	152	1	25	Angled	10°			RU-1150		RU-1230PK
		3-3/4x4-1/2	95x114	2	51	5/8	16	Centered				R-1390		22-8023PK
2-7/16	62	4x6-1/4	102x159	4-1/2	114	1	25	Angled	10°			RU-1340		
		4x6-1/4	102x159	5	127	1	25	Angled	10°			RU-1350		
		4x6-1/4	102x159	6	152	1	25	Angled	10°			RU-1360		
		4-1/2x7	114x178	2	51	5/8	16	Centered					RC-1980	22-2000PL
		3-1/4x4-3/8	83x111	6-3/4	171	1-1/8	29	Centered				AT-6091		
		3-3/4x4-1/2	95x114	5	127	5/8	16	Centered				RU-1180		
		3-3/4x4-1/2	95x114	5	127	1	25	Angled	10°			RU-1220		
		3-3/4x4-1/2	95x114	5	127	1-1/4	32	Angled	20°			RU-1371 ²¹		
		3-3/4x4-1/2	95x114	6	152	1	25	Angled	10°			RU-1230		RU-1230PK
		3-3/4x4-1/2	95x114	6	152	1-1/4	32	Angled	20°			RU-1380		RU-1230PK
		3-3/4x4-1/2	95x114	7	178	5/8	16	Centered				RU-1810		RU-1240PK
		3-3/4x4-1/2	95x114	7	178	1	25	Angled	10°			RU-1240		RU-1240PK
		3-3/4x4-1/2	95x114	7	178	1-1/4	32	Angled	20°			RU-1390		RU-1240PK
3-3/4x4-1/2	95x114	9	229	1	25	Angled	10°			RU-1260		RU-1260PK		
2-1/2	64	3-3/4x4-1/2	95x114	7	178	2-1/8	54	Angled	10°			RU-1830		RU-1240PK

1) 1/4-20 Jack Nut Into Top 2) Base Has (2) 7/8" Vents 3) Base Has 1/2" Vent 4) Base Has 1/32" Vent 5) Base Has 1/4" Vent 6) Base Has 11/16" Vent 7) Base Has 1-1/8" Vent 8) Base Has 13/16" Vent 9) Base Has 13/32" Vent 10) Base Has 13/64" Vent 11) Base Has 2-3/16" Square Inlet 12) Base Has 15/64" Vent 13) Base Has 19/32" Vent 14) Base Has 21/32" Vent 15) Base Has 25/64" Vent 16) Base Has 29/32" Vent 17) Base Has 3/16" Vent 18) Base Has 3/4" Vent 19) Base Has 3/8" Vent 20) Base Has 31/64" Vent 21) Base Has 35/64" Vent 22) Base Has 45/64" Vent 23) Base Has 5/8" Vent 24) Base Has 55/64" Vent 25) Base Has 7/16" Vent 26) Base Has 7/8" Vent 27) Base Has 7/8" Vent 28) Base Has 9/16" Vent 29) Base Has Opt. 1/2" Vent 30) Base Has 23/32" Vent 31) Base Has 25/32" Vent 32) Filter Has Molded-in Velocity Stack 33) Filter Is Reverse Tapered 34) Fits Legend/Dwarf Race Cars w/FJ1200 Motors 35) Base Has 15/32" Vent 36) Top Plate Has 1/4-20 Stud 37) Top Plate Has 6MM Stud 38) Offset Is Vertical 39) Offset Is Vertical And To The Right 40) Top Has 1/2" Vent 41) Top Has 1-1/16" Center Hole 42) Top Has 21/32" Center Hole 43) Top Has 23/32" Center Hole 44) Top Has 5/32" Center Hole 45) Top Has 7/16" Center Hole 46) Base Has 11/32" Vent 47) Top Has 1/4" Center Hole 48) Top Has 1-7/16" Center Hole 49) Top Has 2-1/2" Adapter Included 50) Top Has 5/8" Vent 51) Tapered Insert Included 5" to 4-3/8" 52) Filter Has Thru Hole 2-3/4" x 1-5/8"

Oval Straight

(F) Mounting Flange Inside Diameter		(MA/SA) Filter Dimensions		(L) Filter Length		(FL) Flange Length		(FA) Flange Style		(FO) Flange Offset		Rubber End Cap Part #	Chrome End Cap Part #	Filter Wraps ¹⁴ Part #
Inch	mm	Inch	mm	Inch	mm	Inch	mm	Type	Angle	Inch	mm			
2-1/2	64	3-3/4x4-1/2	95x114	9	229	2-1/8	54	Angled	10°			RU-1840		RU-1260PK
2-9/16	65	4-1/2x7	114x178	1-1/2	38	7/8	22	Offset		1/2	13	RA-0750	RA-075V	22-2000PL
		4-1/2x7	114x178	2	51	7/8	22	Offset		1/2	13	RA-0760	RA-076V	22-2000PL
		4-1/2x7	114x178	3	76	7/8	22	Offset		1/2	13	RA-0770	RA-077V	22-2020PL
2-3/4	70	4x6-1/4	102x159	5	127	5/8	16	Centered				RU-1500	RC-1500	
		4x6-1/4	102x159	5	127	1	25	Angled	10°			RU-1530		
		4x6-1/4	102x159	6	152	1	25	Angled	10°			RU-1540	RC-1540	
		4x6-1/4	102x159	7	178	5/8	16	Centered				RU-1520	RC-1520	
		4x6-1/4	102x159	7	178	1	25	Angled	10°			RU-1550		
		4-1/2x7	114x178	2	51	5/8	16	Centered					RC-2000	22-2000PL
		4-1/2x7	114x178	3	76	5/8	16	Centered					RC-2860	22-2020PL
3-1/2	89	4-1/2x7	114x178	7	178	5/8	16	Centered				RU-3620		
		4-1/2x7	114x178	3-1/2	89	5/8	16	Centered					RC-3180	E-3341PK

PART NUMBER
RU-1840



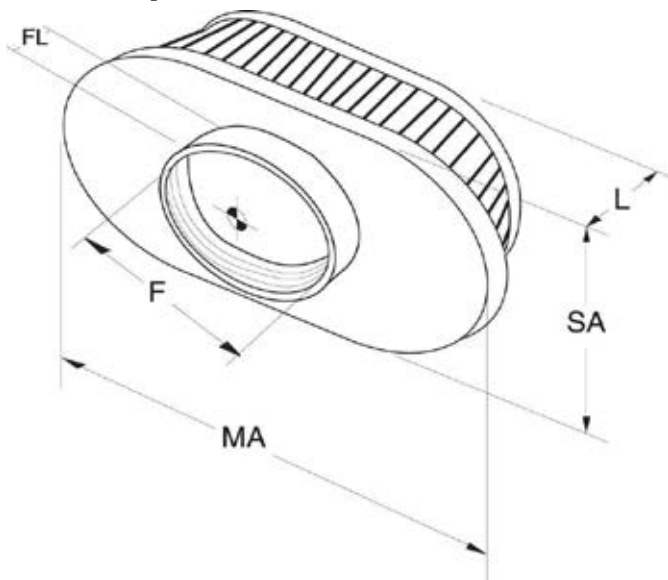
PART NUMBER
RU-1500



PART NUMBER
RU-1390

1) 1/4-20 Jack Nut Into Top 2) Base Has (2) 7/8" Vents 3) Base Has 1/2" Vent 4) Base Has 1/32" Vent 5) Base Has 1/4" Vent 6) Base Has 11/16" Vent 7) Base Has 1-1/8" Vent 8) Base Has 13/16" Vent 9) Base Has 13/32" Vent 10) Base Has 13/64" Vent 11) Base Has 2-3/16" Square Inlet 12) Base Has 15/64" Vent 13) Base Has 19/32" Vent 14) Base Has 21/32" Vent 15) Base Has 25/64" Vent 16) Base Has 29/32" Vent 17) Base Has 3/16" Vent 18) Base Has 3/4" Vent 19) Base Has 3/8" Vent 20) Base Has 31/64" Vent 21) Base Has 35/64" Vent 22) Base Has 45/64" Vent 23) Base Has 5/16" Vent 24) Base Has 5/8" Vent 25) Base Has 55/64" Vent 26) Base Has 7/16" Vent 27) Base Has 7/8" Vent 28) Base Has 9/16" Vent 29) Base Has Opt. 1/2" Vent 30) Base Has 23/32" Vent 31) Base Has 25/32" Vent 32) Filter Has Molded-in Velocity Stack 33) Filter Is Reverse Tapered 34) Fits Legend/Dwarf Race Cars w/FJ1200 Motors 35) Base Has 15/32" Vent 36) Top Plate Has 1/4-20 Stud 37) Top-Plate Has 6MM Stud 39) Offset Is Vertical 41) Offset Is Vertical And To The Right 42) Top Has 1/2" Vent 43) Top Has 1-1/16" Center Hole 44) Top Has 21/32" Center Hole 45) Top Has 23/32" Center Hole 46) Top Has 5/32" Center Hole 47) Top Has 7/16" Center Hole 48) Base Has 11/32" Vent 49) Top Has 1/4" Center Hole 50) Top Has 1-7/16" Center Hole 51) 2-1/2" Adapter Included 52) Top Has 5/8" Vent 53) Tapered Insert Included 5" to 4-3/8" 54) Filter has Thru Hole 2-3/4" x 1-5/8"

Oval Tapered



When selecting one of K&N's universal oval air filters, you should consider the following dimensions as they relate to the specification chart:

(F) Mounting Flange Inside Diameter - This is the most critical dimension and should be very close to the diameter of the application's inlet flange. The flange will stretch up to 1/16" for those in-between sizes.

(MA / SA) Filter Oval Dimensions - This is the length and width of the filter. Always use the largest filter practical to fit the application.

(L) Filter Length - This dimension is the length of the filter body only, it does not include the flange length. Always use the longest filter practical for maximum filtration.

(FA / FL) Flange Angle and/or Length - If no angle is listed in the specifications table, then the flange is straight. Any angle listed is in degrees and can be utilized when space is a problem.

(FO) Flange Offset - In some cases the center of the flange is offset from the center of the filter base in order to provide a better fit.

(F) Mounting Flange Inside Diameter	(MA/SA) Filter Base Dimensions		(MA/SA) Filter Top Dimensions		(L) Filter Length		(FL) Flange Length		(FA) Flange Style	(FO) Flange Offset		Rubber End Cap Part #	Chrome End Cap Part #	Custom End Cap Part #	Filter Wraps Part #	
	Inch	mm	Inch	mm	Inch	mm	Inch	mm	Type	Inch	mm					
1-3/4	44	2-7/8x4	73x102	2x3	51x76	2-3/4	70	5/8	16	Offset	1/2	13				RC-1820DK
		3x4	76x102	2-1/2x3-1/2	64x89	2-3/4	70	5/8	16	Offset	1/2	13	RU-2450 ⁷			RU-0981DK
2	51	3x4	76x102	2x3	51x76	2-3/4	70	5/8	16	Offset	1/2	13				RC-1820DK
		3x4	76x102	2x3	51x76	5	127	5/8	16	Offset	1/2	13				RC-2770 ⁷
		3x4	76x102	2-1/2x3-1/2	64x89	2-3/4	70	5/8	16	Offset	1/2	13	RU-1820 ⁷			RU-0981DK
2-1/8	54	2-7/8x4	73x102	2-1/2x3-1/2	64x89	4	102	5/8	16	Offset	7/16	11	RU-2980 ⁷			
		3x4	76x102	2x3	51x76	2-3/4	70	5/8	16	Offset	7/16	11				RC-0981
		3x4	76x102	2x3	51x76	4	102	5/8	16	Offset	7/16	11				RC-2900 ⁷
		3x4	76x102	2-1/2x3-1/2	64x89	2-3/4	70	5/8	16	Offset	7/16	11	RU-3010 ⁹			RU-0981DK
		3x4	76x102	2-1/2x3-1/2	64x89	4	102	5/8	16	Offset	7/16	11	RU-2810 ⁷			
		3x4	76x102	2-1/2x3-1/2	64x89	5	127	5/8	16	Offset	7/16	11	RU-2750 ⁷			
2-3/8	60	3-1/2x4-7/8	89x124	2x3	51x76	5-1/2	140	7/8	22	Centered						RC-70040
		4-1/2x5-3/16	114x132	3-5/16x3-1/2	84x89	4-13/32	112	3/4	19	Offset	5/8	16				RC-70032 ⁴
2-7/16	62	3-3/4x4-1/2	95x114	2x3	51x76	4	102									RE-0961
		3-3/4x4-1/2	95x114	2x3	51x76	6	152	5/8	16	Centered						RC-3680
		3-3/4x4-1/2	95x114	2-1/2x3-1/2	64x89	2-3/4	70	5/8	16	Centered			RU-2780 ⁷			RU-2780DK
		3-3/4x4-1/2	95x114	2-1/2x3-1/2	64x89	3-1/2	89	5/8	16	Centered			RU-3780			
		3-3/4x4-1/2	95x114	2-1/2x3-1/2	64x89	5	127	1-1/4	32	Angled 20°			SN-2540			SN-2540PK
		3-3/4x4-1/2	95x114	2-1/2x3-1/2	64x89	6	152	1-1/4	32	Angled 20°			SN-2550			SN-2550PK
		3-3/4x4-1/2	95x114	2-1/2x3-1/2	64x89	6	152	5/8	16	Centered					RE-0960	
2-1/2	64	4-7/32x4-17/32	107x115	3-5/16x4-7/16	84x113	5-1/2	140	2-7/16	62	Angled 9°						RC-70050
		2-3/4	70	3-3/4x4-3/4	95x121	4x4	102x102	5-9/16	141	13/16	21	Centered				
3	76	6x8	152x203	5x5	127x127	6-1/2	165	1-7/8	48	Centered						RX-4750 ¹
3-1/2	89	5-1/4x8-1/2	133x216	4x6-1/4	102x159	5-1/2	140	3/4	19	Centered						RC-5040
		5-3/4x5-3/4	146x146	3-1/4x4-1/2	83x114	6	152	1-3/4	44	Angled 10°						RC-4400

1) 1/4-20 Jack Nut Into Top 2) Base Has (2) 7/8" Vents 3) Base Has 1/2" Vent 4) Base Has 1/32" Vent 5) Base Has 1/4" Vent 6) Base Has 11/16" Vent 7) Base Has 1-1/8" Vent 8) Base Has 13/16" Vent 9) Base Has 13/32" Vent 10) Base Has 13/64" Vent 11) Base Has 2-3/16" Square Inlet 12) Base Has 15/64" Vent 13) Base Has 19/32" Vent 14) Base Has 21/32" Vent 15) Base Has 25/64" Vent 16) Base Has 29/32" Vent 17) Base Has 3/16" Vent 18) Base Has 3/4" Vent 19) Base Has 3/8" Vent 20) Base Has 31/64" Vent 21) Base Has 35/64" Vent 22) Base Has 45/64" Vent 23) Base Has 5/16" Vent 24) Base Has 5/8" Vent 25) Base Has 55/64" Vent 26) Base Has 7/16" Vent 27) Base Has 7/8" Vent 28) Base Has 9/16" Vent 29) Base Has Opt. 1/2" Vent 30) Base Has 23/32" Vent 31) Base Has 25/32" Vent 32) Filter Has Molded-in Velocity Stack 33) Filter Is Reverse Tapered 34) Fits Legend/Dwarf Race Cars w/FJ1200 Motors 35) Base Has 15/32" Vent 36) Top Plate Has 1/4-20 Stud 37) Top Plate Has 6MM Stud 39) Offset Is Vertical 41) Offset Is Vertical And To The Right 42) Top Has 1/2" Vent 43) Top Has 1-1/16" Center Hole 44) Top Has 21/32" Center Hole 45) Top Has 23/32" Center Hole 46) Top Has 5/32" Center Hole 47) Top Has 7/16" Center Hole 48) Base Has 11/32" Vent 49) Top Has 1/4" Center Hole 50) Top Has 1-7/16" Center Hole 51) 2-1/2" Adapter Included 52) Top Has 5/8" Vent 53) Tapered Insert Included 5" to 4-3/8" 54) Filter Has Thru Hole 2-3/4" x 1-5/8"

Oval Tapered

(F) Mounting Flange Inside Diameter		(MA/SA) Filter Base Dimensions		(MA/SA) Filter Top Dimensions		(L) Filter Length		(FL) Flange Length		(FA) Flange Style		(FO) Flange Offset		Rubber End Cap Part #	Chrome End Cap Part #	Custom End Cap Part #	Filter Wraps Part #
Inch	mm	Inch	mm	Inch	mm	Inch	mm	Inch	mm	Type	Angle	Inch	mm				
3-1/2	89	5-3/4x5-3/4	146x146	3-1/4x4-1/2	83x114	7	178	1-3/4	44	Angled	10°					RF-1033	
		6x6	152x152	3-3/4x4-1/2	95x114	5	127	1-3/4	44	Centered			RU-4190				
3-11/16	94	5-1/2x8-3/4	140x222	3-3/16x6-3/8	81x162	7	178	2-1/8	54	Centered						RP-5285	
3-9/17	199	5-3/8x7-1/2	137x191	3-5/16x4-7/16	84x113	6-1/2	165	1-3/8	35	Centered						RC-5152	
3-29/32	99	5-1/2x7-1/2	140x191	3-5/16x4-1/2	84x114	6-1/2	165	1-1/2	38	Centered						RC-5132	
3-15/16	100	5-1/4x6-15/16	133x176	3-1/4x4-1/2	83x114	4-15/16	125	1-15/32	37	Centered				RC-1681 ²⁶			
		5-5/16x6-7/8	135x175	3-1/4x4-1/2	83x114	5	127	1-1/2	38	Centered				RC-70031			RC-70031Df
		5-5/16x6-11/16	135x170	3-1/4x4-1/2	83x114	5	127	1-15/32	37	Centered				RC-1605 ⁵			
		5-5/16x7-1/8	135x181	3-1/4x4-1/2	83x114	5	127	1-7/16	37	Centered				RC-5129 ³			
		5-5/16x7-1/8	135x181	3-1/2x3-1/2	89x89	5	127	1-15/16	49	Centered				RC-5056 ^{37,3}			
		5-3/8x7-1/2	137x191	3-5/16x4-7/16	84x113	4-3/4	121	1-7/16	37	Centered				RC-1680 ^{5,18}			
		5-7/16x7-7/16	138x189	3-1/4x4-7/16	83x113	4-13/16	122	1-7/16	37	Centered				RC-70002 ²⁴			
		5-7/16x7-7/16	138x189	3-1/4x4-7/16	83x113	6-3/4	171	1-7/16	37	Centered				RC-1677 ^{18,3}			
		5-7/16x7-7/16	138x189	4-1/2x4-1/2	114x114	6-13/16	173	1-7/16	37	Centered				RC-70030 ³			
		5-7/16x7-7/16	138x189	4-1/2x4-1/2	114x114	6-7/8	175	1-7/16	37	Centered				RC-5055 ¹⁹			
4	102	5-3/8x7-1/2	137x191	3-5/16x4-1/2	84x114	8-1/16	205	1-3/8	35	Centered						RC-5126	
		5-3/4x9	146x229	4-1/2x7	114x178	4	102	1-1/2	38	Centered						RC-5148	
		5-3/4x9	146x229	4-1/2x7	114x178	7-1/2	191	1-1/2	38	Centered						RF-1040	RF-1034DK
		5-3/4x9	146x229	4-1/2x7	114x178	7-1/2	191	5/8	16	Centered						RF-1034	RF-1034DK
		6-3/4x9-1/2	171x241	5-1/2x9	140x229	8-15/16	227	1-7/8	48	Offset			1-1/2	38			RC-5102 ^{2,29}
4-1/2	114	5-7/8x5-7/8	149x149	3-1/4x4-1/2	83x114	8	203	5/8	16	Centered						RF-1021	
		6-1/4x9-1/4	159x235	4-1/2x7	114x178	10	254	5/8	16	Centered						RF-1024 ³	RF-1024DK
6	152	6-1/4x8-1/4	159x210	4x6-1/4	102x159	5	127	1	25	Centered						RC-3160	
		6-1/4x8-1/4	159x210	4-1/2x7	114x178	3-1/4	83	1	25	Centered						RF-1002	

PART NUMBER
RC-5132

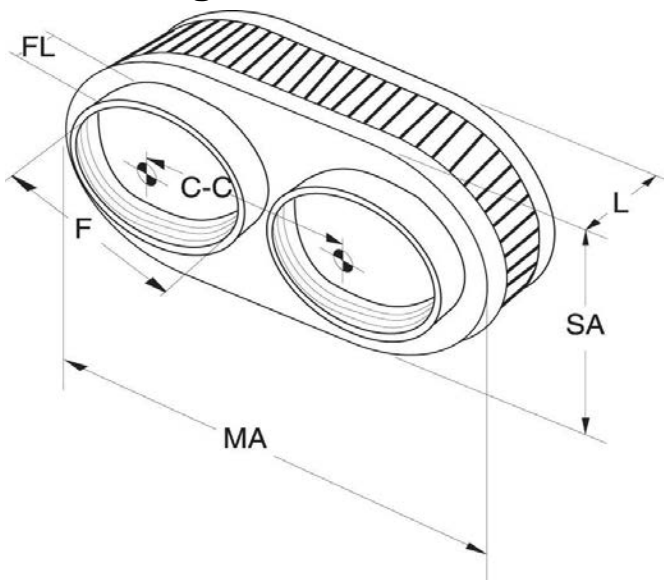


PART NUMBER
RE-0960



1) 1/4-20 Jack Nut Into Top 2) Base Has (2) 7/8" Vents 3) Base Has 1/2" Vent 4) Base Has 1/32" Vent 5) Base Has 1/4" Vent 6) Base Has 11/16" Vent 7) Base Has 1-1/8" Vent 8) Base Has 13/16" Vent 9) Base Has 13/32" Vent 10) Base Has 13/64" Vent 11) Base Has 2-3/16" Square Inlet 12) Base Has 15/64" Vent 13) Base Has 19/32" Vent 14) Base Has 21/32" Vent 15) Base Has 25/64" Vent 16) Base Has 29/32" Vent 17) Base Has 3/16" Vent 18) Base Has 3/4" Vent 19) Base Has 3/8" Vent 20) Base Has 31/64" Vent 21) Base Has 35/64" Vent 22) Base Has 45/64" Vent 23) Base Has 5/16" Vent 24) Base Has 5/8" Vent 25) Base Has 55/64" Vent 26) Base Has 7/16" Vent 27) Base Has 7/8" Vent 28) Base Has 9/16" Vent 29) Base Has Opt. 1/2" Vent 30) Base Has 23/32" Vent 31) Base Has 25/32" Vent 32) Filter Has Molded-in Velocity Stack 33) Filter Is Reverse Tapered 34) Fits Legend/Dwarf Race Cars w/FJ1200 Motors 35) Base Has 15/32" Vent 36) Top Plate Has 1/4-20 Stud 37) Top-Plate Has 6MM Stud 39) Offset Is Vertical 41) Offset Is Vertical And To The Right 42) Top Has 1/2" Vent 43) Top Has 1-1/16" Center Hole 44) Top Has 21/32" Center Hole 45) Top Has 23/32" Center Hole 46) Top Has 5/32" Center Hole 47) Top Has 7/16" Center Hole 48) Base Has 11/32" Vent 49) Top Has 1/4" Center Hole 50) Top Has 1-7/16" Center Hole 51) 2-1/2" Adapter Included 52) Top Has 5/8" Vent 53) Tapered Insert Included 5" to 4-3/8" 54) Filter Has Thru Hole 2-3/4" x 1-5/8"

Dual Flange Oval



When selecting one of K&N's universal dual flange air filters, you should consider the following dimensions as they relate to the specification chart:

(F) Mounting Flange Inside Diameter - This is the most critical dimension and should be very close to the diameter of the application's inlet flange. The flange will stretch up to 1/16" for those in-between sizes.

(MA / SA) Filter Oval Dimensions - This is the length and width of the filter. Always use the largest filter practical to fit the application.

(L) Filter Length - This dimension is the length of the filter body only, it does not include the flange length. Always use the longest filter practical for maximum filtration.

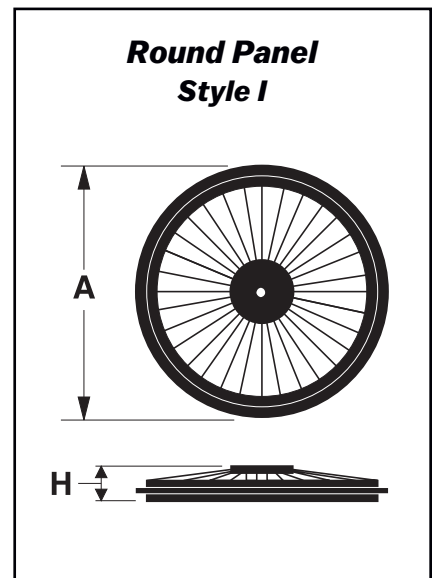
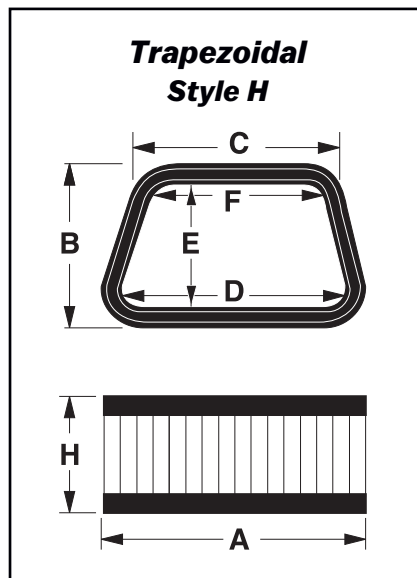
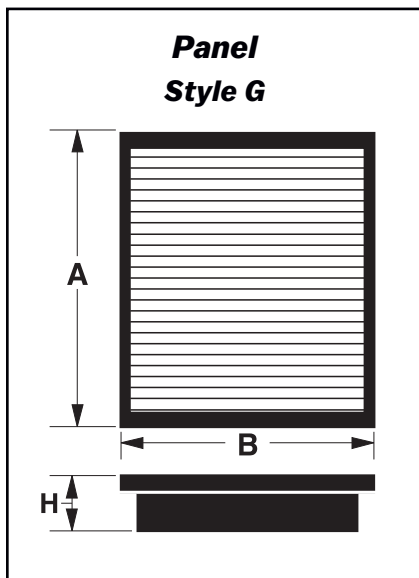
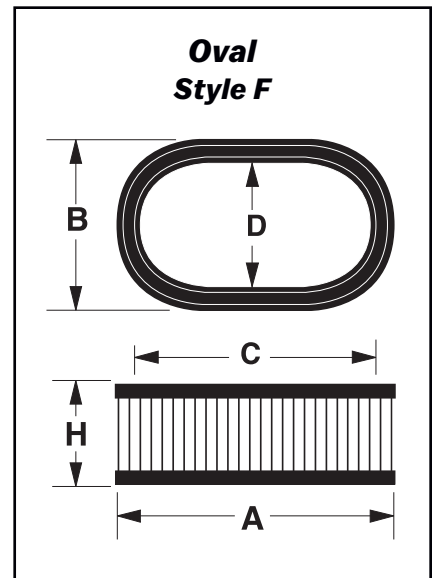
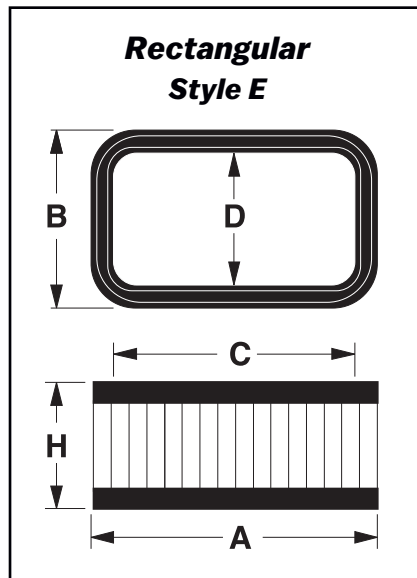
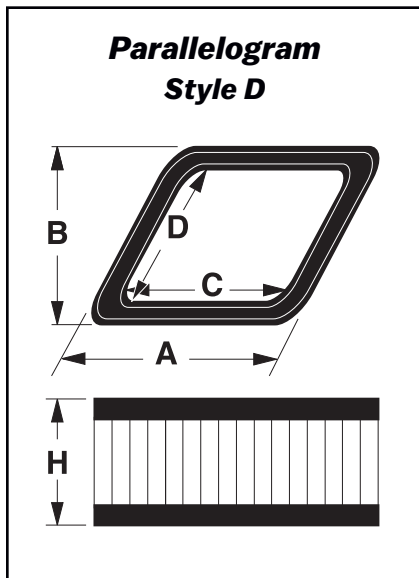
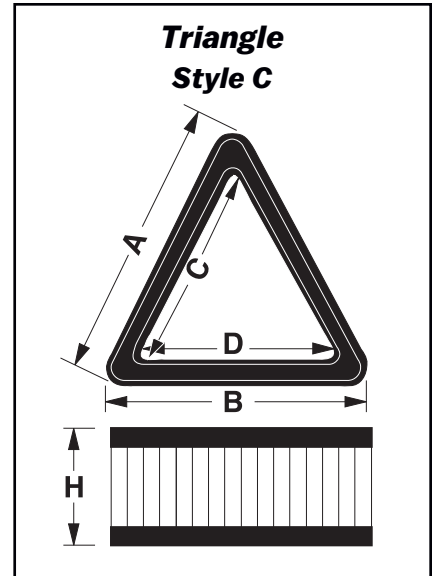
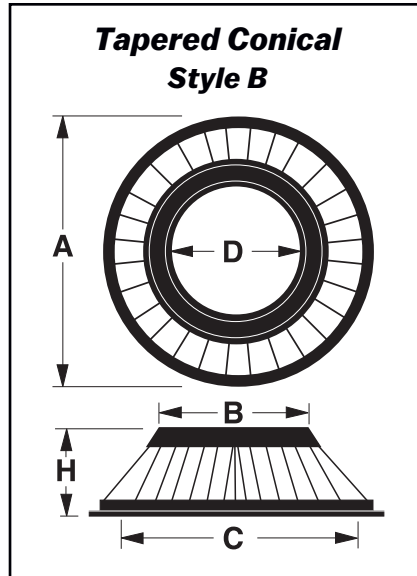
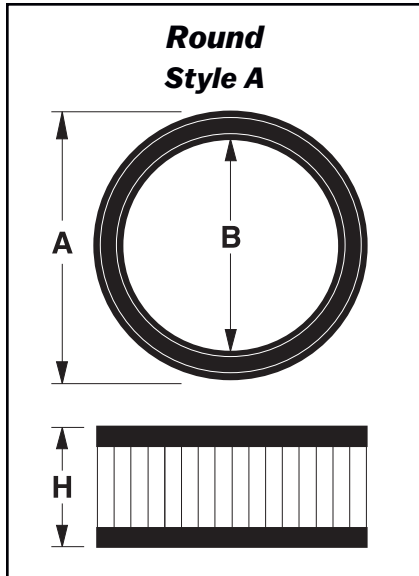
(FA / FL) Flange Angle and/or Length - If no angle is listed in the specifications table, then the flange is straight. Any angle listed is in degrees and can be utilized when space is a problem.

(FO) Flange Offset - In some cases the center of the flange is offset from the center of the filter base in order to provide a better fit.

(C-C) Flange Center to Center - For dual flange filters, this is the flange spacing. This dimension should be within 2mm for proper fit on the application.

(F) Mounting Flange Inside Diameter		(MA/SA) Filter Base Dimensions		(MA/SA) Filter Top Dimensions		(L) Filter Length		(FL) Flange Length		(FA) Flange Style	(FO) Flange Offset	(C-C) Flange Ctr to Ctr		Rubber End Cap Part #	Chrome End Cap Part #	Filter Wraps Part #
Inch	mm	Inch	mm	Inch	mm	Inch	mm	Inch	mm	Type	Angle	Inch	mm	Inch	mm	
1-9/16	40	4-1/2x7	114x178	4-1/2x7	114x178	2	51	5/8	16	Offset		1-1/8	29	3	76	RC-2240
1-7/8	48	3-7/8x6-1/8	98x156	3-7/8x6-1/8	98x156	3	76	5/8	16	Offset		3/8	10	2-5/8	67	R-0990 ¹⁰
2	51	4x6-1/4	102x159	4x6-1/4	102x159	2	51	5/8	16	Offset		1/4	6	2-5/8	67	RC-2370
		4x6-1/4	102x159	4x6-1/4	102x159	3-1/4	83	5/8	16	Offset		1/4	6	2-5/8	67	RC-4350
2-1/16	52	3-3/4x8-1/2	95x216	3-3/4x8-1/2	95x216	1-3/4	44	5/8	16	Centered				5	127	RC-3240
		3-3/4x8-1/2	95x216	3-3/4x8-1/2	95x216	2-3/8	60	5/8	16	Centered				3-3/4	95	RC-2820
		3-3/4x8-1/2	95x216	3-3/4x8-1/2	95x216	2-3/8	60	5/8	16	Centered				5	127	RC-2720
		3-3/4x6-1/4	95x159	3-3/4x6-1/4	95x159	3	76	5/8	16	Centered				3-1/16	78	R-2300
2-1/8	54	4x6	102x152	3-3/4x4-1/2	95x114	4	102	5/8	16	Centered				2-15/16	75	RU-2850
		4x6-1/4	102x159	4x6-1/4	102x159	1-3/4	44	5/8	16	Centered				2-15/16	75	RC-2380
		4x6-1/4	102x159	4x6-1/4	102x159	2	51	3/4	19	Centered				2-5/8	67	RC-2360
		4x6-1/4	102x159	4x6-1/4	102x159	3	76	3/8	10	Centered				3-1/8	79	RC-3510 ³²
2-3/8	60	3-5/8x7-3/8	92x187	3-5/8x7-3/8	92x187	3	76	5/8	16	Centered				4-3/16	106	RU-2970
		3-3/4x6-1/4	95x159	3-7/16x4-7/16	87x113	6-3/4	171	3/8	10	Centered				3	76	RU-4710
		3-3/4x6-1/4	95x159	3-3/4x6-1/4	95x159	3	76	3/8	10	Centered				3	76	RU-2920
		3-3/4x6-1/4	95x159	4-7/16x3-7/16	113x87	5	127	3/8	10	Centered				3	76	RU-4720
2-3/4	70	5-1/2x9	140x229	5-1/2x9	140x229	2	51	3/4	19	Centered				4-1/16	103	RC-2830
		5-1/2x9	140x229	5-1/2x9	140x229	2-1/2	64	3/4	19	Centered				4-1/16	103	RC-2840

1) 1/4-20 Jack Nut Into Top 2) Base Has (2) 7/8" Vents 3) Base Has 1/2" Vent 4) Base Has 1/32" Vent 5) Base Has 1/4" Vent 6) Base Has 11/16" Vent 7) Base Has 1-1/8" Vent 8) Base Has 13/16" Vent 9) Base Has 13/32" Vent 10) Base Has 13/64" Vent 11) Base Has 2-3/16" Square Inlet 12) Base Has 15/64" Vent 13) Base Has 19/32" Vent 14) Base Has 21/32" Vent 15) Base Has 25/64" Vent 16) Base Has 29/32" Vent 17) Base Has 3/16" Vent 18) Base Has 3/4" Vent 19) Base Has 3/8" Vent 20) Base Has 31/64" Vent 21) Base Has 35/64" Vent 22) Base Has 45/64" Vent 23) Base Has 5/16" Vent 24) Base Has 5/8" Vent 25) Base Has 55/64" Vent 26) Base Has 7/16" Vent 27) Base Has 7/8" Vent 28) Base Has 9/16" Vent 29) Base Has Opt. 1/2" Vent 30) Base Has 23/32" Vent 31) Base Has 25/32" Vent 32) Filter Has Molded-in Velocity Stack 33) Filter Is Reverse Tapered 34) Fits Legend/Dwarf Race Cars w/J1200 Motors 35) Base Has 15/32" Vent 36) Top Plate Has 1/4-20 Stud 37) Top Plate Has 6MM Stud 38) Offset Is Vertical 41) Offset Is Vertical And To The Right 42) Top Has 1/2" Vent 43) Top Has 1-1/16" Center Hole 44) Top Has 21/32" Center Hole 45) Top Has 23/32" Center Hole 46) Top Has 5/32" Center Hole 47) Top Has 7/16" Center Hole 48) Base Has 11/32" Vent 49) Top Has 1/4" Center Hole 50) Top Has 1-7/16" Center Hole 51) 2-1/2" Adapter Included 52) Top Has 5/8" Vent 53) Tapered Insert Included 5" to 4-3/8" 54) Filter Has Thru Hole 2-3/4" x 1-5/8"



Filter Dimensions by Size

Part #	Style	A	B	C	D	E	F	H	Part #	Style	A	B	C	D	E	F	H
Round Filters									Round Filters								
E-3003	A	1.250	0.250					1.063	PL-1004 ³	A	4.000	2.500					4.250
E-3009	A	2.000	1.063					1.063	PL-1710 ³	A	4.000	2.500					4.188
E-4110	A	2.750	1.375					2.625	YA-2598 ³	A	4.000	1.875					3.750
E-4142	A	2.750	1.438					2.813	YA-4085	A	4.000	2.063					4.125
E-9234 ³	A	2.813	1.250					2.688	YA-7086	A	4.000	2.063					5.875
38-9175 ³	A	2.835	2.835					7.756	DU-0202	A	4.125	2.875					2.438
E-2010	A	3.000	1.750					2.500	E-4961 ³	A	4.125	2.625					10.750
E-4188 ³	A	3.000	2.000					1.438	E-9245	A	4.125	2.750					5.945
E-4189 ³	A	3.000	2.000					1.813	HA-0301 ¹	A	4.125	1.750					3.625
E-4210	A	3.000	2.125					3.125	YA-2588 ³	A	4.125	2.750					2.250
HA-1088 ³	A	3.000	1.688					3.000	E-4450	A	4.188	2.875					4.875
HD-2492	A	3.000	2.000					5.000	HA-6089 ³	A	4.188	2.875					3.875
KA-5090 ³	A	3.000	2.000					3.438	KA-6085 ³	A	4.188	2.875					1.625
MG-0200	A	3.000	2.188					7.750	PL-5008 ³	A	4.188	2.500					10.750
E-4284	A	3.250	2.250					2.000	SU-8087 ³	A	4.188	2.125					3.000
E-4510	A	3.250	1.625					7.063	AL-6502	A	4.250	3.000					3.125
YA-2597 ³	A	3.313	1.875					5.500	E-2876	A	4.250	2.875					9.313
E-4495 ³	A	3.375	1.938					7.250	E-4370	A	4.250	2.000					3.750
CG-0100	A	3.500	2.500					4.563	HA-0300	A	4.250	3.125					2.125
DU-1006	A	3.500	2.000					5.500	HA-0850 ³	A	4.250	3.000					5.313
DU-6908	A	3.500	2.000					5.500	KA-4010	A	4.250	3.000					4.375
E-2040	A	3.500	2.438					6.625	SU-1284 ³	A	4.250	2.938					5.094
E-3050	A	3.500	2.438					3.500	YA-6608 ³	A	4.250	2.813					4.000
E-4552 ³	A	3.500	1.875					7.125	BD-6502 ³	A	4.313	2.750					5.000
E-9257	A	3.500	2.000					5.500	E-2864	A	4.313	2.563					9.938
HA-0510 ³	A	3.500	2.062					5.000	E-9242	A	4.313	2.438					5.938
HA-4020 ³	A	3.500	2.250					5.188	KA-3603 ³	A	4.313	2.938					5.313
KA-1200	A	3.500	2.500					5.375	BM-0400	A	4.375	3.000					3.375
KA-6201 ³	A	3.500	1.813					7.188	BM-1298	A	4.375	3.000					3.188
KA-7583	A	3.500	2.438					4.813	E-2190	A	4.375	2.875					5.750
YA-0587 ³	A	3.500	2.375					3.250	E-2862	A	4.375	2.625					10.500
KA-0018 ¹	A	3.543	2.165					6.457	E-4400	A	4.375	3.000					2.313
BM-0100	A	3.563	2.438					2.813	E-4420	A	4.375	3.000					3.313
E-4527 ³	A	3.563	2.375					4.250	E-4430	A	4.375	3.000					4.875
HA-3010	A	3.563	2.125					5.313	E-9238	A	4.375	3.000					7.000
E-2401	A	3.625	2.375					7.875	YA-6092	A	4.375	2.563					4.688
E-4513 ³	A	3.625	1.625					2.875	E-2230	A	4.438	3.000					3.688
HA-2501 ³	A	3.625	1.438					4.125	E-4490	A	4.438	3.000					7.000
KA-0750	A	3.625	2.375					7.438	E-4517 ¹	A	4.438	2.500					3.625
KA-7500	A	3.625	2.375					6.813	E-9000	A	4.438	3.063					9.438
KA-7580	A	3.625	2.375					4.625	E-9104	A	4.438	2.625					6.750
YA-4350 ³	A	3.625	2.625					9.000	E-9256	A	4.438	2.625					8.625
YA-1308 ³	A	3.688	2.094					5.875	KA-1408	A	4.438	3.188					3.563
HA-5094 ³	A	3.750	2.500					5.313	E-0770	A	4.500	3.063					5.625
SU-7503	A	3.750	2.750					4.500	E-2240	A	4.500	3.313					4.813
E-9025	A	3.781	2.844					2.781	E-2658	A	4.500	2.688					9.875
E-3120	A	3.875	2.875					2.000	E-9060	A	4.500	2.750					11.313
E-3130	A	3.875	2.875					3.250	HA-1000 ³	A	4.500	2.250					2.250
E-9260	A	3.875	2.125					11.875	HA-4400 ³	A	4.500	3.125					4.500
HA-1326	A	3.875	2.500					4.125	HA-5083 ³	A	4.500	2.750					3.750
HA-2090 ³	A	3.875	1.688					4.313	KA-2288 ³	A	4.500	2.000					3.563
HA-2597 ³	A	3.875	1.500					4.000	KA-4093 ³	A	4.500	2.813					3.875
HA-3098 ³	A	3.875	1.875					4.250	PL-1001	A	4.500	3.250					4.375
HA-5100 ³	A	3.875	2.375					4.438	YA-6089	A	4.500	2.500					4.125
YA-3504 ³	A	3.875	2.500					5.875	YA-7585	A	4.500	2.500					4.875
YA-4001 ³	A	3.938	1.938					5.875	E-9123	A	4.625	2.750					16.031
E-4310	A	4.000	2.375					2.750	E-9131	A	4.625	3.375					9.563
E-4550 ²	A	4.000	2.750					3.188	RO-5010	A	4.687	3.687					3.125
HA-2410 ³	A	4.000	2.875					5.250	HA-5000 ³	A	4.750	3.125					4.625
HA-4435 ³	A	4.000	2.625					6.000	TB-0100	A	4.750	3.250					1.625
HA-9002 ³	A	4.000	2.750					5.375	BM-0200	A	4.813	3.125					4.500
KA-1199	A	4.000	2.875					4.688	E-9001	A	4.813	2.125					1.750
KA-1203 ³	A	4.000	3.000					2.000	CM-9715 ³	A	4.844	5.125					12.250
PL-1003 ³	A	4.000	2.500					7.000	E-1007 ³	A	4.875	3.313					5.938

1) Inner Support Wire 2) Outer Support Wire 3) Closed Top

Filter Dimensions by Size

Part #	Style	A	B	C	D	E	F	H	Part #	Style	A	B	C	D	E	F	H
Round Filters									Round Filters								
HA-0001	A	4.875	3.625					3.188	E-1992	A	5.438	3.438					6.063
38-9103 ^{1,3}	A	4.921	2.559					11.220	E-9244 ³	A	5.438	3.600					9.500
E-0771	A	4.938	3.125					6.813	DU-0100	A	5.500	3.625					2.875
E-2244	A	4.938	3.500					8.625	E-2210 ³	A	5.500	2.750					6.500
E-2429	A	4.938	3.188					6.750	E-2455	A	5.500	3.750					5.438
E-9099	A	4.938	3.500					12.125	E-9268 ³	A	5.500	3.750					9.875
AL-1001 ³	A	5.000	3.750					4.312	KA-1100	A	5.500	4.375					3.000
E-0850	A	5.000	3.750					4.938	PL-1014 ³	A	5.563	3.000					11.125
E-0870	A	5.000	3.750					5.250	E-0655	A	5.625	3.000					6.063
E-2231 ³	A	5.000	3.625					9.000	E-0661 ³	A	5.625	3.063					6.750
E-2290 ³	A	5.000	2.750					3.875	E-0890	A	5.625	3.625					5.938
E-2291 ³	A	5.000	2.750					3.875	E-0930	A	5.625	3.625					3.938
E-2300 ¹	A	5.000	3.625					7.500	E-2220	A	5.625	3.000					4.938
E-3140	A	5.000	3.750					3.563	E-2222	A	5.625	3.000					4.000
E-4962 ³	A	5.000	3.375					12.375	E-2447	A	5.625	3.875					7.250
E-9183	A	5.000	3.625					6.438	E-2997 ³	A	5.625	3.000					5.063
HA-2420 ³	A	5.000	3.000					3.500	E-3220	A	5.625	4.500					2.000
HA-3084 ³	A	5.000	3.500					3.813	E-3221	A	5.625	4.625					2.000
HA-4350	A	5.000	3.000					5.000	E-3223	A	5.625	4.625					2.000
KA-1780	A	5.000	3.500					2.188	E-3230	A	5.625	4.500					4.375
KA-4508 ³	A	5.000	3.438					7.375	KA-1596 ³	A	5.625	4.500					2.000
PL-8715 ³	A	5.000	2.500					11.063	YA-0086	A	5.625	4.500					4.188
SU-4250	A	5.000	3.625					3.563	YA-8502 ³	A	5.625	3.875					3.000
AL-1098 ³	A	5.063	3.875					4.750	E-9228	A	5.709	4.094					9.250
E-2310	A	5.063	3.250					6.688	38-9203	A	5.748	3.425					10.906
E-2400	A	5.063	3.625					3.688	E-0775	A	5.750	4.000					7.250
E-2984 ²	A	5.063	2.563					11.375	E-2020	A	5.750	0					9.063
E-2021 ³	A	5.125	3.156					4.500	E-2416 ^{1,3}	A	5.750	4.000					10.000
E-2402 ¹	A	5.125	3.625					12.188	E-2995 ³	A	5.750	3.750					10.188
E-2590 ^{1,3}	A	5.125	3.000					11.313	E-9240	A	5.750	4.000					8.500
E-9002	A	5.125	3.750					4.938	E-2986 ³	A	5.813	3.438					8.125
E-9053	A	5.125	3.750					9.938	E-2991 ³	A	5.813	3.438					8.625
E-9139	A	5.125	3.750					7.063	E-9282 ³	A	5.827	3.071					6.614
E-9235	A	5.125	3.750					10.375	E-2410	A	5.875	4.375					3.000
38-9051 ^{1,3}	A	5.236	2.834					8.425	E-2415	A	5.875	3.250					6.125
38-9102	A	5.236	2.835					11.063	E-2417	A	5.875	3.250					7.625
E-0777 ³	A	5.250	3.313					7.125	E-3180	A	5.875	4.500					1.750
E-1008 ¹	A	5.250	3.375					13.125	E-3190	A	5.875	4.500					3.250
E-2012 ³	A	5.250	3.625					10.000	E-3210	A	5.875	4.500					3.500
E-4800 ^{1,3}	A	5.250	2.563					11.375	E-3211	A	5.875	4.875					1.750
E-4810	A	5.250	2.625					11.313	E-3212	A	5.875	4.875					1.813
HD-0300	A	5.250	4.000					2.000	E-3213	A	5.875	4.875					2.063
E-9231-1	A	5.281	3.375					11.313	E-3214	A	5.875	4.875					6.125
E-1986	A	5.313	3.313					13.250	E-3218	A	5.875	4.875					3.250
E-2345	A	5.313	3.500					6.375	E-3956 ³	A	5.875	3.250					6.000
E-2350	A	5.313	3.500					6.500	E-4530	A	5.875	3.250					3.125
E-2380	A	5.313	3.500					8.750	E-9029	A	5.875	4.500					5.875
E-3506	A	5.313	4.063					2.375	E-9143	A	5.875	4.875					2.125
E-0900	A	5.375	3.750					3.188	E-9144	A	5.875	4.875					2.500
E-2320	A	5.375	3.500					2.375	E-9145	A	5.875	4.875					3.219
E-2321	A	5.375	3.500					2.250	HA-1185	A	5.875	4.500					2.875
E-2330	A	5.375	3.500					2.563	E-1990 ³	A	5.938	3.125					9.938
E-2340	A	5.375	3.500					4.250	E-9140	A	5.969	4.000					3.844
E-2351	A	5.375	3.500					6.500	E-1983	A	6.000	3.625					7.375
E-2360	A	5.375	3.500					6.313	E-2420	A	6.000	4.250					3.875
E-2381	A	5.375	3.500					8.625	E-2430	A	6.000	4.250					3.250
E-2450	A	5.375	3.625					5.875	E-3002	A	6.000	4.250					5.750
E-2457	A	5.375	3.625					9.125	E-3224	A	6.000	4.625					2.063
E-3200	A	5.375	4.000					2.000	E-3225	A	6.000	4.625					2.188
E-3205	A	5.375	4.000					2.250	E-3226	A	6.000	4.625					2.500
E-9108	A	5.375	3.500					4.875	E-3971	A	6.000	4.625					2.750
E-9130	A	5.375	3.500					4.938	HD-0500	A	6.000	4.750					2.250
E-9134	A	5.375	3.500					7.000	HU-0600 ¹	A	6.000	4.000					2.125
E-9251	A	5.375	3.500					9.000	E-9283	A	6.031	3.469					11.969

1) Inner Support Wire 2) Outer Support Wire 3) Closed Top

Filter Dimensions by Size

Part #	Style	A	B	C	D	E	F	H	Part #	Style	A	B	C	D	E	F	H
Round Filters									Round Filters								
38-9017 ^{1,3}	A	6.063	3.425					11.969	E-2530	A	7.000	5.188					5.063
38-9070 ³	A	6.063	0					7.781	E-2540	A	7.000	5.188					2.188
E-1796 ^{1,3}	A	6.063	3.750					9.500	E-2550	A	7.000	5.188					3.125
E-2470	A	6.063	4.688					1.875	E-3360	A	7.000	5.188					2.000
E-2473	A	6.063	4.688					2.250	E-3380	A	7.000	5.188					3.000
E-2860 ^{1,3}	A	6.063	3.500					12.875	E-3390	A	7.000	5.188					3.750
E-3350	A	6.063	4.688					2.250	E-3400	A	7.000	5.188					4.000
E-4583	A	6.063	4.688					3.000	E-3402	A	7.000	5.500					2.000
E-4964	A	6.063	4.688					1.875	E-3403	A	7.000	5.500					3.000
E-9280 ³	A	6.063	3.438					9.750	E-4518	A	7.000	5.500					2.938
E-0664 ³	A	6.125	3.938					7.313	E-4521	A	7.000	5.500					2.500
E-2370	A	6.125	4.250					2.188	E-4522	A	7.000	5.500					1.750
E-2987 ³	A	6.125	3.125					4.813	E-4655	A	7.000	5.500					1.750
E-3330	A	6.125	5.125					2.063	E-4660	A	7.000	5.500					2.000
E-4710	A	6.188	4.438					7.563	E-4665	A	7.000	5.500					2.250
E-2993 ³	A	6.250	2.750					8.250	HD-0600 ³	A	7.000	5.000					1.938
E-3290	A	6.250	5.250					1.500	KA-8095	A	7.000	6.000					2.500
E-3300	A	6.250	5.250					2.750	E-2553	A	7.250	4.625					4.375
E-3310	A	6.250	5.250					3.000	E-4680 ¹	A	7.250	4.750					8.000
E-3320	A	6.250	5.250					1.750	E-4690	A	7.250	5.250					5.500
E-3322	A	6.250	5.250					2.500	AC-1012 ³	A	7.313	5.875					6.438
E-3323	A	6.250	5.250					2.750	AC-7014 ³	A	7.313	5.313					5.750
E-3340	A	6.250	5.250					3.250	E-2601	A	7.375	6.125					2.188
E-3344	A	6.250	5.250					4.000	E-2444 ^{1,3}	A	7.500	4.125					5.500
E-3346	A	6.250	5.250					6.000	E-2536	A	7.500	5.000					4.344
E-9267 ¹	A	6.250	3.625					5.688	E-2560	A	7.500	5.500					4.250
E-9187	A	6.313	3.625					9.313	E-2566	A	7.500	5.625					2.063
E-3237	A	6.375	5.000					1.500	E-3336	A	7.500	6.125					2.250
E-3240	A	6.375	5.000					1.750	E-9225	A	7.500	5.750					2.500
E-3243	A	6.375	5.000					2.063	HU-1200 ¹	A	7.563	6.250					2.875
E-3250	A	6.375	5.000					2.250	E-1000	A	7.750	6.375					3.000
E-3260	A	6.375	5.000					2.500	E-3410	A	7.750	6.750					2.063
E-3270	A	6.375	5.000					3.250	E-3440	A	7.750	6.250					1.750
E-3280	A	6.375	5.000					3.625	E-3450	A	7.750	6.250					2.500
E-3282	A	6.375	5.000					3.750	E-3460	A	7.750	6.375					3.250
E-3284	A	6.375	5.000					4.000	E-3470	A	7.750	6.375					4.500
E-9184	A	6.375	4.750					4.875	E-3480	A	7.750	6.375					5.500
E-9216	A	6.496	4.724					4.449	E-3490	A	7.750	6.250					6.000
E-2017 ¹	A	6.500	4.750					9.313	E-4425	A	7.750	6.375					2.188
E-2023	A	6.500	3.250					5.750	E-9050	A	7.750	6.750					2.500
E-2475	A	6.500	4.000					4.000	E-9052	A	7.750	6.750					3.250
E-4595 ¹	A	6.500	4.000					1.625	E-9054	A	7.750	6.750					1.750
E-4600 ¹	A	6.500	4.000					5.750	E-1015	A	8.000	6.750					2.438
E-4610 ¹	A	6.500	4.000					7.063	E-1023 ^{1,3}	A	8.000	4.500					9.250
E-4969 ^{1,3}	A	6.500	3.625					13.813	E-2015 ³	A	8.000	4.500					4.625
E-4974 ^{1,3}	A	6.500	4.938					12.125	E-2615 ^{1,3}	A	8.000	4.500					8.000
E-9011 ¹	A	6.500	4.000					9.125	E-2875 ³	A	8.000	5.000					6.000
E-9033 ¹	A	6.500	4.000					6.938	E-4720	A	8.000	5.500					2.125
E-9270	A	6.563	4.750					5.938	E-4730 ¹	A	8.000	6.000					8.000
E-2485	A	6.750	4.250					3.563	E-9181	A	8.000	6.125					1.750
E-2487	A	6.750	4.250					5.500	RF-1022 ³	A	8.000	5.000					6.000
E-2488	A	6.750	4.250					2.750	NO-0100	A	8.125	6.875					2.875
E-4640	A	6.750	5.000					2.250	E-2570	A	8.188	6.250					1.875
E-4650	A	6.750	5.000					6.625	E-2600	A	8.188	6.250					2.188
E-2443	A	6.813	4.313					5.813	E-0662 ³	A	8.250	5.250					4.250
E-2440	A	6.875	4.375					5.625	E-1025	A	8.250	6.875					2.500
E-9252	A	6.890	4.882					4.843	E-1040	A	8.313	6.313					3.250
E-2022 ³	A	6.906	6.811					5.331	E-9173	A	8.344	6.625					2.313
38-9221 ^{1,3}	A	7.000	3.622					5.000	E-3492	A	8.500	6.625					2.375
E-0990	A	7.000	5.188					4.625	E-1010	A	9.000	7.000					2.875
E-2490	A	7.000	5.188					2.375	E-1050	A	9.000	7.000					2.000
E-2500	A	7.000	5.188					2.563	E-1700 ^{1,3}	A	9.000	5.250					12.938
E-2510	A	7.000	5.188					2.750	E-2585	A	9.000	7.000					1.813
E-2520	A	7.000	5.188					3.188	E-2620	A	9.000	7.125					1.875

1) Inner Support Wire 2) Outer Support Wire 3) Closed Top

Filter Dimensions by Size

Part #	Style	A	B	C	D	E	F	H	Part #	Style	A	B	C	D	E	F	H
Round Filters									Round Filters								
E-2630	A	9.000	7.125					2.000	E-4790	A	10.000	7.375					2.750
E-2640	A	9.000	7.125					2.250	E-4820	A	10.000	7.375					5.500
E-2660	A	9.000	7.125					2.500	E-9031	A	10.000	7.375					3.688
E-2670	A	9.000	7.125					2.375	E-9080	A	10.000	8.000					2.750
E-2710	A	9.000	7.500					2.000	E-2650	A	10.125	8.375					3.438
E-2720	A	9.000	7.500					2.500	E-9103	A	10.236	8.268					2.087
E-3500	A	9.000	7.000					3.000	E-1030	A	10.375	8.500					2.250
E-3510	A	9.000	7.500					2.000	E-2770	A	10.500	8.500					1.750
E-3527	A	9.000	8.000					2.000	E-2780	A	10.500	8.500					2.000
E-3530	A	9.000	8.000					2.875	E-2790	A	10.500	8.500					2.188
E-3532	A	9.000	8.000					3.750	E-2800	A	10.500	8.500					3.250
E-3534	A	9.000	8.000					3.313	E-9113	A	10.563	8.750					2.375
E-3550 ¹	A	9.000	7.500					2.750	HA-1191	A	10.563	8.813					2.875
E-3551	A	9.000	8.000					3.500	E-9176	A	10.625	8.750					2.125
E-3600	A	9.000	7.000					3.500	E-1211	A	10.630	8.740					2.480
E-3640	A	9.000	7.500					4.000	E-1180	A	11.000	9.250					1.750
E-3650 ¹	A	9.000	7.500					5.000	E-1200	A	11.000	9.000					2.188
E-3657 ¹	A	9.000	7.500					7.000	E-1210	A	11.000	9.250					2.313
E-3659 ¹	A	9.000	7.500					9.000	E-1220	A	11.000	9.250					2.500
E-3660 ¹	A	9.000	7.500					10.000	E-1230	A	11.000	9.250					3.000
E-4780	A	9.000	7.000					6.625	E-1240	A	11.000	9.250					2.750
E-3620	A	9.125	7.875					2.000	E-1250	A	11.000	9.250					3.500
E-3630	A	9.125	7.875					3.500	E-1290	A	11.000	9.000					2.750
E-9092	A	9.125	7.375					1.938	E-1300	A	11.000	9.000					2.625
E-9135	A	9.188	7.313					2.438	E-1325	A	11.000	9.000					1.938
E-1100	A	9.250	7.500					2.750	E-1460	A	11.000	8.375					4.938
E-1110	A	9.250	7.500					2.625	E-1461	A	11.000	8.375					4.438
E-1112	A	9.250	7.500					2.375	E-2830	A	11.000	9.250					2.375
E-2700	A	9.250	7.250					2.750	E-2840	A	11.000	9.250					3.125
E-2723	A	9.250	6.750					3.125	E-3680	A	11.000	9.250					5.000
E-2725	A	9.250	6.750					3.375	E-3681 ¹	A	11.000	9.000					5.000
E-2750	A	9.250	7.500					1.938	E-3690	A	11.000	9.250					6.000
E-2755	A	9.250	7.500					2.438	E-3691 ¹	A	11.000	9.000					6.000
E-1115	A	9.313	7.500					2.500	E-3692	A	11.000	9.250					4.000
E-1117	A	9.313	7.500					1.688	E-3693 ¹	A	11.000	9.000					8.000
E-9122	A	9.500	7.677					1.969	E-4830	A	11.000	8.500					3.375
E-9101	A	9.528	7.677					1.772	E-1280	A	11.250	9.375					1.750
E-1065	A	9.625	8.375					2.813	E-1350	A	11.250	9.500					2.125
E-3670	A	9.625	8.375					3.250	E-1360	A	11.250	9.375					2.375
E-3674	A	9.625	8.375					6.000	E-2690	A	11.250	8.750					1.563
E-9193 ³	A	9.646	0.591					0.906	E-2850	A	11.250	9.500					1.875
E-2610	A	9.750	7.875					2.250	E-2870	A	11.250	8.875					4.250
E-2680	A	9.750	7.875					2.750	E-9190	A	11.299	8.661					4.094
E-2730	A	9.750	7.875					1.688	E-1320	A	11.375	8.875					5.563
E-2734	A	9.750	7.875					1.750	E-1991	A	11.375	9.375					3.125
E-2740	A	9.750	7.875					2.000	38-9119	A	11.406	2.638					11.417
E-2760	A	9.750	7.875					2.375	E-2820	A	11.500	9.500					2.000
E-2810	A	9.750	8.000					2.563	E-3695	A	11.500	9.500					2.375
E-2813	A	9.750	8.000					2.875	E-1420	A	11.875	9.813					5.500
E-3675	A	9.875	8.875					2.500	E-1447	A	11.875	9.813					2.125
E-1035	A	10.000	8.625					2.438	E-1450	A	11.875	9.813					2.500
E-1068	A	10.000	8.375					2.000	E-1500	A	11.875	9.813					3.438
E-1070	A	10.000	8.000					2.000	E-1520	A	11.875	9.813					3.000
E-1080	A	10.000	8.000					2.250	E-1410	A	12.000	9.813					3.125
E-1088	A	10.000	8.000					2.063	E-1430	A	12.375	10.875					2.938
E-1090	A	10.000	8.000					2.313	E-1440	A	12.500	10.000					5.500
E-1095	A	10.000	8.000					2.563	E-1510	A	12.500	10.750					2.625
E-1120	A	10.000	8.000					3.000	E-1515	A	12.500	10.750					2.000
E-1150	A	10.000	8.000					3.500	E-1530	A	12.500	11.000					2.750
E-1170	A	10.000	8.000					6.000	E-1535	A	12.500	11.000					2.875
E-2764	A	10.000	8.000					2.500	E-1540	A	12.500	11.000					3.500
E-2861	A	10.000	8.375					3.000	E-2855	A	12.500	10.000					2.000
E-3678	A	10.000	8.250					2.750	E-3021 ¹	A	12.500	11.000					2.125
E-3679	A	10.000	8.000					3.750	E-2865	A	13.000	11.125					2.313

1) Inner Support Wire 2) Outer Support Wire 3) Closed Top

Filter Dimensions by Size

Part #	Style	A	B	C	D	E	F	H	Part #	Style	A	B	C	D	E	F	H
Round Filters									Round Filters								
E-3036	A	13.000	11.125					6.000	E-3974	A	16.250	14.500					20.000
E-1590	A	13.125	11.625					2.563	E-3813 ¹	A	17.000	14.500					3.500
E-3698	A	13.125	11.438					2.750	E-3814 ¹	A	17.000	14.500					4.000
E-3699	A	13.125	11.438					4.000	E-3815 ¹	A	17.000	14.500					5.000
E-3705	A	13.125	11.625					3.250	E-3816 ¹	A	17.000	14.500					6.000
E-1550	A	13.250	11.250					1.875	E-1920 ¹	A	18.250	15.625					2.750
E-1560	A	13.250	11.250					2.188	E-3018	A	20.000	17.500					2.125
E-1570	A	13.250	11.500					2.875	E-3820 ¹	A	20.000	17.500					4.000
E-1577	A	13.250	11.500					2.750	E-3825 ¹	A	20.000	17.500					6.000
E-1580	A	13.250	11.250					2.500									
E-2872	A	13.250	11.500					3.125									
E-3700	A	13.250	11.250					4.000									
E-2859	A	13.500	11.750					1.500	SU-2588 ³	B	3.125	3.000	0	0			3.375
E-3710	A	13.500	11.750					2.000	E-4270 ³	B	3.250	2.875	2.250				4.000
E-3717	A	13.500	11.750					2.500	SU-1250 ³	B	3.500	3.000	2.250	0			5.625
E-3720	A	13.500	11.750					2.750	HA-6098	B	3.813	3.500	2.313				5.438
E-3723	A	13.500	11.750					3.000	HA-3500 ³	B	3.875	3.500	1.875				3.875
E-1690	A	13.750	11.750					4.031	HA-1004 ³	B	4.000	3.750	2.750				5.000
E-1695	A	13.750	11.750					5.500	HA-1004R ³	B	4.000	3.750	4.000				5.000
E-1650	A	14.000	12.000					3.063	HA-0700 ³	B	4.125	3.750	2.375				5.250
E-1651	A	14.000	12.000					3.063	HA-0783 ³	B	4.125	3.750	2.375				6.125
E-3027R	A	14.000	12.250					3.000	KA-1700	B	4.438	5.000	2.500	2.500			3.000
E-3028R	A	14.000	12.250					3.250	RK-3800 ³	B	4.500	5.500	5.625				2.000
E-3029R	A	14.000	12.250					3.500	RK-380E ³	B	4.500	5.500	2.625				2.000
E-3030R	A	14.000	12.250					3.750	SU-4002 ³	B	4.500	3.500	2.875	0			5.375
E-3031R	A	14.000	12.250					4.000	SU-5002 ³	B	4.500	3.500	2.875	0			5.500
E-3032R	A	14.000	12.250					2.000	HA-7084 ³	B	4.625	3.500	0	0			4.500
E-3728R	A	14.000	12.500					3.500	KA-8088	B	4.625	3.438	3.813	2.438			3.438
E-3730	A	14.000	12.000					4.000	YA-3502 ³	B	4.625	3.500	0	0			6.750
E-3732	A	14.000	12.000					4.500	YA-8096 ³	B	4.625	3.750	0	0			3.438
E-3735	A	14.000	12.688					2.500	E-2985 ³	B	4.750	3.625	3.125				7.875
E-3737	A	14.000	12.688					3.000	E-3008	B	4.750	3.500	3.500	2.250			5.000
E-3740	A	14.000	12.000					2.313	E-4505	B	4.750	3.500	3.500	2.250			2.500
E-3742	A	14.000	12.000					2.813	HA-0900 ³	B	4.750	5.000	3.750				3.875
E-3743 ¹	A	14.000	12.000					3.063	HA-2504 ³	B	4.750	4.500	0	0			4.500
E-3745 ¹	A	14.000	12.000					3.500	HA-3350 ³	B	4.750	4.500	0	0			5.000
E-3750 ¹	A	14.000	12.000					4.000	HA-4250 ³	B	4.750	3.500	0	0			6.000
E-3760 ¹	A	14.000	12.000					5.000	SU-8086 ³	B	4.750	3.750	3.500				3.250
E-3770 ¹	A	14.000	12.000					6.000	KA-7512 ³	B	4.813	4.625	3.375				7.688
E-3978XD ²	A	14.000	11.500					5.000	28-4125	B	4.875	2.000	3.875	0.500			16.000
E-3979XD ²	A	14.000	11.500					4.000	RC-9710 ³	B	4.906	3.500	2.719				6.656
E-2866	A	14.750	13.000					2.500	HA-7580 ³	B	5.000	4.250	3.000	0			3.625
E-2867	A	14.750	13.000					3.250	SU-7588 ³	B	5.000	3.500	0				4.000
E-3807R	A	15.938	13.313					3.875	SU-7592 ³	B	5.000	3.500	0				4.000
E-3022R	A	16.000	14.250					3.000	KA-7513 ³	B	5.031	4.625	3.000				7.563
E-3023R	A	16.000	14.250					3.250	HA-3093 ³	B	5.125	4.500	0	0			4.188
E-3024R	A	16.000	14.250					3.500	ML-0920 ³	B	5.250	5.500	0	0			1.875
E-3025R	A	16.000	14.250					3.750	HA-2440 ³	B	5.375	4.375	0				3.500
E-3026R	A	16.000	14.250					4.000	28-4115	B	5.500	2.000	4.500	0.500			16.000
E-3976XD ²	A	16.000	13.000					5.000	28-4130	B	5.750	2.000	4.750	0.500			16.000
E-3977XD ²	A	16.000	13.000					4.000	E-9156	B	5.750	3.500	4.687	2.062			2.000
E-3802R	A	16.125	14.375					3.000	HA-1100	B	5.750	5.375	0				2.250
E-3804R	A	16.125	14.375					3.500	KA-1000 ³	B	5.750	3.938	4.125	0			3.563
E-3806R	A	16.125	14.375					4.000	28-4100	B	5.875	2.000	4.875	0.500			10.000
E-1910	A	16.188	13.375					3.000	28-4105	B	5.875	2.000	4.875	0.500			8.000
E-3780	A	16.188	13.375					2.250	SU-5098	B	5.875	4.938	4.000	3.188			4.000
E-3786	A	16.188	13.375					3.500	28-4120	B	6.125	3.000	5.125	1.000			16.000
E-3800	A	16.188	13.375					4.000	E-3007 ³	B	6.250	7.000	5.375				2.750
E-3804	A	16.250	14.500					3.500	E-3010 ³	B	6.250	7.000	5.375				3.250
E-3804NO	A	16.250	14.500					3.500	E-3227 ³	B	6.250	7.000	5.375				2.750
E-3806	A	16.250	14.500					4.063	E-3228 ³	B	6.250	7.000	5.375				3.250
E-3806NO	A	16.250	14.500					4.063	SU-4000 ³	B	6.313	5.438	5.125				3.000
E-3808	A	16.250	14.500					4.500	E-0940 ³	B	6.500	3.000	3.250	0			7.375
E-3973	A	16.250	14.500					10.000	E-0998 ³	B	6.500	3.000	3.250	0			7.625

1) Inner Support Wire 2) Outer Support Wire 3) Closed Top

Filter Dimensions by Size

Part #	Style	A	B	C	D	E	F	H
--------	-------	---	---	---	---	---	---	---

Tapered Conical Filters

KA-1287	B	6.500	4.750	5.313	3.625			2.750
E-3020	B	6.625	5.125	5.250	0			6.000
E-4910 ³	B	6.625	5.125	5.250				10.000
E-0996 ³	B	6.906	4.000	3.375				5.000
E-0995 ³	B	6.938	3.000	3.375	0			6.750
E-9132 ³	B	7.047	3.563	4.685				2.244
E-2315	B	7.188	5.313	3.938	3.313			3.438
E-3521	B	7.375	5.375	6.375	4.375			3.375
28-4131	B	8.000	4.875	6.750	3.813			11.625
E-0945 ³	B	8.000	3.875	4.438				8.000
KA-2504	B	8.500	6.000	0				3.250
E-2605-1 ³	B	8.813	5.000	7.125				3.125
E-3012 ³	B	9.000	4.000	7.500				10.000
E-3520	B	9.000	7.000	7.250	5.250			3.500
E-2606 ³	B	10.125	6.000	7.313				3.000
E-9192 ³	B	10.500	9.000	9.750	7.500			1.250
28-4215 ³	B	11.000	5.875	9.000				8.875
E-9233 ³	B	12.750	9.438	10.438				2.500
E-3013	B	18.500	16.500	15.000	15.000			2.125

Triangle Filters

YA-4074	C	3.000		2.000				4.875
HA-1050 ³	C	3.750		2.500				4.188
TB-0410 ³	C	7.500		6.250				1.625
E-1970	C	16.250		14.000				1.750

Rectangular Filters

YA-1201	E	3.750	3.688	2.125	1.172			2.000
YA-0700	E	4.000	2.625	0	0			3.500
YA-2305	E	4.063	3.813	2.750	2.563			2.313
YA-1100	E	4.250	4.250	0	0			3.000
YA-5001	E	4.250	0	0	4.000			3.000
YA-1050 ³	E	4.563	4.000	0	0			3.000
KA-1600 ³	E	4.750	4.375	3.750	3.375			3.375
YA-1892 ³	E	5.250	2.875	0	0			2.625
E-3900	E	6.625	4.250	5.875	3.375			1.688
E-3910	E	6.625	4.250	5.875	3.375			1.875
E-3920	E	6.625	4.250	5.875	3.375			3.000
E-3930	E	6.625	4.250	5.875	3.375			3.500
E-3951	E	6.750	4.500	5.750	3.500			1.875
E-3952	E	6.750	4.500	5.750	3.500			2.500
E-3953	E	6.750	4.500	5.750	3.500			3.000
E-3954	E	6.750	4.500	5.750	3.500			4.125
E-4965	E	6.813	2.750	0.875	1.500			3.000
KA-4091	E	7.000	3.875	0	0			3.188
E-9038-1	E	7.441	6.260	6.102	4.921			2.283
E-9040-1	E	7.480	6.102	6.102	4.921			3.661
E-9248	E	7.480	6.181	6.102	4.961			3.819
E-3960	E	7.500	6.125	6.125	4.750			1.750
E-9247	E	7.598	6.378	6.063	4.921			2.756
HD-1388 ³	E	8.438	5.250	0	0			1.750
HD-8834	E	8.438	5.250	0	0			1.500
E-9138	E	8.469	6.625	6.844	4.688			3.719
E-9165	E	8.781	5.438	6.969	3.625			4.656
SU-1200 ³	E	10.250	2.875	9.500	1.750			1.875
KA-0883 ³	E	11.250	3.500	0	0			2.188
E-2925	E	11.500	8.500	9.500	6.500			2.750
E-9071	E	12.000	9.000	10.750	7.750			1.688
KA-9084 ³	E	12.000	2.750	10.969	1.188			2.563
E-9030	E	13.000	7.625	11.250	5.875			2.000
E-2930	E	14.750	12.000	13.375	10.625			2.250
E-9068	E	17.008	12.008	15.433	10.433			3.780
E-9017	E	17.188	6.063	15.750	4.625			2.125

Part #	Style	A	B	C	D	E	F	H
--------	-------	---	---	---	---	---	---	---

Rectangular Filters

E-9079	E	17.188	6.063	15.750	4.625			1.688
E-9082	E	17.188	6.063	15.750	4.625			2.625
E-9083	E	17.188	6.063	15.750	4.625			3.625
E-3817	E	17.875	10.125	15.500	7.750			2.250

Oval Filters

HA-4098 ³	F	3.750	2.938	2.375	1.500			5.688
E-3019	F	4.000	2.875	1.313	1.250			2.813
E-4515	F	4.000	2.875	1.313	1.250			2.000
E-4516	F	4.000	2.875	1.375	1.250			2.813
HA-0201 ³	F	4.000	2.875	1.313	1.250			2.875
E-4250	F	4.063	3.063	2.813	1.813			1.625
TB-8002	F	4.250	3.313	0	0			5.500
TB-9004	F	4.250	3.313	0	0			6.750
YA-0075 ³	F	4.250	3.000	3.250	2.000			3.500
TB-1610 ³	F	4.375	3.438	3.313	2.438			5.125
E-4900	F	4.438	2.750	3.375	1.750			2.250
SU-2391 ³	F	4.500	3.250	3.063	2.250			4.000
SU-4230	F	4.500	3.250	0	0			4.125
KA-7587	F	4.625	2.250	3.625	1.313			4.469
HA-0750 ³	F	4.750	3.500	3.500	2.250			4.125
YA-1078 ³	F	4.750	3.125	3.750	2.125			2.375
KA-1192	F	5.000	4.125	3.000	2.125			6.313
YA-4092 ³	F	5.000	4.875	4.000	2.750			2.688
E-9121 ³	F	5.375	4.250	7.087	4.331			7.000
YA-1399 ³	F	5.375	3.750	3.313	1.656			3.750
HA-0008	F	5.500	3.375	4.188	2.125			2.625
KA-0800 ³	F	5.500	4.000	4.250	2.750			2.875
SU-1691 ³	F	5.500	4.250	4.500	3.250			2.000
E-2868	F	5.625	4.000	3.875	2.250			6.313
KA-6589	F	5.625	4.125	4.125	2.625			2.500
E-9241	F	5.750	4.063	4.625	3.000			6.250
HA-1187 ³	F	6.000	3.500	4.750	2.250			5.000
HA-7500 ³	F	6.000	3.500	4.250	1.750			2.875
YA-1089	F	6.125	4.813	3.875	2.625			4.250
YA-6094	F	6.125	4.813	3.875	2.625			4.000
TB-2204	F	6.188	4.000	4.563	4.250			6.813
KA-1150 ³	F	6.250	4.000	5.000	2.750			3.688
YA-1550 ³	F	6.250	4.000	5.000	2.750			2.500
YA-6098 ^{1,3}	F	6.250	4.938	4.250	3.000			3.000
HA-1210 ³	F	6.375	4.375	5.125	3.125			2.313
YA-2088	F	6.375	4.750	5.375	3.750			2.750
E-3011	F	6.500	4.250	5.250	3.000			4.000
E-9098	F	6.500	3.000	4.750	1.125			2.125
HA-8080 ³	F	6.500	4.625	5.250	3.375			3.688
SU-0007-A ³	F	6.500	4.250	0	0			4.000
E-1004	F	6.625	4.625	5.250	3.250			8.375
E-2292	F	6.625	2.750	5.625	1.750			2.375
E-2873	F	6.625	5.625	5.375	4.375			7.000
PL-1002	F	6.625	3.813	5.375	2.625			3.438
SU-3590	F	6.625	3.750	5.625	2.750			2.500
SU-6590 ³	F	6.625	4.625	5.250	3.250			2.875
TB-9002	F	6.688	4.688	5.438	3.438			4.250
E-4511 ³	F	6.750	2.375	5.500	1.125			1.938
E-4551 ²	F	6.813	4.188	5.188	2.563			4.000
E-9269	F	6.875	5.250	4.344	2.875			9.313
HD-2084	F	6.875	5.875	5.625	4.500			2.375
E-3321	F	7.000	4.500	6.125	3.625			1.750
E-3324	F	7.000	4.500	6.125	3.625			2.250
E-3325	F	7.000	4.500	6.125	3.625			2.750
E-3341	F	7.000	4.500	6.125	3.625			3.313
HA-0800	F	7.000	4.500	5.750	3.250			4.650
HA-1294	F	7.000	4.500	5.750	3.250			3.688

1) Inner Support Wire 2) Outer Support Wire 3) Closed Top

Filter Dimensions by Size

Part #	Style	A	B	C	D	E	F	H	Part #	Style	A	B	C	D	E	F	H
Oval Filters									Oval Filters								
HA-1303 ³	F	7.000	4.000	5.750	2.750			3.313	E-3122	F	12.625	5.000	10.875	3.250			2.375
HA-8084 ³	F	7.000	4.500	5.750	3.250			3.813	E-9110	F	12.625	9.000	10.875	7.250			1.750
HA-8085 ³	F	7.000	4.500	5.750	3.250			3.813	E-2940	F	12.750	8.500	10.500	5.875			2.500
HA-2584	F	7.125	5.000	5.875	3.750			2.750	E-2990	F	12.875	4.875	11.250	3.000			3.188
HA-1312 ³	F	7.375	4.000	6.125	2.750			2.063	E-9090 ³	F	13.000	8.375	11.750	7.125			1.813
HA-1314 ³	F	7.375	4.000	6.125	2.750			2.313	E-9091	F	13.875	9.500	12.000	7.625			1.875
HA-1315 ³	F	7.375	4.000	6.125	2.750			2.500	E-1958	F	14.250	7.750	12.500	6.000			1.938
E-9281 ³	F	7.438	5.500	4.500	2.563			9.656	E-9201	F	14.500	8.000	11.750	5.250			2.875
YA-1300	F	7.500	1.625	6.500	0.750			2.875	E-2970	F	14.625	6.500	12.375	4.250			1.844
SU-5503 ³	F	7.625	3.313	6.375	2.063			1.688	E-3514	F	14.625	7.750	13.000	6.188			4.000
YA-1285 ³	F	7.625	3.250	5.188	1.344			4.563	E-3515	F	14.625	7.750	13.000	6.188			2.000
HA-1302	F	7.750	3.313	3.438	2.031			4.563	E-2880	F	15.750	4.625	14.000	2.875			1.938
HA-6592 ³	F	7.750	4.750	6.875	2.938			2.500	E-2910	F	16.125	5.500	14.500	3.625			2.375
E-1931	F	7.875	5.063	6.625	3.813			4.250	E-2900	F	16.250	5.500	14.500	3.625			2.000
SU-7596 ³	F	8.000	5.375	0	0			3.250	E-9178	F	17.500	9.875	15.750	8.125			2.250
E-9249	F	8.071	5.315	3.740	1.693			8.071	E-1980	F	19.750	15.750	17.750	13.750			2.000
HA-1079 ³	F	8.500	3.750	6.750	2.000			2.500	E-3840	F	19.750	15.750	17.750	13.750			3.000
HA-1245 ³	F	8.500	3.750	6.500	1.750			2.875	RP-4820	F	20.250	8.250	18.875	6.875			7.625
HA-1250 ³	F	8.500	3.750	6.500	1.750			3.188	E-1960	F	20.813	9.500	18.313	7.000			1.813
E-3014 ³	F	8.813	6.188	0	0			1.625	E-1963	F	20.813	9.500	18.313	7.000			3.000
E-1935	F	8.875	4.375	6.875	2.375			5.875	E-1966	F	20.813	9.500	18.313	7.000			6.000
E-2890	F	8.875	4.375	6.875	2.375			3.750	E-3035	F	20.813	9.500	18.313	7.000			4.000
E-3441	F	8.875	5.250	7.375	3.750			1.750	E-3001	F	22.000	11.125	20.125	9.250			6.000
E-3442	F	8.875	5.250	7.375	3.750			2.000	E-2950 ¹	F	24.125	5.625	22.750	4.250			2.438
E-3461	F	8.875	5.250	7.500	3.986			3.250	E-2960 ¹	F	24.125	5.625	22.750	4.250			2.125
E-3471	F	8.875	5.250	7.375	3.750			4.500									
E-3481	F	8.875	5.250	7.375	3.750			5.500									
E-3491	F	8.875	5.250	7.375	3.750			6.000									
AC-1009 ³	F	8.938	5.875	7.563	4.500			2.000	BM-6507	G	4.875	3.125					1.563
E-2871	F	9.000	5.375	6.500	2.875			5.750	BM-6012	G	5.063	3.625					1.563
E-3445	F	9.000	5.500	8.000	4.500			1.750	HA-0502	G	5.125	4.375					1.000
E-3446	F	9.000	5.500	8.000	4.500			2.750	33-2238	G	5.188	4.438					0.625
E-3017	F	9.250	8.750	7.469	6.969			3.000	43-9074	G	5.354	3.504					1.181
E-3495	F	9.250	8.375	7.938	7.063			2.125	YA-1306	G	5.438	4.625					1.125
E-3040 ³	F	9.375	6.125	8.063	1.625			2.250	YA-1602-U	G	5.438	4.313					0.688
E-9032	F	9.750	6.750	6.875	3.750			4.250	KT-1211	G	5.563	4.313					1.563
HD-0200	F	9.750	5.500	8.375	4.250			2.063	BM-1199	G	5.625	4.313					1.313
HD-2075	F	9.750	5.500	8.375	4.250			2.438	33-2709	G	5.750	5.750					0.875
HD-2076	F	9.750	5.500	8.375	4.250			3.000	KA-0009	G	5.750	5.250					0.688
HD-2078	F	9.750	5.625	8.375	4.375			3.000	BM-1204	G	5.875	3.500					1.250
MG-0100	F	10.000	6.250	8.500	4.750			2.250	YA-5008	G	5.875	4.375					1.000
E-1940	F	10.438	8.438	8.875	6.875			1.875	YA-3215	G	5.938	4.438					1.500
E-1950	F	10.625	9.250	9.125	7.750			2.125	BM-8006	G	6.000	3.625					1.438
E-1955	F	10.625	9.250	9.125	7.750			4.000	MG-0001	G	6.000	4.438					1.219
E-2980	F	10.750	8.500	9.000	6.625			1.750	BA-1801	G	6.250	5.500					0.688
E-2983	F	10.750	8.500	9.000	6.625			2.438	BA-2201	G	6.281	5.625					0.938
E-9236	F	11.024	9.606	7.323	5.906			2.441	33-2633	G	6.375	4.625					0.938
E-1957	F	11.063	6.500	9.625	5.000			3.500	HA-2511	G	6.438	4.438					0.938
E-2920	F	11.125	9.250	9.188	7.313			1.844	YA-2002	G	6.438	4.500					0.500
E-2863	F	11.250	10.250	9.500	8.500			2.500	33-2008-1	G	6.625	6.625					1.625
E-2877 ³	F	11.250	7.875	8.250	4.875			3.750	33-2060	G	6.625	6.188					1.063
E-9172	F	11.406	7.188	9.500	5.438			1.500	CM-9910	G	6.688	4.938					1.500
E-9136	F	11.438	7.875	9.625	6.125			2.375	33-2561	G	6.693	11.339					1.181
E-3504	F	11.500	8.125	9.750	6.375			4.000	33-2359	G	6.750	5.813					1.250
E-3505	F	11.500	8.125	9.750	6.375			2.000	33-2459	G	6.750	6.000					1.063
E-0785 ³	F	11.750	5.875	0	0			9.000	BM-1113	G	6.750	4.500					1.500
E-3671	F	12.000	5.250	10.750	4.000			3.250	33-2422	G	6.813	6.688					1.000
E-3672	F	12.000	5.250	10.750	4.000			2.250	33-2544	G	6.938	3.500					0.875
E-3676	F	12.000	5.250	10.750	4.000			5.625	33-5006	G	6.938	5.625					1.000
E-9166	F	12.205	7.205	10.433	5.512			3.071	AL-6505	G	6.938	3.500					1.500
E-1946	F	12.250	5.500	9.688	3.000			6.000	33-2584	G	6.969	3.344					0.719
E-2428	F	12.250	9.000	11.375	8.125			2.375	33-2159	G	7.063	5.438					1.188
TB-0300	F	12.250	4.750	10.750	3.250			1.500	33-2485	G	7.063	4.688					1.125
E-2874	F	12.375	8.500	9.875	6.000			2.250	33-2399	G	7.125	6.625					1.000

1) Inner Support Wire 2) Outer Support Wire 3) Closed Top

Filter Dimensions by Size

Part #	Style	A	B	C	D	E	F	H	Part #	Style	A	B	C	D	E	F	H
Panel Filters									Panel Filters								
33-2433	G	7.125	6.000					1.250	33-2340	G	8.250	6.250					1.125
AL-4506	G	7.188	5.125					1.000	33-2436	G	8.250	9.813					1.125
33-2634	G	7.219	6.656					0.938	33-3011	G	8.250	7.875					1.000
33-2860	G	7.250	3.000					1.188	AL-1002	G	8.250	5.375					1.000
PL-1608	G	7.250	4.250					1.000	DU-9098	G	8.250	8.250					1.188
DU-1112	G	7.281	6.875					1.000	KA-2508	G	8.250	5.375					0.625
DU-1112R	G	7.281	6.875					1.000	33-2105	G	8.313	8.063					2.000
KT-1113	G	7.313	5.500					1.625	33-2795	G	8.313	8.000					1.000
33-2307	G	7.375	4.313					0.938	33-3000	G	8.313	5.125					1.000
33-2348	G	7.375	7.000					0.938	SU-7593	G	8.375	7.375					0.688
AL-1004	G	7.375	5.188					0.813	33-2239	G	8.438	6.375					0.875
HD-1208	G	7.375	3.750					0.875	HA-1010	G	8.438	3.000					1.125
KA-7589	G	7.375	5.688					0.625	YA-1709	G	8.438	5.563					1.000
PL-1115	G	7.375	7.500					1.313	33-2515	G	8.469	4.438					1.188
KA-9915	G	7.438	4.875					1.313	33-2037	G	8.500	5.875					0.875
33-2880	G	7.500	6.500					1.063	33-2853	G	8.500	6.500					0.938
SU-9094	G	7.500	7.250					0.625	33-2914	G	8.500	6.688					0.938
33-2022	G	7.563	5.938					1.563	BA-2012	G	8.500	3.938					1.125
33-2162	G	7.563	6.125					0.875	DU-0900	G	8.500	8.375					0.750
33-2450	G	7.563	3.188					1.313	KT-6912	G	8.500	4.500					1.625
33-2464	G	7.563	7.125					1.188	PL-5003	G	8.500	8.438					1.063
33-2836	G	7.563	6.875					1.000	33-2074	G	8.625	8.000					1.688
YA-1208	G	7.563	5.063					1.000	KT-6907	G	8.625	4.625					1.000
33-2790	G	7.594	6.219					0.969	33-2770	G	8.661	7.402					1.260
33-2491	G	7.625	7.438					1.625	33-2435	G	8.688	7.344					1.125
SU-2513	G	7.625	4.031					1.000	BM-2605	G	8.688	7.688					0.938
SU-6000	G	7.625	5.313					0.813	33-2036	G	8.750	6.500					1.000
SU-6505	G	7.625	5.250					0.875	33-2304	G	8.750	8.563					0.938
TB-6000	G	7.625	3.938					0.813	33-2954	G	8.750	4.750					1.125
33-2143	G	7.688	6.063					1.125	33-3029	G	8.750	8.375					1.188
SU-1014	G	7.688	4.625					1.125	CG-9002	G	8.750	5.250					1.000
33-2564	G	7.750	5.813					1.125	SU-6303	G	8.750	4.500					1.250
33-2736	G	7.781	5.938					1.188	33-2073	G	8.813	8.188					0.938
33-2092	G	7.813	3.625					1.125	33-2120	G	8.813	6.500					1.125
KT-6908	G	7.813	4.750					1.625	33-2301	G	8.813	6.500					1.063
33-5027	G	7.844	5.594					1.031	33-2409	G	8.813	6.625					1.000
33-2044	G	7.875	7.000					1.125	33-2702	G	8.813	8.563					1.063
33-2104	G	7.875	7.563					0.938	YA-8596	G	8.813	4.500					0.875
33-2440	G	7.875	7.063					1.438	33-2615	G	8.844	6.688					1.188
33-2597	G	7.875	6.688					1.188	33-2045	G	8.875	8.875					0.875
33-2955	G	7.875	6.375					1.063	33-2067	G	8.875	7.375					1.000
33-2735	G	7.906	5.563					1.188	33-2400	G	8.875	8.625					1.000
33-2827	G	7.952	7.520					1.181	33-2671	G	8.875	6.500					0.938
TB-1213	G	7.969	3.875					1.063	33-2682	G	8.875	5.250					1.063
33-2006	G	8.000	5.125					1.250	33-2972	G	8.875	8.250					1.625
33-2380	G	8.000	7.500					1.000	BM-1611	G	8.875	4.000					1.625
33-2788	G	8.000	9.313					1.188	33-2288	G	8.938	8.625					1.000
33-2935	G	8.000	8.313					1.000	33-2338	G	8.938	6.063					0.938
33-5034	G	8.000	7.313					0.938	33-2990	G	8.938	8.000					1.250
BM-0300	G	8.000	6.375					1.688	33-2027	G	9.000	7.750					1.500
33-2796	G	8.031	6.378					0.945	33-2106-1	G	9.000	7.688					1.188
33-2098	G	8.063	6.375					1.000	33-2224	G	9.000	7.438					1.125
33-2222	G	8.063	5.875					1.125	33-2237	G	9.000	7.500					1.188
33-2234	G	8.063	7.125					1.000	33-2533	G	9.000	6.438					0.813
33-2821	G	8.063	7.125					1.188	33-2993	G	9.000	4.625					1.625
33-5002	G	8.063	6.063					1.125	33-3030	G	9.000	5.313					1.031
33-2421	G	8.125	7.625					1.375	33-5007	G	9.000	6.313					1.188
33-2813	G	8.125	6.688					1.125	TB-9097	G	9.000	3.938					1.063
33-2971	G	8.125	7.875					1.625	33-5014	G	9.031	5.313					1.000
CM-9908	G	8.125	5.250					0.875	33-2155	G	9.063	7.938					1.000
33-2740	G	8.156	6.688					1.250	33-2455	G	9.063	8.625					1.063
33-2866	G	8.188	6.500					1.250	33-2944	G	9.063	6.438					1.125
33-2758	G	8.228	5.551					1.181	33-5015	G	9.063	5.438					1.000
33-2003	G	8.250	8.125					1.563	33-5037	G	9.063	8.563					1.000

1) Inner Support Wire 2) Outer Support Wire 3) Closed Top

Filter Dimensions by Size

Part #	Style	A	B	C	D	E	F	H	Part #	Style	A	B	C	D	E	F	H
Panel Filters									Panel Filters								
33-2076	G	9.125	9.188					1.250	33-2429	G	9.563	7.875					0.875
33-2117	G	9.125	7.750					1.188	33-2510	G	9.563	6.688					1.250
33-2156	G	9.125	7.063					1.063	33-2918	G	9.563	9.563					0.938
33-2375	G	9.125	5.250					0.875	33-2134	G	9.625	6.188					0.875
33-2479	G	9.125	4.000					1.031	33-2241	G	9.625	8.125					1.375
33-2586	G	9.125	3.563					0.938	33-2360	G	9.625	6.938					1.000
33-2679	G	9.125	6.125					0.938	33-2443	G	9.625	8.750					1.125
33-2824	G	9.125	5.750					1.063	33-2457	G	9.625	8.875					1.250
BM-1010	G	9.125	6.156					1.125	33-2802	G	9.625	8.000					1.000
BM-1010R	G	9.125	6.156					1.125	33-2849	G	9.625	7.500					1.250
33-2285	G	9.188	8.563					0.813	33-2881	G	9.625	4.563					1.125
33-2452	G	9.188	9.000					1.000	33-2952	G	9.625	4.750					1.500
33-2470	G	9.188	9.000					1.125	33-2968	G	9.625	5.750					1.625
33-2547	G	9.188	5.125					1.188	33-5000	G	9.625	7.813					1.563
33-2873	G	9.188	8.063					1.000	33-2793	G	9.645	7.717					0.944
33-3003	G	9.188	8.375					1.063	33-2170	G	9.688	8.188					1.313
33-2070	G	9.250	6.875					1.000	33-2182	G	9.688	6.563					1.125
33-2227	G	9.250	7.500					1.125	33-2265	G	9.688	8.250					1.375
33-2334	G	9.250	8.750					1.188	33-2833	G	9.688	8.313					1.063
33-2398	G	9.250	8.875					1.000	33-2034	G	9.750	5.938					1.000
33-2418	G	9.250	8.125					1.250	33-2077	G	9.750	9.625					1.063
33-2430	G	9.250	8.125					1.250	33-2093	G	9.750	6.250					1.125
33-2733	G	9.250	9.000					1.188	33-2161	G	9.750	6.188					1.063
33-2767	G	9.250	7.750					1.125	33-2204	G	9.750	8.250					1.063
33-2887	G	9.250	7.500					1.188	33-2211	G	9.750	4.688					0.813
33-2927	G	9.250	5.500					1.125	33-2445	G	9.750	6.313					1.000
33-2933	G	9.250	8.000					1.000	33-2748-1	G	9.750	6.750					0.938
33-2978	G	9.250	7.000					1.063	33-2949	G	9.750	5.875					1.000
33-5032	G	9.250	7.375					1.125	33-2960	G	9.750	5.125					1.000
33-2072	G	9.313	7.438					1.000	33-2979	G	9.750	3.625					1.250
33-2188	G	9.313	7.375					1.125	33-3010	G	9.750	6.313					1.000
33-2206	G	9.313	8.375					1.063	33-2112	G	9.813	8.813					1.188
33-2996	G	9.313	8.688					1.563	33-2149	G	9.813	8.188					1.125
33-2119	G	9.375	8.000					1.188	33-2500	G	9.813	6.000					1.188
33-2231	G	9.375	6.875					1.063	33-2525	G	9.813	6.500					0.875
33-2245	G	9.375	6.500					1.125	33-3009	G	9.813	5.125					1.000
33-2305	G	9.375	7.063					0.938	33-2013	G	9.875	8.250					1.625
33-2310	G	9.375	7.125					1.125	33-2041-1	G	9.875	6.188					0.938
33-2419	G	9.375	8.375					1.250	33-2125	G	9.875	8.250					0.750
33-2423	G	9.375	8.375					1.125	33-2147	G	9.875	8.000					0.875
33-2468	G	9.375	7.250					1.063	33-2151	G	9.875	8.375					1.938
33-2639	G	9.375	6.875					1.188	33-2167	G	9.875	7.875					0.938
33-2771	G	9.375	7.375					1.125	33-2609	G	9.875	7.281					1.188
33-2826	G	9.375	5.500					0.938	33-2680	G	9.875	5.938					1.188
33-2951	G	9.375	9.375					1.375	33-2929	G	9.875	5.250					1.125
33-2992	G	9.375	7.688					1.625	33-3016	G	9.875	4.875					1.125
33-3006	G	9.375	4.875					1.125	33-3024	G	9.875	7.938					1.375
33-3014	G	9.375	6.750					1.188	TB-6713	G	9.875	5.063					0.875
33-2113	G	9.438	5.688					0.875	33-2033	G	9.938	9.938					0.875
33-2318	G	9.438	7.125					1.125	33-2050-1	G	9.938	6.750					1.063
33-2595	G	9.438	6.406					1.188	33-2095	G	9.938	8.875					1.063
33-2658	G	9.438	8.594					1.188	33-2137	G	9.938	8.500					1.063
33-2063-1	G	9.500	7.188					1.063	33-2142	G	9.938	8.250					1.188
33-2242	G	9.500	6.063					1.125	33-2150	G	9.938	7.063					0.875
33-2373	G	9.500	8.500					1.250	33-2153	G	9.938	7.438					1.125
33-2476	G	9.500	6.750					1.125	33-2675	G	9.938	8.250					1.125
33-2548-A	G	9.500	8.250					1.063	33-2744	G	9.938	8.938					1.188
33-2957	G	9.500	7.188					1.625	33-2794	G	9.938	8.000					0.906
33-3019	G	9.500	6.625					1.438	33-2804	G	9.938	6.875					1.188
33-2890	G	9.528	8.937					1.250	33-3002	G	9.938	9.250					1.375
33-2054	G	9.563	8.125					1.313	33-2059	G	10.000	5.750					1.063
33-2136	G	9.563	7.125					1.000	33-2081	G	10.000	7.625					1.250
33-2199	G	9.563	7.625					0.938	33-2094	G	10.000	4.813					1.125
33-2282	G	9.563	6.375					0.938	33-2107	G	10.000	7.250					1.188

1) Inner Support Wire 2) Outer Support Wire 3) Closed Top

Filter Dimensions by Size

Part #	Style	A	B	C	D	E	F	H	Part #	Style	A	B	C	D	E	F	H
Panel Filters									Panel Filters								
33-2187	G	10.000	7.188					0.813	33-2049	G	10.500	6.625					1.000
33-2201	G	10.000	6.813					1.188	33-2141-1	G	10.500	7.875					0.938
33-2627	G	10.000	7.125					1.063	33-2381	G	10.500	7.188					1.125
33-2862	G	10.000	8.500					1.125	33-2385	G	10.500	9.875					1.000
33-2930	G	10.000	4.625					1.000	33-2414	G	10.500	7.063					1.250
33-2964	G	10.000	9.750					1.625	33-2424	G	10.500	6.250					1.188
33-3018	G	10.000	4.813					1.563	33-2761	G	10.500	4.563					1.188
33-5016	G	10.000	6.813					0.875	33-2762	G	10.500	4.188					1.188
SU-6509	G	10.000	9.938					1.000	33-2958	G	10.500	8.750					1.000
33-2026	G	10.063	6.813					1.188	33-2966	G	10.500	10.281					1.250
33-2055	G	10.063	5.500					0.875	33-2974	G	10.500	6.563					1.125
33-2205	G	10.063	9.125					1.125	33-2980	G	10.500	7.438					1.438
33-2351	G	10.063	6.313					1.188	33-2997	G	10.500	8.563					1.250
33-2665	G	10.063	9.219					1.188	33-3008	G	10.500	5.688					1.438
33-2676	G	10.063	6.375					0.938	33-2290	G	10.563	4.563					1.250
33-2977	G	10.063	4.063					0.875	33-2672	G	10.563	6.750					0.813
33-5021	G	10.063	10.000					0.875	33-5009	G	10.563	7.313					1.125
YA-1009	G	10.063	5.813					0.813	33-2002	G	10.625	5.000					1.625
YA-1009R	G	10.063	5.813					0.813	33-2010	G	10.625	6.125					1.375
33-2131	G	10.125	4.563					0.813	33-2268	G	10.625	7.375					1.250
33-2198	G	10.125	6.938					0.875	33-2354	G	10.625	5.313					1.000
33-2451	G	10.125	6.500					0.875	33-2378	G	10.625	6.875					1.000
33-2700	G	10.125	8.125					0.875	33-2392	G	10.625	7.438					1.438
33-2729	G	10.125	4.125					0.875	33-2472	G	10.625	5.750					1.000
33-2800	G	10.125	8.750					1.000	33-2521	G	10.625	7.375					0.875
33-2973	G	10.125	7.250					1.125	33-2953	G	10.625	9.250					1.125
33-3015	G	10.125	8.188					1.500	33-2963	G	10.625	10.000					0.875
33-2727	G	10.156	4.938					1.250	33-3007	G	10.625	4.875					1.563
33-2009	G	10.188	6.625					1.250	33-2053	G	10.688	8.125					1.313
33-2016	G	10.188	8.750					1.625	33-2086	G	10.688	8.000					1.125
33-2298	G	10.188	9.500					1.000	33-2087	G	10.688	5.188					1.313
33-2473	G	10.188	6.375					1.063	33-2270	G	10.688	6.375					1.063
33-2664	G	10.188	10.063					1.188	33-2316	G	10.688	7.938					1.063
33-2753	G	10.188	7.000					1.063	33-2649	G	10.688	7.125					1.125
33-3027	G	10.188	3.688					1.438	33-2846	G	10.688	6.750					1.250
33-5020	G	10.188	10.000					0.875	33-2981	G	10.688	5.438					1.063
33-2477	G	10.219	7.875					1.125	33-2701	G	10.719	10.563					1.188
33-2157	G	10.250	6.500					1.125	33-2124	G	10.750	6.563					0.813
33-2403	G	10.250	8.000					1.000	33-2180	G	10.750	5.563					0.938
33-2415	G	10.250	6.500					0.938	33-2246	G	10.750	9.750					0.875
33-2417	G	10.250	4.313					1.250	33-2428	G	10.750	10.250					1.250
33-2734	G	10.250	9.625					1.188	33-2480	G	10.750	7.125					1.188
33-2934	G	10.250	8.000					1.125	33-2759	G	10.750	8.625					1.188
33-2961	G	10.250	6.688					1.250	33-2839	G	10.750	7.188					1.188
33-2986	G	10.250	3.750					1.500	33-5030	G	10.750	10.000					1.063
33-2995	G	10.250	6.875					1.500	33-2068	G	10.813	6.563					1.063
TB-1011	G	10.250	5.375					1.063	33-2293	G	10.813	7.313					1.125
33-2168	G	10.313	7.063					1.125	33-2484	G	10.813	7.625					1.063
33-2209	G	10.313	8.250					1.125	33-2861	G	10.813	7.000					1.188
33-2312	G	10.313	7.500					0.938	33-2017	G	10.875	10.250					1.188
33-2737	G	10.313	7.938					1.125	33-2126	G	10.875	5.250					0.750
33-2874	G	10.313	6.844					1.188	33-2229	G	10.875	7.313					1.125
33-2069	G	10.375	8.938					0.938	33-2397	G	10.875	7.125					1.000
33-2196	G	10.375	5.625					1.188	33-2663	G	10.875	6.250					1.125
33-2437	G	10.375	7.500					1.500	33-2886	G	10.875	6.750					1.250
33-2444	G	10.375	10.250					1.188	33-2998	G	10.875	6.563					1.625
33-2667	G	10.375	6.625					1.188	33-2999	G	10.875	6.438					1.063
33-2819	G	10.375	5.625					1.063	33-2091-1	G	10.938	7.125					0.938
33-2185	G	10.438	4.500					1.188	33-2166	G	10.938	6.188					1.125
33-2357	G	10.438	6.250					1.063	33-2253	G	10.938	9.750					0.938
33-2453	G	10.438	9.000					1.000	33-2325	G	10.938	9.750					0.938
33-2647	G	10.438	4.125					1.125	33-2877	G	10.938	7.438					1.125
33-3004	G	10.438	7.375					1.000	33-2921	G	10.938	6.375					0.813
33-2579	G	10.472	5.315					0.709	33-5031	G	10.938	7.500					1.000

1) Inner Support Wire 2) Outer Support Wire 3) Closed Top

Filter Dimensions by Size

Part #	Style	A	B	C	D	E	F	H	Part #	Style	A	B	C	D	E	F	H
Panel Filters									Panel Filters								
KA-6512	G	10.938	4.625					1.938	33-2300	G	11.375	5.875					1.063
33-2031-2	G	11.000	6.563					1.125	33-2442	G	11.375	10.125					1.000
33-2075	G	11.000	6.563					1.063	33-2469	G	11.375	6.500					1.000
33-2110	G	11.000	7.313					1.125	33-2962	G	11.375	10.125					1.625
33-2232	G	11.000	6.563					1.063	33-2970	G	11.375	8.000					0.875
33-2249	G	11.000	9.063					0.938	33-2991	G	11.375	7.000					1.688
33-2297	G	11.000	9.875					1.625	33-3025	G	11.375	8.156					0.938
33-2343	G	11.000	6.250					0.875	HA-1313	G	11.375	6.813					0.875
33-2439	G	11.000	8.875					1.250	33-2603	G	11.406	5.313					0.719
33-2448	G	11.000	9.000					1.000	33-2195	G	11.438	7.875					0.938
33-2454	G	11.000	7.000					1.000	33-2225	G	11.438	5.813					1.125
33-2969	G	11.000	7.875					1.000	33-2233	G	11.438	8.500					1.125
33-5005	G	11.000	10.031					2.250	33-2295	G	11.438	8.313					1.063
33-5011	G	11.000	8.000					1.063	33-2314	G	11.438	9.063					1.063
DU-9001	G	11.000	8.563					0.938	33-2725	G	11.438	3.375					1.125
KA-6005	G	11.000	4.563					1.500	33-2787	G	11.438	9.125					1.188
33-2080	G	11.063	7.063					1.063	33-2040	G	11.500	9.188					0.875
33-2296	G	11.063	9.125					0.938	33-2042	G	11.500	6.000					1.125
33-2526	G	11.063	8.188					1.188	33-2213	G	11.500	8.688					1.188
33-2704	G	11.063	6.688					1.188	33-2254	G	11.500	7.313					1.125
33-2870	G	11.063	4.813					1.125	33-2363	G	11.500	9.000					1.125
33-3023	G	11.063	8.000					1.625	33-2410	G	11.500	7.156					1.875
33-5018	G	11.063	3.813					0.813	33-2420	G	11.500	8.500					1.625
DU-6202	G	11.063	8.563					0.875	33-2492	G	11.500	6.188					1.188
33-2221	G	11.125	7.375					1.125	33-2589	G	11.500	6.406					1.188
33-2458	G	11.125	10.500					1.000	33-2673	G	11.500	3.938					1.188
33-2494	G	11.125	7.625					1.313	33-2703	G	11.500	8.813					1.000
33-2532	G	11.125	10.438					1.188	33-2273	G	11.563	6.750					1.125
33-2841	G	11.125	6.313					1.000	33-3005	G	11.563	7.000					1.250
33-2931	G	11.125	3.875					1.000	33-2038	G	11.625	7.125					0.875
33-2892	G	11.142	9.803					1.339	33-2228	G	11.625	6.375					1.125
33-2746	G	11.156	10.313					1.188	33-2315	G	11.625	7.125					1.313
33-2755	G	11.181	8.346					1.260	33-2434	G	11.625	9.125					1.625
33-2024	G	11.188	6.125					1.125	33-2447	G	11.625	8.313					1.000
33-2255	G	11.188	5.813					1.125	33-2699	G	11.625	3.313					1.125
33-2336	G	11.188	6.625					0.938	33-2850	G	11.625	6.000					1.188
33-2779	G	11.188	9.938					1.125	33-5013	G	11.625	6.875					1.000
33-2654	G	11.219	5.500					0.875	33-5023	G	11.625	8.313					1.500
33-2012	G	11.250	7.500					1.500	BU-1108	G	11.625	7.375					0.750
33-2015	G	11.250	8.875					1.063	33-2065	G	11.688	5.313					0.875
33-2127	G	11.250	6.500					1.813	33-2271	G	11.688	9.250					0.938
33-2212	G	11.250	8.000					1.125	33-2308	G	11.688	5.438					1.000
33-2223	G	11.250	6.563					0.875	33-2333	G	11.688	8.813					1.125
33-2272	G	11.250	7.563					1.125	33-2337	G	11.688	9.188					1.000
33-2371	G	11.250	5.375					1.000	33-2475	G	11.688	7.125					1.250
33-2483	G	11.250	10.000					1.250	33-2481	G	11.688	7.813					1.063
33-2497	G	11.250	9.875					1.250	33-2982	G	11.688	7.813					1.063
33-2513	G	11.250	6.563					1.188	33-2994	G	11.688	11.063					1.219
33-2543	G	11.250	8.188					1.188	33-2593	G	11.693	7.913					1.181
33-2708	G	11.250	7.250					0.813	33-2057	G	11.750	8.250					0.938
33-2956	G	11.250	9.000					1.438	33-2096	G	11.750	6.563					1.000
PL-5712	G	11.250	8.188					1.438	33-2370	G	11.750	7.813					1.000
33-2726	G	11.259	5.275					1.181	33-2493	G	11.750	9.000					1.188
33-2289	G	11.313	9.000					1.000	33-2632	G	11.750	6.250					1.000
33-2976	G	11.313	10.375					1.688	33-2705	G	11.750	6.625					1.250
PL-9011	G	11.313	9.875					1.500	33-5022	G	11.750	5.875					1.031
33-5029	G	11.344	10.375					1.500	33-2799	G	11.811	10.709					0.906
33-2048	G	11.375	9.625					1.063	33-2207	G	11.813	7.438					1.000
33-2116	G	11.375	9.000					0.938	33-2463	G	11.813	5.875					1.063
33-2139	G	11.375	9.688					0.875	33-5017	G	11.813	10.313					1.625
33-2235	G	11.375	9.000					0.938	33-2505	G	11.844	3.500					0.938
33-2252	G	11.375	5.875					1.000	33-2056	G	11.875	10.750					1.750
33-2286	G	11.375	9.625					1.000	33-2203	G	11.875	8.250					1.063
33-2287	G	11.375	8.500					0.938	33-2275	G	11.875	8.438					0.938

1) Inner Support Wire 2) Outer Support Wire 3) Closed Top

Filter Dimensions by Size

Part #	Style	A	B	C	D	E	F	H	Part #	Style	A	B	C	D	E	F	H
Panel Filters									Panel Filters								
33-2366	G	11.875	7.000					1.125	33-2052	G	12.375	7.500					1.000
33-2427	G	11.875	9.000					1.000	33-2266	G	12.375	6.563					1.000
33-2461	G	11.875	6.688					1.063	33-2319	G	12.375	10.875					1.500
33-2851	G	11.875	6.813					1.188	33-2465	G	12.375	10.125					1.188
33-2852	G	11.875	9.313					1.063	33-2922	G	12.375	5.875					1.000
33-2926	G	11.875	5.625					1.500	33-2965	G	12.375	4.500					1.250
33-2085	G	11.938	5.188					1.125	33-2983	G	12.375	10.250					1.625
33-2218	G	11.938	5.250					1.250	33-2129	G	12.438	9.813					1.188
33-2335	G	11.938	6.313					1.063	33-2764	G	12.438	10.813					1.063
33-2482	G	11.938	6.500					1.063	33-2835	G	12.438	6.313					0.875
33-2772	G	11.938	4.375					1.125	HY-6510	G	12.438	10.000					1.188
33-2858	G	11.938	6.750					1.188	33-2884	G	12.480	10.315					1.181
33-2988	G	11.938	5.438					1.625	33-2005	G	12.500	7.063					1.313
33-5025	G	11.938	7.250					1.000	33-2066-1	G	12.500	6.938					1.063
33-2079	G	12.000	7.125					1.125	33-2135	G	12.500	9.875					1.625
33-2165	G	12.000	5.750					1.125	33-2321	G	12.500	6.750					0.938
33-2309	G	12.000	6.813					0.938	33-2438	G	12.500	9.188					1.750
33-2358	G	12.000	7.625					0.938	33-2441	G	12.500	8.125					1.000
33-2368	G	12.000	6.500					0.875	33-2749	G	12.500	8.375					1.125
33-2383	G	12.000	6.875					1.000	33-2816	G	12.500	7.500					0.875
33-2395	G	12.000	6.750					0.938	33-2847	G	12.500	4.438					1.125
33-2425	G	12.000	5.625					1.250	KA-6009	G	12.500	6.500					0.875
33-2487	G	12.000	4.500					1.000	KA-6009R	G	12.500	6.500					0.875
33-2489	G	12.000	7.875					1.313	33-2115-1	G	12.563	5.813					1.063
33-2653-2	G	12.000	8.938					1.063	33-2260	G	12.563	7.563					0.938
33-2768	G	12.000	7.188					1.125	33-2474	G	12.563	5.250					1.625
33-2867	G	12.000	7.375					1.188	33-2177-1	G	12.625	6.813					0.938
33-2950	G	12.000	9.500					1.125	33-2197	G	12.625	5.250					1.125
33-2029	G	12.063	7.125					1.125	33-2278	G	12.625	6.875					1.000
33-2144	G	12.063	9.188					0.875	33-2910	G	12.625	6.000					0.875
33-2190	G	12.063	7.063					1.063	33-2945	G	12.625	5.000					1.563
33-2215	G	12.063	3.875					1.125	33-2959	G	12.625	10.000					1.750
33-2256	G	12.063	4.625					1.125	33-2178	G	12.688	6.125					0.938
33-2462	G	12.063	9.750					1.188	33-2539	G	12.688	6.000					1.188
33-2831	G	12.063	7.688					1.250	33-2743	G	12.688	3.813					1.125
33-2145-1	G	12.125	7.250					1.125	33-2848	G	12.688	9.750					1.188
33-2184	G	12.125	7.375					1.125	33-2656	G	12.719	10.125					0.938
33-2405	G	12.125	6.125					1.000	33-2019	G	12.750	6.563					1.563
33-2498	G	12.125	7.625					1.125	33-2078	G	12.750	5.750					1.063
33-2739	G	12.125	5.813					1.125	33-2176	G	12.750	8.313					1.125
HA-0513	G	12.125	4.813					1.063	33-2306	G	12.750	9.500					1.063
33-2512	G	12.156	6.406					1.181	33-2387	G	12.750	12.000					1.375
33-2163	G	12.188	6.188					0.875	33-2023	G	12.813	5.750					1.188
33-2279	G	12.188	6.875					1.000	33-2121-1	G	12.813	7.688					1.000
33-2426	G	12.188	10.500					1.438	33-2140-1	G	12.813	7.688					0.875
33-2499	G	12.188	7.500					1.000	33-2490	G	12.813	6.250					1.375
33-2843	G	12.188	6.125					0.938	33-2766	G	12.813	10.438					1.063
33-2032	G	12.250	7.125					1.063	33-2449	G	12.875	4.250					2.250
33-2064	G	12.250	7.938					1.000	33-2842	G	12.875	6.063					0.938
33-2374	G	12.250	5.250					1.125	33-2928	G	12.875	6.000					1.125
33-2431	G	12.250	9.625					1.250	33-2939	G	12.875	6.938					1.500
33-2924	G	12.250	7.953					0.875	33-2277	G	12.938	5.625					0.938
33-2967	G	12.250	10.063					1.000	33-2317	G	12.938	7.625					0.938
33-2099	G	12.313	5.875					1.125	33-2683	G	12.938	6.188					1.125
33-2108	G	12.313	7.938					1.188	33-2546	G	12.953	8.858					0.875
33-2146	G	12.313	9.188					0.875	33-2299	G	13.000	5.625					0.875
33-2160	G	12.313	9.188					0.875	33-2347	G	13.000	5.563					0.938
33-2226	G	12.313	6.188					1.125	33-2362	G	13.000	6.750					1.000
33-2496	G	12.313	10.313					1.188	33-2678	G	13.000	6.000					1.125
33-2728	G	12.313	4.813					1.000	33-2844	G	13.000	4.000					1.125
33-2943	G	12.313	10.750					1.625	CM-8011	G	13.000	10.500					1.063
33-2798	G	12.323	6.142					0.866	33-2043	G	13.063	9.438					1.063
33-2408	G	12.344	9.813					0.813	33-2183	G	13.063	7.375					1.125
33-2030	G	12.375	6.313					0.875	33-2210	G	13.063	5.563					1.125

1) Inner Support Wire 2) Outer Support Wire 3) Closed Top

Filter Dimensions by Size

Part #	Style	A	B	C	D	E	F	H	Part #	Style	A	B	C	D	E	F	H	
Panel Filters									Panel Filters									
33-2486	G	13.063	5.375					0.750	33-2936	G	14.250	5.750						0.875
33-2747	G	13.063	7.375					1.125	33-3001	G	14.250	6.188						0.938
33-2001	G	13.125	5.000					1.563	33-2172	G	14.375	5.250						1.063
33-2046	G	13.125	5.250					1.063	33-2386	G	14.375	5.125						1.125
33-2466	G	13.125	9.438					2.063	33-2697	G	14.375	5.813						1.125
33-2538	G	13.125	6.313					1.188	33-2834	G	14.375	6.750						1.250
33-2248	G	13.188	7.250					1.500	KT-9504	G	14.375	6.188						1.500
33-2446	G	13.188	6.375					1.000	33-2460	G	14.438	9.125						1.750
33-2750	G	13.188	8.063					1.188	33-2559	G	14.438	10.063						0.875
33-2763	G	13.188	6.500					1.188	KT-9907	G	14.438	6.188						1.500
33-2989	G	13.188	9.063					1.250	33-2154	G	14.500	6.500						0.938
33-2456	G	13.250	12.438					1.000	33-2349	G	14.563	9.375						0.813
TB-9091	G	13.250	4.938					0.438	33-2344	G	14.625	6.250						1.000
33-2169	G	13.313	6.688					1.188	PL-2415	G	14.625	9.438						0.750
33-2382	G	13.313	6.563					1.125	33-2502	G	14.646	4.500						1.406
33-2677	G	13.313	3.875					0.875	33-2864	G	14.688	3.250						1.188
33-3026	G	13.313	11.813					1.625	33-2508	G	14.719	6.125						1.188
33-5019	G	13.313	9.313					1.500	33-2284	G	14.750	8.875						0.938
HA-2513	G	13.313	9.313					1.500	33-2369	G	14.750	9.500						0.875
33-2782	G	13.346	6.614					1.260	33-2432	G	14.750	9.000						1.125
33-2018	G	13.375	6.563					1.563	33-2932	G	14.750	5.750						1.625
33-2251	G	13.375	11.125					1.000	33-2549	G	14.813	6.625						1.125
33-2645	G	13.375	9.188					1.063	33-2264	G	14.875	6.125						1.188
33-2648	G	13.375	6.875					1.188	33-2471	G	14.875	5.313						1.125
33-2084	G	13.438	6.625					1.125	33-2573	G	14.875	5.813						1.125
33-2114	G	13.438	6.250					1.125	33-2730	G	14.875	5.563						0.875
33-2175	G	13.438	6.625					1.063	33-2504	G	15.000	4.500						1.188
33-2865	G	13.438	5.313					1.188	33-2915	G	15.063	7.000						1.063
33-2123	G	13.500	7.125					1.563	HA-2714	G	15.063	5.500						0.875
33-2384	G	13.500	8.750					1.125	33-2574	G	15.079	5.748						1.181
33-2662	G	13.500	6.875					1.188	33-2324	G	15.125	7.188						0.938
33-2122	G	13.563	6.688					1.125	33-2570	G	15.250	6.063						0.875
33-2670	G	13.625	7.125					1.500	33-2745	G	15.250	6.375						1.063
33-2975	G	13.625	8.000					1.563	33-2857	G	15.250	7.313						1.188
HA-7008	G	13.625	8.250					1.438	33-2313	G	15.313	7.250						1.000
33-2518	G	13.656	6.813					1.188	33-2353	G	15.313	8.188						1.000
33-2181	G	13.688	5.188					1.250	33-2132	G	15.563	5.813						1.125
33-2051	G	13.750	4.125					1.063	33-2545	G	15.625	8.719						0.875
33-2058	G	13.750	5.125					1.125	33-2004	G	15.750	7.000						1.688
33-2152	G	13.750	8.375					1.188	33-5008	G	15.750	7.063						0.750
33-2247	G	13.750	9.313					1.563	33-2062-1	G	15.938	7.813						1.500
33-2339	G	13.750	4.813					1.188	33-2014	G	16.000	7.750						1.063
HA-1213	G	13.750	6.125					1.000	33-2118	G	16.000	8.000						1.000
33-2626	G	13.781	5.906					1.188	33-2322	G	16.000	7.875						1.125
33-2269	G	13.875	8.375					1.188	33-2111	G	16.063	8.000						1.125
33-2391	G	13.875	10.313					1.625	33-2912	G	16.313	8.875						1.125
33-2406	G	13.875	9.375					1.125	YA-2406	G	16.438	5.313						0.875
33-2916	G	13.875	4.125					1.125	33-2011	G	16.500	5.750						0.719
33-2576	G	13.898	8.189					0.866	33-2985	G	16.688	7.875						1.000
33-2577	G	13.937	9.567					1.220	33-2937	G	16.750	3.750						1.063
33-2509	G	13.938	3.594					1.188	33-2331	G	16.813	5.000						1.188
33-3021	G	13.938	9.063					1.688	33-2710	G	17.519	5.118						1.181
33-3022	G	13.938	9.063					1.688	33-2035	G	17.563	10.625						1.063
33-2128	G	14.000	7.188					1.250	33-2193	G	18.250	3.250						1.125
33-2394	G	14.000	11.750					1.000	33-2640	G	18.813	5.688						1.188
33-2530	G	14.000	8.000					0.875	33-2591	G	20.250	6.188						0.938
33-2925	G	14.000	3.250					1.125	33-2807	G	20.344	4.531						0.969
33-3028	G	14.000	5.813					2.688	33-2189	G	20.500	6.938						1.063
33-5010	G	14.000	6.750					2.375	33-2244	G	20.563	3.313						1.125
33-2891	G	14.016	10.354					1.339	33-2495	G	20.938	16.000						0.625
33-2130	G	14.063	6.000					1.125	33-2706	G	22.313	6.375						1.000
33-2164	G	14.125	9.313					0.938										
33-2765	G	14.173	6.688					1.188										
33-2987	G	14.188	8.250					1.688										

1) Inner Support Wire 2) Outer Support Wire 3) Closed Top

Intake System Spare Filters and Wraps

Intake System	Spare Filter	Filter Wrap	Intake System	Spare Filter	Filter Wrap	Intake System	Spare Filter	Filter Wrap
57-1000	RC-4690	RC-4690DK	57-2501	RF-1003		57-2575	RC-5173	RC-5173DK
57-1001	RC-4630	RC-4630DK	57-2502	RF-1004		57-2576	RU-5172	RC-5139DK
57-1002	RU-4730	RX-4730DK	57-2503	RF-1012	RF-1012DK	57-2577	RC-4381	RF-1036DK
57-1003	RF-1032	RF-1032DK	57-2505-1	RF-1016	RC-5100DK	57-2578	33-2431	
57-1124	RC-4630XD	RC-4630DK	57-2507	RF-1025	RC-5106DK	57-2579	RF-1044	RF-1020DK
57-1500-1	RF-1001	RF-1024DK	57-2510-1	RF-1017	22-8050PK	57-2580	RC-5173	RC-5173DK
57-1501	E-3742	E-1650PK	57-2511	RF-1014	RF-1014DK	57-2581	RC-5173	RC-5173DK
57-1502	E-1650	E-1650PK	57-2513-1	RF-1014	RF-1014DK	57-2582	RC-5282	
57-1503-1	E-3740	E-3740PK	57-2514-4	RF-1020	RF-1020DK	57-2583	RC-5173	RC-5173DK
57-1506-2	RF-1027	RF-1027DK	57-2516	RF-1026	RF-1026DK	57-2584	RC-5173	RC-5173DK
57-1507	RF-1027	RF-1027DK	57-2517	RF-1003		57-2585	RC-1637	
57-1508	RF-1033		57-2519-3	RF-1036	RF-1036DK	57-2587	RU-4960	RX-4990DK
57-1509-1	RC-4680	RF-1032DK	57-2523-2	RF-1048	RF-1048DK	57-2591	RC-5173	RC-5173DK
57-1511-2	RC-4680	RF-1032DK	57-2524-2	RF-1044	RF-1020DK	57-3000	RC-5179	RC-5139DK
57-1512	RF-1039	RC-4160DK	57-2525-2	RF-1044	RF-1020DK	57-3009	RF-1023	22-8033PK
57-1513-1	RF-1045	RF-1045DK	57-2526-2	RP-4740	RF-1023DK	57-3010-1	RF-1015	RF-1015DK
57-1514-1	RF-1045	RF-1045DK	57-2527	RF-1048	RF-1048DK	57-3011	RF-1021	
57-1515-1	RP-4660	RP-4660DK	57-2528	RF-1048	RF-1048DK	57-3012	RF-1018	
57-1516	RC-5040	RC-5040DK	57-2529-1	RF-1048	RF-1048DK	57-3013-2	RF-1024	RF-1024DK
57-1517-2	RC-4680	RF-1032DK	57-2530	RC-4780	RC-4780DK	57-3014	E-3750	E-3750PK
57-1518	RC-4690	RC-4690DK	57-2531	RC-4780	RC-4780DK	57-3016-1	RF-1040	RF-1034DK
57-1519	RC-4690	RC-4690DK	57-2532	RC-4940	RC-5173DK	57-3017-2	RF-1035	RF-1035DK
57-1520	RC-4690	RC-4690DK	57-2533	RX-4730	RX-4730DL	57-3020	RF-1038	
57-1521	RC-4630	RC-4630DK	57-2535	RF-1037	RF-1037DK	57-3021-1	RF-1041	RF-1041DK
57-1522	RX-4730	RX-4730DL	57-2536	RF-1048	RF-1048DK	57-3022-2	RF-1050	
57-1525	RC-4780	RC-4780DK	57-2537	RF-1048	RF-1048DK	57-3023-1	RF-1042	RF-1042DK
57-1526	RC-4700	RC-4700DK	57-2538	RF-1020	RF-1020DK	57-3024	RC-4650	RC-4650DK
57-1527-1	RC-4680	RF-1032DK	57-2539	RF-1048	RF-1048DK	57-3025-1	RC-4650	RC-4650DK
57-1528	RC-5060	RC-5060DK	57-2540	RF-1037	RF-1037DK	57-3026	RF-1032	RF-1032DK
57-1529	RF-1040	RF-1034DK	57-2541	RC-5046	RC-5046DK	57-3027	RF-1032	RF-1032DK
57-1530-1	RF-1020	RF-1020DK	57-2542	RC-3690	RC-3690DK	57-3028	E-1240	
57-1531	RP-4660	RP-4660DK	57-2543	RF-1041	RF-1041DK	57-3029	E-1230	
57-1532	RC-4780	RC-4780DK	57-2544	RF-1041	RF-1041DK	57-3030-1	RF-1041	RF-1041DK
57-1533	RF-1040	RF-1034DK	57-2545	RC-5046	RC-5046DK	57-3031-1	RF-1041	RF-1041DK
57-1534	RU-5141	RP-4660DK	57-2546-1	RC-5178		57-3032	RF-1041	RF-1041DK
57-1535	RP-4660	RP-4660DK	57-2548	RC-5046	RC-5046DK	57-3033	RF-1041	RF-1041DK
57-1536	RX-2820	22-8044PK	57-2549	RC-5046	RC-5046DK	57-3034	RC-4900	RC-4900DK
57-1537	RF-1040	RF-1034DK	57-2550	RC-5046	RC-5046DK	57-3035	RP-5070	
57-1538	RC-5138	22-8049DK	57-2551	RF-1020	RF-1020DK	57-3036	RC-4630	RC-4630DK
57-1539	RC-5138	22-8049DK	57-2552	RF-1037	RF-1037DK	57-3037	RP-5103	RP-5103DK
57-1540	RF-1048	RF-1048DK	57-2553	RF-1041	RF-1041DK	57-3038	RF-1041	RF-1041DK
57-1541	RF-1024	RF-1024DK	57-2554	RF-1037	RF-1037DK	57-3039	RF-1040	RF-1034DK
57-1542	RF-1042	RF-1042DK	57-2555	RF-1041	RF-1041DK	57-3040	RF-1048	RF-1048DK
57-1543	RF-1048	RF-1048DK	57-2556	RF-1020	RF-1020DK	57-3041	RP-5105	
57-1544	RF-1048	RF-1048DK	57-2557	RF-1020	RF-1020DK	57-3042	RF-1048	RF-1048DK
57-1545	RF-1048	RF-1048DK	57-2558	RC-5046	RC-5046DK	57-3043	RF-1048	RF-1048DK
57-1546	RF-1048	RF-1048DK	57-2559	RX-4990	RX-4990DK	57-3044	RF-1048	RF-1048DK
57-1547	RF-1048	RF-1048DK	57-2560	RX-4860	RX-4730DK	57-3045	RF-1040	RF-1034DK
57-1548	RF-1048	RF-1048DK	57-2561	RU-4990	RX-4990DK	57-3046	RP-5115	
57-1549	RF-1048	RF-1048DK	57-2562	RC-4630	RC-4630DK	57-3047	RC-4900	RC-4900DK
57-1550	RP-4660	RP-4660DK	57-2563	RF-1041	RF-1041DK	57-3048	RF-1032	RF-1032DK
57-1551	RP-4660	RP-4660DK	57-2564	RF-1048	RF-1048DK	57-3049	RF-1048	RF-1048DK
57-1552	RU-4730	RX-4730DK	57-2565	RF-1048	RF-1048DK	57-3050	RF-1041	RF-1041DK
57-1553	RF-1048	RF-1048DK	57-2566	RF-1048	RF-1048DK	57-3051	RF-1048	RF-1048DK
57-1554	RF-1041	RF-1041DK	57-2567	RC-5046	RC-5046DK	57-3052	RP-5135	RP-5135DK
57-1555	RF-1042	RF-1042DK	57-2568	RF-1020	RF-1020DK	57-3053	RF-1048	RF-1048DK
57-1556	RF-1042	RF-1042DK	57-2569	RF-1041	RF-1041DK	57-3054	RC-2960	22-8049DK
57-1557	RC-5142	RC-5112DK	57-2570	RC-5046	RC-5046DK	57-3055	RP-5115	
57-1558	RF-1048	RF-1048DK	57-2571	RF-1048	RF-1048DK	57-3056	RC-5149	RC-5149DK
57-1559	RF-1048	RF-1048DK	57-2572	RC-5046	RC-5046DK	57-3057	RC-5179	RC-5139DK
57-1560	RU-3570	RX-4990DK	57-2573	RF-1048	RF-1048DK	57-3058	RF-1042	RF-1042DK
57-1561	RF-1044	RF-1020DK	57-2574	RF-1041	RF-1041DK	57-3061	RF-1032	RF-1032DK

Filter Wrap Suffix K = Black, L = Blue, R=Red, Y=Yellow

Visit knfilters.com to see available colors

Intake System Spare Filters and Wraps

Intake System	Spare Filter	Filter Wrap	Intake System	Spare Filter	Filter Wrap	Intake System	Spare Filter	Filter Wrap
57-3062	RU-4730	RX-4730DK	63-1008	RF-1014	RF-1014DK	63-3073	RP-5161	RP-5135DK
57-3063	RF-1042	RF-1042DK	63-1014	RF-1012	RF-1012DK	63-3074	RF-1042	RF-1042DK
57-3066	RC-5179	RC-5139DK	63-1016	RF-1030	RC-4630DK	63-3075	RF-1042	RF-1042DK
57-3067	RF-1042	RF-1042DK	63-1017	RF-1030	RC-4630DK	63-3077	RC-5179	RC-5139DK
57-3068	RC-2960	22-8049DK	63-1019	RC-4400		63-3078	RC-5107	RC-5107DK
57-3069	E-1989	RX-3820PK	63-1043	RC-4700	RC-4700DK	63-3079	RP-5168	
57-3070	RF-1042XD	RF-1042DK	63-1050	RP-5070		63-3080	RP-5161	RP-5135DK
57-3074	33-2434		63-1058	RC-5100	RC-5100DK	63-3081	RP-5285	
57-3075	33-2434		63-1101	RX-4990	RX-4990DK	63-3082	RF-1041	RF-1041DK
57-3077	RC-5179	RC-5139DK	63-1108	RU-4990	RX-4990DK	63-3085	RF-1041	RF-1041DK
57-3078	RC-5107	RC-5107DK	63-1114	RF-1042	RF-1042DK	63-3087	RC-5179	RC-5139DK
57-3079	RP-5168		63-1529	RF-1040	RF-1034DK	63-3088	RF-1042XD	RF-1042DK
57-3500	RF-1007		63-1549	RF-1048	RF-1048DK	63-3514	RP-4980	RC-5149DK
57-3501	RF-1005		63-1552	RU-4730	RX-4730DK	63-5301	RU-4600	22-8036PK
57-3502	RC-2960	22-8049DK	63-1553	RF-1048	RF-1048DK	63-6012	RF-1044	RF-1020DK
57-3503	RF-1007		63-1555	RF-1042	RF-1042DK	63-6014	RF-1014	RF-1014DK
57-3504	RF-1008	RC-5106DK	63-1556	RF-1042	RF-1042DK	63-6015	RC-4180	22-8033PK
57-3506	RF-1013	RF-1036DK	63-1560	RU-3570	RX-4990DK	63-7001	RP-5167	RF-1037DK
57-3509	RF-1030	RC-4630DK	63-1561	RF-1044	RF-1020DK	63-9022	RC-5100	RC-5100DK
57-3512	RC-4550	RF-1023DK	63-1562	RC-5283	RC-5112DK	63-9023	RC-5100	RC-5100DK
57-3513	RP-4970	22-8032PK	63-1563	RF-1041	RF-1041DK	63-9025	RF-1042	RF-1042DK
57-3514	RP-4980	RC-5149DK	63-1564	RF-1042	RF-1042DK	63-9026	RF-1042	RF-1042DK
57-3515	RC-4760	RC-5106DK	63-1565	RF-1042	RF-1042DK	63-9027	RF-1042	RF-1042DK
57-5001	RF-1009	22-8036PK	63-1566	RF-1048	RF-1048DK	63-9028	RF-1042	RF-1042DK
57-5005	RF-1002		63-1567	RU-4990	RX-4990DK	63-9029	RF-1048	RF-1048DK
57-5500	RF-1022		63-1568	33-5005		63-9030	RC-5046	RC-5046DK
57-5504-1	RF-1019		63-1569	RF-1048	RF-1048DK	63-9031-1	RF-1042	RF-1042DK
57-5505	RF-1001	RF-1024DK	63-1570	RC-2960	22-8049DK	63-9032-1	RF-1041	RF-1041DK
57-6000	RC-2960	22-8049DK	63-1571	RF-1042XD	RF-1042DK	63-9033	RF-1020	RF-1020DK
57-6001	RF-1010		63-1700	RC-5062XD	RC-5062DK	63-9034	RF-1048	RF-1048DK
57-6002	RF-1011		63-2565	RF-1048	RF-1048DK	63-9035	RF-1042XD	RF-1042DK
57-6003	RC-2960	22-8049DK	63-2572	RC-5046	RC-5046DK	63-9036	RF-1044	RF-1020DK
57-6005	RX-4750	RF-1042DK	63-2575	RC-5173	RC-5173DK	63-9037	RF-1042XD	RF-1042DK
57-6010	RF-1037	RF-1037DK	63-2577	RC-4381	RF-1036DK	69-0015TR	RU-4870	RX-4730DK
57-6011	RF-1037	RF-1037DK	63-2578	RF-1048	RF-1048DK	69-0015TS	RU-4870	RX-4730DK
57-6012	RF-1044	RF-1020DK	63-2579	RF-1044	RF-1020DK	69-0017TS	RX-4730	RX-4730DL
57-6013	RF-1037	RF-1037DK	63-2580	RC-5173	RC-5173DK	69-0021TB	RU-4870	RX-4730DK
57-6014	RF-1014	RF-1014DK	63-2581	RC-5173	RC-5173DK	69-0021TS	RU-4870	RX-4730DK
57-6015	RC-4180	22-8033PK	63-2582	RC-5282		69-0025TP	RU-4870	RX-4730DK
57-7000	RP-4630	RC-4630DK	63-2583	RC-5173	RC-5173DK	69-0026TS	RC-4630XD	RC-4630DK
57-7001	RP-5167	RF-1037DK	63-2584	RC-5173	RC-5173DK	69-0502TWR	RU-4860	RX-4730DK
57-9000	RF-1002		63-2585	RC-1637		69-1005TB	RC-4290	
57-9001	RF-1009	22-8036PK	63-2586	RC-1637		69-1005TR	RC-4290	
57-9004	RC-2960	22-8049DK	63-2587	RU-4960	RX-4990DK	69-1007TS	RU-4950	RX-4990DK
57-9005	RC-2960	22-8049DK	63-2588	RU-4600	22-8036PK	69-1008TB	RU-4950	RX-4990DK
57-9006	RF-1009	22-8036PK	63-2589	RC-2960	22-8049DK	69-1008TS	RU-4950	RX-4990DK
57-9008	RF-1009	22-8036PK	63-2590	RC-2960	22-8049DK	69-1009TP	RU-4870	RX-4730DK
57-9011	RC-4630	RC-4630DK	63-3037	RP-5103	RP-5103DK	69-1009TR	RU-4870	RX-4730DK
57-9012	RF-1037	RF-1037DK	63-3052	RP-5135	RP-5135DK	69-1009TWR	RU-4870	RX-4730DK
57-9013	RF-1029	RF-1029DK	63-3053	RF-1048	RF-1048DK	69-1011TP	RU-4860	RX-4730DK
57-9014-1	RF-1045	RF-1045DK	63-3056	RC-5149	RC-5149DK	69-1013TS	RU-4950	RX-4990DK
57-9015-1	RC-4700	RC-4700DK	63-3059	RF-1048	RF-1048DK	69-1014TS	RU-5147	RU-5147DK
57-9016-1	RF-1037	RF-1037DK	63-3060-1	RP-5161	RP-5135DK	69-1015TB	RU-4960	RX-4990DK
57-9017	RF-1045	RF-1045DK	63-3062	RU-4730	RX-4730DK	69-1015TP	RU-4960	RX-4990DK
57-9018	RP-4980	RC-5149DK	63-3064-1	RF-1048	RF-1048DK	69-1016-1TS	RU-5163	RU-5163DK
57-9019	RC-4700	RC-4700DK	63-3065	RF-1048	RF-1048DK	69-1017TTK	RC-9630	RC-9350DK
57-9020	RC-5100	RC-5100DK	63-3067	RF-1042	RF-1042DK	69-1018TS	RX-4950	RX-4990DK
57-9021	RC-5100	RC-5100DK	63-3068	RC-2960	22-8049DK	69-1019TS	RU-4600	22-8036PK
57-9024	RF-1029	RF-1029DK	63-3069	E-1989	RX-3820PK	69-1020TS	RU-4600	22-8036PK
57-9027	E-3034		63-3070	RF-1042	RF-1042DK	69-1040TP	RU-4990	RX-4990DK
57-9036	33-5017		63-3071	RC-5138	22-8049DK	69-1040TWR	RU-4990	RX-4990DK
63-1007-1	E-3750	E-3750PK	63-3072	RC-5138	22-8049DK	69-1203TP	RU-4950	RX-4990DK

Filter Wrap Suffix K = Black, L = Blue, R=Red, Y=Yellow

Intake System Spare Filters and Wraps

Intake System	Spare Filter	Filter Wrap	Intake System	Spare Filter	Filter Wrap	Intake System	Spare Filter	Filter Wrap
69-1206TP	RU-4870	RX-4730DK	69-3513TTK	RU-4950	RX-4990DK	69-6000TR	RU-4870	RX-4730DK
69-1207TP	RU-4960	RX-4990DK	69-3514TTK	RU-4960	RX-4990DK	69-6010TR	RU-4950	RX-4990DK
69-1207TR	RU-4960	RX-4990DK	69-3515TS	RU-5176	RX-4990DK	69-6010TS	RU-4950	RX-4990DK
69-1208TS	RU-4950	RX-4990DK	69-3516TTK	RU-4960XD	RX-4990DK	69-6011TS	RU-4960	RX-4990DK
69-1209TS	RU-4870	RX-4730DK	69-3517TS	RC-5284		69-6012TS	RU-4960	RX-4990DK
69-1210TS	RC-4630	RC-4630DK	69-3518TS	RU-4600	22-8036PK	69-6013TTK	RU-4960XD	RX-4990DK
69-1211TTK	RU-3570	RX-4990DK	69-3520TP	RU-5122	RC-5106DK	69-6020TR	RU-4950	RX-4990DK
69-1212TS	RC-4630XD	RC-4630DK	69-3521TP	RF-1036	RF-1036DK	69-6025TS	RU-4870	RX-4730DK
69-1213TS	RU-4960XD	RX-4990DK	69-3522TP	RF-1048	RF-1048DK	69-6026TS	RU-4870	RX-4730DK
69-1302TP	RU-4870	RX-4730DK	69-3523KP	RF-1048	RF-1048DK	69-6027TTK	RU-4870	RX-4730DK
69-1500TP	RC-9310	RC-9310DK	69-3524TP	RF-1036	RF-1036DK	69-6028TTK	RU-4960	RX-4990DK
69-1500TWR	RC-9310	RC-9310DK	69-3525TS	RC-4381	RF-1036DK	69-6030-1TFK	RU-5123	
69-1502TP	RU-4950	RX-4990DK	69-3526TP	RF-1048	RF-1048DK	69-6031TS	RU-4960XD	RX-4990DK
69-1502TS	RU-4950	RX-4990DK	69-3527TP	RF-1048	RF-1048DK	69-6032TS	RU-4990	RX-4990DK
69-2001TS	RP-5113	RU-5147DK	69-3528TS	RF-1048	RF-1048DK	69-6033TTK	RU-4960XD	RX-4990DK
69-2001TWK	RP-5113	RU-5147DK	69-3529TP	RC-2960XD	22-8049DK	69-6501TB	RU-4730	RX-4730DK
69-2003TFK	RU-5147	RU-5147DK	69-3530TS	RC-9630	RC-9350DK	69-6501TP	RU-4730	RX-4730DK
69-2004TTK	RU-4960	RX-4990DK	69-3531TS	RF-1048	RF-1048DK	69-6502TR	RU-4730	RX-4730DK
69-2005TTK	RC-5144	RC-4690DK	69-3532TTK	RU-5122	RC-5106DK	69-6506TR	RU-4730	RX-4730DK
69-2020TP	RC-9350	RC-9350DK	69-3533TTK	RC-9350	RC-9350DK	69-6506TS	RU-4730	RX-4730DK
69-2020TR	RC-9350	RC-9350DK	69-3534TTK	RF-1048	RF-1048DK	69-6540TB	RU-4730	RX-4730DK
69-2021TP	RU-4950	RX-4990DK	69-3536TTK	RC-2960	22-8049DK	69-6540TP	RU-4730	RX-4730DK
69-2022TS	RC-9630	RC-9350DK	69-3537TS	RU-4990	RX-4990DK	69-6543TR	RP-4600	22-8036PK
69-2023TS	RU-4960	RX-4990DK	69-4002TB	RC-9310	RC-9310DK	69-6544TS	RU-4950	RX-4990DK
69-2024TTK	RC-5144	RC-4690DK	69-4510TS	RU-4960	RX-4990DK	69-6545T	RP-4600	22-8036PK
69-2025TS	RU-4960	RX-4990DK	69-4515TS	RU-5147	RU-5147DK	69-6546TWR	RF-1047	
69-2026TTK	RU-5176	RX-4990DK	69-4516TS	RU-4990	RX-4990DK	69-7000TP	RU-4960	RX-4990DK
69-2520TP	RU-4950	RX-4990DK	69-4517TTK	RU-5147	RU-5147DK	69-7000TR	RU-4960	RX-4990DK
69-2520TR	RU-4950	RX-4990DK	69-4518TTK	RC-4470	RC-4700DK	69-7001TTK	RU-3700	22-8014PK
69-2521TB	RU-4950	RX-4990DK	69-4519TP	RF-1042	RF-1042DK	69-7002TTK	RC-2960	22-8049DK
69-2521TP	RU-4950	RX-4990DK	69-4520TP	RF-1042	RF-1042DK	69-7003TTK	RC-5128	
69-2526TP	RF-1042	RF-1042DK	69-4521TS	RU-5147	RU-5147DK	69-7060TS	RU-4870	RX-4730DK
69-2527TTR	RF-1048	RF-1048DK	69-4522TS	RU-5147	RU-5147DK	69-7061TS	RU-4990	RX-4990DK
69-2528TTK	RF-1048	RF-1048DK	69-4523TP	RC-5107	RC-5107DK	69-7062TTK	RU-4990	RX-4990DK
69-2541TB	RU-4950	RX-4990DK	69-4524TS	RU-4960XD	RX-4990DK	69-7063TTK	RF-1048	RF-1048DK
69-2541TP	RU-4950	RX-4990DK	69-4525TS	RU-4960XD	RX-4990DK	69-7064TS	RX-4730XD	RX-4730DL
69-2542TS	RU-4860	RX-4730DK	69-4526TS	RF-1048	RF-1048DK	69-7070TB	RU-4990	RX-4990DK
69-2543TTK	RU-4730	RX-4730DK	69-4527TS	RC-2960XD	22-8049DK	69-7070TP	RU-4990	RX-4990DK
69-2544TP	RF-1042	RF-1042DK	69-4528TS	RC-5107	RC-5107DK	69-7071TS	RU-4960	RX-4990DK
69-2545TP	RF-1042	RF-1042DK	69-4529TS	RU-4960	RX-4990DK	69-7075TS	RU-4600	22-8036PK
69-2546TS	RF-1048	RF-1048DK	69-4531TTK	RU-5176	RX-4990DK	69-7076TS	RU-4600	22-8036PK
69-2547TS	RU-4990	RX-4990DK	69-4532TTK	RU-5176	RX-4990DK	69-7078TS	RU-4960XD	RX-4990DK
69-2548TS	RU-3560		69-4900TB	RC-9350	RC-9350DK	69-7079TS	RC-5128	
69-2549TS	RU-4960	RX-4990DK	69-4900TS	RC-9350	RC-9350DK	69-7080-1TS	RU-4730	RX-4730DK
69-2550TTK	RF-1041	RF-1041DK	69-5300TR	RU-4870	RX-4730DK	69-7081-1TS	RU-4960	RX-4990DK
69-3002TS	RC-9350	RC-9350DK	69-5300TS	RU-4870	RX-4730DK	69-7082TS	RU-4960	RX-4990DK
69-3300TP	RU-4960	RX-4990DK	69-5301TTK	RC-5138	22-8049DK	69-7083TS	RU-4960XD	RX-4990DK
69-3300TR	RU-4960	RX-4990DK	69-5302TTK	RP-4600	22-8036PK	69-7200TP	RC-5138	22-8049DK
69-3300TS	RU-4960	RX-4990DK	69-5303TS	RU-4600	22-8036PK	69-7201TP	RF-1048	RF-1048DK
69-3301TB	RU-4950	RX-4990DK	69-5304TS	RU-4600	22-8036PK	69-7202-1TTK	RF-1023	22-8033PK
69-3301TP	RU-4950	RX-4990DK	69-5305TP	RU-4870	RX-4730DK	69-7501TB	RC-9630	RC-9350DK
69-3301TS	RU-4950	RX-4990DK	69-5306TS	RU-4990	RX-4990DK	69-7501TS	RC-9630	RC-9350DK
69-3302TB	RC-9310	RC-9310DK	69-5307TTK	RU-4600	22-8036PK	69-7502TB	RC-5136	RC-9310DK
69-3302TP	RC-9310	RC-9310DK	69-5308TS	RU-4600	22-8036PK	69-7502TP	RC-5136	RC-9310DK
69-3302TS	RC-9310	RC-9310DK	69-5309TS	RF-1048	RF-1048DK	69-7502TS	RC-5136	RC-9310DK
69-3303TS	RC-9800		69-5310TS	RC-5138	22-8049DK	69-7503TB	RC-9310	RC-9310DK
69-3500TB	RU-4990	RX-4990DK	69-5311TTK	RC-4630XD	RC-4630DK	69-7503TS	RC-9310	RC-9310DK
69-3510TB	RU-4860	RX-4730DK	69-5312TS	RU-4990	RX-4990DK	69-7505TP	RC-9350	RC-9350DK
69-3510TP	RU-4860	RX-4730DK	69-5313TS	RU-4600	22-8036PK	69-7505TS	RC-9350	RC-9350DK
69-3511TP	RU-4960	RX-4990DK	69-5314TS	RU-4600	22-8036PK	69-7800TB	RU-5090	RC-9310DK
69-3511TR	RU-4960	RX-4990DK	69-5315TS	RU-4600	22-8036PK	69-7800TS	RU-5090	RC-9310DK
69-3512TR	RU-4950	RX-4990DK	69-6000TP	RU-4870	RX-4730DK	69-8001TS	RP-5113	RU-5147DK

Filter Wrap Suffix K = Black, L = Blue, R=Red, Y=Yellow

Visit knfilters.com to see available colors

Intake System Spare Filters and Wraps

Intake System	Spare Filter	Filter Wrap	Intake System	Spare Filter	Filter Wrap	Intake System	Spare Filter	Filter Wrap
69-8001TWR	RP-5113	RU-5147DK	69-9502TB	RP-5118	RC-3690DK	77-2575KS	RF-1048	RF-1048DK
69-8002TS	RP-5113	RU-5147DK	69-9502TP	RP-5118	RC-3690DK	77-2576KTK	RC-2960XDE	
69-8003TFK	RP-5113	RU-5147DK	69-9503TFK	RU-4960	RX-4990DK	77-2577KTK	RC-5173	RC-5173DK
69-8004TTK	RP-5113	RU-5147DK	69-9504TTK	RX-4730XD	RX-4730DL	77-2578KS	RF-1048	RF-1048DK
69-8005TWR	RP-5113	RU-5147DK	69-9505T	RF-1047		77-2579KTK	RF-1044XD	RF-1020DR
69-8006TTK	RU-4960	RX-4990DK	69-9506TTK	RC-9350	RC-9350DK	77-2580KP	RC-5173	RC-5173DK
69-8007TWR	RU-4870	RX-4730DK	69-9508T	RU-3570	RX-4990DK	77-2581KP	RC-5173	RC-5173DK
69-8250TS	RU-4990	RX-4990DK	69-9509TTK	RU-4990	RX-4990DK	77-2582KTK	RC-5173	RC-5173DK
69-8250TWR	RU-4990	RX-4990DK	69-9752TP	RU-4960	RX-4990DK	77-2583KS	RF-1048	RF-1048DK
69-8251TB	RC-9350	RC-9350DK	69-9756TFK	RU-4960	RX-4990DK	77-2584KP	RC-5173	RC-5173DK
69-8251TS	RC-9350	RC-9350DK	71-1532	RU-5171HBK	RC-5112DK	77-2585KS	RC-5173	RC-5173DK
69-8400TR	RU-4960	RX-4990DK	71-1557	RU-5171HBK	RC-5112DK	77-2586KS	RF-1048	RF-1048DK
69-8400TS	RU-4960	RX-4990DK	71-1561	RU-3101HBK		77-2587KS	RF-1048	RF-1048DK
69-8431TP	RU-4990	RX-4990DK	71-1562	RU-5283HBK	RC-5112DK	77-2591KP	RC-5173	RC-5173DK
69-8432TS	RU-4990	RX-4990DK	71-1566	RU-3102HBK		77-3000KS	RF-1037	RF-1037DK
69-8433TTK	RP-5182		71-2545	RU-3102HBK		77-3021KP	RC-5046	RC-5046DK
69-8520TR	RU-4870	RX-4730DK	71-2556	RU-3101HBK		77-3023KP	RC-5046	RC-5046DK
69-8520TS	RU-4870	RX-4730DK	71-2576	RU-5283HBK	RC-5112DK	77-3031KP	RC-5046	RC-5046DK
69-8522TS	RU-4870	RX-4730DK	71-2582	RU-5177HBK	RC-5139DK	77-3034KP	RC-5112	RC-5112DK
69-8600TP	RU-4960	RX-4990DK	71-2584	RU-3102HBK		77-3036KP	RU-4730	RX-4730DK
69-8600TR	RU-4960	RX-4990DK	71-2591	RU-3102HBK		77-3037KP	RF-1041	RF-1041DK
69-8601TP	RU-4960	RX-4990DK	71-3058	RU-3102HBK		77-3043KP	RF-1048	RF-1048DK
69-8601TR	RU-4960	RX-4990DK	71-3066	RU-5177HBK	RC-5139DK	77-3044KP	RF-1048	RF-1048DK
69-8605TS	RU-4860	RX-4730DK	71-3070	RU-3101HBK		77-3047KP	RC-5112	RC-5112DK
69-8606TB	RU-4950	RX-4990DK	71-3082	RU-3101HBK		77-3050KP	RF-1041	RF-1041DK
69-8606TP	RU-4950	RX-4990DK	71-3088	RU-3101HBK		77-3058KP	RF-1042	RF-1042DK
69-8607TB	RU-4960	RX-4990DK	71-3527	RU-3102HBK		77-3062KP	RU-4730	RX-4730DK
69-8607TS	RU-4960	RX-4990DK	71-4519	RU-3102HBK		77-3063KTK	RC-5165	RC-5165DK
69-8608TFK	E-3038		77-1513KP	RF-1045	RF-1045DK	77-3064KTK	RC-5181	RF-1026DK
69-8609TTK	RU-4960	RX-4990DK	77-1516KP	RU-4990	RX-4990DK	77-3065KP	RF-1048	RF-1048DK
69-8610TTK	RU-4990	RX-4990DK	77-1526KP	RU-4870	RX-4730DK	77-3070KP	RF-1042	RF-1042DK
69-8611TS	RU-4990	RX-4990DK	77-1529KP	RC-5106	RC-5106DK	77-3071KS	RC-5138	22-8049DK
69-8612TFK	RU-5174	RX-4990DK	77-1533KP	RC-3690	RC-3690DK	77-3076KTK	RF-1042XD	RF-1042DK
69-8613TS	RU-3570	RX-4990DK	77-1538KP	RC-3690	RC-3690DK	77-3077KP	RC-5179	RC-5139DK
69-8614TS	RU-4860	RX-4730DK	77-1539KP	RC-3690	RC-3690DK	77-3078KTK	RC-2960	22-8049DK
69-8615TS	RC-4630	RC-4630DK	77-1540KP	RF-1048	RF-1048DK	77-3082KP	RF-1041	RF-1041DK
69-8616TS	RP-4600	22-8036PK	77-1545KP	RF-1048	RF-1048DK	77-3085KP	RF-1041	RF-1041DK
69-8617TTK	RU-4990	RX-4990DK	77-1546KP	RF-1048	RF-1048DK	77-3086KTK	RF-1041	RF-1041DK
69-8618TS	RU-4990	RX-4990DK	77-1548KP	RF-1048	RF-1048DK	77-3087KP	RC-5179	RC-5139DK
69-8619TS	RC-4630XD	RC-4630DK	77-1549KP	RF-1048	RF-1048DK	77-3088KP	RF-1042XD	RF-1042DK
69-8620TTK	RF-1048	RF-1048DK	77-1553KP	RU-4730	RX-4730DK	77-3515KP	RC-4470	RC-4700DK
69-8700TP	RU-4960	RX-4990DK	77-1554KP	RF-1041	RF-1041DK	77-6012KP	RC-5046	RC-5046DK
69-8701TP	RU-5176	RX-4990DK	77-1560KTK	RF-1041	RF-1041DK	77-6014-1KP	RF-1014	RF-1014DK
69-8702TP	RU-4990	RX-4990DK	77-1561KP	RF-1044	RF-1020DK	77-6016KS	RC-4381	RF-1036DK
69-8703TS	RT-4600	22-8036PK	77-1562KTK	RF-1042	RF-1042DK	77-9015KP	RF-1042	RF-1042DK
69-8704TP	33-2452		77-1563KP	RF-1041	RF-1041DK	77-9016KP	RF-1037	RF-1037DK
69-8750TR	RU-4870	RX-4730DK	77-1564KS	RF-1042	RF-1042DK	77-9020KP	RC-2960	22-8049DK
69-8750TS	RU-4870	RX-4730DK	77-1566KP	RF-1048	RF-1048DK	77-9022KP	RF-1048	RF-1048DK
69-8751TP	RU-4960	RX-4990DK	77-1567KS	RF-1042	RF-1042DK	77-9023KP	RF-1048	RF-1048DK
69-8751TR	RU-4960	RX-4990DK	77-1568KTK	RF-1048	RF-1048DK	77-9025KP	RF-1048	RF-1048DK
69-8752TR	RU-4870	RX-4730DK	77-1569KS	RF-1048	RF-1048DK	77-9026KP	RF-1042	RF-1042DK
69-8752TS	RU-4870	RX-4730DK	77-2514KP	RC-5046	RC-5046DK	77-9027KP	RF-1042	RF-1042DK
69-8753TR	RC-5144	RC-4690DK	77-2529KP	RF-1048	RF-1048DK	77-9028KP	RF-1042	RF-1042DK
69-8753TS	RC-5144	RC-4690DK	77-2550KP	RC-5107	RC-5107DK	77-9029KP	RF-1048	RF-1048DK
69-8754TP	RU-4960	RX-4990DK	77-2552KP	RF-1037	RF-1037DK	77-9030KP	RF-1048	RF-1048DK
69-8754TR	RU-4960	RX-4990DK	77-2556KP	RC-5046	RC-5046DK	77-9031-1KP	RF-1042	RF-1042DK
69-8756TB	RU-4950	RX-4990DK	77-2557KP	RF-1020	RF-1020DK	77-9032-1KP	RU-5045	RU-5045DK
69-8756TP	RU-4950	RX-4990DK	77-2561KP	RF-1048	RF-1048DK	77-9033KP	RF-1020	RF-1020DK
69-8757TTK	RU-4960XD	RX-4990DK	77-2569KP	RF-1041	RF-1041DK	77-9034KP	RF-1048	RF-1048DK
69-9000TS	RU-4730	RX-4730DK	77-2570KTK	RC-5046	RC-5046DK	77-9035KP	RF-1042XD	RF-1042DK
69-9501TB	RU-4960	RX-4990DK	77-2573KP	RF-1048	RF-1048DK	77-9036KP	RF-1044	RF-1020DK
69-9501TP	RU-4960	RX-4990DK	77-2574KS	RF-1042	RF-1042DK	77-9037KP	RF-1042XD	RF-1042DK

Filter Wrap Suffix K = Black, L = Blue, R=Red, Y=Yellow

AIR INTAKE SYSTEMS

ACURA

Vehicle	Engine Type	Part Number	Estimated Horsepower*	Vehicle	Engine Type	Part Number	Estimated Horsepower*
2015 ACURA				2005 ACURA			
ILX	2.4L L4 F/I	69-1019TS ²	10.6 @ 5400	RSX	2.0L L4 F/I	69-0015TR ¹	2.8 @ 6500
TLX	3.5L V6 F/I	69-1212TS ²	7.4 @ 5429	RSX Type-S	2.0L L4 F/I	69-1009TR ¹	10.5 @ 7014
2014 ACURA						69-1009TP ¹	10.5 @ 7014
ILX	2.4L L4 F/I	69-1019TS ¹	10.6 @ 5400			69-1009TWR ¹	10.5 @ 7014
TL	3.5L V6 F/I	69-1210TS ¹	10.2 @ 5217	TL	3.2L V6 F/I	69-0021TS ¹	6.8 @ 5501
TSX	2.4L L4 F/I	69-0026TS ¹	7.9 @ 5400			69-0021TB ¹	6.8 @ 5501
2013 ACURA				TSX	2.4L L4 F/I	69-0025TP ¹	4.2 @ 5300
ILX	2.4L L4 F/I	69-1019TS ¹	10.6 @ 5400	2004 ACURA			
TL	3.5L V6 F/I	69-1210TS ¹	10.2 @ 5217	EL	1.7L L4 F/I	69-1008TS ²	5.0 @ 5200
TSX	2.4L L4 F/I	69-0026TS ¹	7.9 @ 5400			69-1008TB ²	5.0 @ 5200
2012 ACURA				RSX	2.0L L4 F/I	69-0015TS ¹	2.8 @ 6500
TL	3.5L V6 F/I	69-1210TS ¹	10.2 @ 5217			69-0015TR ¹	2.8 @ 6500
TSX	2.4L L4 F/I	69-0026TS ¹	7.9 @ 5400	RSX Type-S	2.0L L4 F/I	69-1009TWR ¹	10.5 @ 7014
2011 ACURA						69-1009TP ¹	10.5 @ 7014
RDX	2.3L L4 F/I	69-0017TS ¹	8.8 @ 5047	TL	3.2L V6 F/I	69-0021TS ¹	6.8 @ 5501
TL	3.5L V6 F/I - w/Mass Air	69-1210TS ¹	10.2 @ 5217			69-0021TB ¹	6.8 @ 5501
TSX	2.4L L4 F/I	69-0026TS ¹	7.9 @ 5400	TSX	2.4L L4 F/I	69-0025TP ¹	4.2 @ 5300
2010 ACURA				2003 ACURA			
RDX	2.3L L4 F/I	69-0017TS ¹	8.8 @ 5047	EL	1.7L L4 F/I	69-1008TB ²	5.0 @ 5200
TL	3.5L V6 F/I - w/Mass Air	69-1210TS ¹	10.2 @ 5217			69-1008TS ²	5.0 @ 5200
TL	3.7L V6 F/I - w/Mass Air	69-1210TS ¹	10.2 @ 5217	RSX	2.0L L4 F/I	69-0015TR ¹	2.8 @ 6500
TSX	2.4L L4 F/I	69-0026TS ¹	7.9 @ 5400			69-0015TS ¹	2.8 @ 6500
2009 ACURA				RSX Type-S	2.0L L4 F/I	69-1009TR ¹	10.5 @ 7014
RDX	2.3L L4 F/I	69-0017TS ¹	8.8 @ 5047			69-1009TP ¹	10.5 @ 7014
TL	3.5L V6 F/I - w/Mass Air	69-1210TS ¹	10.2 @ 5217	2002 ACURA			
TL	3.7L V6 F/I	69-1210TS ¹	10.2 @ 5217	EL	1.7L L4 F/I	69-1008TS ²	5.0 @ 5200
TSX	2.4L L4 F/I	69-0026TS ¹	7.9 @ 5400			69-1008TB ²	5.0 @ 5200
2008 ACURA				RSX	2.0L L4 F/I	69-0015TS ¹	2.8 @ 6500
RDX	2.3L L4 F/I	69-0017TS ¹	8.8 @ 5047			69-0015TR ¹	2.8 @ 6500
TL	3.2L V6 F/I	69-0021TB ¹	6.8 @ 5501	RSX Type-S	2.0L L4 F/I	69-1009TP ¹	10.5 @ 7014
		69-0021TS ¹	6.8 @ 5501			69-1009TWR ¹	10.5 @ 7014
TL	3.5L V6 F/I - w/Mass Air	69-1210TS ¹	10.2 @ 5217			69-1009TR ¹	10.5 @ 7014
TSX	2.4L L4 F/I	69-0025TP ¹	4.2 @ 5300	2001 ACURA			
2007 ACURA				EL	1.7L L4 F/I	69-1008TB ²	5.0 @ 5200
RDX	2.3L L4 F/I	69-0017TS ¹	8.8 @ 5047			69-1008TS ²	5.0 @ 5200
TL	3.2L V6 F/I	69-0021TS ¹	6.8 @ 5501	Integra GS-R	1.8L L4 F/I	57-3509 ¹	5.5 @ 7200
		69-0021TB ¹	6.8 @ 5501	2000 ACURA			
TL	3.5L V6 F/I - w/Mass Air	69-1210TS ¹	10.2 @ 5217	Integra GS-R	1.8L L4 F/I	57-3509 ¹	5.5 @ 7200
TSX	2.4L L4 F/I	69-0025TP ¹	4.2 @ 5300	1999 ACURA			
2006 ACURA				Integra GS-R	1.8L L4 F/I	57-3509 ¹	5.5 @ 7200
RSX	2.0L L4 F/I	69-0015TS ¹	2.8 @ 6500	1998 ACURA			
		69-0015TR ¹	2.8 @ 6500	Integra GS-R	1.8L L4 F/I	57-3509 ¹	5.5 @ 7200
RSX Type-S	2.0L L4 F/I	69-1009TWR ¹	10.5 @ 7014	1997 ACURA			
		69-1009TR ¹	10.5 @ 7014	Integra GS-R	1.8L L4 F/I	57-3509 ¹	5.5 @ 7200
		69-1009TP ¹	10.5 @ 7014	1996 ACURA			
TL	3.2L V6 F/I	69-0021TB ¹	6.8 @ 5501	Integra GS-R	1.8L L4 F/I	57-3509 ¹	5.5 @ 7200
		69-0021TS ¹	6.8 @ 5501	1995 ACURA			
TSX	2.4L L4 F/I	69-0025TP ¹	4.2 @ 5300	Integra	1.8L L4 F/I	57-3506 ¹	6.1 @ 6300
2005 ACURA				Integra GS-R	1.8L L4 F/I	57-3509 ¹	5.5 @ 7200
EL	1.7L L4 F/I	69-1008TS ²	5.0 @ 5200				
		69-1008TB ²	5.0 @ 5200				
RSX	2.0L L4 F/I	69-0015TS ¹	2.8 @ 6500				

1) Street legal in all US states. 2) Not legal for sale or use on any pollution controlled motor vehicle in California or states adopting California emission procedures.

* Estimated horsepower gains are based on specific or similar vehicle dyno tests. Results will vary. See Page 478 for more information. Partial Listing - Complete List of Vehicles and Applications at knfilters.com. See page 5 for information on intake tube materials/colors.

ACURA

AIR INTAKE SYSTEMS

Vehicle	Engine Type	Part Number	Estimated Horsepower*	Vehicle	Engine Type	Part Number	Estimated Horsepower*
1994 ACURA				2003 ALFA ROMEO			
Integra	1.8L L4 F/I	57-3506 ¹	6.1 @ 6300	147	1.6L L4 F/I	69-0500TS ²	
Integra GS-R	1.8L L4 F/I	57-3509 ¹	5.5 @ 7200			69-0500TWR ²	
NSX	3.0L V6 F/I	57-3502 ¹		147	2.0L L4 F/I	69-0500TS ²	
1993 ACURA						69-0500TWR ²	
Integra	1.8L L4 F/I	57-3501 ¹		156	1.6L L4 F/I	69-0502TWR ²	
Integra GS-R	1.7L L4 F/I	57-3501 ¹		156	1.8L L4 F/I	69-0502TWR ²	
NSX	3.0L V6 F/I	57-3502 ¹		2002 ALFA ROMEO			
1992 ACURA				147	1.6L L4 F/I	69-0500TS ²	
Integra	1.8L L4 F/I	57-3501 ¹				69-0500TWR ²	
Integra GS-R	1.7L L4 F/I	57-3501 ¹		147	2.0L L4 F/I	69-0500TS ²	
NSX	3.0L V6 F/I	57-3502 ¹				69-0500TWR ²	
1991 ACURA				156	1.6L L4 F/I	69-0502TWR ²	
Integra	1.8L L4 F/I	57-3501 ¹		156	1.8L L4 F/I	69-0502TWR ²	
NSX	3.0L V6 F/I	57-3502 ¹		156	2.0L L4 F/I	69-0502TWR ²	
1990 ACURA				2001 ALFA ROMEO			
Integra	1.8L L4 F/I	57-3501 ¹		147	1.6L L4 F/I	69-0500TS ²	
1989 ACURA						69-0500TWR ²	
Integra	1.6L L4 F/I	57-3500 ¹		147	2.0L L4 F/I	69-0500TS ²	
1988 ACURA						69-0500TWR ²	
Integra	1.6L L4 F/I	57-3500 ¹		156	1.6L L4 F/I	69-0502TWR ²	
1987 ACURA				156	1.8L L4 F/I	69-0502TWR ²	
Integra	1.6L L4 F/I	57-3500 ¹		156	2.0L L4 F/I	69-0502TWR ²	
1986 ACURA				2000 ALFA ROMEO			
Integra	1.6L L4 F/I	57-3500 ¹		147	1.6L L4 F/I	69-0500TWR ²	
2008 ALFA ROMEO						69-0500TS ²	
147	1.6L L4 F/I	69-0500TWR ²		147	2.0L L4 F/I	69-0500TWR ²	
147	2.0L L4 F/I	69-0500TWR ²				69-0500TS ²	
2007 ALFA ROMEO				156	1.6L L4 F/I	69-0502TWR ²	
147	1.6L L4 F/I	69-0500TWR ²		156	1.8L L4 F/I	69-0502TWR ²	
147	2.0L L4 F/I	69-0500TS ²		156	2.0L L4 F/I	69-0502TWR ²	
		69-0500TWR ²		1999 ALFA ROMEO			
2006 ALFA ROMEO				156	1.6L L4 F/I	69-0502TWR ²	
147	1.6L L4 F/I	69-0500TWR ²		156	1.8L L4 F/I	69-0502TWR ²	
147	2.0L L4 F/I	69-0500TWR ²		156	2.0L L4 F/I	69-0502TWR ²	
		69-0500TS ²		1998 ALFA ROMEO			
156	1.6L L4 F/I	69-0502TWR ²		156	1.6L L4 F/I	69-0502TWR ²	
156	1.8L L4 F/I	69-0502TWR ²		156	1.8L L4 F/I	69-0502TWR ²	
		69-0502TWR ²		156	2.0L L4 F/I	69-0502TWR ²	
2005 ALFA ROMEO				1997 ALFA ROMEO			
147	1.6L L4 F/I	69-0500TWR ²		156	1.6L L4 F/I	69-0502TWR ²	
		69-0500TS ²		156	1.8L L4 F/I	69-0502TWR ²	
147	2.0L L4 F/I	69-0500TWR ²		156	2.0L L4 F/I	69-0502TWR ²	
		69-0500TS ²		2015 AUDI			
156	1.6L L4 F/I	69-0502TWR ²		A4	2.0L L4 F/I	69-9508T ²	15.5 @ 3600
156	1.8L L4 F/I	69-0502TWR ²		A5	2.0L L4 F/I	69-9508T ²	15.5 @ 3600
		69-0502TWR ²		A6	2.0L L4 F/I	69-9508T ²	15.5 @ 3600
2004 ALFA ROMEO				2014 AUDI			
147	1.6L L4 F/I	69-0500TS ²		A4	2.0L L4 F/I	69-9508T ²	15.5 @ 3600
		69-0500TWR ²		A5	2.0L L4 F/I	69-9508T ²	15.5 @ 3600
147	2.0L L4 F/I	69-0500TWR ²		A6	2.0L L4 F/I	69-9508T ²	15.5 @ 3600
		69-0500TS ²				69-9508T ²	15.5 @ 3600
156	1.6L L4 F/I	69-0502TWR ²				69-9508T ²	15.5 @ 3600
156	1.8L L4 F/I	69-0502TWR ²				69-9508T ²	15.5 @ 3600

1) Street legal in all US states. 2) Not legal for sale or use on any pollution controlled motor vehicle in California or states adopting California emission procedures.

* Estimated horsepower gains are based on specific or similar vehicle dyno tests. Results will vary. See Page 478 for more information. Partial Listing - Complete List of Vehicles and Applications at knfilters.com. See page 5 for information on intake tube materials/colors.

AIR INTAKE SYSTEMS

AUDI

Vehicle	Engine Type	Part Number	Estimated Horsepower*	Vehicle	Engine Type	Part Number	Estimated Horsepower*
2013 AUDI				2008 AUDI			
A3	2.0L L4 F/I - US, Exc. LEV2 SULEV Test Group DAD XV02.03PA	69-9504TTK ¹	9.2 @ 4853	A3	1.8L L4 F/I	69-9756TFK ²	3.3 @ 3400
A4	2.0L L4 F/I - Non-US, Exc. Right Hand Drive	69-9505T ²	13.6 @ 4500	A3	1.9L L4 DSL	69-9756TFK ²	3.3 @ 3400
A4	2.0L L4 F/I - US	69-9505T ¹	13.6 @ 4500	A3	2.0L L4 DSL	69-9756TFK ²	3.3 @ 3400
2012 AUDI				2007 AUDI			
A3	1.8L L4 F/I	69-9756TFK ²	3.3 @ 3400	A3	1.8L L4 F/I	69-9756TFK ²	3.3 @ 3400
A3	2.0L L4 DSL	69-9756TFK ²	3.3 @ 3400	A3	1.9L L4 DSL	69-9756TFK ²	3.3 @ 3400
A3	2.0L L4 F/I - Non-US	69-9756TFK ²	3.3 @ 3400	A3	2.0L L4 DSL	69-9756TFK ²	3.3 @ 3400
A3	2.0L L4 F/I - US, Exc. LEV2 SULEV Test Group CAD XV02.03PA	69-9504TTK ¹	9.2 @ 4853	A3	2.0L L4 F/I - Turbo	69-9503TFK ¹	18.6 @ 4500
A4	2.0L L4 F/I - Non-US, Exc. Right Hand Drive	69-9505T ²	13.6 @ 4500	A3	2.0L L4 F/I - Turbo, 200BHP	69-9503TFK ²	18.6 @ 4500
A4	2.0L L4 F/I - US	69-9505T ¹	13.6 @ 4500	A3	2.0L L4 F/I - Turbo, 200BHP	69-9503TFK ²	18.6 @ 4500
2011 AUDI				2006 AUDI			
A3	1.6L L4 DSL	69-9756TFK ²	3.3 @ 3400	A3	1.9L L4 DSL	69-9756TFK ²	3.3 @ 3400
A3	1.8L L4 F/I	69-9756TFK ²	3.3 @ 3400	A3	2.0L L4 DSL	69-9756TFK ²	3.3 @ 3400
A3	2.0L L4 DSL	69-9756TFK ²	3.3 @ 3400	A3	2.0L L4 F/I - Turbo	69-9503TFK ¹	18.6 @ 4500
A3	2.0L L4 F/I - 211BHP	69-9756TFK ²	3.3 @ 3400	A3	2.0L L4 F/I - Turbo, 200BHP	69-9503TFK ²	18.6 @ 4500
A3	2.0L L4 F/I - US, Exc. LEV2 SULEV Test Group BAD XV02.03PA	69-9504TTK ¹	9.2 @ 4853	A3	2.0L L4 F/I - Turbo, 200BHP	69-9503TFK ²	18.6 @ 4500
A4	2.0L L4 F/I - Non-US, Exc. Right Hand Drive	69-9505T ²	13.6 @ 4500	A3	2.0L L4 F/I - Turbo, 200BHP	69-9503TFK ²	18.6 @ 4500
A4	2.0L L4 F/I - US	69-9505T ¹	13.6 @ 4500	2005 AUDI			
2010 AUDI				2004 AUDI			
A3	1.6L L4 DSL	69-9756TFK ²	3.3 @ 3400	A3	1.9L L4 DSL	69-9756TFK ²	3.3 @ 3400
A3	1.8L L4 F/I	69-9756TFK ²	3.3 @ 3400	A3	2.0L L4 DSL	69-9756TFK ²	3.3 @ 3400
A3	1.9L L4 DSL	69-9756TFK ²	3.3 @ 3400	A3	2.0L L4 F/I - Turbo	69-9503TFK ²	18.6 @ 4500
A3	2.0L L4 DSL	69-9756TFK ²	3.3 @ 3400	A3	2.0L L4 F/I - Turbo	69-9503TFK ²	18.6 @ 4500
A3	2.0L L4 F/I - Non-US	69-9756TFK ²	3.3 @ 3400	2003 AUDI			
A3	2.0L L4 F/I - US, Exc. LEV2 SULEV Test Group AAD XV02.03PA	69-9504TTK ¹	9.2 @ 4853	A3	1.8L L4 F/I - 150/180BHP, w/Aux. Air Pump	69-9501TP ²	10.0 @ 5079
A4	2.0L L4 F/I - Non-US, Exc. Right Hand Drive	69-9505T ²	18.1 @ 4435			69-9501TB ²	10.0 @ 5079
A4	2.0L L4 F/I - US	69-9505T ¹	18.1 @ 4435	2002 AUDI			
A4 Cabriolet	2.0L L4 F/I - Non-US, Exc. Right Hand Drive	69-9505T ²	13.6 @ 4500	A3	1.8L L4 F/I - 150/180BHP, w/Aux. Air Pump	69-9501TP ²	10.0 @ 5079
A4 Quattro	2.0L L4 F/I - Non-US	69-9505T ²	13.6 @ 4500			69-9501TB ²	10.0 @ 5079
A4 Quattro Cabriolet	2.0L L4 F/I - Non-US	69-9505T ²	13.6 @ 4500	2001 AUDI			
2009 AUDI				2000 AUDI			
A3	1.6L L4 DSL	69-9756TFK ²	3.3 @ 3400	A3	1.8L L4 F/I - 150/180BHP, w/Aux. Air Pump	69-9501TB ²	10.0 @ 5079
A3	1.8L L4 F/I	69-9756TFK ²	3.3 @ 3400	1999 AUDI			
A3	1.9L L4 DSL	69-9756TFK ²	3.3 @ 3400	1998 AUDI			
A3	2.0L L4 DSL	69-9756TFK ²	3.3 @ 3400	1997 AUDI			
A3	2.0L L4 F/I - Non-US	69-9756TFK ²	3.3 @ 3400	1996 AUDI			
A3	2.0L L4 F/I - US, Exc. LEV2 SULEV Test Group 9AD XV02.03PA	69-9504TTK ¹	9.2 @ 4853	1995 AUDI			
A4	2.0L L4 F/I - Non-US, Exc. Right Hand Drive	69-9505T ²	13.6 @ 4500	1994 AUDI			
A4	2.0L L4 F/I - US	69-9505T ¹	13.6 @ 4500	1993 AUDI			
A4 Cabriolet	2.0L L4 F/I - Non-US, Exc. Right Hand Drive	69-9505T ²	13.6 @ 4500	1992 AUDI			
A4 Quattro	2.0L L4 F/I - Non-US, Exc. Right Hand Drive	69-9505T ²	13.6 @ 4500	1991 AUDI			
A4 Quattro Cabriolet	2.0L L4 F/I - Non-US, Exc. Right Hand Drive	69-9505T ²	13.6 @ 4500	1990 AUDI			
TT	2.0L L4 DSL	69-9756TFK ²	3.3 @ 3400	1989 AUDI			

1) Street legal in all US states. 2) Not legal for sale or use on any pollution controlled motor vehicle in California or states adopting California emission procedures.

* Estimated horsepower gains are based on specific or similar vehicle dyno tests. Results will vary. See Page 478 for more information. Partial Listing - Complete List of Vehicles and Applications at knfilters.com. See page 5 for information on intake tube materials/colors.

AUDI

AIR INTAKE SYSTEMS

Vehicle	Engine Type	Part Number	Estimated Horsepower*	Vehicle	Engine Type	Part Number	Estimated Horsepower*
2001 AUDI				2003 BMW			
A3	1.8L L4 F/I - 150/180BHP, w/Aux. Air Pump	69-9501TP ²	10.0 @ 5079	325Ci	2.5L L6 F/I - US	57-1002 ¹	9.7 @ 6090
2000 AUDI				325i	2.5L L6 F/I - US	57-1002 ¹	9.7 @ 6090
A3	1.8L L4 F/I - 150/180BHP, w/Aux. Air Pump	69-9501TP ²	10.0 @ 5079	325Xi	2.5L L6 F/I - US	57-1002 ¹	9.7 @ 6090
		69-9501TB ²	10.0 @ 5079	330Ci	3.0L L6 F/I - US	57-1001 ¹	11.5 @ 6030
2015 BMW				330i	3.0L L6 F/I - US	57-1001 ¹	11.5 @ 6030
335i	3.0L L6 F/I	69-2027TS ²		330Xi	3.0L L6 F/I - US	57-1001 ¹	11.5 @ 6030
2014 BMW				M3	3.2L L6 F/I	57-1003 ¹	17.8 @ 7400
335i	3.0L L6 F/I	69-2027TS ²		M3	3.2L L6 F/I - US	69-2001TS ¹	9.1 @ 6000
2013 BMW						69-2001TWK ¹	9.1 @ 6000
335i	3.0L L6 F/I	69-2027TS ²		2002 BMW			
335i Coupe	3.0L L6 F/I	69-2027TS ²		325Ci	2.5L L6 F/I - US	57-1002 ¹	9.7 @ 6090
2012 BMW				325i	2.5L L6 F/I - US	57-1002 ¹	9.7 @ 6090
335i	3.0L L6 F/I	69-2027TS ²		325Xi	2.5L L6 F/I - US	57-1002 ¹	9.7 @ 6090
2008 BMW				330Ci	3.0L L6 F/I - US	57-1001 ¹	11.5 @ 6030
M5	5.0L V10 F/I - Non-US	69-2003TFK ²	20.8 @ 5700	330i	3.0L L6 F/I - US	57-1001 ¹	11.5 @ 6030
M6	5.0L V10 F/I - Non-US	69-2003TFK ²	20.8 @ 5700	330Xi	3.0L L6 F/I - US	57-1001 ¹	11.5 @ 6030
2007 BMW				M3	3.2L L6 F/I	57-1003 ¹	17.8 @ 7400
M5	5.0L V10 F/I	69-2003TFK ²	20.8 @ 5700	M3	3.2L L6 F/I - US	69-2001TS ¹	9.1 @ 6000
M6	5.0L V10 F/I - Non-US	69-2003TFK ²	20.8 @ 5700			69-2001TWK ¹	9.1 @ 6000
2006 BMW				2001 BMW			
M5	5.0L V10 F/I	69-2003TFK ²	20.8 @ 5700	325Ci	2.5L L6 F/I - US	57-1002 ¹	9.7 @ 6090
M6	5.0L V10 F/I - Non-US	69-2003TFK ²	20.8 @ 5700	325i	2.5L L6 F/I - US	57-1002 ¹	9.7 @ 6090
2005 BMW				330Ci	3.0L L6 F/I - US	57-1001 ¹	11.5 @ 6030
325Ci	2.5L L6 F/I - US, Exc. PZEV Eng. Family 5BMXV02.5M56	57-1002 ¹	9.7 @ 6090	330i	3.0L L6 F/I - US	57-1001 ¹	11.5 @ 6030
325i	2.5L L6 F/I - US, Exc. PZEV Eng. Family 5BMXV02.5M56	57-1002 ¹	9.7 @ 6090	M3	3.2L L6 F/I	57-1003 ¹	17.8 @ 7400
325Xi	2.5L L6 F/I - US	57-1002 ¹	9.7 @ 6090	M3	3.2L L6 F/I - US	69-2001TS ¹	9.1 @ 6000
330Ci	3.0L L6 F/I - US	57-1001 ¹	11.5 @ 6030			69-2001TWK ¹	9.1 @ 6000
330i	3.0L L6 F/I - US	57-1001 ¹	11.5 @ 6030	2000 BMW			
330Xi	3.0L L6 F/I - US	57-1001 ¹	11.5 @ 6030	323Ci	2.5L L6 F/I - US	57-1002 ¹	9.7 @ 6090
M3	3.2L L6 F/I	57-1003 ¹	17.8 @ 7400	323i	2.5L L6 F/I - US	57-1002 ¹	9.7 @ 6090
M3	3.2L L6 F/I - US	69-2001TWK ¹	9.1 @ 6000	328Ci	2.8L L6 F/I - US	57-1002 ¹	9.7 @ 6090
		69-2001TS ¹	9.1 @ 6000	328i	2.8L L6 F/I - US	57-1002 ¹	9.7 @ 6090
M5	5.0L V10 F/I	69-2003TFK ²	20.8 @ 5700	1999 BMW			
M6	5.0L V10 F/I	69-2003TFK ²	20.8 @ 5700	323Ci	2.5L L6 F/I - US	57-1002 ¹	9.7 @ 6090
2004 BMW				323Ci	2.5L L6 F/I - US, E36	57-1000 ¹	8.7 @ 6300
325Ci	2.5L L6 F/I - US	57-1002 ¹	9.7 @ 6090	323i	2.5L L6 F/I - E46	57-1002 ¹	9.7 @ 6090
325i	2.5L L6 F/I - US	57-1002 ¹	9.7 @ 6090	323iS	2.5L L6 F/I - US, E36	57-1000 ¹	8.7 @ 6300
325Xi	2.5L L6 F/I - US	57-1002 ¹	9.7 @ 6090	328i	2.8L L6 F/I - US, E36	57-1000 ¹	8.7 @ 6300
330Ci	3.0L L6 F/I - US	57-1001 ¹	11.5 @ 6030	328i	2.8L L6 F/I - US, E46	57-1002 ¹	9.7 @ 6090
330i	3.0L L6 F/I - US	57-1001 ¹	11.5 @ 6030	328ic	2.8L L6 F/I - US, E36	57-1000 ¹	8.7 @ 6300
330Xi	3.0L L6 F/I - US	57-1001 ¹	11.5 @ 6030	328iS	2.8L L6 F/I - US, E36	57-1000 ¹	8.7 @ 6300
M3	3.2L L6 F/I	57-1003 ¹	17.8 @ 7400	M3	3.2L L6 F/I - US	57-1000 ¹	8.7 @ 6300
M3	3.2L L6 F/I - US	69-2001TWK ¹	9.1 @ 6000	1998 BMW			
		69-2001TS ¹	9.1 @ 6000	323Ci	2.5L L6 F/I - US, E36	57-1000 ¹	8.7 @ 6300
2003 BMW				323iS	2.5L L6 F/I - US, E36	57-1000 ¹	8.7 @ 6300
325Ci	2.5L L6 F/I - US	57-1002 ¹	9.7 @ 6090	328Ci	2.8L L6 F/I - US, E36	57-1000 ¹	8.7 @ 6300
325i	2.5L L6 F/I - US	57-1002 ¹	9.7 @ 6090	328i	2.8L L6 F/I - US	57-1000 ¹	8.7 @ 6300
325Xi	2.5L L6 F/I - US	57-1002 ¹	9.7 @ 6090	328ic	2.8L L6 F/I - US	57-1000 ¹	8.7 @ 6300
330Ci	3.0L L6 F/I - US	57-1001 ¹	11.5 @ 6030	328iS	2.8L L6 F/I - US, E36	57-1000 ¹	8.7 @ 6300
330i	3.0L L6 F/I - US	57-1001 ¹	11.5 @ 6030	M3	3.2L L6 F/I - US	57-1000 ¹	8.7 @ 6300
330Xi	3.0L L6 F/I - US	57-1001 ¹	11.5 @ 6030	1997 BMW			
M3	3.2L L6 F/I	57-1003 ¹	17.8 @ 7400	323iS	2.5L L6 F/I - US, E36	57-1000 ¹	8.7 @ 6300
M3	3.2L L6 F/I - US	69-2001TWK ¹	9.1 @ 6000	328Ci	2.8L L6 F/I - US, E36	57-1000 ¹	8.7 @ 6300
		69-2001TS ¹	9.1 @ 6000	328i	2.8L L6 F/I - US	57-1000 ¹	8.7 @ 6300

1) Street legal in all US states. 2) Not legal for sale or use on any pollution controlled motor vehicle in California or states adopting California emission procedures.

* Estimated horsepower gains are based on specific or similar vehicle dyno tests. Results will vary. See Page 478 for more information. Partial Listing - Complete List of Vehicles and Applications at knfilters.com. See page 5 for information on intake tube materials/colors.

AIR INTAKE SYSTEMS

BMW

Vehicle	Engine Type	Part Number	Estimated Horsepower*	Vehicle	Engine Type	Part Number	Estimated Horsepower*
1997 BMW				2014 CADILLAC			
328iS	2.8L L6 F/I - US, E36	57-1000 ¹	8.7 @ 6300	ATS	2.5L L4 F/I	57-3083 ²	5.5 @ 5332
M3	3.2L L6 F/I - US	57-1000 ¹	8.7 @ 6300			63-3083 ²	8.3 @ 5332
1996 BMW				2013 CADILLAC			
328Ci	2.8L L6 F/I - US, E36	57-1000 ¹	8.7 @ 6300	ATS	2.5L L4 F/I	57-3083 ²	5.5 @ 5332
328i	2.8L L6 F/I - US	57-1000 ¹	8.7 @ 6300			63-3083 ²	8.3 @ 5332
328iS	2.8L L6 F/I - US, E36	57-1000 ¹	8.7 @ 6300	CTS-V	6.2L V8 F/I	69-4530TS ²	
M3	3.2L L6 F/I - US	57-1000 ¹	8.7 @ 6300	Escalade	6.2L V8 F/I	63-3086 ²	
1995 BMW				2012 CADILLAC			
325Ci	2.5L L6 F/I - US, E36	57-1000 ¹	8.7 @ 6300	Escalade	6.2L V8 F/I	69-4530TS ²	
325i	2.5L L6 F/I - US	57-1000 ¹	8.7 @ 6300			63-3086 ²	
325iS	2.5L L6 F/I - US, E36	57-1000 ¹	8.7 @ 6300	Escalade ESV	6.2L V8 F/I	77-3070KP ¹	9.9 @ 5342
328Ci	2.8L L6 F/I - US, E36	57-1000 ¹	8.7 @ 6300			57-3070 ¹	10.3 @ 5342
M3	3.0L L6 F/I - US	57-1000 ¹	8.7 @ 6300			71-3070 ¹	12.2 @ 5342
1994 BMW				2011 CADILLAC			
325Ci	2.5L L6 F/I - US, E36	57-1000 ¹	8.7 @ 6300	Escalade	6.2L V8 F/I	63-3070 ²	10.3 @ 5342
325i	2.5L L6 F/I - US	57-1000 ¹	8.7 @ 6300			71-3070 ¹	12.2 @ 5342
325iS	2.5L L6 F/I - US, E36	57-1000 ¹	8.7 @ 6300	Escalade EXT	6.2L V8 F/I	63-3070 ²	10.3 @ 5342
1993 BMW				2010 CADILLAC			
325Ci	2.5L L6 F/I - US, E36	57-1000 ¹	8.7 @ 6300	CTS	3.0L V6 F/I	69-4527TS ¹	11.5 @ 6605
325i	2.5L L6 F/I - US	57-1000 ¹	8.7 @ 6300	CTS	3.6L V6 F/I	69-4527TS ¹	11.5 @ 6605
325iS	2.5L L6 F/I - US	57-1000 ¹	8.7 @ 6300	CTS-V	6.2L V8 F/I	63-3086 ²	
1992 BMW				2009 CADILLAC			
325Ci	2.5L L6 F/I - US, E36	57-1000 ¹	8.7 @ 6300	Escalade	6.2L V8 F/I	69-4530TS ²	
325i	2.5L L6 F/I - US	57-1000 ¹	8.7 @ 6300			63-3070 ²	10.3 @ 5342
325iS	2.5L L6 F/I - US, E36	57-1000 ¹	8.7 @ 6300	Escalade ESV	6.2L V8 F/I	77-3070KP ¹	9.9 @ 5342
2013 BUICK				2008 CADILLAC			
Regal	2.0L L4 F/I	69-4532TTK ²	15.9 @ 4887	Escalade	6.2L V8 F/I	57-3070 ¹	10.3 @ 5342
2012 BUICK				2007 CADILLAC			
Regal	2.0L L4 F/I	69-4532TTK ²	15.9 @ 4887	Escalade EXT	6.2L V8 F/I	57-3070 ¹	10.3 @ 5342
2011 BUICK				2006 CADILLAC			
Regal	2.0L L4 F/I	69-4532TTK ²	15.9 @ 4887	Escalade	6.2L V8 F/I	71-3070 ¹	12.2 @ 5342
2016 CADILLAC				2005 CADILLAC			
Escalade	6.2L V8 F/I	71-3082 ²	8.3 @ 5338	Escalade	6.2L V8 F/I	77-3070KP ¹	9.9 @ 5342
		63-3082 ²	10.7 @ 5341			63-3070 ²	10.3 @ 5342
		77-3082KP ²	10.2 @ 4996	Escalade EXT	6.2L V8 F/I	57-3070 ¹	10.3 @ 5342
Escalade ESV	6.2L V8 F/I	77-3082KP ²	10.2 @ 4996			71-3070 ¹	12.2 @ 5342
		63-3082 ²	10.7 @ 5341			77-3070KP ¹	9.9 @ 5342
		71-3082 ²	8.3 @ 5338			63-3070 ²	10.3 @ 5342
2015 CADILLAC				2004 CADILLAC			
ATS	2.5L L4 F/I	57-3083 ²	5.5 @ 5332	Escalade	6.2L V8 F/I	57-3070 ¹	10.3 @ 5342
		63-3083 ²	8.3 @ 5332			71-3070 ¹	12.2 @ 5342
CTS-V	6.2L V8 F/I	63-3086 ²		Escalade EXT	6.2L V8 F/I	77-3070KP ¹	9.9 @ 5342
		69-4530TS ²				63-3070 ²	10.3 @ 5342
Escalade	6.2L V8 F/I	57-3082 ¹				57-3070 ¹	10.3 @ 5342
		71-3082 ¹	8.3 @ 5338			71-3070 ¹	12.2 @ 5342
		77-3082KP ¹	10.2 @ 4996			77-3070KP ¹	9.9 @ 5342
		63-3082 ²	10.7 @ 5341			63-3070 ²	10.3 @ 5342
Escalade ESV	6.2L V8 F/I	57-3082 ¹				57-3070 ¹	10.3 @ 5342
		63-3082 ²	10.7 @ 5341			71-3070 ¹	12.2 @ 5342
		71-3082 ¹	8.3 @ 5338			77-3070KP ¹	9.9 @ 5342
		77-3082KP ¹	10.2 @ 4996			63-3070 ²	10.3 @ 5342
2014 CADILLAC				2003 CADILLAC			
ATS	2.5L L4 F/I	57-3083 ²	5.5 @ 5332	Escalade	6.2L V8 F/I	63-3070 ²	10.3 @ 5342
		63-3083 ²	8.3 @ 5332				
CTS-V	6.2L V8 F/I	63-3086 ²					
		69-4530TS ²					
Escalade	6.2L V8 F/I	77-3070KP ¹	9.9 @ 5342				
		57-3070 ¹	10.3 @ 5342				
		71-3070 ¹	12.2 @ 5342				
		63-3070 ²	10.3 @ 5342				
Escalade ESV	6.2L V8 F/I	71-3070 ¹	12.2 @ 5342				
		63-3070 ²	10.3 @ 5342				
		71-3070 ¹	12.2 @ 5342				
		63-3070 ²	10.3 @ 5342				
Escalade EXT	6.2L V8 F/I	77-3070KP ¹	9.9 @ 5342				
		57-3070 ¹	10.3 @ 5342				
		71-3070 ¹	12.2 @ 5342				
		63-3070 ²	10.3 @ 5342				
Escalade EXT	6.2L V8 F/I	63-3070 ²	10.3 @ 5342				
		77-3070KP ¹	9.9 @ 5342				
		57-3070 ¹	10.3 @ 5342				
		71-3070 ¹	12.2 @ 5342				
		63-3070 ²	10.3 @ 5342				
Escalade EXT	6.2L V8 F/I	71-3070 ¹	12.2 @ 5342				
		63-3070 ²	10.3 @ 5342				
		77-3070KP ¹	9.9 @ 5342				
		57-3070 ¹	10.3 @ 5342				
		71-3070 ¹	12.2 @ 5342				
		63-3070 ²	10.3 @ 5342				
Escalade EXT	6.2L V8 F/I	71-3070 ¹	12.2 @ 5342				
		63-3070 ²	10.3 @ 5342				
		77-3070KP ¹	9.9 @ 5342				
		57-3070 ¹	10.3 @ 5342				
		71-3070 ¹	12.2 @ 5342				
		63-3070 ²	10.3 @ 5342				
Escalade EXT	6.2L V8 F/I	71-3070 ¹	12.2 @ 5342				
		63-3070 ²	10.3 @ 5342				
		77-3070KP ¹	9.9 @ 5342				
		57-3070 ¹	10.3 @ 5342				
		71-3070 ¹	12.2 @ 5342				
		63-3070 ²	10.3 @ 5342				
Escalade EXT	6.2L V8 F/I	71-3070 ¹	12.2 @ 5342				
		63-3070 ²	10.3 @ 5342				
		77-3070KP ¹	9.9 @ 5342				
		57-3070 ¹	10.3 @ 5342				
		71-3070 ¹	12.2 @ 5342				
		63-3070 ²	10.3 @ 5342				
Escalade EXT	6.2L V8 F/I	71-3070 ¹	12.2 @ 5342				
		63-3070 ²	10.3 @ 5342				
		77-3070KP ¹	9.9 @ 5342				
		57-3070 ¹	10.3 @ 5342				
		71-3070 ¹	12.2 @ 5342				
		63-3070 ²	10.3 @ 5342				
Escalade EXT	6.2L V8 F/I	71-3070 ¹	12.2 @ 5342				
		63-3070 ²	10.3 @ 5342				
		77-3070KP ¹	9.9 @ 5342				
		57-3070 ¹	10.3 @ 5342				
		71-3070 ¹	12.2 @ 5342				
		63-3070 ²	10.3 @ 5342				
Escalade EXT	6.2L V8 F/I	71-3070 ¹	12.2 @ 5342				
		63-3070 ²	10.3 @ 5342				
		77-3070KP ¹	9.9 @ 5342				
		57-3070 ¹	10.3 @ 5342				
		71-3070 ¹	12.2 @ 5342				
		63-3070 ²	10.3 @ 5342				

1) Street legal in all US states. 2) Not legal for sale or use on any pollution controlled motor vehicle in California or states adopting California emission procedures.

* Estimated horsepower gains are based on specific or similar vehicle dyno tests. Results will vary. See Page 478 for more information. Partial Listing - Complete List of Vehicles and Applications at knfilters.com. See page 5 for information on intake tube materials/colors.

CADILLAC

AIR INTAKE SYSTEMS

Vehicle	Engine Type	Part Number	Estimated Horsepower*	Vehicle	Engine Type	Part Number	Estimated Horsepower*
2011 CADILLAC				2007 CADILLAC			
Escalade ESV	6.2L V8 F/I	77-3070KP ¹	9.9 @ 5342	Escalade	6.2L V8 F/I	71-3058 ¹	10.2 @ 4900
		71-3070 ¹	12.2 @ 5342	Escalade ESV	6.2L V8 F/I	71-3058 ¹	10.2 @ 4900
		57-3070 ¹	10.3 @ 5342			57-3058 ¹	17.6 @ 4917
Escalade EXT	6.2L V8 F/I	71-3070 ¹	12.2 @ 5342	Escalade EXT	6.2L V8 F/I	77-3058KP ¹	12.5 @ 4917
		77-3070KP ¹	9.9 @ 5342			77-3058KP ¹	12.5 @ 4917
		57-3070 ¹	10.3 @ 5342			57-3058 ¹	17.6 @ 4917
		63-3070 ²	10.3 @ 5342			71-3058 ¹	10.2 @ 4900
2010 CADILLAC				2006 CADILLAC			
CTS	3.6L V6 F/I	69-4528TS ²	12.3 @ 6508	CTS	2.8L V6 F/I	57-3042 ¹	14.2 @ 6283
CTS-V	6.2L V8 F/I	63-3086 ²		CTS	3.6L V6 F/I	57-3042 ¹	14.2 @ 6283
		69-4530TS ²		CTS-V	6.0L V8 F/I	57-3068 ¹	17.1 @ 5117
						63-3068 ²	17.1 @ 5117
Escalade	6.2L V8 F/I	57-3070 ¹	10.3 @ 5342	Escalade	6.0L V8 F/I	77-3050KP ¹	8.4 @ 5336
		63-3070 ²	10.3 @ 5342			57-3050 ¹	11.9 @ 5367
		71-3070 ¹	12.2 @ 5342	Escalade ESV	6.0L V8 F/I	77-3050KP ¹	8.4 @ 5336
		77-3070KP ¹	9.9 @ 5342	Escalade EXT	6.0L V8 F/I	77-3050KP ¹	8.4 @ 5336
Escalade ESV	6.2L V8 F/I	63-3070 ²	10.3 @ 5342			57-3050 ¹	11.9 @ 5367
		57-3070 ¹	10.3 @ 5342			77-3050KP ¹	8.4 @ 5336
		71-3070 ¹	12.2 @ 5342			77-3050KP ¹	8.4 @ 5336
		77-3070KP ¹	9.9 @ 5342			57-3050 ¹	11.9 @ 5367
Escalade EXT	6.2L V8 F/I	77-3070KP ¹	9.9 @ 5342	2005 CADILLAC			
		71-3070 ¹	12.2 @ 5342	CTS	2.8L V6 F/I	57-3042 ¹	14.2 @ 6283
		57-3070 ¹	10.3 @ 5342	CTS	3.6L V6 F/I	57-3042 ¹	14.2 @ 6283
		63-3070 ²	10.3 @ 5342	CTS-V	5.7L V8 F/I	57-3054 ¹	19.1 @ 5100
Escalade	6.0L V8 F/I			Escalade	5.3L V8 F/I	57-3050 ¹	11.9 @ 5367
						77-3050KP ¹	8.4 @ 5336
				Escalade	6.0L V8 F/I	57-3050 ¹	11.9 @ 5367
				Escalade ESV	6.0L V8 F/I	57-3050 ¹	11.9 @ 5367
Escalade EXT	6.0L V8 F/I			Escalade EXT	6.0L V8 F/I	77-3050KP ¹	8.4 @ 5336
						77-3050KP ¹	8.4 @ 5336
						57-3050 ¹	11.9 @ 5367
						57-3050 ¹	11.9 @ 5367
2009 CADILLAC				2004 CADILLAC			
CTS	3.6L V6 F/I	69-4528TS ²	12.3 @ 6508	CTS	3.2L V6 F/I	57-3040 ¹	12.9 @ 6048
CTS-V	6.2L V8 F/I	69-4530TS ²		CTS	3.6L V6 F/I	57-3042 ¹	14.2 @ 6283
		63-3086 ²		CTS-V	5.7L V8 F/I	57-3054 ¹	19.1 @ 5100
				Escalade	5.3L V8 F/I	57-3023-1 ¹	14.3 @ 5018
Escalade	6.2L V8 F/I	71-3070 ¹	12.2 @ 5342	Escalade	6.0L V8 F/I	77-3023KP ¹	8.2 @ 5067
		57-3070 ¹	10.3 @ 5342			77-3023KP ¹	8.2 @ 5067
		63-3070 ²	10.3 @ 5342	Escalade	6.0L V8 F/I	57-3023-1 ¹	14.3 @ 5018
		77-3070KP ¹	9.9 @ 5342	Escalade	6.0L V8 F/I	77-3023KP ¹	8.2 @ 5067
Escalade ESV	6.2L V8 F/I	77-3070KP ¹	9.9 @ 5342	Escalade	6.0L V8 F/I	77-3023-1 ¹	14.3 @ 5018
		57-3070 ¹	10.3 @ 5342			57-3023-1 ¹	14.3 @ 5018
		63-3070 ²	10.3 @ 5342	Escalade	6.0L V8 F/I	77-3023KP ¹	8.2 @ 5067
		71-3070 ¹	12.2 @ 5342	Escalade	6.0L V8 F/I	57-3023-1 ¹	14.3 @ 5018
Escalade EXT	6.2L V8 F/I	71-3070 ¹	12.2 @ 5342	Escalade	6.0L V8 F/I	77-3023KP ¹	8.2 @ 5067
		57-3070 ¹	10.3 @ 5342			57-3023-1 ¹	14.3 @ 5018
		77-3070KP ¹	9.9 @ 5342	Escalade	6.0L V8 F/I	77-3023KP ¹	8.2 @ 5067
		63-3070 ²	10.3 @ 5342	Escalade	6.0L V8 F/I	57-3023-1 ¹	14.3 @ 5018
2008 CADILLAC				2003 CADILLAC			
CTS	3.6L V6 F/I	69-4528TS ²	12.3 @ 6508	CTS	3.2L V6 F/I	57-3040 ¹	12.9 @ 6048
Escalade	6.2L V8 F/I	71-3058 ¹	10.2 @ 4900	Escalade	5.3L V8 F/I	77-3023KP ¹	8.2 @ 5067
		77-3058KP ¹	12.5 @ 4917			57-3023-1 ¹	14.3 @ 5018
		57-3058 ¹	17.6 @ 4917	Escalade	6.0L V8 F/I	77-3023KP ¹	14.1 @ 4897
Escalade ESV	6.2L V8 F/I	71-3058 ¹	10.2 @ 4900			57-3023-1 ¹	14.3 @ 5018
		77-3058KP ¹	12.5 @ 4917	Escalade	6.0L V8 F/I	77-3023-1 ¹	14.3 @ 5018
		57-3058 ¹	17.6 @ 4917	Escalade	6.0L V8 F/I	77-3023-1 ¹	14.3 @ 5018
		71-3058 ¹	10.2 @ 4900	Escalade	6.0L V8 F/I	77-3023-1 ¹	14.3 @ 5018
Escalade EXT	6.2L V8 F/I	77-3058KP ¹	12.5 @ 4917	Escalade	6.0L V8 F/I	77-3023KP ¹	14.1 @ 4897
		57-3058 ¹	17.6 @ 4917			57-3023-1 ¹	14.3 @ 5018
				Escalade	6.0L V8 F/I	57-3023-1 ¹	14.3 @ 5018
				Escalade	6.0L V8 F/I	77-3023KP ¹	14.1 @ 4897
2007 CADILLAC				2002 CADILLAC			
CTS-V	6.0L V8 F/I	57-3068 ¹	17.1 @ 5117	Escalade	5.3L V8 F/I	57-3023-1 ¹	14.3 @ 5018
Escalade	6.2L V8 F/I	63-3068 ²	17.1 @ 5117				
		57-3058 ¹	17.6 @ 4917				
		77-3058KP ¹	12.5 @ 4917				

1) Street legal in all US states. 2) Not legal for sale or use on any pollution controlled motor vehicle in California or states adopting California emission procedures.

* Estimated horsepower gains are based on specific or similar vehicle dyno tests. Results will vary. See Page 478 for more information. Partial Listing - Complete List of Vehicles and Applications at knfilters.com. See page 5 for information on intake tube materials/colors.

AIR INTAKE SYSTEMS

CADILLAC

Vehicle	Engine Type	Part Number	Estimated Horsepower*	Vehicle	Engine Type	Part Number	Estimated Horsepower*
2002 CADILLAC				2015 CHEVROLET			
Escalade	5.3L V8 F/I	77-3023KP ¹	8.2 @ 5067	SS	6.2L V8 F/I	63-3071 ²	10.4 @ 4707
Escalade	6.0L V8 F/I	57-3023-1 ¹	14.3 @ 5018	Suburban	5.3L V8 F/I	57-3082 ¹	
		77-3023KP ¹	8.2 @ 5067			63-3082 ²	10.7 @ 5341
2016 CHEVROLET						77-3082KP ¹	10.2 @ 4996
Colorado	3.6L V6 F/I	63-3088 ²	19.4 @ 3551	Tahoe	5.3L V8 F/I	71-3082 ¹	8.3 @ 5338
		71-3088 ²	15.7 @ 5823			77-3082KP ¹	13.5 @ 5341
		77-3088KP ²	10.3 @ 5823			71-3082 ¹	8.3 @ 5338
Corvette Z06	6.2L V8 F/I	63-3090 ²	50.7 @ 5340			63-3082 ²	15.4 @ 5341
Cruze	1.4L L4 F/I	69-4521TS ²	6.5 @ 5000	2014 CHEVROLET			
Cruze Limited	1.4L L4 F/I	69-4521TS ²	6.5 @ 5000	Camaro	3.6L V6 F/I	63-3078 ²	11.4 @ 5800
Equinox	2.4L L4 F/I	77-3071KS ²	9.3 @ 4600			57-3078 ¹	13.1 @ 5800
Malibu	2.5L L4 F/I	69-4529TS ²	8.2 @ 6321	Camaro SS	6.2L V8 F/I	69-4523TP ¹	15.6 @ 5800
Silverado 1500	5.3L V8 F/I	71-3082 ²	8.3 @ 5338			57-3075 ¹	4.8 @ 6045
		63-3082 ²	10.7 @ 5341	Camaro SS	6.2L V8 F/I	63-3074 ²	18.6 @ 5161
		77-3082KP ²	10.2 @ 4996			57-3074 ¹	6.5 @ 5844
Silverado 2500 HD	6.6L V8 DSL	63-3087 ²	24.1 @ 2950	Camaro ZL1	6.2L V8 F/I	71-4519 ²	17.6 @ 5191
		77-3087KP ²	19.9 @ 2950			69-4519TP ²	18.1 @ 5200
Silverado 3500 HD	6.6L V8 DSL	63-3087 ²	24.1 @ 2950	Camaro ZL1	6.2L V8 F/I	63-3079 ²	31.7 @ 4300
		77-3087KP ²	19.9 @ 2950			57-3079 ¹	
Sonic	1.4L L4 F/I	69-4524TS ²	7.0 @ 5474	Corvette	6.2L V8 F/I	63-3081 ²	12.5 @ 4998
Sonic	1.8L L4 F/I	69-4525TS ²	5.1 @ 6003	Cruze	1.4L L4 F/I	69-4521TS ¹	6.5 @ 5000
Suburban	5.3L V8 F/I	71-3082 ²	8.3 @ 5338	Cruze	1.8L L4 F/I - US	69-4522TS ²	5.7 @ 5940
		77-3082KP ²	10.2 @ 4996	Cruze	2.0L L4 DSL	69-4531TTK ²	12.6 @ 3188
		63-3082 ²	10.7 @ 5341	Equinox	2.4L L4 F/I	77-3071KS ²	9.3 @ 4600
Tahoe	5.3L V8 F/I	71-3082 ²	8.3 @ 5338	Impala Limited	3.6L V6 F/I	69-4526TS ²	11.7 @ 6218
		77-3082KP ²	10.2 @ 4996	Malibu	2.5L L4 F/I	69-4529TS ²	8.2 @ 6321
		63-3082 ²	10.7 @ 5341	Silverado 1500	4.3L V6 F/I	77-3085KP ²	10.0 @ 5285
2015 CHEVROLET						63-3085 ²	10.2 @ 5245
Camaro	3.6L V6 F/I	63-3078 ²	11.4 @ 5800	Silverado 1500	5.3L V8 F/I	63-3082 ²	10.7 @ 5341
		69-4523TP ²	15.6 @ 5800			71-3082 ¹	8.3 @ 5338
Camaro SS	6.2L V8 F/I	63-3074 ²	18.6 @ 5161			57-3082 ¹	
		69-4519TP ²	18.1 @ 5200	Silverado 1500	6.2L V8 F/I	77-3082KP ¹	12.3 @ 5237
		71-4519 ²	17.6 @ 5191			57-3082 ¹	
Colorado	3.6L V6 F/I	77-3088KP ²	10.3 @ 5823			71-3082 ¹	9.1 @ 4996
		71-3088 ²	15.7 @ 5823			63-3082 ²	13.8 @ 5227
		63-3088 ²	19.4 @ 3551	Silverado 2500 HD	6.6L V8 DSL	77-3082KP ¹	10.2 @ 4996
Corvette	6.2L V8 F/I	63-3081 ²	12.5 @ 4998			63-3077 ²	19.3 @ 2420
Corvette Z06	6.2L V8 F/I	63-3090 ²	50.7 @ 5340			57-3077 ¹	19.3 @ 2420
Cruze	1.4L L4 F/I	69-4521TS ²	6.5 @ 5000	Silverado 3500 HD	6.6L V8 DSL	77-3077KP ¹	12.2 @ 2850
Cruze	2.0L L4 DSL	69-4531TTK ²	12.6 @ 3188			63-3077 ²	19.3 @ 2420
Equinox	2.4L L4 F/I	77-3071KS ²	9.3 @ 4600			57-3077 ¹	19.3 @ 2420
Malibu	2.5L L4 F/I	69-4529TS ²	8.2 @ 6321	Sonic	1.4L L4 F/I	77-3077KP ¹	12.2 @ 2850
Silverado 1500	5.3L V8 F/I	77-3082KP ²	10.2 @ 4996	Sonic	1.8L L4 F/I	69-4524TS ²	7.0 @ 5474
		71-3082 ²	8.3 @ 5338	SS	6.2L V8 F/I	69-4525TS ²	5.1 @ 6003
		63-3082 ²	10.7 @ 5341	Suburban 1500	5.3L V8 F/I	63-3071 ²	10.4 @ 4707
Silverado 1500	6.2L V8 F/I	63-3082 ²	10.7 @ 5341			63-3070 ²	10.3 @ 5342
		77-3082KP ²	10.2 @ 4996			57-3070 ¹	10.3 @ 5342
		71-3082 ²	8.3 @ 5338			77-3070KP ¹	9.9 @ 5342
Silverado 2500 HD	6.0L V8 F/I	77-3086KTK ²	9.5 @ 4950	Tahoe	5.3L V8 F/I	71-3070 ¹	12.2 @ 5342
Silverado 2500 HD	6.6L V8 DSL	77-3087KP ²	19.9 @ 2950			63-3070 ²	10.3 @ 5342
		63-3087 ²	24.1 @ 2950			71-3070 ¹	12.2 @ 5342
Silverado 3500 HD	6.0L V8 F/I	77-3086KTK ²	9.5 @ 4950			57-3070 ¹	10.3 @ 5342
Silverado 3500 HD	6.6L V8 DSL	77-3087KP ²	19.9 @ 2950			77-3070KP ¹	9.9 @ 5342
		63-3087 ²	24.1 @ 2950	2013 CHEVROLET			
Sonic	1.4L L4 F/I	69-4524TS ²	7.0 @ 5474	Avalanche	5.3L V8 F/I	71-3070 ¹	12.2 @ 5342
Sonic	1.8L L4 F/I	69-4525TS ²	5.1 @ 6003				

1) Street legal in all US states. 2) Not legal for sale or use on any pollution controlled motor vehicle in California or states adopting California emission procedures.

* Estimated horsepower gains are based on specific or similar vehicle dyno tests. Results will vary. See Page 478 for more information. Partial Listing - Complete List of Vehicles and Applications at knfilters.com. See page 5 for information on intake tube materials/colors.

CHEVROLET

AIR INTAKE SYSTEMS

Vehicle	Engine Type	Part Number	Estimated Horsepower*	Vehicle	Engine Type	Part Number	Estimated Horsepower*
2013 CHEVROLET				2012 CHEVROLET			
Avalanche	5.3L V8 F/I	57-3070 ¹	10.3 @ 5342	Camaro	3.6L V6 F/I	57-3078 ¹	13.1 @ 5800
		63-3070 ²	10.3 @ 5342			69-4523TP ¹	15.6 @ 5800
		77-3070KP ¹	9.9 @ 5342	Camaro SS	6.2L V8 F/I	57-3074 ¹	6.5 @ 5844
Camaro	3.6L V6 F/I	57-3078 ¹	13.1 @ 5800			69-4519TP ²	18.1 @ 5200
		57-3075 ¹	4.8 @ 6045			63-3074 ²	18.6 @ 5161
		69-4523TP ¹	15.6 @ 5800	Camaro ZL1	6.2L V8 F/I	71-4519 ²	17.6 @ 5191
		63-3078 ²	11.4 @ 5800			63-3079 ²	31.7 @ 4300
Camaro SS	6.2L V8 F/I	71-4519 ²	17.6 @ 5191	Colorado	2.9L L4 F/I	63-3064-1 ²	9.0 @ 4862
		57-3074 ¹	6.5 @ 5844	Colorado	3.7L L5 F/I	63-3065 ²	11.0 @ 4754
		69-4519TP ²	18.1 @ 5200			77-3065KP ²	7.2 @ 4533
		63-3074 ²	18.6 @ 5161	Corvette	6.2L V8 F/I	63-3073 ²	17.7 @ 4750
Camaro ZL1	6.2L V8 F/I	63-3079 ²	31.7 @ 4300	Corvette ZR1	6.2L V8 F/I	63-3080 ²	27.1 @ 5948
Corvette	6.2L V8 F/I	63-3073 ²	17.7 @ 4750			69-4521TS ¹	6.5 @ 5000
Corvette ZR1	6.2L V8 F/I	63-3080 ²	27.1 @ 5948	Cruze	1.4L L4 F/I	69-4522TS ¹	5.7 @ 5940
Cruze	1.4L L4 F/I	69-4521TS ¹	6.5 @ 5000			77-3071KS ²	9.3 @ 4600
Cruze	1.8L L4 F/I - US	69-4522TS ²	5.7 @ 5940	Equinox	2.4L L4 F/I	77-3078KTK ¹	6.5 @ 4900
Equinox	2.4L L4 F/I	77-3071KS ²	9.3 @ 4600			71-3070 ¹	12.2 @ 5342
Impala	3.6L V6 F/I	69-4526TS ²	11.7 @ 6218	Silverado 1500	4.8L V8 F/I	77-3070KP ¹	9.9 @ 5342
Malibu	2.5L L4 F/I	69-4529TS ²	8.2 @ 6321			57-3070 ¹	10.3 @ 5342
Silverado 1500	4.8L V8 F/I	63-3070 ²	10.3 @ 5342			63-3070 ²	10.3 @ 5342
		71-3070 ¹	12.2 @ 5342	Silverado 1500	5.3L V8 F/I	63-3070 ²	10.3 @ 5342
		57-3070 ¹	10.3 @ 5342			57-3070 ¹	10.3 @ 5342
		77-3070KP ¹	9.9 @ 5342			77-3070KP ¹	9.9 @ 5342
Silverado 1500	5.3L V8 F/I	63-3070 ²	10.3 @ 5342	Silverado 1500	6.2L V8 F/I	71-3070 ¹	12.2 @ 5342
		57-3070 ¹	10.3 @ 5342			57-3070 ¹	10.3 @ 5342
		77-3070KP ¹	9.9 @ 5342			77-3070KP ¹	9.9 @ 5342
		71-3070 ¹	12.2 @ 5342	Silverado 2500 HD	6.0L V8 F/I	63-3070 ²	10.3 @ 5342
Silverado 1500	6.2L V8 F/I	57-3070 ¹	10.3 @ 5342	Silverado 2500 HD	6.6L V8 DSL	71-3070 ¹	12.2 @ 5342
		63-3070 ²	10.3 @ 5342			77-3076KTK ¹	10.2 @ 5033
		71-3070 ¹	12.2 @ 5342	Silverado 3500 HD	6.0L V8 F/I	63-3077 ²	19.3 @ 2420
		77-3070KP ¹	9.9 @ 5342	Silverado 3500 HD	6.6L V8 DSL	77-3077KP ¹	12.2 @ 2850
Silverado 2500 HD	6.0L V8 F/I	63-3070 ²	10.3 @ 5342			57-3077 ¹	19.3 @ 2420
Silverado 2500 HD	6.6L V8 DSL	71-3070 ¹	12.2 @ 5342			77-3076KTK ¹	10.2 @ 5033
		77-3070KP ¹	9.9 @ 5342	Silverado 3500 HD	6.0L V8 F/I	63-3077 ²	19.3 @ 2420
		77-3076KTK ¹	10.2 @ 5033	Silverado 3500 HD	6.6L V8 DSL	77-3077KP ¹	12.2 @ 2850
		57-3077 ¹	19.3 @ 2420			57-3077 ¹	19.3 @ 2420
		77-3077KP ¹	12.2 @ 2850	Sonic	1.4L L4 F/I	69-4524TS ²	7.0 @ 5474
		63-3077 ²	19.3 @ 2420	Sonic	1.8L L4 F/I	69-4525TS ²	5.1 @ 6003
Silverado 3500 HD	6.0L V8 F/I	77-3076KTK ¹	10.2 @ 5033	Suburban 1500	5.3L V8 F/I	71-3070 ¹	12.2 @ 5342
Silverado 3500 HD	6.6L V8 DSL	57-3077 ¹	19.3 @ 2420			77-3070KP ¹	9.9 @ 5342
		63-3077 ²	19.3 @ 2420			57-3070 ¹	10.3 @ 5342
		77-3077KP ¹	12.2 @ 2850	Tahoe	5.3L V8 F/I	63-3070 ²	10.3 @ 5342
Sonic	1.4L L4 F/I	69-4524TS ²	7.0 @ 5474			71-3070 ¹	12.2 @ 5342
Sonic	1.8L L4 F/I	69-4525TS ²	5.1 @ 6003			77-3070KP ¹	9.9 @ 5342
Suburban 1500	5.3L V8 F/I	71-3070 ¹	12.2 @ 5342			57-3070 ²	10.3 @ 5342
		63-3070 ²	10.3 @ 5342			63-3070 ²	10.3 @ 5342
		77-3070KP ¹	9.9 @ 5342			71-3070 ¹	12.2 @ 5342
		57-3070 ¹	10.3 @ 5342			77-3070KP ¹	9.9 @ 5342
Tahoe	5.3L V8 F/I	57-3070 ¹	10.3 @ 5342			57-3070 ¹	10.3 @ 5342
		71-3070 ¹	12.2 @ 5342	2011 CHEVROLET			
		63-3070 ²	10.3 @ 5342	Avalanche	5.3L V8 F/I	77-3070KP ¹	9.9 @ 5342
		77-3070KP ¹	9.9 @ 5342			63-3070 ²	10.3 @ 5342
						57-3070 ¹	10.3 @ 5342
						71-3070 ¹	12.2 @ 5342
2012 CHEVROLET				Camaro	3.6L V6 F/I	57-3075 ¹	4.8 @ 6045
Avalanche	5.3L V8 F/I	63-3070 ²	10.3 @ 5342			69-4520TP ²	13.4 @ 6200
		57-3070 ¹	10.3 @ 5342			63-3078 ²	11.4 @ 5800
		71-3070 ¹	12.2 @ 5342	Camaro SS	6.2L V8 F/I	63-3074 ²	18.6 @ 5161
		77-3070KP ¹	9.9 @ 5342			71-4519 ²	17.6 @ 5191
Camaro	3.6L V6 F/I	63-3078 ²	13.1 @ 5800				
		57-3075 ¹	4.8 @ 6045				

1) Street legal in all US states. 2) Not legal for sale or use on any pollution controlled motor vehicle in California or states adopting California emission procedures.

* Estimated horsepower gains are based on specific or similar vehicle dyno tests. Results will vary. See Page 478 for more information. Partial Listing - Complete List of Vehicles and Applications at knfilters.com. See page 5 for information on intake tube materials/colors.

AIR INTAKE SYSTEMS

CHEVROLET

Vehicle	Engine Type	Part Number	Estimated Horsepower*	Vehicle	Engine Type	Part Number	Estimated Horsepower*
2011 CHEVROLET				2010 CHEVROLET			
Camaro SS	6.2L V8 F/I	57-3074 ¹	6.5 @ 5844	Colorado	2.9L L4 F/I	63-3064-1 ²	9.0 @ 4862
		69-4519TP ²	18.1 @ 5200	Colorado	3.7L L5 F/I	63-3065 ²	11.0 @ 4754
Colorado	2.9L L4 F/I	63-3064-1 ²	9.0 @ 4862			77-3065KP ²	7.2 @ 4533
Colorado	3.7L L5 F/I	63-3065 ²	11.0 @ 4754	Corvette	6.2L V8 F/I	63-3073 ²	17.7 @ 4750
		77-3065KP ²	7.2 @ 4533	Corvette ZR1	6.2L V8 F/I	63-3080 ²	27.1 @ 5948
Corvette	6.2L V8 F/I	63-3073 ²	17.7 @ 4750	Equinox	2.4L L4 F/I	77-3071KS ¹	9.3 @ 4600
Corvette ZR1	6.2L V8 F/I	63-3080 ²	27.1 @ 5948	Equinox	3.0L V6 F/I	77-3078KTK ¹	6.5 @ 4900
Cruze	1.4L L4 F/I	69-4521TS ¹	6.5 @ 5000	HHR	2.0L L4 F/I	63-3069 ²	9.4 @ 5068
Cruze	1.8L L4 F/I - US	69-4522TS ¹	5.7 @ 5940			57-3069 ¹	9.4 @ 5068
Equinox	2.4L L4 F/I	77-3071KS ¹	9.3 @ 4600	HHR	2.2L L4 F/I	57-3056 ¹	9.3 @ 5325
Equinox	3.0L V6 F/I	77-3078KTK ¹	6.5 @ 4900			63-3056 ²	9.3 @ 5325
HHR	2.2L L4 F/I	63-3056 ²	9.3 @ 5325	HHR	2.4L L4 F/I	57-3056 ¹	9.3 @ 5325
		57-3056 ¹	9.3 @ 5325			63-3056 ²	9.3 @ 5325
HHR	2.4L L4 F/I	63-3056 ²	9.3 @ 5325	Silverado 1500	4.8L V8 F/I	63-3070 ¹	10.3 @ 5342
Silverado 1500	4.8L V8 F/I	57-3070 ¹	10.3 @ 5342			77-3070KP ¹	9.9 @ 5342
		71-3070 ¹	12.2 @ 5342			57-3070 ¹	10.3 @ 5342
		77-3070KP ¹	9.9 @ 5342	Silverado 1500	5.3L V8 F/I	71-3070 ¹	12.2 @ 5342
		63-3070 ²	10.3 @ 5342			57-3070 ¹	10.3 @ 5342
Silverado 1500	5.3L V8 F/I	63-3070 ²	10.3 @ 5342			63-3070 ²	10.3 @ 5342
		77-3070KP ¹	9.9 @ 5342	Silverado 1500	6.2L V8 F/I	77-3070KP ¹	9.9 @ 5342
		57-3070 ¹	10.3 @ 5342			71-3070 ¹	12.2 @ 5342
		71-3070 ¹	12.2 @ 5342	Silverado 1500	6.2L V8 F/I	57-3070 ¹	10.3 @ 5342
		77-3070KP ¹	9.9 @ 5342			63-3070 ²	10.3 @ 5342
		63-3070 ²	10.3 @ 5342	Silverado 1500	6.2L V8 F/I	77-3070KP ¹	9.9 @ 5342
		77-3070KP ¹	9.9 @ 5342			71-3070 ¹	12.2 @ 5342
		57-3070 ¹	10.3 @ 5342	Silverado 2500 HD	6.0L V8 F/I	57-3076 ¹	10.2 @ 5033
		71-3070 ¹	12.2 @ 5342			63-3076 ²	
Silverado 2500 HD	6.0L V8 F/I	77-3076KTK ¹	10.2 @ 5033	Silverado 2500 HD	6.6L V8 DSL	71-3066 ¹	12.5 @ 2638
Silverado 2500 HD	6.6L V8 DSL	57-3077 ¹	19.3 @ 2420			57-3066 ¹	19.7 @ 2900
		63-3077 ²	19.3 @ 2420	Silverado 3500 HD	6.0L V8 F/I	57-3076 ¹	
		77-3077KP ¹	12.2 @ 2850			71-3066 ¹	12.5 @ 2638
Silverado 3500 HD	6.0L V8 F/I	77-3076KTK ¹	10.2 @ 5033	Silverado 3500 HD	6.6L V8 DSL	57-3066 ¹	19.7 @ 2900
Silverado 3500 HD	6.6L V8 DSL	77-3077KP ¹	12.2 @ 2850			77-3070KP ¹	9.9 @ 5342
		63-3077 ²	19.3 @ 2420	Suburban 1500	5.3L V8 F/I	57-3070 ¹	10.3 @ 5342
		57-3077 ¹	19.3 @ 2420			71-3070 ¹	12.2 @ 5342
Suburban 1500	5.3L V8 F/I	71-3070 ¹	12.2 @ 5342			63-3070 ²	10.3 @ 5342
		63-3070 ²	10.3 @ 5342	Tahoe	5.3L V8 F/I	71-3070 ¹	12.2 @ 5342
		57-3070 ¹	10.3 @ 5342			57-3070 ¹	10.3 @ 5342
Tahoe	5.3L V8 F/I	77-3070KP ¹	9.9 @ 5342			63-3070 ²	10.3 @ 5342
		71-3070 ¹	12.2 @ 5342			77-3070KP ¹	9.7 @ 5342
		57-3070 ¹	10.3 @ 5342	2009 CHEVROLET			
		63-3070 ²	10.3 @ 5342	Avalanche	5.3L V8 F/I	71-3070 ¹	12.2 @ 5342
2010 CHEVROLET						63-3070 ²	10.3 @ 5342
Avalanche	5.3L V8 F/I	63-3070 ²	10.3 @ 5342			57-3070 ¹	10.3 @ 5342
		57-3070 ¹	10.3 @ 5342	Avalanche	6.0L V8 F/I	77-3070KP ¹	9.9 @ 5342
		77-3070KP ¹	9.9 @ 5342			71-3070 ¹	12.2 @ 5342
		71-3070 ¹	12.2 @ 5342	Cheyenne 2500	5.3L V8 F/I	77-3070KP ¹	9.9 @ 5342
Camaro	3.6L V6 F/I	57-3075 ¹	4.8 @ 6045			63-3070 ²	10.3 @ 5342
		69-4520TP ²	13.4 @ 6200	Cobalt	2.0L L4 F/I	77-3058KP ²	12.5 @ 4917
		63-3075 ²	15.0 @ 6200			69-4518TTK ¹	12.4 @ 4600
Camaro SS	6.2L V8 F/I	71-4519 ²	17.6 @ 5191	Cobalt	2.2L L4 F/I	69-4515TS ²	6.6 @ 4800
		57-3074 ¹	6.5 @ 5844	Colorado	2.9L L4 F/I	63-3064-1 ²	9.0 @ 4862
		69-4519TP ²	18.1 @ 5200			63-3065 ²	11.0 @ 4754
		63-3074 ²	18.6 @ 5161	Colorado	3.7L L5 F/I	77-3065KP ²	7.2 @ 4533
Cobalt	2.0L L4 F/I	69-4518TTK ¹	12.2 @ 4600	Corvette	6.2L V8 F/I	63-3073 ²	17.7 @ 4750
Cobalt	2.2L L4 F/I	69-4515TS ²	6.6 @ 4800	Corvette Z06	7.0L V8 F/I	63-3060-1 ²	27.2 @ 5600

1) Street legal in all US states. 2) Not legal for sale or use on any pollution controlled motor vehicle in California or states adopting California emission procedures.

* Estimated horsepower gains are based on specific or similar vehicle dyno tests. Results will vary. See Page 478 for more information. Partial Listing - Complete List of Vehicles and Applications at knfilters.com. See page 5 for information on intake tube materials/colors.

CHEVROLET

AIR INTAKE SYSTEMS

Vehicle	Engine Type	Part Number	Estimated Horsepower*	Vehicle	Engine Type	Part Number	Estimated Horsepower*
2009 CHEVROLET				2008 CHEVROLET			
Corvette ZR1	6.2L V8 F/I	63-3080 ²	27.1 @ 5948	Avalanche	6.0L V8 F/I	71-3058 ¹	10.2 @ 4900
HHR	2.0L L4 F/I	57-3069 ¹	9.4 @ 5068			77-3058KP ¹	12.5 @ 4917
		63-3069 ²	9.4 @ 5068	Cheyenne 2500	5.3L V8 F/I	77-3058KP ²	12.5 @ 4917
HHR	2.4L L4 F/I	57-3056 ¹	9.3 @ 5325	Cobalt	2.0L L4 F/I	69-4518TTK ¹	12.2 @ 4600
		63-3056 ²	9.3 @ 5325	Cobalt	2.2L L4 F/I	69-4515TS ²	6.6 @ 4800
Impala	5.3L V8 F/I	63-3059 ²	13.5 @ 5222	Cobalt	2.4L L4 F/I	69-4517TTK ¹	15.9 @ 5900
Silverado 1500	4.8L V8 F/I	57-3070 ¹	10.3 @ 5342	Colorado	2.9L L4 F/I	63-3064-1 ²	9.0 @ 4862
		63-3070 ²	10.3 @ 5342	Colorado	3.7L L5 F/I	63-3065 ²	11.0 @ 4754
		77-3070KP ¹	9.9 @ 5342			77-3065KP ²	7.2 @ 4533
		71-3070 ¹	12.2 @ 5342	Corvette	6.2L V8 F/I	63-3073 ²	17.7 @ 4750
Silverado 1500	5.3L V8 F/I	63-3070 ²	10.3 @ 5342	Corvette Z06	7.0L V8 F/I	63-3060-1 ²	27.2 @ 5600
		71-3070 ¹	12.2 @ 5342	HHR	2.0L L4 F/I	63-3069 ²	9.4 @ 5068
		77-3070KP ¹	9.9 @ 5342			57-3069 ¹	9.4 @ 5068
		57-3070 ¹	10.3 @ 5342	HHR	2.4L L4 F/I	57-3056 ¹	9.3 @ 5325
Silverado 1500	6.0L V8 F/I	63-3070 ²	10.3 @ 5342			63-3056 ²	9.3 @ 5325
		77-3070KP ¹	9.9 @ 5342	Impala	5.3L V8 F/I	63-3059 ²	13.5 @ 5222
		57-3070 ¹	10.3 @ 5342	Silverado 1500	4.8L V8 F/I	57-3058 ¹	17.6 @ 4917
		71-3070 ¹	12.2 @ 5342			71-3058 ¹	10.2 @ 4900
Silverado 1500	6.2L V8 F/I	57-3070 ¹	16.6 @ 5342			77-3058KP ¹	12.5 @ 4917
		63-3070 ²	16.6 @ 5342	Silverado 1500	5.3L V8 F/I	77-3058KP ¹	12.5 @ 4917
		77-3070KP ¹	10.8 @ 5342			71-3058 ¹	10.2 @ 4900
		71-3070 ¹	12.2 @ 5342			57-3058 ¹	17.6 @ 4917
Silverado 2500 HD	6.0L V8 F/I	57-3076 ¹		Silverado 1500	6.0L V8 F/I	57-3058 ¹	17.6 @ 4917
		63-3076 ²				77-3058KP ¹	12.5 @ 4917
Silverado 2500 HD	6.6L V8 DSL	57-3066 ¹	19.7 @ 2900			71-3058 ¹	10.2 @ 4900
		71-3066 ¹	12.5 @ 2638	Silverado 2500 HD	6.0L V8 F/I	57-3067 ¹	11.4 @ 4500
Silverado 3500 HD	6.0L V8 F/I	57-3076 ¹				63-3067 ²	11.4 @ 4500
		63-3076 ²		Silverado 2500 HD	6.6L V8 DSL	71-3066 ¹	12.5 @ 2638
Silverado 3500 HD	6.6L V8 DSL	57-3066 ¹	19.7 @ 2900			57-3066 ¹	19.7 @ 2900
		71-3066 ¹	12.5 @ 2638	Silverado 3500 HD	6.0L V8 F/I	57-3067 ¹	11.4 @ 4500
Suburban 1500	5.3L V8 F/I	63-3070 ²	10.3 @ 5342			63-3067 ²	11.4 @ 4500
		57-3070 ¹	10.3 @ 5342	Silverado 3500 HD	6.6L V8 DSL	57-3066 ¹	19.7 @ 2900
		71-3070 ¹	12.2 @ 5342			71-3066 ¹	12.5 @ 2638
		77-3070KP ¹	9.9 @ 5342	Suburban 1500	5.3L V8 F/I	71-3058 ¹	10.2 @ 4900
Suburban 1500	6.0L V8 F/I	77-3070KP ¹	9.9 @ 5342			77-3058KP ¹	12.5 @ 4917
		63-3070 ²	10.3 @ 5342	Suburban 1500	6.0L V8 F/I	57-3058 ¹	17.6 @ 4917
		71-3070 ¹	12.2 @ 5342			77-3058KP ¹	12.5 @ 4917
Tahoe	4.8L V8 F/I	77-3070KP ¹	9.9 @ 5342	Tahoe	4.8L V8 F/I	57-3058 ¹	17.6 @ 4917
		57-3070 ¹	10.3 @ 5342			71-3058 ¹	10.2 @ 4900
Tahoe	5.3L V8 F/I	63-3070 ²	10.3 @ 5342	Tahoe	5.3L V8 F/I	77-3058KP ¹	12.5 @ 4917
		71-3070 ¹	12.2 @ 5342			71-3058 ¹	10.2 @ 4900
		57-3070 ¹	10.3 @ 5342	Tahoe	5.3L V8 F/I	57-3058 ¹	17.6 @ 4917
Tahoe	6.2L V8 F/I	77-3070KP ¹	9.9 @ 5342			77-3058KP ¹	12.5 @ 4917
		57-3070 ¹	10.3 @ 5342	TrailBlazer	4.2L L6 F/I	63-3062 ²	9.5 @ 4725
		63-3070 ²	10.3 @ 5342			77-3062KP ²	9.3 @ 4850
		71-3070 ¹	12.2 @ 5342	TrailBlazer	6.0L V8 F/I	57-3061 ¹	19.2 @ 5331
TrailBlazer	4.2L L6 F/I	77-3062KP ²	9.3 @ 4850	2007 CHEVROLET			
		63-3062 ²	9.5 @ 4725	Avalanche	5.3L V8 F/I	57-3058 ¹	17.6 @ 4917
2008 CHEVROLET						71-3058 ¹	10.2 @ 4900
Avalanche	5.3L V8 F/I	57-3058 ¹	17.6 @ 4917			77-3058KP ¹	12.5 @ 4917
		77-3058KP ¹	12.5 @ 4917	Avalanche	6.0L V8 F/I	57-3058 ¹	17.6 @ 4917
		71-3058 ¹	10.2 @ 4900			77-3058KP ¹	12.5 @ 4917
Avalanche	6.0L V8 F/I	57-3058 ¹	17.6 @ 4917	Cheyenne 2500	5.3L V8 F/I	77-3058KP ²	12.5 @ 4917

1) Street legal in all US states. 2) Not legal for sale or use on any pollution controlled motor vehicle in California or states adopting California emission procedures.

* Estimated horsepower gains are based on specific or similar vehicle dyno tests. Results will vary. See Page 478 for more information. Partial Listing - Complete List of Vehicles and Applications at knfilters.com. See page 5 for information on intake tube materials/colors.

AIR INTAKE SYSTEMS

CHEVROLET

Vehicle	Engine Type	Part Number	Estimated Horsepower*	Vehicle	Engine Type	Part Number	Estimated Horsepower*
2007 CHEVROLET				2007 CHEVROLET			
Cobalt	2.2L L4 F/I	69-4515TS ²	6.6 @ 4800	Silverado 3500 Classic	8.1L V8 F/I	57-3030-1 ¹	17.3 @ 4559
Cobalt	2.4L L4 F/I	69-4517TTK ¹	15.9 @ 5900	Silverado 3500 HD	6.0L V8 F/I	57-3067 ¹	11.4 @ 4500
Colorado	2.9L L4 F/I	63-3064-1 ²	9.0 @ 4862			63-3067 ²	11.4 @ 4500
Colorado	3.7L L5 F/I	77-3065KP ²	7.2 @ 4533	Silverado 3500 HD	6.6L V8 DSL	71-3066 ¹	12.5 @ 2638
		63-3065 ²	11.0 @ 4754			57-3066 ¹	19.7 @ 2900
Corvette	6.0L V8 F/I	63-3052 ²	10.1 @ 6000	Silverado SS Classic	6.0L V8 F/I	77-3050KP ¹	8.4 @ 5336
Corvette Z06	7.0L V8 F/I	63-3060-1 ²	27.2 @ 5600			57-3050 ¹	11.9 @ 5367
HHR	2.4L L4 F/I	57-3056 ¹	9.3 @ 5325	Suburban 1500	5.3L V8 F/I	77-3058KP ¹	12.5 @ 4917
Impala	5.3L V8 F/I	63-3059 ²	13.5 @ 5222			57-3058 ¹	17.6 @ 4917
Monte Carlo	5.3L V8 F/I	63-3059 ²	13.5 @ 5222			71-3058 ¹	10.2 @ 4900
Silverado 1500	4.8L V8 F/I	71-3058 ¹	10.2 @ 4900	Suburban 1500	6.0L V8 F/I	77-3058KP ¹	12.5 @ 4917
		77-3058KP ¹	12.5 @ 4917			71-3058 ¹	10.2 @ 4900
Silverado 1500	5.3L V8 F/I	57-3058 ¹	17.6 @ 4917	Suburban 1500	6.0L V8 F/I	77-3058KP ¹	12.5 @ 4917
		77-3058KP ¹	12.5 @ 4917			71-3058 ¹	10.2 @ 4900
		71-3058 ¹	10.2 @ 4900	Suburban 2500	6.0L V8 F/I	57-3063 ¹	11.6 @ 5075
Silverado 1500	6.0L V8 F/I	57-3058 ¹	17.6 @ 4917	Tahoe	4.8L V8 F/I	77-3058KP ¹	12.5 @ 4917
		77-3058KP ¹	12.5 @ 4917			71-3058 ¹	10.2 @ 4900
		71-3058 ¹	10.2 @ 4900	Tahoe	5.3L V8 F/I	57-3058 ¹	17.6 @ 4917
Silverado 1500 Classic	4.3L V6 F/I	57-3038 ¹	8.2 @ 4544			77-3058KP ¹	12.5 @ 4917
Silverado 1500 Classic	4.8L V8 F/I	77-3050KP ¹	8.4 @ 5336	TrailBlazer	4.2L L6 F/I	71-3058 ¹	10.2 @ 4900
		57-3050 ¹	11.9 @ 5367			57-3058 ¹	17.6 @ 4917
Silverado 1500 Classic	5.3L V8 F/I	77-3050KP ¹	8.4 @ 5336	TrailBlazer	6.0L V8 F/I	77-3062KP ²	9.3 @ 4850
		57-3050 ¹	11.9 @ 5367			63-3062 ²	9.5 @ 4725
Silverado 1500 Classic	6.0L V8 F/I	77-3023KP ¹	8.2 @ 5067	TrailBlazer	6.0L V8 F/I	57-3061 ¹	19.2 @ 5331
		57-3023-1 ¹	14.3 @ 5018	2006 CHEVROLET			
Silverado 1500 HD Classic	6.0L V8 F/I	77-3023KP ¹	8.2 @ 5067	Avalanche 1500	5.3L V8 F/I	77-3050KP ¹	8.4 @ 5336
		57-3023-1 ¹	14.3 @ 5018			57-3050 ¹	11.9 @ 5367
Silverado 2500 HD	6.0L V8 F/I	63-3067 ²	11.4 @ 4500	Avalanche 2500	8.1L V8 F/I	57-3032 ¹	13.0 @ 4231
		57-3067 ¹	11.4 @ 4500	Cobalt	2.0L L4 F/I	69-4516TS ¹	8.1 @ 5829
Silverado 2500 HD	6.6L V8 DSL	57-3066 ¹	19.7 @ 2900	Cobalt	2.2L L4 F/I	69-4515TS ¹	6.6 @ 4800
		71-3066 ¹	12.5 @ 2638	Cobalt	2.4L L4 F/I	69-4517TTK ¹	15.9 @ 5900
Silverado 2500 HD Classic	6.0L V8 F/I	77-3031KP ¹	17.4 @ 5024	Colorado	2.8L L4 F/I	57-3051 ¹	11.5 @ 5863
		57-3031-1 ¹	20.3 @ 4894	Colorado	3.5L L5 F/I	77-3043KP ¹	9.2 @ 6057
Silverado 2500 HD Classic	6.6L V8 DSL	57-3000 ¹	15.4 @ 2911			57-3043 ¹	18.6 @ 6001
		57-3057 ¹	22.1 @ 2860	Corvette	6.0L V8 F/I	63-3052 ²	10.1 @ 6000
Silverado 2500 HD Classic	8.1L V8 F/I	57-3030-1 ¹	17.3 @ 4559	Corvette Z06	7.0L V8 F/I	63-3060-1 ²	27.2 @ 5600
Silverado 3500 Classic	6.0L V8 F/I	77-3031KP ¹	17.4 @ 5024	HHR	2.4L L4 F/I	57-3056 ¹	9.3 @ 5325
		57-3031-1 ¹	20.3 @ 4894	Impala	5.3L V8 F/I	63-3059 ²	13.5 @ 5222
Silverado 3500 Classic	6.6L V8 DSL	57-3000 ¹	15.4 @ 2911	Monte Carlo	5.3L V8 F/I	63-3059 ²	13.5 @ 5222
		57-3057 ¹	22.1 @ 2860	Silverado 1500	4.3L V6 F/I	57-3038 ¹	8.2 @ 4544
		57-3057 ¹	22.1 @ 2860	Silverado 1500	4.8L V8 F/I	77-3050KP ¹	8.4 @ 5336
						57-3050 ¹	11.9 @ 5367
				Silverado 1500	5.3L V8 F/I	77-3050KP ¹	8.4 @ 5336
						57-3050 ¹	11.9 @ 5367
				Silverado 1500	6.0L V8 F/I	57-3050 ¹	11.9 @ 5367
						77-3050KP ¹	8.4 @ 5336
				Silverado 1500 HD	6.0L V8 F/I	57-3023-1 ¹	14.3 @ 5018
						77-3023KP ¹	8.2 @ 5067
				Silverado 2500 HD	6.0L V8 F/I	77-3031KP ¹	17.4 @ 5024
						57-3031-1 ¹	20.3 @ 4894
				Silverado 2500 HD	6.6L V8 DSL	57-3000 ¹	15.4 @ 2911
						57-3057 ¹	22.1 @ 2860
				Silverado 2500 HD	8.1L V8 F/I	57-3030-1 ¹	17.3 @ 4559
				Silverado 3500	6.0L V8 F/I	77-3031KP ¹	17.4 @ 5024

1) Street legal in all US states. 2) Not legal for sale or use on any pollution controlled motor vehicle in California or states adopting California emission procedures.

* Estimated horsepower gains are based on specific or similar vehicle dyno tests. Results will vary. See Page 478 for more information. Partial Listing - Complete List of Vehicles and Applications at knfilters.com. See page 5 for information on intake tube materials/colors.

CHEVROLET

AIR INTAKE SYSTEMS

Vehicle	Engine Type	Part Number	Estimated Horsepower*	Vehicle	Engine Type	Part Number	Estimated Horsepower*
2006 CHEVROLET				2005 CHEVROLET			
Silverado 3500	6.0L V8 F/I	57-3031-1 ¹	20.3 @ 4894	Silverado 3500	6.6L V8 DSL - w/Panel Filter	57-3047 ¹	20.1 @ 3157
Silverado 3500	6.6L V8 DSL	57-3057 ¹	22.1 @ 2860	Silverado 3500	6.6L V8 DSL - w/Round Filter	57-3000 ¹	15.4 @ 2911
		57-3000 ¹	15.4 @ 2911			57-3057 ¹	22.1 @ 2860
Silverado 3500	8.1L V8 F/I	57-3030-1 ¹	17.3 @ 4559	Silverado 3500	8.1L V8 F/I	57-3030-1 ¹	17.3 @ 4559
Silverado SS	6.0L V8 F/I	57-3050 ¹	11.9 @ 5367	Silverado SS	6.0L V8 F/I	77-3050KP ¹	8.4 @ 5336
		77-3050KP ¹	8.4 @ 5336			57-3050 ¹	11.9 @ 5367
Sonora	5.3L V8 F/I	77-3050KP ²	8.4 @ 5336	Sonora	5.3L V8 F/I	77-3050KP ²	8.4 @ 5336
SSR	6.0L V8 F/I	57-3055 ¹	13.8 @ 4700	SSR	6.0L V8 F/I	57-3055 ¹	13.8 @ 4700
Suburban 1500	5.3L V8 F/I	77-3050KP ¹	8.4 @ 5336	Suburban 1500	5.3L V8 F/I	57-3050 ¹	11.9 @ 5367
		57-3050 ¹	11.9 @ 5367			77-3050KP ¹	8.4 @ 5336
Suburban 1500	6.0L V8 F/I	77-3023KP ¹	8.2 @ 5067	Suburban 1500	6.0L V8 F/I	77-3050KP ¹	8.4 @ 5336
		57-3023-1 ¹	14.3 @ 5018			77-3050KP ¹	8.4 @ 5336
Suburban 2500	6.0L V8 F/I	77-3023KP ¹	8.2 @ 5067	Suburban 2500	6.0L V8 F/I	57-3023-1 ¹	14.3 @ 5018
		57-3023-1 ¹	14.3 @ 5018			77-3023KP ¹	8.2 @ 5067
Suburban 2500	8.1L V8 F/I	57-3032 ¹	13.0 @ 4231	Suburban 2500	8.1L V8 F/I	57-3032 ¹	13.0 @ 4231
Tahoe	4.8L V8 F/I	57-3050 ¹	11.9 @ 5367	Tahoe	4.8L V8 F/I	57-3050 ¹	11.9 @ 5367
		77-3050KP ¹	8.4 @ 5336			77-3050KP ¹	8.4 @ 5336
Tahoe	5.3L V8 F/I	77-3050KP ¹	8.4 @ 5336	Tahoe	5.3L V8 F/I	77-3050KP ¹	8.4 @ 5336
		57-3050 ¹	11.9 @ 5367			57-3050 ¹	11.9 @ 5367
TrailBlazer	4.2L L6 F/I	77-3062KP ¹	9.3 @ 4850	TrailBlazer	4.2L L6 F/I	77-3036KP ¹	10.9 @ 5474
		57-3062 ¹	9.5 @ 4725			57-3036 ¹	9.3 @ 5623
TrailBlazer	6.0L V8 F/I	57-3061 ¹	19.2 @ 5331				
2005 CHEVROLET				2004 CHEVROLET			
Avalanche 1500	5.3L V8 F/I	77-3050KP ¹	8.4 @ 5336	Avalanche 1500	5.3L V8 F/I	77-3023KP ¹	8.2 @ 5067
		57-3050 ¹	11.9 @ 5367			57-3033 ¹	10.2 @ 5244
Avalanche 2500	8.1L V8 F/I	57-3032 ¹	13.0 @ 4231	Avalanche 2500	8.1L V8 F/I	57-3032 ¹	13.0 @ 4231
Blazer	4.3L V6 F/I	57-3017-2 ¹	7.4 @ 4671	Blazer	4.3L V6 F/I	57-3017-2 ¹	7.4 @ 4671
Cavalier	2.2L L4 F/I	69-4510TS ¹	5.4 @ 5223	Cavalier	2.2L L4 F/I	69-4510TS ¹	5.4 @ 5223
Cobalt	2.0L L4 F/I	69-4516TS ¹	8.1 @ 5829	Colorado	2.8L L4 F/I	57-3051 ¹	11.5 @ 5863
Cobalt	2.2L L4 F/I	69-4515TS ¹	6.6 @ 4800	Colorado	3.5L L5 F/I	77-3043KP ¹	9.2 @ 6057
Colorado	2.8L L4 F/I	57-3051 ¹	11.5 @ 5863	Corvette	5.7L V8 F/I	57-3043 ¹	18.6 @ 6001
Colorado	3.5L L5 F/I	57-3043 ¹	18.6 @ 6001	Corvette Z06	5.7L V8 F/I	63-1050 ²	11.4 @ 4700
		77-3043KP ¹	9.2 @ 6057	Impala	3.8L V6 F/I	57-3045 ¹	13.3 @ 5224
Corvette	6.0L V8 F/I	57-3052 ¹	10.1 @ 6000	Monte Carlo	3.8L V6 F/I	57-3045 ¹	13.3 @ 5224
Impala	3.8L V6 F/I	57-3045 ¹	13.3 @ 5224	S10 Pickup	4.3L V6 F/I	57-3017-2 ¹	7.4 @ 4671
Monte Carlo	3.8L V6 F/I	57-3045 ¹	13.3 @ 5224	Silverado 1500	4.3L V6 F/I	57-3038 ¹	8.2 @ 4544
Silverado 1500	4.3L V6 F/I	57-3038 ¹	8.2 @ 4544	Silverado 1500	4.8L V8 F/I	57-3021-1 ¹	9.1 @ 5352
Silverado 1500	4.8L V8 F/I	77-3050KP ¹	8.4 @ 5336	Silverado 1500	5.3L V8 F/I	77-3021KP ¹	8.2 @ 5067
		57-3050 ¹	11.9 @ 5367	Silverado 1500	6.0L V8 F/I	57-3021-1 ¹	9.1 @ 5352
Silverado 1500	5.3L V8 F/I	57-3050 ¹	11.9 @ 5367	Silverado 2500	6.0L V8 F/I	77-3021KP ¹	8.2 @ 5067
		77-3050KP ¹	8.4 @ 5336	Silverado 2500	6.0L V8 F/I	57-3023-1 ¹	14.3 @ 5018
Silverado 1500 HD	6.0L V8 F/I	57-3023-1 ¹	14.3 @ 5018	Silverado 2500 HD	6.0L V8 F/I	77-3023KP ¹	8.2 @ 5067
		77-3023KP ¹	8.2 @ 5067	Silverado 2500 HD	6.0L V8 F/I	57-3031-1 ¹	20.3 @ 4894
Silverado 2500 HD	6.0L V8 F/I	77-3031KP ¹	17.4 @ 5024	Silverado 2500 HD	6.6L V8 DSL - LB7	77-3031KP ¹	17.4 @ 5024
		57-3031-1 ¹	20.3 @ 4894	Silverado 2500 HD	6.6L V8 DSL - LLY	77-3034KP ¹	12.6 @ 3246
Silverado 2500 HD	6.6L V8 DSL - w/Panel Filter	57-3047 ¹	20.1 @ 3157	Silverado 2500 HD	6.6L V8 DSL - LLY	57-3034 ¹	16.3 @ 3246
		77-3047KP ¹	20.1 @ 3158	Silverado 2500 HD	8.1L V8 F/I	77-3047KP ¹	20.1 @ 3158
Silverado 2500 HD	6.6L V8 DSL - w/Round Filter	57-3057 ¹	22.1 @ 2860	Silverado 2500 HD	8.1L V8 F/I	57-3047 ¹	20.1 @ 3157
		57-3000 ¹	15.4 @ 2911	Silverado 3500	6.0L V8 F/I	57-3030-1 ¹	17.3 @ 4559
Silverado 2500 HD	8.1L V8 F/I	57-3030-1 ¹	17.3 @ 4559	Silverado 3500	6.6L V8 DSL - LB7	57-3031-1 ¹	20.3 @ 4894
Silverado 3500	6.0L V8 F/I	77-3031KP ¹	17.4 @ 5024	Silverado 3500	6.6L V8 DSL - LLY	77-3031KP ¹	17.4 @ 5024
		57-3031-1 ¹	20.3 @ 4894	Silverado 3500	6.6L V8 DSL - LLY	57-3034 ¹	16.3 @ 2750
Silverado 3500	6.6L V8 DSL - w/Panel Filter	77-3047KP ¹	20.1 @ 3158	Silverado 3500	8.1L V8 F/I	57-3047 ¹	20.1 @ 3157
				Silverado 3500	8.1L V8 F/I	77-3047KP ¹	20.1 @ 3158
				Silverado 3500	8.1L V8 F/I	57-3030-1 ¹	17.3 @ 4559

1) Street legal in all US states. 2) Not legal for sale or use on any pollution controlled motor vehicle in California or states adopting California emission procedures.

* Estimated horsepower gains are based on specific or similar vehicle dyno tests. Results will vary. See Page 478 for more information. Partial Listing - Complete List of Vehicles and Applications at knfilters.com. See page 5 for information on intake tube materials/colors.

AIR INTAKE SYSTEMS

CHEVROLET

Vehicle	Engine Type	Part Number	Estimated Horsepower*	Vehicle	Engine Type	Part Number	Estimated Horsepower*
2004 CHEVROLET				2003 CHEVROLET			
Silverado SS	6.0L V8 F/I	57-3023-1 ¹	14.3 @ 5018	Tahoe	4.8L V8 F/I	57-3023-1 ¹	14.3 @ 5018
		77-3023KP ¹	8.2 @ 5067			77-3023KP ¹	8.2 @ 5067
Sonora	5.3L V8 F/I	77-3023KP ²	8.2 @ 5067	Tahoe	5.3L V8 F/I	57-3023-1 ¹	14.3 @ 5018
SSR	5.3L V8 F/I	57-3046 ¹	5.4 @ 5200			77-3023KP ¹	8.2 @ 5067
Suburban 1500	5.3L V8 F/I	77-3023KP ¹	8.2 @ 5067	TrailBlazer	4.2L L6 F/I	77-3036KP ¹	10.9 @ 5474
		57-3023-1 ¹	14.3 @ 5018			57-3036 ¹	9.3 @ 5623
Suburban 2500	6.0L V8 F/I	77-3023KP ¹	8.2 @ 5067	TrailBlazer	5.3L V8 F/I	57-3048 ¹	19.3 @ 5133
		57-3023-1 ¹	14.3 @ 5018	2002 CHEVROLET			
Suburban 2500	8.1L V8 F/I	57-3032 ¹	13.0 @ 4231	Avalanche 1500	5.3L V8 F/I	57-3033 ¹	10.2 @ 5244
Tahoe	4.8L V8 F/I	57-3023-1 ¹	14.3 @ 5018			77-3023KP ¹	8.2 @ 5067
		77-3023KP ¹	8.2 @ 5067	Avalanche 2500	8.1L V8 F/I	57-3032 ¹	13.0 @ 4231
Tahoe	5.3L V8 F/I	57-3023-1 ¹	14.3 @ 5018	Blazer	4.3L V6 F/I	57-3017-2 ¹	7.4 @ 4671
		77-3023KP ¹	8.2 @ 5067	Camaro	3.8L V6 F/I	57-3041 ¹	6.8 @ 5066
TrailBlazer	4.2L L6 F/I	77-3036KP ¹	10.9 @ 5474	Camaro	5.7L V8 F/I	57-3022-2 ¹	14.7 @ 5300
		57-3036 ¹	9.3 @ 5623	Cavalier	2.2L L4 F/I - Exc. OHV	69-4510TS ¹	5.4 @ 5223
TrailBlazer	5.3L V8 F/I	57-3048 ¹	19.3 @ 5133	Corvette	5.7L V8 F/I	57-3035 ¹	11.4 @ 4700
2003 CHEVROLET				Corvette Z06	5.7L V8 F/I	63-1050 ²	11.4 @ 4700
Avalanche 1500	5.3L V8 F/I	57-3033 ¹	10.2 @ 5244	Impala	3.8L V6 F/I	57-3045 ¹	13.3 @ 5224
		77-3023KP ¹	8.2 @ 5067	Monte Carlo	3.8L V6 F/I	57-3045 ¹	13.3 @ 5224
Avalanche 2500	8.1L V8 F/I	57-3032 ¹	13.0 @ 4231	S10 Pickup	2.2L L4 F/I	57-3025-1 ¹	6.7 @ 4700
Blazer	4.3L V6 F/I	57-3017-2 ¹	7.4 @ 4671	S10 Pickup	4.3L V6 F/I	57-3017-2 ¹	7.4 @ 4671
Cavalier	2.2L L4 F/I	69-4510TS ¹	5.4 @ 5223	Silverado 1500	4.3L V6 F/I	57-3038 ¹	8.2 @ 4544
Corvette	5.7L V8 F/I	57-3035 ¹	11.4 @ 4700	Silverado 1500	4.8L V8 F/I	57-3021-1 ¹	9.1 @ 5352
Corvette Z06	5.7L V8 F/I	63-1050 ²	11.4 @ 4700			77-3021KP ¹	8.2 @ 5067
Impala	3.8L V6 F/I	57-3045 ¹	13.3 @ 5224	Silverado 1500	5.3L V8 F/I	57-3021-1 ¹	9.1 @ 5352
Monte Carlo	3.8L V6 F/I	57-3045 ¹	13.3 @ 5224			77-3021KP ¹	8.2 @ 5067
S10 Pickup	2.2L L4 F/I	57-3025-1 ¹	6.7 @ 4700	Silverado 1500 HD	6.0L V8 F/I	77-3023KP ¹	8.2 @ 5067
S10 Pickup	4.3L V6 F/I	57-3017-2 ¹	7.4 @ 4671			57-3023-1 ¹	14.3 @ 5018
Silverado 1500	4.3L V6 F/I	57-3038 ¹	8.2 @ 4544	Silverado 2500	5.3L V8 F/I	57-3021-1 ¹	9.1 @ 5352
Silverado 1500	4.8L V8 F/I	77-3021KP ¹	8.2 @ 5067			77-3021KP ¹	8.2 @ 5067
		57-3021-1 ¹	9.1 @ 5352	Silverado 2500	6.0L V8 F/I	57-3023-1 ¹	14.3 @ 5018
Silverado 1500	5.3L V8 F/I	57-3021-1 ¹	9.1 @ 5352			77-3023KP ¹	8.2 @ 5067
		77-3021KP ¹	8.2 @ 5067	Silverado 2500 HD	6.0L V8 F/I	57-3031-1 ¹	20.3 @ 4894
Silverado 1500 HD	6.0L V8 F/I	77-3023KP ¹	8.2 @ 5067			77-3031KP ¹	17.4 @ 5024
		57-3023-1 ¹	14.3 @ 5018	Silverado 2500 HD	6.6L V8 DSL	57-3034 ¹	16.3 @ 2750
Silverado 2500	6.0L V8 F/I	57-3023-1 ¹	14.3 @ 5018			77-3034KP ¹	12.6 @ 3246
		77-3023KP ¹	8.2 @ 5067	Silverado 2500 HD	8.1L V8 F/I	57-3030-1 ¹	17.3 @ 4559
Silverado 2500 HD	6.0L V8 F/I	57-3031-1 ¹	20.3 @ 4894	Silverado 3500	5.3L V8 F/I	77-3021KP ¹	8.2 @ 5067
		77-3031KP ¹	17.4 @ 5024			57-3021-1 ¹	9.1 @ 5352
Silverado 2500 HD	6.6L V8 DSL	77-3034KP ¹	12.6 @ 3246	Silverado 3500	6.0L V8 F/I	77-3031KP ¹	17.4 @ 5024
		57-3034 ¹	16.3 @ 2750			57-3031-1 ¹	20.3 @ 4894
Silverado 2500 HD	8.1L V8 F/I	57-3030-1 ¹	17.3 @ 4559	Silverado 3500	6.6L V8 DSL	77-3034KP ¹	12.6 @ 3246
Silverado 3500	6.0L V8 F/I	57-3031-1 ¹	20.3 @ 4894			57-3034 ¹	16.3 @ 2750
		77-3031KP ¹	17.4 @ 5024	Silverado 3500	8.1L V8 F/I	57-3030-1 ¹	17.3 @ 4559
Silverado 3500	6.6L V8 DSL	57-3034 ¹	16.3 @ 2750	Suburban 1500	5.3L V8 F/I	57-3023-1 ¹	14.3 @ 5018
		77-3034KP ¹	12.6 @ 3246			77-3023KP ¹	8.2 @ 5067
Silverado 3500	8.1L V8 F/I	57-3030-1 ¹	17.3 @ 4559	Suburban 2500	6.0L V8 F/I	57-3023-1 ¹	14.3 @ 5018
Silverado SS	6.0L V8 F/I	77-3023KP ¹	8.2 @ 5067			77-3023KP ¹	8.2 @ 5067
		57-3023-1 ¹	14.3 @ 5018	Suburban 2500	8.1L V8 F/I	57-3032 ¹	13.0 @ 4231
Sonora	5.3L V8 F/I	77-3023KP ²	8.2 @ 5067	Tahoe	4.8L V8 F/I	77-3023KP ¹	8.2 @ 5067
SSR	5.3L V8 F/I	57-3046 ¹	5.4 @ 5200			57-3023-1 ¹	14.3 @ 5018
Suburban 1500	5.3L V8 F/I	57-3023-1 ¹	14.3 @ 5018	Tahoe	5.3L V8 F/I	57-3023-1 ¹	14.3 @ 5018
		77-3023KP ¹	8.2 @ 5067			77-3023KP ¹	8.2 @ 5067
Suburban 2500	6.0L V8 F/I	77-3023KP ¹	8.2 @ 5067	TrailBlazer	4.2L L6 F/I	57-3036 ¹	9.3 @ 5623
		57-3023-1 ¹	14.3 @ 5018			77-3036KP ¹	10.9 @ 5474
Suburban 2500	8.1L V8 F/I	57-3032 ¹	13.0 @ 4231				

1) Street legal in all US states. 2) Not legal for sale or use on any pollution controlled motor vehicle in California or states adopting California emission procedures.

* Estimated horsepower gains are based on specific or similar vehicle dyno tests. Results will vary. See Page 478 for more information. Partial Listing - Complete List of Vehicles and Applications at knfilters.com. See page 5 for information on intake tube materials/colors.

CHEVROLET

AIR INTAKE SYSTEMS

Vehicle	Engine Type	Part Number	Estimated Horsepower*	Vehicle	Engine Type	Part Number	Estimated Horsepower*
2001 CHEVROLET				2000 CHEVROLET			
Blazer	4.3L V6 F/I	57-3017-2 ¹	7.4 @ 4671	Silverado 1500	4.8L V8 F/I	57-3021-1 ¹	9.1 @ 5352
Camaro	3.8L V6 F/I	57-3041 ¹	6.8 @ 5066			77-3021KP ¹	8.2 @ 5067
Camaro	5.7L V8 F/I	57-3022-2 ¹	14.7 @ 5300	Silverado 1500	5.3L V8 F/I	57-3021-1 ¹	9.1 @ 5352
Corvette	5.7L V8 F/I	57-3035 ¹	11.4 @ 4700			77-3021KP ¹	8.2 @ 5067
Corvette Z06	5.7L V8 F/I	63-1050 ²	11.4 @ 4700	Silverado 2500	5.3L V8 F/I	57-3023-1 ¹	14.3 @ 5018
Impala	3.8L V6 F/I	57-3045 ¹	13.3 @ 5224			77-3023KP ¹	8.2 @ 5067
Monte Carlo	3.8L V6 F/I	57-3045 ¹	13.3 @ 5224	Silverado 2500	6.0L V8 F/I	57-3023-1 ¹	14.3 @ 5018
S10 Pickup	2.2L L4 F/I	57-3025-1 ¹	6.7 @ 4700			77-3023KP ¹	8.2 @ 5067
S10 Pickup	4.3L V6 F/I	57-3017-2 ¹	7.4 @ 4671	Suburban 1500	5.3L V8 F/I	77-3023KP ¹	8.2 @ 5067
Silverado 1500	4.3L V6 F/I	57-3038 ¹	8.2 @ 4544			57-3023-1 ¹	14.3 @ 5018
Silverado 1500	4.8L V8 F/I	57-3021-1 ¹	9.1 @ 5352	Suburban 1500	5.7L V8 F/I	57-3013-2 ¹	9.5 @ 4918
		77-3021KP ¹	8.2 @ 5067	Suburban 2500	5.3L V8 F/I	57-3023-1 ¹	14.3 @ 5018
Silverado 1500	5.3L V8 F/I	77-3021KP ¹	8.2 @ 5067			77-3023KP ¹	8.2 @ 5067
		57-3021-1 ¹	9.1 @ 5352	Suburban 2500	6.0L V8 F/I	77-3023KP ¹	8.2 @ 5067
Silverado 1500 HD	6.0L V8 F/I	57-3023-1 ¹	14.3 @ 5018			57-3023-1 ¹	14.3 @ 5018
		77-3023KP ¹	8.2 @ 5067	Tahoe	4.8L V8 F/I	77-3023KP ¹	8.2 @ 5067
Silverado 2500	6.0L V8 F/I	77-3023KP ¹	8.2 @ 5067			57-3023-1 ¹	14.3 @ 5018
		57-3023-1 ¹	14.3 @ 5018	Tahoe	5.3L V8 F/I	77-3023KP ¹	8.2 @ 5067
Silverado 2500 HD	6.0L V8 F/I	77-3031KP ¹	17.4 @ 5024			57-3023-1 ¹	14.3 @ 5018
		57-3031-1 ¹	20.3 @ 4894	Tahoe	5.7L V8 F/I	57-3013-2 ¹	9.5 @ 4918
Silverado 2500 HD	6.6L V8 DSL	77-3034KP ¹	12.6 @ 3246				
		57-3034 ¹	16.3 @ 2750	1999 CHEVROLET			
Silverado 2500 HD	8.1L V8 F/I	57-3030-1 ¹	17.3 @ 4559	Blazer	4.3L V6 F/I	57-3017-2 ¹	7.4 @ 4671
Silverado 3500	6.0L V8 F/I	77-3031KP ¹	17.4 @ 5024	C35	5.7L V8 F/I	57-3013-2 ¹	9.5 @ 4918
		57-3031-1 ¹	20.3 @ 4894	C1500	5.0L V8 F/I	57-3013-2 ¹	9.5 @ 4918
Silverado 3500	6.6L V8 DSL	77-3034KP ¹	12.6 @ 3246	C1500	5.7L V8 F/I	57-3013-2 ¹	9.5 @ 4918
		57-3034 ¹	16.3 @ 2750	C1500 Suburban	5.7L V8 F/I	57-3013-2 ¹	9.5 @ 4918
Silverado 3500	8.1L V8 F/I	57-3030-1 ¹	17.3 @ 4559	C2500	5.0L V8 F/I	57-3013-2 ¹	9.5 @ 4918
Suburban 1500	5.3L V8 F/I	77-3023KP ¹	8.2 @ 5067	C2500	5.7L V8 F/I	57-3013-2 ¹	9.5 @ 4918
		57-3023-1 ¹	14.3 @ 5018	C2500	7.4L V8 F/I	57-3016-1 ¹	21.5 @ 4078
Suburban 2500	6.0L V8 F/I	77-3023KP ¹	8.2 @ 5067	C2500 Suburban	5.7L V8 F/I	57-3013-2 ¹	9.5 @ 4918
		57-3023-1 ¹	14.3 @ 5018	C2500 Suburban	7.4L V8 F/I	57-3016-1 ¹	21.5 @ 4078
Suburban 2500	8.1L V8 F/I	57-3032 ¹	13.0 @ 4231	C3500	5.7L V8 F/I	57-3013-2 ¹	9.5 @ 4918
Tahoe	4.8L V8 F/I	77-3023KP ¹	8.2 @ 5067	C3500	7.4L V8 F/I	57-3016-1 ¹	21.5 @ 4078
		57-3023-1 ¹	14.3 @ 5018	Camaro	3.8L V6 F/I	57-3041 ¹	6.8 @ 5066
Tahoe	5.3L V8 F/I	77-3023KP ¹	8.2 @ 5067	Camaro	5.7L V8 F/I	57-3022-2 ¹	14.7 @ 5300
		57-3023-1 ¹	14.3 @ 5018	Corvette	5.7L V8 F/I	57-3020 ¹	18.3 @ 5600
				K1500	5.0L V8 F/I	57-3013-2 ¹	9.5 @ 4918
				K1500	5.7L V8 F/I	57-3013-2 ¹	9.5 @ 4918
				K1500 Suburban	5.7L V8 F/I	57-3013-2 ¹	9.5 @ 4918
				K2500	5.0L V8 F/I	57-3013-2 ¹	9.5 @ 4918
				K2500	5.7L V8 F/I	57-3013-2 ¹	9.5 @ 4918
				K2500	7.4L V8 F/I	57-3016-1 ¹	21.5 @ 4078
				K2500 Suburban	5.7L V8 F/I	57-3013-2 ¹	9.5 @ 4918
				K2500 Suburban	7.4L V8 F/I	57-3016-1 ¹	21.5 @ 4078
				K3500	5.7L V8 F/I	57-3013-2 ¹	9.5 @ 4918
				K3500	7.4L V8 F/I	57-3016-1 ¹	21.5 @ 4078
				K3500	5.7L V8 F/I	57-3013-2 ¹	9.5 @ 4918
				K3500	7.4L V8 F/I	57-3016-1 ¹	21.5 @ 4078
				Monte Carlo	3.8L V6 F/I	57-3045 ¹	13.3 @ 5224
				S10 Pickup	2.2L L4 F/I	57-3025-1 ¹	6.7 @ 4700
				S10 Pickup	4.3L V6 F/I	57-3017-2 ¹	7.4 @ 4672
				Silverado 1500	4.3L V6 F/I	57-3038 ¹	8.2 @ 4544
				Silverado 1500	4.8L V8 F/I	77-3021KP ¹	8.2 @ 5067
						57-3021-1 ¹	9.1 @ 5352
				Silverado 1500	5.3L V8 F/I	77-3021KP ¹	8.2 @ 5067
						57-3021-1 ¹	9.1 @ 5352
				Silverado 2500	5.3L V8 F/I	77-3023KP ¹	8.2 @ 5067
						57-3023-1 ¹	14.3 @ 5018
				Silverado 2500	6.0L V8 F/I	77-3023KP ¹	8.2 @ 5067

1) Street legal in all US states. 2) Not legal for sale or use on any pollution controlled motor vehicle in California or states adopting California emission procedures.

* Estimated horsepower gains are based on specific or similar vehicle dyno tests. Results will vary. See Page 478 for more information. Partial Listing - Complete List of Vehicles and Applications at knfilters.com. See page 5 for information on intake tube materials/colors.

AIR INTAKE SYSTEMS

CHEVROLET

Vehicle	Engine Type	Part Number	Estimated Horsepower*	Vehicle	Engine Type	Part Number	Estimated Horsepower*
1999 CHEVROLET				1997 CHEVROLET			
Silverado 2500	6.0L V8 F/I	57-3023-1 ¹	14.3 @ 5018	K3500	7.4L V8 F/I	57-3016-1 ¹	21.5 @ 4078
Tahoe	5.7L V8 F/I	57-3013-2 ¹	9.5 @ 4918	S10 Pickup	2.2L L4 F/I	57-3024 ¹	7.5 @ 5224
1998 CHEVROLET				1996 CHEVROLET			
Blazer	4.3L V6 F/I	57-3017-2 ¹	7.4 @ 4671	Blazer	4.3L V6 F/I	57-3017-2 ¹	7.4 @ 4671
C35	5.7L V8 F/I	57-3013-2 ¹	9.5 @ 4918	C35	5.7L V8 F/I	57-3013-2 ¹	9.5 @ 4918
C1500	4.3L V6 F/I	57-3039 ¹	6.0 @ 4476	C1500	4.3L V6 F/I	57-3039 ¹	6.0 @ 4476
C1500	5.0L V8 F/I	57-3013-2 ¹	9.5 @ 4918	C1500	5.0L V8 F/I	57-3013-2 ¹	9.5 @ 4916
C1500	5.7L V8 F/I	57-3013-2 ¹	9.5 @ 4918	C1500	5.7L V8 F/I	57-3013-2 ¹	9.5 @ 4918
C1500 Suburban	5.7L V8 F/I	57-3013-2 ¹	9.5 @ 4918	C1500 Suburban	5.7L V8 F/I	57-3013-2 ¹	9.5 @ 4918
C2500	5.0L V8 F/I	57-3013-2 ¹	9.5 @ 4918	C2500	5.7L V8 F/I	57-3013-2 ¹	9.5 @ 4918
C2500	5.7L V8 F/I	57-3013-2 ¹	9.5 @ 4918	C2500	7.4L V8 F/I	57-3016-1 ¹	21.5 @ 4078
C2500	7.4L V8 F/I	57-3016-1 ¹	21.5 @ 4078	C2500 Suburban	5.7L V8 F/I	57-3013-2 ¹	9.5 @ 4918
C2500 Suburban	5.7L V8 F/I	57-3013-2 ¹	9.5 @ 4918	C2500 Suburban	7.4L V8 F/I	57-3016-1 ¹	21.5 @ 4078
C2500 Suburban	7.4L V8 F/I	57-3016-1 ¹	21.5 @ 4078	C2500 Suburban	7.4L V8 F/I	57-3016-1 ¹	21.5 @ 4078
C3500	5.7L V8 F/I	57-3013-2 ¹	9.5 @ 4918	C3500	5.7L V8 F/I	57-3013-2 ¹	9.5 @ 4918
C3500	7.4L V8 F/I	57-3016-1 ¹	21.5 @ 4078	C3500	7.4L V8 F/I	57-3016-1 ¹	21.5 @ 4078
Camaro	5.7L V8 F/I	57-3022-2 ¹	14.7 @ 5300	Camaro	5.7L V8 F/I - w/o Ram Air or Traction Control	57-3010-1 ¹	18.3 @ 5333
Corvette	5.7L V8 F/I	57-3020 ¹	18.3 @ 5500	Caprice	5.7L V8 F/I	57-3011 ¹	18.8 @ 4760
K1500	5.0L V8 F/I	57-3013-2 ¹	9.5 @ 4918	Impala SS	5.7L V8 F/I	57-3011 ¹	18.8 @ 4760
K1500	5.7L V8 F/I	57-3013-2 ¹	9.5 @ 4918	K1500	4.3L V6 F/I	57-3039 ¹	6.0 @ 4476
K1500 Suburban	5.7L V8 F/I	57-3013-2 ¹	9.5 @ 4918	K1500	5.0L V8 F/I	57-3013-2 ¹	9.5 @ 4916
K2500	5.0L V8 F/I	57-3013-2 ¹	9.5 @ 4918	K1500	5.7L V8 F/I	57-3013-2 ¹	9.5 @ 4918
K2500	5.7L V8 F/I	57-3013-2 ¹	9.5 @ 4918	K1500 Suburban	5.7L V8 F/I	57-3013-2 ¹	9.5 @ 4918
K2500	7.4L V8 F/I	57-3016-1 ¹	21.5 @ 4078	K2500	5.7L V8 F/I	57-3013-2 ¹	9.5 @ 4918
K2500 Suburban	5.7L V8 F/I	57-3013-2 ¹	9.5 @ 4918	K2500	7.4L V8 F/I	57-3016-1 ¹	21.5 @ 4078
K2500 Suburban	7.4L V8 F/I	57-3016-1 ¹	21.5 @ 4078	K2500 Suburban	5.7L V8 F/I	57-3013-2 ¹	9.5 @ 4918
K3500	5.7L V8 F/I	57-3013-2 ¹	9.5 @ 4918	K2500 Suburban	7.4L V8 F/I	57-3016-1 ¹	21.5 @ 4078
K3500	7.4L V8 F/I	57-3016-1 ¹	21.5 @ 4078	K3500	5.7L V8 F/I	57-3013-2 ¹	9.5 @ 4918
S10 Pickup	2.2L L4 F/I	57-3025-1 ¹	6.7 @ 4700	K3500	7.4L V8 F/I	57-3016-1 ¹	21.5 @ 4078
S10 Pickup	4.3L V6 F/I	57-3017-2 ¹	7.4 @ 4671	S10 Pickup	2.2L L4 F/I	57-3024 ¹	7.5 @ 5224
Tahoe	5.7L V8 F/I	57-3013-2 ¹	9.5 @ 4918	S10 Pickup	4.3L V6 F/I	57-3017-2 ¹	7.4 @ 4671
1997 CHEVROLET				1995 CHEVROLET			
Blazer	4.3L V6 F/I	57-3017-2 ¹	7.4 @ 4671	Blazer	4.3L V6 F/I	57-3009 ¹	7.1 @ 4571
C35	5.7L V8 F/I	57-3013-2 ¹	9.5 @ 4918	C35	5.7L V8 F/I	57-3026 ¹	6.7 @ 4107
C1500	4.3L V6 F/I	57-3039 ¹	6.0 @ 4476			63-1007-1 ²	6.7 @ 4107
C1500	5.0L V8 F/I	57-3013-2 ¹	9.5 @ 4918	C1500	5.0L V8 F/I	63-1007-1 ²	6.7 @ 4107
C1500	5.7L V8 F/I	57-3013-2 ¹	9.5 @ 4918			57-3026 ¹	6.7 @ 4107
C1500 Suburban	5.7L V8 F/I	57-3013-2 ¹	9.5 @ 4918	C1500	5.7L V8 F/I	57-3026 ¹	6.7 @ 4107
C2500	5.7L V8 F/I	57-3013-2 ¹	9.5 @ 4918			63-1007-1 ²	6.7 @ 4107
C2500	7.4L V8 F/I	57-3016-1 ¹	21.5 @ 4078	C1500 Suburban	5.7L V8 F/I	63-1007-1 ²	6.7 @ 4107
C2500 Suburban	5.7L V8 F/I	57-3013-2 ¹	9.5 @ 4918			57-3026 ¹	6.7 @ 4107
C2500 Suburban	7.4L V8 F/I	57-3016-1 ¹	21.5 @ 4078	C2500	5.0L V8 F/I	57-3026 ¹	6.7 @ 4107
C3500	5.7L V8 F/I	57-3013-2 ¹	9.5 @ 4918			63-1007-1 ²	6.7 @ 4107
C3500	7.4L V8 F/I	57-3016-1 ¹	21.5 @ 4078	C2500	5.7L V8 F/I	63-1007-1 ²	6.7 @ 4107
Camaro	5.7L V8 F/I - w/o Ram Air or Traction Control	57-3010-1 ¹	18.3 @ 5331			57-3026 ¹	6.7 @ 4107
Corvette	5.7L V8 F/I	57-3020 ¹	18.3 @ 5500	C2500	7.4L V8 F/I	57-3027 ¹	7.4 @ 3571
K1500	4.3L V6 F/I	57-3039 ¹	6.0 @ 4476			63-1007-1 ²	6.7 @ 4107
K1500	5.0L V8 F/I	57-3013-2 ¹	9.5 @ 4918	C2500	7.4L V8 F/I - w/o heat stove	57-3014 ¹	17.6 @ 3811
K1500	5.7L V8 F/I	57-3013-2 ¹	9.5 @ 4918	C2500 Suburban	5.7L V8 F/I	63-1007-1 ²	6.7 @ 4107
K1500 Suburban	5.7L V8 F/I	57-3013-2 ¹	9.5 @ 4918			57-3026 ¹	6.7 @ 4107
K2500	5.7L V8 F/I	57-3013-2 ¹	9.5 @ 4918	C2500 Suburban	7.4L V8 F/I	57-3027 ¹	7.4 @ 3571
K2500	7.4L V8 F/I	57-3016-1 ¹	21.5 @ 4078			63-1007-1 ²	6.7 @ 4107
K2500 Suburban	5.7L V8 F/I	57-3013-2 ¹	9.5 @ 4918	C2500 Suburban	7.4L V8 F/I	57-3027 ¹	7.4 @ 3571
K2500 Suburban	7.4L V8 F/I	57-3016-1 ¹	21.5 @ 4078			63-1007-1 ²	6.7 @ 4107
K3500	5.7L V8 F/I	57-3013-2 ¹	9.5 @ 4918				

1) Street legal in all US states. 2) Not legal for sale or use on any pollution controlled motor vehicle in California or states adopting California emission procedures.

* Estimated horsepower gains are based on specific or similar vehicle dyno tests. Results will vary. See Page 478 for more information. Partial Listing - Complete List of Vehicles and Applications at knfilters.com. See page 5 for information on intake tube materials/colors.

CHEVROLET

AIR INTAKE SYSTEMS

Vehicle	Engine Type	Part Number	Estimated Horsepower*	Vehicle	Engine Type	Part Number	Estimated Horsepower*
1995 CHEVROLET				1994 CHEVROLET			
C2500 Suburban	7.4L V8 F/I - w/o heat stove	57-3014 ¹	17.6 @ 3811	C2500	7.4L V8 F/I	57-3027 ¹	7.4 @ 3571
C3500	5.7L V8 F/I	57-3026 ¹	6.7 @ 4107	C2500	7.4L V8 F/I - w/o heat stove	57-3014 ¹	17.6 @ 3811
C3500	7.4L V8 F/I	63-1007-1 ²	6.7 @ 4107	C2500 Suburban	5.7L V8 F/I	57-3026 ¹	6.7 @ 4107
C3500	7.4L V8 F/I - w/o heat stove	57-3027 ¹	7.4 @ 3571	C2500 Suburban	7.4L V8 F/I	63-1007-1 ²	6.7 @ 4107
Camaro	3.4L V6 F/I - w/o Ram Air or Traction Control	63-1007-1 ²	6.7 @ 4107	C2500 Suburban	7.4L V8 F/I - w/o heat stove	57-3027 ¹	7.4 @ 3571
Camaro	5.7L V8 F/I - w/o Ram Air or Traction Control	57-3014 ¹	17.6 @ 3810	C2500 Suburban	5.7L V8 F/I	63-1007-1 ²	6.7 @ 4107
Caprice	5.7L V8 F/I	57-3010-1 ¹	18.3 @ 5331	C3500	7.4L V8 F/I - w/o heat stove	57-3014 ¹	17.6 @ 3811
Impala SS	5.7L V8 F/I	57-3010-1 ¹	18.3 @ 5331	C3500	5.7L V8 F/I	57-3026 ¹	6.7 @ 4107
K1500	5.0L V8 F/I	63-1007-1 ²	6.7 @ 4107	C3500	7.4L V8 F/I	63-1007-1 ²	6.7 @ 4107
K1500	5.7L V8 F/I	57-3026 ¹	6.7 @ 4107	C3500	7.4L V8 F/I - w/o heat stove	57-3027 ¹	7.4 @ 3571
K1500 Suburban	5.7L V8 F/I	63-1007-1 ²	6.7 @ 4107	C3500	5.0L V8 F/I	57-3014 ¹	17.6 @ 3811
K2500	5.0L V8 F/I	57-3026 ¹	6.7 @ 4107	Camaro	3.4L V6 F/I - w/o Ram Air or Traction Control	57-3010-1 ¹	18.3 @ 5331
K2500	5.7L V8 F/I	63-1007-1 ²	6.7 @ 4107	Camaro	5.7L V8 F/I - w/o Ram Air or Traction Control	57-3010-1 ¹	18.3 @ 5331
K2500	7.4L V8 F/I	57-3026 ¹	6.7 @ 4107	Caprice	5.7L V8 F/I	57-3011 ¹	18.8 @ 4760
K2500	7.4L V8 F/I - w/o heat stove	63-1007-1 ²	6.7 @ 4107	Impala SS	5.7L V8 F/I	57-3011 ¹	18.8 @ 4760
K2500 Suburban	5.7L V8 F/I	57-3026 ¹	6.7 @ 4107	K1500	5.0L V8 F/I	63-1007-1 ²	6.7 @ 4107
K2500 Suburban	7.4L V8 F/I	63-1007-1 ²	6.7 @ 4107	K1500	5.7L V8 F/I	57-3026 ¹	6.7 @ 4107
K2500 Suburban	7.4L V8 F/I - w/o heat stove	57-3027 ¹	7.4 @ 3571	K1500	5.7L V8 F/I	63-1007-1 ²	6.7 @ 4107
K3500	5.7L V8 F/I	63-1007-1 ²	6.7 @ 4107	K1500 Suburban	5.7L V8 F/I	57-3026 ¹	10.3 @ 4237
K3500	7.4L V8 F/I	57-3026 ¹	6.7 @ 4107	K2500	5.0L V8 F/I	63-1007-1 ²	6.7 @ 4107
K3500	7.4L V8 F/I - w/o heat stove	63-1007-1 ²	6.7 @ 4107	K2500	5.7L V8 F/I	57-3026 ¹	6.7 @ 4107
S10 Pickup	2.2L L4 F/I	57-3027 ¹	7.4 @ 3571	K2500	7.4L V8 F/I	63-1007-1 ²	6.7 @ 4107
S10 Pickup	4.3L V6 CPI	57-3014 ¹	17.6 @ 3811	K2500	7.4L V8 F/I - w/o heat stove	57-3027 ¹	7.4 @ 3571
S10 Pickup	4.3L V6 TBI	57-3026 ¹	6.7 @ 4107	K2500 Suburban	5.7L V8 F/I	57-3014 ¹	17.6 @ 3811
Tahoe	5.7L V8 F/I	63-1007-1 ²	6.7 @ 4107	K2500 Suburban	7.4L V8 F/I - w/o heat stove	63-1007-1 ²	6.7 @ 4107
1994 CHEVROLET				1993 CHEVROLET			
Blazer	5.7L V8 F/I	57-3024 ¹	7.5 @ 5224	Blazer	5.7L V8 F/I	63-1007-1 ²	6.7 @ 4107
C1500	5.0L V8 F/I	57-3009 ¹	7.1 @ 4572	C1500	5.0L V8 F/I	57-3026 ¹	6.7 @ 4107
C1500	5.7L V8 F/I	57-3029 ¹	4.7 @ 3971	C1500	5.7L V8 F/I	63-1007-1 ²	6.7 @ 4107
C1500 Suburban	5.7L V8 F/I	57-3026 ¹	6.7 @ 4107	C1500	7.4L V8 F/I	57-3026 ¹	6.7 @ 4107
C2500	5.0L V8 F/I	63-1007-1 ²	6.7 @ 4107	C1500	7.4L V8 F/I - w/o heat stove	63-1007-1 ²	6.7 @ 4107
C2500	5.7L V8 F/I	57-3026 ¹	6.7 @ 4107	S10 Blazer	4.3L V6 TBI	57-3029 ¹	4.7 @ 3971
C2500	7.4L V8 F/I	63-1007-1 ²	6.7 @ 4107	S10 Pickup	2.2L L4 F/I	57-3024 ¹	7.5 @ 5224
C2500	7.4L V8 F/I	57-3027 ¹	7.4 @ 3571	S10 Pickup	4.3L V6 CPI	57-3009 ¹	7.1 @ 4571
C2500	7.4L V8 F/I	63-1007-1 ²	6.7 @ 4107	S10 Pickup	4.3L V6 TBI	57-3029 ¹	4.7 @ 3971

1) Street legal in all US states. 2) Not legal for sale or use on any pollution controlled motor vehicle in California or states adopting California emission procedures.

* Estimated horsepower gains are based on specific or similar vehicle dyno tests. Results will vary. See Page 478 for more information. Partial Listing - Complete List of Vehicles and Applications at knfilters.com. See page 5 for information on intake tube materials/colors.

AIR INTAKE SYSTEMS

CHEVROLET

Vehicle	Engine Type	Part Number	Estimated Horsepower*	Vehicle	Engine Type	Part Number	Estimated Horsepower*
1993 CHEVROLET				1992 CHEVROLET			
C1500	7.4L V8 F/I	57-3027 ¹	7.4 @ 3571	C1500	5.0L V8 F/I	63-1007-1 ²	6.7 @ 4107
C1500 Suburban	5.7L V8 F/I	63-1007-1 ²	6.7 @ 4107	C1500	5.7L V8 F/I	57-3026 ¹	6.7 @ 4107
		57-3026 ¹	6.7 @ 4107			63-1007-1 ²	6.7 @ 4107
C2500	5.0L V8 F/I	57-3026 ¹	6.7 @ 4107	C1500	7.4L V8 F/I	57-3027 ¹	7.4 @ 3571
		63-1007-1 ²	6.7 @ 4107			63-1007-1 ²	6.7 @ 4107
C2500	5.7L V8 F/I	57-3026 ¹	6.7 @ 4107	C1500 Suburban	5.7L V8 F/I	63-1007-1 ²	6.7 @ 4107
		63-1007-1 ²	6.7 @ 4107			57-3026 ¹	6.7 @ 4107
C2500	7.4L V8 F/I	63-1007-1 ²	6.7 @ 4107	C2500	5.0L V8 F/I	63-1007-1 ²	6.7 @ 4107
		57-3027 ¹	7.4 @ 3571			57-3026 ¹	6.7 @ 4107
C2500	7.4L V8 F/I - w/o heat stove	57-3014 ¹	17.6 @ 3811	C2500	5.7L V8 F/I	63-1007-1 ²	6.7 @ 4107
						57-3026 ¹	6.7 @ 4107
C2500 Suburban	5.7L V8 F/I	57-3026 ¹	6.7 @ 4107	C2500	7.4L V8 F/I	57-3027 ¹	7.4 @ 3571
		63-1007-1 ²	6.7 @ 4107			63-1007-1 ²	6.7 @ 4107
C2500 Suburban	7.4L V8 F/I	57-3027 ¹	7.4 @ 3571	C2500	7.4L V8 F/I - w/o heat stove	57-3014 ¹	17.6 @ 3811
		63-1007-1 ²	6.7 @ 4107				
C2500 Suburban	7.4L V8 F/I - w/o heat stove	57-3014 ¹	17.6 @ 3811	C2500 Suburban	5.7L V8 F/I	57-3026 ¹	6.7 @ 4107
						63-1007-1 ²	6.7 @ 4107
C3500	5.7L V8 F/I	63-1007-1 ²	6.7 @ 4107	C2500 Suburban	7.4L V8 F/I	57-3027 ¹	7.4 @ 3571
		57-3026 ¹	6.7 @ 4107			63-1007-1 ²	6.7 @ 4107
C3500	7.4L V8 F/I	57-3027 ¹	7.4 @ 3571	C2500 Suburban	7.4L V8 F/I - w/o heat stove	57-3014 ¹	17.6 @ 3811
		63-1007-1 ²	6.7 @ 4107				
C3500	7.4L V8 F/I - w/o heat stove	57-3014 ¹	17.6 @ 3811	C3500	5.7L V8 F/I	57-3026 ¹	6.7 @ 4107
						63-1007-1 ²	6.7 @ 4107
Camaro	3.4L V6 F/I - w/o Ram Air or Traction Control	57-3010-1 ¹	18.3 @ 5331	C3500	7.4L V8 F/I	57-3027 ¹	7.4 @ 3571
						63-1007-1 ²	6.7 @ 4107
Camaro	5.7L V8 F/I - w/o Ram Air or Traction Control	57-3010-1 ¹	18.3 @ 5331	C3500	7.4L V8 F/I - w/o heat stove	57-3014 ¹	17.6 @ 3811
K1500	5.0L V8 F/I	63-1007-1 ²	6.7 @ 4107	K1500	5.0L V8 F/I	63-1007-1 ²	6.7 @ 4107
		57-3026 ¹	6.7 @ 4107			57-3026 ¹	6.7 @ 4107
K1500	5.7L V8 F/I	63-1007-1 ²	6.7 @ 4107	K1500	5.7L V8 F/I	63-1007-1 ²	6.7 @ 4107
		57-3026 ¹	6.7 @ 4107			57-3026 ¹	6.7 @ 4107
K1500 Suburban	5.7L V8 F/I	63-1007-1 ²	6.7 @ 4107	K1500 Suburban	5.7L V8 F/I	57-3026 ¹	6.7 @ 4107
		57-3026 ¹	6.7 @ 4107			63-1007-1 ²	6.7 @ 4107
K2500	5.0L V8 F/I	63-1007-1 ²	6.7 @ 4107	K2500	5.0L V8 F/I	63-1007-1 ²	6.7 @ 4107
		57-3026 ¹	6.7 @ 4107			57-3026 ¹	6.7 @ 4107
K2500	5.7L V8 F/I	63-1007-1 ²	6.7 @ 4107	K2500	5.7L V8 F/I	63-1007-1 ²	6.7 @ 4107
		57-3026 ¹	6.7 @ 4107			57-3026 ¹	6.7 @ 4107
K2500	7.4L V8 F/I	63-1007-1 ²	6.7 @ 4107	K2500	7.4L V8 F/I	63-1007-1 ²	6.7 @ 4107
		57-3027 ¹	7.4 @ 3571			57-3026 ¹	6.7 @ 4107
K2500	7.4L V8 F/I - w/o heat stove	57-3014 ¹	17.6 @ 3811	K2500	7.4L V8 F/I	63-1007-1 ²	6.7 @ 4107
						57-3027 ¹	7.4 @ 3571
K2500 Suburban	5.7L V8 F/I	63-1007-1 ²	6.7 @ 4107	K2500	7.4L V8 F/I - w/o heat stove	57-3014 ¹	17.6 @ 3811
		57-3026 ¹	6.7 @ 4107				
K2500 Suburban	7.4L V8 F/I	63-1007-1 ²	6.7 @ 4107	K2500 Suburban	5.7L V8 F/I	63-1007-1 ²	6.7 @ 4107
		57-3027 ¹	7.4 @ 3571			57-3026 ¹	6.7 @ 4107
K2500 Suburban	7.4L V8 F/I - w/o heat stove	57-3014 ¹	17.6 @ 3811	K2500 Suburban	7.4L V8 F/I	63-1007-1 ²	6.7 @ 4107
						57-3027 ¹	7.4 @ 3571
K3500	5.7L V8 F/I	63-1007-1 ²	6.7 @ 4107	K2500 Suburban	7.4L V8 F/I - w/o heat stove	57-3014 ¹	17.6 @ 3811
		57-3026 ¹	6.7 @ 4107				
K3500	7.4L V8 F/I	63-1007-1 ²	6.7 @ 4107	K3500	5.7L V8 F/I	57-3026 ¹	6.7 @ 4107
		57-3027 ¹	7.4 @ 3571			63-1007-1 ²	6.7 @ 4107
K3500	7.4L V8 F/I - w/o heat stove	57-3014 ¹	17.6 @ 3811	K3500	7.4L V8 F/I	63-1007-1 ²	6.7 @ 4107
						57-3027 ¹	7.4 @ 3571
S10 Blazer	4.3L V6 TBI	57-3028 ¹		K3500	7.4L V8 F/I - w/o heat stove	57-3014 ¹	17.6 @ 3811
S10 Pickup	4.3L V6 TBI	57-3028 ¹		S10 Pickup	4.3L V6 TBI	57-3028 ¹	
1992 CHEVROLET				1991 CHEVROLET			
Blazer	5.7L V8 F/I	63-1007-1 ²	6.7 @ 4107	Blazer	5.7L V8 F/I	63-1007-1 ²	6.7 @ 4107
		57-3026 ¹	6.7 @ 4107	C1500	5.0L V8 F/I	57-3026 ¹	6.7 @ 4107
C1500	5.0L V8 F/I	57-3026 ¹	6.7 @ 4107			63-1007-1 ²	6.7 @ 4107

1) Street legal in all US states. 2) Not legal for sale or use on any pollution controlled motor vehicle in California or states adopting California emission procedures.

* Estimated horsepower gains are based on specific or similar vehicle dyno tests. Results will vary. See Page 478 for more information. Partial Listing - Complete List of Vehicles and Applications at knfilters.com. See page 5 for information on intake tube materials/colors.

CHEVROLET

AIR INTAKE SYSTEMS

Vehicle	Engine Type	Part Number	Estimated Horsepower*	Vehicle	Engine Type	Part Number	Estimated Horsepower*
1991 CHEVROLET				1990 CHEVROLET			
C1500	5.7L V8 F/I	63-1007-1 ²	6.7 @ 4107	K1500	5.7L V8 F/I	57-3026 ¹	6.7 @ 4107
		57-3026 ¹	6.7 @ 4107			63-1007-1 ²	6.7 @ 4107
C1500	7.4L V8 F/I	57-3027 ¹	7.4 @ 3571	K2500	5.0L V8 F/I	63-1007-1 ²	6.7 @ 4107
		63-1007-1 ²	6.7 @ 4107			57-3026 ¹	6.7 @ 4107
C2500	5.0L V8 F/I	63-1007-1 ²	6.7 @ 4107	K2500	5.7L V8 F/I	57-3026 ¹	6.7 @ 4107
		57-3026 ¹	6.7 @ 4107			63-1007-1 ²	6.7 @ 4107
C2500	5.7L V8 F/I	57-3026 ¹	6.7 @ 4107	K3500	5.7L V8 F/I	63-1007-1 ²	6.7 @ 4107
		63-1007-1 ²	6.7 @ 4107			57-3026 ¹	6.7 @ 4107
C2500	7.4L V8 F/I	63-1007-1 ²	6.7 @ 4107	K3500	7.4L V8 F/I	63-1007-1 ²	6.7 @ 4107
		57-3027 ¹	7.4 @ 3571			57-3027 ¹	7.4 @ 3571
C3500	5.7L V8 F/I	63-1007-1 ²	6.7 @ 4107	R1500 Suburban	5.7L V8 F/I	63-1007-1 ²	6.7 @ 4107
		57-3026 ¹	6.7 @ 4107	R2500 Suburban	5.7L V8 F/I	63-1007-1 ²	6.7 @ 4107
C3500	7.4L V8 F/I	57-3027 ¹	7.4 @ 3571	R2500 Suburban	7.4L V8 F/I	63-1007-1 ²	6.7 @ 4107
		63-1007-1 ²	6.7 @ 4107	R3500	5.7L V8 F/I	63-1007-1 ²	6.7 @ 4107
K1500	5.0L V8 F/I	63-1007-1 ²	6.7 @ 4107	R3500	7.4L V8 F/I	63-1007-1 ²	6.7 @ 4107
		57-3026 ¹	6.7 @ 4107	S10 Blazer	4.3L V6 F/I	57-3028 ¹	6.7 @ 4107
K1500	5.7L V8 F/I	57-3026 ¹	6.7 @ 4107	S10 Pickup	4.3L V6 F/I	57-3028 ¹	6.7 @ 4107
		63-1007-1 ²	6.7 @ 4107	V1500 Suburban	5.7L V8 F/I	63-1007-1 ²	6.7 @ 4107
K2500	5.0L V8 F/I	57-3026 ¹	6.7 @ 4107	V2500 Suburban	5.7L V8 F/I	63-1007-1 ²	6.7 @ 4107
		63-1007-1 ²	6.7 @ 4107	V2500 Suburban	7.4L V8 F/I	63-1007-1 ²	6.7 @ 4107
K2500	5.7L V8 F/I	63-1007-1 ²	6.7 @ 4107	V3500	5.7L V8 F/I	63-1007-1 ²	6.7 @ 4107
		57-3026 ¹	6.7 @ 4107	V3500	7.4L V8 F/I	63-1007-1 ²	6.7 @ 4107
K2500	7.4L V8 F/I	63-1007-1 ²	6.7 @ 4107	1989 CHEVROLET			
		57-3027 ¹	7.4 @ 3571	Blazer	5.7L V8 F/I	63-1007-1 ²	6.7 @ 4107
K3500	5.7L V8 F/I	63-1007-1 ²	6.7 @ 4107	C1500	5.0L V8 F/I	57-3026 ¹	6.7 @ 4107
		57-3026 ¹	6.7 @ 4107			63-1007-1 ²	6.7 @ 4107
K3500	7.4L V8 F/I	63-1007-1 ²	6.7 @ 4107	C1500	5.7L V8 F/I	57-3026 ¹	6.7 @ 4107
		57-3027 ¹	7.4 @ 3571			63-1007-1 ²	6.7 @ 4107
R1500 Suburban	5.7L V8 F/I	63-1007-1 ²	6.7 @ 4107	C2500	5.0L V8 F/I	63-1007-1 ²	6.7 @ 4107
R2500 Suburban	5.7L V8 F/I	63-1007-1 ²	6.7 @ 4107			57-3026 ¹	6.7 @ 4107
R2500 Suburban	7.4L V8 F/I	63-1007-1 ²	6.7 @ 4107	C2500	5.7L V8 F/I	57-3026 ¹	6.7 @ 4107
R3500	5.7L V8 F/I	63-1007-1 ²	6.7 @ 4107			63-1007-1 ²	6.7 @ 4107
R3500	7.4L V8 F/I	63-1007-1 ²	6.7 @ 4107	C3500	5.7L V8 F/I	63-1007-1 ²	6.7 @ 4107
S10 Blazer	4.3L V6 F/I	57-3028 ¹	6.7 @ 4107			57-3026 ¹	6.7 @ 4107
S10 Pickup	4.3L V6 F/I	57-3028 ¹	6.7 @ 4107	C3500	7.4L V8 F/I	63-1007-1 ²	6.7 @ 4107
V1500 Suburban	5.7L V8 F/I	63-1007-1 ²	6.7 @ 4107			57-3027 ¹	7.4 @ 3573
V2500 Suburban	5.7L V8 F/I	63-1007-1 ²	6.7 @ 4107	K1500	5.0L V8 F/I	63-1007-1 ²	6.7 @ 4107
V3500	5.7L V8 F/I	63-1007-1 ²	6.7 @ 4107			57-3026 ¹	6.7 @ 4107
V3500	7.4L V8 F/I	63-1007-1 ²	6.7 @ 4107	K1500	5.7L V8 F/I	57-3026 ¹	6.7 @ 4107
1990 CHEVROLET						63-1007-1 ²	6.7 @ 4107
Blazer	5.7L V8 F/I	63-1007-1 ²	6.7 @ 4107	K2500	5.0L V8 F/I	57-3026 ¹	6.7 @ 4107
C1500	5.0L V8 F/I	63-1007-1 ²	6.7 @ 4107			63-1007-1 ²	6.7 @ 4107
		57-3026 ¹	6.7 @ 4107	K2500	5.7L V8 F/I	57-3026 ¹	6.7 @ 4107
C1500	5.7L V8 F/I	57-3026 ¹	6.7 @ 4107			63-1007-1 ²	6.7 @ 4107
		63-1007-1 ²	6.7 @ 4107	K3500	5.7L V8 F/I	63-1007-1 ²	6.7 @ 4107
C1500	7.4L V8 F/I	63-1007-1 ²	6.7 @ 4107			57-3026 ¹	6.7 @ 4107
C2500	5.0L V8 F/I	63-1007-1 ²	6.7 @ 4107	K3500	7.4L V8 F/I	63-1007-1 ²	6.7 @ 4107
		57-3026 ¹	6.7 @ 4107			57-3027 ¹	7.4 @ 3571
C2500	5.7L V8 F/I	63-1007-1 ²	6.7 @ 4107	R1500 Suburban	5.7L V8 F/I	63-1007-1 ²	6.7 @ 4107
		57-3026 ¹	6.7 @ 4107	R2500	5.7L V8 F/I	63-1007-1 ²	6.7 @ 4107
C3500	5.7L V8 F/I	57-3026 ¹	6.7 @ 4107	R2500	7.4L V8 F/I	63-1007-1 ²	6.7 @ 4107
		63-1007-1 ²	6.7 @ 4107	R2500 Suburban	5.7L V8 F/I	63-1007-1 ²	6.7 @ 4107
C3500	7.4L V8 F/I	57-3027 ¹	7.4 @ 3571	R2500 Suburban	7.4L V8 F/I	63-1007-1 ²	6.7 @ 4107
		63-1007-1 ²	6.7 @ 4107	R3500	5.7L V8 F/I	63-1007-1 ²	6.7 @ 4107
K1500	5.0L V8 F/I	57-3026 ¹	6.7 @ 4107	R3500	7.4L V8 F/I	63-1007-1 ²	6.7 @ 4107
		63-1007-1 ²	6.7 @ 4107	S10 Blazer	4.3L V6 F/I	57-3028 ¹	6.7 @ 4107

1) Street legal in all US states. 2) Not legal for sale or use on any pollution controlled motor vehicle in California or states adopting California emission procedures.

* Estimated horsepower gains are based on specific or similar vehicle dyno tests. Results will vary. See Page 478 for more information. Partial Listing - Complete List of Vehicles and Applications at knfilters.com. See page 5 for information on intake tube materials/colors.

AIR INTAKE SYSTEMS

CHEVROLET

Vehicle	Engine Type	Part Number	Estimated Horsepower*	Vehicle	Engine Type	Part Number	Estimated Horsepower*
1989 CHEVROLET				2015 CHRYSLER			
S10 Pickup	4.3L V6 F/I	57-3028 ¹		300	6.4L V8 F/I	69-2545TP ²	22.2 @ 5216
V1500 Suburban	5.7L V8 F/I	63-1007-1 ²	6.7 @ 4107			63-1565 ²	21.9 @ 5216
V2500 Suburban	5.7L V8 F/I	63-1007-1 ²	6.7 @ 4107			71-2545 ²	9.1 @ 4564
V3500	7.4L V8 F/I	63-1007-1 ²	6.7 @ 4107	300C	3.6L V6 F/I	69-2544TP ²	7.4 @ 5095
1988 CHEVROLET						63-1564 ²	8.1 @ 5231
Blazer	5.7L V8 F/I	63-1007-1 ²	6.7 @ 4107	300C	5.7L V8 F/I	71-1542 ²	14.1 @ 4188
C1500	5.0L V8 F/I	63-1007-1 ²	6.7 @ 4107			63-1114 ²	11.8 @ 4513
		57-3026 ¹	6.7 @ 4107			69-2526TP ²	11.7 @ 4854
C1500	5.7L V8 F/I	57-3026 ¹	6.7 @ 4107	2014 CHRYSLER			
		63-1007-1 ²	6.7 @ 4107	200	2.4L L4 F/I	69-2549TS ²	11.0 @ 5645
C2500	5.0L V8 F/I	57-3026 ¹	6.7 @ 4107	300	3.6L V6 F/I	69-2544TP ²	7.4 @ 5095
		63-1007-1 ²	6.7 @ 4107			63-1564 ²	8.1 @ 5231
C2500	5.7L V8 F/I	63-1007-1 ²	6.7 @ 4107	300	5.7L V8 F/I	69-2526TP ²	11.7 @ 4854
		57-3026 ¹	6.7 @ 4107			63-1114 ²	11.8 @ 4513
C3500	5.7L V8 F/I	63-1007-1 ²	6.7 @ 4107	300	6.4L V8 F/I	71-2545 ²	9.1 @ 4564
		57-3026 ¹	6.7 @ 4107			69-2545TP ²	22.2 @ 5216
C3500	7.4L V8 F/I	57-3027 ¹	7.4 @ 3571	300C	3.6L V6 F/I	69-2544TP ²	7.4 @ 5095
		63-1007-1 ²	6.7 @ 4107			63-1564 ²	8.1 @ 5231
K1500	5.0L V8 F/I	63-1007-1 ²	6.7 @ 4107	300C	5.7L V8 F/I	63-1114 ²	11.8 @ 4513
		57-3026 ¹	6.7 @ 4107			71-1542 ²	14.1 @ 4188
K1500	5.7L V8 F/I	63-1007-1 ²	6.7 @ 4107			69-2526TP ²	11.7 @ 4854
		57-3026 ¹	6.7 @ 4107	2013 CHRYSLER			
K2500	5.0L V8 F/I	63-1007-1 ²	6.7 @ 4107	200	2.4L L4 F/I	69-2549TS ²	11.0 @ 5645
		57-3026 ¹	6.7 @ 4107	300	3.6L V6 F/I	69-2544TP ²	7.4 @ 5095
K2500	5.7L V8 F/I	63-1007-1 ²	6.7 @ 4107			63-1564 ²	8.1 @ 5231
		57-3026 ¹	6.7 @ 4107	300	5.7L V8 F/I	69-2526TP ²	11.7 @ 4854
K3500	5.7L V8 F/I	63-1007-1 ²	6.7 @ 4107			63-1114 ²	11.8 @ 4513
		57-3026 ¹	6.7 @ 4107	300	6.4L V8 F/I	69-2545TP ²	22.2 @ 5216
K3500	7.4L V8 F/I	57-3027 ¹	7.4 @ 3571			63-1565 ²	21.9 @ 5216
		63-1007-1 ²	6.7 @ 4107	300C	5.7L V8 F/I	71-2545 ²	9.1 @ 4564
R10 Suburban	5.7L V8 F/I	63-1007-1 ²	6.7 @ 4107			71-1542 ²	14.1 @ 4188
R20	5.7L V8 F/I	63-1007-1 ²	6.7 @ 4107			63-1114 ²	11.8 @ 4513
R20	7.4L V8 F/I	63-1007-1 ²	6.7 @ 4107			69-2526TP ²	11.7 @ 4854
R20 Suburban	5.7L V8 F/I	63-1007-1 ²	6.7 @ 4107	2012 CHRYSLER			
R20 Suburban	7.4L V8 F/I	63-1007-1 ²	6.7 @ 4107	200	2.4L L4 F/I	69-2549TS ²	11.0 @ 5645
R30	5.7L V8 F/I	63-1007-1 ²	6.7 @ 4107	200	3.6L V6 F/I	69-2546TS ²	8.4 @ 5506
R30	7.4L V8 F/I	63-1007-1 ²	6.7 @ 4107	300	3.6L V6 F/I	69-2544TP ²	7.4 @ 5095
S10 Blazer	4.3L V6 F/I	57-3028 ¹				63-1564 ²	8.1 @ 5231
S10 Pickup	4.3L V6 F/I	57-3028 ¹				63-1114 ²	11.8 @ 4513
V10 Suburban	5.7L V8 F/I	63-1007-1 ²	6.7 @ 4107			69-2526TP ²	11.7 @ 4854
V20 Suburban	5.7L V8 F/I	63-1007-1 ²	6.7 @ 4107	300	5.7L V8 F/I	69-2545TP ²	22.2 @ 5216
V20 Suburban	7.4L V8 F/I	63-1007-1 ²	6.7 @ 4107			71-2545 ²	9.1 @ 4564
V30	7.4L V8 F/I	63-1007-1 ²	6.7 @ 4107			63-1565 ²	21.9 @ 5216
		57-3027 ¹	7.4 @ 3571	300C	5.7L V8 F/I	69-2526TP ²	11.7 @ 4854
2016 CHRYSLER						71-1542 ²	14.1 @ 4188
200	2.4L L4 F/I	69-2551TS ²				63-1114 ²	11.8 @ 4513
200	3.6L V6 F/I	63-1572 ²	10.5 @ 5010	2011 CHRYSLER			
300	3.6L V6 F/I	63-1564 ²	8.1 @ 5231	300	3.6L V6 F/I	63-1564 ²	8.1 @ 5231
		69-2544TP ²	7.4 @ 5095			69-2544TP ²	7.4 @ 5095
2015 CHRYSLER				300C	5.7L V8 F/I	69-2526TP ²	11.7 @ 4854
200	3.6L V6 F/I	63-1572 ²	10.5 @ 5010			63-1114 ²	11.8 @ 4513
300	3.6L V6 F/I	63-1564 ²	8.1 @ 5231			71-1542 ²	14.1 @ 4188
		69-2544TP ²	7.4 @ 5095			63-1114 ²	11.8 @ 4513
300	5.7L V8 F/I	69-2526TP ²	11.7 @ 4854			71-1542 ²	14.1 @ 4188
		63-1114 ²	11.8 @ 4513				

1) Street legal in all US states. 2) Not legal for sale or use on any pollution controlled motor vehicle in California or states adopting California emission procedures.

* Estimated horsepower gains are based on specific or similar vehicle dyno tests. Results will vary. See Page 478 for more information. Partial Listing - Complete List of Vehicles and Applications at knfilters.com. See page 5 for information on intake tube materials/colors.

CHRYSLER

AIR INTAKE SYSTEMS

Vehicle	Engine Type	Part Number	Estimated Horsepower*	Vehicle	Engine Type	Part Number	Estimated Horsepower*
2010 CHRYSLER				2006 CHRYSLER			
300	2.7L V6 F/I	57-1544 ¹	7.3 @ 5693	300C	6.1L V8 F/I	71-1542 ²	14.1 @ 4188
300	3.5L V6 F/I	57-1543 ¹	11.7 @ 6215			69-2526TP ¹	11.7 @ 4854
300C	5.7L V8 F/I	57-1542 ¹	21.1 @ 5216			57-1542 ¹	21.1 @ 5216
		71-1542 ²	14.1 @ 4188	PT Cruiser	2.4L L4 F/I - Exc. Turbo	57-1550 ¹	7.2 @ 5004
		69-2526TP ¹	11.7 @ 4854	PT Cruiser	2.4L L4 F/I - Turbo	57-1551 ¹	12.1 @ 5086
300C	6.1L V8 F/I	69-2526TP ¹	11.7 @ 4854			69-2541TB ¹	11.1 @ 4508
		57-1542 ¹	21.1 @ 5216			69-2541TP ¹	11.1 @ 4508
		71-1542 ²	14.1 @ 4188	2005 CHRYSLER			
PT Cruiser	2.4L L4 F/I - Exc. Turbo	57-1550 ¹	7.2 @ 5004	300	2.7L V6 F/I	57-1544 ¹	7.3 @ 5693
2009 CHRYSLER				300	3.5L V6 F/I	57-1543 ¹	11.7 @ 6215
300	2.7L V6 F/I	57-1544 ¹	7.3 @ 5693	300C	5.7L V8 F/I	57-1542 ¹	21.1 @ 5216
300	3.5L V6 F/I	57-1543 ¹	11.7 @ 6215			69-2526TP ¹	11.7 @ 4854
300C	5.7L V8 F/I	71-1542 ¹	14.1 @ 4188			71-1542 ²	14.1 @ 4188
		57-1542 ¹	21.1 @ 5216	300C	6.1L V8 F/I	71-1542 ²	14.1 @ 4188
		69-2526TP ¹	11.7 @ 4854			57-1542 ¹	21.1 @ 5216
300C	6.1L V8 F/I	57-1542 ¹	21.1 @ 5216			69-2526TP ¹	11.7 @ 4854
		69-2526TP ¹	11.7 @ 4854	Neon II	2.0L L4 F/I	69-2520TR ²	5.3 @ 4641
		71-1542 ²	14.1 @ 4188			69-2520TP ²	5.3 @ 4641
PT Cruiser	2.4L L4 F/I - Exc. Turbo	57-1550 ¹	7.2 @ 5004	PT Cruiser	2.4L L4 F/I - Exc. Turbo	57-1515-1 ¹	5.9 @ 5486
2008 CHRYSLER				PT Cruiser	2.4L L4 F/I - Turbo	69-2541TB ¹	11.1 @ 4508
300	2.7L V6 F/I	57-1544 ¹	7.3 @ 5693			69-2541TP ¹	11.1 @ 4508
300	3.5L V6 F/I	57-1543 ¹	11.7 @ 6215			57-1531 ¹	12.0 @ 5086
300C	5.7L V8 F/I	57-1542 ¹	21.1 @ 5216	2004 CHRYSLER			
		71-1542 ²	14.1 @ 4188	300M	3.5L V6 F/I	57-1522 ¹	8.5 @ 5482
		69-2526TP ¹	11.7 @ 4854	Neon II	2.0L L4 F/I	69-2520TR ²	5.3 @ 4641
300C	6.1L V8 F/I	57-1542 ¹	21.1 @ 5216			69-2520TP ²	5.3 @ 4641
		69-2526TP ¹	11.7 @ 4854	PT Cruiser	2.4L L4 F/I - Exc. Turbo	57-1515-1 ¹	5.9 @ 5486
		71-1542 ²	14.1 @ 4188	PT Cruiser	2.4L L4 F/I - Turbo	57-1531 ¹	12.0 @ 5086
PT Cruiser	2.4L L4 F/I - Exc. Turbo	57-1550 ¹	7.2 @ 5004			69-2541TB ¹	11.1 @ 4508
PT Cruiser	2.4L L4 F/I - Turbo	69-2541TP ¹	11.1 @ 4508			69-2541TP ¹	11.1 @ 4508
		69-2541TB ¹	11.1 @ 4508	2003 CHRYSLER			
		63-1551 ²	12.1 @ 5086	300M	3.5L V6 F/I	57-1522 ¹	8.5 @ 5482
		57-1551 ¹	12.1 @ 5086	Neon II	2.0L L4 F/I	69-2520TP ²	5.3 @ 4641
2007 CHRYSLER						69-2520TR ²	5.3 @ 4641
300	2.7L V6 F/I	57-1544 ¹	7.3 @ 5693	PT Cruiser	2.4L L4 F/I - Exc. Turbo	57-1515-1 ¹	5.9 @ 5486
300	3.5L V6 F/I	57-1543 ¹	11.7 @ 6215	PT Cruiser	2.4L L4 F/I - Turbo	57-1531 ¹	12.0 @ 5086
300C	5.7L V8 F/I	57-1542 ¹	21.1 @ 5216			69-2541TP ¹	11.1 @ 4508
		69-2526TP ¹	11.7 @ 4854			69-2541TB ¹	11.1 @ 4508
		71-1542 ²	14.1 @ 4188	2002 CHRYSLER			
300C	6.1L V8 F/I	69-2526TP ¹	11.7 @ 4854	300M	3.5L V6 F/I	57-1522 ¹	8.5 @ 5482
		71-1542 ²	14.1 @ 4188	Neon	2.0L L4 F/I	69-2520TR ²	5.3 @ 4641
		57-1542 ¹	21.1 @ 5216			69-2520TP ²	5.3 @ 4641
Aspen	5.7L V8 F/I	57-1539 ¹	17.5 @ 5053	Neon II	2.0L L4 F/I	69-2520TR ²	5.3 @ 4641
		77-1539KP ¹	15.6 @ 5148			69-2520TP ²	5.3 @ 4641
PT Cruiser	2.4L L4 F/I - Exc. Turbo	57-1550 ¹	7.2 @ 5004	PT Cruiser	2.4L L4 F/I	57-1515-1 ¹	5.9 @ 5486
PT Cruiser	2.4L L4 F/I - Turbo	69-2541TB ¹	11.1 @ 4508	2001 CHRYSLER			
		63-1551 ²	12.1 @ 5086	300M	3.5L V6 F/I	57-1522 ¹	8.5 @ 5482
		69-2541TP ¹	11.1 @ 4508	Neon	2.0L L4 F/I	69-2520TR ²	5.3 @ 4641
		57-1551 ¹	12.1 @ 5086			69-2520TP ²	5.3 @ 4641
2006 CHRYSLER				Neon II	2.0L L4 F/I	69-2520TP ²	5.3 @ 4641
300	2.7L V6 F/I	57-1544 ¹	7.3 @ 5693			69-2520TR ²	5.3 @ 4641
300	3.5L V6 F/I	57-1543 ¹	11.7 @ 6215	PT Cruiser	2.4L L4 F/I	57-1515-1 ¹	5.9 @ 5486
300C	5.7L V8 F/I	69-2526TP ¹	18.2 @ 5217	2000 CHRYSLER			
		71-1542 ²	14.1 @ 4188	300M	3.5L V6 F/I	57-1522 ¹	8.5 @ 5482
		57-1542 ¹	21.1 @ 5216				

1) Street legal in all US states. 2) Not legal for sale or use on any pollution controlled motor vehicle in California or states adopting California emission procedures.

* Estimated horsepower gains are based on specific or similar vehicle dyno tests. Results will vary. See Page 478 for more information. Partial Listing - Complete List of Vehicles and Applications at knfilters.com. See page 5 for information on intake tube materials/colors.

AIR INTAKE SYSTEMS

CHRYSLER

Vehicle	Engine Type	Part Number	Estimated Horsepower*	Vehicle	Engine Type	Part Number	Estimated Horsepower*
2000 CHRYSLER				2014 DODGE			
Neon	2.0L L4 F/I	69-2520TP ²	5.3 @ 4641	Charger	3.6L V6 F/I	69-2544TP ²	7.4 @ 5095
		69-2520TR ²	5.3 @ 4641			63-1564 ²	8.1 @ 5231
Neon II	2.0L L4 F/I	69-2520TR ²	5.3 @ 4641	Charger	5.7L V8 F/I	69-2526TP ²	11.7 @ 4854
		69-2520TP ²	5.3 @ 4641			71-1542 ²	14.1 @ 4188
1999 CHRYSLER						63-1114 ²	11.8 @ 4513
Neon II	2.0L L4 F/I	69-2520TR ²	5.3 @ 4641	Charger	6.4L V8 F/I	69-2545TP ²	22.2 @ 5216
		69-2520TP ²	5.3 @ 4641			71-2545 ²	9.1 @ 4564
2016 DODGE						63-1565 ²	21.9 @ 5216
Challenger	3.6L V6 F/I	69-2544TP ²	7.4 @ 5095	Dart	1.4L L4 F/I	69-2548TS ²	7.3 @ 4467
		63-1564 ²	8.1 @ 5231	Dart	2.0L L4 F/I	69-2547TS ²	3.9 @ 5955
Challenger	6.2L V8 F/I	69-2550TTK ²	39.0 @ 5713	Durango	3.6L V6 F/I	77-1560KTK ²	10.8 @ 5447
Challenger	6.4L V8 F/I	63-1565 ²	21.9 @ 5216	Durango	5.7L V8 F/I	77-1563KP ²	15.0 @ 4500
		71-2545 ²	9.1 @ 4564			63-1563 ²	17.0 @ 4944
		69-2545TP ²	22.2 @ 5216	Ram 1500 Pickup	3.6L V6 F/I	77-1564KS ²	12.0 @ 6371
Charger	3.6L V6 F/I	69-2544TP ²	7.4 @ 5095	Ram 1500 Pickup	5.7L V8 F/I	63-1561 ²	15.7 @ 4688
		63-1564 ²	8.1 @ 5231			71-1561 ²	7.2 @ 4643
Charger	6.2L V8 F/I	69-2550TTK ²	39.0 @ 5713	Ram 2500 Pickup	5.7L V8 F/I	77-1561KP ²	10.3 @ 4382
Charger	6.4L V8 F/I	63-1565 ²	21.9 @ 5216			71-1561 ²	7.2 @ 4643
		69-2545TP ²	22.2 @ 5216	Ram 2500 Pickup	6.4L V8 F/I	77-1561KP ²	10.3 @ 4382
		71-2545 ²	9.1 @ 4564			63-1561 ²	15.7 @ 4688
Dart	2.0L L4 F/I	69-2547TS ²	3.9 @ 5955	Ram 2500 Pickup	6.7L L6 DSL	77-1568KTK ²	15.6 @ 5005
2015 DODGE				Ram 2500 Pickup	6.7L L6 DSL	63-1568 ²	14.7 @ 2500
Challenger	3.6L V6 F/I	63-1564 ²	8.1 @ 5231	Ram 3500 Pickup	6.4L V8 F/I	77-1568KTK ²	15.6 @ 5005
		69-2544TP ²	7.4 @ 5095	Ram 3500 Pickup	6.7L L6 DSL	63-1568 ²	14.7 @ 2500
Challenger	5.7L V8 F/I	63-1114 ²	11.8 @ 4513	2013 DODGE			
		69-2526TP ²	11.7 @ 4854	Avenger	2.4L L4 F/I	69-2549TS ²	11.0 @ 5645
		71-1542 ²	14.1 @ 4188	Avenger	3.6L V6 F/I	69-2546TS ²	8.4 @ 5506
Challenger	6.2L V8 F/I	69-2550TTK ²	39.0 @ 5713	Challenger	3.6L V6 F/I	63-1564 ²	8.1 @ 5231
Challenger	6.4L V8 F/I	69-2545TP ²	22.2 @ 5216			69-2544TP ²	7.4 @ 5095
		71-2545 ²	9.1 @ 4564	Challenger	5.7L V8 F/I	71-1542 ²	14.1 @ 4188
		63-1565 ²	21.9 @ 5216			63-1114 ²	11.8 @ 4513
Charger	3.6L V6 F/I	63-1564 ²	8.1 @ 5231	Challenger	6.4L V8 F/I	69-2526TP ²	11.7 @ 4854
		69-2544TP ²	7.4 @ 5095			63-1565 ²	21.9 @ 5216
Charger	5.7L V8 F/I	63-1114 ²	11.8 @ 4513	Charger	3.6L V6 F/I	69-2545TP ²	22.2 @ 5216
		69-2526TP ²	11.7 @ 4854			71-2545 ²	9.1 @ 4564
		71-1542 ²	14.1 @ 4188	Charger	5.7L V8 F/I	63-1564 ²	8.1 @ 5231
Charger	6.2L V8 F/I	69-2550TTK ²	39.0 @ 5713	Charger	6.4L V8 F/I	69-2544TP ²	7.4 @ 5095
Charger	6.4L V8 F/I	71-2545 ²	9.1 @ 4564	Charger	5.7L V8 F/I	69-2526TP ²	11.7 @ 4854
		69-2545TP ²	22.2 @ 5216			63-1114 ²	11.8 @ 4513
		63-1565 ²	21.9 @ 5216	Charger	6.4L V8 F/I	71-1542 ²	14.1 @ 4188
Dart	2.0L L4 F/I	69-2547TS ²	3.9 @ 5955	Charger	6.4L V8 F/I	63-1565 ²	21.9 @ 5216
Durango	3.6L V6 F/I	77-1560KTK ²	10.8 @ 5447			69-2545TP ²	22.2 @ 5216
Durango	5.7L V8 F/I	63-1563 ²	17.0 @ 4944	Dart	1.4L L4 F/I	71-2545 ²	9.1 @ 4564
		77-1563KP ²	15.0 @ 4500	Dart	2.0L L4 F/I	69-2548TS ²	7.3 @ 4467
2014 DODGE				Durango	3.6L V6 F/I	69-2547TS ²	3.9 @ 5955
Avenger	2.4L L4 F/I	69-2549TS ²	11.0 @ 5645	Durango	5.7L V8 F/I	77-1560KTK ²	10.8 @ 5447
Avenger	3.6L V6 F/I	69-2546TS ²	8.4 @ 5506			77-1563KP ²	15.0 @ 4500
Challenger	3.6L V6 F/I	69-2544TP ²	7.4 @ 5095	Ram 1500 Pickup	3.6L V6 F/I	63-1563 ²	17.0 @ 4944
		63-1564 ²	8.1 @ 5231	Ram 1500 Pickup	5.7L V8 F/I	77-1564KS ²	12.0 @ 6371
Challenger	5.7L V8 F/I	69-2526TP ²	11.7 @ 4854			63-1561 ²	15.7 @ 4688
		63-1114 ²	11.8 @ 4513	Ram 2500 Pickup	5.7L V8 F/I	71-1561 ²	7.2 @ 4643
		71-1542 ²	14.1 @ 4188			77-1561KP ²	10.3 @ 4382
Challenger	6.4L V8 F/I	69-2545TP ²	22.2 @ 5216	Ram 2500 Pickup	6.7L L6 DSL	77-1561KP ²	10.3 @ 4382
		71-2545 ²	9.1 @ 4564			63-1561 ²	15.7 @ 4688
		63-1565 ²	21.9 @ 5216	Ram 2500 Pickup	6.7L L6 DSL	71-1561 ²	7.2 @ 4643
						63-1568 ²	14.7 @ 2500

1) Street legal in all US states. 2) Not legal for sale or use on any pollution controlled motor vehicle in California or states adopting California emission procedures.

* Estimated horsepower gains are based on specific or similar vehicle dyno tests. Results will vary. See Page 478 for more information. Partial Listing - Complete List of Vehicles and Applications at knfilters.com. See page 5 for information on intake tube materials/colors.

DODGE

AIR INTAKE SYSTEMS

Vehicle	Engine Type	Part Number	Estimated Horsepower*	Vehicle	Engine Type	Part Number	Estimated Horsepower*
2013 DODGE				2011 DODGE			
Ram 3500 Pickup	6.7L L6 DSL	63-1568 ²	14.7 @ 2500	Ram 1500 Pickup	4.7L V8 F/I	57-1529 ¹	8.6 @ 4688
Viper	8.4L V10 F/I	69-2528TTK ²	13.9 @ 5273			63-1529 ²	10.8 @ 4695
2012 DODGE				Ram 1500 Pickup	5.7L V8 F/I	71-1561 ²	7.2 @ 4643
Avenger	2.4L L4 F/I	69-2549TS ²	11.0 @ 5645			63-1561 ²	15.7 @ 4688
Avenger	3.6L V6 F/I	69-2546TS ²	8.4 @ 5506			57-1561 ¹	15.7 @ 4688
Challenger	3.6L V6 F/I	69-2544TP ²	7.4 @ 5095			77-1561KP ¹	10.3 @ 4382
		63-1564 ²	8.1 @ 5231	Ram 2500 Pickup	6.7L L6 DSL	71-1562 ²	7.2 @ 3010
Challenger	5.7L V8 F/I	69-2526TP ²	11.7 @ 4854			63-1562 ²	8.2 @ 2919
		71-1542 ²	14.1 @ 4188	Ram 3500 Pickup	6.7L L6 DSL	63-1562 ²	8.2 @ 2919
		63-1114 ²	11.8 @ 4513			71-1562 ²	7.2 @ 3010
Challenger	6.4L V8 F/I	71-2545 ²	9.1 @ 4564	2010 DODGE			
		69-2545TP ²	22.2 @ 5216	Avenger	2.4L L4 F/I	69-2542TS ²	9.4 @ 5969
		63-1565 ²	21.9 @ 5216	Avenger	3.5L V6 F/I	69-2543TTK ¹	12.3 @ 5493
Charger	3.6L V6 F/I	63-1564 ²	8.1 @ 5231	Caliber	1.8L L4 F/I	57-1552 ¹	7.9 @ 4557
		69-2544TP ²	7.4 @ 5095	Caliber	2.0L L4 F/I	57-1552 ¹	7.9 @ 4557
Charger	5.7L V8 F/I	69-2526TP ²	11.7 @ 4854	Caliber	2.4L L4 F/I	57-1552 ¹	7.9 @ 4557
		63-1114 ²	11.8 @ 4513	Challenger	3.5L V6 F/I	57-1543 ¹	11.7 @ 6215
		71-1542 ²	14.1 @ 4188	Challenger	5.7L V8 F/I	57-1542 ¹	21.1 @ 5216
Charger	6.4L V8 F/I	71-2545 ²	9.1 @ 4564			71-1542 ²	14.1 @ 4188
		69-2545TP ²	22.2 @ 5216			69-2526TP ¹	11.7 @ 4854
		63-1565 ²	21.9 @ 5216	Challenger	6.1L V8 F/I	71-1542 ²	14.1 @ 4188
Durango	3.6L V6 F/I	77-1560KTK ²	10.8 @ 5447			69-2526TP ¹	11.7 @ 4854
Durango	5.7L V8 F/I	63-1563 ²	17.0 @ 4944			57-1542 ¹	21.1 @ 5216
		77-1563KP ²	15.0 @ 4500	Charger	2.7L V6 F/I	57-1544 ¹	7.3 @ 5693
Ram 1500 Pickup	4.7L V8 F/I	77-1529KP ²	6.8 @ 4743	Charger	3.5L V6 F/I	57-1543 ¹	11.7 @ 6215
		63-1529 ²	8.6 @ 4688	Charger	5.7L V8 F/I	57-1542 ¹	21.1 @ 5216
Ram 1500 Pickup	5.7L V8 F/I	71-1561 ²	7.2 @ 4643			71-1542 ²	14.1 @ 4188
		63-1561 ²	15.7 @ 4688			69-2526TP ¹	11.7 @ 4854
		77-1561KP ²	10.3 @ 4382	Charger	6.1L V8 F/I	57-1542 ¹	21.1 @ 5216
Ram 2500 Pickup	6.7L L6 DSL	63-1562 ²	8.2 @ 2919			71-1542 ²	14.1 @ 4188
		71-1562 ²	7.2 @ 3010			69-2526TP ¹	11.7 @ 4854
Ram 3500 Pickup	6.7L L6 DSL	63-1562 ²	8.2 @ 2919	Dakota	4.7L V8 F/I	57-1546 ¹	9.2 @ 4524
		71-1562 ²	7.2 @ 3010			77-1546KP ¹	7.3 @ 4475
2011 DODGE				Nitro	3.7L V6 F/I	77-1562KTK ²	9.2 @ 4876
Avenger	3.6L V6 F/I	69-2546TS ²	8.4 @ 5506	Nitro	4.0L V6 F/I	63-1556 ²	8.7 @ 5006
Challenger	3.6L V6 F/I	63-1564 ²	8.1 @ 5231			57-1556 ¹	8.7 @ 5006
		69-2544TP ²	7.4 @ 5095	Ram 1500 Pickup	3.7L V6 F/I	57-1537 ¹	7.4 @ 5223
Challenger	5.7L V8 F/I	69-2526TP ²	11.7 @ 4854	Ram 1500 Pickup	4.7L V8 F/I	77-1529KP ¹	6.8 @ 4743
		71-1542 ²	14.1 @ 4188			57-1529 ¹	8.6 @ 4688
		63-1114 ²	11.8 @ 4513			63-1529 ²	8.6 @ 4688
Challenger	6.4L V8 F/I	63-1565 ²	21.9 @ 5216	Ram 1500 Pickup	5.7L V8 F/I	77-1561KP ¹	10.3 @ 4382
		69-2545TP ²	22.2 @ 5216			57-1561 ¹	15.7 @ 4688
		71-2545 ²	9.1 @ 4564			63-1561 ²	15.7 @ 4688
Charger	3.6L V6 F/I	63-1564 ²	8.1 @ 5231	Ram 2500 Pickup	6.7L L6 DSL	71-1561 ²	7.2 @ 4643
		69-2544TP ²	7.4 @ 5095			63-1562 ²	8.2 @ 2919
Charger	5.7L V8 F/I	63-1114 ²	11.8 @ 4513	Ram 3500 Pickup	6.7L L6 DSL	71-1562 ²	7.2 @ 3010
		69-2526TP ²	11.7 @ 4854			63-1562 ²	8.2 @ 2919
		71-1542 ²	14.1 @ 4188	Viper	8.4L V10 F/I	71-1562 ²	7.2 @ 3010
Durango	3.6L V6 F/I	77-1560KTK ²	10.8 @ 5447			69-2527TTR ¹	18.7 @ 5300
Durango	5.7L V8 F/I	77-1563KP ²	15.0 @ 4500	2009 DODGE			
		63-1563 ²	17.0 @ 4944	Avenger	2.4L L4 F/I	69-2542TS ²	9.4 @ 5969
Nitro	3.7L V6 F/I	77-1562KTK ²	9.2 @ 4876	Avenger	3.5L V6 F/I	69-2543TTK ¹	12.3 @ 5493
Nitro	4.0L V6 F/I	57-1556 ¹	8.7 @ 5006	Caliber	1.8L L4 F/I	57-1552 ¹	7.9 @ 4557
		63-1556 ²	8.7 @ 5006	Caliber	2.0L L4 F/I	57-1552 ¹	7.9 @ 4557
Ram 1500 Pickup	3.7L V6 F/I	63-1537 ²	7.4 @ 5223	Caliber	2.4L L4 F/I	57-1552 ¹	7.9 @ 4557
Ram 1500 Pickup	4.7L V8 F/I	77-1529KP ¹	6.8 @ 4743	Caliber SRT-4	2.4L L4 F/I	63-1560 ²	10.9 @ 5500

1) Street legal in all US states. 2) Not legal for sale or use on any pollution controlled motor vehicle in California or states adopting California emission procedures.

* Estimated horsepower gains are based on specific or similar vehicle dyno tests. Results will vary. See Page 478 for more information. Partial Listing - Complete List of Vehicles and Applications at knfilters.com. See page 5 for information on intake tube materials/colors.

AIR INTAKE SYSTEMS

DODGE

Vehicle	Engine Type	Part Number	Estimated Horsepower*	Vehicle	Engine Type	Part Number	Estimated Horsepower*
2009 DODGE				2008 DODGE			
Caliber SRT-4	2.4L L4 F/I	57-1560 ¹	10.9 @ 5500	Charger	6.1L V8 F/I	57-1542 ¹	21.1 @ 5216
Challenger	3.5L V6 F/I	57-1543 ¹	11.7 @ 6215	Dakota	3.7L V6 F/I	77-1558KP ¹	6.1 @ 4200
Challenger	5.7L V8 F/I	71-1542 ²	14.1 @ 4188			57-1558 ¹	9.2 @ 4200
		57-1542 ¹	21.1 @ 5216	Dakota	4.7L V8 F/I	77-1546KP ¹	7.3 @ 4475
		69-2526TP ¹	11.7 @ 4854			57-1546 ¹	9.2 @ 4524
Challenger	6.1L V8 F/I	69-2526TP ¹	11.7 @ 4854	Durango	4.7L V8 F/I	57-1538 ¹	16.8 @ 4588
		71-1542 ²	14.1 @ 4188			77-1538KP ¹	8.9 @ 4406
		57-1542 ¹	21.1 @ 5216	Durango	5.7L V8 F/I	77-1539KP ¹	15.6 @ 5148
Charger	2.7L V6 F/I	57-1544 ¹	7.3 @ 5693			57-1539 ¹	17.5 @ 5053
Charger	3.5L V6 F/I	57-1543 ¹	11.7 @ 6215	Magnum	2.7L V6 F/I	57-1544 ¹	7.3 @ 5693
Charger	5.7L V8 F/I	57-1542 ¹	21.1 @ 5216	Magnum	3.5L V6 F/I	57-1543 ¹	11.7 @ 6215
		69-2526TP ¹	11.7 @ 4854	Magnum	5.7L V8 F/I	71-1542 ²	14.1 @ 4188
		71-1542 ²	14.1 @ 4188			69-2526TP ¹	11.7 @ 4854
Charger	6.1L V8 F/I	57-1542 ¹	21.1 @ 5216			57-1542 ¹	21.1 @ 5216
		71-1542 ²	14.1 @ 4188	Magnum	6.1L V8 F/I	57-1542 ¹	21.1 @ 5216
		69-2526TP ¹	11.7 @ 4854			71-1542 ²	14.1 @ 4188
Dakota	4.7L V8 F/I	57-1546 ¹	9.2 @ 4524			69-2526TP ¹	11.7 @ 4854
		77-1546KP ¹	7.3 @ 4475	Nitro	3.7L V6 F/I	77-1554KP ¹	11.6 @ 4270
Durango	4.7L V8 F/I	57-1538 ¹	16.8 @ 4588			57-1554 ¹	11.7 @ 4270
		77-1538KP ¹	8.9 @ 4406	Nitro	4.0L V6 F/I	57-1556 ¹	8.7 @ 5006
Durango	5.7L V8 F/I	63-1094 ²	17.5 @ 5053			63-1556 ²	8.7 @ 5006
		77-1539KP ¹	15.6 @ 5148	Ram 1500 Pickup	3.7L V6 F/I	57-1537 ¹	7.4 @ 5223
		57-1539 ¹	17.5 @ 5053	Ram 1500 Pickup	4.7L V8 F/I	57-1529 ¹	8.6 @ 4688
Nitro	4.0L V6 F/I	57-1556 ¹	8.7 @ 5006			63-1529 ²	8.6 @ 4688
		63-1556 ²	8.7 @ 5006	Ram 1500 Pickup	5.7L V8 F/I	77-1529KP ¹	6.8 @ 4743
Ram 1500 Pickup	3.7L V6 F/I	57-1537 ¹	7.4 @ 5223			57-1533 ¹	10.5 @ 5445
Ram 1500 Pickup	4.7L V8 F/I	57-1529 ¹	8.6 @ 4688	Ram 1500 Pickup	5.7L V8 F/I	71-1533 ²	
		77-1529KP ¹	6.8 @ 4743			77-1533KP ¹	8.3 @ 5391
		63-1529 ²	8.6 @ 4688	Ram 2500 Pickup	5.7L V8 F/I	77-1533KP ¹	8.3 @ 5391
Ram 1500 Pickup	5.7L V8 F/I	57-1561 ¹	15.7 @ 4688			57-1533 ¹	10.5 @ 5445
		71-1561 ²	7.2 @ 4643	Ram 2500 Pickup	6.7L L6 DSL	57-1557 ¹	20.6 @ 2500
		77-1561KP ¹	10.3 @ 4382			71-1557 ²	9.3 @ 2950
		63-1561 ²	15.7 @ 4688	Ram 3500 Pickup	5.7L V8 F/I	57-1533 ¹	10.5 @ 5445
Ram 2500 Pickup	6.7L L6 DSL	57-1557 ¹	20.6 @ 2500			77-1533KP ¹	8.3 @ 5391
		71-1557 ²	9.3 @ 2950	Ram 3500 Pickup	6.7L L6 DSL	57-1557 ¹	20.6 @ 2500
Ram 3500 Pickup	6.7L L6 DSL	71-1557 ²	9.3 @ 2950			71-1557 ²	9.3 @ 2950
		57-1557 ¹	20.6 @ 2500	Viper	8.4L V10 F/I	69-2527TTR ¹	18.7 @ 5300
Viper	8.4L V10 F/I	69-2527TTR ¹	18.7 @ 5300	2007 DODGE			
2008 DODGE				Caliber	1.8L L4 F/I	57-1552 ¹	7.9 @ 4557
Avenger	2.4L L4 F/I	69-2542TS ²	9.4 @ 5369	Caliber	2.0L L4 F/I	57-1552 ¹	7.9 @ 4557
Avenger	3.5L V6 F/I	69-2543TTK ¹	12.3 @ 5493	Caliber	2.4L L4 F/I	57-1552 ¹	7.9 @ 4557
Caliber	1.8L L4 F/I	57-1552 ¹	7.9 @ 4557	Charger	2.7L V6 F/I	57-1544 ¹	7.3 @ 5693
Caliber	2.0L L4 F/I	57-1552 ¹	7.9 @ 4557	Charger	3.5L V6 F/I	57-1543 ¹	11.7 @ 6215
Caliber	2.4L L4 F/I	57-1552 ¹	7.9 @ 4557	Charger	5.7L V8 F/I	57-1542 ¹	21.1 @ 5216
Caliber SRT-4	2.4L L4 F/I	63-1560 ²	10.9 @ 5500			71-1542 ²	14.1 @ 4188
		57-1560 ¹	10.9 @ 5500	Charger	6.1L V8 F/I	69-2526TP ¹	11.7 @ 4854
Challenger	6.1L V8 F/I	69-2526TP ¹	11.7 @ 4854			71-1542 ²	14.1 @ 4188
		57-1542 ¹	31.4 @ 5217			57-1542 ¹	21.1 @ 5216
		71-1542 ²	14.1 @ 4188	Dakota	3.7L V6 F/I	69-2526TP ¹	11.7 @ 4854
Charger	2.7L V6 F/I	57-1544 ¹	7.3 @ 5693			77-1558KP ¹	6.1 @ 4200
Charger	3.5L V6 F/I	57-1543 ¹	11.7 @ 6215	Dakota	4.7L V8 F/I	57-1558 ¹	9.2 @ 4200
Charger	5.7L V8 F/I	69-2526TP ¹	11.7 @ 4854			77-1546KP ¹	7.3 @ 4475
		71-1542 ²	14.1 @ 4188			57-1546 ¹	9.2 @ 4524
		57-1542 ¹	21.1 @ 5216	Durango	4.7L V8 F/I	57-1538 ¹	16.8 @ 4588
Charger	6.1L V8 F/I	71-1542 ²	14.1 @ 4188			77-1538KP ¹	8.9 @ 4406
		69-2526TP ¹	11.7 @ 4854	Durango	5.7L V8 F/I	57-1539 ¹	17.5 @ 5053

1) Street legal in all US states. 2) Not legal for sale or use on any pollution controlled motor vehicle in California or states adopting California emission procedures.

* Estimated horsepower gains are based on specific or similar vehicle dyno tests. Results will vary. See Page 478 for more information. Partial Listing - Complete List of Vehicles and Applications at knfilters.com. See page 5 for information on intake tube materials/colors.

DODGE

AIR INTAKE SYSTEMS

Vehicle	Engine Type	Part Number	Estimated Horsepower*	Vehicle	Engine Type	Part Number	Estimated Horsepower*
2007 DODGE				2006 DODGE			
Durango	5.7L V8 F/I	77-1539KP ¹	15.6 @ 5148	Ram 1500 Pickup	3.7L V6 F/I	57-1537 ¹	7.4 @ 5223
Magnum	2.7L V6 F/I	57-1544 ¹	7.3 @ 5693	Ram 1500 Pickup	4.7L V8 F/I	57-1529 ¹	8.6 @ 4688
Magnum	3.5L V6 F/I	57-1543 ¹	11.7 @ 6215			77-1529KP ¹	6.8 @ 4743
Magnum	5.7L V8 F/I	69-2526TP ¹	11.7 @ 4854	Ram 1500 Pickup	5.7L V8 F/I	71-1533 ²	
		57-1542 ¹	21.1 @ 5216			57-1533 ¹	10.5 @ 5445
		71-1542 ²	14.1 @ 4188			77-1533KP ¹	8.3 @ 5391
Magnum	6.1L V8 F/I	57-1542 ¹	21.1 @ 5216	Ram 2500 Pickup	5.7L V8 F/I	57-1533 ¹	10.5 @ 5445
		69-2526TP ¹	11.7 @ 4854			77-1533KP ¹	8.3 @ 5391
		71-1542 ²	14.1 @ 4188	Ram 2500 Pickup	5.9L L6 DSL	57-1532 ¹	11.0 @ 2852
Nitro	3.7L V6 F/I	57-1554 ¹	11.7 @ 4270			71-1532 ²	8.1 @ 2400
		77-1554KP ¹	11.6 @ 4270	Ram 3500 Pickup	5.7L V8 F/I	77-1533KP ¹	8.3 @ 5391
Nitro	4.0L V6 F/I	57-1556 ¹	8.7 @ 5006			57-1533 ¹	10.5 @ 5445
		63-1556 ²	8.7 @ 5006	Ram 3500 Pickup	5.9L L6 DSL	71-1532 ²	8.1 @ 2400
Ram 1500 Pickup	3.7L V6 F/I	57-1537 ¹	7.4 @ 5223			57-1532 ¹	11.0 @ 2852
Ram 1500 Pickup	4.7L V8 F/I	57-1529 ¹	8.6 @ 4688	Ram SRT-10	8.3L V10 F/I	57-1541 ¹	19.8 @ 4867
		77-1529KP ¹	6.8 @ 4743	Viper	8.3L V10 F/I	57-1536 ¹	14.1 @ 5300
Ram 1500 Pickup	5.7L V8 F/I	57-1533 ¹	10.5 @ 5445	2005 DODGE			
		77-1533KP ¹	8.3 @ 5391	Dakota	3.7L V6 F/I	77-1547KP ¹	6.0 @ 4943
		71-1533 ²				57-1547 ¹	8.7 @ 4749
Ram 2500 Pickup	5.7L V8 F/I	57-1533 ¹	10.5 @ 5445	Dakota	4.7L V8 F/I	77-1546KP ¹	7.3 @ 4475
		77-1533KP ¹	8.3 @ 5391			57-1546 ¹	9.2 @ 4524
Ram 2500 Pickup	5.9L L6 DSL	71-1532 ²	8.1 @ 2400	Durango	4.7L V8 F/I	77-1538KP ¹	8.9 @ 4406
		57-1532 ¹	11.0 @ 2852			57-1538 ¹	16.8 @ 4588
Ram 2500 Pickup	6.7L L6 DSL	57-1557 ¹	20.6 @ 2500	Durango	5.7L V8 F/I	57-1539 ¹	17.5 @ 5053
		71-1557 ²	9.3 @ 2950			77-1539KP ¹	15.6 @ 5148
Ram 3500 Pickup	5.7L V8 F/I	77-1533KP ¹	8.3 @ 5391	Magnum	2.7L V6 F/I	57-1544 ¹	7.3 @ 5693
		57-1533 ¹	10.5 @ 5445	Magnum	3.5L V6 F/I	57-1543 ¹	11.7 @ 6214
Ram 3500 Pickup	5.9L L6 DSL	57-1532 ¹	11.0 @ 2852	Magnum	5.7L V8 F/I	57-1542 ¹	21.1 @ 5216
		71-1532 ²	8.1 @ 2400			69-2526TP ¹	11.7 @ 4854
Ram 3500 Pickup	6.7L L6 DSL	57-1557 ¹	20.6 @ 2500	Neon	2.0L L4 F/I	71-1542 ²	14.1 @ 4188
		71-1557 ²	9.3 @ 2950			57-1534 ¹	4.8 @ 5600
2006 DODGE						69-2520TR ¹	5.3 @ 4641
Charger	2.7L V6 F/I	57-1544 ¹	7.3 @ 5693			69-2520TP ¹	5.3 @ 4641
Charger	3.5L V6 F/I	57-1543 ¹	11.7 @ 6215	Neon SRT-4	2.4L L4 F/I	69-2521TP ¹	12.2 @ 5312
Charger	5.7L V8 F/I	71-1542 ²	14.1 @ 4188			57-1535 ¹	9.8 @ 5500
		69-2526TP ¹	11.7 @ 4854	Ram 1500 Pickup	3.7L V6 F/I	69-2521TB ¹	12.2 @ 5312
		57-1542 ¹	21.1 @ 5216			57-1537 ¹	7.4 @ 5223
Charger	6.1L V8 F/I	57-1542 ¹	21.1 @ 5216	Ram 1500 Pickup	4.7L V8 F/I	57-1529 ¹	8.6 @ 4688
		69-2526TP ¹	11.7 @ 4854			77-1529KP ¹	6.8 @ 4743
		71-1542 ²	14.1 @ 4188	Ram 1500 Pickup	5.7L V8 F/I	77-1533KP ¹	8.3 @ 5391
Dakota	3.7L V6 F/I	77-1547KP ¹	6.0 @ 4943			71-1533 ²	
		57-1547 ¹	8.7 @ 4749			57-1533 ¹	10.5 @ 5445
Dakota	4.7L V8 F/I	57-1546 ¹	9.2 @ 4524	Ram 2500 Pickup	5.7L V8 F/I	57-1533 ¹	10.5 @ 5445
		77-1546KP ¹	7.3 @ 4475			77-1533KP ¹	8.3 @ 5391
Durango	4.7L V8 F/I	77-1538KP ¹	8.9 @ 4406	Ram 2500 Pickup	5.9L L6 DSL	71-1532 ²	8.1 @ 2400
		57-1538 ¹	16.8 @ 4588			57-1532 ¹	11.0 @ 2852
Durango	5.7L V8 F/I	57-1539 ¹	17.5 @ 5053	Ram 3500 Pickup	5.7L V8 F/I	77-1533KP ¹	8.3 @ 5391
		77-1539KP ¹	15.6 @ 5148			57-1533 ¹	10.5 @ 5445
Magnum	2.7L V6 F/I	57-1544 ¹	7.3 @ 5693	Ram 3500 Pickup	5.9L L6 DSL	57-1532 ¹	11.0 @ 2852
Magnum	3.5L V6 F/I	57-1543 ¹	11.7 @ 6215			71-1532 ²	8.1 @ 2400
Magnum	5.7L V8 F/I	71-1542 ²	14.1 @ 4188	Ram SRT-10	8.3L V10 F/I	57-1541 ¹	19.8 @ 4867
		69-2526TP ¹	11.7 @ 4854	Viper	8.3L V10 F/I	57-1536 ¹	14.1 @ 5300
		57-1542 ¹	21.1 @ 5216	2004 DODGE			
Magnum	6.1L V8 F/I	71-1542 ²	14.1 @ 4188	Dakota	4.7L V8 F/I	57-1516 ¹	8.0 @ 4470
		69-2526TP ¹	11.7 @ 4854			77-1516KP ¹	7.7 @ 4722
		57-1542 ¹	21.1 @ 5216	Durango	4.7L V8 F/I	77-1538KP ¹	8.9 @ 4406

1) Street legal in all US states. 2) Not legal for sale or use on any pollution controlled motor vehicle in California or states adopting California emission procedures.

* Estimated horsepower gains are based on specific or similar vehicle dyno tests. Results will vary. See Page 478 for more information. Partial Listing - Complete List of Vehicles and Applications at knfilters.com. See page 5 for information on intake tube materials/colors.

AIR INTAKE SYSTEMS

DODGE

Vehicle	Engine Type	Part Number	Estimated Horsepower*	Vehicle	Engine Type	Part Number	Estimated Horsepower*
2004 DODGE				2003 DODGE			
Durango	4.7L V8 F/I	57-1538 ¹	16.8 @ 4588	Ram 3500 Pickup	5.7L V8 F/I	57-1533 ¹	10.5 @ 5445
Durango	5.7L V8 F/I	77-1539KP ¹	15.6 @ 5148	Ram 3500 Pickup	5.9L L6 DSL	77-1533KP ¹	8.3 @ 5391
		57-1539 ¹	17.5 @ 5053	Ram 3500 Pickup	5.9L L6 DSL	57-1532 ¹	11.0 @ 2852
Intrepid	2.7L V6 F/I	57-1523 ¹	4.5 @ 5939	Viper	8.3L V10 F/I	71-1532 ²	8.1 @ 2400
Intrepid SXT	3.5L V6 F/I	57-1522 ¹	8.5 @ 5482			57-1536 ¹	14.1 @ 5300
Neon	2.0L L4 F/I	57-1534 ¹	4.8 @ 5600	2002 DODGE			
		69-2520TR ¹	5.3 @ 4641	Dakota	4.7L V8 F/I	57-1516 ¹	8.0 @ 4470
		69-2520TP ¹	5.3 @ 4641			77-1516KP ¹	7.7 @ 4722
Neon SRT-4	2.4L L4 F/I	69-2521TP ¹	12.2 @ 5312	Dakota	5.9L V8 F/I	57-1517-2 ¹	11.7 @ 4553
		57-1535 ¹	9.8 @ 5500	Durango	4.7L V8 F/I	77-1516KP ¹	7.7 @ 4722
		69-2521TB ¹	12.2 @ 5312			57-1516 ¹	8.0 @ 4470
Ram 1500 Pickup	3.7L V6 F/I	57-1537 ¹	7.4 @ 5223	Durango	5.9L V8 F/I	57-1517-2 ¹	11.7 @ 4553
Ram 1500 Pickup	4.7L V8 F/I	77-1529KP ¹	6.8 @ 4743	Intrepid	2.7L V6 F/I	57-1523 ¹	4.5 @ 5939
		57-1529 ¹	8.6 @ 4688	Intrepid	3.5L V6 F/I	57-1522 ¹	8.5 @ 5482
Ram 1500 Pickup	5.7L V8 F/I	71-1533 ²		Neon	2.0L L4 F/I	57-1534 ¹	4.8 @ 5600
		77-1533KP ¹	8.3 @ 5391			69-2520TR ¹	5.3 @ 4641
		57-1533 ¹	10.5 @ 5445			69-2520TP ¹	5.3 @ 4641
Ram 2500 Pickup	5.7L V8 F/I	77-1533KP ¹	8.3 @ 5391	Neon ACR	2.0L L4 F/I	69-2520TR ¹	5.3 @ 4641
		57-1533 ¹	10.5 @ 5445			69-2520TP ¹	5.3 @ 4641
Ram 2500 Pickup	5.9L L6 DSL	71-1532 ²	8.1 @ 2400			57-1534 ¹	4.8 @ 5600
		57-1532 ¹	11.0 @ 2852	Neon R/T	2.0L L4 F/I	57-1534 ¹	4.8 @ 5600
Ram 3500 Pickup	5.7L V8 F/I	77-1533KP ¹	8.3 @ 5391			69-2520TP ¹	5.3 @ 4641
		57-1533 ¹	10.5 @ 5445			69-2520TR ¹	5.3 @ 4641
Ram 3500 Pickup	5.9L L6 DSL	57-1532 ¹	11.0 @ 2852	Ram 1500 Pickup	3.7L V6 F/I	57-1537 ¹	7.4 @ 5223
		71-1532 ²	8.1 @ 2400	Ram 1500 Pickup	4.7L V8 F/I	77-1529KP ¹	6.8 @ 4743
Ram SRT-10	8.3L V10 F/I	57-1541 ¹	19.8 @ 4867			57-1529 ¹	8.6 @ 4688
Viper	8.3L V10 F/I	57-1536 ¹	14.1 @ 5300	Ram 1500 Pickup	5.9L V8 F/I	57-1530-1 ¹	8.7 @ 4362
2003 DODGE				Ram 2500 Pickup	5.9L L6 DSL	57-1525 ¹	9.2 @ 2560
Dakota	4.7L V8 F/I	77-1516KP ¹	7.7 @ 4722	Ram 2500 Pickup	5.9L V8 F/I	57-1511-2 ¹	11.8 @ 4248
		57-1516 ¹	8.0 @ 4470	Ram 2500 Pickup	8.0L V10 F/I	57-1507 ¹	15.8 @ 4128
Dakota	5.9L V8 F/I	57-1517-2 ¹	11.7 @ 4553	Ram 3500 Pickup	5.9L L6 DSL	57-1525 ¹	9.2 @ 2560
Durango	4.7L V8 F/I	77-1516KP ¹	7.7 @ 4722	Ram 3500 Pickup	8.0L V10 F/I	57-1507 ¹	15.8 @ 4128
		57-1516 ¹	8.0 @ 4470	2001 DODGE			
Durango	5.9L V8 F/I	57-1517-2 ¹	11.7 @ 4553	Dakota	4.7L V8 F/I	77-1516KP ¹	7.7 @ 4722
Intrepid	2.7L V6 F/I	57-1523 ¹	4.5 @ 5939			57-1516 ¹	8.0 @ 4470
Intrepid	3.5L V6 F/I	57-1522 ¹	8.5 @ 5482	Dakota	5.9L V8 F/I	57-1517-2 ¹	11.7 @ 4553
Neon	2.0L L4 F/I	69-2520TR ¹	5.3 @ 4641	Durango	4.7L V8 F/I	77-1516KP ¹	7.7 @ 4722
		69-2520TP ¹	5.3 @ 4641			57-1516 ¹	8.0 @ 4470
		57-1534 ¹	4.8 @ 5600	Durango	5.9L V8 F/I	57-1517-2 ¹	11.7 @ 4553
Neon R/T	2.0L L4 F/I	69-2520TP ¹	5.3 @ 4641	Intrepid	2.7L V6 F/I	57-1523 ¹	4.5 @ 5939
		69-2520TR ¹	5.3 @ 4641	Intrepid	3.5L V6 F/I	57-1522 ¹	8.5 @ 5482
		57-1534 ¹	4.8 @ 5600	Neon	2.0L L4 F/I	69-2520TP ¹	5.3 @ 4641
Neon SRT-4	2.4L L4 F/I	57-1535 ¹	9.8 @ 5500			69-2520TR ¹	5.3 @ 4641
		69-2521TP ¹	12.2 @ 5312	Neon ACR	2.0L L4 F/I	57-1534 ¹	4.8 @ 5600
		69-2521TB ¹	12.2 @ 5312			69-2520TP ¹	5.3 @ 4641
Ram 1500 Pickup	3.7L V6 F/I	57-1537 ¹	7.4 @ 5223			69-2520TR ¹	5.3 @ 4641
Ram 1500 Pickup	4.7L V8 F/I	77-1529KP ¹	6.8 @ 4743	Neon R/T	2.0L L4 F/I	57-1534 ¹	4.8 @ 5600
		57-1529 ¹	8.6 @ 4688			69-2520TP ¹	5.3 @ 4641
Ram 1500 Pickup	5.7L V8 F/I	77-1533KP ¹	8.3 @ 5391			57-1534 ¹	4.8 @ 5600
		71-1533 ²		Ram 1500 Pickup	3.9L V6 F/I	57-1527-1 ¹	5.3 @ 3884
		57-1533 ¹	10.5 @ 5445	Ram 1500 Pickup	5.2L V8 F/I	57-1511-2 ¹	11.8 @ 4248
Ram 1500 Pickup	5.9L V8 F/I	57-1530-1 ¹	8.7 @ 4362	Ram 1500 Pickup	5.9L V8 F/I	57-1511-2 ¹	11.8 @ 4248
Ram 2500 Pickup	5.7L V8 F/I	57-1533 ¹	10.5 @ 5445	Ram 2500 Pickup	5.9L L6 DSL	57-1525 ¹	9.2 @ 2560
		77-1533KP ¹	8.3 @ 5391	Ram 2500 Pickup	5.9L V8 F/I	57-1511-2 ¹	11.8 @ 4248
Ram 2500 Pickup	5.9L L6 DSL	71-1532 ²	8.1 @ 2400	Ram 2500 Pickup	8.0L V10 F/I	57-1507 ¹	15.8 @ 4128
		57-1532 ¹	11.0 @ 2852				

1) Street legal in all US states. 2) Not legal for sale or use on any pollution controlled motor vehicle in California or states adopting California emission procedures.

* Estimated horsepower gains are based on specific or similar vehicle dyno tests. Results will vary. See Page 478 for more information. Partial Listing - Complete List of Vehicles and Applications at knfilters.com. See page 5 for information on intake tube materials/colors.

DODGE

AIR INTAKE SYSTEMS

Vehicle	Engine Type	Part Number	Estimated Horsepower*	Vehicle	Engine Type	Part Number	Estimated Horsepower*
2001 DODGE				1998 DODGE			
Ram 3500 Pickup	5.9L L6 DSL	57-1525 ¹	9.2 @ 2560	Ram 2500 Pickup	5.9L L6 DSL	57-1525 ¹	9.2 @ 2560
Ram 3500 Pickup	8.0L V10 F/I	57-1507 ¹	15.8 @ 4128	Ram 2500 Pickup	5.9L V8 F/I	57-1511-2 ¹	11.8 @ 4248
2000 DODGE				1997 DODGE			
Avenger	2.5L V6 F/I	57-1524 ¹	4.3 @ 5576	Dakota	5.2L V8 F/I	57-1509-1 ¹	10.7 @ 4580
Dakota	4.7L V8 F/I	77-1516KP ¹	7.7 @ 4722	Neon	2.0L L4 F/I - SOHC	57-1512 ¹	6.0 @ 5810
Dakota	5.9L V8 F/I	57-1517-2 ¹	11.7 @ 4553	Ram 1500 Pickup	3.9L V6 F/I	57-1527-1 ¹	5.3 @ 3884
Durango	4.7L V8 F/I	77-1516KP ¹	7.7 @ 4722	Ram 1500 Pickup	5.2L V8 F/I	57-1511-2 ¹	11.8 @ 4248
Durango	5.2L V8 F/I	57-1516 ¹	8.0 @ 4470	Ram 1500 Pickup	5.9L V8 F/I	57-1511-2 ¹	11.8 @ 4248
Durango	5.9L V8 F/I	57-1517-2 ¹	11.7 @ 4553	Ram 1500 Pickup	5.2L V8 F/I	57-1511-2 ¹	11.8 @ 4248
Durango	5.9L V8 F/I	57-1517-2 ¹	11.7 @ 4553	Ram 1500 Pickup	5.9L V8 F/I	57-1511-2 ¹	11.8 @ 4248
Intrepid	2.7L V6 F/I	57-1523 ¹	4.5 @ 5939	Ram 2500 Pickup	5.9L L6 DSL	57-1525 ¹	9.2 @ 2560
Intrepid	3.5L V6 F/I	57-1522 ¹	8.5 @ 5482	Ram 2500 Pickup	5.9L V8 F/I	57-1511-2 ¹	11.8 @ 4248
Neon	2.0L L4 F/I	57-1534 ¹	4.8 @ 5600	Ram 2500 Pickup	8.0L V10 F/I	57-1507 ¹	15.8 @ 4128
Ram 1500 Pickup	3.9L V6 F/I	69-2520TR ¹	5.3 @ 4641	Ram 2500 Pickup	5.9L L6 DSL	57-1525 ¹	9.2 @ 2560
Ram 1500 Pickup	3.9L V6 F/I	69-2520TP ¹	5.3 @ 4641	Ram 2500 Pickup	8.0L V10 F/I	57-1507 ¹	15.8 @ 4128
Ram 1500 Pickup	5.2L V8 F/I	57-1511-2 ¹	11.8 @ 4248	Ram 3500 Pickup	5.9L L6 DSL	57-1525 ¹	9.2 @ 2560
Ram 1500 Pickup	5.9L V8 F/I	57-1503-1 ¹	5.3 @ 3884	Ram 3500 Pickup	8.0L V10 F/I	57-1507 ¹	15.8 @ 4128
Ram 1500 Pickup	5.2L V8 F/I	57-1511-2 ¹	11.8 @ 4248	Ram 3500 Pickup	8.0L V10 F/I	57-1508 ¹	13.4 @ 5363
Ram 1500 Pickup	5.9L V8 F/I	57-1511-2 ¹	11.8 @ 4248	1996 DODGE			
Ram 2500 Pickup	5.9L L6 DSL	57-1525 ¹	9.2 @ 2560	Dakota	3.9L V6 F/I	57-1501 ¹	6.4 @ 4352
Ram 2500 Pickup	5.9L V8 F/I	57-1511-2 ¹	11.8 @ 4248	Dakota	5.2L V8 F/I	57-1501 ¹	6.4 @ 4352
Ram 2500 Pickup	8.0L V10 F/I	57-1507 ¹	15.8 @ 4128	Neon	2.0L L4 F/I - SOHC	57-1512 ¹	6.0 @ 5810
Ram 3500 Pickup	5.9L L6 DSL	57-1525 ¹	9.2 @ 2560	Ram 1500 Pickup	3.9L V6 F/I	57-1527-1 ¹	5.3 @ 3884
Ram 3500 Pickup	8.0L V10 F/I	57-1507 ¹	15.8 @ 4128	Ram 1500 Pickup	5.2L V8 F/I	57-1511-2 ¹	11.8 @ 4248
1999 DODGE				Ram 1500 Pickup	5.9L V8 F/I	57-1511-2 ¹	11.8 @ 4248
Avenger	2.5L V6 F/I	57-1524 ¹	4.3 @ 5576	Ram 2500 Pickup	5.2L V8 F/I	57-1511-2 ¹	11.8 @ 4248
Dakota	5.2L V8 F/I	57-1509-1 ¹	10.7 @ 4580	Ram 2500 Pickup	5.9L L6 DSL	57-1525 ¹	9.2 @ 2560
Dakota	5.9L V8 F/I	57-1509-1 ¹	10.7 @ 4580	Ram 2500 Pickup	5.9L V8 F/I	57-1511-2 ¹	11.8 @ 4248
Durango	5.2L V8 F/I	57-1509-1 ¹	10.7 @ 4580	Ram 2500 Pickup	8.0L V10 F/I	57-1507 ¹	15.8 @ 4128
Durango	5.9L V8 F/I	57-1509-1 ¹	10.7 @ 4580	Ram 2500 Pickup	5.9L L6 DSL	57-1525 ¹	9.2 @ 2560
Intrepid	2.7L V6 F/I	57-1523 ¹	4.5 @ 5939	Ram 3500 Pickup	8.0L V10 F/I	57-1507 ¹	15.8 @ 4128
Neon	2.0L L4 F/I - SOHC	57-1512 ¹	6.0 @ 5810	Stealth	3.0L V6 F/I	57-1500-1 ¹	
Ram 1500 Pickup	3.9L V6 F/I	57-1527-1 ¹	5.3 @ 3884	Viper	8.0L V10 F/I	57-1508 ¹	13.4 @ 5363
Ram 1500 Pickup	3.9L V6 F/I	57-1503-1 ¹		1995 DODGE			
Ram 1500 Pickup	5.2L V8 F/I	57-1511-2 ¹	11.8 @ 4248	Dakota	3.9L V6 F/I	57-1501 ¹	6.4 @ 4352
Ram 1500 Pickup	5.9L V8 F/I	57-1511-2 ¹	11.8 @ 4248	Dakota	5.2L V8 F/I	57-1501 ¹	6.4 @ 4352
Ram 2500 Pickup	5.9L L6 DSL	57-1525 ¹	9.2 @ 2560	Neon	2.0L L4 F/I - SOHC	57-1512 ¹	6.0 @ 5810
Ram 2500 Pickup	5.9L V8 F/I	57-1511-2 ¹	11.8 @ 4248	Ram 1500 Pickup	3.9L V6 F/I	57-1527-1 ¹	5.3 @ 3884
Ram 2500 Pickup	8.0L V10 F/I	57-1507 ¹	15.8 @ 4128	Ram 1500 Pickup	5.2L V8 F/I	57-1511-2 ¹	11.8 @ 4248
Ram 3500 Pickup	5.9L L6 DSL	57-1525 ¹	9.2 @ 2560	Ram 1500 Pickup	5.9L V8 F/I	57-1511-2 ¹	11.8 @ 4248
Ram 3500 Pickup	8.0L V10 F/I	57-1507 ¹	15.8 @ 4128	Ram 2500 Pickup	5.2L V8 F/I	57-1511-2 ¹	11.8 @ 4248
1998 DODGE				Ram 2500 Pickup	5.9L L6 DSL	57-1525 ¹	9.2 @ 2560
Avenger	2.5L V6 F/I	57-1524 ¹	4.3 @ 5576	Ram 2500 Pickup	5.9L V8 F/I	57-1511-2 ¹	11.8 @ 4248
Dakota	5.2L V8 F/I	57-1509-1 ¹	10.7 @ 4580	Ram 2500 Pickup	8.0L V10 F/I	57-1507 ¹	15.8 @ 4128
Dakota	5.9L V8 F/I	57-1509-1 ¹	10.7 @ 4580	Ram 2500 Pickup	5.9L L6 DSL	57-1525 ¹	9.2 @ 2560
Durango	5.2L V8 F/I	57-1509-1 ¹	10.7 @ 4580	Ram 2500 Pickup	5.9L V8 F/I	57-1511-2 ¹	11.8 @ 4248
Durango	5.9L V8 F/I	57-1509-1 ¹	10.7 @ 4580	Ram 2500 Pickup	8.0L V10 F/I	57-1507 ¹	15.8 @ 4128
Intrepid	2.7L V6 F/I	57-1523 ¹	4.5 @ 5939	Ram 3500 Pickup	5.9L L6 DSL	57-1525 ¹	9.2 @ 2560
Neon	2.0L L4 F/I - SOHC	57-1512 ¹	6.0 @ 5810	Ram 3500 Pickup	8.0L V10 F/I	57-1507 ¹	15.8 @ 4128
Ram 1500 Pickup	3.9L V6 F/I	57-1527-1 ¹	5.3 @ 3884	Stealth	3.0L V6 F/I	57-1500-1 ¹	
Ram 1500 Pickup	3.9L V6 F/I	57-1503-1 ¹		Viper	8.0L V10 F/I	57-1508 ¹	13.4 @ 5363
Ram 1500 Pickup	5.2L V8 F/I	57-1511-2 ¹	11.8 @ 4248	1994 DODGE			
Ram 1500 Pickup	5.9L V8 F/I	57-1511-2 ¹	11.8 @ 4248	Dakota	3.9L V6 F/I	57-1501 ¹	6.4 @ 4352
Ram 2500 Pickup	5.2L V8 F/I	57-1511-2 ¹	11.8 @ 4248	Dakota	5.2L V8 F/I	57-1501 ¹	6.4 @ 4352
Ram 2500 Pickup	5.9L L6 DSL	57-1525 ¹	9.2 @ 2560	Ram 1500 Pickup	3.9L V6 F/I	57-1527-1 ¹	5.3 @ 3884

1) Street legal in all US states. 2) Not legal for sale or use on any pollution controlled motor vehicle in California or states adopting California emission procedures.

* Estimated horsepower gains are based on specific or similar vehicle dyno tests. Results will vary. See Page 478 for more information. Partial Listing - Complete List of Vehicles and Applications at knfilters.com. See page 5 for information on intake tube materials/colors.

AIR INTAKE SYSTEMS

DODGE

Vehicle	Engine Type	Part Number	Estimated Horsepower*	Vehicle	Engine Type	Part Number	Estimated Horsepower*
1994 DODGE				1993 EAGLE			
Ram 1500 Pickup	3.9L V6 F/I	57-1503-1 ¹		Talon	2.0L L4 F/I - Exc. Turbo	57-5500 ¹	
Ram 1500 Pickup	5.2L V8 F/I	57-1511-2 ¹	11.8 @ 4248	1992 EAGLE			
Ram 1500 Pickup	5.9L V8 F/I	57-1511-2 ¹	11.8 @ 4248	Talon	2.0L L4 F/I - Exc. Turbo	57-5500 ¹	
Ram 2500 Pickup	5.2L V8 F/I	57-1511-2 ¹	11.8 @ 4248	1991 EAGLE			
Ram 2500 Pickup	5.9L L6 DSL	57-1525 ¹	9.2 @ 2560	Talon	2.0L L4 F/I - Exc. Turbo	57-5500 ¹	
Ram 2500 Pickup	5.9L V8 F/I	57-1511-2 ¹	11.8 @ 4248	1990 EAGLE			
Ram 2500 Pickup	8.0L V10 F/I	57-1507 ¹	15.8 @ 4128	Talon	2.0L L4 F/I - Exc. Turbo	57-5500 ¹	
Ram 3500 Pickup	5.9L L6 DSL	57-1525 ¹	9.2 @ 2560	2016 FIAT			
Ram 3500 Pickup	8.0L V10 F/I	57-1507 ¹	15.8 @ 4128	500	1.4L L4 F/I - US, w/Auto Trans.	69-3303TS ²	3.9 @ 4503
Stealth	3.0L V6 F/I	57-1500-1 ¹		2015 FIAT			
1993 DODGE				2014 FIAT			
D150	3.9L V6 F/I	57-1502 ¹		500	1.4L L4 F/I - US, w/Auto Trans.	69-3303TS ¹	3.9 @ 4503
D150	5.2L V8 F/I	57-1502 ¹		2013 FIAT			
D150	5.9L V8 F/I	57-1502 ¹		500 Abarth	1.4L L4 F/I - US	63-1700 ²	5.4 @ 5342
D250	3.9L V6 F/I	57-1502 ¹		2012 FIAT			
D250	5.2L V8 F/I	57-1502 ¹		500	1.4L L4 F/I - US, w/Auto Trans.	69-3303TS ¹	3.9 @ 4503
D250	5.9L V8 F/I	57-1502 ¹		500 Abarth	1.4L L4 F/I - US	63-1700 ²	5.4 @ 5342
D350	5.9L V8 F/I	57-1502 ¹		2011 FIAT			
Dakota	3.9L V6 F/I	57-1501 ¹	6.4 @ 4352	500	1.4L L4 F/I - US, w/Auto Trans.	69-3303TS ¹	3.9 @ 4503
Dakota	5.2L V8 F/I	57-1501 ¹	6.4 @ 4352	500 Abarth	1.4L L4 F/I - US	63-1700 ²	5.4 @ 5342
Stealth	3.0L V6 F/I	57-1500-1 ¹		2010 FIAT			
W150	3.9L V6 F/I	57-1502 ¹		500	1.4L L4 F/I - US, w/Auto Trans.	69-3303TS ¹	3.9 @ 4503
W150	5.2L V8 F/I	57-1502 ¹		2009 FIAT			
W150	5.9L V8 F/I	57-1502 ¹		500	1.4L L4 F/I - US, w/Auto Trans.	69-3303TS ¹	3.9 @ 4503
W250	5.2L V8 F/I	57-1502 ¹		2008 FIAT			
W250	5.9L V8 F/I	57-1502 ¹		Stilo	1.6L L4 F/I	69-3301TS ²	
W350	5.9L V8 F/I	57-1502 ¹				69-3301TP ²	
1992 DODGE						69-3301TB ²	
D150	3.9L V6 F/I	57-1502 ¹		Stilo	2.4L L5 F/I	69-3302TS ²	
D150	5.2L V8 F/I	57-1502 ¹				69-3302TP ²	
D250	3.9L V6 F/I	57-1502 ¹				69-3302TB ²	
D250	5.2L V8 F/I	57-1502 ¹		2007 FIAT			
D250	5.9L V8 F/I	57-1502 ¹		2005 FIAT			
D350	5.9L V8 F/I	57-1502 ¹		Punto	1.8L L4 F/I	69-3300TS ²	
Dakota	3.9L V6 F/I	57-1501 ¹	6.4 @ 4352			69-3300TP ²	
Dakota	5.2L V8 F/I	57-1501 ¹	6.4 @ 4352	Stilo	1.6L L4 F/I	69-3300TR ²	
Ramcharger	5.9L V8 F/I	57-1502 ¹				69-3301TS ²	
Stealth	3.0L V6 F/I	57-1500-1 ¹				69-3301TP ²	
W150	3.9L V6 F/I	57-1502 ¹		Stilo	2.4L L5 F/I	69-3301TB ²	
W150	5.2L V8 F/I	57-1502 ¹				69-3302TS ²	
W250	5.2L V8 F/I	57-1502 ¹				69-3302TP ²	
W250	5.9L V8 F/I	57-1502 ¹		2006 FIAT			
W350	5.9L V8 F/I	57-1502 ¹		2004 FIAT			
1991 DODGE				Punto	1.8L L4 F/I	69-3300TS ²	
Stealth	3.0L V6 F/I	57-1500-1 ¹				69-3300TP ²	
1998 EAGLE						69-3300TR ²	
Talon TSi	2.0L L4 F/I	57-5504-1 ¹	7.7 @ 5900	Stilo	1.6L L4 F/I	69-3301TS ²	
1997 EAGLE						69-3301TP ²	
Talon TSi	2.0L L4 F/I	57-5504-1 ¹	7.7 @ 5900			69-3301TB ²	
1996 EAGLE				Stilo	2.4L L5 F/I	69-3302TS ²	
Talon TSi	2.0L L4 F/I	57-5504-1 ¹	7.7 @ 5900			69-3302TP ²	
1995 EAGLE				2003 FIAT			
Talon TSi	2.0L L4 F/I	57-5504-1 ¹	7.7 @ 5900	Punto	1.8L L4 F/I	69-3300TS ²	
						69-3300TP ²	

1) Street legal in all US states. 2) Not legal for sale or use on any pollution controlled motor vehicle in California or states adopting California emission procedures.

* Estimated horsepower gains are based on specific or similar vehicle dyno tests. Results will vary. See Page 478 for more information. Partial Listing - Complete List of Vehicles and Applications at knfilters.com. See page 5 for information on intake tube materials/colors.

FIAT

AIR INTAKE SYSTEMS

Vehicle	Engine Type	Part Number	Estimated Horsepower*	Vehicle	Engine Type	Part Number	Estimated Horsepower*
2003 FIAT				2016 FORD			
Punto	1.8L L4 F/I	69-3300TR ²		F350	6.2L V8 F/I	77-2582KTK ²	13.6 @ 4497
Stilo	1.6L L4 F/I	69-3301TS ²		F350 Super Duty	6.2L V8 F/I	77-2582KTK ²	13.6 @ 4497
		69-3301TP ²		F350 Super Duty	6.7L V8 DSL	71-2582 ²	13.8 @ 2200
		69-3301TB ²				63-2582 ²	11.9 @ 2700
Stilo	2.4L L5 F/I	69-3302TB ²		F450	6.7L V8 DSL	63-2582 ²	11.9 @ 2700
		69-3302TP ²				71-2582 ²	13.8 @ 2200
		69-3302TS ²		F450 Super Duty	6.7L V8 DSL	63-2582 ²	11.9 @ 2700
						71-2582 ²	13.8 @ 2200
2002 FIAT				F550	6.7L V8 DSL	63-2582 ²	11.9 @ 2700
Punto	1.8L L4 F/I	69-3300TS ²				71-2582 ²	13.8 @ 2200
		69-3300TR ²		Fiesta	1.6L L4 F/I	69-3530TS ²	3.8 @ 4518
		69-3300TP ²		Focus	2.0L L4 F/I - US, Exc. Turbo	69-3517TS ²	10.0 @ 5872
Stilo	1.6L L4 F/I	69-3301TS ²		Focus ST	2.0L L4 F/I	69-3518TS ²	7.4 @ 5130
		69-3301TP ²		Fusion	2.0L L4 F/I - Turbo	63-2585 ²	10.1 @ 5185
		69-3301TB ²		Fusion	2.5L L4 F/I	69-3533TTK ²	6.7 @ 5929
Stilo	2.4L L5 F/I	69-3302TP ²		Mustang	2.3L L4 F/I	63-2589 ²	15.7 @ 4224
		69-3302TS ²		Mustang	3.7L V6 F/I	69-3536TTK ²	12.4 @ 5186
		69-3302TB ²		Mustang GT	5.0L V8 F/I	63-2590 ²	17.4 @ 5287
						69-3535TP ²	19.3 @ 5287
						71-3535 ²	
						57-2590 ²	9.1 @ 5342
2001 FIAT				2015 FORD			
Punto	1.8L L4 F/I	69-3300TS ²		E350 Cutaway	5.4L V8 F/I	77-2570KTK ²	17.5 @ 4101
		69-3300TP ²		E350 Cutaway	6.8L V10 F/I	77-2570KTK ²	17.5 @ 4101
		69-3300TR ²		E350 Super Duty	5.4L V8 F/I	77-2570KTK ²	17.5 @ 4101
Stilo	1.6L L4 F/I	69-3301TB ²		E350 Super Duty	6.8L V10 F/I	77-2570KTK ²	17.5 @ 4101
		69-3301TS ²		E450 Cutaway	5.4L V8 F/I	77-2570KTK ²	17.5 @ 4101
		69-3301TP ²		E450 Cutaway	6.8L V10 F/I	77-2570KTK ²	17.5 @ 4101
Stilo	2.4L L5 F/I	69-3302TS ²		E450 Super Duty	5.4L V8 F/I	77-2570KTK ²	17.5 @ 4101
		69-3302TB ²		E450 Super Duty	6.8L V10 F/I	77-2570KTK ²	17.5 @ 4101
		69-3302TP ²		Escape	1.6L L4 F/I	69-3537TS ²	19.1 @ 4503
				Escape	2.0L L4 F/I	69-3537TS ²	19.1 @ 4503
2000 FIAT				Expedition	3.5L V6 F/I	63-2595 ²	6.9 @ 4100
Punto	1.8L L4 F/I	69-3300TR ²		Explorer	2.0L L4 F/I	77-2587KS ²	11.1 @ 5433
		69-3300TP ²		Explorer	3.5L V6 F/I	77-2575KS ²	13.6 @ 5500
		69-3300TS ²		Explorer Sport	3.5L V6 F/I	69-3531TS ²	12.1 @ 5327
1999 FIAT				F150	2.7L V6 F/I	63-2593 ²	19.4 @ 4500
Punto	1.8L L4 F/I	69-3300TS ²		F150	3.5L V6 F/I - Turbo	63-2592 ²	23.0 @ 3505
		69-3300TP ²		F150	5.0L V8 F/I	57-2591 ¹	12.7 @ 4555
		69-3300TR ²				71-2591 ¹	11.4 @ 4553
				F250 Super Duty	6.2L V8 F/I	77-2591KP ¹	13.9 @ 4553
2016 FORD				F250 Super Duty	6.7L V8 DSL	77-2582KTK ²	13.6 @ 4497
E350 Cutaway	5.4L V8 F/I	77-2570KTK ²	17.5 @ 4101			71-2582 ²	13.8 @ 2200
E350 Cutaway	6.8L V10 F/I	77-2570KTK ²	17.5 @ 4101			63-2582 ²	11.9 @ 2700
E350 Super Duty	5.4L V8 F/I	77-2570KTK ²	17.5 @ 4101	F350 Super Duty	6.2L V8 F/I	77-2582KTK ²	13.6 @ 4497
E350 Super Duty	6.8L V10 F/I	77-2570KTK ²	17.5 @ 4101	F350 Super Duty	6.7L V8 DSL	63-2582 ²	11.9 @ 2700
E450 Cutaway	5.4L V8 F/I	77-2570KTK ²	17.5 @ 4101			71-2582 ²	13.8 @ 2200
E450 Cutaway	6.8L V10 F/I	77-2570KTK ²	17.5 @ 4101	F450 Super Duty	6.7L V8 DSL	63-2582 ²	11.9 @ 2700
E450 Super Duty	5.4L V8 F/I	77-2570KTK ²	17.5 @ 4101			71-2582 ²	13.8 @ 2200
E450 Super Duty	6.8L V10 F/I	77-2570KTK ²	17.5 @ 4101	F550 Super Duty	6.7L V8 DSL	63-2582 ²	11.9 @ 2700
Expedition	3.5L V6 F/I	63-2595 ²	6.9 @ 4100			71-2582 ²	13.8 @ 2200
Explorer	3.5L V6 F/I	77-2575KS ²	13.6 @ 5500	Fiesta	1.6L L4 F/I	69-3530TS ²	3.8 @ 4518
Explorer	3.5L V6 F/I - Turbo	69-3531TS ²	12.1 @ 5327	Fiesta ST	1.6L L4 F/I	63-2587 ²	7.2 @ 5210
F150	2.7L V6 F/I	63-2593 ²	19.4 @ 4500	Flex	3.5L V6 F/I - Exc. Turbo	77-2576KTK ²	13.2 @ 5698
F150	3.5L V6 F/I - Turbo	63-2592 ²	23.0 @ 3505	Focus	2.0L L4 F/I - US, Exc. Turbo	69-3517TS ²	10.0 @ 5872
F150	5.0L V8 F/I	71-2591 ²	11.4 @ 4553				
		77-2591KP ²	13.9 @ 4553				
F250	6.7L V8 DSL	63-2582 ²	11.9 @ 2700				
F250 Super Duty	6.2L V8 F/I	77-2582KTK ²	13.6 @ 4497				
F250 Super Duty	6.7L V8 DSL	63-2582 ²	11.9 @ 2700				

1) Street legal in all US states. 2) Not legal for sale or use on any pollution controlled motor vehicle in California or states adopting California emission procedures.

* Estimated horsepower gains are based on specific or similar vehicle dyno tests. Results will vary. See Page 478 for more information. Partial Listing - Complete List of Vehicles and Applications at knfilters.com. See page 5 for information on intake tube materials/colors.

AIR INTAKE SYSTEMS

FORD

Vehicle	Engine Type	Part Number	Estimated Horsepower*	Vehicle	Engine Type	Part Number	Estimated Horsepower*
2015 FORD				2014 FORD			
Focus ST	2.0L L4 F/I	69-3518TS ²	7.4 @ 5130	F550 Super Duty	6.7L V8 DSL	63-2582 ²	11.9 @ 2700
Fusion	1.5L L4 F/I	57-2588 ²	4.8 @ 5247			71-2582 ¹	13.8 @ 2200
		63-2588 ²	8.4 @ 5063			57-2582 ¹	11.9 @ 2700
Fusion	1.6L L4 F/I	63-2586 ²	5.4 @ 5751	F150 SVT Raptor	6.2L V8 F/I	77-2579KTK ¹	20.0 @ 4830
Fusion	2.0L L4 F/I - Turbo	63-2585 ²	10.1 @ 5185	Fiesta	1.6L L4 F/I	69-3530TS ²	3.8 @ 4518
Fusion	2.5L L4 F/I	69-3533TTK ²	6.7 @ 5929	Fiesta ST	1.6L L4 F/I	63-2587 ²	7.2 @ 5210
Mondeo V	2.0L L4 F/I - Exc. Hybrid	63-2585 ²	10.1 @ 5185			57-2587 ¹	7.2 @ 5210
Mustang	2.3L L4 F/I	63-2589 ²	15.7 @ 4224	Flex	3.5L V6 F/I - Exc. Turbo	77-2576KTK ¹	13.2 @ 5698
Mustang	3.7L V6 F/I	63-2594 ²	7.5 @ 5401	Flex	3.5L V6 F/I - Turbo	69-3531TS ²	12.1 @ 5327
		69-3536TTK ²	12.4 @ 5186	Focus	2.0L L4 F/I - US, Exc. Turbo, Exc. LEV2 SULEV Test Group EFMXV02.0VZ2	69-3517TS ¹	10.0 @ 5872
Mustang GT	5.0L V8 F/I	57-2590 ²	9.1 @ 5342			69-3518TS ¹	7.4 @ 5130
		63-2590 ²	17.4 @ 5287	Focus ST	2.0L L4 F/I	57-2588 ²	4.8 @ 5247
		69-3535TP ²	19.3 @ 5287	Fusion	1.5L L4 F/I	63-2588 ²	8.4 @ 5063
		71-3535 ²				63-2586 ²	5.4 @ 5751
Taurus	3.5L V6 F/I - Exc. Turbo	77-2576KTK ²	13.2 @ 5698	Fusion	1.6L L4 F/I	63-2586 ²	5.4 @ 5751
Taurus SHO	3.5L V6 F/I	69-3531TS ²	12.1 @ 5327	Fusion	2.0L L4 F/I - Turbo	57-2585 ¹	10.1 @ 5185
						63-2585 ²	10.1 @ 5185
2014 FORD				Fusion	2.5L L4 F/I	69-3533TTK ¹	6.7 @ 5929
E150	5.4L V8 F/I	77-2570KTK ²	17.5 @ 4101	Mondeo V	2.0L L4 F/I - Exc. Hybrid	63-2585 ²	10.1 @ 5185
E150 Wagon	5.4L V8 F/I	77-2570KTK ²	17.5 @ 4101			69-3529TP ¹	11.8 @ 5900
E250	5.4L V8 F/I	77-2570KTK ¹	17.5 @ 4101	Mustang	3.7L V6 F/I	57-2578 ¹	10.1 @ 5379
E250	6.8L V10 F/I	77-2570KTK ¹	17.5 @ 4101	Mustang GT	5.0L V8 F/I	63-2578 ²	20.3 @ 5400
E350 Super Duty	5.4L V8 F/I	77-2570KTK ¹	17.5 @ 4101			69-3527TP ²	19.6 @ 5100
E350 Super Duty	6.8L V10 F/I	77-2570KTK ¹	17.5 @ 4101			71-3527 ²	14.3 @ 4808
E350 Wagon	5.4L V8 F/I	77-2570KTK ¹	17.5 @ 4101			63-2579 ²	30.5 @ 5200
E350 Wagon	6.8L V10 F/I	77-2570KTK ¹	17.5 @ 4101	Mustang Shelby GT500	5.8L V8 F/I		
E450 Super Duty	5.4L V8 F/I	77-2570KTK ²	17.5 @ 4101			57-2579 ¹	30.5 @ 5200
E450 Super Duty	6.8L V10 F/I	77-2570KTK ²	17.5 @ 4101	Taurus	3.5L V6 F/I - Exc. Turbo	77-2576KTK ¹	13.2 @ 5698
E550 Super Duty	6.8L V10 F/I	77-2570KTK ²	17.5 @ 4101	Taurus SHO	3.5L V6 F/I - Turbo	69-3531TS ¹	12.1 @ 5327
Edge	2.0L L4 F/I	77-2586KS ¹	8.4 @ 5497	2013 FORD			
Edge	3.5L V6 F/I	77-2583KS ²	9.2 @ 4950	E150	5.4L V8 F/I	77-2570KTK ¹	17.5 @ 4101
Edge	3.7L V6 F/I	77-2583KS ¹	9.2 @ 4950	E150 Wagon	5.4L V8 F/I	77-2570KTK ¹	17.5 @ 4101
Escape	1.6L L4 F/I	69-3537TS ²	19.1 @ 4503	E250	5.4L V8 F/I	77-2570KTK ¹	17.5 @ 4101
Escape	2.0L L4 F/I	69-3537TS ²	19.1 @ 4503	E250	6.8L V10 F/I	77-2570KTK ¹	17.5 @ 4101
Expedition	5.4L V8 F/I	63-2575 ²	11.0 @ 4600	E350 Super Duty	5.4L V8 F/I	77-2570KTK ¹	17.5 @ 4101
		57-2575 ¹	11.0 @ 4600	E350 Super Duty	6.8L V10 F/I	77-2570KTK ¹	17.5 @ 4101
Explorer	2.0L L4 F/I	77-2587KS ²	11.1 @ 5433	E350 Wagon	5.4L V8 F/I	77-2570KTK ¹	17.5 @ 4101
Explorer	3.5L V6 F/I	77-2575KS ¹	13.6 @ 5500	E350 Wagon	6.8L V10 F/I	77-2570KTK ¹	17.5 @ 4101
Explorer Sport	3.5L V6 F/I - Turbo	69-3531TS ¹	12.1 @ 5327	E450 Super Duty	5.4L V8 F/I	77-2570KTK ²	17.5 @ 4101
F150	3.5L V6 F/I	57-2583 ²	11.1 @ 4318	E450 Super Duty	6.8L V10 F/I	77-2570KTK ²	17.5 @ 4101
		63-2583 ²	11.1 @ 4318	E550 Super Duty	6.8L V10 F/I	77-2570KTK ²	17.5 @ 4101
F150	3.7L V6 F/I	77-2585KS ¹	11.9 @ 5536	Edge	2.0L L4 F/I	77-2586KS ¹	8.4 @ 5497
F150	5.0L V8 F/I	57-2581 ¹	12.1 @ 5304	Edge	3.5L V6 F/I	77-2583KS ¹	9.2 @ 4950
		63-2581 ²	12.1 @ 5304	Edge	3.7L V6 F/I	77-2583KS ¹	9.2 @ 4950
		77-2581KP ¹	9.9 @ 5508	Escape	1.6L L4 F/I	69-3537TS ²	19.1 @ 4503
F250 Super Duty	6.2L V8 F/I	77-2582KTK ¹	13.6 @ 4497	Escape	2.0L L4 F/I	69-3537TS ²	19.1 @ 4503
F250 Super Duty	6.7L V8 DSL	57-2582 ¹	11.9 @ 2700	Expedition	5.4L V8 F/I	57-2575 ¹	11.0 @ 4600
		63-2582 ²	11.9 @ 2700			63-2575 ²	11.0 @ 4600
		71-2582 ¹	13.8 @ 2200	Explorer	3.5L V6 F/I	77-2575KS ¹	13.6 @ 5500
F350 Super Duty	6.2L V8 F/I	77-2582KTK ¹	13.6 @ 4497	Explorer Sport	3.5L V6 F/I	69-3531TS ¹	13.0 @ 4800
F350 Super Duty	6.7L V8 DSL	57-2582 ¹	11.9 @ 2700	F150	3.5L V6 F/I	63-2583 ²	11.9 @ 4312
		63-2582 ²	11.9 @ 2700			57-2583 ¹	11.9 @ 4312
		71-2582 ¹	13.8 @ 2200	F150	3.7L V6 F/I	77-2585KS ¹	11.9 @ 5536
F450 Super Duty	6.7L V8 DSL	57-2582 ¹	11.9 @ 2700	F150	5.0L V8 F/I	57-2581 ¹	12.1 @ 5304
		63-2582 ²	11.9 @ 2700				
		71-2582 ¹	13.8 @ 2200				

1) Street legal in all US states. 2) Not legal for sale or use on any pollution controlled motor vehicle in California or states adopting California emission procedures.

* Estimated horsepower gains are based on specific or similar vehicle dyno tests. Results will vary. See Page 478 for more information. Partial Listing - Complete List of Vehicles and Applications at knfilters.com. See page 5 for information on intake tube materials/colors.

FORD

AIR INTAKE SYSTEMS

Vehicle	Engine Type	Part Number	Estimated Horsepower*	Vehicle	Engine Type	Part Number	Estimated Horsepower*
2013 FORD				2012 FORD			
F150	5.0L V8 F/I	63-2581 ²	12.1 @ 5304	Expedition	5.4L V8 F/I	63-2575 ²	11.0 @ 4600
		77-2581KP ¹	9.9 @ 5508	Explorer	3.5L V6 F/I	77-2575KS ¹	13.6 @ 5500
F250 Super Duty	6.2L V8 F/I	77-2582KTK ¹	13.6 @ 4497	F150	3.5L V6 F/I	57-2583 ¹	11.1 @ 4318
F250 Super Duty	6.7L V8 DSL	57-2582 ¹	11.9 @ 2700			63-2583 ²	11.1 @ 4318
		71-2582 ¹	13.8 @ 2200	F150	3.7L V6 F/I	77-2585KS ¹	11.9 @ 5536
		63-2582 ²	11.9 @ 2700	F150	5.0L V8 F/I	57-2581 ¹	12.1 @ 5304
F350 Super Duty	6.2L V8 F/I	77-2582KTK ¹	13.6 @ 4497			63-2581 ²	12.1 @ 5304
F350 Super Duty	6.7L V8 DSL	57-2582 ¹	11.9 @ 2700			77-2581KP ¹	9.9 @ 5508
		71-2582 ¹	13.8 @ 2200	F150	6.2L V8 F/I	57-2584 ¹	27.2 @ 5347
		63-2582 ²	11.9 @ 2700			71-2584 ²	20.4 @ 5347
F450 Super Duty	6.7L V8 DSL	63-2582 ²	11.9 @ 2700			77-2584KP ¹	18.7 @ 5267
		57-2582 ¹	11.9 @ 2700			63-2584 ²	27.2 @ 5347
		71-2582 ¹	13.8 @ 2200	F250 Super Duty	6.2L V8 F/I	77-2582KTK ¹	13.6 @ 4497
F550 Super Duty	6.7L V8 DSL	57-2582 ¹	11.9 @ 2700	F250 Super Duty	6.7L V8 DSL	57-2582 ¹	11.9 @ 2700
		71-2582 ¹	13.8 @ 2200			63-2582 ²	11.9 @ 2700
		63-2582 ²	11.9 @ 2700			71-2582 ¹	13.8 @ 2200
F150 SVT Raptor	6.2L V8 F/I	77-2579KTK ¹	20.0 @ 4830	F350 Super Duty	6.2L V8 F/I	77-2582KTK ¹	13.6 @ 4497
Fiesta	1.6L L4 F/I - Non-US, Exc. Turbo	69-3530TS ²	3.8 @ 4518	F350 Super Duty	6.7L V8 DSL	57-2582 ¹	11.9 @ 2700
						71-2582 ¹	13.8 @ 2200
Fiesta	1.6L L4 F/I - US	69-3530TS ¹	3.8 @ 4518			63-2582 ²	11.9 @ 2700
Flex	3.5L V6 F/I - Exc. Turbo	77-2576KTK ¹	13.2 @ 5698	F450 Super Duty	6.7L V8 DSL	57-2582 ¹	11.9 @ 2700
Focus	2.0L L4 F/I - US, Exc. Turbo, Exc. LEV2 SULEV Test Group DFMXV02.0VZ2	69-3517TS ¹	10.0 @ 5872			71-2582 ¹	13.8 @ 2200
						63-2582 ²	11.9 @ 2700
Focus ST	2.0L L4 F/I	69-3518TS ¹	7.4 @ 5130	F550 Super Duty	6.7L V8 DSL	63-2582 ²	11.9 @ 2700
Fusion	1.6L L4 F/I	63-2586 ²	5.4 @ 5751			57-2582 ¹	11.9 @ 2700
Fusion	2.0L L4 F/I - Turbo	63-2585 ²	10.1 @ 5185			71-2582 ¹	13.8 @ 2200
		57-2585 ¹	10.1 @ 5185	F150 SVT Raptor	6.2L V8 F/I	77-2579KTK ¹	20.0 @ 4830
Fusion	2.5L L4 F/I	69-3533TTK ²	6.7 @ 5929	Fiesta	1.6L L4 F/I	69-3530TS ¹	3.8 @ 4518
Mustang	3.7L V6 F/I	69-3529TP ¹	11.8 @ 5900	Fiesta VI	1.6L L4 F/I	69-3530TS ²	3.8 @ 4518
Mustang Boss 302	5.0L V8 F/I	69-3534TTK ²	17.0 @ 6700	Flex	3.5L V6 F/I - Exc. Turbo	77-2578KS ¹	9.2 @ 4914
Mustang GT	5.0L V8 F/I	63-2578 ²	20.3 @ 5400	Focus	2.0L L4 F/I - US, Exc. LEV2 SULEV Test Group CFMXV02.0VZ2	69-3517TS ¹	10.0 @ 5872
		71-3527 ²	14.3 @ 4808				
		69-3527TP ²	19.6 @ 5100	Fusion	2.5L L4 F/I	69-3514TTK ¹	6.0 @ 4200
		57-2578 ¹	10.1 @ 5379	Mustang	3.7L V6 F/I	69-3529TP ¹	11.8 @ 5900
Mustang Shelby GT500	5.8L V8 F/I	63-2579 ²	30.5 @ 5200	Mustang Boss 302	5.0L V8 F/I	69-3534TTK ²	17.0 @ 6700
				Mustang GT	5.0L V8 F/I	63-2578 ²	20.3 @ 5400
		57-2579 ¹	30.5 @ 5200			69-3527TP ²	19.6 @ 5100
						57-2578 ¹	10.1 @ 5379
Taurus	3.5L V6 F/I - Exc. Turbo	77-2576KTK ¹	13.2 @ 5698			71-3527 ²	14.3 @ 4808
Taurus SHO	3.5L V6 F/I	69-3531TS ¹	12.1 @ 5327	Mustang Shelby GT500	5.4L V8 F/I	63-2579 ²	30.5 @ 5200
						57-2579 ¹	30.5 @ 5200
2012 FORD				2011 FORD			
E150	5.4L V8 F/I	77-2570KTK ¹	17.5 @ 4101	Taurus	3.5L V6 F/I	69-3528TS ¹	11.6 @ 4044
E150 Wagon	5.4L V8 F/I	77-2570KTK ¹	17.5 @ 4101	Taurus SHO	3.5L V6 F/I	69-3531TS ¹	12.1 @ 5327
E250	5.4L V8 F/I	77-2570KTK ¹	17.5 @ 4101	2011 FORD			
E250	6.8L V10 F/I	77-2570KTK ¹	17.5 @ 4101	Crown Victoria	4.6L V8 F/I - Exc. Police Package	69-3532TTK ¹	10.2 @ 4491
E350 Super Duty	5.4L V8 F/I	77-2570KTK ¹	17.5 @ 4101	E150	5.4L V8 F/I	77-2570KTK ¹	17.5 @ 4101
E350 Super Duty	6.8L V10 F/I	77-2570KTK ¹	17.5 @ 4101	E150 Wagon	5.4L V8 F/I	77-2570KTK ¹	17.5 @ 4101
E350 Wagon	5.4L V8 F/I	77-2570KTK ¹	17.5 @ 4101	E250	5.4L V8 F/I	77-2570KTK ¹	17.5 @ 4101
E350 Wagon	6.8L V10 F/I	77-2570KTK ¹	17.5 @ 4101	E250	6.8L V10 F/I	77-2570KTK ¹	17.5 @ 4101
E450 Super Duty	5.4L V8 F/I	77-2570KTK ¹	17.5 @ 4101	E350 Super Duty	5.4L V8 F/I	77-2570KTK ¹	17.5 @ 4101
E450 Super Duty	6.8L V10 F/I	77-2570KTK ¹	17.5 @ 4101	E350 Super Duty	6.8L V10 F/I	77-2570KTK ¹	17.5 @ 4101
E550 Super Duty	6.8L V10 F/I	77-2570KTK ²	17.5 @ 4101	E350 Wagon	5.4L V8 F/I	77-2570KTK ¹	17.5 @ 4101
Edge	2.0L L4 F/I	77-2586KS ¹	8.4 @ 5497	E350 Wagon	6.8L V10 F/I	77-2570KTK ¹	17.5 @ 4101
Edge	3.5L V6 F/I	77-2583KS ¹	9.2 @ 4950	E350 Wagon	5.4L V8 F/I	77-2570KTK ¹	17.5 @ 4101
Edge	3.7L V6 F/I	77-2583KS ¹	9.2 @ 4950	E350 Wagon	6.8L V10 F/I	77-2570KTK ¹	17.5 @ 4101
Expedition	5.4L V8 F/I	57-2575 ¹	11.0 @ 4600				

1) Street legal in all US states. 2) Not legal for sale or use on any pollution controlled motor vehicle in California or states adopting California emission procedures.

* Estimated horsepower gains are based on specific or similar vehicle dyno tests. Results will vary. See Page 478 for more information. Partial Listing - Complete List of Vehicles and Applications at knfilters.com. See page 5 for information on intake tube materials/colors.

AIR INTAKE SYSTEMS

FORD

Vehicle	Engine Type	Part Number	Estimated Horsepower*	Vehicle	Engine Type	Part Number	Estimated Horsepower*
2011 FORD				2010 FORD			
E450 Super Duty	5.4L V8 F/I	77-2570KTK ¹	17.5 @ 4101	Crown Victoria	4.6L V8 F/I - Exc. Police Package	69-3532TTK ¹	10.2 @ 4491
E450 Super Duty	6.8L V10 F/I	77-2570KTK ¹	17.5 @ 4101	E150	5.4L V8 F/I	77-2570KTK ¹	17.5 @ 4101
E550 Super Duty	6.8L V10 F/I	77-2570KTK ²	17.5 @ 4101	E150 Wagon	5.4L V8 F/I	77-2570KTK ¹	17.5 @ 4101
Edge	3.5L V6 F/I	77-2583KS ¹	9.2 @ 4950	E250	5.4L V8 F/I	77-2570KTK ¹	17.5 @ 4101
Edge	3.7L V6 F/I	77-2583KS ¹	9.2 @ 4950	E250	6.8L V10 F/I	77-2570KTK ¹	17.5 @ 4101
Expedition	5.4L V8 F/I	57-2575 ¹	11.0 @ 4600	E350 Super Duty	5.4L V8 F/I	77-2570KTK ¹	17.5 @ 4101
		63-2575 ²	11.0 @ 4600	E350 Super Duty	6.8L V10 F/I	77-2570KTK ¹	17.5 @ 4101
Explorer	3.5L V6 F/I	77-2575KS ¹	13.6 @ 5500	E350 Wagon	5.4L V8 F/I	77-2570KTK ¹	17.5 @ 4101
F150	3.5L V6 F/I	57-2583 ¹	11.1 @ 4318	E350 Wagon	6.8L V10 F/I	77-2570KTK ¹	17.5 @ 4101
		63-2583 ²	11.1 @ 4318	E450 Super Duty	5.4L V8 F/I	77-2570KTK ¹	17.5 @ 4101
F150	5.0L V8 F/I	77-2581KP ¹	9.9 @ 5508	E450 Super Duty	6.8L V10 F/I	77-2570KTK ¹	17.5 @ 4101
		57-2581 ¹	12.1 @ 5304	E550 Super Duty	6.8L V10 F/I	77-2570KTK ²	17.5 @ 4101
		63-2581 ²	12.1 @ 5304	Edge	3.5L V6 F/I	77-2574KS ¹	11.2 @ 5797
F150	6.2L V8 F/I	71-2584 ²	20.4 @ 5347	Expedition	5.4L V8 F/I	63-2575 ²	11.0 @ 4600
		77-2584KP ¹	18.7 @ 5267			57-2575 ¹	11.0 @ 4600
		57-2584 ¹	27.2 @ 5347	F150	4.6L V8 F/I - w/3 Valve VIN 8	77-2580KP ¹	15.1 @ 4650
		63-2584 ²	27.2 @ 5347			63-2580 ²	16.1 @ 4650
F150 Platinum	6.2L V8 F/I	57-2584 ¹	27.2 @ 5347			57-2580 ¹	16.1 @ 4650
		63-2584 ²	27.2 @ 5347	F150	5.4L V8 F/I	63-2575 ²	12.5 @ 4600
		71-2584 ²	20.4 @ 5347			57-2575 ¹	12.5 @ 4600
		77-2584KP ¹	18.7 @ 5267	F250 Super Duty	5.4L V8 F/I	77-2577KTK ¹	13.9 @ 4077
F250 Super Duty	6.2L V8 F/I	77-2582KTK ¹	13.6 @ 4497	F250 Super Duty	6.4L V8 DSL	71-2576 ¹	11.1 @ 2460
F250 Super Duty	6.7L V8 DSL	71-2582 ¹	13.8 @ 2200			57-2576 ¹	16.4 @ 2600
		57-2582 ¹	11.9 @ 2700	F350 Super Duty	5.4L V8 F/I	77-2577KTK ¹	13.9 @ 4077
		63-2582 ²	11.9 @ 2700	F350 Super Duty	6.4L V8 DSL	71-2576 ¹	11.1 @ 2460
F350 Super Duty	6.2L V8 F/I	77-2582KTK ¹	13.6 @ 4497			57-2576 ¹	16.4 @ 2600
F350 Super Duty	6.7L V8 DSL	57-2582 ¹	11.9 @ 2700	F450 Super Duty	6.4L V8 DSL	71-2576 ¹	11.1 @ 2460
		63-2582 ²	11.9 @ 2700			57-2576 ¹	16.4 @ 2600
		71-2582 ¹	13.8 @ 2200	F550 Super Duty	6.4L V8 DSL	71-2576 ²	11.1 @ 2460
F450 Super Duty	6.7L V8 DSL	71-2582 ¹	13.8 @ 2200			57-2575 ¹	11.0 @ 4600
		63-2582 ²	11.9 @ 2700	F150 SVT Raptor	5.4L V8 F/I	63-2575 ²	11.0 @ 4600
		57-2582 ¹	11.9 @ 2700			77-2579KTK ¹	20.0 @ 4830
F550 Super Duty	6.7L V8 DSL	63-2582 ²	11.9 @ 2700	F150 SVT Raptor	6.2L V8 F/I	77-2579KTK ¹	20.0 @ 4830
		57-2582 ¹	11.9 @ 2700	Fiesta VI	1.6L L4 F/I	69-3530TS ²	3.8 @ 4518
		71-2582 ¹	13.8 @ 2200	Flex	3.5L V6 F/I - Exc. Turbo	77-2578KS ¹	9.2 @ 4914
F150 SVT Raptor	6.2L V8 F/I	77-2579KTK ¹	20.0 @ 4830	Focus	2.0L L4 F/I - PZEV	69-3516TTK ²	5.8 @ 5000
Fiesta	1.6L L4 F/I	69-3530TS ¹	3.8 @ 4518	Fusion	2.5L L4 F/I	69-3514TTK ¹	6.0 @ 4200
Fiesta VI	1.6L L4 F/I	69-3530TS ²	3.8 @ 4518	Mustang	4.0L V6 F/I	57-2577 ¹	7.4 @ 4700
Flex	3.5L V6 F/I - Exc. Turbo	77-2578KS ¹	9.2 @ 4914			63-2577 ²	7.4 @ 4700
Focus	2.0L L4 F/I - PZEV	69-3516TTK ²	5.8 @ 5000	Mustang GT	4.6L V8 F/I	69-3525TS ¹	5.2 @ 4700
Fusion	2.5L L4 F/I	69-3514TTK ¹	6.0 @ 4200			69-3526TP ¹	9.5 @ 5000
Mustang	3.7L V6 F/I	69-3529TP ¹	11.8 @ 5900	Mustang Shelby GT500	5.4L V8 F/I	63-2579 ²	30.5 @ 5200
Mustang GT	5.0L V8 F/I	69-3527TP ²	19.6 @ 5100			57-2579 ¹	30.5 @ 5200
		57-2578 ¹	10.1 @ 5379	Ranger	4.0L V6 F/I	57-2561 ¹	13.5 @ 5129
		63-2578 ²	20.3 @ 5400			77-2561KP ¹	11.2 @ 4950
		71-3527 ²	14.3 @ 4808	Taurus	3.5L V6 F/I	69-3528TS ¹	11.6 @ 4044
Mustang Shelby GT500	5.4L V8 F/I	57-2579 ¹	30.5 @ 5200			63-1108 ²	13.5 @ 5129
		63-2579 ²	30.5 @ 5200	2009 FORD			
Ranger	4.0L V6 F/I	77-2561KP ¹	11.2 @ 4950	Crown Victoria	4.6L V8 F/I - Exc. Police Package	69-3532TTK ¹	10.2 @ 4491
		63-1108 ²	13.5 @ 5129	E150	5.4L V8 F/I	77-2570KTK ¹	17.5 @ 4101
		57-2561 ¹	13.5 @ 5129	E150 Wagon	5.4L V8 F/I	77-2570KTK ¹	17.5 @ 4101
Taurus	3.5L V6 F/I	69-3528TS ¹	11.7 @ 4044				
Taurus SHO	3.5L V6 F/I	69-3531TS ¹	12.1 @ 5327				

1) Street legal in all US states. 2) Not legal for sale or use on any pollution controlled motor vehicle in California or states adopting California emission procedures.

* Estimated horsepower gains are based on specific or similar vehicle dyno tests. Results will vary. See Page 478 for more information. Partial Listing - Complete List of Vehicles and Applications at knfilters.com. See page 5 for information on intake tube materials/colors.

FORD

AIR INTAKE SYSTEMS

Vehicle	Engine Type	Part Number	Estimated Horsepower*	Vehicle	Engine Type	Part Number	Estimated Horsepower*
2009 FORD				2008 FORD			
E250	5.4L V8 F/I	77-2570KTK ¹	17.5 @ 4101	E450 Super Duty	5.4L V8 F/I	77-2570KTK ¹	17.5 @ 4101
E250	6.8L V10 F/I	77-2570KTK ¹	17.5 @ 4101	E450 Super Duty	6.8L V10 F/I	77-2570KTK ¹	17.5 @ 4101
E350 Super Duty	5.4L V8 F/I	77-2570KTK ¹	17.5 @ 4101	E550 Super Duty	6.8L V10 F/I	77-2570KTK ²	17.5 @ 4101
E350 Super Duty	6.8L V10 F/I	77-2570KTK ¹	17.5 @ 4101	Edge	3.5L V6 F/I	77-2574KS ¹	11.2 @ 5797
E350 Wagon	5.4L V8 F/I	77-2570KTK ¹	17.5 @ 4101	Expedition	5.4L V8 F/I	57-2575 ¹	11.0 @ 4600
E350 Wagon	6.8L V10 F/I	77-2570KTK ¹	17.5 @ 4101			63-2575 ²	11.0 @ 4600
E450 Super Duty	5.4L V8 F/I	77-2570KTK ¹	17.5 @ 4101	Explorer	4.6L V8 F/I	57-2573 ¹	11.0 @ 4500
E450 Super Duty	6.8L V10 F/I	77-2570KTK ¹	17.5 @ 4101			77-2573KP ¹	10.0 @ 4700
E550 Super Duty	6.8L V10 F/I	77-2570KTK ²	17.5 @ 4101	F150	4.2L V6 F/I	63-2572 ²	7.4 @ 4016
Edge	3.5L V6 F/I	77-2574KS ¹	11.2 @ 5797			57-2572 ¹	7.4 @ 4106
Expedition	5.4L V8 F/I	63-2575 ²	11.0 @ 4600	F150	4.6L V8 F/I	57-2574 ¹	9.9 @ 4200
		57-2575 ¹	11.0 @ 4600	F150	5.4L V8 F/I	57-2556 ¹	15.5 @ 3829
F150	4.6L V8 F/I - w/3 Valve VIN 8	77-2580KP ¹	15.1 @ 4650			77-2556KP ¹	9.6 @ 3724
		63-2580 ²	16.1 @ 4650			71-2556 ¹	11.5 @ 3800
		57-2580 ¹	16.1 @ 4650	F250 Super Duty	5.4L V8 F/I	77-2577KTK ¹	13.9 @ 4077
F150	5.4L V8 F/I	63-2575 ²	11.0 @ 4600	F250 Super Duty	6.4L V8 DSL	71-2576 ¹	11.1 @ 2460
		57-2575 ¹	11.0 @ 4600			57-2576 ¹	16.4 @ 2600
F250 Super Duty	5.4L V8 F/I	77-2577KTK ¹	13.9 @ 4077	F350 Super Duty	5.4L V8 F/I	77-2577KTK ¹	13.9 @ 4077
F250 Super Duty	6.4L V8 DSL	71-2576 ¹	11.1 @ 2460	F350 Super Duty	6.4L V8 DSL	57-2576 ¹	16.4 @ 2600
		57-2576 ¹	16.4 @ 2600	F450 Super Duty	6.4L V8 DSL	71-2576 ¹	11.1 @ 2460
F350 Super Duty	5.4L V8 F/I	77-2577KTK ¹	13.9 @ 4077			57-2576 ¹	16.4 @ 2600
F350 Super Duty	6.4L V8 DSL	57-2576 ¹	16.4 @ 2600	F550 Super Duty	6.4L V8 DSL	71-2576 ²	11.1 @ 2460
		71-2576 ¹	11.1 @ 2460			57-2576 ¹	16.4 @ 2600
F450 Super Duty	6.4L V8 DSL	71-2576 ¹	11.1 @ 2460	Fiesta V	2.0L L4 F/I	69-4002TB ²	
		57-2576 ¹	16.4 @ 2600	Fiesta VI	1.6L L4 F/I	69-3530TS ²	3.8 @ 4518
		71-2576 ²	11.1 @ 2460	Focus	2.0L L4 F/I - Exc. LEV2 SULEV Test Group 8FMXV02.0VZP	69-3513TTK ¹	5.2 @ 5400
F550 Super Duty	6.4L V8 DSL	57-2576 ¹	16.4 @ 2600				
		71-2576 ²	11.1 @ 2460	Fusion	2.3L L4 F/I - Exc. LEV2 SULEV Test Group 8FMXV02.3VZT	69-3514TTK ¹	6.0 @ 4200
Fiesta VI	1.6L L4 F/I	69-3530TS ²	3.8 @ 4518	Fusion	3.0L V6 F/I	69-3515TS ¹	11.9 @ 5001
Flex	3.5L V6 F/I	77-2578KS ¹	9.2 @ 4914	Mustang	4.0L V6 F/I	69-3522TP ¹	7.1 @ 5200
Focus	2.0L L4 F/I - Exc. LEV2 SULEV Test Group 9FMXV02.0VZP & 9FMXV02.0VZX	69-3513TTK ¹	5.2 @ 5400			57-2566 ¹	7.5 @ 4996
Fusion	2.3L L4 F/I - Exc. LEV2 SULEV Test Group 9FMXV02.3VZT	69-3514TTK ¹	6.0 @ 4200	Mustang GT	4.6L V8 F/I	69-3523KP ²	8.8 @ 5208
Fusion	3.0L V6 F/I	69-3515TS ¹	11.9 @ 5001			63-2565 ²	15.3 @ 6000
Mustang	4.0L V6 F/I	69-3522TP ¹	7.1 @ 5200	Mustang Shelby	5.4L V8 F/I	57-2571 ¹	57.0 @ 5900
		57-2566 ¹	7.5 @ 4996	Ranger	3.0L V6 F/I	57-2560 ¹	10.0 @ 4921
Mustang GT	4.6L V8 F/I	69-3523KP ²	8.8 @ 5208	Ranger	4.0L V6 F/I	57-2561 ¹	13.5 @ 5129
		63-2565 ²	15.3 @ 6000			77-2561KP ¹	11.2 @ 4950
Mustang Shelby	5.4L V8 F/I	57-2571 ¹	57.0 @ 5900			63-1108 ²	13.5 @ 5129
Ranger	4.0L V6 F/I	63-1108 ²	13.5 @ 5129	2007 FORD			
		77-2561KP ¹	11.2 @ 4950	Crown Victoria	4.6L V8 F/I - Exc. Police Package	69-3532TTK ¹	10.2 @ 4491
		57-2561 ¹	13.5 @ 5129	E150	5.4L V8 F/I	77-2570KTK ¹	17.5 @ 4101
2008 FORD				E150 Wagon	5.4L V8 F/I	77-2570KTK ¹	17.5 @ 4101
Crown Victoria	4.6L V8 F/I - Exc. Police Package	69-3532TTK ¹	10.2 @ 4491	E250	5.4L V8 F/I	77-2570KTK ¹	17.5 @ 4101
E150	5.4L V8 F/I	77-2570KTK ¹	17.5 @ 4101	E250	6.8L V10 F/I	77-2570KTK ¹	17.5 @ 4101
E150 Wagon	5.4L V8 F/I	77-2570KTK ¹	17.5 @ 4101	E350 Super Duty	5.4L V8 F/I	77-2570KTK ¹	17.5 @ 4101
E250	5.4L V8 F/I	77-2570KTK ¹	17.5 @ 4101	E350 Super Duty	6.8L V10 F/I	77-2570KTK ¹	17.5 @ 4101
E250	6.8L V10 F/I	77-2570KTK ¹	17.5 @ 4101	E350 Wagon	5.4L V8 F/I	77-2570KTK ¹	17.5 @ 4101
E350 Super Duty	5.4L V8 F/I	77-2570KTK ¹	17.5 @ 4101	E350 Wagon	6.8L V10 F/I	77-2570KTK ¹	17.5 @ 4101
E350 Super Duty	6.8L V10 F/I	77-2570KTK ¹	17.5 @ 4101	E450 Super Duty	5.4L V8 F/I	77-2570KTK ¹	17.5 @ 4101
E350 Wagon	5.4L V8 F/I	77-2570KTK ¹	17.5 @ 4101	E450 Super Duty	6.8L V10 F/I	77-2570KTK ¹	17.5 @ 4101
E350 Wagon	6.8L V10 F/I	77-2570KTK ¹	17.5 @ 4101	E550 Super Duty	6.8L V10 F/I	77-2570KTK ²	17.5 @ 4101
				Edge	3.5L V6 F/I	77-2574KS ¹	11.2 @ 5797
				Expedition	5.4L V8 F/I	57-2575 ¹	11.0 @ 4600

1) Street legal in all US states. 2) Not legal for sale or use on any pollution controlled motor vehicle in California or states adopting California emission procedures.

* Estimated horsepower gains are based on specific or similar vehicle dyno tests. Results will vary. See Page 478 for more information. Partial Listing - Complete List of Vehicles and Applications at knfilters.com. See page 5 for information on intake tube materials/colors.

AIR INTAKE SYSTEMS

FORD

Vehicle	Engine Type	Part Number	Estimated Horsepower*	Vehicle	Engine Type	Part Number	Estimated Horsepower*
2007 FORD				2006 FORD			
Expedition	5.4L V8 F/I	63-2575 ²	11.0 @ 4600	Expedition	5.4L V8 F/I	57-2568 ¹	13.6 @ 3872
		63-2575 ²	11.2 @ 4600	Explorer	4.6L V8 F/I	77-2573KP ¹	10.0 @ 4700
Explorer	4.6L V8 F/I	57-2573 ¹	11.0 @ 4500			57-2573 ¹	11.0 @ 4500
		77-2573KP ¹	10.0 @ 4700	F150	4.2L V6 F/I	57-2572 ¹	7.4 @ 4016
F150	4.2L V6 F/I	57-2572 ¹	7.4 @ 4106	F150	4.6L V8 F/I	77-2569KP ¹	7.7 @ 4775
		63-2572 ²	7.4 @ 4016			57-2569 ¹	8.5 @ 4775
F150	4.6L V8 F/I	57-2574 ¹	9.9 @ 4200	F150	5.4L V8 F/I	77-2556KP ¹	9.6 @ 3724
F150	5.4L V8 F/I	57-2556 ¹	15.5 @ 3829			71-2556 ¹	11.5 @ 3800
		77-2556KP ¹	9.6 @ 3724			57-2556 ¹	15.5 @ 3829
		71-2556 ¹	11.5 @ 3800	F250 Harley Davidson Super Duty	6.0L V8 DSL	57-2546-1 ¹	15.5 @ 3426
F250 Harley Davidson Super Duty	6.0L V8 DSL	57-2546-1 ¹	15.5 @ 3426	F250 Super Duty	5.4L V8 F/I	57-2570 ¹	21.5 @ 4387
F250 Super Duty	6.0L V8 DSL	57-2546-1 ¹	15.5 @ 3426	F250 Super Duty	6.0L V8 DSL	57-2546-1 ¹	15.5 @ 3426
F350 Cutaway	6.0L V8 DSL	57-2546-1 ¹	15.5 @ 3426	F250 Super Duty	6.8L V10 F/I	57-2567 ¹	16.2 @ 4450
F350 Harley Davidson Super Duty	6.0L V8 DSL	57-2546-1 ¹	15.5 @ 3426	F350	5.4L V8 F/I	57-2570 ¹	21.5 @ 4387
F350 Super Duty	6.0L V8 DSL	57-2546-1 ¹	15.5 @ 3426	F350 Cutaway	6.0L V8 DSL	57-2546-1 ¹	15.5 @ 3426
F450 Super Duty	6.0L V8 DSL	57-2546-1 ¹	15.5 @ 3426	F350 Harley Davidson Super Duty	6.0L V8 DSL	57-2546-1 ¹	15.5 @ 3426
F550 Super Duty	6.0L V8 DSL	57-2546-1 ¹	15.5 @ 3426	F350 Super Duty	5.4L V8 F/I	57-2570 ¹	21.5 @ 4387
Fiesta V	2.0L L4 F/I	69-4002TB ²		F350 Super Duty	6.0L V8 DSL	57-2546-1 ¹	15.5 @ 3426
Focus	2.0L L4 F/I - Exc. LEV2 SULEV Test Group 7FMXV02.0VZP	69-3513TTK ¹	5.2 @ 5400	F350 Super Duty	6.8L V10 F/I	57-2567 ¹	16.2 @ 4450
				F450 Super Duty	6.0L V8 DSL	57-2546-1 ¹	15.5 @ 3426
Focus	2.3L L4 F/I - Exc. PZEV Eng. Family 5FMXV02.01GB	69-3512TR ¹	8.5 @ 5800	F550 Super Duty	6.0L V8 DSL	57-2546-1 ¹	15.5 @ 3426
				Fiesta V	2.0L L4 F/I	69-4002TB ²	
		69-3512TP ²	8.5 @ 5800	Focus	2.3L L4 F/I - Exc. PZEV Eng. Family 5FMXV02.01GB	69-3512TR ¹	8.5 @ 5800
						69-3512TP ²	8.5 @ 5800
Fusion	2.3L L4 F/I - Exc. LEV2 SULEV Test Group 7FMXV02.3VZT	69-3514TTK ¹	6.0 @ 4200	Fusion	2.3L L4 F/I - Exc. LEV2 SULEV Test Group 6FMXV02.31ZA	69-3514TTK ¹	6.0 @ 4200
Fusion	3.0L V6 F/I	69-3515TS ¹	11.9 @ 5001	Fusion	3.0L V6 F/I	69-3515TS ¹	11.9 @ 5001
Lobo	5.4L V8 F/I	77-2556KP ²	9.6 @ 3724	Lobo	4.6L V8 F/I	77-2569KP ²	7.7 @ 4775
		71-2556 ²	11.5 @ 3800	Lobo	5.4L V8 F/I	77-2556KP ²	9.6 @ 3724
Mustang	4.0L V6 F/I	69-3522TP ¹	7.1 @ 5200			71-2556 ²	11.5 @ 3800
		57-2566 ¹	7.5 @ 4996	Mustang	4.0L V6 F/I	69-3522TP ¹	7.1 @ 5200
Mustang GT	4.6L V8 F/I	69-3523KP ²	8.8 @ 5208			57-2566 ¹	7.5 @ 4996
		63-2565 ²	15.3 @ 6000	Mustang GT	4.6L V8 F/I	69-3523KP ¹	8.8 @ 5208
Mustang Shelby	5.4L V8 F/I	57-2571 ¹	57.0 @ 5900			57-2565 ¹	15.3 @ 6000
Ranger	3.0L V6 F/I	57-2560 ¹	10.0 @ 4921	Ranger	3.0L V6 F/I	57-2560 ¹	10.0 @ 4921
Ranger	4.0L V6 F/I	77-2561KP ¹	11.2 @ 4950	Ranger	4.0L V6 F/I	77-2561KP ¹	11.2 @ 4950
		57-2561 ¹	13.5 @ 5129			57-2561 ¹	13.5 @ 5129
2006 FORD				2005 FORD			
Crown Victoria	4.6L V8 F/I - Exc. Police Package	69-3532TTK ¹	10.2 @ 4491	Crown Victoria	4.6L V8 F/I - Exc. Police Package	69-3532TTK ¹	10.2 @ 4491
E150	5.4L V8 F/I	77-2570KTK ¹	17.5 @ 4101	E150	5.4L V8 F/I	77-2570KTK ¹	17.5 @ 4101
E150 Wagon	5.4L V8 F/I	77-2570KTK ¹	17.5 @ 4101	E150 Club Wagon	5.4L V8 F/I	77-2570KTK ¹	17.5 @ 4101
E250	5.4L V8 F/I	77-2570KTK ¹	17.5 @ 4101	E250	5.4L V8 F/I	77-2570KTK ¹	17.5 @ 4101
E250	6.8L V10 F/I	77-2570KTK ¹	17.5 @ 4101	E250	6.8L V10 F/I	77-2570KTK ¹	17.5 @ 4101
E350 Super Duty	5.4L V8 F/I	77-2570KTK ¹	17.5 @ 4101	E250 Club Wagon	5.4L V8 F/I	77-2570KTK ¹	17.5 @ 4101
E350 Super Duty	6.8L V10 F/I	77-2570KTK ¹	17.5 @ 4101	E350 Club Wagon	5.4L V8 F/I	77-2570KTK ¹	17.5 @ 4101
E350 Wagon	5.4L V8 F/I	77-2570KTK ¹	17.5 @ 4101	E350 Club Wagon	6.8L V10 F/I	77-2570KTK ¹	17.5 @ 4101
E350 Wagon	6.8L V10 F/I	77-2570KTK ¹	17.5 @ 4101	E350 Super Duty	5.4L V8 F/I	77-2570KTK ¹	17.5 @ 4101
E450 Super Duty	5.4L V8 F/I	77-2570KTK ¹	17.5 @ 4101	E350 Super Duty	6.8L V10 F/I	77-2570KTK ¹	17.5 @ 4101
E450 Super Duty	6.8L V10 F/I	77-2570KTK ¹	17.5 @ 4101	E450 Super Duty	5.4L V8 F/I	77-2570KTK ¹	17.5 @ 4101
E550 Super Duty	6.8L V10 F/I	77-2570KTK ²	17.5 @ 4101				
Expedition	5.4L V8 F/I	77-2568KP ¹	10.6 @ 3872				

1) Street legal in all US states. 2) Not legal for sale or use on any pollution controlled motor vehicle in California or states adopting California emission procedures.

* Estimated horsepower gains are based on specific or similar vehicle dyno tests. Results will vary. See Page 478 for more information. Partial Listing - Complete List of Vehicles and Applications at knfilters.com. See page 5 for information on intake tube materials/colors.

FORD

AIR INTAKE SYSTEMS

Vehicle	Engine Type	Part Number	Estimated Horsepower*	Vehicle	Engine Type	Part Number	Estimated Horsepower*
2005 FORD				2005 FORD			
E450 Super Duty	6.8L V10 F/I	77-2570KTK ¹	17.5 @ 4101	Thunderbird	3.9L V8 F/I	57-2562 ¹	15.8 @ 6000
E550 Super Duty	6.8L V10 F/I	77-2570KTK ²	17.5 @ 4101	2004 FORD			
Excursion	5.4L V8 F/I	57-2570 ¹	21.5 @ 4387	Crown Victoria	4.6L V8 F/I - Exc. Police Package	69-3532TTK ¹	10.2 @ 4491
Excursion	6.0L V8 DSL	57-2546-1 ¹	15.5 @ 3426	E150	5.4L V8 F/I	77-2570KTK ¹	17.5 @ 4101
Excursion	6.8L V10 F/I	57-2524-2 ¹	12.0 @ 4140	E150 Club Wagon	5.4L V8 F/I	77-2570KTK ¹	17.5 @ 4101
Expedition	5.4L V8 F/I	77-2556KP ¹	9.6 @ 3724	E250	5.4L V8 F/I	77-2570KTK ¹	17.5 @ 4101
		57-2556 ¹	15.5 @ 3829	E250	6.8L V10 F/I	77-2570KTK ¹	17.5 @ 4101
		71-2556 ¹	11.5 @ 3800	E350 Club Wagon	5.4L V8 F/I	77-2570KTK ¹	17.5 @ 4101
Explorer	4.6L V8 F/I	57-2564 ¹	10.4 @ 4921	E350 Club Wagon	6.8L V10 F/I	77-2570KTK ¹	17.5 @ 4101
F150	4.2L V6 F/I	57-2572 ¹	7.4 @ 4106	E350 Super Duty	5.4L V8 F/I	77-2570KTK ¹	17.5 @ 4101
F150	4.6L V8 F/I	77-2557KP ¹	9.3 @ 4724	E350 Super Duty	6.8L V10 F/I	77-2570KTK ¹	17.5 @ 4101
		57-2557 ¹	7.8 @ 4828	E450 Super Duty	5.4L V8 F/I	77-2570KTK ¹	17.5 @ 4101
F150	5.4L V8 F/I	77-2556KP ¹	9.6 @ 3724	E450 Super Duty	6.8L V10 F/I	77-2570KTK ¹	17.5 @ 4101
		71-2556 ¹	11.5 @ 3800	E550 Super Duty	6.8L V10 F/I	77-2570KTK ²	17.5 @ 4101
		57-2556 ¹	15.5 @ 3829	Excursion	5.4L V8 F/I	57-2525-2 ¹	11.6 @ 4480
F250 Harley Davidson Super Duty	6.0L V8 DSL	57-2546-1 ¹	15.5 @ 3426	Excursion	6.0L V8 DSL	57-2546-1 ¹	15.5 @ 3426
F250 Harley Davidson Super Duty	6.8L V10 F/I	57-2567 ¹	16.2 @ 4450	Excursion	6.8L V10 F/I	57-2524-2 ¹	12.0 @ 4140
F250 Super Duty	5.4L V8 F/I	57-2570 ¹	21.5 @ 4387	Expedition	4.6L V8 F/I	77-2514KP ¹	9.7 @ 4093
F250 Super Duty	6.0L V8 DSL	57-2546-1 ¹	15.5 @ 3426			57-2538 ¹	10.2 @ 4618
F250 Super Duty	6.8L V10 F/I	57-2567 ¹	16.2 @ 4450	Expedition	5.4L V8 F/I	77-2514KP ¹	9.7 @ 4093
F350	5.4L V8 F/I	57-2570 ¹	21.5 @ 4387			57-2538 ¹	10.2 @ 4618
F350 Harley Davidson Super Duty	6.0L V8 DSL	57-2546-1 ¹	15.5 @ 3426	Explorer	4.6L V8 F/I	57-2564 ¹	10.4 @ 4921
F350 Harley Davidson Super Duty	6.8L V10 F/I	57-2567 ¹	16.2 @ 4450	Explorer Sport Trac	4.0L V6 F/I	77-2529KP ¹	5.3 @ 5095
F350 Super Duty	5.4L V8 F/I	57-2570 ¹	21.5 @ 4387			57-2529-1 ¹	6.9 @ 5244
F350 Super Duty	6.0L V8 DSL	57-2546-1 ¹	15.5 @ 3426	F150	4.2L V6 F/I	77-2550KP ¹	6.2 @ 4567
F450 Super Duty	6.0L V8 DSL	57-2546-1 ¹	15.5 @ 3426			57-2550 ¹	7.6 @ 4891
F550 Super Duty	6.0L V8 DSL	57-2546-1 ¹	15.5 @ 3426	F150	4.6L V8 F/I	77-2557KP ¹	9.3 @ 4724
Fiesta V	2.0L L4 F/I	69-4002TB ²				57-2557 ¹	7.8 @ 4828
Focus	2.0L L4 F/I - Exc. PZEV Eng. Family 5FMXV02.01GB	57-2559 ¹	11.9 @ 5797	F150	5.4L V8 F/I	77-2556KP ¹	9.6 @ 3724
						71-2556 ¹	11.5 @ 3800
Focus	2.3L L4 F/I - Exc. PZEV Eng. Family 5FMXV02.01GB	69-3512TR ¹	8.5 @ 5800			57-2556 ¹	15.5 @ 3829
				F150 Heritage	4.6L V8 F/I	77-2514KP ¹	9.7 @ 4093
		69-3512TP ²	8.5 @ 5800			57-2541 ¹	13.1 @ 4562
		57-2559 ¹	11.9 @ 5797	F150 Heritage	5.4L V8 F/I	57-2541 ¹	13.1 @ 4562
Lobo	4.6L V8 F/I	77-2557KP ²	9.3 @ 4724	F150 Lightning	5.4L V8 F/I	57-2549 ¹	15.6 @ 5162
Lobo	5.4L V8 F/I	77-2556KP ²	9.6 @ 3724	F250 Harley Davidson Super Duty	6.0L V8 DSL	57-2546-1 ¹	15.5 @ 3426
		71-2556 ²	11.5 @ 3800	F250 Super Duty	5.4L V8 F/I	57-2525-2 ¹	11.6 @ 4480
Mustang	4.0L V6 F/I	69-3522TP ¹	7.1 @ 5200	F250 Super Duty	6.0L V8 DSL	57-2546-1 ¹	15.5 @ 3426
		57-2566 ¹	7.5 @ 4596	F250 Super Duty	6.8L V10 F/I	57-2524-2 ¹	12.0 @ 4140
Mustang GT	4.6L V8 F/I	69-3523KP ¹	8.8 @ 5208	F350	5.4L V8 F/I	57-2525-2 ¹	11.6 @ 4480
		57-2565 ¹	15.3 @ 6000	F350 Super Duty	5.4L V8 F/I	57-2525-2 ¹	11.6 @ 4480
Ranger	3.0L V6 F/I	57-2560 ¹	10.0 @ 4921	F350 Super Duty	6.0L V8 DSL	57-2546-1 ¹	15.5 @ 3426
Ranger	4.0L V6 F/I	77-2561KP ¹	11.2 @ 4950	F350 Super Duty	6.8L V10 F/I	57-2524-2 ¹	12.0 @ 4140
		57-2561 ¹	13.5 @ 5129	F450 Super Duty	6.0L V8 DSL	57-2546-1 ¹	15.5 @ 3426
Thunderbird	3.9L V8 F/I	69-3520TP ¹	8.0 @ 5379	F550 Super Duty	6.0L V8 DSL	57-2546-1 ¹	15.5 @ 3426
				Focus	1.8L L4 F/I	69-4000TS ²	
						69-4000TB ²	
				Focus	2.0L L4 F/I - DOHC	57-2526-2 ¹	3.2 @ 5100
				Focus	2.0L L4 F/I - Non-US	69-4000TS ²	
						69-4000TB ²	
				Focus	2.3L L4 F/I	69-3512TR ²	8.5 @ 5800
						69-3512TP ²	8.5 @ 5800
						63-1101 ²	11.9 @ 5797
				Focus ST170	2.0L L4 F/I	69-3511TR ²	6.2 @ 5000

1) Street legal in all US states. 2) Not legal for sale or use on any pollution controlled motor vehicle in California or states adopting California emission procedures.

* Estimated horsepower gains are based on specific or similar vehicle dyno tests. Results will vary. See Page 478 for more information. Partial Listing - Complete List of Vehicles and Applications at knfilters.com. See page 5 for information on intake tube materials/colors.

AIR INTAKE SYSTEMS

FORD

Vehicle	Engine Type	Part Number	Estimated Horsepower*	Vehicle	Engine Type	Part Number	Estimated Horsepower*
2004 FORD				2003 FORD			
Focus ST170	2.0L L4 F/I	69-3511TP ²	6.2 @ 5000	F250 Super Duty	6.0L V8 DSL	57-2546-1 ¹	15.5 @ 3426
Focus SVT	2.0L L4 F/I	69-3511TR ¹	6.2 @ 5000	F250 Super Duty	6.8L V10 F/I	57-2524-2 ¹	12.0 @ 4140
		69-3511TP ¹	6.2 @ 5000	F250 Super Duty	7.3L V8 DSL	57-2530 ¹	14.9 @ 2925
		57-2547 ¹	5.5 @ 6500	F350 Super Duty	5.4L V8 F/I	57-2525-2 ¹	11.6 @ 4480
Lobo	4.6L V8 F/I	77-2557KP ²	9.3 @ 4724	F350 Super Duty	6.0L V8 DSL	57-2546-1 ¹	15.5 @ 3426
Lobo	5.4L V8 F/I	77-2556KP ²	9.6 @ 3724	F350 Super Duty	6.8L V10 F/I	57-2524-2 ¹	12.0 @ 4140
		71-2556 ²	11.5 @ 3800	F350 Super Duty	7.3L V8 DSL	57-2530 ¹	14.9 @ 2925
Mustang	3.8L V6 F/I	57-2532 ¹	6.9 @ 4825	F450 Super Duty	6.0L V8 DSL	57-2546-1 ¹	15.5 @ 3426
Mustang GT	4.6L V8 F/I	69-3521TP ¹	6.8 @ 4600	F550 Super Duty	6.0L V8 DSL	57-2546-1 ¹	15.5 @ 3426
		57-2519-3 ¹	10.1 @ 4945	Focus	1.8L L4 F/I	69-4000TS ²	
Mustang Mach 1	4.6L V8 F/I	57-2555 ¹	12.6 @ 5100			69-4000TB ²	
Mustang SVT Cobra	4.6L V8 F/I	57-2545 ¹	30.3 @ 5900	Focus	2.0L L4 F/I - DOHC	69-3510TP ¹	3.9 @ 2931
Ranger	3.0L V6 F/I	57-2560 ¹	10.0 @ 4921			69-3510TB ¹	3.9 @ 2931
Ranger	4.0L V6 F/I	77-2561KP ¹	11.2 @ 4950			57-2526-2 ¹	3.2 @ 5100
		57-2561 ¹	13.5 @ 5129	Focus	2.0L L4 F/I - Non-US	69-4000TS ²	
Thunderbird	3.9L V8 F/I	69-3520TP ¹	8.0 @ 5379			69-4000TB ²	
		57-2562 ¹	15.8 @ 6000	Focus	2.3L L4 F/I	69-3512TR ²	8.5 @ 5800
						69-3512TP ²	8.5 @ 5800
						63-1101 ²	11.9 @ 5797
2003 FORD						69-3511TR ²	6.2 @ 5000
Crown Victoria	4.6L V8 F/I	57-2553 ¹	13.1 @ 4979	Focus ST170	2.0L L4 F/I	69-3511TP ²	6.2 @ 5000
E150	5.4L V8 F/I	77-2570KTK ¹	17.5 @ 4101			69-3511TR ¹	6.2 @ 5000
E150 Club Wagon	5.4L V8 F/I	77-2570KTK ¹	17.5 @ 4101	Focus SVT	2.0L L4 F/I	69-3511TP ¹	6.2 @ 5000
E250	5.4L V8 F/I	77-2570KTK ¹	17.5 @ 4101			57-2547 ¹	5.5 @ 6500
E250	6.8L V10 F/I	77-2570KTK ¹	17.5 @ 4101	Lobo	5.4L V8 F/I	77-2514KP ²	9.7 @ 4093
E350 Club Wagon	5.4L V8 F/I	77-2570KTK ¹	17.5 @ 4101	Mustang	3.8L V6 F/I	57-2532 ¹	6.9 @ 4825
E350 Club Wagon	6.8L V10 F/I	77-2570KTK ¹	17.5 @ 4101	Mustang GT	4.6L V8 F/I	69-3521TP ¹	6.8 @ 4600
E350 Super Duty	5.4L V8 F/I	77-2570KTK ¹	17.5 @ 4101			57-2519-3 ¹	10.1 @ 4945
E350 Super Duty	6.8L V10 F/I	77-2570KTK ¹	17.5 @ 4101	Mustang Mach 1	4.6L V8 F/I	57-2555 ¹	12.6 @ 5100
E450 Super Duty	5.4L V8 F/I	77-2570KTK ¹	17.5 @ 4101	Mustang SVT Cobra	4.6L V8 F/I	57-2545 ¹	30.3 @ 5900
E450 Super Duty	6.8L V10 F/I	77-2570KTK ¹	17.5 @ 4101	Ranger	2.3L L4 F/I	77-2552KP ¹	6.1 @ 4498
E550 Super Duty	6.8L V10 F/I	77-2570KTK ¹	17.5 @ 4101			57-2552 ¹	6.8 @ 4874
Escort ZX2	2.0L L4 F/I	69-3500TP ¹	4.6 @ 5700	Ranger	3.0L V6 F/I	57-2554 ¹	9.4 @ 4848
		69-3500TB ¹	4.6 @ 5700	Ranger	4.0L V6 F/I	77-2529KP ¹	5.3 @ 5095
Excursion	5.4L V8 F/I	57-2525-2 ¹	11.6 @ 4480			57-2529-1 ¹	6.9 @ 5244
Excursion	6.0L V8 DSL	57-2546-1 ¹	15.5 @ 3426	Thunderbird	3.9L V8 F/I	69-3520TP ¹	8.0 @ 5379
Excursion	6.8L V10 F/I	57-2524-2 ¹	12.0 @ 4140			57-2562 ¹	15.8 @ 6000
Excursion	7.3L V8 DSL	57-2530 ¹	14.9 @ 2925	2002 FORD			
Expedition	4.6L V8 F/I	77-2514KP ¹	9.7 @ 4093	Crown Victoria	4.6L V8 F/I	57-2544 ¹	16.9 @ 5000
		57-2538 ¹	10.2 @ 4618	E150 Econoline	5.4L V8 F/I	77-2570KTK ¹	17.5 @ 4101
Expedition	5.4L V8 F/I	77-2514KP ¹	9.7 @ 4093	E150 Econoline Club Wagon	5.4L V8 F/I	77-2570KTK ¹	17.5 @ 4101
		57-2538 ¹	10.2 @ 4618	E250	6.8L V10 F/I	77-2570KTK ¹	17.5 @ 4101
Explorer	4.0L V6 F/I	57-2537 ¹	7.3 @ 4890	E250 Econoline Club Wagon	5.4L V8 F/I	77-2570KTK ¹	17.5 @ 4101
Explorer	4.6L V8 F/I	57-2539 ¹	8.6 @ 4486	E350 Econoline Club Wagon	5.4L V8 F/I	77-2570KTK ¹	17.5 @ 4101
Explorer Sport	4.0L V6 F/I	77-2529KP ¹	5.3 @ 5095	E350 Econoline Club Wagon	6.8L V10 F/I	77-2570KTK ¹	17.5 @ 4101
		57-2529-1 ¹	6.9 @ 5244	E350 Econoline Club Wagon	5.4L V8 F/I	77-2570KTK ¹	17.5 @ 4101
Explorer Sport Trac	4.0L V6 F/I	77-2529KP ¹	5.3 @ 5095	E350 Econoline Club Wagon	6.8L V10 F/I	77-2570KTK ¹	17.5 @ 4101
		57-2529-1 ¹	6.9 @ 5244	E350 Super Duty	5.4L V8 F/I	77-2570KTK ¹	17.5 @ 4101
F150	4.2L V6 F/I	77-2550KP ¹	6.2 @ 4567	E350 Super Duty	6.8L V10 F/I	77-2570KTK ¹	17.5 @ 4101
		57-2550 ¹	7.6 @ 4891	E450 Econoline Super Duty	5.4L V8 F/I	77-2570KTK ¹	17.5 @ 4101
F150	4.6L V8 F/I	77-2514KP ¹	9.7 @ 4093	E450 Econoline Super Duty	6.8L V10 F/I	77-2570KTK ¹	17.5 @ 4101
		57-2541 ¹	13.1 @ 4562	E550 Econoline Super Duty	6.8L V10 F/I	77-2570KTK ¹	17.5 @ 4101
F150	5.4L V8 F/I	77-2514KP ¹	9.7 @ 4093	Escort ZX2	2.0L L4 F/I	69-3500TP ¹	4.6 @ 5700
		57-2541 ¹	13.1 @ 4562				
F150 Harley Davidson	5.4L V8 F/I	57-2549 ¹	15.6 @ 5162				
F150 Lightning	5.4L V8 F/I	57-2549 ¹	15.6 @ 5162				
F250 Super Duty	5.4L V8 F/I	57-2525-2 ¹	11.6 @ 4480				

1) Street legal in all US states. 2) Not legal for sale or use on any pollution controlled motor vehicle in California or states adopting California emission procedures.

* Estimated horsepower gains are based on specific or similar vehicle dyno tests. Results will vary. See Page 478 for more information. Partial Listing - Complete List of Vehicles and Applications at knfilters.com. See page 5 for information on intake tube materials/colors.

FORD

AIR INTAKE SYSTEMS

Vehicle	Engine Type	Part Number	Estimated Horsepower*	Vehicle	Engine Type	Part Number	Estimated Horsepower*
2002 FORD				2001 FORD			
Escort ZX2	2.0L L4 F/I	69-3500TB ¹	4.6 @ 5700	Crown Victoria	4.6L V8 F/I	57-2544 ¹	16.9 @ 5000
Excursion	5.4L V8 F/I	57-2525-2 ¹	11.6 @ 4482	E150 Econoline	5.4L V8 F/I	77-2570KTK ¹	17.5 @ 4101
Excursion	6.8L V10 F/I	57-2524-2 ¹	12.0 @ 4140	E150 Econoline Club Wagon	5.4L V8 F/I	77-2570KTK ¹	17.5 @ 4101
Excursion	7.3L V8 DSL	57-2530 ¹	14.9 @ 2925	E250	6.8L V10 F/I	77-2570KTK ¹	17.5 @ 4101
Expedition	4.6L V8 F/I	77-2514KP ¹	9.7 @ 4093	E250 Econoline	5.4L V8 F/I	77-2570KTK ¹	17.5 @ 4101
		57-2541 ¹	13.1 @ 4562	E350 Econoline Club Wagon	5.4L V8 F/I	77-2570KTK ¹	17.5 @ 4101
		57-2514-4 ¹	9.8 @ 4198	E350 Econoline Club Wagon	6.8L V10 F/I	77-2570KTK ¹	17.5 @ 4101
Expedition	5.4L V8 F/I	77-2514KP ¹	9.7 @ 4093	E350 Super Duty	5.4L V8 F/I	77-2570KTK ¹	17.5 @ 4101
		57-2541 ¹	13.1 @ 4562	E350 Super Duty	6.8L V10 F/I	77-2570KTK ¹	17.5 @ 4101
		57-2514-4 ¹	9.8 @ 4198	E450 Econoline Super Duty	5.4L V8 F/I	77-2570KTK ¹	17.5 @ 4101
Explorer	4.0L V6 F/I	57-2537 ¹	7.3 @ 4889	E450 Econoline Super Duty	6.8L V10 F/I	77-2570KTK ¹	17.5 @ 4101
Explorer	4.6L V8 F/I	57-2539 ¹	8.6 @ 4486	E550 Econoline Super Duty	6.8L V10 F/I	77-2570KTK ²	17.5 @ 4101
Explorer Sport	4.0L V6 F/I	77-2529KP ¹	5.3 @ 5095	Escort ZX2	2.0L L4 F/I	69-3500TP ¹	4.6 @ 5700
		57-2529-1 ¹	6.9 @ 5244			69-3500TB ¹	4.6 @ 5700
Explorer Sport Trac	4.0L V6 F/I	77-2529KP ¹	5.3 @ 5095	Excursion	5.4L V8 F/I	57-2525-2 ¹	11.6 @ 4480
		57-2529-1 ¹	6.9 @ 5244	Excursion	6.8L V10 F/I	57-2524-2 ¹	12.0 @ 4140
F150	4.2L V6 F/I	77-2550KP ¹	6.2 @ 4567	Excursion	7.3L V8 DSL	57-2530 ¹	14.9 @ 2925
		57-2550 ¹	7.6 @ 4891	Expedition	4.6L V8 F/I	77-2514KP ¹	9.7 @ 4093
F150	4.6L V8 F/I	77-2514KP ¹	9.7 @ 4093			57-2541 ¹	13.1 @ 4562
		57-2541 ¹	13.1 @ 4562	Expedition	5.4L V8 F/I	57-2514-4 ¹	9.8 @ 4198
		57-2514-4 ¹	9.8 @ 4198			77-2514KP ¹	9.7 @ 4093
F150	5.4L V8 F/I	77-2514KP ¹	9.7 @ 4093			57-2541 ¹	13.1 @ 4562
		57-2541 ¹	13.1 @ 4562	Expedition	5.4L V8 F/I	57-2514-4 ¹	9.8 @ 4198
		57-2514-4 ¹	9.8 @ 4198			77-2514KP ¹	9.7 @ 4093
F150 Harley Davidson	5.4L V8 F/I	57-2549 ¹	15.6 @ 5162	Explorer	4.0L V6 F/I	77-2529KP ¹	5.3 @ 5095
F150 Lightning	5.4L V8 F/I	57-2549 ¹	15.6 @ 5162			57-2529-1 ¹	6.9 @ 5244
F250 Super Duty	5.4L V8 F/I	57-2525-2 ¹	11.6 @ 4480	Explorer Sport	4.0L V6 F/I	77-2529KP ¹	5.3 @ 5095
F250 Super Duty	6.8L V10 F/I	57-2524-2 ¹	12.0 @ 4140			57-2529-1 ¹	6.9 @ 5244
F250 Super Duty	7.3L V8 DSL	57-2530 ¹	14.9 @ 2925	Explorer Sport Trac	4.0L V6 F/I - from 7/00	77-2529KP ¹	5.3 @ 5095
F350 Super Duty	5.4L V8 F/I	57-2525-2 ¹	11.6 @ 4480			57-2529-1 ¹	6.9 @ 5244
F350 Super Duty	6.8L V10 F/I	57-2524-2 ¹	12.0 @ 4140	Explorer Sport Trac	4.0L V6 F/I - to 7/00	57-2528 ¹	8.6 @ 5303
F350 Super Duty	7.3L V8 DSL	57-2530 ¹	14.9 @ 2925	F150	4.2L V6 F/I	77-2550KP ¹	6.2 @ 4567
Focus	1.8L L4 F/I	69-4000TS ²				57-2550 ¹	7.6 @ 4891
		69-4000TB ²		F150	4.6L V8 F/I	77-2514KP ¹	9.7 @ 4093
Focus	2.0L L4 F/I - DOHC	69-3510TP ¹	3.9 @ 2931			57-2541 ¹	13.1 @ 4562
		69-3510TB ¹	3.9 @ 2931	F150	5.4L V8 F/I	57-2514-4 ¹	9.8 @ 4198
		57-2526-2 ¹	3.2 @ 5100			77-2514KP ¹	9.7 @ 4093
Focus	2.0L L4 F/I - Non-US	69-4000TS ²		F150	5.4L V8 F/I	57-2541 ¹	13.1 @ 4562
		69-4000TB ²				57-2514-4 ¹	9.8 @ 4198
Focus ST170	2.0L L4 F/I	69-3511TR ²	6.2 @ 5000	F150 Harley Davidson	5.4L V8 F/I	77-2514KP ¹	9.7 @ 4093
		69-3511TP ²	6.2 @ 5000			57-2541 ¹	13.1 @ 4562
Focus SVT	2.0L L4 F/I	69-3511TR ¹	6.2 @ 5000			57-2514-4 ¹	9.8 @ 4198
		69-3511TP ¹	6.2 @ 5000			77-2514KP ¹	9.7 @ 4093
		57-2547 ¹	5.5 @ 6500	F150 Lightning	5.4L V8 F/I	57-2549 ¹	15.6 @ 5162
Lobo	5.4L V8 F/I	77-2514KP ²	9.7 @ 4093	F250 Super Duty	5.4L V8 F/I	57-2525-2 ¹	11.6 @ 4480
Mustang	3.8L V6 F/I	57-2532 ¹	6.9 @ 4825	F250 Super Duty	6.8L V10 F/I	57-2524-2 ¹	12.0 @ 4140
Mustang GT	4.6L V8 F/I	69-3521TP ¹	6.8 @ 4600	F250 Super Duty	7.3L V8 DSL	57-2530 ¹	14.9 @ 2925
		63-1008 ²	4.5 @ 4216	F350 Super Duty	5.4L V8 F/I	57-2525-2 ¹	11.6 @ 4480
		57-2519-3 ¹	10.1 @ 4945	F350 Super Duty	6.8L V10 F/I	57-2524-2 ¹	12.0 @ 4140
Ranger	2.3L L4 F/I	77-2552KP ¹	6.1 @ 4498	F350 Super Duty	7.3L V8 DSL	57-2530 ¹	14.9 @ 2925
		57-2552 ¹	6.8 @ 4874	F350 Super Duty	5.4L V8 F/I	57-2525-2 ¹	11.6 @ 4480
Ranger	3.0L V6 F/I	57-2554 ¹	9.4 @ 4848	F350 Super Duty	6.8L V10 F/I	57-2524-2 ¹	12.0 @ 4140
Ranger	4.0L V6 F/I	77-2529KP ¹	5.3 @ 5095	F350 Super Duty	7.3L V8 DSL	57-2530 ¹	14.9 @ 2925
		57-2529-1 ¹	6.9 @ 5244	Focus	1.8L L4 F/I	69-4000TS ²	

1) Street legal in all US states. 2) Not legal for sale or use on any pollution controlled motor vehicle in California or states adopting California emission procedures.

* Estimated horsepower gains are based on specific or similar vehicle dyno tests. Results will vary. See Page 478 for more information. Partial Listing - Complete List of Vehicles and Applications at knfilters.com. See page 5 for information on intake tube materials/colors.

AIR INTAKE SYSTEMS

FORD

Vehicle	Engine Type	Part Number	Estimated Horsepower*	Vehicle	Engine Type	Part Number	Estimated Horsepower*
2001 FORD				2000 FORD			
Focus	1.8L L4 F/I	69-4000TB ²		F150	4.6L V8 F/I	77-2514KP ¹	9.7 @ 4093
Focus	2.0L L4 F/I - DOHC	69-3510TP ¹	3.9 @ 2931			57-2541 ¹	13.1 @ 4562
		57-2526-2 ¹	3.2 @ 5100			57-2514-4 ¹	9.8 @ 4198
		69-3510TB ¹	3.9 @ 2931	F150	5.4L V8 F/I	77-2514KP ¹	9.7 @ 4093
Focus	2.0L L4 F/I - Non-US	69-4000TS ²				57-2541 ¹	13.1 @ 4562
		69-4000TB ²				57-2514-4 ¹	9.8 @ 4198
Lobo	5.4L V8 F/I	77-2514KP ²	9.7 @ 4093	F150 Harley Davidson	5.4L V8 F/I	77-2514KP ¹	9.7 @ 4093
Mustang	3.8L V6 F/I	57-2532 ¹	6.9 @ 4825			57-2541 ¹	13.1 @ 4562
Mustang GT	4.6L V8 F/I	69-3524TP ¹	6.8 @ 4600			57-2514-4 ¹	9.8 @ 4198
		63-1008 ²	4.5 @ 4216				
		57-2519-3 ¹	10.1 @ 4945				
		57-2523-2 ¹	12.1 @ 5860	F150 Lightning	5.4L V8 F/I	57-2548 ¹	15.3 @ 5000
Mustang GT Bullitt	4.6L V8 F/I	57-2523-2 ¹	12.1 @ 5860	F250 Super Duty	5.4L V8 F/I	57-2525-2 ¹	11.6 @ 4480
Mustang SVT Cobra	4.6L V8 F/I	63-1008 ²	4.5 @ 4216	F250 Super Duty	6.8L V10 F/I	57-2524-2 ¹	12.0 @ 4140
		57-2523-2 ¹	12.1 @ 5860	F250 Super Duty	7.3L V8 DSL	57-2530 ¹	14.9 @ 2925
Ranger	2.3L L4 F/I	77-2552KP ¹	6.1 @ 4498	F350 Super Duty	5.4L V8 F/I	57-2525-2 ¹	11.6 @ 4480
		57-2552 ¹	6.8 @ 4874	F350 Super Duty	6.8L V10 F/I	57-2524-2 ¹	12.0 @ 4140
Ranger	2.5L L4 F/I	57-2540 ¹	6.6 @ 5000	F350 Super Duty	7.3L V8 DSL	57-2530 ¹	14.9 @ 2925
Ranger	3.0L V6 F/I	57-2533 ¹	5.5 @ 4721	Focus	1.8L L4 F/I	69-4000TS ²	
Ranger	4.0L V6 F/I	77-2529KP ¹	5.3 @ 5095			69-4000TB ²	
		57-2529-1 ¹	6.9 @ 5244	Focus	2.0L L4 F/I - DOHC	69-3510TP ¹	3.9 @ 2931
						69-3510TB ¹	3.9 @ 2931
						57-2526-2 ¹	3.2 @ 5100
2000 FORD				Focus	2.0L L4 F/I - Non-US	69-4000TS ²	
Crown Victoria	4.6L V8 F/I	57-2544 ¹	16.9 @ 5000			69-4000TB ²	
E150 Econoline	5.4L V8 F/I	77-2570KTK ¹	17.5 @ 4101	Mustang	3.8L V6 F/I	57-2532 ¹	6.9 @ 4820
E150 Econoline Club Wagon	5.4L V8 F/I	77-2570KTK ¹	17.5 @ 4101	Mustang GT	4.6L V8 F/I	69-3524TP ¹	6.8 @ 4600
E250	6.8L V10 F/I	77-2570KTK ¹	17.5 @ 4101			63-1008 ²	4.5 @ 4216
E250 Econoline	5.4L V8 F/I	77-2570KTK ¹	17.5 @ 4101			57-2519-3 ¹	10.1 @ 4945
E350 Econoline	5.4L V8 F/I	77-2570KTK ¹	17.5 @ 4101	Mustang SVT Cobra	4.6L V8 F/I	63-1008 ²	4.5 @ 4216
E350 Econoline Club Wagon	5.4L V8 F/I	77-2570KTK ¹	17.5 @ 4101	Ranger	2.5L L4 F/I	57-2540 ¹	6.6 @ 5000
E350 Econoline Club Wagon	6.8L V10 F/I	77-2570KTK ¹	17.5 @ 4101	Ranger	3.0L V6 F/I	57-2533 ¹	5.5 @ 4721
E350 Super Duty	5.4L V8 F/I	77-2570KTK ¹	17.5 @ 4101	Ranger	4.0L V6 F/I	57-2527 ¹	3.2 @ 3969
E350 Super Duty	6.8L V10 F/I	77-2570KTK ¹	17.5 @ 4101	Ranger	4.0L V6 F/I - OHV	77-2527KP ²	8.4 @ 4476
E450 Econoline Super Duty	5.4L V8 F/I	77-2570KTK ¹	17.5 @ 4101	Ranger	4.0L V6 F/I - SOHC	77-2528KP ²	12.0 @ 4764
E450 Econoline Super Duty	6.8L V10 F/I	77-2570KTK ¹	17.5 @ 4101	1999 FORD			
E550 Econoline Super Duty	6.8L V10 F/I	77-2570KTK ²	17.5 @ 4101	Crown Victoria	4.6L V8 F/I	57-2544 ¹	16.9 @ 5000
Escort ZX2	2.0L L4 F/I	69-3500TP ¹	4.6 @ 5700	E150 Econoline	5.4L V8 F/I	77-2570KTK ¹	17.5 @ 4101
		69-3500TB ¹	4.6 @ 5700	E150 Econoline Club Wagon	5.4L V8 F/I	77-2570KTK ¹	17.5 @ 4101
Excursion	5.4L V8 F/I	57-2525-2 ¹	11.6 @ 4480	E250	6.8L V10 F/I	77-2570KTK ¹	17.5 @ 4101
Excursion	6.8L V10 F/I	57-2524-2 ¹	12.0 @ 4140	E250 Econoline	5.4L V8 F/I	77-2570KTK ¹	17.5 @ 4101
Excursion	7.3L V8 DSL	57-2530 ¹	14.9 @ 2925	E350 Econoline	5.4L V8 F/I	77-2570KTK ¹	17.5 @ 4101
Expedition	4.6L V8 F/I	77-2514KP ¹	9.7 @ 4093	E350 Econoline Club Wagon	5.4L V8 F/I	77-2570KTK ¹	17.5 @ 4101
		57-2541 ¹	13.1 @ 4562	E350 Econoline Club Wagon	6.8L V10 F/I	77-2570KTK ¹	17.5 @ 4101
		57-2514-4 ¹	9.8 @ 4198	E350 Super Duty	5.4L V8 F/I	77-2570KTK ¹	17.5 @ 4101
Expedition	5.4L V8 F/I	77-2514KP ¹	9.7 @ 4093	E350 Super Duty	6.8L V10 F/I	77-2570KTK ¹	17.5 @ 4101
		57-2514-4 ¹	9.8 @ 4198	E450 Econoline Super Duty	5.4L V8 F/I	77-2570KTK ¹	17.5 @ 4101
		57-2541 ¹	13.1 @ 4562	E450 Econoline Super Duty	6.8L V10 F/I	77-2570KTK ¹	17.5 @ 4101
Explorer	4.0L V6 F/I - OHV	77-2527KP ²	8.4 @ 4476	E550 Econoline Super Duty	6.8L V10 F/I	77-2570KTK ²	17.5 @ 4101
		57-2527 ¹	3.2 @ 3969	Expedition	4.6L V8 F/I	77-2514KP ¹	9.7 @ 4093
Explorer	4.0L V6 F/I - SOHC	77-2528KP ²	12.0 @ 4764				
		57-2528 ¹	8.6 @ 5303				
F150	4.2L V6 F/I	77-2550KP ¹	6.2 @ 4567				
		57-2550 ¹	7.6 @ 4891				

1) Street legal in all US states. 2) Not legal for sale or use on any pollution controlled motor vehicle in California or states adopting California emission procedures.

* Estimated horsepower gains are based on specific or similar vehicle dyno tests. Results will vary. See Page 478 for more information. Partial Listing - Complete List of Vehicles and Applications at knfilters.com. See page 5 for information on intake tube materials/colors.

FORD

AIR INTAKE SYSTEMS

Vehicle	Engine Type	Part Number	Estimated Horsepower*	Vehicle	Engine Type	Part Number	Estimated Horsepower*
1999 FORD				1998 FORD			
Expedition	4.6L V8 F/I	57-2541 ¹	13.1 @ 4562	E350 Econoline Club Wagon	5.4L V8 F/I	77-2570KTK ¹	17.5 @ 4101
		57-2514-4 ¹	9.8 @ 4198	E350 Econoline Club Wagon	6.8L V10 F/I	77-2570KTK ¹	17.5 @ 4101
Expedition	5.4L V8 F/I	77-2514KP ¹	9.7 @ 4093				
		57-2541 ¹	13.1 @ 4562	E450 Econoline Super Duty	5.4L V8 F/I	77-2570KTK ¹	17.5 @ 4101
		57-2514-4 ¹	9.8 @ 4198	E450 Econoline Super Duty	6.8L V10 F/I	77-2570KTK ¹	17.5 @ 4101
Explorer	4.0L V6 F/I - OHV	77-2527KP ²	8.4 @ 4476				
		57-2527 ¹	3.2 @ 3969	E550 Econoline Super Duty	6.8L V10 F/I	77-2570KTK ²	17.5 @ 4101
Explorer	4.0L V6 F/I - SOHC	77-2528KP ²	12.0 @ 4764				
		57-2528 ¹	8.6 @ 5303	Expedition	4.6L V8 F/I	77-2514KP ¹	9.7 @ 4093
F150	4.2L V6 F/I	77-2550KP ¹	6.2 @ 4567				
		57-2550 ¹	7.6 @ 4891	Expedition	5.4L V8 F/I	77-2514KP ¹	9.7 @ 4093
F150	4.6L V8 F/I	77-2514KP ¹	9.7 @ 4093				
		57-2541 ¹	13.1 @ 4562	Expedition	5.4L V8 F/I	77-2514KP ¹	9.7 @ 4093
		57-2514-4 ¹	9.8 @ 4198				
F150	5.4L V8 F/I	77-2514KP ¹	9.7 @ 4093	Explorer	4.0L V6 F/I - OHV	77-2527KP ²	8.4 @ 4476
		57-2541 ¹	13.1 @ 4562				
		57-2514-4 ¹	9.8 @ 4198	Explorer	4.0L V6 F/I - SOHC	77-2528KP ²	12.0 @ 4764
F150 Lightning	5.4L V8 F/I	57-2548 ¹	15.3 @ 4974				
F250	4.6L V8 F/I	77-2514KP ¹	9.7 @ 4093	F150	4.2L V6 F/I	77-2550KP ¹	6.2 @ 4567
F250	5.4L V8 F/I	77-2514KP ¹	9.7 @ 4093				
		57-2525-2 ¹	11.6 @ 4480	F150	4.6L V8 F/I	77-2514KP ¹	9.7 @ 4093
F250 Super Duty	5.4L V8 F/I	57-2525-2 ¹	11.6 @ 4480				
F250 Super Duty	6.8L V10 F/I	57-2524-2 ¹	12.0 @ 4140	F150	4.6L V8 F/I	77-2514KP ¹	9.7 @ 4093
F250 Super Duty	7.3L V8 DSL - from 12/98	57-2530 ¹	14.9 @ 2925				
		57-2530 ¹	14.9 @ 2925	F150	5.4L V8 F/I	77-2514KP ¹	9.7 @ 4093
F350 Super Duty	5.4L V8 F/I	57-2525-2 ¹	11.6 @ 4480				
F350 Super Duty	6.8L V10 F/I	57-2524-2 ¹	12.0 @ 4140	F250	4.6L V8 F/I	77-2514KP ¹	9.7 @ 4093
F350 Super Duty	7.3L V8 DSL - from 12/98	57-2530 ¹	14.9 @ 2925				
		57-2530 ¹	14.9 @ 2925	F250	5.4L V8 F/I	77-2514-4 ¹	9.8 @ 4198
F450 Super Duty	6.8L V10 F/I	57-2524-2 ¹	12.0 @ 4140				
F450 Super Duty	7.3L V8 DSL - from 12/98	57-2530 ¹	14.9 @ 2925	F250	4.6L V8 F/I	77-2514KP ¹	9.7 @ 4093
		57-2530 ¹	14.9 @ 2925				
F550 Super Duty	6.8L V10 F/I	57-2524-2 ¹	12.0 @ 4140	Focus	1.8L L4 F/I	69-4000TS ²	
F550 Super Duty	7.3L V8 DSL - from 12/98	57-2530 ¹	14.9 @ 2925				
		57-2530 ¹	14.9 @ 2925	Focus	2.0L L4 F/I	69-4000TB ²	
Focus	1.8L L4 F/I	69-4000TS ²					
		69-4000TB ²		Mustang GT	4.6L V8 F/I	69-3524TP ¹	6.8 @ 4600
Focus	2.0L L4 F/I	69-4000TS ²					
		69-4000TB ²		Mustang SVT Cobra	4.6L V8 F/I	63-1008 ²	4.5 @ 4216
Mustang	3.8L V6 F/I	57-2532 ¹	6.9 @ 4825				
Mustang GT	4.6L V8 F/I	69-3524TP ¹	6.8 @ 4600	Mustang SVT Cobra	4.6L V8 F/I	57-2519-3 ¹	10.1 @ 4945
		63-1008 ²	4.5 @ 4216				
		57-2519-3 ¹	10.1 @ 4945	Ranger	2.5L L4 F/I	57-2540 ¹	6.6 @ 5000
Mustang SVT Cobra	4.6L V8 F/I	63-1008 ²	4.5 @ 4216				
		57-2523-2 ¹	12.1 @ 5860	Ranger	3.0L V6 F/I	57-2533 ¹	5.5 @ 4721
		57-2523-2 ¹	12.1 @ 5860				
Ranger	2.5L L4 F/I	57-2540 ¹	6.6 @ 5000	Ranger	4.0L V6 F/I - OHV	77-2527KP ²	8.4 @ 4476
Ranger	3.0L V6 F/I	57-2533 ¹	5.5 @ 4721				
Ranger	4.0L V6 F/I	57-2527 ¹	3.2 @ 3969	Ranger	4.0L V6 F/I - SOHC	77-2528KP ²	12.0 @ 4764
Ranger	4.0L V6 F/I - OHV	77-2527KP ²	8.4 @ 4476				
Ranger	4.0L V6 F/I - SOHC	77-2528KP ²	12.0 @ 4764	1997 FORD			
		77-2528KP ²	12.0 @ 4764	E150 Econoline Club Wagon	5.4L V8 F/I	77-2570KTK ¹	17.5 @ 4101
1998 FORD				E150 Econoline Club Wagon	5.4L V8 F/I	77-2570KTK ¹	17.5 @ 4101
E150 Econoline	5.4L V8 F/I	77-2570KTK ¹	17.5 @ 4101				
E150 Econoline Club Wagon	5.4L V8 F/I	77-2570KTK ¹	17.5 @ 4101	E250	6.8L V10 F/I	77-2570KTK ¹	17.5 @ 4101
E250	6.8L V10 F/I	77-2570KTK ¹	17.5 @ 4101	E250 Econoline	5.4L V8 F/I	77-2570KTK ¹	17.5 @ 4101
E250 Econoline	5.4L V8 F/I	77-2570KTK ¹	17.5 @ 4101	E350 Econoline	5.4L V8 F/I	77-2570KTK ¹	17.5 @ 4101
E350 Econoline	5.4L V8 F/I	77-2570KTK ¹	17.5 @ 4101	E350 Econoline	6.8L V10 F/I	77-2570KTK ¹	17.5 @ 4101
E350 Econoline	6.8L V10 F/I	77-2570KTK ¹	17.5 @ 4101	E350 Econoline Club Wagon	5.4L V8 F/I	77-2570KTK ¹	17.5 @ 4101
				E350 Econoline Club Wagon	6.8L V10 F/I	77-2570KTK ¹	17.5 @ 4101

1) Street legal in all US states. 2) Not legal for sale or use on any pollution controlled motor vehicle in California or states adopting California emission procedures.

* Estimated horsepower gains are based on specific or similar vehicle dyno tests. Results will vary. See Page 478 for more information. Partial Listing - Complete List of Vehicles and Applications at knfilters.com. See page 5 for information on intake tube materials/colors.

AIR INTAKE SYSTEMS

FORD

Vehicle	Engine Type	Part Number	Estimated Horsepower*	Vehicle	Engine Type	Part Number	Estimated Horsepower*
1997 FORD				1996 FORD			
E450 Econoline Super Duty	5.4L V8 F/I	77-2570KTK ¹	17.5 @ 4101	Bronco	5.0L V8 F/I - w/o Mass Air	63-1014 ²	9.4 @ 3787
E450 Econoline Super Duty	6.8L V10 F/I	77-2570KTK ¹	17.5 @ 4101	Bronco	5.8L V8 F/I - w/Mass Air	57-2543 ¹	10.2 @ 4201
E550 Econoline Super Duty Expedition	6.8L V10 F/I	77-2570KTK ²	17.5 @ 4101	Bronco	5.8L V8 F/I - w/o Mass Air	63-1014 ²	9.4 @ 3787
	4.6L V8 F/I	77-2514KP ¹	9.7 @ 4093	Explorer	4.0L V6 F/I	57-2536 ¹	5.9 @ 4202
		57-2541 ¹	13.1 @ 4562			57-2513-1 ¹	
Expedition	5.4L V8 F/I	77-2514KP ¹	9.7 @ 4093	Explorer	5.0L V8 F/I	57-2513-1 ¹	
		57-2541 ¹	13.1 @ 4562	F150	4.9L L6 F/I - w/Mass Air	57-2510-1 ¹	9.7 @ 4313
		57-2514-4 ¹	9.8 @ 4198	F150	4.9L L6 F/I - w/o Mass Air	63-1014 ²	9.4 @ 3787
Explorer	4.0L V6 F/I - OHV	77-2527KP ²	8.4 @ 4476	F150	5.0L V8 F/I - w/Mass Air	57-2543 ¹	10.2 @ 4201
		57-2536 ¹	5.9 @ 4202	F150	57-2510-1 ¹		9.7 @ 4313
Explorer	4.0L V6 F/I - OHV, w/Panel Filter	57-2527 ¹	3.2 @ 3969	F150	5.0L V8 F/I - w/o Mass Air	63-1014 ²	9.4 @ 3787
Explorer	4.0L V6 F/I - SOHC	77-2528KP ²	12.0 @ 4764	F150	5.8L V8 F/I - w/Mass Air	57-2543 ¹	10.2 @ 4201
		57-2528 ¹	8.6 @ 5303	F150	57-2510-1 ¹		9.7 @ 4313
Explorer	5.0L V8 F/I - w/Round Filter	57-2513-1 ¹		F250	5.8L V8 F/I - w/o Mass Air	63-1014 ²	9.4 @ 3787
F150	4.2L V6 F/I	77-2550KP ¹	6.2 @ 4567	F250	4.9L L6 F/I - w/Mass Air	57-2510-1 ¹	9.7 @ 4313
		57-2550 ¹	7.6 @ 4891	F250	4.9L L6 F/I - w/o Mass Air	63-1014 ²	9.4 @ 3787
F150	4.6L V8 F/I	77-2514KP ¹	9.7 @ 4093	F250	5.0L V8 F/I - w/Mass Air	57-2510-1 ¹	9.7 @ 4313
		57-2541 ¹	13.1 @ 4562	F250	5.0L V8 F/I - w/o Mass Air	63-1014 ²	9.4 @ 3787
		57-2514-4 ¹	9.8 @ 4198	F250	5.8L V8 F/I - w/Mass Air	57-2510-1 ¹	9.7 @ 4313
F150	5.4L V8 F/I	77-2514KP ¹	9.7 @ 4093	F250	5.8L V8 F/I - w/o Mass Air	63-1014 ²	9.4 @ 3787
		57-2541 ¹	13.1 @ 4562	F250	7.3L V8 DSL	57-2531 ¹	9.8 @ 3022
		57-2514-4 ¹	9.8 @ 4198	F250	7.5L V8 F/I - w/Mass Air	57-2516 ¹	
F250	4.6L V8 F/I	77-2514KP ¹	9.7 @ 4093	F250	7.5L V8 F/I - w/o Mass Air	63-1014 ²	9.4 @ 3787
		57-2514-4 ¹	9.8 @ 4198	F350	4.9L L6 F/I - w/Mass Air	57-2510-1 ¹	9.7 @ 4313
F250	5.4L V8 F/I	77-2514KP ¹	9.7 @ 4093	F350	4.9L L6 F/I - w/o Mass Air	63-1014 ²	9.4 @ 3787
		57-2514-4 ¹	9.8 @ 4198	F350	5.8L V8 F/I - w/Mass Air	57-2510-1 ¹	9.7 @ 4313
F250	7.3L V8 DSL	57-2531 ¹	9.8 @ 3022	F350	5.8L V8 F/I - w/o Mass Air	63-1014 ²	9.4 @ 3787
F250	7.5L V8 F/I - w/Mass Air	57-2516 ¹		F350	7.3L V8 DSL	57-2531 ¹	9.8 @ 3022
F250	7.5L V8 F/I - w/o Mass Air	63-1014 ²	9.8 @ 3787	F350	7.5L V8 F/I - w/Mass Air	57-2516 ¹	
F350	7.3L V8 DSL	57-2531 ¹	9.8 @ 3022	F350	7.5L V8 F/I - w/o Mass Air	63-1014 ²	9.4 @ 3787
F350	7.5L V8 F/I - w/Mass Air	57-2516 ¹		Mustang GT	4.6L V8 F/I	69-3524TP ¹	6.8 @ 4600
F350	7.5L V8 F/I - w/o Mass Air	63-1014 ²	9.4 @ 3787			63-1008 ²	4.5 @ 4216
Mustang GT	4.6L V8 F/I	69-3524TP ¹	6.8 @ 4600			57-2519-3 ¹	10.1 @ 4945
		63-1008 ²	4.5 @ 4216	Mustang SVT Cobra	4.6L V8 F/I	63-1008 ²	4.5 @ 4216
		57-2519-3 ¹	10.1 @ 4945			57-2523-2 ¹	12.1 @ 5860
Mustang SVT Cobra	4.6L V8 F/I	63-1008 ²	4.5 @ 4216	Probe	2.5L V6 F/I - US	57-2507 ¹	
		57-2523-2 ¹	12.1 @ 5860	Ranger	2.3L L4 F/I - w/Manual Trans.	57-2535 ¹	6.1 @ 5200
Probe	2.5L V6 F/I - US	57-2507 ¹		Ranger	4.0L V6 F/I	77-2527KP ²	8.4 @ 4476
Ranger	2.3L L4 F/I - w/Manual Trans.	57-2535 ¹	6.1 @ 5200	Ranger	4.0L V6 F/I - w/Panel Filter	57-2527 ¹	3.2 @ 3969
Ranger	4.0L V6 F/I	77-2527KP ²	8.4 @ 4476	Ranger	4.0L V6 F/I - w/Round Filter	57-2513-1 ¹	
Ranger	4.0L V6 F/I - w/Panel Filter	57-2527 ¹	3.2 @ 3969	Thunderbird	3.8L V6 F/I	57-2505-1 ¹	4.7 @ 3418
Ranger	4.0L V6 F/I - w/Round Filter	57-2513-1 ¹		Thunderbird	4.6L V8 F/I	57-2505-1 ¹	4.7 @ 3418
Thunderbird	3.8L V6 F/I	57-2505-1 ¹	4.7 @ 3418	1995 FORD			
Thunderbird	4.6L V8 F/I	57-2505-1 ¹	4.7 @ 3418	Bronco	5.0L V8 F/I - w/Mass Air	57-2543 ¹	10.2 @ 4201
1996 FORD						57-2510-1 ¹	9.7 @ 4313
Bronco	5.0L V8 F/I - w/Mass Air	57-2543 ¹	10.2 @ 4201	Bronco	5.0L V8 F/I - w/o Mass Air	57-2542 ¹	9.3 @ 3696
		57-2510-1 ¹	9.7 @ 4313			57-2503 ¹	5.3 @ 3654
				Bronco	5.8L V8 F/I - w/Mass Air	57-2543 ¹	10.2 @ 4201

1) Street legal in all US states. 2) Not legal for sale or use on any pollution controlled motor vehicle in California or states adopting California emission procedures.

* Estimated horsepower gains are based on specific or similar vehicle dyno tests. Results will vary. See Page 478 for more information. Partial Listing - Complete List of Vehicles and Applications at knfilters.com. See page 5 for information on intake tube materials/colors.

FORD

AIR INTAKE SYSTEMS

Vehicle	Engine Type	Part Number	Estimated Horsepower*	Vehicle	Engine Type	Part Number	Estimated Horsepower*
1995 FORD				1994 FORD			
Bronco	5.8L V8 F/I - w/Mass Air	57-2510-1 ¹	9.7 @ 4313	Bronco	5.8L V8 F/I - w/o Mass Air	57-2503 ¹	5.3 @ 3654
Bronco	5.8L V8 F/I - w/o Mass Air	57-2542 ¹	9.3 @ 3696	Escort GT	1.8L L4 F/I	57-2500 ¹	
		57-2503 ¹	5.3 @ 3654	F150	4.9L L6 F/I - w/o Mass Air	57-2503 ¹	5.3 @ 3654
Escort GT	1.8L L4 F/I	57-2500 ¹		F150	5.0L V8 F/I - w/Mass Air	57-2543 ¹	10.2 @ 4201
Explorer	4.0L V6 F/I	57-2536 ¹	5.9 @ 4202			57-2510-1 ¹	9.7 @ 4313
		57-2513-1 ¹		F150	5.0L V8 F/I - w/o Mass Air	57-2542 ¹	9.3 @ 3696
F150	4.9L L6 F/I - w/Mass Air	57-2510-1 ¹	9.7 @ 4313			57-2503 ¹	5.3 @ 3654
F150	4.9L L6 F/I - w/o Mass Air	57-2503 ¹	5.3 @ 3654	F150	5.8L V8 F/I - w/o Mass Air	57-2542 ¹	9.3 @ 3696
F150	5.0L V8 F/I - w/Mass Air	57-2543 ¹	10.2 @ 4201			57-2503 ¹	5.3 @ 3654
		57-2510-1 ¹	9.7 @ 4313	F150 Lightning	5.8L V8 F/I	57-2517 ¹	6.3 @ 4296
F150	5.0L V8 F/I - w/o Mass Air	57-2542 ¹	9.3 @ 3696	F250	4.9L L6 F/I - w/o Mass Air	57-2503 ¹	5.3 @ 3654
		57-2503 ¹	5.3 @ 3654			57-2503 ¹	5.3 @ 3654
F150	5.8L V8 F/I - w/Mass Air	57-2543 ¹	10.2 @ 4201	F250	5.0L V8 F/I - w/o Mass Air	57-2503 ¹	5.3 @ 3654
		57-2510-1 ¹	9.7 @ 4313	F250	5.8L V8 F/I - w/o Mass Air	57-2503 ¹	5.3 @ 3654
F150	5.8L V8 F/I - w/o Mass Air	57-2542 ¹	9.3 @ 3696	F250	7.3L V8 DSL - VIN F	57-2531 ¹	9.8 @ 3022
		57-2503 ¹	5.3 @ 3654	F250	7.5L V8 F/I - w/o Mass Air	57-2503 ¹	5.3 @ 3654
F150 Lightning	5.8L V8 F/I	57-2517 ¹	6.3 @ 4296	F350	4.9L L6 F/I - w/o Mass Air	57-2503 ¹	5.3 @ 3654
F250	4.9L L6 F/I - w/o Mass Air	57-2503 ¹	5.3 @ 3654	F350	5.8L V8 F/I - w/o Mass Air	57-2503 ¹	5.3 @ 3654
F250	4.9L V8 F/I - w/o Mass Air	57-2503 ¹	5.3 @ 3654	F350	7.3L V8 DSL - VIN F	57-2531 ¹	9.8 @ 3022
F250	5.0L V8 F/I - w/o Mass Air	57-2503 ¹	5.3 @ 3654	F350	7.5L V8 F/I - w/o Mass Air	57-2503 ¹	5.3 @ 3654
F250	5.8L V8 F/I - w/Mass Air	57-2543 ¹	10.2 @ 4201	Mustang	5.0L V8 F/I	57-2511 ¹	13.0 @ 4800
		57-2510-1 ¹	9.7 @ 4313	Mustang SVT Cobra	5.0L V8 F/I	57-2511 ¹	13.0 @ 4801
F250	5.8L V8 F/I - w/o Mass Air	57-2503 ¹	5.3 @ 3654	Probe	2.5L V6 F/I - US	57-2507 ¹	
F250	7.3L V8 DSL	57-2531 ¹	9.8 @ 3022	Thunderbird	3.8L V6 F/I - Exc. S/C	57-2505-1 ¹	4.7 @ 3418
F250	7.5L V8 F/I - w/o Mass Air	57-2503 ¹	5.3 @ 3654	Thunderbird	4.6L V8 F/I	57-2505-1 ¹	4.7 @ 3418
F350	4.9L L6 F/I - w/o Mass Air	57-2503 ¹	5.3 @ 3654	1993 FORD			
F350	5.8L V8 F/I - w/Mass Air	57-2543 ¹	10.2 @ 4201	Bronco	5.0L V8 F/I	57-2542 ¹	9.3 @ 3696
		57-2510-1 ¹	9.7 @ 4313			57-2503 ¹	5.3 @ 3654
F350	5.8L V8 F/I - w/o Mass Air	57-2503 ¹	5.3 @ 3654	Bronco	5.8L V8 F/I	57-2542 ¹	9.3 @ 3696
F350	7.3L V8 DSL	57-2531 ¹	9.8 @ 3022			57-2503 ¹	5.3 @ 3654
F350	7.5L V8 F/I - w/o Mass Air	57-2503 ¹	5.3 @ 3654	Escort GT	1.8L L4 F/I	57-2500 ¹	
Mustang	5.0L V8 F/I	57-2511 ¹	13.0 @ 4801	F150	4.9L L6 F/I	57-2503 ¹	5.3 @ 3654
Mustang SVT Cobra	5.0L V8 F/I	57-2511 ¹	13.0 @ 4801	F150	5.0L V8 F/I	57-2542 ¹	9.3 @ 3696
Probe	2.5L V6 F/I - US	57-2507 ¹				57-2503 ¹	5.3 @ 3654
Ranger	2.3L L4 F/I - w/Manual Trans.	57-2535 ¹	6.1 @ 5200	F150	5.8L V8 F/I	57-2542 ¹	9.3 @ 3696
Ranger	4.0L V6 F/I	57-2513-1 ¹				57-2503 ¹	5.3 @ 3654
Thunderbird	3.8L V6 F/I - Exc. S/C	57-2505-1 ¹	4.7 @ 3418	F150 Lightning	5.8L V8 F/I	57-2517 ¹	6.3 @ 4296
Thunderbird	4.6L V8 F/I	57-2505-1 ¹	4.7 @ 3418	F250	5.8L V8 F/I	57-2503 ¹	5.3 @ 3654
1994 FORD				F250	7.5L V8 F/I	57-2503 ¹	5.3 @ 3654
Bronco	5.0L V8 F/I - w/Mass Air	57-2543 ¹	10.2 @ 4201	F350	5.8L V8 F/I	57-2503 ¹	5.3 @ 3654
		57-2510-1 ¹	9.7 @ 4313	F350	7.5L V8 F/I	57-2503 ¹	5.3 @ 3654
Bronco	5.0L V8 F/I - w/o Mass Air	57-2542 ¹	9.3 @ 3696	F350	5.0L V8 F/I	57-2502 ¹	6.8 @ 4706
		57-2503 ¹	5.3 @ 3654	Mustang	5.0L V8 F/I	57-2502 ¹	6.8 @ 4706
Bronco	5.8L V8 F/I - w/o Mass Air	57-2542 ¹	9.3 @ 3696	Probe	2.5L V6 F/I	57-2507 ¹	
				Thunderbird	3.8L V6 F/I - Exc. S/C	57-2505-1 ¹	4.7 @ 3418
				Thunderbird	5.0L V8 F/I	57-2505-1 ¹	4.7 @ 3418
				1992 FORD			
				Bronco	4.9L L6 F/I	57-2503 ¹	5.3 @ 3654
				Bronco	5.0L V8 F/I	57-2542 ¹	9.3 @ 3696
						57-2503 ¹	5.3 @ 3654

1) Street legal in all US states. 2) Not legal for sale or use on any pollution controlled motor vehicle in California or states adopting California emission procedures.

* Estimated horsepower gains are based on specific or similar vehicle dyno tests. Results will vary. See Page 478 for more information. Partial Listing - Complete List of Vehicles and Applications at knfilters.com. See page 5 for information on intake tube materials/colors.

AIR INTAKE SYSTEMS

FORD

Vehicle	Engine Type	Part Number	Estimated Horsepower*	Vehicle	Engine Type	Part Number	Estimated Horsepower*
1992 FORD				1989 FORD			
Bronco	5.8L V8 F/I	57-2542 ¹	9.3 @ 3696	Bronco	5.0L V8 F/I - w/o Mass Air	57-2542 ¹	9.3 @ 3696
		57-2503 ¹	5.3 @ 3654			57-2503 ¹	5.3 @ 3654
Escort GT	1.8L L4 F/I	57-2500 ¹					
F150	4.9L L6 F/I	57-2503 ¹	5.3 @ 3654	Bronco	5.8L V8 F/I - w/o Mass Air	57-2503 ¹	5.3 @ 3654
F150	5.0L V8 F/I	57-2503 ¹	5.3 @ 3654			57-2542 ¹	9.3 @ 3696
		57-2542 ¹	9.3 @ 3696				
F150	5.8L V8 F/I	57-2542 ¹	9.3 @ 3696	F150	4.9L L6 F/I - w/o Mass Air	57-2503 ¹	5.3 @ 3654
		57-2503 ¹	5.3 @ 3654				
F250	5.8L V8 F/I	57-2503 ¹	5.3 @ 3654	F150	5.0L V8 F/I - w/o Mass Air	57-2542 ¹	9.3 @ 3696
F250	7.5L V8 F/I	57-2503 ¹	5.3 @ 3654			57-2503 ¹	5.3 @ 3654
F350	5.8L V8 F/I	57-2503 ¹	5.3 @ 3654				
F350	7.5L V8 F/I	57-2503 ¹	5.3 @ 3654	F150	5.8L V8 F/I - w/o Mass Air	57-2542 ¹	9.3 @ 3696
Mustang	5.0L V8 F/I	57-2502 ¹	6.8 @ 4706			57-2503 ¹	5.3 @ 3654
Thunderbird	3.8L V6 F/I - Exc. S/C	57-2505-1 ¹	4.7 @ 3418	F250	4.9L L6 F/I - w/o Mass Air	57-2503 ¹	5.3 @ 3654
Thunderbird	5.0L V8 F/I	57-2505-1 ¹	4.7 @ 3418				
1991 FORD				1988 FORD			
Bronco	4.9L L6 F/I	57-2503 ¹	5.3 @ 3654	Bronco	4.9L L6 F/I - w/o Mass Air	57-2503 ¹	5.3 @ 3654
Bronco	5.0L V8 F/I	57-2542 ¹	9.3 @ 3696				
		57-2503 ¹	5.3 @ 3654	Bronco	5.0L V8 F/I - w/o Mass Air	57-2542 ¹	9.3 @ 3696
Bronco	5.8L V8 F/I	57-2542 ¹	9.3 @ 3696			57-2503 ¹	5.3 @ 3654
		57-2503 ¹	5.3 @ 3654	F Super Duty	7.5L V8 F/I - w/o Mass Air	57-2503 ¹	5.3 @ 3654
Escort GT	1.8L L4 F/I	57-2500 ¹					
F150	4.9L L6 F/I	57-2503 ¹	5.3 @ 3654	F150	4.9L L6 F/I - w/o Mass Air	57-2503 ¹	5.3 @ 3654
F150	5.0L V8 F/I	57-2542 ¹	9.3 @ 3696				
		57-2503 ¹	5.3 @ 3654	F150	5.0L V8 F/I - w/o Mass Air	57-2503 ¹	5.3 @ 3654
F150	5.8L V8 F/I	57-2542 ¹	9.3 @ 3696			57-2542 ¹	9.3 @ 3696
		57-2503 ¹	5.3 @ 3654	F150	5.8L V8 F/I - w/o Mass Air	57-2542 ¹	9.3 @ 3696
F250	4.9L L6 F/I	57-2503 ¹	5.3 @ 3654			57-2503 ¹	5.3 @ 3654
F250	5.8L V8 F/I	57-2503 ¹	5.3 @ 3654	F250	4.9L L6 F/I - w/o Mass Air	57-2503 ¹	5.3 @ 3654
F250	7.5L V8 F/I	57-2503 ¹	5.3 @ 3654				
F350	5.8L V8 F/I	57-2503 ¹	5.3 @ 3654	F250	5.0L V8 F/I - w/o Mass Air	57-2503 ¹	5.3 @ 3654
F350	7.5L V8 F/I	57-2503 ¹	5.3 @ 3654				
Mustang	5.0L V8 F/I	57-2502 ¹	6.8 @ 4706	F250	5.8L V8 F/I - w/o Mass Air	57-2503 ¹	5.3 @ 3654
Thunderbird	3.8L V6 F/I - Exc. S/C	57-2505-1 ¹	4.7 @ 3418				
Thunderbird	5.0L V8 F/I	57-2505-1 ¹	4.7 @ 3418	F250	7.5L V8 F/I - w/o Mass Air	57-2503 ¹	5.3 @ 3654
1990 FORD							
Bronco	4.9L L6 F/I	57-2503 ¹	5.3 @ 3654	F250	4.9L L6 F/I - w/o Mass Air	57-2503 ¹	5.3 @ 3654
Bronco	5.0L V8 F/I	57-2542 ¹	9.3 @ 3696				
		57-2503 ¹	5.3 @ 3654	F250	5.0L V8 F/I - w/o Mass Air	57-2503 ¹	5.3 @ 3654
Bronco	5.8L V8 F/I	57-2503 ¹	5.3 @ 3654				
		57-2542 ¹	9.3 @ 3696	F250	5.8L V8 F/I - w/o Mass Air	57-2503 ¹	5.3 @ 3654
F150	4.9L L6 F/I	57-2503 ¹	5.3 @ 3654				
F150	5.0L V8 F/I	57-2542 ¹	9.3 @ 3696	F250	7.5L V8 F/I - w/o Mass Air	57-2503 ¹	5.3 @ 3654
		57-2503 ¹	5.3 @ 3654				
F150	5.8L V8 F/I	57-2542 ¹	9.3 @ 3696	F250	5.8L V8 F/I - w/o Mass Air	57-2503 ¹	5.3 @ 3654
		57-2503 ¹	5.3 @ 3654				
F250	4.9L L6 F/I	57-2503 ¹	5.3 @ 3654	F250	7.5L V8 F/I - w/o Mass Air	57-2503 ¹	5.3 @ 3654
F250	5.8L V8 F/I	57-2503 ¹	5.3 @ 3654				
F250	7.5L V8 F/I	57-2503 ¹	5.3 @ 3654	F250	4.9L L6 F/I - w/o Mass Air	57-2503 ¹	5.3 @ 3654
F350	5.8L V8 F/I	57-2503 ¹	5.3 @ 3654				
F350	7.5L V8 F/I	57-2503 ¹	5.3 @ 3654	F250	5.0L V8 F/I - w/o Mass Air	57-2503 ¹	5.3 @ 3654
Mustang	5.0L V8 F/I	57-2502 ¹	6.8 @ 4706				
1989 FORD				F350	4.9L L6 F/I - w/o Mass Air	57-2503 ¹	5.3 @ 3654
Bronco	4.9L L6 F/I - w/o Mass Air	57-2503 ¹	5.3 @ 3654				
				F350	5.8L V8 F/I - w/o Mass Air	57-2503 ¹	5.3 @ 3654

1) Street legal in all US states. 2) Not legal for sale or use on any pollution controlled motor vehicle in California or states adopting California emission procedures.

* Estimated horsepower gains are based on specific or similar vehicle dyno tests. Results will vary. See Page 478 for more information. Partial Listing - Complete List of Vehicles and Applications at knfilters.com. See page 5 for information on intake tube materials/colors.

FORD

AIR INTAKE SYSTEMS

Vehicle	Engine Type	Part Number	Estimated Horsepower*	Vehicle	Engine Type	Part Number	Estimated Horsepower*
1988 FORD				2015 GMC			
F350	7.5L V8 F/I - w/o Mass Air	57-2503 ¹	5.3 @ 3654	Yukon Denali XL	6.2L V8 F/I	77-3082KP ¹ 57-3082 ¹	10.2 @ 4996
Mustang	5.0L V8 F/I - w/o Mass Air	57-2501 ¹				63-3082 ² 71-3082 ¹	10.7 @ 5341 8.3 @ 5338
1987 FORD				Yukon XL	5.3L V8 F/I	57-3082 ¹ 71-3082 ¹	8.3 @ 5338
Mustang	5.0L V8 F/I	57-2501 ¹				77-3082KP ¹ 63-3082 ²	10.2 @ 4996 10.7 @ 5341
1986 FORD				2014 GMC			
Mustang	5.0L V8 F/I	57-2501 ¹		Sierra 1500	4.3L V6 F/I	63-3085 ² 77-3085KP ²	10.2 @ 5245 10.0 @ 5285
2016 GMC				Sierra 1500	5.3L V8 F/I	71-3082 ¹ 77-3082KP ¹	8.3 @ 5338 10.2 @ 4996
Canyon	3.6L V6 F/I	63-3088 ² 77-3088KP ² 71-3088 ²	19.4 @ 3551 10.3 @ 5823 15.7 @ 5823	Sierra 1500	6.2L V8 F/I	57-3082 ¹ 63-3082 ²	10.7 @ 5341 10.2 @ 4996
Sierra 1500	5.3L V8 F/I	63-3082 ² 71-3082 ² 77-3082KP ²	10.7 @ 5341 8.3 @ 5338 10.2 @ 4996	Sierra 1500	6.2L V8 F/I	57-3082 ¹ 63-3082 ²	10.7 @ 5341 10.7 @ 5341
Sierra 2500 HD	6.6L V8 DSL	63-3087 ² 77-3087KP ²	24.1 @ 2950 19.9 @ 2950	Sierra 1500	6.2L V8 F/I	71-3082 ¹ 77-3082KP ¹	8.3 @ 5338 10.2 @ 4996
Sierra 3500 HD	6.6L V8 DSL	63-3087 ² 77-3087KP ²	24.1 @ 2950 19.9 @ 2950	Sierra 2500 HD	6.6L V8 DSL	57-3077 ¹ 63-3077 ²	19.3 @ 2420 19.3 @ 2420
Terrain	2.4L L4 F/I	77-3071KS ²	9.3 @ 4600	Sierra 2500 HD	6.6L V8 DSL	77-3077KP ¹ 77-3077KP ¹	12.2 @ 2850 12.2 @ 2850
Yukon	5.3L V8 F/I	71-3082 ² 77-3082KP ² 63-3082 ²	8.3 @ 5338 10.2 @ 4996 10.7 @ 5341	Sierra 3500 HD	6.6L V8 DSL	57-3077 ¹ 63-3077 ²	19.3 @ 2420 19.3 @ 2420
Yukon Denali	6.2L V8 F/I	63-3082 ² 71-3082 ² 77-3082KP ²	10.7 @ 5341 8.3 @ 5338 10.2 @ 4996	Terrain	2.4L L4 F/I	77-3071KS ²	9.3 @ 4600
Yukon Denali XL	6.2L V8 F/I	63-3082 ² 71-3082 ² 77-3082KP ²	10.7 @ 5341 8.3 @ 5338 10.2 @ 4996	Yukon	5.3L V8 F/I	57-3070 ¹ 63-3070 ²	10.3 @ 5342 10.3 @ 5342
Yukon XL	5.3L V8 F/I	63-3082 ² 71-3082 ² 77-3082KP ²	10.7 @ 5341 8.3 @ 5338 10.2 @ 4996	Yukon Denali	6.2L V8 F/I	71-3070 ¹ 77-3070KP ¹	12.2 @ 5342 9.9 @ 5342
2015 GMC				Yukon Denali XL	6.2L V8 F/I	63-3070 ¹ 57-3070 ¹ 63-3070 ²	10.3 @ 5342 10.3 @ 5342 10.3 @ 5342
Canyon	3.6L V6 F/I	63-3088 ² 71-3088 ² 77-3088KP ²	19.4 @ 3551 15.7 @ 5823 10.3 @ 5823	Yukon XL 1500	5.3L V8 F/I	71-3070 ¹ 77-3070KP ¹	12.2 @ 5342 9.9 @ 5342
Sierra 1500	5.3L V8 F/I	63-3082 ² 71-3082 ² 77-3082KP ²	10.7 @ 5341 8.3 @ 5338 10.2 @ 4996			57-3070 ¹ 63-3070 ²	10.3 @ 5342 10.3 @ 5342
Sierra 1500	6.2L V8 F/I	63-3082 ² 71-3082 ² 77-3082KP ²	10.7 @ 5341 8.3 @ 5338 10.2 @ 4996	2013 GMC			
Sierra 2500 HD	6.0L V8 F/I	77-3086KTK ²	9.5 @ 4950	Sierra 1500	4.8L V8 F/I	57-3070 ¹ 63-3070 ²	10.3 @ 5342 10.3 @ 5342
Sierra 2500 HD	6.6L V8 DSL	63-3087 ² 77-3087KP ²	24.1 @ 2950 19.9 @ 2950			71-3070 ¹ 77-3070KP ¹	12.2 @ 5342 9.9 @ 5342
Sierra 3500 HD	6.0L V8 F/I	77-3086KTK ²	9.5 @ 4950	Sierra 1500	5.3L V8 F/I	57-3070 ¹ 63-3070 ²	10.3 @ 5342 10.3 @ 5342
Sierra 3500 HD	6.6L V8 DSL	63-3087 ² 77-3087KP ²	24.1 @ 2950 19.9 @ 2950	Sierra 1500	6.2L V8 F/I	71-3070 ¹ 77-3070KP ¹	12.2 @ 5342 9.9 @ 5342
Yukon	5.3L V8 F/I	63-3082 ² 57-3082 ¹ 71-3082 ¹	10.7 @ 5341 8.3 @ 5338 8.3 @ 5338	Sierra 1500	6.2L V8 F/I	57-3070 ¹ 63-3070 ²	10.3 @ 5342 10.3 @ 5342
Yukon Denali	6.2L V8 F/I	77-3082KP ¹ 63-3082 ² 57-3082 ¹	10.2 @ 4996 10.7 @ 5341 8.3 @ 5338	Sierra 2500 HD	6.6L V8 DSL	77-3070KP ¹ 57-3077 ¹	9.9 @ 5342 19.3 @ 2420
		71-3082 ¹ 77-3082KP ¹	8.3 @ 5338 10.2 @ 4996				

1) Street legal in all US states. 2) Not legal for sale or use on any pollution controlled motor vehicle in California or states adopting California emission procedures.

* Estimated horsepower gains are based on specific or similar vehicle dyno tests. Results will vary. See Page 478 for more information. Partial Listing - Complete List of Vehicles and Applications at knfilters.com. See page 5 for information on intake tube materials/colors.

AIR INTAKE SYSTEMS

GMC

Vehicle	Engine Type	Part Number	Estimated Horsepower*	Vehicle	Engine Type	Part Number	Estimated Horsepower*
2013 GMC				2012 GMC			
Sierra 2500 HD	6.6L V8 DSL	63-3077 ²	19.3 @ 2420	Terrain	3.0L V6 F/I	77-3078KTK ¹	6.5 @ 4900
		77-3077KP ¹	12.2 @ 2850	Yukon	5.3L V8 F/I	57-3070 ¹	10.3 @ 5342
Sierra 3500 HD	6.6L V8 DSL	57-3077 ¹	19.3 @ 2420			63-3070 ²	10.3 @ 5342
		63-3077 ²	19.3 @ 2420			71-3070 ¹	12.2 @ 5342
		77-3077KP ¹	12.2 @ 2850			77-3070KP ¹	9.9 @ 5342
Sierra Denali	6.2L V8 F/I	57-3070 ¹	10.3 @ 5342	Yukon Denali	6.2L V8 F/I	57-3070 ¹	10.3 @ 5342
		63-3070 ²	10.3 @ 5342			63-3070 ²	10.3 @ 5342
		71-3070 ¹	12.2 @ 5342			71-3070 ¹	12.2 @ 5342
		77-3070KP ¹	9.9 @ 5342			77-3070KP ¹	9.9 @ 5342
Terrain	2.4L L4 F/I	77-3071KS ²	9.3 @ 4600	Yukon Denali XL	6.2L V8 F/I	57-3070 ¹	10.3 @ 5342
Yukon	5.3L V8 F/I	57-3070 ¹	10.3 @ 5342			63-3070 ²	10.3 @ 5342
		63-3070 ²	10.3 @ 5342			71-3070 ¹	12.2 @ 5342
		71-3070 ¹	12.2 @ 5342			77-3070KP ¹	9.9 @ 5342
		77-3070KP ¹	9.9 @ 5342	Yukon XL 1500	5.3L V8 F/I	57-3070 ¹	10.3 @ 5342
Yukon Denali	6.2L V8 F/I	57-3070 ¹	10.3 @ 5342			63-3070 ²	10.3 @ 5342
		63-3070 ²	10.3 @ 5342			71-3070 ¹	12.2 @ 5342
		71-3070 ¹	12.2 @ 5342			77-3070KP ¹	9.9 @ 5342
		77-3070KP ¹	9.9 @ 5342	2011 GMC			
Yukon Denali XL	6.2L V8 F/I	57-3070 ¹	10.3 @ 5342	Canyon	2.9L L4 F/I	63-3064-1 ²	9.0 @ 4862
		63-3070 ²	10.3 @ 5342	Canyon	3.7L L5 F/I	63-3065 ²	11.0 @ 4754
		71-3070 ¹	12.2 @ 5342			77-3065KP ²	7.2 @ 4533
		77-3070KP ¹	9.9 @ 5342	Sierra 1500	4.8L V8 F/I	57-3070 ¹	10.3 @ 5342
Yukon XL 1500	5.3L V8 F/I	57-3070 ¹	10.3 @ 5342			63-3070 ²	10.3 @ 5342
		63-3070 ²	10.3 @ 5342			71-3070 ¹	12.2 @ 5342
		71-3070 ¹	12.2 @ 5342			77-3070KP ¹	9.9 @ 5342
		77-3070KP ¹	9.9 @ 5342	Sierra 1500	5.3L V8 F/I	57-3070 ¹	12.8 @ 5342
Yukon XL 1500	6.2L V8 F/I	77-3070KP ¹	9.9 @ 5342			63-3070 ²	12.8 @ 5342
						71-3070 ¹	12.2 @ 5342
						77-3070KP ¹	9.9 @ 5342
2012 GMC				Sierra 1500	6.2L V8 F/I	57-3070 ¹	10.3 @ 5342
Canyon	2.9L L4 F/I	63-3064-1 ²	9.0 @ 4862			63-3070 ²	10.3 @ 5342
Canyon	3.7L L5 F/I	63-3065 ²	11.0 @ 4754			71-3070 ¹	12.2 @ 5342
		77-3065KP ²	7.2 @ 4533	Sierra 2500 HD	6.0L V8 F/I	77-3076KTK ¹	10.2 @ 5033
Sierra 1500	4.8L V8 F/I	57-3070 ¹	10.3 @ 5342	Sierra 2500 HD	6.6L V8 DSL	57-3077 ¹	19.3 @ 2420
		63-3070 ²	10.3 @ 5342			63-3077 ²	19.3 @ 2420
		71-3070 ¹	12.2 @ 5342			77-3077KP ¹	12.2 @ 2850
		77-3070KP ¹	9.9 @ 5342	Sierra 3500 HD	6.0L V8 F/I	77-3076KTK ¹	10.2 @ 5033
Sierra 1500	5.3L V8 F/I	57-3070 ¹	10.3 @ 5342	Sierra 3500 HD	6.6L V8 DSL	57-3077 ¹	19.3 @ 2420
		63-3070 ²	10.3 @ 5342			63-3077 ²	19.3 @ 2420
		71-3070 ¹	12.2 @ 5342			77-3077KP ¹	12.2 @ 2850
		77-3070KP ¹	9.9 @ 5342	Sierra Denali	6.2L V8 F/I	57-3070 ¹	10.3 @ 5342
Sierra 1500	6.2L V8 F/I	57-3070 ¹	10.3 @ 5342			63-3070 ²	10.3 @ 5342
		63-3070 ²	10.3 @ 5342			71-3070 ¹	12.2 @ 5342
		71-3070 ¹	12.2 @ 5342			77-3070KP ¹	9.9 @ 5342
		77-3070KP ¹	9.9 @ 5342	Sierra 2500 HD	6.0L V8 F/I	77-3076KTK ¹	10.2 @ 5033
Sierra 2500 HD	6.0L V8 F/I	77-3076KTK ¹	10.2 @ 5033	Sierra 2500 HD	6.6L V8 DSL	57-3077 ¹	19.3 @ 2420
Sierra 2500 HD	6.6L V8 DSL	57-3077 ¹	19.3 @ 2420			63-3077 ²	19.3 @ 2420
		63-3077 ²	19.3 @ 2420	Terrain	2.4L L4 F/I	77-3071KS ²	9.3 @ 4600
		77-3077KP ¹	12.2 @ 2850	Terrain	3.0L V6 F/I	77-3078KTK ¹	6.5 @ 4900
Sierra 3500 HD	6.0L V8 F/I	77-3076KTK ¹	10.2 @ 5033	Yukon	4.8L V8 F/I	63-3070 ²	10.3 @ 5342
Sierra 3500 HD	6.6L V8 DSL	57-3077 ¹	19.3 @ 2420			71-3070 ¹	12.2 @ 5342
		63-3077 ²	19.3 @ 2420			77-3070KP ¹	9.9 @ 5342
		77-3077KP ¹	12.2 @ 2850	Yukon	5.3L V8 F/I	57-3070 ¹	10.3 @ 5342
Sierra Denali	6.2L V8 F/I	57-3070 ¹	10.3 @ 5342			63-3070 ²	10.3 @ 5342
		63-3070 ²	10.3 @ 5342			71-3070 ¹	12.2 @ 5342
		71-3070 ¹	12.2 @ 5342			77-3070KP ¹	9.9 @ 5342
		77-3070KP ¹	9.9 @ 5342	Yukon	6.2L V8 F/I	57-3070 ¹	10.3 @ 5342
Terrain	2.4L L4 F/I	77-3071KS ²	9.3 @ 4600			63-3070 ²	10.3 @ 5342

1) Street legal in all US states. 2) Not legal for sale or use on any pollution controlled motor vehicle in California or states adopting California emission procedures.

* Estimated horsepower gains are based on specific or similar vehicle dyno tests. Results will vary. See Page 478 for more information. Partial Listing - Complete List of Vehicles and Applications at knfilters.com. See page 5 for information on intake tube materials/colors.

GMC

AIR INTAKE SYSTEMS

Vehicle	Engine Type	Part Number	Estimated Horsepower*	Vehicle	Engine Type	Part Number	Estimated Horsepower*
2011 GMC				2010 GMC			
Yukon	6.2L V8 F/I	71-3070 ¹	12.2 @ 5342	Yukon Denali	6.2L V8 F/I	71-3070 ¹	12.2 @ 5342
		77-3070KP ¹	9.9 @ 5342			63-3070 ²	10.3 @ 5342
Yukon Denali	6.2L V8 F/I	57-3070 ¹	10.3 @ 5342	Yukon Denali XL	6.2L V8 F/I	57-3070 ¹	10.3 @ 5342
		63-3070 ²	10.3 @ 5342			77-3070KP ¹	9.9 @ 5342
		71-3070 ¹	12.2 @ 5342			71-3070 ¹	12.2 @ 5342
		77-3070KP ¹	9.9 @ 5342			63-3070 ²	10.3 @ 5342
Yukon Denali XL	6.2L V8 F/I	57-3070 ¹	10.3 @ 5342	Yukon XL 1500	5.3L V8 F/I	57-3070 ¹	10.3 @ 5342
		63-3070 ²	10.3 @ 5342			77-3070KP ¹	9.9 @ 5342
		71-3070 ¹	12.2 @ 5342			71-3070 ¹	12.2 @ 5342
		77-3070KP ¹	9.9 @ 5342			63-3070 ²	10.3 @ 5342
Yukon XL 1500	5.3L V8 F/I	57-3070 ¹	10.3 @ 5342	Yukon XL 1500	6.2L V8 F/I	77-3070KP ¹	9.9 @ 5342
		63-3070 ²	10.3 @ 5342			71-3070 ¹	12.2 @ 5342
		71-3070 ¹	12.2 @ 5342			63-3070 ²	10.3 @ 5342
		77-3070KP ¹	9.9 @ 5342			57-3070 ¹	10.3 @ 5342
Yukon XL 1500	6.2L V8 F/I	57-3070 ¹	10.3 @ 5342	2009 GMC			
		63-3070 ²	10.3 @ 5342	Canyon	2.9L L4 F/I	63-3064-1 ²	9.0 @ 4862
		71-3070 ¹	12.2 @ 5342	Canyon	3.7L L5 F/I	77-3065KP ²	7.2 @ 4533
		77-3070KP ¹	9.9 @ 5342			63-3065 ²	11.0 @ 4754
2010 GMC				Envoy	4.2L L6 F/I	77-3062KP ²	9.3 @ 4850
Canyon	2.9L L4 F/I	63-3064-1 ²	9.0 @ 4862			63-3062 ²	9.5 @ 4725
Canyon	3.7L L5 F/I	77-3065KP ²	7.2 @ 4533	Sierra 1500	4.8L V8 F/I	77-3070KP ¹	9.9 @ 5342
		63-3065 ²	11.0 @ 4754			71-3070 ¹	12.2 @ 5342
Sierra 1500	4.8L V8 F/I	57-3070 ¹	10.3 @ 5342			63-3070 ²	10.3 @ 5342
		77-3070KP ¹	9.9 @ 5342			57-3070 ¹	10.3 @ 5342
		71-3070 ¹	12.2 @ 5342	Sierra 1500	5.3L V8 F/I	63-3070 ²	10.3 @ 5342
		63-3070 ²	10.3 @ 5342			77-3070KP ¹	9.9 @ 5342
Sierra 1500	5.3L V8 F/I	57-3070 ¹	10.3 @ 5342			71-3070 ¹	12.2 @ 5342
		77-3070KP ¹	9.9 @ 5342			57-3070 ¹	10.3 @ 5342
		71-3070 ¹	12.2 @ 5342	Sierra 1500	6.0L V8 F/I	77-3070KP ¹	9.9 @ 5342
		63-3070 ²	10.3 @ 5342			71-3070 ¹	12.2 @ 5342
Sierra 1500	6.2L V8 F/I	57-3070 ¹	10.3 @ 5342			63-3070 ²	10.3 @ 5342
		77-3070KP ¹	9.9 @ 5342			57-3070 ¹	10.3 @ 5342
		71-3070 ¹	12.2 @ 5342	Sierra 1500	6.2L V8 F/I	63-3070 ²	10.3 @ 5342
		63-3070 ²	10.3 @ 5342			77-3070KP ¹	9.9 @ 5342
Sierra 2500 HD	6.0L V8 F/I	63-3076 ²				71-3070 ¹	12.2 @ 5342
		57-3076 ¹				57-3070 ¹	10.3 @ 5342
Sierra 2500 HD	6.6L V8 DSL	71-3066 ¹	12.5 @ 2638	Sierra 2500 HD	6.0L V8 F/I	63-3076 ²	
		57-3066 ¹	19.7 @ 2900			57-3076 ¹	
Sierra 3500 HD	6.0L V8 F/I	57-3076 ¹		Sierra 2500 HD	6.6L V8 DSL	57-3066 ¹	19.7 @ 2900
Sierra 3500 HD	6.6L V8 DSL	71-3066 ¹	12.5 @ 2638			71-3066 ¹	12.5 @ 2638
		57-3066 ¹	19.7 @ 2900	Sierra 3500 HD	6.0L V8 F/I	63-3076 ²	
Sierra Denali	6.2L V8 F/I	77-3070KP ¹	9.9 @ 5342			57-3076 ¹	
		71-3070 ¹	12.2 @ 5342	Sierra 3500 HD	6.6L V8 DSL	71-3066 ¹	12.5 @ 2638
		63-3070 ²	10.3 @ 5342			57-3066 ¹	19.7 @ 2900
		57-3070 ¹	10.3 @ 5342	Sierra Denali	6.2L V8 F/I	77-3070KP ¹	9.9 @ 5342
Terrain	2.4L L4 F/I	77-3071KS ¹	9.3 @ 4600			71-3070 ¹	12.2 @ 5342
Terrain	3.0L V6 F/I	77-3078KTK ¹	6.5 @ 4900			63-3070 ²	10.3 @ 5342
Yukon	4.8L V8 F/I	63-3070 ²	10.3 @ 5342			57-3070 ¹	10.3 @ 5342
		77-3070KP ¹	9.9 @ 5342	Yukon	4.8L V8 F/I	63-3070 ²	10.3 @ 5342
		71-3070 ¹	12.2 @ 5342			77-3070KP ¹	9.9 @ 5342
Yukon	5.3L V8 F/I	77-3070KP ¹	9.9 @ 5342			71-3070 ¹	12.2 @ 5342
		71-3070 ¹	12.2 @ 5342	Yukon	5.3L V8 F/I	57-3070 ¹	10.3 @ 5342
		63-3070 ²	10.3 @ 5342			77-3070KP ¹	9.9 @ 5342
		57-3070 ¹	10.3 @ 5342			71-3070 ¹	12.2 @ 5342
Yukon Denali	6.2L V8 F/I	57-3070 ¹	10.3 @ 5342	Yukon Denali	6.2L V8 F/I	63-3070 ²	10.3 @ 5342
		77-3070KP ¹	9.9 @ 5342			77-3070KP ¹	9.9 @ 5342

1) Street legal in all US states. 2) Not legal for sale or use on any pollution controlled motor vehicle in California or states adopting California emission procedures.

* Estimated horsepower gains are based on specific or similar vehicle dyno tests. Results will vary. See Page 478 for more information. Partial Listing - Complete List of Vehicles and Applications at knfilters.com. See page 5 for information on intake tube materials/colors.

AIR INTAKE SYSTEMS

GMC

Vehicle	Engine Type	Part Number	Estimated Horsepower*	Vehicle	Engine Type	Part Number	Estimated Horsepower*
2009 GMC				2008 GMC			
Yukon Denali	6.2L V8 F/I	71-3070 ¹	12.2 @ 5342	Yukon XL 1500	6.0L V8 F/I	77-3058KP ¹	12.5 @ 4917
		63-3070 ²	10.3 @ 5342			57-3058 ¹	17.6 @ 4917
		57-3070 ¹	10.3 @ 5342			71-3058 ¹	10.2 @ 4900
Yukon Denali XL	6.2L V8 F/I	77-3070KP ¹	9.9 @ 5342	Yukon XL 1500 Denali	6.2L V8 F/I	77-3058KP ¹	12.5 @ 4917
		71-3070 ¹	12.2 @ 5342			71-3058 ¹	10.2 @ 4900
		63-3070 ²	10.3 @ 5342			57-3058 ¹	17.6 @ 4917
Yukon XL 1500	5.3L V8 F/I	57-3070 ¹	10.3 @ 5342	2007 GMC			
		77-3070KP ¹	9.9 @ 5342	Canyon	2.9L L4 F/I	63-3064-1 ²	9.0 @ 4862
		71-3070 ¹	12.2 @ 5342			Canyon	3.7L L5 F/I
Yukon XL 1500	6.0L V8 F/I	63-3070 ²	10.3 @ 5342	Canyon		63-3065 ²	11.0 @ 4754
		77-3070KP ¹	9.9 @ 5342	Envoy	4.2L L6 F/I	77-3062KP ²	9.3 @ 4850
		71-3070 ¹	12.2 @ 5342			63-3062 ²	9.5 @ 4725
Yukon XL 1500	6.2L V8 F/I	63-3070 ²	10.3 @ 5342	Sierra 1500	4.8L V8 F/I	77-3058KP ¹	12.5 @ 4917
		77-3070KP ¹	9.9 @ 5342			71-3058 ¹	10.2 @ 4900
		71-3070 ¹	12.2 @ 5342			57-3058 ¹	17.6 @ 4917
Yukon XL 1500	6.2L V8 F/I	57-3070 ¹	10.3 @ 5342	Sierra 1500	5.3L V8 F/I	77-3058KP ¹	12.5 @ 4917
				Sierra 1500		71-3058 ¹	10.2 @ 4900
				Sierra 1500		57-3058 ¹	17.6 @ 4917
2008 GMC				Sierra 1500	6.0L V8 F/I	77-3058KP ¹	10.7 @ 4900
Canyon	2.9L L4 F/I	63-3064-1 ²	9.0 @ 4862			71-3058 ¹	10.2 @ 4900
Canyon	3.7L L5 F/I	77-3065KP ²	7.2 @ 4533			57-3058 ¹	17.6 @ 4917
Envoy	4.2L L6 F/I	63-3065 ²	11.0 @ 4754	Sierra 1500 Classic	4.3L V6 F/I	77-3058KP ¹	10.7 @ 4900
		77-3062KP ²	9.3 @ 4850			71-3058 ¹	10.2 @ 4900
		63-3062 ²	9.5 @ 4725			57-3058 ¹	17.6 @ 4917
Sierra 1500	4.8L V8 F/I	71-3058 ¹	10.2 @ 4900	Sierra 1500 Classic	4.8L V8 F/I	77-3050KP ¹	8.4 @ 5336
		77-3058KP ¹	12.5 @ 4917	Sierra 1500 Classic	5.3L V8 F/I	77-3050KP ¹	11.9 @ 5367
		57-3058 ¹	17.6 @ 4917	Sierra 1500 Classic	5.3L V8 F/I	57-3050 ¹	11.9 @ 5367
Sierra 1500	5.3L V8 F/I	77-3058KP ¹	12.5 @ 4917	Sierra 1500 HD Classic	6.0L V8 F/I	77-3023KP ¹	8.2 @ 5067
		71-3058 ¹	10.2 @ 4900			57-3023-1 ¹	14.3 @ 5018
		57-3058 ¹	17.6 @ 4917	Sierra 2500 HD	6.0L V8 F/I	63-3067 ²	11.4 @ 4500
Sierra 1500	6.0L V8 F/I	77-3058KP ¹	12.5 @ 4917	Sierra 2500 HD	6.0L V8 F/I	57-3067 ¹	11.4 @ 4500
		71-3058 ¹	10.2 @ 4900	Sierra 2500 HD	6.6L V8 DSL	71-3066 ¹	12.5 @ 2638
		57-3058 ¹	17.6 @ 4917	Sierra 2500 HD Classic	6.0L V8 F/I	57-3066 ¹	19.7 @ 2900
Sierra 2500 HD	6.0L V8 F/I	63-3067 ²	11.4 @ 4500	Sierra 2500 HD Classic	6.0L V8 F/I	77-3031KP ¹	17.4 @ 5024
		57-3067 ¹	11.4 @ 4500	Sierra 2500 HD Classic	6.6L V8 DSL	57-3031-1 ¹	20.3 @ 4894
		57-3067 ¹	11.4 @ 4500	Sierra 2500 HD Classic	6.6L V8 DSL	57-3057 ¹	22.1 @ 2860
Sierra 2500 HD	6.6L V8 DSL	71-3066 ¹	12.5 @ 2638	Sierra 2500 HD Classic	6.6L V8 DSL	57-3000 ¹	15.4 @ 2911
		57-3066 ¹	19.7 @ 2900	Sierra 2500 HD Classic	6.6L V8 DSL	57-3030-1 ¹	17.3 @ 4559
		63-3067 ²	11.4 @ 4500	Sierra 3500 Classic	6.0L V8 F/I	77-3031KP ¹	17.4 @ 5024
Sierra 3500 HD	6.0L V8 F/I	57-3067 ¹	11.4 @ 4500	Sierra 3500 Classic	6.0L V8 F/I	57-3031-1 ¹	20.3 @ 4894
		71-3066 ¹	12.5 @ 2638	Sierra 3500 Classic	6.6L V8 DSL	57-3057 ¹	22.1 @ 2860
		57-3066 ¹	19.7 @ 2900	Sierra 3500 Classic	6.6L V8 DSL	57-3000 ¹	15.4 @ 2911
Sierra 3500 HD	6.6L V8 DSL	63-3067 ²	11.4 @ 4500	Sierra 3500 Classic	8.1L V8 F/I	57-3030-1 ¹	17.3 @ 4559
		57-3067 ¹	11.4 @ 4500	Sierra 3500 HD	6.0L V8 F/I	63-3067 ²	11.4 @ 4500
		71-3066 ¹	12.5 @ 2638	Sierra 3500 HD	6.0L V8 F/I	57-3067 ¹	11.4 @ 4500
Sierra 3500 HD	6.6L V8 DSL	57-3066 ¹	19.7 @ 2900	Sierra 3500 HD	6.6L V8 DSL	71-3066 ¹	12.5 @ 2638
		63-3067 ²	11.4 @ 4500	Sierra 3500 HD	6.6L V8 DSL	57-3066 ¹	19.7 @ 2900
		57-3067 ¹	11.4 @ 4500	Sierra Denali	6.2L V8 F/I	77-3058KP ¹	12.5 @ 4917
Sierra Denali	6.2L V8 F/I	71-3066 ¹	12.5 @ 2638	Sierra Denali	6.2L V8 F/I	71-3058 ¹	10.2 @ 4900
		57-3066 ¹	19.7 @ 2900	Sierra Denali	6.2L V8 F/I	57-3058 ¹	17.6 @ 4917
		77-3058KP ¹	12.5 @ 4917	Sierra Denali	6.2L V8 F/I	77-3058KP ¹	12.5 @ 4917
Yukon	4.8L V8 F/I	71-3058 ¹	10.2 @ 4900	Sierra 2500 HD Classic	8.1L V8 F/I	57-3030-1 ¹	17.3 @ 4559
		57-3058 ¹	17.6 @ 4917	Sierra 3500 Classic	6.0L V8 F/I	77-3031KP ¹	17.4 @ 5024
		77-3058KP ¹	12.5 @ 4917	Sierra 3500 Classic	6.0L V8 F/I	57-3031-1 ¹	20.3 @ 4894
Yukon	5.3L V8 F/I	71-3058 ¹	10.2 @ 4900	Sierra 3500 Classic	6.6L V8 DSL	57-3057 ¹	22.1 @ 2860
		57-3058 ¹	17.6 @ 4917	Sierra 3500 Classic	6.6L V8 DSL	57-3000 ¹	15.4 @ 2911
		77-3058KP ¹	12.5 @ 4917	Sierra 3500 Classic	8.1L V8 F/I	57-3030-1 ¹	17.3 @ 4559
Yukon Denali	6.2L V8 F/I	71-3058 ¹	10.2 @ 4900	Sierra 3500 HD	6.0L V8 F/I	63-3067 ²	11.4 @ 4500
		57-3058 ¹	17.6 @ 4917	Sierra 3500 HD	6.0L V8 F/I	57-3067 ¹	11.4 @ 4500
		77-3058KP ¹	12.5 @ 4917	Sierra 3500 HD	6.6L V8 DSL	71-3066 ¹	12.5 @ 2638
Yukon XL 1500	5.3L V8 F/I	71-3058 ¹	10.2 @ 4900	Sierra 3500 HD	6.6L V8 DSL	57-3066 ¹	19.7 @ 2900
		57-3058 ¹	17.6 @ 4917	Sierra Denali	6.2L V8 F/I	77-3058KP ¹	12.5 @ 4917
		77-3058KP ¹	12.5 @ 4917				

1) Street legal in all US states. 2) Not legal for sale or use on any pollution controlled motor vehicle in California or states adopting California emission procedures.

* Estimated horsepower gains are based on specific or similar vehicle dyno tests. Results will vary. See Page 478 for more information. Partial Listing - Complete List of Vehicles and Applications at knfilters.com. See page 5 for information on intake tube materials/colors.

GMC

AIR INTAKE SYSTEMS

Vehicle	Engine Type	Part Number	Estimated Horsepower*	Vehicle	Engine Type	Part Number	Estimated Horsepower*
2007 GMC				2006 GMC			
Sierra Denali	6.2L V8 F/I	71-3058 ¹	10.2 @ 4900	Yukon	5.3L V8 F/I	77-3050KP ¹	8.4 @ 5336
		57-3058 ¹	17.6 @ 4917			57-3050 ¹	11.9 @ 5367
Sierra Denali Classic	6.0L V8 F/I	77-3050KP ¹	8.4 @ 5336	Yukon Denali	6.0L V8 F/I	77-3050KP ¹	8.4 @ 5336
		57-3050 ¹	11.9 @ 5367			57-3050 ¹	11.9 @ 5367
Yukon	4.8L V8 F/I	77-3058KP ¹	12.5 @ 4917	Yukon Denali XL	6.0L V8 F/I	77-3050KP ¹	8.4 @ 5336
		71-3058 ¹	10.2 @ 4900			57-3050 ¹	11.9 @ 5367
		57-3058 ¹	17.6 @ 4917	Yukon XL 1500	5.3L V8 F/I	77-3050KP ¹	8.4 @ 5336
Yukon	5.3L V8 F/I	77-3058KP ¹	12.5 @ 4917			57-3050 ¹	11.9 @ 5367
		71-3058 ¹	10.2 @ 4900	Yukon XL 2500	6.0L V8 F/I	77-3023KP ¹	8.2 @ 5067
		57-3058 ¹	17.6 @ 4917			57-3023-1 ¹	14.3 @ 5018
Yukon Denali	6.2L V8 F/I	77-3058KP ¹	12.5 @ 4917	Yukon XL 2500	8.1L V8 F/I	57-3032 ¹	13.0 @ 4231
		57-3058 ¹	17.6 @ 4917				
		71-3058 ¹	10.2 @ 4900	2005 GMC			
		57-3058 ¹	17.6 @ 4917	Canyon	2.8L L4 F/I	57-3051 ¹	11.5 @ 5863
Yukon XL 1500	5.3L V8 F/I	77-3058KP ¹	12.5 @ 4917	Canyon	3.5L L5 F/I	77-3043KP ¹	9.2 @ 6057
		71-3058 ¹	10.2 @ 4900			57-3043 ¹	18.6 @ 6001
		57-3058 ¹	17.6 @ 4917	Envoy	4.2L L6 F/I	77-3036KP ¹	10.9 @ 5474
Yukon XL 1500	6.0L V8 F/I	77-3058KP ¹	12.5 @ 4917			57-3036 ¹	9.3 @ 5623
		71-3058 ¹	10.2 @ 4900	Sierra 1500	4.3L V6 F/I	57-3038 ¹	8.2 @ 4544
		57-3058 ¹	17.6 @ 4917	Sierra 1500	4.8L V8 F/I	77-3050KP ¹	8.4 @ 5336
Yukon XL 1500 Denali	6.2L V8 F/I	77-3058KP ¹	12.5 @ 4917			57-3050 ¹	11.9 @ 5367
		71-3058 ¹	10.2 @ 4900	Sierra 1500	5.3L V8 F/I	77-3050KP ¹	8.4 @ 5336
		57-3058 ¹	17.6 @ 4917			57-3050 ¹	11.9 @ 5367
Yukon XL 2500	6.0L V8 F/I	57-3063 ¹	11.6 @ 5075	Sierra 1500	6.0L V8 F/I	77-3050KP ¹	8.4 @ 5336
						57-3050 ¹	11.9 @ 5367
2006 GMC				Sierra 1500 HD	6.0L V8 F/I	77-3023KP ¹	8.2 @ 5067
Canyon	2.8L L4 F/I	57-3051 ¹	11.5 @ 5863			57-3023-1 ¹	14.3 @ 5018
Canyon	3.5L L5 F/I	77-3043KP ¹	9.2 @ 6057	Sierra 1500 HD	6.0L V8 F/I	77-3031KP ¹	17.4 @ 5024
		57-3043 ¹	18.6 @ 6001			57-3031-1 ¹	20.3 @ 4894
Envoy	4.2L L6 F/I	77-3062KP ¹	9.3 @ 4850	Sierra 2500 HD	6.0L V8 F/I	77-3031KP ¹	17.4 @ 5024
		57-3062 ¹	9.5 @ 4725			57-3031-1 ¹	20.3 @ 4894
Sierra 1500	4.3L V6 F/I	57-3038 ¹	8.2 @ 4544	Sierra 2500 HD	6.6L V8 DSL - w/Panel Filter	77-3047KP ¹	20.1 @ 3158
Sierra 1500	4.8L V8 F/I	77-3050KP ¹	8.4 @ 5336			57-3047 ¹	20.1 @ 3157
		57-3050 ¹	11.9 @ 5367	Sierra 2500 HD	6.6L V8 DSL - w/Round Filter	57-3057 ¹	22.1 @ 2860
Sierra 1500	5.3L V8 F/I	77-3050KP ¹	8.4 @ 5336			57-3000 ¹	15.4 @ 2911
		57-3050 ¹	11.9 @ 5367	Sierra 2500 HD	8.1L V8 F/I	57-3030-1 ¹	17.3 @ 4559
Sierra 1500	6.0L V8 F/I	77-3050KP ¹	8.4 @ 5336	Sierra 2500 HD	6.0L V8 F/I	77-3031KP ¹	17.4 @ 5024
		57-3050 ¹	11.9 @ 5367	Sierra 3500	6.0L V8 F/I	57-3031-1 ¹	20.3 @ 4894
Sierra 1500 HD	6.0L V8 F/I	77-3023KP ¹	8.2 @ 5067	Sierra 3500	6.6L V8 DSL - w/Panel Filter	77-3047KP ¹	20.1 @ 3158
		57-3023-1 ¹	14.3 @ 5018			57-3047 ¹	20.1 @ 3157
Sierra 2500 HD	6.0L V8 F/I	77-3031KP ¹	17.4 @ 5024	Sierra 3500	6.6L V8 DSL - w/Round Filter	57-3057 ¹	22.1 @ 2860
		57-3031-1 ¹	20.3 @ 4894			57-3000 ¹	15.4 @ 2911
Sierra 2500 HD	6.6L V8 DSL	57-3057 ¹	22.1 @ 2860	Sierra 3500	8.1L V8 F/I	57-3030-1 ¹	17.3 @ 4559
		57-3000 ¹	15.4 @ 2911	Sierra Denali	6.0L V8 F/I	77-3050KP ¹	8.4 @ 5336
Sierra 2500 HD	8.1L V8 F/I	57-3030-1 ¹	17.3 @ 4559			57-3050 ¹	11.9 @ 5367
Sierra 3500	6.0L V8 F/I	77-3031KP ¹	17.4 @ 5024	Yukon	4.8L V8 F/I	77-3050KP ¹	8.4 @ 5336
		57-3031-1 ¹	20.3 @ 4894			57-3050 ¹	11.9 @ 5367
Sierra 3500	6.6L V8 DSL	57-3057 ¹	22.1 @ 2860	Yukon	5.3L V8 F/I	77-3050KP ¹	8.4 @ 5336
		57-3000 ¹	15.4 @ 2911			57-3050 ¹	11.9 @ 5367
Sierra 3500	8.1L V8 F/I	57-3030-1 ¹	17.3 @ 4559	Yukon Denali	6.0L V8 F/I	77-3050KP ¹	8.4 @ 5336
Sierra Denali	6.0L V8 F/I	77-3050KP ¹	8.4 @ 5336			57-3050 ¹	11.9 @ 5367
		57-3050 ¹	11.9 @ 5367	Yukon Denali XL	6.0L V8 F/I	77-3050KP ¹	8.4 @ 5336
Yukon	4.8L V8 F/I	77-3050KP ¹	8.4 @ 5336			57-3050 ¹	11.9 @ 5367
		57-3050 ¹	11.9 @ 5367	Yukon XL 1500	5.3L V8 F/I	77-3050KP ¹	8.4 @ 5336

1) Street legal in all US states. 2) Not legal for sale or use on any pollution controlled motor vehicle in California or states adopting California emission procedures.

* Estimated horsepower gains are based on specific or similar vehicle dyno tests. Results will vary. See Page 478 for more information. Partial Listing - Complete List of Vehicles and Applications at knfilters.com. See page 5 for information on intake tube materials/colors.

AIR INTAKE SYSTEMS

GMC

Vehicle	Engine Type	Part Number	Estimated Horsepower*	Vehicle	Engine Type	Part Number	Estimated Horsepower*
2005 GMC				2003 GMC			
Yukon XL 1500	5.3L V8 F/I	57-3050 ¹	11.9 @ 5367	Sierra 1500	5.3L V8 F/I	57-3021-1 ¹	9.1 @ 5352
Yukon XL 2500	6.0L V8 F/I	77-3023KP ¹	8.2 @ 5067	Sierra 1500 HD	6.0L V8 F/I	77-3023KP ¹	8.2 @ 5067
		57-3023-1 ¹	14.3 @ 5018			57-3023-1 ¹	14.3 @ 5018
Yukon XL 2500	8.1L V8 F/I	57-3032 ¹	13.0 @ 4231	Sierra 2500	6.0L V8 F/I	77-3023KP ¹	8.2 @ 5067
2004 GMC						57-3023-1 ¹	14.3 @ 5018
Canyon	2.8L L4 F/I	57-3051 ¹	11.5 @ 5863	Sierra 2500 HD	6.0L V8 F/I	77-3031KP ¹	17.4 @ 5024
Canyon	3.5L L5 F/I	77-3043KP ¹	9.2 @ 6057			57-3031-1 ¹	20.3 @ 4894
		57-3043 ¹	18.6 @ 6001	Sierra 2500 HD	6.6L V8 DSL	77-3034KP ¹	12.6 @ 3246
Envoy	4.2L L6 F/I	77-3036KP ¹	10.9 @ 5474			57-3034 ¹	16.3 @ 2750
		57-3036 ¹	9.3 @ 5623	Sierra 2500 HD	8.1L V8 F/I	57-3030-1 ¹	17.3 @ 4559
Envoy	5.3L V8 F/I	57-3048 ¹	19.3 @ 5133	Sierra 3500	6.0L V8 F/I	77-3031KP ¹	17.4 @ 5024
Sierra 1500	4.3L V6 F/I	57-3038 ¹	8.2 @ 4544			57-3031-1 ¹	20.3 @ 4894
Sierra 1500	4.8L V8 F/I	77-3021KP ¹	8.2 @ 5067	Sierra 3500	6.6L V8 DSL	77-3034KP ¹	12.6 @ 3246
		57-3021-1 ¹	9.1 @ 5352			57-3034 ¹	16.3 @ 2750
Sierra 1500	5.3L V8 F/I	77-3021KP ¹	8.2 @ 5067	Sierra 3500	8.1L V8 F/I	57-3030-1 ¹	17.3 @ 4559
		57-3021-1 ¹	9.1 @ 5352	Sierra Denali	6.0L V8 F/I	77-3023KP ¹	8.2 @ 5067
Sierra 2500	6.0L V8 F/I	77-3023KP ¹	8.2 @ 5067			57-3023-1 ¹	14.3 @ 5018
		57-3023-1 ¹	14.3 @ 5018	Sonoma	2.2L L4 F/I	57-3025-1 ¹	6.7 @ 4700
Sierra 2500 HD	6.0L V8 F/I	77-3031KP ¹	17.4 @ 5024	Sonoma	4.3L V6 F/I	57-3017-2 ¹	7.4 @ 4671
		57-3031-1 ¹	20.3 @ 4894	Yukon	4.8L V8 F/I	77-3023KP ¹	8.2 @ 5067
Sierra 2500 HD	6.6L V8 DSL - LB7	77-3034KP ¹	12.6 @ 3246			57-3023-1 ¹	14.3 @ 5018
		57-3034 ¹	16.3 @ 2750	Yukon	5.3L V8 F/I	77-3023KP ¹	8.2 @ 5067
Sierra 2500 HD	6.6L V8 DSL - LLY	77-3047KP ¹	20.1 @ 3158			57-3023-1 ¹	14.3 @ 5018
		57-3047 ¹	20.1 @ 3157	Yukon Denali	6.0L V8 F/I	77-3023KP ¹	8.2 @ 5067
Sierra 2500 HD	8.1L V8 F/I	57-3030-1 ¹	17.3 @ 4559			57-3023-1 ¹	14.3 @ 5018
Sierra 3500	6.0L V8 F/I	77-3031KP ¹	17.4 @ 5024	Yukon Denali XL	6.0L V8 F/I	77-3023KP ¹	8.2 @ 5067
		57-3031-1 ¹	20.3 @ 4894			57-3023-1 ¹	14.3 @ 5018
Sierra 3500	6.6L V8 DSL - LB7	77-3034KP ¹	12.6 @ 3246	Yukon XL 1500	5.3L V8 F/I	77-3023KP ¹	8.2 @ 5067
		57-3034 ¹	16.3 @ 2750			57-3023-1 ¹	14.3 @ 5018
Sierra 3500	6.6L V8 DSL - LLY	77-3047KP ¹	20.1 @ 3158	Yukon XL 2500	6.0L V8 F/I	77-3023KP ¹	8.2 @ 5067
		57-3047 ¹	20.1 @ 3157			57-3023-1 ¹	14.3 @ 5018
Sierra 3500	8.1L V8 F/I	57-3030-1 ¹	17.3 @ 4559	Yukon XL 2500	8.1L V8 F/I	57-3032 ¹	13.0 @ 4231
Sierra Denali	6.0L V8 F/I	77-3023KP ¹	8.2 @ 5067	2002 GMC			
		57-3023-1 ¹	14.3 @ 5018	Envoy	4.2L L6 F/I	77-3036KP ¹	10.9 @ 5474
Sonoma	4.3L V6 F/I	57-3017-2 ¹	7.4 @ 4671			57-3036 ¹	9.3 @ 5623
Yukon	4.8L V8 F/I	77-3023KP ¹	8.2 @ 5067	Sierra 1500	4.3L V6 F/I	57-3038 ¹	8.2 @ 4544
		57-3023-1 ¹	14.3 @ 5018	Sierra 1500	4.8L V8 F/I	77-3021KP ¹	8.2 @ 5067
Yukon	5.3L V8 F/I	77-3023KP ¹	8.2 @ 5067			57-3021-1 ¹	9.1 @ 5352
		57-3023-1 ¹	14.3 @ 5018	Sierra 1500	5.3L V8 F/I	77-3021KP ¹	8.2 @ 5067
Yukon Denali	6.0L V8 F/I	77-3023KP ¹	8.2 @ 5067			57-3021-1 ¹	9.1 @ 5352
		57-3023-1 ¹	14.3 @ 5018	Sierra 1500 HD	6.0L V8 F/I	77-3023KP ¹	8.2 @ 5067
Yukon Denali XL	6.0L V8 F/I	77-3023KP ¹	8.2 @ 5067			57-3023-1 ¹	14.3 @ 5018
		57-3023-1 ¹	14.3 @ 5018	Sierra 2500	6.0L V8 F/I	77-3023KP ¹	8.2 @ 5067
Yukon XL 1500	5.3L V8 F/I	77-3023KP ¹	8.2 @ 5067			57-3023-1 ¹	14.3 @ 5018
		57-3023-1 ¹	14.3 @ 5018	Sierra 2500 HD	6.0L V8 F/I	77-3031KP ¹	17.4 @ 5024
Yukon XL 2500	6.0L V8 F/I	77-3023KP ¹	8.2 @ 5067			57-3031-1 ¹	20.3 @ 4894
		57-3023-1 ¹	14.3 @ 5018	Sierra 2500 HD	6.6L V8 DSL	77-3034KP ¹	12.6 @ 3246
Yukon XL 2500	8.1L V8 F/I	57-3032 ¹	13.0 @ 4231			57-3034 ¹	16.3 @ 2750
2003 GMC				Sierra 2500 HD	8.1L V8 F/I	57-3030-1 ¹	17.3 @ 4559
Envoy	4.2L L6 F/I	77-3036KP ¹	10.9 @ 5474	Sierra 3500	6.0L V8 F/I	77-3031KP ¹	17.4 @ 5024
		57-3036 ¹	9.3 @ 5623			57-3031-1 ¹	20.3 @ 4894
Envoy	5.3L V8 F/I	57-3048 ¹	19.3 @ 5133	Sierra 3500	6.6L V8 DSL	77-3034KP ¹	12.6 @ 3246
Sierra 1500	4.3L V6 F/I	57-3038 ¹	8.2 @ 4544			57-3034 ¹	16.3 @ 2750
Sierra 1500	4.8L V8 F/I	77-3021KP ¹	8.2 @ 5067	Sierra 3500	8.1L V8 F/I	57-3030-1 ¹	17.3 @ 4559
		57-3021-1 ¹	9.1 @ 5352	Sierra Denali	6.0L V8 F/I	77-3023KP ¹	8.2 @ 5067
Sierra 1500	5.3L V8 F/I	77-3021KP ¹	8.2 @ 5067			57-3023-1 ¹	14.3 @ 5018

1) Street legal in all US states. 2) Not legal for sale or use on any pollution controlled motor vehicle in California or states adopting California emission procedures.

* Estimated horsepower gains are based on specific or similar vehicle dyno tests. Results will vary. See Page 478 for more information. Partial Listing - Complete List of Vehicles and Applications at knfilters.com. See page 5 for information on intake tube materials/colors.

GMC

AIR INTAKE SYSTEMS

Vehicle	Engine Type	Part Number	Estimated Horsepower*	Vehicle	Engine Type	Part Number	Estimated Horsepower*
2002 GMC				2000 GMC			
Sonoma	2.2L L4 F/I	57-3025-1 ¹	6.7 @ 4700	C3500	5.7L V8 F/I	57-3013-2 ¹	9.5 @ 4918
Sonoma	4.3L V6 F/I	57-3017-2 ¹	7.4 @ 4671	C3500	7.4L V8 F/I	57-3016-1 ¹	21.5 @ 4078
Yukon	4.8L V8 F/I	77-3023KP ¹	8.2 @ 5067	Jimmy	4.3L V6 F/I	57-3017-2 ¹	7.4 @ 4671
		57-3023-1 ¹	14.3 @ 5018	K2500	5.7L V8 F/I	57-3013-2 ¹	9.5 @ 4918
Yukon	5.3L V8 F/I	77-3023KP ¹	8.2 @ 5067	K2500	7.4L V8 F/I	57-3016-1 ¹	21.5 @ 4078
		57-3023-1 ¹	14.3 @ 5018	K3500	5.7L V8 F/I	57-3013-2 ¹	9.5 @ 4918
Yukon Denali	6.0L V8 F/I	77-3023KP ¹	8.2 @ 5067	K3500	7.4L V8 F/I	57-3016-1 ¹	21.5 @ 4078
		57-3023-1 ¹	14.3 @ 5018	Sierra 1500	4.3L V6 F/I	57-3038 ¹	8.2 @ 4544
Yukon Denali XL	6.0L V8 F/I	77-3023KP ¹	8.2 @ 5067	Sierra 1500	4.8L V8 F/I	77-3021KP ¹	8.2 @ 5067
		57-3023-1 ¹	14.3 @ 5018			57-3021-1 ¹	9.1 @ 5352
Yukon XL 1500	5.3L V8 F/I	77-3023KP ¹	8.2 @ 5067	Sierra 1500	5.3L V8 F/I	77-3021KP ¹	8.2 @ 5067
		57-3023-1 ¹	14.3 @ 5018			57-3021-1 ¹	9.1 @ 5352
Yukon XL 2500	6.0L V8 F/I	77-3023KP ¹	8.2 @ 5067	Sierra 2500	5.3L V8 F/I	77-3023KP ¹	8.2 @ 5067
		57-3023-1 ¹	14.3 @ 5018			57-3023-1 ¹	14.3 @ 5018
Yukon XL 2500	8.1L V8 F/I	57-3032 ¹	13.0 @ 4231	Sierra 2500	6.0L V8 F/I	77-3023KP ¹	8.2 @ 5067
						57-3023-1 ¹	14.3 @ 5018
2001 GMC				1999 GMC			
Jimmy	4.3L V6 F/I	57-3017-2 ¹	7.4 @ 4671	Sonoma	2.2L L4 F/I	57-3025-1 ¹	6.7 @ 4700
Sierra 1500	4.3L V6 F/I	57-3038 ¹	8.2 @ 4544	Sonoma	4.3L V6 F/I	57-3017-2 ¹	7.4 @ 4671
Sierra 1500	4.8L V8 F/I	77-3021KP ¹	8.2 @ 5067	Yukon	4.8L V8 F/I	77-3023KP ¹	8.2 @ 5067
		57-3021-1 ¹	9.1 @ 5352			57-3023-1 ¹	14.3 @ 5018
Sierra 1500	5.3L V8 F/I	77-3021KP ¹	8.2 @ 5067	Yukon	5.3L V8 F/I	77-3023KP ¹	8.2 @ 5067
		57-3021-1 ¹	9.1 @ 5352			57-3023-1 ¹	14.3 @ 5018
Sierra 1500 HD	6.0L V8 F/I	77-3023KP ¹	8.2 @ 5067	Yukon Denali	5.7L V8 F/I	57-3013-2 ¹	9.5 @ 4918
		57-3023-1 ¹	14.3 @ 5018	Yukon XL 1500	5.3L V8 F/I	77-3023KP ¹	8.2 @ 5067
Sierra 2500	6.0L V8 F/I	77-3023KP ¹	8.2 @ 5067			57-3023-1 ¹	14.3 @ 5018
		57-3023-1 ¹	14.3 @ 5018	Yukon XL 2500	6.0L V8 F/I	77-3023KP ¹	8.2 @ 5067
Sierra 2500 HD	6.0L V8 F/I	77-3031KP ¹	17.4 @ 5024			57-3023-1 ¹	14.3 @ 5018
		57-3031-1 ¹	20.3 @ 4894	1999 GMC			
Sierra 2500 HD	6.6L V8 DSL	77-3034KP ¹	12.6 @ 3246	C1500	5.0L V8 F/I	57-3013-2 ¹	9.5 @ 4918
		57-3034 ¹	16.3 @ 2750	C1500	5.7L V8 F/I	57-3013-2 ¹	9.5 @ 4918
Sierra 2500 HD	8.1L V8 F/I	57-3030-1 ¹	17.3 @ 4559	C1500 Suburban	5.7L V8 F/I	57-3013-2 ¹	9.5 @ 4918
Sierra 3500	6.0L V8 F/I	77-3031KP ¹	17.4 @ 5024	C2500	5.0L V8 F/I	57-3013-2 ¹	9.5 @ 4918
		57-3031-1 ¹	20.3 @ 4894	C2500	5.7L V8 F/I	57-3013-2 ¹	9.5 @ 4918
Sierra 3500	6.6L V8 DSL	77-3034KP ¹	12.6 @ 3246	C2500	7.4L V8 F/I	57-3016-1 ¹	21.5 @ 4078
		57-3034 ¹	16.3 @ 2750	C2500 Suburban	5.7L V8 F/I	57-3013-2 ¹	9.5 @ 4918
Sierra 3500	8.1L V8 F/I	57-3030-1 ¹	17.3 @ 4559	C2500 Suburban	7.4L V8 F/I	57-3016-1 ¹	21.5 @ 4078
Sierra C3	6.0L V8 F/I	77-3023KP ¹	8.2 @ 5067	C3500	5.7L V8 F/I	57-3013-2 ¹	9.5 @ 4918
		57-3023-1 ¹	14.3 @ 5018	C3500	7.4L V8 F/I	57-3016-1 ¹	21.5 @ 4078
Sonoma	2.2L L4 F/I	57-3025-1 ¹	6.7 @ 4700	Jimmy	4.3L V6 F/I	57-3017-2 ¹	7.4 @ 4671
Sonoma	4.3L V6 F/I	57-3017-2 ¹	7.4 @ 4671	K1500	5.0L V8 F/I	57-3013-2 ¹	9.5 @ 4918
Yukon	4.8L V8 F/I	77-3023KP ¹	8.2 @ 5067	K1500	5.7L V8 F/I	57-3013-2 ¹	9.5 @ 4918
		57-3023-1 ¹	14.3 @ 5018	K1500 Suburban	5.7L V8 F/I	57-3013-2 ¹	9.5 @ 4918
Yukon	5.3L V8 F/I	77-3023KP ¹	8.2 @ 5067	K2500	5.0L V8 F/I	57-3013-2 ¹	9.5 @ 4918
		57-3023-1 ¹	14.3 @ 5018	K2500	5.7L V8 F/I	57-3013-2 ¹	9.5 @ 4918
Yukon Denali	6.0L V8 F/I	77-3023KP ¹	8.2 @ 5067	K2500	7.4L V8 F/I	57-3016-1 ¹	21.5 @ 4078
		57-3023-1 ¹	14.3 @ 5018	K2500 Suburban	5.7L V8 F/I	57-3013-2 ¹	9.5 @ 4918
Yukon Denali XL	6.0L V8 F/I	77-3023KP ¹	8.2 @ 5067	K2500 Suburban	7.4L V8 F/I	57-3016-1 ¹	21.5 @ 4078
		57-3023-1 ¹	14.3 @ 5018	K3500	5.7L V8 F/I	57-3013-2 ¹	9.5 @ 4918
Yukon XL 1500	5.3L V8 F/I	77-3023KP ¹	8.2 @ 5067	K3500	7.4L V8 F/I	57-3016-1 ¹	21.5 @ 4078
		57-3023-1 ¹	14.3 @ 5018	Sierra 1500	4.3L V6 F/I	57-3038 ¹	8.2 @ 4544
Yukon XL 2500	6.0L V8 F/I	77-3023KP ¹	8.2 @ 5067	Sierra 1500	4.8L V8 F/I	77-3021KP ¹	8.2 @ 5067
		57-3023-1 ¹	14.3 @ 5018			57-3021-1 ¹	9.1 @ 5352
Yukon XL 2500	8.1L V8 F/I	57-3032 ¹	13.0 @ 4231	Sierra 1500	5.3L V8 F/I	77-3021KP ¹	8.2 @ 5067
						57-3021-1 ¹	9.1 @ 5352
2000 GMC				Sierra 2500	5.3L V8 F/I	77-3023KP ¹	8.2 @ 5067
C2500	5.7L V8 F/I	57-3013-2 ¹	9.5 @ 4918			57-3023-1 ¹	14.3 @ 5018
C2500	7.4L V8 F/I	57-3016-1 ¹	21.5 @ 4078				

1) Street legal in all US states. 2) Not legal for sale or use on any pollution controlled motor vehicle in California or states adopting California emission procedures.

* Estimated horsepower gains are based on specific or similar vehicle dyno tests. Results will vary. See Page 478 for more information. Partial Listing - Complete List of Vehicles and Applications at knfilters.com. See page 5 for information on intake tube materials/colors.

AIR INTAKE SYSTEMS

GMC

Vehicle	Engine Type	Part Number	Estimated Horsepower*	Vehicle	Engine Type	Part Number	Estimated Horsepower*
1999 GMC				1997 GMC			
Sierra 2500	6.0L V8 F/I	77-3023KP ¹	8.2 @ 5067	Sonoma	4.3L V6 F/I	57-3017-2 ¹	7.4 @ 4671
		57-3023-1 ¹	14.3 @ 5018	Yukon	5.7L V8 F/I	57-3013-2 ¹	9.5 @ 4918
Sonoma	2.2L L4 F/I	57-3025-1 ¹	6.7 @ 4700	1996 GMC			
Sonoma	4.3L V6 F/I	57-3017-2 ¹	7.4 @ 4671	C1500	4.3L V6 F/I	57-3039 ¹	6.0 @ 4476
Yukon	5.7L V8 F/I	57-3013-2 ¹	9.5 @ 4918	C1500	5.0L V8 F/I	57-3013-2 ¹	9.5 @ 4918
Yukon Denali	5.7L V8 F/I	57-3013-2 ¹	9.5 @ 4918	C1500	5.7L V8 F/I	57-3013-2 ¹	9.5 @ 4918
1998 GMC				C1500 Suburban	5.7L V8 F/I	57-3013-2 ¹	9.5 @ 4918
C1500	4.3L V6 F/I	57-3039 ¹	6.0 @ 4476	C2500	5.0L V8 F/I	57-3013-2 ¹	9.5 @ 4918
C1500	5.0L V8 F/I	57-3013-2 ¹	9.5 @ 4918	C2500	5.7L V8 F/I	57-3013-2 ¹	9.5 @ 4918
C1500	5.7L V8 F/I	57-3013-2 ¹	9.5 @ 4918	C2500	7.4L V8 F/I	57-3016-1 ¹	21.5 @ 4078
C1500 Suburban	5.7L V8 F/I	57-3013-2 ¹	9.5 @ 4918	C2500 Suburban	5.7L V8 F/I	57-3013-2 ¹	9.5 @ 4918
C2500	5.7L V8 F/I	57-3013-2 ¹	9.5 @ 4918	C2500 Suburban	7.4L V8 F/I	57-3016-1 ¹	21.5 @ 4078
C2500	7.4L V8 F/I	57-3016-1 ¹	21.5 @ 4078	C3500	5.7L V8 F/I	57-3013-2 ¹	9.5 @ 4918
C2500 Suburban	5.7L V8 F/I	57-3013-2 ¹	9.5 @ 4918	C3500	7.4L V8 F/I	57-3016-1 ¹	21.5 @ 4078
C2500 Suburban	7.4L V8 F/I	57-3016-1 ¹	21.5 @ 4078	Jimmy	4.3L V6 F/I	57-3017-2 ¹	7.4 @ 4671
C3500	5.7L V8 F/I	57-3013-2 ¹	9.5 @ 4918	K1500	4.3L V6 F/I	57-3039 ¹	6.0 @ 4476
C3500	7.4L V8 F/I	57-3016-1 ¹	21.5 @ 4078	K1500	5.0L V8 F/I	57-3013-2 ¹	9.5 @ 4918
Jimmy	4.3L V6 F/I	57-3017-2 ¹	7.4 @ 4671	K1500	5.7L V8 F/I	57-3013-2 ¹	9.5 @ 4918
K1500	5.0L V8 F/I	57-3013-2 ¹	9.5 @ 4918	K1500 Suburban	5.7L V8 F/I	57-3013-2 ¹	9.5 @ 4918
K1500	5.7L V8 F/I	57-3013-2 ¹	9.5 @ 4918	K2500	5.0L V8 F/I	57-3013-2 ¹	9.5 @ 4918
K1500 Suburban	5.7L V8 F/I	57-3013-2 ¹	9.5 @ 4918	K2500	5.7L V8 F/I	57-3013-2 ¹	9.5 @ 4918
K2500	5.0L V8 F/I	57-3013-2 ¹	9.5 @ 4918	K2500	7.4L V8 F/I	57-3016-1 ¹	21.5 @ 4078
K2500	5.7L V8 F/I	57-3013-2 ¹	9.5 @ 4918	K2500 Suburban	5.7L V8 F/I	57-3013-2 ¹	9.5 @ 4918
K2500	7.4L V8 F/I	57-3016-1 ¹	21.5 @ 4078	K2500 Suburban	7.4L V8 F/I	57-3016-1 ¹	21.5 @ 4078
K2500 Suburban	5.7L V8 F/I	57-3013-2 ¹	9.5 @ 4918	K3500	5.7L V8 F/I	57-3013-2 ¹	9.5 @ 4918
K2500 Suburban	7.4L V8 F/I	57-3016-1 ¹	21.5 @ 4078	K3500	7.4L V8 F/I	57-3016-1 ¹	21.5 @ 4078
K3500	5.7L V8 F/I	57-3013-2 ¹	9.5 @ 4918	Sonoma	2.2L L4 F/I	57-3024 ¹	7.5 @ 5224
K3500	7.4L V8 F/I	57-3016-1 ¹	21.5 @ 4078	Sonoma	4.3L V6 F/I	57-3017-2 ¹	7.4 @ 4671
Sonoma	2.2L L4 F/I	57-3025-1 ¹	6.7 @ 4700	Yukon	5.7L V8 F/I	57-3013-2 ¹	9.5 @ 4918
Sonoma	4.3L V6 F/I	57-3017-2 ¹	7.4 @ 4671	1995 GMC			
Yukon	5.7L V8 F/I	57-3013-2 ¹	9.5 @ 4918	C1500	5.0L V8 F/I	63-1007-1 ²	6.7 @ 4107
1997 GMC				C1500	5.7L V8 F/I	57-3026 ¹	6.7 @ 4107
C1500	4.3L V6 F/I	57-3039 ¹	6.0 @ 4476	C1500	5.7L V8 F/I	63-1007-1 ²	6.7 @ 4107
C1500	5.0L V8 F/I	57-3013-2 ¹	9.5 @ 4918	C1500 Suburban	5.7L V8 F/I	57-3026 ¹	6.7 @ 4107
C1500	5.7L V8 F/I	57-3013-2 ¹	9.5 @ 4918	C1500 Suburban	5.7L V8 F/I	63-1007-1 ²	6.7 @ 4107
C1500 Suburban	5.7L V8 F/I	57-3013-2 ¹	9.5 @ 4918	C2500	5.0L V8 F/I	57-3026 ¹	6.7 @ 4107
C2500	5.0L V8 F/I	57-3013-2 ¹	9.5 @ 4918	C2500	5.7L V8 F/I	63-1007-1 ²	6.7 @ 4107
C2500	5.7L V8 F/I	57-3013-2 ¹	9.5 @ 4918	C2500	7.4L V8 F/I	63-1007-1 ²	6.7 @ 4107
C2500	7.4L V8 F/I	57-3016-1 ¹	21.5 @ 4078	C2500	7.4L V8 F/I - w/o heat stove	57-3027 ¹	7.4 @ 3571
C2500 Suburban	5.7L V8 F/I	57-3013-2 ¹	9.5 @ 4918	C2500	7.4L V8 F/I	57-3014 ¹	17.6 @ 3811
C2500 Suburban	7.4L V8 F/I	57-3016-1 ¹	21.5 @ 4078	C2500 Suburban	5.7L V8 F/I	63-1007-1 ²	6.7 @ 4107
C3500	5.7L V8 F/I	57-3013-2 ¹	9.5 @ 4918	C2500 Suburban	5.7L V8 F/I	57-3026 ¹	6.7 @ 4107
C3500	7.4L V8 F/I	57-3016-1 ¹	21.5 @ 4078	C2500 Suburban	7.4L V8 F/I	63-1007-1 ²	6.7 @ 4107
Jimmy	4.3L V6 F/I	57-3017-2 ¹	7.4 @ 4671	C2500 Suburban	7.4L V8 F/I	57-3027 ¹	7.4 @ 3571
K1500	4.3L V6 F/I	57-3039 ¹	6.0 @ 4476	C2500 Suburban	7.4L V8 F/I - w/o heat stove	57-3014 ¹	17.6 @ 3811
K1500	5.0L V8 F/I	57-3013-2 ¹	9.5 @ 4918	C3500	5.7L V8 F/I	63-1007-1 ²	6.7 @ 4107
K1500	5.7L V8 F/I	57-3013-2 ¹	9.5 @ 4918	C3500	7.4L V8 F/I	57-3026 ¹	6.7 @ 4107
K1500 Suburban	5.7L V8 F/I	57-3013-2 ¹	9.5 @ 4918	C3500	7.4L V8 F/I	63-1007-1 ²	6.7 @ 4107
K2500	5.0L V8 F/I	57-3013-2 ¹	9.5 @ 4918	C3500	7.4L V8 F/I	57-3027 ¹	7.4 @ 3571
K2500	5.7L V8 F/I	57-3013-2 ¹	9.5 @ 4918	C3500	7.4L V8 F/I - w/o heat stove	57-3014 ¹	17.6 @ 3811
K2500	7.4L V8 F/I	57-3016-1 ¹	21.5 @ 4078	Jimmy	4.3L V6 F/I	57-3009 ¹	7.1 @ 4571
K2500 Suburban	5.7L V8 F/I	57-3013-2 ¹	9.5 @ 4918	K1500	5.0L V8 F/I	63-1007-1 ²	6.7 @ 4107
K2500 Suburban	7.4L V8 F/I	57-3016-1 ¹	21.5 @ 4078				
K3500	5.7L V8 F/I	57-3013-2 ¹	9.5 @ 4918				
K3500	7.4L V8 F/I	57-3016-1 ¹	21.5 @ 4078				
Sonoma	2.2L L4 F/I	57-3024 ¹	7.5 @ 5224				

1) Street legal in all US states. 2) Not legal for sale or use on any pollution controlled motor vehicle in California or states adopting California emission procedures.

* Estimated horsepower gains are based on specific or similar vehicle dyno tests. Results will vary. See Page 478 for more information. Partial Listing - Complete List of Vehicles and Applications at knfilters.com. See page 5 for information on intake tube materials/colors.

GMC

AIR INTAKE SYSTEMS

Vehicle	Engine Type	Part Number	Estimated Horsepower*	Vehicle	Engine Type	Part Number	Estimated Horsepower*
1995 GMC				1994 GMC			
K1500	5.0L V8 F/I	57-3026 ¹	6.7 @ 4107	K1500	5.7L V8 F/I	63-1007-1 ²	6.7 @ 4107
K1500	5.7L V8 F/I	63-1007-1 ²	6.7 @ 4107			57-3026 ¹	6.7 @ 4107
		57-3026 ¹	6.7 @ 4107	K1500 Suburban	5.7L V8 F/I	63-1007-1 ²	6.7 @ 4107
K1500 Suburban	5.7L V8 F/I	63-1007-1 ²	6.7 @ 4107			57-3026 ¹	6.7 @ 4107
		57-3026 ¹	6.7 @ 4107	K2500	5.0L V8 F/I	63-1007-1 ²	6.7 @ 4107
K2500	5.0L V8 F/I	63-1007-1 ²	6.7 @ 4107	K2500	5.7L V8 F/I	63-1007-1 ²	6.7 @ 4107
K2500	5.7L V8 F/I	63-1007-1 ²	6.7 @ 4107			57-3026 ¹	6.7 @ 4107
		57-3026 ¹	6.7 @ 4107	K2500	7.4L V8 F/I	63-1007-1 ²	6.7 @ 4107
K2500	7.4L V8 F/I	63-1007-1 ²	6.7 @ 4107			57-3027 ¹	7.4 @ 3571
		57-3027 ¹	7.4 @ 3571	K2500	7.4L V8 F/I - w/o heat stove	57-3014 ¹	17.6 @ 3811
K2500	7.4L V8 F/I - w/o heat stove	57-3014 ¹	17.6 @ 3811	K2500 Suburban	5.7L V8 F/I	63-1007-1 ²	6.7 @ 4107
		57-3014 ¹	17.6 @ 3811			57-3026 ¹	6.7 @ 4107
K2500 Suburban	5.7L V8 F/I	63-1007-1 ²	6.7 @ 4107	K2500 Suburban	7.4L V8 F/I	63-1007-1 ²	6.7 @ 4107
		57-3026 ¹	6.7 @ 4107			57-3027 ¹	7.4 @ 3571
K2500 Suburban	7.4L V8 F/I	63-1007-1 ²	6.7 @ 4107	K2500 Suburban	7.4L V8 F/I - w/o heat stove	57-3014 ¹	17.6 @ 3811
		57-3027 ¹	7.4 @ 3571			57-3014 ¹	17.6 @ 3811
K2500 Suburban	7.4L V8 F/I - w/o heat stove	57-3014 ¹	17.6 @ 3811	K3500	5.7L V8 F/I	63-1007-1 ²	6.7 @ 4107
		57-3014 ¹	17.6 @ 3811			57-3026 ¹	6.7 @ 4107
K3500	5.7L V8 F/I	63-1007-1 ²	6.7 @ 4107	K3500	7.4L V8 F/I	63-1007-1 ²	6.7 @ 4107
		57-3026 ¹	6.7 @ 4107			57-3027 ¹	7.4 @ 3571
K3500	7.4L V8 F/I	63-1007-1 ²	6.7 @ 4107	K3500	7.4L V8 F/I - w/o heat stove	57-3014 ¹	17.6 @ 3811
		57-3027 ¹	7.4 @ 3571			57-3014 ¹	17.6 @ 3811
K3500	7.4L V8 F/I - w/o heat stove	57-3014 ¹	17.6 @ 3811	Sonoma	2.2L L4 F/I	57-3024 ¹	7.5 @ 5224
		57-3014 ¹	17.6 @ 3811	Sonoma	4.3L V6 CPI	57-3009 ¹	7.1 @ 4571
Sonoma	2.2L L4 F/I	57-3024 ¹	7.5 @ 5224	Sonoma	4.3L V6 TBI	57-3029 ¹	4.7 @ 3971
Sonoma	4.3L V6 CPI	57-3009 ¹	7.1 @ 4571	Yukon	5.7L V8 F/I	63-1007-1 ²	6.7 @ 4107
Sonoma	4.3L V6 TBI	57-3029 ¹	4.7 @ 3971			57-3026 ¹	6.7 @ 4107
Yukon	5.7L V8 F/I	63-1007-1 ²	6.7 @ 4107			57-3026 ¹	6.7 @ 4107
		57-3026 ¹	6.7 @ 4107	1993 GMC			
1994 GMC				C1500	5.0L V8 F/I	63-1007-1 ²	6.7 @ 4107
C1500	5.0L V8 F/I	63-1007-1 ²	6.7 @ 4107			57-3026 ¹	6.7 @ 4107
		57-3026 ¹	6.7 @ 4107	C1500	5.7L V8 F/I	63-1007-1 ²	6.7 @ 4107
C1500	5.7L V8 F/I	63-1007-1 ²	6.7 @ 4107			57-3026 ¹	6.7 @ 4107
		57-3026 ¹	6.7 @ 4107	C1500 Suburban	5.7L V8 F/I	63-1007-1 ²	6.7 @ 4107
C1500 Suburban	5.7L V8 F/I	63-1007-1 ²	6.7 @ 4107			57-3026 ¹	6.7 @ 4107
		57-3026 ¹	6.7 @ 4107	C2500	5.0L V8 F/I	63-1007-1 ²	6.7 @ 4107
C2500	5.0L V8 F/I	63-1007-1 ²	6.7 @ 4107			57-3026 ¹	6.7 @ 4107
C2500	5.7L V8 F/I	63-1007-1 ²	6.7 @ 4107	C2500	5.7L V8 F/I	63-1007-1 ²	6.7 @ 4107
		57-3026 ¹	6.7 @ 4107			57-3026 ¹	6.7 @ 4107
C2500	7.4L V8 F/I	63-1007-1 ²	6.7 @ 4107	C2500	7.4L V8 F/I	63-1007-1 ²	6.7 @ 4107
		57-3027 ¹	7.4 @ 3571			57-3027 ¹	7.4 @ 3571
C2500	7.4L V8 F/I - w/o heat stove	57-3014 ¹	17.6 @ 3811	C2500	7.4L V8 F/I - w/o heat stove	57-3014 ¹	17.6 @ 3811
		57-3014 ¹	17.6 @ 3811			57-3014 ¹	17.6 @ 3811
C2500 Suburban	5.7L V8 F/I	63-1007-1 ²	6.7 @ 4107	C2500 Suburban	5.7L V8 F/I	63-1007-1 ²	6.7 @ 4107
		57-3026 ¹	6.7 @ 4107			57-3026 ¹	6.7 @ 4107
C2500 Suburban	7.4L V8 F/I	63-1007-1 ²	6.7 @ 4107	C2500 Suburban	7.4L V8 F/I	63-1007-1 ²	6.7 @ 4107
		57-3027 ¹	7.4 @ 3571			57-3027 ¹	7.4 @ 3571
C2500 Suburban	7.4L V8 F/I - w/o heat stove	57-3014 ¹	17.6 @ 3811	C2500 Suburban	7.4L V8 F/I - w/o heat stove	57-3014 ¹	17.6 @ 3811
		57-3014 ¹	17.6 @ 3811			57-3014 ¹	17.6 @ 3811
C3500	5.7L V8 F/I	63-1007-1 ²	6.7 @ 4107	C3500	5.7L V8 F/I	63-1007-1 ²	6.7 @ 4107
		57-3026 ¹	6.7 @ 4107			57-3026 ¹	6.7 @ 4107
C3500	7.4L V8 F/I	63-1007-1 ²	6.7 @ 4107	C3500	7.4L V8 F/I	63-1007-1 ²	6.7 @ 4107
		57-3027 ¹	7.4 @ 3571			63-1007-1 ²	6.7 @ 4107
C3500	7.4L V8 F/I - w/o heat stove	57-3014 ¹	17.6 @ 3811	C3500	7.4L V8 F/I - w/o heat stove	57-3014 ¹	17.6 @ 3811
		57-3014 ¹	17.6 @ 3811			57-3014 ¹	17.6 @ 3811
Jimmy	4.3L V6 TBI	57-3029 ¹	4.7 @ 3971	Jimmy	4.3L V6 TBI	57-3028 ¹	
K1500	5.0L V8 F/I	63-1007-1 ²	6.7 @ 4107	K1500	5.0L V8 F/I	63-1007-1 ²	6.7 @ 4107
		57-3026 ¹	6.7 @ 4107			57-3026 ¹	6.7 @ 4107

1) Street legal in all US states. 2) Not legal for sale or use on any pollution controlled motor vehicle in California or states adopting California emission procedures.

* Estimated horsepower gains are based on specific or similar vehicle dyno tests. Results will vary. See Page 478 for more information. Partial Listing - Complete List of Vehicles and Applications at knfilters.com. See page 5 for information on intake tube materials/colors.

AIR INTAKE SYSTEMS

GMC

Vehicle	Engine Type	Part Number	Estimated Horsepower*	Vehicle	Engine Type	Part Number	Estimated Horsepower*
1993 GMC				1992 GMC			
K1500	5.7L V8 F/I	63-1007-1 ²	6.7 @ 4107	K1500	5.7L V8 F/I	57-3026 ¹	6.7 @ 4107
		57-3026 ¹	6.7 @ 4107	K1500 Suburban	5.7L V8 F/I	63-1007-1 ²	6.7 @ 4107
K1500 Suburban	5.7L V8 F/I	57-3026 ¹	6.7 @ 4107			57-3026 ¹	6.7 @ 4107
		63-1007-1 ²	6.7 @ 4107	K2500	5.0L V8 F/I	63-1007-1 ²	6.7 @ 4107
K2500	5.0L V8 F/I	63-1007-1 ²	6.7 @ 4107			57-3026 ¹	6.7 @ 4107
		57-3026 ¹	6.7 @ 4107	K2500	5.7L V8 F/I	63-1007-1 ²	6.7 @ 4107
K2500	5.7L V8 F/I	57-3026 ¹	6.7 @ 4107			57-3026 ¹	6.7 @ 4107
		63-1007-1 ²	6.7 @ 4107	K2500	7.4L V8 F/I	63-1007-1 ²	6.7 @ 4107
K2500	7.4L V8 F/I	63-1007-1 ²	6.7 @ 4107			57-3027 ¹	7.4 @ 3571
		57-3027 ¹	7.4 @ 3571	K2500	7.4L V8 F/I - w/o heat stove	57-3014 ¹	17.6 @ 3811
K2500	7.4L V8 F/I - w/o heat stove	57-3014 ¹	17.6 @ 3811	K2500 Suburban	5.7L V8 F/I	63-1007-1 ²	6.7 @ 4107
		57-3026 ¹	6.7 @ 4107			57-3026 ¹	6.7 @ 4107
K2500 Suburban	5.7L V8 F/I	63-1007-1 ²	6.7 @ 4107	K2500 Suburban	7.4L V8 F/I	63-1007-1 ²	6.7 @ 4107
		63-1007-1 ²	6.7 @ 4107			57-3027 ¹	7.4 @ 3571
K2500 Suburban	7.4L V8 F/I	63-1007-1 ²	6.7 @ 4107	K2500 Suburban	7.4L V8 F/I - w/o heat stove	57-3014 ¹	17.6 @ 3811
		57-3027 ¹	7.4 @ 3571			57-3014 ¹	17.6 @ 3811
K2500 Suburban	7.4L V8 F/I - w/o heat stove	57-3014 ¹	17.6 @ 3811	K3500	5.7L V8 F/I	63-1007-1 ²	6.7 @ 4107
		57-3026 ¹	6.7 @ 4107			57-3026 ¹	6.7 @ 4107
K3500	5.7L V8 F/I	63-1007-1 ²	6.7 @ 4107	K3500	7.4L V8 F/I	63-1007-1 ²	6.7 @ 4107
		57-3026 ¹	6.7 @ 4107			57-3027 ¹	7.4 @ 3571
K3500	7.4L V8 F/I	63-1007-1 ²	6.7 @ 4107	K3500	7.4L V8 F/I - w/o heat stove	57-3014 ¹	17.6 @ 3811
		57-3027 ¹	7.4 @ 3571			57-3014 ¹	17.6 @ 3811
K3500	7.4L V8 F/I - w/o heat stove	57-3014 ¹	17.6 @ 3811	Sonoma	4.3L V6 TBI	57-3028 ¹	
		57-3026 ¹	6.7 @ 4107	Yukon	5.7L V8 F/I	63-1007-1 ²	6.7 @ 4107
Sonoma	4.3L V6 TBI	57-3028 ¹				57-3026 ¹	6.7 @ 4107
Yukon	5.7L V8 F/I	63-1007-1 ²	6.7 @ 4107			57-3026 ¹	6.7 @ 4107
		57-3026 ¹	6.7 @ 4107	1991 GMC			
1992 GMC				C1500	5.0L V8 F/I	63-1007-1 ²	6.7 @ 4107
C1500	5.0L V8 F/I	63-1007-1 ²	6.7 @ 4107			57-3026 ¹	6.7 @ 4107
		57-3026 ¹	6.7 @ 4107	C1500	5.7L V8 F/I	63-1007-1 ²	6.7 @ 4107
C1500	5.7L V8 F/I	63-1007-1 ²	6.7 @ 4107			57-3026 ¹	6.7 @ 4107
		57-3026 ¹	6.7 @ 4107	C2500	5.0L V8 F/I	63-1007-1 ²	6.7 @ 4107
C1500 Suburban	5.7L V8 F/I	63-1007-1 ²	6.7 @ 4107			57-3026 ¹	6.7 @ 4107
		57-3026 ¹	6.7 @ 4107	C2500	5.7L V8 F/I	63-1007-1 ²	6.7 @ 4107
C2500	5.0L V8 F/I	63-1007-1 ²	6.7 @ 4107			57-3026 ¹	6.7 @ 4107
		57-3026 ¹	6.7 @ 4107	C2500	7.4L V8 F/I	63-1007-1 ²	6.7 @ 4107
C2500	5.7L V8 F/I	63-1007-1 ²	6.7 @ 4107			57-3027 ¹	7.4 @ 3571
		57-3026 ¹	6.7 @ 4107	C3500	5.7L V8 F/I	63-1007-1 ²	6.7 @ 4107
C2500	7.4L V8 F/I	63-1007-1 ²	6.7 @ 4107			57-3026 ¹	6.7 @ 4107
		57-3027 ¹	7.4 @ 3571	C3500	7.4L V8 F/I	63-1007-1 ²	6.7 @ 4107
C2500	7.4L V8 F/I - w/o heat stove	57-3014 ¹	17.6 @ 3811			57-3027 ¹	7.4 @ 3571
		57-3026 ¹	6.7 @ 4107	Jimmy	5.7L V8 F/I	63-1007-1 ²	6.7 @ 4107
C2500 Suburban	5.7L V8 F/I	63-1007-1 ²	6.7 @ 4107			63-1007-1 ²	6.7 @ 4107
		57-3026 ¹	6.7 @ 4107	K1500	5.0L V8 F/I	63-1007-1 ²	6.7 @ 4107
C2500 Suburban	7.4L V8 F/I	63-1007-1 ²	6.7 @ 4107			57-3026 ¹	6.7 @ 4107
		57-3027 ¹	7.4 @ 3571	K1500	5.7L V8 F/I	63-1007-1 ²	6.7 @ 4107
C2500 Suburban	7.4L V8 F/I - w/o heat stove	57-3014 ¹	17.6 @ 3811			57-3026 ¹	6.7 @ 4107
		57-3026 ¹	6.7 @ 4107	K2500	5.0L V8 F/I	63-1007-1 ²	6.7 @ 4107
C3500	5.7L V8 F/I	63-1007-1 ²	6.7 @ 4107			57-3026 ¹	6.7 @ 4107
		57-3026 ¹	6.7 @ 4107	K2500	5.7L V8 F/I	63-1007-1 ²	6.7 @ 4107
C3500	7.4L V8 F/I	63-1007-1 ²	6.7 @ 4107			57-3026 ¹	6.7 @ 4107
		57-3027 ¹	7.4 @ 3571	K2500	7.4L V8 F/I	63-1007-1 ²	6.7 @ 4107
C3500	7.4L V8 F/I - w/o heat stove	57-3014 ¹	17.6 @ 3811			57-3027 ¹	7.4 @ 3571
		57-3026 ¹	6.7 @ 4107	K3500	5.7L V8 F/I	63-1007-1 ²	6.7 @ 4107
Jimmy	4.3L V6 TBI	57-3028 ¹				57-3026 ¹	6.7 @ 4107
K1500	5.0L V8 F/I	63-1007-1 ²	6.7 @ 4107	K3500	7.4L V8 F/I	63-1007-1 ²	6.7 @ 4107
		57-3026 ¹	6.7 @ 4107			57-3027 ¹	7.4 @ 3571
K1500	5.7L V8 F/I	63-1007-1 ²	6.7 @ 4107	R1500 Suburban	5.7L V8 F/I	63-1007-1 ²	6.7 @ 4107

1) Street legal in all US states. 2) Not legal for sale or use on any pollution controlled motor vehicle in California or states adopting California emission procedures.

* Estimated horsepower gains are based on specific or similar vehicle dyno tests. Results will vary. See Page 478 for more information. Partial Listing - Complete List of Vehicles and Applications at knfilters.com. See page 5 for information on intake tube materials/colors.

GMC

AIR INTAKE SYSTEMS

Vehicle	Engine Type	Part Number	Estimated Horsepower*	Vehicle	Engine Type	Part Number	Estimated Horsepower*
1991 GMC				1989 GMC			
R2500 Suburban	5.7L V8 F/I	63-1007-1 ²	6.7 @ 4107	C2500	5.7L V8 F/I	57-3026 ¹	6.7 @ 4107
R2500 Suburban	7.4L V8 F/I	63-1007-1 ²	6.7 @ 4107	C3500	5.7L V8 F/I	63-1007-1 ²	6.7 @ 4107
R3500	5.7L V8 F/I	63-1007-1 ²	6.7 @ 4107			57-3026 ¹	6.7 @ 4107
R3500	7.4L V8 F/I	63-1007-1 ²	6.7 @ 4107	C3500	7.4L V8 F/I	63-1007-1 ²	6.7 @ 4107
S15 Jimmy	4.3L V6 F/I	57-3028 ¹				57-3027 ¹	7.4 @ 3571
Sonoma	4.3L V6 F/I	57-3028 ¹		Jimmy	5.7L V8 F/I	63-1007-1 ²	6.7 @ 4107
V1500 Suburban	5.7L V8 F/I	63-1007-1 ²	6.7 @ 4107	K1500	5.0L V8 F/I	63-1007-1 ²	6.7 @ 4107
V2500 Suburban	5.7L V8 F/I	63-1007-1 ²	6.7 @ 4107			57-3026 ¹	6.7 @ 4107
V3500	5.7L V8 F/I	63-1007-1 ²	6.7 @ 4107	K1500	5.7L V8 F/I	63-1007-1 ²	6.7 @ 4107
V3500	7.4L V8 F/I	63-1007-1 ²	6.7 @ 4107			57-3026 ¹	6.7 @ 4107
1990 GMC				K2500	5.0L V8 F/I	63-1007-1 ²	6.7 @ 4107
C1500	5.0L V8 F/I	63-1007-1 ²	6.7 @ 4107			57-3026 ¹	6.7 @ 4107
		57-3026 ¹	6.7 @ 4107	K2500	5.7L V8 F/I	63-1007-1 ²	6.7 @ 4107
C1500	5.7L V8 F/I	63-1007-1 ²	6.7 @ 4107			57-3026 ¹	6.7 @ 4107
		57-3026 ¹	6.7 @ 4107	K3500	5.7L V8 F/I	63-1007-1 ²	6.7 @ 4107
C2500	5.0L V8 F/I	63-1007-1 ²	6.7 @ 4107			57-3026 ¹	6.7 @ 4107
		57-3026 ¹	6.7 @ 4107	K3500	7.4L V8 F/I	63-1007-1 ²	6.7 @ 4107
C2500	5.7L V8 F/I	63-1007-1 ²	6.7 @ 4107			57-3027 ¹	7.4 @ 3571
		57-3026 ¹	6.7 @ 4107	R1500 Suburban	5.7L V8 F/I	63-1007-1 ²	6.7 @ 4107
C3500	5.7L V8 F/I	63-1007-1 ²	6.7 @ 4107	R2500	5.7L V8 F/I	63-1007-1 ²	6.7 @ 4107
		57-3026 ¹	6.7 @ 4107			57-3026 ¹	6.7 @ 4107
C3500	7.4L V8 F/I	63-1007-1 ²	6.7 @ 4107	R2500	7.4L V8 F/I	63-1007-1 ²	6.7 @ 4107
		57-3027 ¹	7.4 @ 3571	R2500 Suburban	5.7L V8 F/I	63-1007-1 ²	6.7 @ 4107
Jimmy	5.7L V8 F/I	63-1007-1 ²	6.7 @ 4107	R2500 Suburban	7.4L V8 F/I	63-1007-1 ²	6.7 @ 4107
K1500	5.0L V8 F/I	63-1007-1 ²	6.7 @ 4107	R3500	5.7L V8 F/I	63-1007-1 ²	6.7 @ 4107
		57-3026 ¹	6.7 @ 4107	R3500	7.4L V8 F/I	63-1007-1 ²	6.7 @ 4107
K1500	5.7L V8 F/I	63-1007-1 ²	6.7 @ 4107	S15 Jimmy	4.3L V6 TBI	57-3028 ¹	
		57-3026 ¹	6.7 @ 4107	S15 Pickup	4.3L V6 TBI	57-3028 ¹	
K2500	5.0L V8 F/I	63-1007-1 ²	6.7 @ 4107	V1500 Suburban	5.7L V8 F/I	63-1007-1 ²	6.7 @ 4107
		57-3026 ¹	6.7 @ 4107	V2500 Suburban	5.7L V8 F/I	63-1007-1 ²	6.7 @ 4107
K2500	5.7L V8 F/I	63-1007-1 ²	6.7 @ 4107	V3500	5.7L V8 F/I	63-1007-1 ²	6.7 @ 4107
		57-3026 ¹	6.7 @ 4107	V3500	7.4L V8 F/I	63-1007-1 ²	6.7 @ 4107
K3500	5.7L V8 F/I	63-1007-1 ²	6.7 @ 4107	1988 GMC			
		57-3026 ¹	6.7 @ 4107	C1500	5.0L V8 F/I	63-1007-1 ²	6.7 @ 4107
K3500	7.4L V8 F/I	63-1007-1 ²	6.7 @ 4107			57-3026 ¹	6.7 @ 4107
		57-3027 ¹	7.4 @ 3571	C1500	5.7L V8 F/I	63-1007-1 ²	6.7 @ 4107
R1500 Suburban	5.7L V8 F/I	63-1007-1 ²	6.7 @ 4107			57-3026 ¹	6.7 @ 4107
R2500 Suburban	5.7L V8 F/I	63-1007-1 ²	6.7 @ 4107	C2500	5.0L V8 F/I	63-1007-1 ²	6.7 @ 4107
R2500 Suburban	7.4L V8 F/I	63-1007-1 ²	6.7 @ 4107			57-3026 ¹	6.7 @ 4107
R3500	5.7L V8 F/I	63-1007-1 ²	6.7 @ 4107	C2500	5.7L V8 F/I	63-1007-1 ²	6.7 @ 4107
R3500	7.4L V8 F/I	63-1007-1 ²	6.7 @ 4107			57-3026 ¹	6.7 @ 4107
S15 Jimmy	4.3L V6 TBI	57-3028 ¹		C3500	5.7L V8 F/I	63-1007-1 ²	6.7 @ 4107
S15 Pickup	4.3L V6 TBI	57-3028 ¹				57-3026 ¹	6.7 @ 4107
V1500 Suburban	5.7L V8 F/I	63-1007-1 ²	6.7 @ 4107	C3500	7.4L V8 F/I	63-1007-1 ²	6.7 @ 4107
V2500 Suburban	5.7L V8 F/I	63-1007-1 ²	6.7 @ 4107			57-3027 ¹	7.4 @ 3571
V3500	5.7L V8 F/I	63-1007-1 ²	6.7 @ 4107	Jimmy	5.7L V8 F/I	63-1007-1 ²	6.7 @ 4107
V3500	7.4L V8 F/I	63-1007-1 ²	6.7 @ 4107	K1500	5.0L V8 F/I	63-1007-1 ²	6.7 @ 4107
		57-3027 ¹	7.4 @ 3571			57-3026 ¹	6.7 @ 4107
1989 GMC				K1500	5.7L V8 F/I	63-1007-1 ²	6.7 @ 4107
C1500	5.0L V8 F/I	63-1007-1 ²	6.7 @ 4107			57-3026 ¹	6.7 @ 4107
		57-3026 ¹	6.7 @ 4107	K2500	5.0L V8 F/I	63-1007-1 ²	6.7 @ 4107
C1500	5.7L V8 F/I	63-1007-1 ²	6.7 @ 4107			57-3026 ¹	6.7 @ 4107
		57-3026 ¹	6.7 @ 4107	K2500	5.7L V8 F/I	63-1007-1 ²	6.7 @ 4107
C2500	5.0L V8 F/I	63-1007-1 ²	6.7 @ 4107			57-3026 ¹	6.7 @ 4107
		57-3026 ¹	6.7 @ 4107	K3500	5.7L V8 F/I	63-1007-1 ²	6.7 @ 4107
C2500	5.7L V8 F/I	63-1007-1 ²	6.7 @ 4107			57-3026 ¹	6.7 @ 4107

1) Street legal in all US states. 2) Not legal for sale or use on any pollution controlled motor vehicle in California or states adopting California emission procedures.

* Estimated horsepower gains are based on specific or similar vehicle dyno tests. Results will vary. See Page 478 for more information. Partial Listing - Complete List of Vehicles and Applications at knfilters.com. See page 5 for information on intake tube materials/colors.

AIR INTAKE SYSTEMS

GMC

Vehicle	Engine Type	Part Number	Estimated Horsepower*	Vehicle	Engine Type	Part Number	Estimated Horsepower*
1988 GMC				2016 HARLEY DAVIDSON			
K3500	7.4L V8 F/I	63-1007-1 ² 57-3027 ¹	6.7 @ 4107 7.4 @ 3571	FLTRXS Road Glide Special	103 CI - Exc. Lower Fairings	63-1122P ²	12.9 @ 4612
R1500 Suburban	5.7L V8 F/I	63-1007-1 ²	6.7 @ 4107	FXSB Breakout	103 CI - Exc. Lower Fairings	63-1122 ²	12.9 @ 4612
R2500	5.7L V8 F/I	63-1007-1 ²	6.7 @ 4107			63-1122P ²	12.9 @ 4612
R2500	7.4L V8 F/I	63-1007-1 ²	6.7 @ 4107	XG500 Street	30 CI	63-1130 ²	
R2500 Suburban	5.7L V8 F/I	63-1007-1 ²	6.7 @ 4107	XG750 Street	46 CI	63-1130 ²	
R2500 Suburban	7.4L V8 F/I	63-1007-1 ²	6.7 @ 4107	XL883L SuperLow	54 CI	63-1126 ²	8.6 @ 5533
R3500	5.7L V8 F/I	63-1007-1 ²	6.7 @ 4107			63-1126P ²	8.6 @ 5533
R3500	7.4L V8 F/I	63-1007-1 ²	6.7 @ 4107	XL883N Iron	54 CI	63-1126 ²	8.6 @ 5533
S15 Jimmy	4.3L V6 F/I	57-3028 ¹				63-1126P ²	8.6 @ 5533
S15 Pickup	4.3L V6 F/I	57-3028 ¹		XL1200C Sportster Custom	74 CI	63-1126 ²	8.6 @ 5533
V1500 Suburban	5.7L V8 F/I	63-1007-1 ²	6.7 @ 4107			63-1126P ²	8.6 @ 5533
V2500 Suburban	5.7L V8 F/I	63-1007-1 ²	6.7 @ 4107	XL1200T SuperLow	74 CI	63-1126 ²	8.6 @ 5533
V3500	5.7L V8 F/I	63-1007-1 ²	6.7 @ 4107			63-1126P ²	8.6 @ 5533
V3500	7.4L V8 F/I	63-1007-1 ²	6.7 @ 4107			63-1126 ²	8.6 @ 5533
2016 HARLEY DAVIDSON				2015 HARLEY DAVIDSON			
FLHR Road King	103 CI - Exc. Lower Fairings	63-1122 ² 63-1122P ²	12.9 @ 4612 12.9 @ 4612	XL1200V Seventy-Two	74 CI	63-1126 ²	8.6 @ 5533
FLHXS Street Glide Special	103 CI - Exc. Lower Fairings	63-1122 ² 63-1122P ²	12.9 @ 4612 12.9 @ 4612			63-1126P ²	8.6 @ 5533
FLRT Freewheeler	103 CI - Exc. Lower Fairings	63-1122 ² 63-1122P ²	12.9 @ 4612 12.9 @ 4612	FLD Dyna Switchback	103 CI - Exc. Lower Fairings	63-1125P ²	7.8 @ 4953
FLS Softail Slim	103 CI - Exc. Lower Fairings	63-1122 ² 63-1122P ²	12.9 @ 4612 12.9 @ 4612	FLHR Road King	103 CI - Exc. Lower Fairings	63-1122 ²	12.9 @ 4612
FLSS Softail Slim S	110 CI - Exc. Lower Fairings	63-1122 ² 63-1122P ²	12.9 @ 4612 12.9 @ 4612	FLHR Road King	103 CI - w/Lower Fairings	63-1131 ²	6.8 @ 4388
FLSTC Heritage Softail Classic	103 CI - Exc. Lower Fairings	63-1122 ² 63-1122P ²	12.9 @ 4612 12.9 @ 4612	FLHTCU Electra Glide Ultra Classic	103 CI - w/Lower Fairings	63-1131P ²	6.8 @ 4388
FLSTF Fat Boy	103 CI - Exc. Lower Fairings	63-1122 ² 63-1122P ²	12.9 @ 4612 12.9 @ 4612	FLHTCUL Electra Glide Ultra Classic Low	103 CI - w/Lower Fairings	63-1131 ²	6.8 @ 4388
FLSTFB Softail Fat Boy Lo	103 CI - Exc. Lower Fairings	63-1122 ² 63-1122P ²	12.9 @ 4612 12.9 @ 4612	FLHTCUTG Tri Glide Ultra	103 CI - w/Lower Fairings	63-1131P ²	6.8 @ 4388
FLSTFBS Fat Boy S	110 CI - Exc. Lower Fairings	63-1122 ² 63-1122P ²	12.9 @ 4612 12.9 @ 4612	FLHTK Ultra Limited	103 CI - w/Lower Fairings	63-1131 ²	6.8 @ 4388
FLSTN Softail Deluxe	103 CI - Exc. Lower Fairings	63-1122 ² 63-1122P ²	12.9 @ 4612 12.9 @ 4612	FLHTKL Ultra Limited Low	103 CI - w/Lower Fairings	63-1131P ²	6.8 @ 4388
FLTRX Road Glide	103 CI - Exc. Lower Fairings	63-1122 ² 63-1122P ²	12.9 @ 4612 12.9 @ 4612	FLHX Street Glide	103 CI - Exc. Lower Fairings	63-1122 ²	12.9 @ 4612
FLTRXS Road Glide Special	103 CI - Exc. Lower Fairings	63-1122 ²	12.9 @ 4612	FLHX Street Glide	103 CI - w/Lower Fairings	63-1131 ²	6.8 @ 4388

1) Street legal in all US states. 2) Not legal for sale or use on any pollution controlled motor vehicle in California or states adopting California emission procedures.

* Estimated horsepower gains are based on specific or similar vehicle dyno tests. Results will vary. See Page 478 for more information. Partial Listing - Complete List of Vehicles and Applications at knfilters.com. See page 5 for information on intake tube materials/colors.

HARLEY DAVIDSON AIR INTAKE SYSTEMS

Vehicle	Engine Type	Part Number	Estimated Horsepower*	Vehicle	Engine Type	Part Number	Estimated Horsepower*
2015 HARLEY DAVIDSON				2015 HARLEY DAVIDSON			
FLHX Street Glide	103 CI - w/Lower Fairings	63-1131P ²	6.8 @ 4388	FXDL Dyna Low Rider	103 CI - Exc. Lower Fairings	63-1125P ²	7.8 @ 4953
FLHXS Street Glide Special	103 CI - Exc. Lower Fairings	63-1122 ²	12.9 @ 4612	FXDWG Dyna Wide Glide	103 CI - Exc. Lower Fairings	63-1125 ²	7.8 @ 4953
		63-1122P ²	12.9 @ 4612			63-1125P ²	7.8 @ 4953
FLHXS Street Glide Special	103 CI - w/Lower Fairings	63-1131 ²	6.8 @ 4388	FXSB Breakout	103 CI - Exc. Lower Fairings	63-1125 ²	7.8 @ 4953
		63-1131P ²	6.8 @ 4388			63-1125P ²	7.8 @ 4953
FLRT Freewheeler	103 CI - Exc. Lower Fairings	63-1122 ²	12.9 @ 4612	XG500 Street	30 CI	63-1130 ²	
		63-1122P ²	12.9 @ 4612	XG750 Street	46 CI	63-1130 ²	
FLRT Freewheeler	103 CI - w/Lower Fairings	63-1131 ²	6.8 @ 4388	XL883L SuperLow	54 CI	63-1126 ²	8.6 @ 5533
		63-1131P ²	6.8 @ 4388			63-1126P ²	8.6 @ 5533
FLS Softail Slim	103 CI - Exc. Lower Fairings	63-1125 ²	7.8 @ 4953	XL883N Iron	54 CI	63-1126 ²	8.6 @ 5533
		63-1125P ²	7.8 @ 4953			63-1126P ²	8.6 @ 5533
FLSTC Heritage Softail Classic	103 CI - Exc. Lower Fairings	63-1125 ²	7.8 @ 4953	2014 HARLEY DAVIDSON			
		63-1125P ²	7.8 @ 4953	FLD Dyna Switchback	103 CI - Exc. Lower Fairings	63-1125 ²	7.8 @ 4953
FLSTF Fat Boy	103 CI - Exc. Lower Fairings	63-1125 ²	7.8 @ 4953			63-1125P ²	7.8 @ 4953
		63-1125P ²	7.8 @ 4953	FLHR Road King	103 CI - Exc. Lower Fairings	63-1122 ²	12.9 @ 4612
FLSTFB Softail Fat Boy Lo	103 CI - Exc. Lower Fairings	63-1125 ²	7.8 @ 4953			63-1122P ²	12.9 @ 4612
		63-1125P ²	7.8 @ 4953	FLHR Road King	103 CI - w/Lower Fairings	63-1131 ²	6.8 @ 4388
FLSTN Softail Deluxe	103 CI - Exc. Lower Fairings	63-1125 ²	7.8 @ 4953			63-1131P ²	6.8 @ 4388
		63-1125P ²	7.8 @ 4953	FLHTCU Electra Glide Ultra Classic	103 CI - w/Lower Fairings	63-1131 ²	6.8 @ 4388
FLTRX Road Glide	103 CI - Exc. Lower Fairings	63-1122 ²	12.9 @ 4612			63-1131P ²	6.8 @ 4388
		63-1122P ²	12.9 @ 4612	FLHTCUTG Tri Glide Ultra	103 CI - w/Lower Fairings	63-1131 ²	6.8 @ 4388
FLTRX Road Glide	103 CI - w/Lower Fairings	63-1131 ²	6.8 @ 4388			63-1131P ²	6.8 @ 4388
		63-1131P ²	6.8 @ 4388	FLHTK Electra Glide Ultra Limited	103 CI - w/Lower Fairings	63-1131 ²	6.8 @ 4388
FLTRXS Road Glide Special	103 CI - Exc. Lower Fairings	63-1122 ²	12.9 @ 4612			63-1131P ²	6.8 @ 4388
		63-1122P ²	12.9 @ 4612	FLHX Street Glide	103 CI - Exc. Lower Fairings	63-1122 ²	12.9 @ 4612
FLTRXS Road Glide Special	103 CI - w/Lower Fairings	63-1131 ²	6.8 @ 4388			63-1122P ²	12.9 @ 4612
		63-1131P ²	6.8 @ 4388	FLHX Street Glide	103 CI - w/Lower Fairings	63-1131 ²	6.8 @ 4388
FXDB Dyna Street Bob	103 CI - Exc. Lower Fairings	63-1125 ²	7.8 @ 4953			63-1131P ²	6.8 @ 4388
		63-1125P ²	7.8 @ 4953	FLHXS Street Glide Special	103 CI - Exc. Lower Fairings	63-1122 ²	12.9 @ 4612
FXDF Fat Bob	103 CI - Exc. Lower Fairings	63-1125 ²	7.8 @ 4953			63-1122P ²	12.9 @ 4612
		63-1125P ²	7.8 @ 4953	FLS Softail Slim	103 CI - Exc. Lower Fairings	63-1125 ²	7.8 @ 4953
FXDL Dyna Low Rider	103 CI - Exc. Lower Fairings	63-1125 ²	7.8 @ 4953			63-1125P ²	7.8 @ 4953
				FLSTC Heritage Softail Classic	103 CI - Exc. Lower Fairings	63-1125 ²	7.8 @ 4953
						63-1125P ²	7.8 @ 4953
				FLSTF Fat Boy	103 CI - Exc. Lower Fairings	63-1125 ²	7.8 @ 4953

1) Street legal in all US states. 2) Not legal for sale or use on any pollution controlled motor vehicle in California or states adopting California emission procedures.

* Estimated horsepower gains are based on specific or similar vehicle dyno tests. Results will vary. See Page 478 for more information. Partial Listing - Complete List of Vehicles and Applications at knfilters.com. See page 5 for information on intake tube materials/colors.

AIR INTAKE SYSTEMS HARLEY DAVIDSON

Vehicle	Engine Type	Part Number	Estimated Horsepower*	Vehicle	Engine Type	Part Number	Estimated Horsepower*
2014 HARLEY DAVIDSON				2013 HARLEY DAVIDSON			
FLSTF Fat Boy	103 CI - Exc. Lower Fairings	63-1125P ²	7.8 @ 4953	FLHRC Road King Classic	103 CI - Exc. Lower Fairings	63-1122 ²	12.9 @ 4612
FLSTFB Softail Fat Boy Lo	103 CI - Exc. Lower Fairings	63-1125 ²	7.8 @ 4953			63-1122P ²	12.9 @ 4612
		63-1125P ²	7.8 @ 4953	FLHRC Road King Classic	103 CI - w/Lower Fairings	63-1131 ²	6.8 @ 4388
FLSTN Softail Deluxe	103 CI - Exc. Lower Fairings	63-1125 ²	7.8 @ 4953			63-1131P ²	6.8 @ 4388
		63-1125P ²	7.8 @ 4953	FLHTC Electra Glide Classic	103 CI - Exc. Lower Fairings	63-1122 ²	12.9 @ 4612
FXDB Dyna Street Bob	103 CI - Exc. Lower Fairings	63-1125 ²	7.8 @ 4953			63-1122P ²	12.9 @ 4612
		63-1125P ²	7.8 @ 4953	FLHTC Electra Glide Classic	103 CI - w/Lower Fairings	63-1131 ²	6.8 @ 4388
FXDC Dyna Super Glide Custom	103 CI - Exc. Lower Fairings	63-1125 ²	7.8 @ 4953			63-1131P ²	6.8 @ 4388
		63-1125P ²	7.8 @ 4953	FLHTCU Ultra Classic Electra Glide	103 CI - w/Lower Fairings	63-1131 ²	6.8 @ 4388
FXDF Fat Bob	103 CI - Exc. Lower Fairings	63-1125 ²	7.8 @ 4953			63-1131P ²	6.8 @ 4388
		63-1125P ²	7.8 @ 4953	FLHTCUTG Tri Glide Ultra Classic	103 CI - w/Lower Fairings	63-1131 ²	6.8 @ 4388
FXDL Dyna Low Rider	103 CI - Exc. Lower Fairings	63-1125 ²	7.8 @ 4953			63-1131P ²	6.8 @ 4388
		63-1125P ²	7.8 @ 4953	FLHTK Electra Glide Ultra Limited	103 CI - w/Lower Fairings	63-1131 ²	6.8 @ 4388
FXDWG Dyna Wide Glide	103 CI - Exc. Lower Fairings	63-1125 ²	7.8 @ 4953			63-1131P ²	6.8 @ 4388
		63-1125P ²	7.8 @ 4953	FLHX Street Glide	103 CI - Exc. Lower Fairings	63-1122 ²	12.9 @ 4612
FXSB Breakout	103 CI - Exc. Lower Fairings	63-1125 ²	7.8 @ 4953			63-1122P ²	12.9 @ 4612
		63-1125P ²	7.8 @ 4953	FLHX Street Glide	103 CI - w/Lower Fairings	63-1131 ²	6.8 @ 4388
XL883L SuperLow	54 CI	63-1126 ²	8.6 @ 5533			63-1131P ²	6.8 @ 4388
		63-1126P ²	8.6 @ 5533	FLS Softail Slim	103 CI - Exc. Lower Fairings	63-1125 ²	7.8 @ 4953
XL883N Iron	54 CI	63-1126 ²	8.6 @ 5533			63-1125P ²	7.8 @ 4953
		63-1126P ²	8.6 @ 5533	FLSTC Heritage Softail Classic	103 CI - Exc. Lower Fairings	63-1125 ²	7.8 @ 4953
XL1200C Sportster Custom	74 CI	63-1126 ²	8.6 @ 5533			63-1125P ²	7.8 @ 4953
		63-1126P ²	8.6 @ 5533	FLSTF Fat Boy	103 CI - Exc. Lower Fairings	63-1125 ²	7.8 @ 4953
XL1200V Seventy-Two	74 CI	63-1126 ²	8.6 @ 5533			63-1125P ²	7.8 @ 4953
		63-1126P ²	8.6 @ 5533	FLSTFB Softail Fat Boy Lo	103 CI - Exc. Lower Fairings	63-1125 ²	7.8 @ 4953
XL1200X Forty-Eight	74 CI	63-1126 ²	8.6 @ 5533			63-1125P ²	7.8 @ 4953
		63-1126P ²	8.6 @ 5533	FLSTN Softail Deluxe	103 CI - Exc. Lower Fairings	63-1125 ²	7.8 @ 4953
2013 HARLEY DAVIDSON						63-1125P ²	7.8 @ 4953
FLD Dyna Switchback	103 CI - Exc. Lower Fairings	63-1125 ²	7.8 @ 4953			63-1125P ²	7.8 @ 4953
		63-1125P ²	7.8 @ 4953	FLTRU Road Glide Ultra	103 CI - w/Lower Fairings	63-1131 ²	6.8 @ 4388
FLHR Road King	103 CI - Exc. Lower Fairings	63-1122 ²	12.9 @ 4612			63-1131P ²	6.8 @ 4388
		63-1122P ²	12.9 @ 4612				
FLHR Road King	103 CI - w/Lower Fairings	63-1131 ²	6.8 @ 4388				
		63-1131P ²	6.8 @ 4388				

1) Street legal in all US states. 2) Not legal for sale or use on any pollution controlled motor vehicle in California or states adopting California emission procedures.

* Estimated horsepower gains are based on specific or similar vehicle dyno tests. Results will vary. See Page 478 for more information. Partial Listing - Complete List of Vehicles and Applications at knfilters.com. See page 5 for information on intake tube materials/colors.

HARLEY DAVIDSON AIR INTAKE SYSTEMS

Vehicle	Engine Type	Part Number	Estimated Horsepower*	Vehicle	Engine Type	Part Number	Estimated Horsepower*
2013 HARLEY DAVIDSON				2012 HARLEY DAVIDSON			
FLTRX Road Glide Custom	103 CI - Exc. Lower Fairings	63-1122 ²	12.9 @ 4612	FLHRC Road King Classic	103 CI - Exc. Lower Fairings	63-1122P ²	12.9 @ 4612
		63-1122P ²	12.9 @ 4612			FLHTC Electra Glide Classic	103 CI - Exc. Lower Fairings
FLTRX Road Glide Custom	103 CI - w/Lower Fairings	63-1131 ²	6.8 @ 4388	FLHTC Electra Glide Classic	103 CI - w/Lower Fairings		
		63-1131P ²	6.8 @ 4388			FLHTCU Electra Glide Ultra Classic	103 CI - w/Lower Fairings
FXDB Dyna Street Bob	96 CI - Exc. Lower Fairings	63-1125 ²	7.8 @ 4953	FLHTCUTG Tri Glide Ultra Classic	103 CI - w/Lower Fairings		
		63-1125P ²	7.8 @ 4953			FLHTK Electra Glide Ultra Limited	103 CI - w/Lower Fairings
FXDC Dyna Super Glide Custom	96 CI - Exc. Lower Fairings	63-1125 ²	7.8 @ 4953	FLHTK Electra Glide Ultra Limited	103 CI - w/Lower Fairings		
		63-1125P ²	7.8 @ 4953			FLHTP Electra Glide Police	103 CI - Exc. Lower Fairings
FXDC Super Glide Custom	96 CI - Exc. Lower Fairings	63-1125 ²	7.8 @ 4953	FLHX Street Glide	103 CI - Exc. Lower Fairings		
		63-1125P ²	7.8 @ 4953			FLHX Street Glide	103 CI - w/Lower Fairings
FXDF Fat Bob	103 CI - Exc. Lower Fairings	63-1125 ²	7.8 @ 4953	FLSTC Heritage Softail Classic	103 CI - Exc. Lower Fairings		
		63-1125P ²	7.8 @ 4953			FLSTF Fat Boy	103 CI - Exc. Lower Fairings
FXDWG Dyna Wide Glide	103 CI - Exc. Lower Fairings	63-1125 ²	7.8 @ 4953	FLSTFB Softail Fat Boy Lo	103 CI - Exc. Lower Fairings		
		63-1125P ²	7.8 @ 4953			FLSTN Softail Deluxe	103 CI - Exc. Lower Fairings
FXS Blackline	103 CI - Exc. Lower Fairings	63-1125 ²	7.8 @ 4953	FLTRU Road Glide Ultra	103 CI - w/Lower Fairings		
		63-1125P ²	7.8 @ 4953			FLTRX Road Glide Custom	103 CI - Exc. Lower Fairings
XL883L SuperLow	54 CI	63-1126 ²	8.6 @ 5533	FLTRX Road Glide Custom	103 CI - w/Lower Fairings		
		63-1126P ²	8.6 @ 5533			FLTRX Road Glide Custom	103 CI - w/Lower Fairings
XL883N Iron	54 CI	63-1126 ²	8.6 @ 5533	FLTRX Road Glide Custom	103 CI - w/Lower Fairings		
		63-1126P ²	8.6 @ 5533			FLTRX Road Glide Custom	103 CI - w/Lower Fairings
XL1200C Sportster Custom	74 CI	63-1126 ²	8.6 @ 5533	FLTRX Road Glide Custom	103 CI - w/Lower Fairings		
		63-1126P ²	8.6 @ 5533			FLTRX Road Glide Custom	103 CI - w/Lower Fairings
XL1200V Seventy-Two	74 CI	63-1126 ²	8.6 @ 5533	FLTRX Road Glide Custom	103 CI - w/Lower Fairings		
		63-1126P ²	8.6 @ 5533			FLTRX Road Glide Custom	103 CI - w/Lower Fairings
XL1200X Forty-Eight	74 CI	63-1126 ²	8.6 @ 5533	FLTRX Road Glide Custom	103 CI - w/Lower Fairings		
		63-1126P ²	8.6 @ 5533			FLTRX Road Glide Custom	103 CI - w/Lower Fairings
2012 HARLEY DAVIDSON				2012 HARLEY DAVIDSON			
FLHP Road King Police	103 CI - Exc. Lower Fairings	63-1122 ²	12.9 @ 4612	FLTRU Road Glide Ultra	103 CI - w/Lower Fairings	63-1131 ²	6.8 @ 4388
		63-1122P ²	12.9 @ 4612			FLTRX Road Glide Custom	103 CI - Exc. Lower Fairings
FLHR Road King	103 CI - Exc. Lower Fairings	63-1122 ²	12.9 @ 4612	FLTRX Road Glide Custom	103 CI - Exc. Lower Fairings		
		63-1122P ²	12.9 @ 4612			FLTRX Road Glide Custom	103 CI - w/Lower Fairings
FLHR Road King	103 CI - w/Lower Fairings	63-1131 ²	6.8 @ 4388	FLTRX Road Glide Custom	103 CI - w/Lower Fairings		
		63-1131P ²	6.8 @ 4388			FLTRX Road Glide Custom	103 CI - w/Lower Fairings
FLHRC Road King Classic	103 CI - Exc. Lower Fairings	63-1122 ²	12.9 @ 4612	FLTRX Road Glide Custom	103 CI - w/Lower Fairings		
		63-1122P ²	12.9 @ 4612			FLTRX Road Glide Custom	103 CI - w/Lower Fairings

1) Street legal in all US states. 2) Not legal for sale or use on any pollution controlled motor vehicle in California or states adopting California emission procedures.

* Estimated horsepower gains are based on specific or similar vehicle dyno tests. Results will vary. See Page 478 for more information. Partial Listing - Complete List of Vehicles and Applications at knfilters.com. See page 5 for information on intake tube materials/colors.

AIR INTAKE SYSTEMS HARLEY DAVIDSON

Vehicle	Engine Type	Part Number	Estimated Horsepower*	Vehicle	Engine Type	Part Number	Estimated Horsepower*
2012 HARLEY DAVIDSON				2011 HARLEY DAVIDSON			
FXDB Dyna Street Bob	96 CI - Exc. Lower Fairings	63-1125 ²	7.8 @ 4953	FLHRC Road King Classic	103 CI - w/Lower Fairings	63-1131P ²	6.8 @ 4388
		63-1125P ²	7.8 @ 4953	FLHTC Electra Glide Classic	96 CI - Exc. Lower Fairings	63-1122 ²	12.9 @ 4612
FXDC Dyna Super Glide Custom	96 CI - Exc. Lower Fairings	63-1125 ²	7.8 @ 4953			63-1122P ²	12.9 @ 4612
		63-1125P ²	7.8 @ 4953	FLHTC Electra Glide Classic	96 CI - w/Lower Fairings	63-1131 ²	6.8 @ 4388
FXDF Fat Bob	103 CI - Exc. Lower Fairings	63-1125 ²	7.8 @ 4953			63-1131P ²	6.8 @ 4388
		63-1125P ²	7.8 @ 4953	FLHTCU Ultra Classic Electra Glide	96 CI - w/Lower Fairings	63-1131 ²	6.8 @ 4388
FXDWG Dyna Wide Glide	103 CI - Exc. Lower Fairings	63-1125 ²	7.8 @ 4953			63-1131P ²	6.8 @ 4388
		63-1125P ²	7.8 @ 4953	FLHTCUTG Tri Glide Ultra Classic	103 CI - w/Lower Fairings	63-1131 ²	6.8 @ 4388
FXS Blackline	103 CI - Exc. Lower Fairings	63-1125 ²	7.8 @ 4953			63-1131P ²	6.8 @ 4388
		63-1125P ²	7.8 @ 4953	FLHTK Electra Glide Ultra Limited	103 CI - w/Lower Fairings	63-1131 ²	6.8 @ 4388
XL883L SuperLow	54 CI	63-1126 ²	8.6 @ 5533			63-1131P ²	6.8 @ 4388
		63-1126P ²	8.6 @ 5533	FLHTP Electra Glide Police	103 CI - Exc. Lower Fairings	63-1122 ²	12.9 @ 4612
XL883N Iron	54 CI	63-1126 ²	8.6 @ 5533			63-1122P ²	12.9 @ 4612
		63-1126P ²	8.6 @ 5533	FLHTP Electra Glide Police	103 CI - w/Lower Fairings	63-1131 ²	6.8 @ 4388
XL1200C Sportster Custom	74 CI	63-1126 ²	8.6 @ 5533			63-1131P ²	6.8 @ 4388
		63-1126P ²	8.6 @ 5533	FLHX Street Glide	96 CI - Exc. Lower Fairings	63-1122 ²	12.9 @ 4612
XL1200N Sportster Nightster	74 CI	63-1126 ²	8.6 @ 5533			63-1122P ²	12.9 @ 4612
		63-1126P ²	8.6 @ 5533	FLHX Street Glide	96 CI - w/Lower Fairings	63-1131 ²	6.8 @ 4388
XL1200V Seventy-Two	74 CI	63-1126 ²	8.6 @ 5533			63-1131P ²	6.8 @ 4388
		63-1126P ²	8.6 @ 5533	FLHXXX Street Glide Trike	103 CI - w/Lower Fairings	63-1131 ²	6.8 @ 4388
XL1200X Forty-Eight	74 CI	63-1126 ²	8.6 @ 5533			63-1131P ²	6.8 @ 4388
		63-1126P ²	8.6 @ 5533	FLSTC Heritage Softail Classic	96 CI - Exc. Lower Fairings	63-1125 ²	7.8 @ 4953
2011 HARLEY DAVIDSON						63-1125P ²	7.8 @ 4953
FLHP Road King Police	103 CI - Exc. Lower Fairings	63-1122 ²	12.9 @ 4612			63-1125 ²	7.8 @ 4953
		63-1122P ²	12.9 @ 4612	FLSTF Fat Boy	96 CI - Exc. Lower Fairings	63-1125 ²	7.8 @ 4953
FLHP Road King Police	103 CI - w/Lower Fairings	63-1131 ²	6.8 @ 4388			63-1125P ²	7.8 @ 4953
		63-1131P ²	6.8 @ 4388	FLSTFB Softail Fat Boy Lo	96 CI - Exc. Lower Fairings	63-1125 ²	7.8 @ 4953
FLHR Road King	96 CI - Exc. Lower Fairings	63-1122 ²	12.9 @ 4612			63-1125P ²	7.8 @ 4953
		63-1122P ²	12.9 @ 4612	FLSTN Softail Deluxe	96 CI - Exc. Lower Fairings	63-1125 ²	7.8 @ 4953
FLHR Road King	96 CI - w/Lower Fairings	63-1131 ²	6.8 @ 4388			63-1125P ²	7.8 @ 4953
		63-1131P ²	6.8 @ 4388	FLSTSB Softail Cross Bones	96 CI - Exc. Lower Fairings	63-1125 ²	7.8 @ 4953
FLHRC Road King Classic	103 CI - Exc. Lower Fairings	63-1122 ²	12.9 @ 4612				
		63-1122P ²	12.9 @ 4612				
FLHRC Road King Classic	103 CI - w/Lower Fairings	63-1131 ²	6.8 @ 4388				

1) Street legal in all US states. 2) Not legal for sale or use on any pollution controlled motor vehicle in California or states adopting California emission procedures.

* Estimated horsepower gains are based on specific or similar vehicle dyno tests. Results will vary. See Page 478 for more information. Partial Listing - Complete List of Vehicles and Applications at knfilters.com. See page 5 for information on intake tube materials/colors.

HARLEY DAVIDSON AIR INTAKE SYSTEMS

Vehicle	Engine Type	Part Number	Estimated Horsepower*	Vehicle	Engine Type	Part Number	Estimated Horsepower*
2011 HARLEY DAVIDSON				2010 HARLEY DAVIDSON			
FLTSTB Softail Cross Bones	96 CI - Exc. Lower Fairings	63-1125P ²	7.8 @ 4953	FLHP Road King Police	103 CI - w/Lower Fairings	63-1131P ²	6.8 @ 4388
FLTRU Road Glide Ultra	103 CI - w/Lower Fairings	63-1131P ²	6.8 @ 4388			63-1131P ²	6.8 @ 4388
		63-1131P ²	6.8 @ 4388	FLHR Road King	96 CI - Exc. Lower Fairings	63-1122P ²	12.9 @ 4612
FLTRX Road Glide Custom	96 CI - Exc. Lower Fairings	63-1122P ²	12.9 @ 4612			63-1122P ²	12.9 @ 4612
		63-1122P ²	12.9 @ 4612	FLHR Road King	96 CI - w/Lower Fairings	63-1131P ²	6.8 @ 4388
		63-1131P ²	6.8 @ 4388			63-1131P ²	6.8 @ 4388
FLTRX Road Glide Custom	96 CI - w/Lower Fairings	63-1131P ²	6.8 @ 4388	FLHRC Road King Classic	96 CI - Exc. Lower Fairings	63-1122P ²	12.9 @ 4612
		63-1131P ²	6.8 @ 4388			63-1122P ²	12.9 @ 4612
FXCWC Rocker C	96 CI - Exc. Lower Fairings	63-1125P ²	7.8 @ 4953	FLHRC Road King Classic	96 CI - w/Lower Fairings	63-1131P ²	6.8 @ 4388
		63-1125P ²	7.8 @ 4953			63-1131P ²	6.8 @ 4388
FXDB Dyna Street Bob	96 CI - Exc. Lower Fairings	63-1125P ²	7.8 @ 4953	FLHT Electra Glide Standard	96 CI - Exc. Lower Fairings	63-1122P ²	12.9 @ 4612
		63-1125P ²	7.8 @ 4953			63-1122P ²	12.9 @ 4612
FXDC Dyna Super Glide Custom	96 CI - Exc. Lower Fairings	63-1125P ²	7.8 @ 4953	FLHTC Electra Glide Classic	96 CI - Exc. Lower Fairings	63-1122P ²	12.9 @ 4612
		63-1125P ²	7.8 @ 4953			63-1122P ²	12.9 @ 4612
FXDF Fat Bob	96 CI - Exc. Lower Fairings	63-1125P ²	7.8 @ 4953	FLHTC Electra Glide Classic	96 CI - w/Lower Fairings	63-1131P ²	6.8 @ 4388
		63-1125P ²	7.8 @ 4953			63-1131P ²	6.8 @ 4388
FXDWG Dyna Wide Glide	96 CI - Exc. Lower Fairings	63-1125P ²	7.8 @ 4953	FLHTCU Ultra Classic Electra Glide	96 CI - w/Lower Fairings	63-1131P ²	6.8 @ 4388
		63-1125P ²	7.8 @ 4953			63-1131P ²	6.8 @ 4388
FXS Blackline	103 CI - Exc. Lower Fairings	63-1125P ²	7.8 @ 4953			63-1131P ²	6.8 @ 4388
		63-1125P ²	7.8 @ 4953	FLHTCUTG Tri Glide Ultra Classic	103 CI - w/Lower Fairings	63-1131P ²	6.8 @ 4388
XL883L SuperLow	54 CI	63-1126P ²	8.6 @ 5533			63-1131P ²	6.8 @ 4388
		63-1126P ²	8.6 @ 5533			63-1131P ²	6.8 @ 4388
XL883N Iron	54 CI	63-1126P ²	8.6 @ 5533	FLHTK Electra Glide Ultra Limited	103 CI - w/Lower Fairings	63-1131P ²	6.8 @ 4388
		63-1126P ²	8.6 @ 5533			63-1131P ²	6.8 @ 4388
XL1200C Sportster Custom	74 CI	63-1126P ²	8.6 @ 5533	FLHTP Electra Glide Police	103 CI - Exc. Lower Fairings	63-1122P ²	12.9 @ 4612
		63-1126P ²	8.6 @ 5533			63-1122P ²	12.9 @ 4612
XL1200L Sportster Low	74 CI	63-1126P ²	8.6 @ 5533	FLHTP Electra Glide Police	103 CI - w/Lower Fairings	63-1131P ²	6.8 @ 4388
		63-1126P ²	8.6 @ 5533			63-1131P ²	6.8 @ 4388
XL1200N Sportster Nightster	74 CI	63-1126P ²	8.6 @ 5533	FLHX Street Glide	96 CI - Exc. Lower Fairings	63-1122P ²	12.9 @ 4612
		63-1126P ²	8.6 @ 5533			63-1122P ²	12.9 @ 4612
XL1200X Forty-Eight	74 CI	63-1126P ²	8.6 @ 5533	FLHX Street Glide	96 CI - w/Lower Fairings	63-1131P ²	6.8 @ 4388
		63-1126P ²	8.6 @ 5533			63-1131P ²	6.8 @ 4388
2010 HARLEY DAVIDSON							
FLHP Road King Police	103 CI - Exc. Lower Fairings	63-1122P ²	12.9 @ 4612				
		63-1122P ²	12.9 @ 4612				

1) Street legal in all US states. 2) Not legal for sale or use on any pollution controlled motor vehicle in California or states adopting California emission procedures.

* Estimated horsepower gains are based on specific or similar vehicle dyno tests. Results will vary. See Page 478 for more information. Partial Listing - Complete List of Vehicles and Applications at knfilters.com. See page 5 for information on intake tube materials/colors.

AIR INTAKE SYSTEMS HARLEY DAVIDSON

Vehicle	Engine Type	Part Number	Estimated Horsepower*	Vehicle	Engine Type	Part Number	Estimated Horsepower*
2010 HARLEY DAVIDSON				2010 HARLEY DAVIDSON			
FLHXXX Street Glide Trike	103 CI - w/Lower Fairings	63-1131P ²	6.8 @ 4388	FXSTC Softail Custom	96 CI - Exc. Lower Fairings	63-1125P ²	7.8 @ 4953
		63-1131 ²	6.8 @ 4388			63-1125 ²	7.8 @ 4953
FLSTC Heritage Softail Classic	96 CI - Exc. Lower Fairings	63-1125P ²	7.8 @ 4953	XL883C Sportster Custom	54 CI	63-1126P ²	8.6 @ 5533
		63-1125 ²	7.8 @ 4953			63-1126 ²	8.6 @ 5533
FLSTF Fat Boy	96 CI - Exc. Lower Fairings	63-1125P ²	7.8 @ 4953	XL883L Sportster Low	54 CI	63-1126P ²	8.6 @ 5533
		63-1125 ²	7.8 @ 4953			63-1126 ²	8.6 @ 5533
FLSTFB Softail Fat Boy Lo	96 CI - Exc. Lower Fairings	63-1125P ²	7.8 @ 4953	XL883N Iron	54 CI	63-1126P ²	8.6 @ 5533
		63-1125 ²	7.8 @ 4953			63-1126 ²	8.6 @ 5533
FLSTN Softail Deluxe	96 CI - Exc. Lower Fairings	63-1125P ²	7.8 @ 4953	XL1200C Sportster Custom	74 CI	63-1126P ²	8.6 @ 5533
		63-1125 ²	7.8 @ 4953			63-1126 ²	8.6 @ 5533
FLSTSB Softail Cross Bones	96 CI - Exc. Lower Fairings	63-1125P ²	7.8 @ 4953	XL1200L Sportster Low	74 CI	63-1126P ²	8.6 @ 5533
		63-1125 ²	7.8 @ 4953			63-1126 ²	8.6 @ 5533
FLTR Road Glide	96 CI - Exc. Lower Fairings	63-1122P ²	12.9 @ 4612	XL1200N Sportster Nightster	74 CI	63-1126P ²	8.6 @ 5533
		63-1122 ²	12.9 @ 4612			63-1126 ²	8.6 @ 5533
FLTRX Road Glide Custom	96 CI - Exc. Lower Fairings	63-1122P ²	12.9 @ 4612	XL1200X Forty-Eight	74 CI	63-1126P ²	8.6 @ 5533
		63-1122 ²	12.9 @ 4612			63-1126 ²	8.6 @ 5533
FLTRX Road Glide Custom	96 CI - w/Lower Fairings	63-1131P ²	6.8 @ 4388	2009 HARLEY DAVIDSON			
		63-1131 ²	6.8 @ 4388	FLHP Road King Police	103 CI - Exc. Lower Fairings	63-1122P ²	12.9 @ 4612
FXCWC Rocker C	96 CI - Exc. Lower Fairings	63-1125P ²	7.8 @ 4953			63-1122 ²	12.9 @ 4612
		63-1125 ²	7.8 @ 4953	FLHP Road King Police	103 CI - w/Lower Fairings	63-1131P ²	6.8 @ 4388
FXD Dyna Super Glide	96 CI - Exc. Lower Fairings	63-1125P ²	7.8 @ 4953			63-1131 ²	6.8 @ 4388
		63-1125 ²	7.8 @ 4953	FLHR Road King	96 CI - Exc. Lower Fairings	63-1122P ²	12.9 @ 4612
FXDB Dyna Street Bob	96 CI - Exc. Lower Fairings	63-1125P ²	7.8 @ 4953			63-1122 ²	12.9 @ 4612
		63-1125 ²	7.8 @ 4953	FLHR Road King	96 CI - w/Lower Fairings	63-1131P ²	6.8 @ 4388
FXDC Dyna Super Glide Custom	96 CI - Exc. Lower Fairings	63-1125P ²	7.8 @ 4953			63-1131 ²	6.8 @ 4388
		63-1125 ²	7.8 @ 4953	FLHRC Road King Classic	96 CI - Exc. Lower Fairings	63-1122P ²	12.9 @ 4612
FXDF Fat Bob	96 CI - Exc. Lower Fairings	63-1125P ²	7.8 @ 4953			63-1122 ²	12.9 @ 4612
		63-1125 ²	7.8 @ 4953	FLHRC Road King Classic	96 CI - w/Lower Fairings	63-1131P ²	6.8 @ 4388
FXDWG Dyna Wide Glide	96 CI - Exc. Lower Fairings	63-1125P ²	7.8 @ 4953			63-1131 ²	6.8 @ 4388
		63-1125 ²	7.8 @ 4953	FLHT Electra Glide Standard	96 CI - Exc. Lower Fairings	63-1122P ²	12.9 @ 4612
FXSTB Night Train	96 CI - Exc. Lower Fairings	63-1125P ²	7.8 @ 4953			63-1122 ²	12.9 @ 4612
		63-1125 ²	7.8 @ 4953	FLHT Electra Glide Standard	96 CI - w/Lower Fairings	63-1131P ²	6.8 @ 4388
						63-1131 ²	6.8 @ 4388

1) Street legal in all US states. 2) Not legal for sale or use on any pollution controlled motor vehicle in California or states adopting California emission procedures.

* Estimated horsepower gains are based on specific or similar vehicle dyno tests. Results will vary. See Page 478 for more information. Partial Listing - Complete List of Vehicles and Applications at knfilters.com. See page 5 for information on intake tube materials/colors.

HARLEY DAVIDSON AIR INTAKE SYSTEMS

Vehicle	Engine Type	Part Number	Estimated Horsepower*	Vehicle	Engine Type	Part Number	Estimated Horsepower*
2009 HARLEY DAVIDSON				2009 HARLEY DAVIDSON			
FLHTC Electra Glide Classic	96 CI - Exc. Lower Fairings	63-1122P ²	12.9 @ 4612	FXD Dyna Super Glide	96 CI - Exc. Lower Fairings	63-1125 ²	7.8 @ 4953
		63-1122 ²	12.9 @ 4612	FXDB Dyna Street Bob	96 CI - Exc. Lower Fairings	63-1125P ²	7.8 @ 4953
FLHTC Electra Glide Classic	96 CI - w/Lower Fairings	63-1131P ²	6.8 @ 4388			63-1125 ²	7.8 @ 4953
		63-1131 ²	6.8 @ 4388	FXDC Dyna Super Glide Custom	96 CI - Exc. Lower Fairings	63-1125P ²	7.8 @ 4953
FLHTCU Ultra Classic Electra Glide	96 CI - w/Lower Fairings	63-1131P ²	6.8 @ 4388			63-1125 ²	7.8 @ 4953
		63-1131 ²	6.8 @ 4388	FXDF Fat Bob	96 CI - Exc. Lower Fairings	63-1125P ²	7.8 @ 4953
						63-1125 ²	7.8 @ 4953
FLHTCUTG Tri Glide Ultra Classic	103 CI - w/Lower Fairings	63-1131P ²	6.8 @ 4388	FXDL Dyna Low Rider	96 CI - Exc. Lower Fairings	63-1125P ²	7.8 @ 4953
		63-1131 ²	6.8 @ 4388			63-1125 ²	7.8 @ 4953
FLHTP Electra Glide Police	103 CI - Exc. Lower Fairings	63-1122P ²	12.9 @ 4612	FXSTB Night Train	96 CI - Exc. Lower Fairings	63-1125P ²	7.8 @ 4953
		63-1122 ²	12.9 @ 4612			63-1125 ²	7.8 @ 4953
FLHX Street Glide	96 CI - Exc. Lower Fairings	63-1122P ²	12.9 @ 4612	FXSTC Softail Custom	96 CI - Exc. Lower Fairings	63-1125P ²	10.2 @ 4953
		63-1122 ²	12.9 @ 4612			63-1125 ²	10.2 @ 4953
FLHX Street Glide	96 CI - w/Lower Fairings	63-1131P ²	6.8 @ 4388	XL883C Sportster Custom	54 CI	63-1126P ²	8.6 @ 5533
		63-1131 ²	6.8 @ 4388			63-1126 ²	8.6 @ 5533
FLSTC Heritage Softail Classic	96 CI - Exc. Lower Fairings	63-1125P ²	10.2 @ 4953	XL883L Sportster Low	54 CI	63-1126P ²	8.6 @ 5533
		63-1125 ²	10.2 @ 4953			63-1126 ²	8.6 @ 5533
FLSTF Fat Boy	96 CI - Exc. Lower Fairings	63-1125P ²	7.8 @ 4953	XL883N Iron	54 CI	63-1126P ²	8.6 @ 5533
		63-1125 ²	7.8 @ 4953			63-1126 ²	8.6 @ 5533
FLSTN Softail Deluxe	96 CI - Exc. Lower Fairings	63-1125P ²	10.2 @ 4953	XL1200C Sportster Custom	74 CI	63-1126P ²	8.6 @ 5533
		63-1125 ²	10.2 @ 4953			63-1126 ²	8.6 @ 5533
FLSTSB Softail Cross Bones	96 CI - Exc. Lower Fairings	63-1125P ²	10.2 @ 4953	XL1200L Sportster Low	74 CI	63-1126P ²	8.6 @ 5533
		63-1125 ²	10.2 @ 4953			63-1126 ²	8.6 @ 5533
FLTR Road Glide	96 CI - Exc. Lower Fairings	63-1122P ²	12.9 @ 4612	XL1200N Sportster Nightster	74 CI	63-1126P ²	8.6 @ 5533
		63-1122 ²	12.9 @ 4612			63-1126 ²	8.6 @ 5533
FLTR Road Glide	96 CI - w/Lower Fairings	63-1131P ²	6.8 @ 4388	2016 HONDA			
		63-1131 ²	6.8 @ 4388	Accord	2.4L L4 F/I	69-1213TS ²	5.2 @ 5378
FXCW Rocker	96 CI - Exc. Lower Fairings	63-1125P ²	7.8 @ 4953	Accord	3.5L V6 F/I	69-1212TS ²	7.4 @ 5429
		63-1125 ²	7.8 @ 4953	2015 HONDA			
FXCWC Rocker C	96 CI - Exc. Lower Fairings	63-1125P ²	7.8 @ 4953	Accord	2.4L L4 F/I	69-1213TS ²	5.2 @ 5378
		63-1125 ²	7.8 @ 4953	Accord	3.5L V6 F/I	69-1212TS ²	7.4 @ 5429
				Civic	1.8L L4 F/I	69-1020TS ²	3.2 @ 5424
				Civic Si	2.4L L4 F/I	69-1019TS ²	10.6 @ 5400
				CR-Z	1.5L L4 F/I	69-1018TS ²	4.8 @ 5049
FXD Dyna Super Glide	96 CI - Exc. Lower Fairings	63-1125P ²	7.8 @ 4953				

1) Street legal in all US states. 2) Not legal for sale or use on any pollution controlled motor vehicle in California or states adopting California emission procedures.

* Estimated horsepower gains are based on specific or similar vehicle dyno tests. Results will vary. See Page 478 for more information. Partial Listing - Complete List of Vehicles and Applications at knfilters.com. See page 5 for information on intake tube materials/colors.

AIR INTAKE SYSTEMS

HONDA

Vehicle	Engine Type	Part Number	Estimated Horsepower*	Vehicle	Engine Type	Part Number	Estimated Horsepower*
2014 HONDA				2009 HONDA			
Accord	2.4L L4 F/I - Exc. LEV2 SULEV Test Group EHNXV02.46C3	69-1213TS ¹	5.2 @ 5378	Civic	1.8L L4 F/I - US	69-1013TS ¹	5.7 @ 5700
Accord	3.5L V6 F/I - Exc. LEV2 SULEV Test Group EHNXV03.5SC3	69-1212TS ¹	7.4 @ 5429	Civic GX	1.8L L4 F/I - US	69-1013TS ¹	5.7 @ 5700
Civic	1.8L L4 F/I - Exc. LEV2 SULEV Test Group EHNXV01.8WC2	69-1020TS ¹	3.2 @ 5424	Civic Si	2.0L L4 F/I	69-1014TS ¹	7.0 @ 6700
Civic Si	2.4L L4 F/I	69-1019TS ¹	10.6 @ 5400	Fit	1.5L L4 F/I	69-1017TTK ¹	4.5 @ 5900
CR-Z	1.5L L4 F/I	69-1018TS ²	4.8 @ 5049	2008 HONDA			
2013 HONDA				Accord	2.4L L4 F/I - Exc. LEV2 SULEV Test Group 8HNXV02.4EMC	69-1211TTK ¹	11.1 @ 5600
Accord	2.4L L4 F/I - Exc. LEV2 SULEV Test Group DHNXV02.4NC3	69-1213TS ¹	5.2 @ 5378	Accord	3.5L V6 F/I - Exc. LEV2 SULEV Test Group 8HNXV03.5BMC	69-1210TS ¹	10.2 @ 5217
Accord	3.5L V6 F/I - Exc. LEV2 SULEV Test Group DHNXV03.5VC3	69-1212TS ¹	7.4 @ 5429	Accord VIII	2.0L L4 F/I - Non-US	69-1206TP ²	3.9 @ 5097
Civic	1.8L L4 F/I - Exc. LEV2 SULEV Test Group DHNXV01.82C2	69-1020TS ¹	3.2 @ 5424	Accord VIII	2.4L L4 F/I - Non-US	69-1206TP ²	3.9 @ 5097
Civic Si	2.4L L4 F/I	69-1019TS ¹	10.6 @ 5400	Civic	1.8L L4 F/I - US	69-0025TP ²	4.2 @ 5300
CR-Z	1.5L L4 F/I	69-1018TS ²	4.8 @ 5049	Civic GX	1.8L L4 F/I - US	69-1013TS ¹	5.7 @ 5700
Fit	1.5L L4 F/I	69-1017TTK ¹	4.5 @ 5900	Civic Si	2.0L L4 F/I	69-1014TS ¹	7.0 @ 6700
2012 HONDA				Fit	1.5L L4 F/I	69-1016-1TS ¹	5.0 @ 5500
Accord	2.4L L4 F/I - Exc. LEV2 SULEV Test Group CHNXV02.4MC3	69-1211TTK ¹	11.1 @ 5600	Ridgeline	3.5L V6 F/I	77-3515KP ¹	9.7 @ 5159
Accord	3.5L V6 F/I	69-1210TS ¹	10.2 @ 5217	57-3515 ¹			10.7 @ 5159
Civic	1.8L L4 F/I - Exc. LEV2 SULEV Test Group CHNXV01.8VC2	69-1020TS ¹	3.2 @ 5424	S2000	2.2L L4 F/I	63-3514 ²	9.6 @ 6500
Civic Si	2.4L L4 F/I	69-1019TS ¹	10.6 @ 5400	57-3514 ¹			9.6 @ 6400
Crosstour	3.5L V6 F/I	69-1210TS ¹	10.2 @ 5217	2007 HONDA			
CR-Z	1.5L L4 F/I	69-1018TS ²	4.8 @ 5049	Accord	2.4L L4 F/I - SULEV	69-1209TS ¹	7.1 @ 5111
Fit	1.5L L4 F/I	69-1017TTK ¹	4.5 @ 5900	Accord	3.0L V6 F/I	69-1207TR ¹	10.4 @ 5522
2011 HONDA				Accord VIII	2.0L L4 F/I - Non-US	69-1207TP ¹	10.4 @ 5522
Accord	2.4L L4 F/I - Exc. LEV2 SULEV Test Group BHNXV02.4RC3	69-1211TTK ¹	11.1 @ 5600	Accord VIII	2.4L L4 F/I - Non-US	69-1206TP ²	3.9 @ 5097
Accord	3.5L V6 F/I - w/Mass Air	69-1210TS ¹	10.2 @ 5217	Accord VIII	2.4L L4 F/I - Non-US	69-1206TP ²	3.9 @ 5097
Accord Crosstour	3.5L V6 F/I - w/Mass Air	69-1210TS ¹	10.2 @ 5217	Civic	1.8L L4 F/I - US	69-0025TP ²	4.2 @ 5300
Civic	1.8L L4 F/I - US	69-1013TS ¹	5.7 @ 5700	Civic GX	1.8L L4 F/I - US	69-1013TS ¹	5.7 @ 5700
Civic Si	2.0L L4 F/I	69-1014TS ¹	7.0 @ 6700	Civic Si	1.8L L4 F/I - US	69-1013TS ¹	5.7 @ 5700
CR-Z	1.5L L4 F/I	69-1018TS ²	4.8 @ 5049	Fit	2.0L L4 F/I	69-1014TS ¹	7.0 @ 6700
Fit	1.5L L4 F/I	69-1017TTK ¹	4.5 @ 5900	Ridgeline	1.5L L4 F/I	69-1016-1TS ¹	5.0 @ 5500
2010 HONDA				S2000	3.5L V6 F/I	77-3515KP ¹	9.7 @ 5159
Accord	2.4L L4 F/I - Exc. LEV2 SULEV Test Group AHNXV02.4KC3	69-1211TTK ¹	11.1 @ 5600	57-3515 ¹			10.7 @ 5159
Accord	3.5L V6 F/I - w/Mass Air	69-1210TS ¹	10.2 @ 5217	S2000	2.0L L4 F/I	69-1040TWR ²	5.6 @ 5220
Accord Crosstour	3.5L V6 F/I - w/Mass Air	69-1210TS ¹	10.2 @ 5217	69-1040TP ²			5.6 @ 5220
Civic	1.8L L4 F/I - US	69-1013TS ¹	5.7 @ 5700	63-3514 ²			9.6 @ 6500
Civic Si	2.0L L4 F/I	69-1014TS ¹	7.0 @ 6700	S2000	2.2L L4 F/I	57-3514 ¹	9.6 @ 6400
Fit	1.5L L4 F/I	69-1017TTK ¹	4.5 @ 5900	2006 HONDA			
2009 HONDA				Accord	2.4L L4 F/I - SULEV	69-1209TS ¹	7.1 @ 5111
Accord	2.4L L4 F/I - Exc. LEV2 SULEV Test Group 9HNXV02.4TC3	69-1211TTK ¹	11.1 @ 5600	Accord	2.4L L4 F/I - w/o Mass Air, Not CARB exempt for LEV2 SULEV Engines	69-1206TP ¹	3.9 @ 5097
Accord	3.5L V6 F/I - Exc. LEV2 SULEV Test Group 9HNXV03.5EC3	69-1210TS ¹	10.2 @ 5217	Accord	3.0L V6 F/I	69-1207TR ¹	10.4 @ 5522
				Accord VIII	2.0L L4 F/I - Non-US	69-1207TP ¹	10.4 @ 5522
				Accord VIII	2.4L L4 F/I - Non-US	69-1206TP ²	3.9 @ 5097
				Accord VIII	2.4L L4 F/I - Non-US	69-1206TP ²	3.9 @ 5097
				Civic	1.8L L4 F/I - US	69-0025TP ²	4.2 @ 5300
				Civic GX	1.8L L4 F/I - US	69-1013TS ¹	5.7 @ 5700
				Civic Si	1.8L L4 F/I - US	69-1013TS ¹	5.7 @ 5700
				Civic Si	2.0L L4 F/I	69-1014TS ¹	7.0 @ 6700
				Civic VI	1.6L L4 F/I	69-1008TS ²	5.0 @ 5200
						69-1007TS ²	4.8 @ 6237
				Element	2.4L L4 F/I	69-1008TB ²	5.0 @ 5200
						69-1015TP ¹	7.0 @ 4800

1) Street legal in all US states. 2) Not legal for sale or use on any pollution controlled motor vehicle in California or states adopting California emission procedures.

* Estimated horsepower gains are based on specific or similar vehicle dyno tests. Results will vary. See Page 478 for more information. Partial Listing - Complete List of Vehicles and Applications at knfilters.com. See page 5 for information on intake tube materials/colors.

HONDA

AIR INTAKE SYSTEMS

Vehicle	Engine Type	Part Number	Estimated Horsepower*	Vehicle	Engine Type	Part Number	Estimated Horsepower*
2006 HONDA				2004 HONDA			
Element	2.4L L4 F/I	69-1015TB ¹	7.0 @ 4800	Accord	2.4L L4 F/I - w/o Mass Air, Not CARB exempt for LEV2 SULEV Engines	69-1206TP ¹	3.9 @ 5097
Ridgeline	3.5L V6 F/I	77-3515KP ¹	9.7 @ 5159				
		57-3515 ¹	10.7 @ 5159	Accord	3.0L V6 F/I	69-1207TR ¹	10.4 @ 5522
S2000	2.0L L4 F/I	69-1040TWR ²	5.6 @ 5220			69-1207TP ¹	10.4 @ 5522
		69-1040TP ²	5.6 @ 5220	Accord VIII	2.0L L4 F/I - Non-US	69-1206TP ²	3.9 @ 5097
		63-3514 ²	9.6 @ 6500	Accord VIII	2.4L L4 F/I - Non-US	69-1206TP ²	3.9 @ 5097
S2000	2.2L L4 F/I	57-3514 ¹	9.6 @ 6400			69-0025TP ²	4.2 @ 5300
2005 HONDA						69-1008TS ¹	5.0 @ 5200
Accord	2.4L L4 F/I - SULEV	69-1209TS ¹	7.1 @ 5111	Civic DX	1.7L L4 F/I	69-1008TB ¹	5.0 @ 5200
Accord	2.4L L4 F/I - w/o Mass Air, Not CARB exempt for LEV2 SULEV Engines	69-1206TP ¹	3.9 @ 5097			57-3513 ¹	4.8 @ 6200
				Civic DX	1.7L L4 F/I - w/Manual Trans.	69-1007TS ¹	4.8 @ 6237
Accord	3.0L V6 F/I	69-1207TR ¹	10.4 @ 5522	Civic EX	1.7L L4 F/I	57-3513 ¹	4.8 @ 6200
		69-1207TP ¹	10.4 @ 5522			69-1008TS ¹	5.0 @ 5200
Accord VIII	2.0L L4 F/I - Non-US	69-1206TP ²	3.9 @ 5097	Civic EX	1.7L L4 F/I - w/Manual Trans.	69-1008TB ¹	5.0 @ 5200
Accord VIII	2.4L L4 F/I - Non-US	69-1206TP ²	3.9 @ 5097			69-1007TS ¹	4.8 @ 6237
		69-0025TP ²	4.2 @ 5300	Civic EX	1.7L L4 F/I - w/Manual Trans.	69-1007TS ²	4.8 @ 6237
Civic DX	1.7L L4 F/I	69-1008TS ¹	5.0 @ 5200	Civic HX	1.7L L4 F/I - w/Manual Trans.	69-1007TS ²	4.8 @ 6237
		69-1008TB ¹	5.0 @ 5200	Civic LX	1.7L L4 F/I	69-1008TS ¹	5.0 @ 5200
		57-3513 ¹	4.8 @ 6200			69-1008TB ¹	5.0 @ 5200
Civic EX	1.7L L4 F/I	69-1008TS ¹	5.0 @ 5200	Civic LX	1.7L L4 F/I - w/Manual Trans.	57-3513 ¹	4.8 @ 6200
		69-1008TB ¹	5.0 @ 5200			69-1007TS ¹	4.8 @ 6237
		57-3513 ¹	4.8 @ 6200	Civic Si	1.7L L4 F/I	69-1008TB ²	5.0 @ 5200
Civic LX	1.7L L4 F/I	69-1008TS ¹	5.0 @ 5200			69-1008TS ²	5.0 @ 5200
		57-3513 ¹	4.8 @ 6200	Civic Si	1.7L L4 F/I - w/Manual Trans.	69-1007TS ²	4.8 @ 6237
		69-1008TB ¹	5.0 @ 5200				
Civic Si	1.7L L4 F/I	69-1008TS ²	5.0 @ 5200	Civic Si	2.0L L4 F/I	69-1009TP ¹	10.5 @ 7014
		69-1008TB ²	5.0 @ 5200			69-1009TWR ¹	10.5 @ 7014
Civic Si	2.0L L4 F/I	69-1009TWR ¹	10.5 @ 7014			69-1009TR ¹	10.5 @ 7014
		69-1009TR ¹	10.5 @ 7014	Civic Value Package	1.7L L4 F/I	69-1008TS ²	5.0 @ 5200
		69-1009TP ¹	10.5 @ 7014			69-1008TB ²	5.0 @ 5200
Civic Value Package	1.7L L4 F/I	69-1008TS ²	5.0 @ 5200	Civic Value Package	1.7L L4 F/I - w/Manual Trans.	69-1007TS ²	4.8 @ 6237
		69-1008TB ²	5.0 @ 5200				
Civic VI	1.6L L4 F/I	69-1008TS ²	5.0 @ 5200	Civic VI	1.6L L4 F/I	69-1007TS ²	4.8 @ 6237
		69-1008TB ²	5.0 @ 5200			69-1008TS ²	5.0 @ 5200
		69-1007TS ²	4.8 @ 6237	Civic VI	1.7L L4 F/I	69-1008TB ²	5.0 @ 5200
Civic VI	1.7L L4 F/I	69-1008TS ²	5.0 @ 5200			69-1008TS ²	5.0 @ 5200
		69-1008TB ²	5.0 @ 5200	Civic VI	1.7L L4 F/I - 5 spd.	69-1007TS ²	4.8 @ 6237
Civic VI	1.7L L4 F/I - w/Manual Trans.	69-1007TS ²	4.8 @ 6237	Civic VI	2.0L L4 F/I - 200BHP	69-1009TP ²	10.5 @ 7014
Civic VI	2.0L L4 F/I - 200BHP	69-1009TWR ²	10.5 @ 7014			69-1009TWR ²	10.5 @ 7014
		69-1009TP ²	10.5 @ 7014			69-1009TR ²	10.5 @ 7014
		69-1009TR ²	10.5 @ 7014	CR-V	2.4L L4 F/I	69-0015TS ¹	2.8 @ 6500
Element	2.4L L4 F/I	69-1015TP ¹	7.0 @ 4800			69-0015TR ¹	2.8 @ 6500
		69-1015TB ¹	7.0 @ 4800	Element	2.4L L4 F/I	69-1015TP ¹	7.0 @ 4800
S2000	2.0L L4 F/I	69-1040TWR ²	5.6 @ 5220			69-1015TB ¹	7.0 @ 4800
		69-1040TP ²	5.6 @ 5220	S2000	2.0L L4 F/I	69-1040TWR ²	5.6 @ 5220
		63-3514 ²	9.6 @ 6500			69-1040TP ²	5.6 @ 5220
S2000	2.2L L4 F/I	69-1040TWR ¹	5.6 @ 5220	S2000	2.2L L4 F/I	63-3514 ²	9.6 @ 6500
		57-3514 ¹	9.6 @ 6400			57-3514 ¹	9.6 @ 6400
		69-1040TP ¹	5.6 @ 5220	TRX450R	444	69-1040TWR ¹	5.6 @ 5220
TRX450R	444	63-1127 ²	3.0 @ 6200			69-1040TP ¹	5.6 @ 5220
2004 HONDA				TRX450R	444	63-1127 ²	3.0 @ 6200
Accord	2.4L L4 F/I - SULEV	69-1209TS ¹	7.1 @ 5111				

1) Street legal in all US states. 2) Not legal for sale or use on any pollution controlled motor vehicle in California or states adopting California emission procedures.

* Estimated horsepower gains are based on specific or similar vehicle dyno tests. Results will vary. See Page 478 for more information. Partial Listing - Complete List of Vehicles and Applications at knfilters.com. See page 5 for information on intake tube materials/colors.

AIR INTAKE SYSTEMS

HONDA

Vehicle	Engine Type	Part Number	Estimated Horsepower*	Vehicle	Engine Type	Part Number	Estimated Horsepower*
2003 HONDA				2002 HONDA			
Accord	2.4L L4 F/I - w/o Mass Air, Not CARB exempt for LEV2 SULEV Engines	69-1206TP ¹	3.9 @ 5097	Civic EX	1.7L L4 F/I	69-1008TB ¹ 57-3513 ¹	5.0 @ 5200 4.8 @ 6200
Accord	3.0L V6 F/I	69-1207TR ¹ 69-1207TP ¹	10.4 @ 5522 10.4 @ 5522	Civic EX	1.7L L4 F/I - w/Manual Trans.	69-1007TS ¹	4.8 @ 6237
Accord VIII	2.0L L4 F/I - Non-US	69-1206TP ²	3.9 @ 5097	Civic HX	1.7L L4 F/I - w/Manual Trans.	69-1007TS ²	4.8 @ 6237
Accord VIII	2.4L L4 F/I - Non-US	69-1206TP ² 69-0025TP ²	3.9 @ 5097 4.2 @ 5300	Civic LX	1.7L L4 F/I	69-1008TS ¹ 69-1008TB ¹ 57-3513 ¹	5.0 @ 5200 5.0 @ 5200 4.8 @ 6200
Civic DX	1.7L L4 F/I	57-3513 ¹ 69-1008TS ¹ 69-1008TB ¹	4.8 @ 6200 5.0 @ 5200 5.0 @ 5200	Civic LX	1.7L L4 F/I - w/Manual Trans.	69-1007TS ¹	4.8 @ 6237
Civic DX	1.7L L4 F/I - w/Manual Trans.	69-1007TS ¹	4.8 @ 6237	Civic Si	1.7L L4 F/I	69-1008TS ² 69-1008TB ²	5.0 @ 5200 5.0 @ 5200
Civic EX	1.7L L4 F/I	57-3513 ¹ 69-1008TS ¹ 69-1008TB ¹	4.8 @ 6200 5.0 @ 5200 5.0 @ 5200	Civic Si	1.7L L4 F/I - w/Manual Trans.	69-1007TS ²	4.8 @ 6237
Civic EX	1.7L L4 F/I - w/Manual Trans.	69-1007TS ¹	4.8 @ 6237	Civic Si	2.0L L4 F/I	69-1009TWR ¹ 69-1009TR ¹ 69-1009TP ¹	10.5 @ 7014 10.5 @ 7014 10.5 @ 7014
Civic HX	1.7L L4 F/I - w/Manual Trans.	69-1007TS ²	4.8 @ 6237	Civic VI	1.6L L4 F/I	69-1008TS ² 69-1008TB ² 69-1007TS ²	5.0 @ 5200 5.0 @ 5200 4.8 @ 6237
Civic LX	1.7L L4 F/I	69-1008TS ¹ 69-1008TB ¹ 57-3513 ¹	5.0 @ 5200 5.0 @ 5200 4.8 @ 6200	Civic VI	1.7L L4 F/I	69-1008TS ² 69-1008TB ² 69-1007TS ²	5.0 @ 5200 5.0 @ 5200 4.8 @ 6237
Civic LX	1.7L L4 F/I - w/Manual Trans.	69-1007TS ¹	4.8 @ 6237	Civic VI	2.0L L4 F/I	69-1009TWR ² 69-1009TR ² 69-1009TP ²	10.5 @ 7014 10.5 @ 7014 10.5 @ 7014
Civic Si	1.7L L4 F/I	69-1008TS ² 69-1008TB ²	5.0 @ 5200 5.0 @ 5200	CR-V	2.4L L4 F/I	69-0015TS ¹ 69-0015TR ¹	2.8 @ 6500 2.8 @ 6500
Civic Si	1.7L L4 F/I - w/Manual Trans.	69-1007TS ²	4.8 @ 6237	S2000	2.0L L4 F/I	69-1040TWR ¹ 69-1040TP ¹ 57-3514 ¹	5.6 @ 5220 5.6 @ 5220 9.6 @ 6400
Civic Si	2.0L L4 F/I	69-1009TP ¹ 69-1009TWR ¹ 69-1009TR ¹	10.5 @ 7014 10.5 @ 7014 10.5 @ 7014	2001 HONDA			
Civic VI	1.6L L4 F/I	69-1008TS ² 69-1008TB ² 69-1007TS ²	5.0 @ 5200 5.0 @ 5200 4.8 @ 6237	Accord	3.0L V6 F/I	69-1203TP ¹	9.4 @ 5924
Civic VI	1.7L L4 F/I	69-1008TS ² 69-1008TB ²	5.0 @ 5200 5.0 @ 5200	Accord VII	2.2L L4 F/I	69-1500TWR ² 69-1500TP ²	13.0 @ 7000 13.0 @ 7000
Civic VI	1.7L L4 F/I - 5 spd.	69-1007TS ²	4.8 @ 6237	Civic DX	1.7L L4 F/I	69-1008TS ¹ 69-1008TB ¹ 57-3513 ¹	5.0 @ 5200 5.0 @ 5200 4.8 @ 6200
Civic VI	2.0L L4 F/I	69-1009TWR ² 69-1009TR ² 69-1009TP ²	10.5 @ 7014 10.5 @ 7014 10.5 @ 7014	Civic DX	1.7L L4 F/I - w/Manual Trans.	69-1007TS ¹	4.8 @ 6237
CR-V	2.4L L4 F/I	69-0015TS ¹ 69-0015TR ¹	2.8 @ 6500 2.8 @ 6500	Civic EX	1.7L L4 F/I	57-3513 ¹ 69-1008TS ¹ 69-1008TB ¹	4.8 @ 6200 5.0 @ 5200 5.0 @ 5200
Element	2.4L L4 F/I	69-1015TP ¹ 69-1015TB ¹	7.0 @ 4800 7.0 @ 4800	Civic EX	1.7L L4 F/I - w/Manual Trans.	69-1007TS ¹	4.8 @ 6237
S2000	2.0L L4 F/I	69-1040TWR ¹ 69-1040TP ¹ 57-3514 ¹	5.6 @ 5220 5.6 @ 5220 9.6 @ 6400	Civic HX	1.7L L4 F/I - w/Manual Trans.	69-1007TS ²	4.8 @ 6237
2002 HONDA				Civic LX	1.7L L4 F/I	57-3513 ¹ 69-1008TS ¹ 69-1008TB ¹	4.8 @ 6200 5.0 @ 5200 5.0 @ 5200
Accord	3.0L V6 F/I	69-1203TP ¹	9.4 @ 5924	Civic LX	1.7L L4 F/I - w/Manual Trans.	69-1007TS ¹	4.8 @ 6237
Accord VII	2.2L L4 F/I	69-1500TWR ² 69-1500TP ²	13.0 @ 7000 13.0 @ 7000	Civic V	1.5L L4 F/I - 3/4-Door	69-1011TP ²	5.3 @ 4692
Civic DX	1.7L L4 F/I	57-3513 ¹ 69-1008TS ¹ 69-1008TB ¹	4.8 @ 6200 5.0 @ 5200 5.0 @ 5200	Civic VI	1.6L L4 F/I	69-1008TS ² 69-1008TB ² 69-1007TS ²	5.0 @ 5200 5.0 @ 5200 4.8 @ 6237
Civic DX	1.7L L4 F/I - w/Manual Trans.	69-1007TS ¹	4.8 @ 6237	Civic VI	1.7L L4 F/I	69-1008TS ² 69-1008TB ²	5.0 @ 5200 5.0 @ 5200
Civic EX	1.7L L4 F/I	69-1008TS ¹	5.0 @ 5200				

1) Street legal in all US states. 2) Not legal for sale or use on any pollution controlled motor vehicle in California or states adopting California emission procedures.

* Estimated horsepower gains are based on specific or similar vehicle dyno tests. Results will vary. See Page 478 for more information. Partial Listing - Complete List of Vehicles and Applications at knfilters.com. See page 5 for information on intake tube materials/colors.

HONDA

AIR INTAKE SYSTEMS

Vehicle	Engine Type	Part Number	Estimated Horsepower*	Vehicle	Engine Type	Part Number	Estimated Horsepower*
2001 HONDA				1996 HONDA			
Civic VI	1.7L L4 F/I	69-1007TS ²	4.8 @ 6237	Accord VI	2.2L L4 F/I	69-1208TS ²	5.9 @ 5411
Civic VI	2.0L L4 F/I	69-1009TP ²	10.5 @ 7014	Civic EX	1.6L L4 F/I	69-1011TP ¹	5.3 @ 4692
		69-1009TWR ²	10.5 @ 7014			63-1016 ²	5.6 @ 7200
		69-1009TR ²	10.5 @ 7014	Civic HX	1.6L L4 F/I - w/Manual Trans.	63-1016 ²	5.6 @ 7200
S2000	2.0L L4 F/I	69-1040TWR ¹	5.6 @ 5220	Civic V	1.5L L4 F/I	69-1011TP ²	5.3 @ 4692
		69-1040TP ¹	5.6 @ 5220				
		57-3514 ¹	9.6 @ 6400	1995 HONDA			
2000 HONDA				Accord	2.2L L4 F/I	69-1208TS ¹	5.9 @ 5411
Accord	3.0L V6 F/I	69-1203TP ¹	9.4 @ 5924	Civic del Sol	1.5L L4 F/I	57-3504 ¹	3.7 @ 6100
Accord VII	2.2L L4 F/I	69-1500TP ²	13.0 @ 7000	Civic del Sol	1.6L L4 F/I	57-3504 ¹	3.7 @ 6100
		69-1500TWR ²	13.0 @ 7000	Civic DX	1.5L L4 F/I	63-1017 ²	4.7 @ 6000
Civic EX	1.6L L4 F/I	69-1011TP ¹	5.3 @ 4692			57-3504 ¹	3.7 @ 6100
Civic Si	1.6L L4 F/I	69-1010TP ¹	10.6 @ 7100	Civic DX Hatchback	1.5L L4 F/I	63-1017 ²	4.7 @ 6000
		57-3512 ¹	5.8 @ 7500	Civic EX	1.6L L4 F/I	63-1017 ²	4.7 @ 6000
Civic Type R	2.0L L4 F/I	69-1009TWR ²	10.5 @ 7014			57-3504 ¹	3.7 @ 6100
		69-1009TR ²	10.5 @ 7014	Civic IV	1.5L L4 F/I - 90BHP	69-1502TS ²	
		69-1009TP ²	10.5 @ 7014			69-1502TP ²	
Civic V	1.5L L4 F/I - 3/4-Door	69-1011TP ²	5.3 @ 4692	Civic LX	1.5L L4 F/I	63-1017 ²	4.7 @ 6000
S2000	2.0L L4 F/I	69-1040TWR ¹	5.6 @ 5220	Civic Si	1.6L L4 F/I	63-1017 ²	4.7 @ 6000
		69-1040TP ¹	5.6 @ 5220	Civic V	1.5L L4 F/I	69-1011TP ²	5.3 @ 4692
		57-3514 ¹	9.6 @ 6400	1994 HONDA			
1999 HONDA				Accord	2.2L L4 F/I	69-1208TS ¹	5.9 @ 5411
Accord	3.0L V6 F/I	69-1203TP ¹	9.4 @ 5924	Civic CX	1.5L L4 F/I	63-1017 ²	4.7 @ 6000
Accord VII	2.2L L4 F/I	69-1500TWR ²	13.0 @ 7000			57-3504 ¹	3.7 @ 6100
		69-1500TP ²	13.0 @ 7000	Civic del Sol	1.5L L4 F/I	57-3504 ¹	3.7 @ 6100
Civic EX	1.6L L4 F/I	69-1011TP ¹	5.3 @ 4692	Civic del Sol	1.6L L4 F/I	57-3504 ¹	3.7 @ 6100
Civic HX	1.6L L4 F/I - w/Manual Trans.	63-1016 ²	5.6 @ 7200	Civic DX	1.5L L4 F/I	63-1017 ²	4.7 @ 6000
Civic Si	1.6L L4 F/I	69-1010TP ¹	10.6 @ 7100			57-3504 ¹	3.7 @ 6100
		57-3512 ¹	5.8 @ 7500	Civic DX Hatchback	1.5L L4 F/I	63-1017 ²	4.7 @ 6000
Civic V	1.5L L4 F/I - 3/4-Door	69-1011TP ²	5.3 @ 4692	Civic EX	1.6L L4 F/I	63-1017 ²	4.7 @ 6000
Prelude	2.2L L4 F/I - US	69-1302TP ¹	7.1 @ 6821			57-3504 ¹	3.7 @ 6100
S2000	2.0L L4 F/I	69-1040TWR ²	5.6 @ 5220	Civic IV	1.5L L4 F/I - 90BHP	69-1502TS ²	
		69-1040TP ²	5.6 @ 5220			69-1502TP ²	
1998 HONDA				Civic LX	1.5L L4 F/I	63-1017 ²	4.7 @ 6000
Accord VII	2.2L L4 F/I	69-1500TWR ²	13.0 @ 7000			57-3504 ¹	3.7 @ 6100
		69-1500TP ²	13.0 @ 7000	Civic Si	1.6L L4 F/I	63-1017 ²	4.7 @ 6000
Civic EX	1.6L L4 F/I	69-1011TP ¹	5.3 @ 4692			57-3504 ¹	3.7 @ 6100
Civic HX	1.6L L4 F/I - w/Manual Trans.	63-1016 ²	5.6 @ 7200	1993 HONDA			
Civic V	1.5L L4 F/I - 3/4-Door	69-1011TP ²	5.3 @ 4692	Civic del Sol	1.5L L4 F/I	57-3504 ¹	3.7 @ 6100
Prelude	2.2L L4 F/I - US	69-1302TP ¹	7.1 @ 6821	Civic del Sol	1.6L L4 F/I	57-3504 ¹	3.7 @ 6100
1997 HONDA				Civic DX	1.5L L4 F/I	63-1017 ²	4.7 @ 6000
Accord	2.2L L4 F/I	69-1208TS ¹	5.9 @ 5411			57-3504 ¹	3.7 @ 6100
Accord V	2.2L L4 F/I	69-1208TS ²	5.9 @ 5411	Civic DX Hatchback	1.5L L4 F/I	63-1017 ²	4.7 @ 6000
Accord VI	2.2L L4 F/I	69-1208TS ²	5.9 @ 5411	Civic EX	1.6L L4 F/I	63-1017 ²	4.7 @ 6000
Civic EX	1.6L L4 F/I	69-1011TP ¹	5.3 @ 4692			57-3504 ¹	3.7 @ 6100
		63-1016 ²	5.6 @ 7200	Civic IV	1.5L L4 F/I - 90BHP	69-1502TS ²	
Civic HX	1.6L L4 F/I - w/Manual Trans.	63-1016 ²	5.6 @ 7200			69-1502TP ²	
Civic V	1.5L L4 F/I - 3/4-Door	69-1011TP ²	5.3 @ 4692	Civic LX	1.5L L4 F/I	63-1017 ²	4.7 @ 6000
Prelude	2.2L L4 F/I - US	69-1302TP ¹	7.1 @ 6821			57-3504 ¹	3.7 @ 6100
1996 HONDA				Civic Si	1.6L L4 F/I	63-1017 ²	4.7 @ 6000
Accord	2.2L L4 F/I	69-1208TS ¹	5.9 @ 5411	1992 HONDA			
Accord V	2.2L L4 F/I	69-1208TS ²	5.9 @ 5411	Civic DX	1.5L L4 F/I	63-1017 ²	4.7 @ 6000
						57-3504 ¹	3.7 @ 6100
				Civic DX Hatchback	1.5L L4 F/I	63-1017 ²	4.7 @ 6000
				Civic EX	1.6L L4 F/I	63-1017 ²	4.7 @ 6000

1) Street legal in all US states. 2) Not legal for sale or use on any pollution controlled motor vehicle in California or states adopting California emission procedures.

* Estimated horsepower gains are based on specific or similar vehicle dyno tests. Results will vary. See Page 478 for more information. Partial Listing - Complete List of Vehicles and Applications at knfilters.com. See page 5 for information on intake tube materials/colors.

AIR INTAKE SYSTEMS

HONDA

Vehicle	Engine Type	Part Number	Estimated Horsepower*	Vehicle	Engine Type	Part Number	Estimated Horsepower*
1992 HONDA				2005 HUMMER			
Civic EX	1.6L L4 F/I	57-3504 ¹	3.7 @ 6100	H2	6.0L V8 F/I	57-3037 ¹	11.4 @ 4524
Civic IV	1.5L L4 F/I - 90BHP	69-1502TS ² 69-1502TP ²		2004 HUMMER			
Civic LX	1.5L L4 F/I	63-1017 ²	4.7 @ 6000	H2	6.0L V8 F/I	77-3037KP ¹ 57-3037 ¹	9.8 @ 4558 11.4 @ 4524
Civic Si	1.6L L4 F/I	63-1017 ²	4.7 @ 6000	2003 HUMMER			
1991 HONDA				H2	6.0L V8 F/I	77-3037KP ¹ 57-3037 ¹	9.8 @ 4558 11.4 @ 4524
Civic	1.5L L4 F/I - Exc. HF	57-3503 ¹	4.4 @ 5416	2016 HYUNDAI			
Civic	1.6L L4 F/I	57-3503 ¹	4.4 @ 5416	Elantra	1.8L L4 F/I	69-5315TS ²	5.2 @ 6120
Civic IV	1.5L L4 F/I - 90BHP	69-1502TS ² 69-1502TP ²		Elantra	2.0L L4 F/I	69-5315TS ²	5.2 @ 6120
CRX	1.5L L4 F/I	57-3503 ¹	4.4 @ 5416	Genesis Coupe	3.8L V6 F/I	69-5310TS ²	8.9 @ 6180
CRX	1.6L L4 F/I	57-3503 ¹	4.4 @ 5416	Veloster	1.6L L4 F/I	69-5304TS ²	6.5 @ 6400
1990 HONDA				Veloster Turbo	1.6L L4 F/I	69-5312TS ²	12.9 @ 4547
Civic	1.5L L4 F/I	57-3503 ¹	4.4 @ 5416	2015 HYUNDAI			
Civic	1.6L L4 F/I	57-3503 ¹	4.4 @ 5416	Elantra	1.8L L4 F/I	69-5315TS ²	5.2 @ 6120
CRX	1.5L L4 F/I	57-3503 ¹	4.4 @ 5416	Elantra	2.0L L4 F/I	69-5315TS ²	5.2 @ 6120
CRX	1.6L L4 F/I	57-3503 ¹	4.4 @ 5416	Genesis Coupe	3.8L V6 F/I	69-5310TS ²	8.9 @ 6180
1989 HONDA				Santa Fe	2.4L L4 F/I	63-5301 ²	3.7 @ 5591
Civic	1.5L L4 F/I	57-3503 ¹	4.4 @ 5416	Veloster	1.6L L4 F/I	69-5304TS ²	6.5 @ 6400
Civic	1.6L L4 F/I	57-3503 ¹	4.4 @ 5416	Veloster Turbo	1.6L L4 F/I	69-5312TS ²	12.9 @ 4547
CRX	1.5L L4 F/I	57-3503 ¹	4.4 @ 5416	2014 HYUNDAI			
CRX	1.6L L4 F/I	57-3503 ¹	4.4 @ 5416	Elantra	1.8L L4 F/I	69-5315TS ²	5.2 @ 6120
1988 HONDA				Elantra Coupe	2.0L L4 F/I	69-5315TS ²	5.2 @ 6120
Civic	1.5L L4 F/I	57-3503 ¹	4.4 @ 5416	Elantra GT	2.0L L4 F/I	69-5315TS ²	5.2 @ 6120
Civic	1.6L L4 F/I	57-3503 ¹	4.4 @ 5416	Elantra GT	2.0L L4 F/I	69-5311TTK ²	16.7 @ 4014
CRX	1.5L L4 F/I	57-3503 ¹	4.4 @ 5416	Genesis Coupe	3.8L V6 F/I	69-5310TS ²	8.9 @ 6180
CRX	1.6L L4 F/I	57-3503 ¹	4.4 @ 5416	Genesis Coupe	3.8L V6 F/I	69-5310TS ²	8.9 @ 6180
2009 HUMMER				Santa Fe	2.4L L4 F/I	63-5301 ²	3.7 @ 5591
H2	6.2L V8 F/I	77-3037KP ¹ 63-3037 ² 57-3037 ¹	9.8 @ 4558 11.4 @ 4524 11.4 @ 4524	Sonata	2.0L L4 F/I	69-5309TS ²	7.6 @ 4861
H3	3.7L L5 F/I	77-3065KP ² 63-3065 ²	7.2 @ 4533 11.0 @ 4754	Sonata	2.4L L4 F/I	69-5301TTK ²	7.8 @ 5147
H3T	3.7L L5 F/I	77-3065KP ² 63-3065 ²	7.2 @ 4533 11.0 @ 4754	Veloster	1.6L L4 F/I	69-5304TS ²	6.5 @ 6400
2008 HUMMER				Veloster Turbo	1.6L L4 F/I	69-5312TS ²	12.9 @ 4547
H2	6.2L V8 F/I	77-3037KP ¹ 57-3037 ¹ 63-3037 ²	9.8 @ 4558 11.4 @ 4524 11.4 @ 4524	2013 HYUNDAI			
H3	3.7L L5 F/I	77-3065KP ² 63-3065 ²	7.2 @ 4533 11.0 @ 4754	Elantra	1.8L L4 F/I	69-5303TS ²	5.6 @ 5383
2007 HUMMER				Elantra Coupe	1.8L L4 F/I	69-5303TS ²	5.6 @ 5383
H2	6.0L V8 F/I	77-3037KP ¹ 57-3037 ¹	9.8 @ 4558 11.4 @ 4524	Elantra GT	1.8L L4 F/I	69-5303TS ²	5.6 @ 5383
H3	3.7L L5 F/I	77-3065KP ² 63-3065 ²	7.2 @ 4533 11.0 @ 4754	Genesis Coupe	2.0L L4 F/I	69-5311TTK ²	16.7 @ 4014
2006 HUMMER				Genesis Coupe	3.8L V6 F/I	69-5310TS ²	8.9 @ 6180
H2	6.0L V8 F/I	77-3037KP ¹ 57-3037 ¹	9.8 @ 4558 11.4 @ 4524	Santa Fe	2.4L L4 F/I	63-5301 ²	3.7 @ 5591
H3	3.5L L5 F/I	77-3044KP ¹ 57-3043 ¹	16.2 @ 5849 18.6 @ 6001	Sonata	2.0L L4 F/I	69-5309TS ²	7.6 @ 4861
2005 HUMMER				Sonata	2.4L L4 F/I	57-5300 ²	4.8 @ 5588
H2	6.0L V8 F/I	77-3037KP ¹	9.8 @ 4558	Veloster	1.6L L4 F/I	69-5301TTK ²	7.8 @ 5147
				Veloster Turbo	1.6L L4 F/I	69-5304TS ² 69-5312TS ²	6.5 @ 6400 12.9 @ 4547
				2012 HYUNDAI			
				Elantra	1.8L L4 F/I	69-5303TS ²	5.6 @ 5383
				Genesis Coupe	2.0L L4 F/I	69-5302TTK ²	7.0 @ 4000
				Sonata	2.0L L4 F/I	69-5309TS ²	7.6 @ 4861
				Sonata	2.4L L4 F/I	69-5301TTK ²	7.8 @ 5147
				Veloster	1.6L L4 F/I	69-5304TS ²	6.5 @ 6400
				2011 HYUNDAI			
				Elantra	1.8L L4 F/I	69-5303TS ²	5.6 @ 5383
				Genesis Coupe	2.0L L4 F/I	69-5302TTK ²	7.0 @ 4000
				Sonata	2.0L L4 F/I	69-5309TS ²	7.6 @ 4861

1) Street legal in all US states. 2) Not legal for sale or use on any pollution controlled motor vehicle in California or states adopting California emission procedures.

* Estimated horsepower gains are based on specific or similar vehicle dyno tests. Results will vary. See Page 478 for more information. Partial Listing - Complete List of Vehicles and Applications at knfilters.com. See page 5 for information on intake tube materials/colors.

HYUNDAI

AIR INTAKE SYSTEMS

Vehicle	Engine Type	Part Number	Estimated Horsepower*	Vehicle	Engine Type	Part Number	Estimated Horsepower*
2011 HYUNDAI				2007 INFINITI			
Sonata	2.4L L4 F/I	69-5301TTK ²	7.8 @ 5147	G35	3.5L V6 F/I - Sedan	69-7082TS ¹	8.1 @ 5960
Veloster	1.6L L4 F/I - Non-US	69-5304TS ²	6.5 @ 6400	QX56	5.6L V8 F/I	77-6012KP ¹	7.3 @ 4914
2010 HYUNDAI				2006 INFINITI			
Genesis Coupe	2.0L L4 F/I	69-5302TTK ²	7.0 @ 4000	G35	3.5L V6 F/I - Coupe	69-7080-1TS ¹	9.5 @ 6101
2005 HYUNDAI				2005 INFINITI			
Coupe	2.7L V6 F/I	69-5300TS ²	10.0 @ 5000	G35	3.5L V6 F/I - Sedan	69-7081-1TS ¹	5.1 @ 5688
		69-5300TR ²	10.0 @ 5000	QX56	5.6L V8 F/I	77-6012KP ¹	7.3 @ 4914
Tiburon GT	2.7L V6 F/I	69-5300TS ¹	10.0 @ 5000			57-6012 ¹	11.2 @ 5073
		69-5300TR ¹	10.0 @ 5000	2004 INFINITI			
2004 HYUNDAI				2003 INFINITI			
Coupe	2.7L V6 F/I	69-5300TS ²	10.0 @ 5000	G35	3.5L V6 F/I - Coupe	69-7080-1TS ¹	9.5 @ 6101
		69-5300TR ²	10.0 @ 5000	G35	3.5L V6 F/I - Sedan	69-7081-1TS ¹	5.1 @ 5688
Tiburon GT	2.7L V6 F/I	69-5300TS ¹	10.0 @ 5000	QX56	5.6L V8 F/I	77-6012KP ¹	7.3 @ 4914
		69-5300TR ¹	10.0 @ 5000			57-6012 ¹	11.2 @ 5073
2003 HYUNDAI				2004 INFINITI			
Coupe	2.7L V6 F/I	69-5300TS ²	10.0 @ 5000	G35	3.5L V6 F/I - Coupe	69-7080-1TS ¹	9.5 @ 6101
		69-5300TR ²	10.0 @ 5000	G35	3.5L V6 F/I - Sedan	69-7081-1TS ¹	5.1 @ 5688
Tiburon GT	2.7L V6 F/I	69-5300TS ¹	10.0 @ 5000	QX56	5.6L V8 F/I	77-6012KP ¹	7.3 @ 4914
		69-5300TR ¹	10.0 @ 5000			57-6012 ¹	11.2 @ 5073
2002 HYUNDAI				2003 INFINITI			
Coupe	2.7L V6 F/I	69-5300TS ²	10.0 @ 5000	G35	3.5L V6 F/I - Coupe	69-7080-1TS ¹	9.5 @ 6101
		69-5300TR ²	10.0 @ 5000	G35	3.5L V6 F/I - Sedan	69-7081-1TS ¹	5.1 @ 5688
2015 INFINITI				2008 ISUZU			
Q50	3.7L V6 F/I	69-7083TS ²	6.2 @ 5473	Ascender	4.2L L6 F/I	77-3062KP ²	9.3 @ 4850
QX60	3.5L V6 F/I	69-7063TTK ²	7.1 @ 5354			63-3062 ²	9.5 @ 4725
2014 INFINITI				2007 ISUZU			
Q50	3.7L V6 F/I	69-7083TS ²	6.2 @ 5473	Ascender	4.2L L6 F/I	77-3062KP ²	9.3 @ 4850
QX60	3.5L V6 F/I	69-7063TTK ¹	7.1 @ 5354			63-3062 ²	9.5 @ 4725
2013 INFINITI				2006 ISUZU			
G37	3.7L V6 F/I	69-7078TS ¹	14.2 @ 5600	Ascender	4.2L L6 F/I	77-3062KP ¹	9.3 @ 4850
JX35	3.5L V6 F/I	69-7063TTK ¹	7.1 @ 5354			57-3062 ¹	9.5 @ 4725
2012 INFINITI				2016 JEEP			
G37	3.7L V6 F/I	69-7078TS ¹	14.2 @ 5600	Cherokee	3.2L V6 F/I	63-1569 ²	7.5 @ 5998
2011 INFINITI							
G37	3.7L V6 F/I	69-7078TS ¹	14.2 @ 5600			77-1569KS ²	8.3 @ 5998
2010 INFINITI				Compass			
G37	3.7L V6 F/I	69-7078TS ¹	14.2 @ 5600	Compass	2.0L L4 F/I	63-1567 ²	6.3 @ 4397
				Compass	2.4L L4 F/I	63-1567 ²	6.3 @ 4397
				Patriot	2.0L L4 F/I	63-1567 ²	6.3 @ 4397
				Patriot	2.4L L4 F/I	63-1567 ²	6.3 @ 4397
				Wrangler	3.6L V6 F/I	63-1566 ²	12.2 @ 5600
						71-1566 ²	7.3 @ 5600
2009 INFINITI				2015 JEEP			
G37	3.7L V6 F/I	69-7078TS ¹	14.2 @ 5600	Cherokee	2.4L L4 F/I	77-1570KS ²	3.4 @ 4100
QX56	5.6L V8 F/I	77-6012KP ¹	7.3 @ 4914	Cherokee	3.2L V6 F/I	63-1569 ²	7.5 @ 5998
						77-1569KS ²	8.3 @ 5998
				Compass	2.0L L4 F/I	63-1567 ²	6.3 @ 4397
				Compass	2.4L L4 F/I	63-1567 ²	6.3 @ 4397
				Grand Cherokee	3.0L V6 DSL	63-1570 ²	12.7 @ 2900
				Grand Cherokee	3.6L V6 F/I	77-1560KTK ²	10.8 @ 5447
				Grand Cherokee	5.7L V8 F/I	63-1563 ²	17.0 @ 4944
						77-1563KP ²	15.0 @ 4500
				Grand Cherokee	6.4L V8 F/I	77-1567KS ²	27.9 @ 5700
				Patriot	2.0L L4 F/I	63-1567 ²	6.3 @ 4397
				Patriot	2.4L L4 F/I	63-1567 ²	6.3 @ 4397
				Wrangler	3.6L V6 F/I	63-1566 ²	12.2 @ 5600

1) Street legal in all US states. 2) Not legal for sale or use on any pollution controlled motor vehicle in California or states adopting California emission procedures.

* Estimated horsepower gains are based on specific or similar vehicle dyno tests. Results will vary. See Page 478 for more information. Partial Listing - Complete List of Vehicles and Applications at knfilters.com. See page 5 for information on intake tube materials/colors.

AIR INTAKE SYSTEMS

JEEP

Vehicle	Engine Type	Part Number	Estimated Horsepower*	Vehicle	Engine Type	Part Number	Estimated Horsepower*
2015 JEEP				2010 JEEP			
Wrangler	3.6L V6 F/I	71-1566 ²	7.3 @ 5600	Commander	3.7L V6 F/I	57-1545 ¹	7.5 @ 5132
		77-1566KP ²	10.2 @ 5600			77-1545KP ¹	6.9 @ 5184
2014 JEEP				2010 JEEP			
Cherokee	2.4L L4 F/I	77-1570KS ²	3.4 @ 4100	Commander	5.7L V8 F/I	57-1549 ¹	15.3 @ 5046
Cherokee	3.2L V6 F/I	63-1569 ²	7.5 @ 5998			63-1549 ²	15.3 @ 5046
		77-1569KS ²	8.3 @ 5998	Compass	2.0L L4 F/I	77-1549KP ¹	12.9 @ 5046
Compass	2.0L L4 F/I	63-1567 ²	6.3 @ 4397	Compass	2.4L L4 F/I	63-1552 ²	7.9 @ 4557
Compass	2.4L L4 F/I	63-1567 ²	6.3 @ 4397	Grand Cherokee	3.7L V6 F/I	57-1552 ¹	7.9 @ 4557
Grand Cherokee	3.0L V6 DSL	63-1570 ²	12.7 @ 2900			57-1545 ¹	7.5 @ 5132
Grand Cherokee	3.6L V6 F/I	77-1560KTK ²	10.8 @ 5447	Grand Cherokee	5.7L V8 F/I	77-1545KP ¹	6.9 @ 5184
Grand Cherokee	5.7L V8 F/I	63-1563 ²	17.0 @ 4944			57-1549 ¹	15.3 @ 5046
		77-1563KP ²	15.0 @ 4500	Grand Cherokee	6.1L V8 F/I	63-1549 ²	15.3 @ 5046
Grand Cherokee	6.4L V8 F/I	77-1567KS ²	27.9 @ 5700			77-1549KP ¹	12.9 @ 5046
Patriot	2.0L L4 F/I	63-1567 ²	6.3 @ 4397	Grand Cherokee	6.1L V8 F/I	63-1555 ²	12.0 @ 5000
Patriot	2.4L L4 F/I	63-1567 ²	6.3 @ 4397			57-1555 ¹	12.0 @ 5000
Wrangler	3.6L V6 F/I	63-1566 ²	12.2 @ 5600	Liberty	3.7L V6 F/I	77-1562KTK ²	9.2 @ 4876
		71-1566 ²	7.3 @ 5600	Patriot	2.0L L4 F/I	57-1552 ¹	7.9 @ 4557
		77-1566KP ²	10.2 @ 5600	Patriot	2.4L L4 F/I	57-1552 ¹	7.9 @ 4557
2013 JEEP				2009 JEEP			
Compass	2.0L L4 F/I	63-1567 ²	6.3 @ 4397	Commander	3.7L V6 F/I	77-1545KP ¹	6.9 @ 5184
Compass	2.4L L4 F/I	63-1567 ²	6.3 @ 4397			57-1545 ¹	7.5 @ 5132
Grand Cherokee	3.6L V6 F/I	77-1560KTK ²	10.8 @ 5447	Commander	4.7L V8 F/I	77-1548KP ¹	7.7 @ 4397
Grand Cherokee	5.7L V8 F/I	63-1563 ²	17.0 @ 4944			57-1548 ¹	9.5 @ 4397
		77-1563KP ²	15.0 @ 4500	Commander	5.7L V8 F/I	77-1549KP ¹	12.9 @ 5046
Grand Cherokee	6.4L V8 F/I	77-1567KS ²	27.9 @ 5700			63-1549 ²	15.3 @ 5046
Patriot	2.0L L4 F/I	63-1567 ²	6.3 @ 4397			57-1549 ¹	15.3 @ 5046
Patriot	2.4L L4 F/I	63-1567 ²	6.3 @ 4397	Compass	2.0L L4 F/I	63-1552 ²	7.9 @ 4557
Wrangler	3.6L V6 F/I	63-1566 ²	12.2 @ 5600	Compass	2.4L L4 F/I	57-1552 ¹	7.9 @ 4557
		71-1566 ²	7.3 @ 5600	Grand Cherokee	3.7L V6 F/I	77-1545KP ¹	6.9 @ 5184
		77-1566KP ²	10.2 @ 5600			57-1545 ¹	7.5 @ 5132
2012 JEEP				2009 JEEP			
Compass	2.0L L4 F/I	63-1567 ²	6.3 @ 4397	Grand Cherokee	4.7L V8 F/I	77-1548KP ¹	7.7 @ 4397
Compass	2.4L L4 F/I	63-1567 ²	6.3 @ 4397			57-1548 ¹	9.5 @ 4397
Grand Cherokee	3.6L V6 F/I	77-1560KTK ²	10.8 @ 5447	Grand Cherokee	5.7L V8 F/I	57-1549 ¹	15.3 @ 5046
Grand Cherokee	5.7L V8 F/I	63-1563 ²	17.0 @ 4944			77-1549KP ¹	12.9 @ 5046
		77-1563KP ²	15.0 @ 4500	Grand Cherokee	6.1L V8 F/I	63-1549 ²	15.3 @ 5046
Grand Cherokee	6.4L V8 F/I	77-1567KS ²	27.9 @ 5700			63-1555 ²	12.0 @ 5000
Liberty	3.7L V6 F/I	77-1562KTK ²	9.2 @ 4876	Grand Cherokee	6.1L V8 F/I	57-1555 ¹	12.0 @ 5000
Patriot	2.0L L4 F/I	63-1567 ²	6.3 @ 4397			57-1555 ¹	12.0 @ 5000
Patriot	2.4L L4 F/I	63-1567 ²	6.3 @ 4397	Liberty	3.7L V6 F/I	57-1559 ¹	11.3 @ 4800
Wrangler	3.6L V6 F/I	63-1566 ²	12.2 @ 5600			77-1559KP ¹	10.0 @ 4800
		71-1566 ²	7.3 @ 5600	Patriot	2.0L L4 F/I	63-1559 ²	11.3 @ 4800
		77-1566KP ²	10.2 @ 5600			57-1552 ¹	7.9 @ 4557
2011 JEEP				2008 JEEP			
Compass	2.0L L4 F/I	63-1567 ²	6.3 @ 4397	Commander	3.7L V6 F/I	77-1545KP ¹	6.9 @ 5184
Compass	2.4L L4 F/I	63-1567 ²	6.3 @ 4397			57-1545 ¹	7.5 @ 5132
Grand Cherokee	3.6L V6 F/I	77-1560KTK ²	10.8 @ 5447	Commander	4.7L V8 F/I	77-1548KP ¹	7.7 @ 4397
Grand Cherokee	5.7L V8 F/I	63-1563 ²	17.0 @ 4944			57-1548 ¹	9.5 @ 4397
		77-1563KP ²	15.0 @ 4500	Commander	5.7L V8 F/I	77-1549KP ¹	12.9 @ 5046
Liberty	3.7L V6 F/I	77-1562KTK ²	9.2 @ 4876			63-1549 ²	15.3 @ 5046
Patriot	2.0L L4 F/I	63-1567 ²	6.3 @ 4397			57-1549 ¹	15.3 @ 5046
Patriot	2.4L L4 F/I	63-1567 ²	6.3 @ 4397	Compass	2.0L L4 F/I	63-1552 ²	7.9 @ 4557
Wrangler	3.8L V6 F/I	57-1553 ¹	8.2 @ 4807	Compass	2.4L L4 F/I	57-1552 ¹	7.9 @ 4557
		63-1553 ²	8.2 @ 4807	Grand Cherokee	3.7L V6 F/I	77-1545KP ¹	6.9 @ 5184
		77-1553KP ¹	7.9 @ 4807				

1) Street legal in all US states. 2) Not legal for sale or use on any pollution controlled motor vehicle in California or states adopting California emission procedures.

* Estimated horsepower gains are based on specific or similar vehicle dyno tests. Results will vary. See Page 478 for more information. Partial Listing - Complete List of Vehicles and Applications at knfilters.com. See page 5 for information on intake tube materials/colors.

JEEP

AIR INTAKE SYSTEMS

Vehicle	Engine Type	Part Number	Estimated Horsepower*	Vehicle	Engine Type	Part Number	Estimated Horsepower*
2008 JEEP				2006 JEEP			
Grand Cherokee	3.7L V6 F/I	57-1545 ¹	7.5 @ 5132	TJ	4.0L L6 F/I	57-1514-1 ¹	12.1 @ 4623
Grand Cherokee	4.7L V8 F/I	77-1548KP ¹	7.7 @ 4397	Wrangler	4.0L L6 F/I	57-1514-1 ¹	12.1 @ 4623
		57-1548 ¹	9.5 @ 4397	2005 JEEP			
Grand Cherokee	5.7L V8 F/I	77-1549KP ¹	12.9 @ 5046	Grand Cherokee	3.7L V6 F/I	77-1545KP ¹	6.9 @ 5184
		63-1549 ²	15.3 @ 5046			57-1545 ¹	7.5 @ 5132
		57-1549 ¹	15.3 @ 5046	Grand Cherokee	4.7L V8 F/I	77-1548KP ¹	7.7 @ 4397
Grand Cherokee	6.1L V8 F/I	63-1555 ²	12.0 @ 5000			57-1548 ¹	9.5 @ 4997
		57-1555 ¹	12.0 @ 5000	Grand Cherokee	5.7L V8 F/I	57-1549 ¹	15.3 @ 5046
Liberty	3.7L V6 F/I	77-1559KP ¹	10.0 @ 4800			77-1549KP ¹	12.9 @ 5046
		63-1559 ²	11.3 @ 4800	Grand Cherokee III	5.7L V8 F/I	57-1549 ²	15.3 @ 5046
		57-1559 ¹	11.3 @ 4800	Liberty	3.7L V6 F/I	77-1540KP ¹	5.9 @ 4054
Patriot	2.0L L4 F/I	57-1552 ¹	7.9 @ 4557			57-1540 ¹	6.4 @ 5274
Patriot	2.4L L4 F/I	57-1552 ¹	7.9 @ 4557	TJ	4.0L L6 F/I	57-1514-1 ¹	12.1 @ 4623
Wrangler	3.8L V6 F/I	77-1553KP ¹	7.9 @ 4807	Wrangler	4.0L L6 F/I	57-1514-1 ¹	12.1 @ 4623
		57-1553 ¹	8.2 @ 4807	2004 JEEP			
2007 JEEP				Grand Cherokee	4.0L L6 F/I	77-1526KP ¹	6.7 @ 4492
Commander	3.7L V6 F/I	77-1545KP ¹	6.9 @ 5184			57-1526 ¹	7.7 @ 4711
		57-1545 ¹	7.5 @ 5132	Grand Cherokee	4.7L V8 F/I	77-1513KP ¹	9.2 @ 4680
Commander	4.7L V8 F/I	77-1548KP ¹	7.7 @ 4397			57-1513-1 ¹	13.1 @ 4765
		57-1548 ¹	9.5 @ 4397	Liberty	3.7L V6 F/I	77-1540KP ¹	5.9 @ 4054
Commander	5.7L V8 F/I	77-1549KP ¹	12.9 @ 5046			57-1540 ¹	6.4 @ 5274
		57-1549 ¹	15.3 @ 5046	TJ	4.0L L6 F/I	57-1514-1 ¹	12.1 @ 4623
Compass	2.0L L4 F/I	57-1552 ¹	7.9 @ 4557	Wrangler	4.0L L6 F/I	57-1514-1 ¹	12.1 @ 4623
Compass	2.4L L4 F/I	57-1552 ¹	7.9 @ 4557	2003 JEEP			
Grand Cherokee	3.7L V6 F/I	77-1545KP ¹	6.9 @ 5184	Grand Cherokee	4.0L L6 F/I	77-1526KP ¹	6.7 @ 4492
		57-1545 ¹	7.5 @ 5132			57-1526 ¹	7.7 @ 4711
Grand Cherokee	4.7L V8 F/I	77-1548KP ¹	7.7 @ 4397	Grand Cherokee	4.7L V8 F/I	77-1513KP ¹	9.2 @ 4680
		57-1548 ¹	9.5 @ 4397			57-1513-1 ¹	13.1 @ 4765
Grand Cherokee	5.7L V8 F/I	77-1549KP ¹	12.9 @ 5046	Liberty	3.7L V6 F/I	57-1528 ¹	8.5 @ 5047
		57-1549 ¹	15.3 @ 5046	TJ	4.0L L6 F/I	57-1514-1 ¹	12.1 @ 4623
Grand Cherokee	6.1L V8 F/I	63-1555 ²	12.0 @ 5000	Wrangler	4.0L L6 F/I	57-1514-1 ¹	12.1 @ 4623
		57-1555 ¹	12.0 @ 5000	2002 JEEP			
Grand Cherokee III	5.7L V8 F/I	57-1549 ²	15.3 @ 5046	Grand Cherokee	4.0L L6 F/I	77-1526KP ¹	6.7 @ 4492
Liberty	3.7L V6 F/I	77-1540KP ¹	5.9 @ 4054			57-1526 ¹	7.7 @ 4711
		57-1540 ¹	6.4 @ 5274	Grand Cherokee	4.7L V8 F/I	77-1513KP ¹	9.2 @ 4680
Patriot	2.4L L4 F/I	57-1552 ¹	7.9 @ 4557			57-1513-1 ¹	13.1 @ 4765
Wrangler	3.8L V6 F/I	77-1553KP ¹	7.9 @ 4807	Liberty	3.7L V6 F/I	57-1528 ¹	8.5 @ 5047
		57-1553 ¹	8.2 @ 4807	TJ	4.0L L6 F/I	57-1514-1 ¹	12.1 @ 4623
2006 JEEP				Wrangler	4.0L L6 F/I	57-1514-1 ¹	12.1 @ 4623
Commander	3.7L V6 F/I	77-1545KP ¹	6.9 @ 5184	2001 JEEP			
		57-1545 ¹	7.5 @ 5132	Cherokee	4.0L L6 F/I	57-1518 ¹	7.9 @ 4511
Commander	4.7L V8 F/I	77-1548KP ¹	7.7 @ 4397	Grand Cherokee	4.0L L6 F/I	77-1526KP ¹	6.7 @ 4492
		57-1548 ¹	9.5 @ 4397			57-1526 ¹	7.7 @ 4711
Commander	5.7L V8 F/I	77-1549KP ¹	12.9 @ 5046	Grand Cherokee	4.7L V8 F/I	77-1513KP ¹	9.2 @ 4680
		57-1549 ¹	15.3 @ 5046			57-1513-1 ¹	13.1 @ 4765
Grand Cherokee	3.7L V6 F/I	77-1545KP ¹	6.9 @ 5184	TJ	4.0L L6 F/I	57-1514-1 ¹	12.1 @ 4623
		57-1545 ¹	7.5 @ 5132	Wrangler	4.0L L6 F/I	57-1514-1 ¹	12.1 @ 4623
Grand Cherokee	4.7L V8 F/I	77-1548KP ¹	7.7 @ 4397	2000 JEEP			
		57-1548 ¹	9.5 @ 4397	Cherokee	4.0L L6 F/I	57-1518 ¹	7.9 @ 4511
Grand Cherokee	5.7L V8 F/I	77-1549KP ¹	12.9 @ 5046	Grand Cherokee	4.0L L6 F/I	77-1526KP ¹	6.7 @ 4492
		57-1549 ¹	15.3 @ 5046			57-1526 ¹	7.7 @ 4711
Grand Cherokee	6.1L V8 F/I	63-1555 ²	12.0 @ 5000	Grand Cherokee	4.7L V8 F/I	77-1513KP ¹	9.2 @ 4680
		57-1555 ¹	12.0 @ 5000			57-1513-1 ¹	13.1 @ 4765
Grand Cherokee III	5.7L V8 F/I	57-1549 ²	15.3 @ 5046	TJ	4.0L L6 F/I	57-1514-1 ¹	12.1 @ 4623
Liberty	3.7L V6 F/I	77-1540KP ¹	5.9 @ 4054			57-1514-1 ¹	12.1 @ 4623

1) Street legal in all US states. 2) Not legal for sale or use on any pollution controlled motor vehicle in California or states adopting California emission procedures.

* Estimated horsepower gains are based on specific or similar vehicle dyno tests. Results will vary. See Page 478 for more information. Partial Listing - Complete List of Vehicles and Applications at knfilters.com. See page 5 for information on intake tube materials/colors.

AIR INTAKE SYSTEMS

JEEP

Vehicle	Engine Type	Part Number	Estimated Horsepower*	Vehicle	Engine Type	Part Number	Estimated Horsepower*
2000 JEEP				2015 KIA			
Wrangler	4.0L L6 F/I	57-1514-1 ¹	12.1 @ 4623	Soul	2.0L L4 F/I	69-5313TS ²	5.3 @ 5852
1999 JEEP				2014 KIA			
Cherokee	4.0L L6 F/I	57-1518 ¹	7.9 @ 4511	Forte	2.0L L4 F/I	69-5314TS ²	8.2 @ 5467
Grand Cherokee	4.0L L6 F/I	77-1526KP ¹	6.7 @ 4492	Forte Koup	2.0L L4 F/I	69-5314TS ²	8.2 @ 5467
		57-1526 ¹	7.7 @ 4711	Optima	2.0L L4 F/I	69-5309TS ²	7.6 @ 4861
Grand Cherokee	4.7L V8 F/I	77-1513KP ¹	9.2 @ 4680	Optima	2.4L L4 F/I	57-5300 ²	4.8 @ 5588
		57-1513-1 ¹	13.1 @ 4765			69-5301TTK ²	7.8 @ 5147
TJ	4.0L L6 F/I	57-1514-1 ¹	12.1 @ 4623	Soul	2.0L L4 F/I	69-5313TS ²	5.3 @ 5852
Wrangler	4.0L L6 F/I	57-1514-1 ¹	12.1 @ 4623	2013 KIA			
1998 JEEP				Forte	2.0L L4 F/I	69-5307TTK ²	7.5 @ 5501
Cherokee	4.0L L6 F/I	57-1518 ¹	7.9 @ 4511	Forte Koup	2.4L L4 F/I	69-5307TTK ²	7.5 @ 5501
Grand Cherokee	4.0L L6 F/I	57-1520 ¹	7.7 @ 4684	Forte5	2.0L L4 F/I	69-5307TTK ²	7.5 @ 5501
Grand Cherokee	5.2L V8 F/I	57-1506-2 ¹	24.7 @ 4335	Optima	2.0L L4 F/I	69-5309TS ²	7.6 @ 4861
Grand Cherokee	5.9L V8 F/I	57-1506-2 ¹	24.7 @ 4335	Optima	2.4L L4 F/I	57-5300 ²	4.8 @ 5588
TJ	4.0L L6 F/I	57-1514-1 ¹	12.1 @ 4623			69-5301TTK ²	7.8 @ 5147
Wrangler	4.0L L6 F/I	57-1514-1 ¹	12.1 @ 4623	Soul	2.0L L4 F/I	69-5308TS ²	5.1 @ 5664
1997 JEEP				2012 KIA			
Cherokee	4.0L L6 F/I	57-1518 ¹	7.9 @ 4511	Forte	2.0L L4 F/I	69-5307TTK ²	7.5 @ 5501
Grand Cherokee	4.0L L6 F/I	57-1520 ¹	7.7 @ 4984	Forte Koup	2.4L L4 F/I	69-5307TTK ²	7.5 @ 5501
Grand Cherokee	5.2L V8 F/I	57-1506-2 ¹	24.7 @ 4335	Optima	2.0L L4 F/I	69-5309TS ²	7.6 @ 4861
TJ	4.0L L6 F/I	57-1514-1 ¹	12.1 @ 4623	Soul	2.0L L4 F/I	69-5308TS ²	5.1 @ 5664
Wrangler	4.0L L6 F/I	57-1514-1 ¹	12.1 @ 4623	2011 KIA			
1996 JEEP				Forte	2.0L L4 F/I	69-5307TTK ²	7.5 @ 5501
Cherokee	4.0L L6 F/I	57-1518 ¹	7.9 @ 4511	Forte Koup	2.4L L4 F/I	69-5307TTK ²	7.5 @ 5501
Grand Cherokee	4.0L L6 F/I	57-1520 ¹	7.7 @ 4684	Optima	2.0L L4 F/I	69-5309TS ²	7.6 @ 4861
Grand Cherokee	5.2L V8 F/I	57-1506-2 ¹	24.7 @ 4335	Soul	2.0L L4 F/I	69-5306TS ¹	5.1 @ 5300
1995 JEEP				2010 KIA			
Cherokee	4.0L L6 F/I	57-1519 ¹	7.1 @ 4548	Forte	2.0L L4 F/I	69-5307TTK ²	7.5 @ 5501
Grand Cherokee	4.0L L6 F/I	57-1520 ¹	7.7 @ 4684	Forte Koup	2.4L L4 F/I	69-5307TTK ²	7.5 @ 5501
Grand Cherokee	5.2L V8 F/I	57-1506-2 ¹	24.7 @ 4335	Soul	2.0L L4 F/I	69-5306TS ¹	5.1 @ 5300
Wrangler	4.0L L6 F/I - Exc. ABS	57-1521 ¹	12.7 @ 4800	2008 KIA			
1994 JEEP				Spectra	2.0L L4 F/I	69-5305TP ²	7.2 @ 5800
Cherokee	4.0L L6 F/I	57-1519 ¹	7.1 @ 4548	2007 KIA			
Grand Cherokee	4.0L L6 F/I	57-1520 ¹	7.7 @ 4684	Spectra	2.0L L4 F/I	69-5305TP ²	7.2 @ 5800
Grand Cherokee	5.2L V8 F/I	57-1506-2 ¹	24.7 @ 4335	2006 KIA			
Wrangler	4.0L L6 F/I - Exc. ABS	57-1521 ¹	12.7 @ 4800	Spectra	2.0L L4 F/I	69-5305TP ²	7.2 @ 5800
1993 JEEP				Spectra5	2.0L L4 F/I	69-5305TP ²	7.2 @ 5800
Cherokee	4.0L L6 F/I	57-1519 ¹	7.1 @ 4548	2005 KIA			
Grand Cherokee	4.0L L6 F/I	57-1520 ¹	7.7 @ 4684	Spectra	2.0L L4 F/I	69-5305TP ²	7.2 @ 5800
Grand Cherokee	5.2L V8 F/I	57-1506-2 ¹	24.7 @ 4335	Spectra5	2.0L L4 F/I	69-5305TP ²	7.3 @ 5800
Wrangler	4.0L L6 F/I - Exc. ABS	57-1521 ¹	12.7 @ 4800	2015 LEXUS			
1992 JEEP				IS250	2.5L V6 F/I	69-8704TP ²	12.6 @ 5498
Cherokee	4.0L L6 F/I	57-1519 ¹	7.1 @ 4548	IS350	3.5L V6 F/I	69-8704TP ²	12.6 @ 5498
Wrangler	4.0L L6 F/I - Exc. ABS	57-1521 ¹	12.7 @ 4800	RC350	3.5L V6 F/I	69-8704TP ²	12.6 @ 5498
1991 JEEP				2014 LEXUS			
Cherokee	4.0L L6 F/I	57-1519 ¹	7.1 @ 4548	GS350	3.5L V6 F/I	69-8704TP ¹	12.6 @ 5498
Wrangler	4.0L L6 F/I - Exc. ABS	57-1521 ¹	12.7 @ 4800	IS350	3.5L V6 F/I	69-8704TP ¹	12.6 @ 5498
2016 KIA				2013 LEXUS			
Soul	2.0L L4 F/I	69-5313TS ²	5.3 @ 5852	GS350	3.5L V6 F/I	69-8704TP ¹	12.6 @ 5498
2015 KIA				IS250	2.5L V6 F/I	69-8701TP ²	12.1 @ 5852
Optima	2.4L L4 F/I	57-5300 ²	4.8 @ 5588	IS250	2.5L V6 F/I - Non-US, To 2/13	69-8701TP ²	12.1 @ 5852
		69-5301TTK ²	7.8 @ 5147				

1) Street legal in all US states. 2) Not legal for sale or use on any pollution controlled motor vehicle in California or states adopting California emission procedures.

* Estimated horsepower gains are based on specific or similar vehicle dyno tests. Results will vary. See Page 478 for more information. Partial Listing - Complete List of Vehicles and Applications at knfilters.com. See page 5 for information on intake tube materials/colors.

LEXUS

AIR INTAKE SYSTEMS

Vehicle	Engine Type	Part Number	Estimated Horsepower*	Vehicle	Engine Type	Part Number	Estimated Horsepower*
2013 LEXUS				1998 LEXUS			
IS350	3.5L V6 F/I	69-8704TP ¹	12.6 @ 5498	GS400	4.0L V8 F/I	57-9011 ¹	9.3 @ 5978
2012 LEXUS				2016 LINCOLN			
IS F	5.0L V8 F/I	69-8703TS ²	22.4 @ 6145	Navigator	3.5L V6 F/I	63-2595 ²	6.9 @ 4100
IS250	2.5L V6 F/I	69-8701TP ²	12.1 @ 5852	2015 LINCOLN			
2011 LEXUS				Navigator	3.5L V6 F/I	63-2595 ²	6.9 @ 4100
GS350	3.5L V6 F/I	69-8702TP ²	18.1 @ 5751	2014 LINCOLN			
IS F	5.0L V8 F/I	69-8703TS ²	22.4 @ 6145	Navigator	5.4L V8 F/I	57-2575 ¹	11.0 @ 4600
IS250	2.5L V6 F/I	69-8701TP ²	12.1 @ 5852			63-2575 ²	11.0 @ 4600
IS350	3.5L V6 F/I	69-8701TP ²	12.1 @ 5852	2013 LINCOLN			
2010 LEXUS				Navigator	5.4L V8 F/I	57-2575 ¹	11.0 @ 4600
GS350	3.5L V6 F/I	69-8702TP ²	18.1 @ 5751			63-2575 ²	11.0 @ 4600
IS F	5.0L V8 F/I	69-8703TS ²	22.4 @ 6145	2012 LINCOLN			
IS250	2.5L V6 F/I	69-8701TP ²	12.1 @ 5852	Navigator	5.4L V8 F/I	57-2575 ¹	11.0 @ 4600
IS350	3.5L V6 F/I	69-8701TP ²	12.1 @ 5852			63-2575 ²	11.0 @ 4600
2009 LEXUS				2011 LINCOLN			
GS350	3.5L V6 F/I	69-8702TP ²	18.1 @ 5751	Navigator	5.4L V8 F/I	57-2575 ¹	11.0 @ 4600
IS F	5.0L V8 F/I	69-8703TS ²	22.4 @ 6145			63-2575 ²	11.0 @ 4600
IS250	2.5L V6 F/I	69-8701TP ²	12.1 @ 5852	2010 LINCOLN			
IS350	3.5L V6 F/I	69-8701TP ²	12.1 @ 5852	Navigator	5.4L V8 F/I	57-2575 ¹	11.0 @ 4600
2008 LEXUS						63-2575 ²	11.0 @ 4600
GS350	3.5L V6 F/I	69-8702TP ²	18.1 @ 5751	2009 LINCOLN			
IS F	5.0L V8 F/I	69-8703TS ²	28.1 @ 5900	Navigator	5.4L V8 F/I	63-2575 ²	11.0 @ 4600
IS250	2.5L V6 F/I	69-8701TP ²	12.1 @ 5852			57-2575 ¹	11.0 @ 4600
IS350	3.5L V6 F/I	69-8701TP ²	12.1 @ 5852	2008 LINCOLN			
2007 LEXUS				Mark LT	5.4L V8 F/I	57-2556 ¹	15.5 @ 3829
GS350	3.5L V6 F/I	69-8702TP ²	18.1 @ 5751			77-2556KP ¹	9.6 @ 3724
IS250	2.5L V6 F/I	69-8701TP ²	12.1 @ 5852			71-2556 ¹	11.5 @ 3800
IS350	3.5L V6 F/I	69-8701TP ²	12.1 @ 5852	Navigator	5.4L V8 F/I	63-2575 ²	11.0 @ 4600
2006 LEXUS						57-2575 ¹	11.0 @ 4600
IS250	2.5L V6 F/I	69-8701TP ²	12.1 @ 5852	2007 LINCOLN			
IS350	3.5L V6 F/I	69-8701TP ²	12.1 @ 5852	Mark LT	5.4L V8 F/I	77-2556KP ¹	9.6 @ 3724
2005 LEXUS						71-2556 ¹	11.5 @ 3800
IS250	2.5L V6 F/I	69-8701TP ²	12.1 @ 5852			57-2556 ¹	15.5 @ 3829
IS300	3.0L L6 F/I	57-9018 ¹	9.4 @ 5726	Navigator	5.4L V8 F/I	63-2575 ²	11.0 @ 4600
		69-8700TP ¹	9.4 @ 5850			57-2575 ¹	11.0 @ 4600
2004 LEXUS				2006 LINCOLN			
IS300	3.0L L6 F/I	69-8700TP ¹	9.4 @ 5850	LS	3.9L V8 F/I	69-3520TP ¹	8.0 @ 5379
		57-9018 ¹	9.4 @ 5726	Mark LT	5.4L V8 F/I	57-2556 ¹	15.5 @ 3829
2003 LEXUS						77-2556KP ¹	9.6 @ 3724
IS300	3.0L L6 F/I	57-9018 ¹	9.4 @ 5726			71-2556 ¹	11.5 @ 3800
		69-8700TP ¹	9.4 @ 5850	2005 LINCOLN			
2002 LEXUS				LS	3.9L V8 F/I	69-3520TP ¹	8.0 @ 5379
IS300	3.0L L6 F/I	69-8700TP ¹	9.4 @ 5850	2004 LINCOLN			
		57-9018 ¹	9.4 @ 5726	LS	3.9L V8 F/I	69-3520TP ¹	8.0 @ 5379
2001 LEXUS				Navigator	5.4L V8 F/I	57-2551 ¹	15.5 @ 5049
IS300	3.0L L6 F/I	69-8700TP ¹	9.4 @ 5850	2003 LINCOLN			
		57-9018 ¹	9.4 @ 5726	LS	3.9L V8 F/I	69-3520TP ¹	8.0 @ 5379
2000 LEXUS				Navigator	5.4L V8 F/I	57-2551 ¹	15.5 @ 5049
GS400	4.0L V8 F/I	57-9011 ¹	9.3 @ 5978	2002 LINCOLN			
1999 LEXUS				Navigator	5.4L V8 F/I	57-2558 ¹	15.1 @ 4649
GS400	4.0L V8 F/I	57-9011 ¹	9.3 @ 5978				

1) Street legal in all US states. 2) Not legal for sale or use on any pollution controlled motor vehicle in California or states adopting California emission procedures.

* Estimated horsepower gains are based on specific or similar vehicle dyno tests. Results will vary. See Page 478 for more information. Partial Listing - Complete List of Vehicles and Applications at knfilters.com. See page 5 for information on intake tube materials/colors.

AIR INTAKE SYSTEMS

LINCOLN

Vehicle	Engine Type	Part Number	Estimated Horsepower*	Vehicle	Engine Type	Part Number	Estimated Horsepower*	
2001 LINCOLN				2009 MAZDA				
Navigator	5.4L V8 F/I	57-2558 ¹	15.1 @ 4649	6	2.5L L4 F/I	69-6028TTK ²	5.5 @ 5100	
2000 LINCOLN				B4000				
Navigator	5.4L V8 F/I	57-2558 ¹	15.1 @ 4649		4.0L V6 F/I	77-2561KP ¹	11.2 @ 4950	
1999 LINCOLN				Mazdaspeed3				
Navigator	5.4L V8 F/I - SOHC	57-2514-4 ¹	9.8 @ 4198		2.3L L4 F/I	69-6011TS ¹	25.7 @ 4300	
		77-2514KP ¹	9.7 @ 4093		RX-8	1.3L R2 F/I	69-6030-1TFK ¹	11.2 @ 8660
		57-2541 ¹	13.1 @ 4562	2008 MAZDA				
1998 LINCOLN				3				
Navigator	5.4L V8 F/I	77-2514KP ¹	9.7 @ 4093		2.0L L4 F/I	69-6010TS ²	5.7 @ 4764	
		57-2541 ¹	13.1 @ 4562			69-6010TR ²	5.7 @ 4764	
		57-2514-4 ¹	9.8 @ 4198		3	2.3L L4 F/I	69-6010TS ²	5.7 @ 4764
2016 MAZDA				5 Van				
3	2.0L L4 F/I	69-6033TTK ²	5.5 @ 4982	6	2.3L L4 F/I - Exc. LEV2 SULEV Test Group 8TKXV02.3NH2	69-6027TTK ¹	11.9 @ 5400	
3	2.5L L4 F/I	69-6032TS ²	5.7 @ 4844	B3000	3.0L V6 F/I	57-2560 ¹	10.0 @ 4921	
6	2.5L L4 F/I	69-6032TS ²	5.7 @ 4844	B4000	4.0L V6 F/I	63-1108 ²	13.5 @ 5129	
2015 MAZDA				77-2561KP¹				
3	2.0L L4 F/I	69-6033TTK ²	5.5 @ 4982			57-2561 ¹	13.5 @ 5129	
3	2.5L L4 F/I	69-6032TS ²	5.7 @ 4844	Mazdaspeed3	2.3L L4 F/I	69-6011TS ¹	25.7 @ 4300	
6	2.5L L4 F/I	69-6032TS ²	5.7 @ 4844	RX-8	1.3L R2 F/I	69-6030-1TFK ¹	11.2 @ 8660	
2014 MAZDA				2007 MAZDA				
3	2.0L L4 F/I	69-6033TTK ¹	5.5 @ 4982	3	2.0L L4 F/I	69-6010TS ²	5.7 @ 4764	
3	2.5L L4 F/I	69-6032TS ²	5.7 @ 4844			69-6010TR ²	5.7 @ 4764	
6	2.5L L4 F/I	69-6032TS ²	5.7 @ 4844	3	2.3L L4 F/I	69-6010TR ²	5.7 @ 4764	
2013 MAZDA				69-6010TS²				
3	2.0L L4 F/I - Eng. Skyactiv, Exc. LEV2 SULEV Test Group DTKXV02.0NC1	69-6033TTK ¹	5.5 @ 4982	5 Van	2.3L L4 F/I	69-6010TS ¹	5.7 @ 4764	
3	2.0L L4 F/I - Exc. Eng. Skyactiv	69-6031TS ²	5.6 @ 5743	6	2.3L L4 F/I - Exc. LEV2 SULEV Test Group 7TKXV02.3NH1	69-6010TR ¹	5.7 @ 4764	
6	2.5L L4 F/I	69-6028TTK ²	5.5 @ 5100	6	3.0L V6 F/I	69-6026TS ¹	6.6 @ 4700	
Mazdaspeed3	2.3L L4 F/I	69-6012TS ¹	24.2 @ 5000	B3000	3.0L V6 F/I	57-2560 ¹	10.0 @ 4921	
2012 MAZDA				B4000				
3	2.0L L4 F/I - Exc. Eng. Skyactiv	69-6031TS ²	5.6 @ 5743		4.0L V6 F/I	77-2561KP ¹	11.2 @ 4950	
3	2.5L L4 F/I	69-6013TTK ²	6.7 @ 5604			57-2561 ¹	13.5 @ 5129	
6	2.5L L4 F/I	69-6028TTK ²	5.5 @ 5100	Mazdaspeed3	2.3L L4 F/I	69-6011TS ¹	25.7 @ 4300	
Mazdaspeed3	2.3L L4 F/I	69-6012TS ¹	24.2 @ 5000	RX-8	1.3L R2 F/I	69-6030-1TFK ¹	11.2 @ 8660	
2011 MAZDA				2006 MAZDA				
3	2.0L L4 F/I	69-6031TS ²	5.6 @ 5743	3	2.0L L4 F/I	69-6010TS ²	5.7 @ 4764	
3	2.5L L4 F/I	69-6013TTK ²	6.7 @ 5604			69-6010TR ²	5.7 @ 4764	
6	2.5L L4 F/I	69-6028TTK ²	5.5 @ 5100	3	2.3L L4 F/I	69-6010TR ²	5.7 @ 4764	
Mazdaspeed3	2.3L L4 F/I	69-6012TS ¹	24.2 @ 5000			69-6010TS ²	5.7 @ 4764	
RX-8	1.3L R2 F/I	69-6030-1TFK ²	11.2 @ 8660	5	2.3L L4 F/I	69-6010TS ¹	5.7 @ 4764	
2010 MAZDA				69-6010TR¹				
3	2.5L L4 F/I	69-6013TTK ²	6.7 @ 5604	5	2.3L L4 F/I	69-6010TS ¹	5.7 @ 4764	
6	2.5L L4 F/I	69-6028TTK ²	5.5 @ 5100	6	2.3L L4 F/I - US, Exc. LEV2 SULEV Test Group 6TKXV02.3NG2	69-6025TS ¹	6.2 @ 5051	
Mazdaspeed3	2.3L L4 F/I	69-6012TS ¹	24.2 @ 5000			69-6026TS ¹	6.6 @ 4700	
RX-8	1.3L R2 F/I	69-6030-1TFK ²	11.2 @ 8660	6	3.0L V6 F/I	57-2560 ¹	10.0 @ 4921	
2009 MAZDA				2005 MAZDA				
3	2.0L L4 F/I	69-6010TR ²	5.7 @ 4764	3	2.0L L4 F/I	69-6010TS ²	5.7 @ 4764	
		69-6010TS ²	5.7 @ 4764			69-6010TR ²	5.7 @ 4764	
3	2.3L L4 F/I - Exc. Turbo	69-6010TS ²	5.7 @ 4764	3	2.3L L4 F/I	69-6010TR ²	5.7 @ 4764	
		69-6010TR ²	5.7 @ 4764			69-6010TS ²	5.7 @ 4764	

1) Street legal in all US states. 2) Not legal for sale or use on any pollution controlled motor vehicle in California or states adopting California emission procedures.

* Estimated horsepower gains are based on specific or similar vehicle dyno tests. Results will vary. See Page 478 for more information. Partial Listing - Complete List of Vehicles and Applications at knfilters.com. See page 5 for information on intake tube materials/colors.

MAZDA

AIR INTAKE SYSTEMS

Vehicle	Engine Type	Part Number	Estimated Horsepower*	Vehicle	Engine Type	Part Number	Estimated Horsepower*
2005 MAZDA				2002 MAZDA			
6	2.3L L4 F/I - US, Exc. LEV2 SULEV Test Group 5TKXV02.3NG1	69-6025TS ¹	6.2 @ 5051	MX-5 II	1.8L L4 F/I	69-6000TR ²	3.6 @ 6499
6	3.0L V6 F/I	69-6026TS ¹	6.6 @ 4700	Protege	2.0L L4 F/I	69-6000TP ²	3.6 @ 6499
B3000	3.0L V6 F/I	57-2560 ¹	10.0 @ 4921	Protege5	2.0L L4 F/I	69-6020TS ¹	5.0 @ 3568
B4000	4.0L V6 F/I	77-2561KP ¹	11.2 @ 4950			69-6020TR ¹	5.0 @ 3568
		57-2561 ¹	13.5 @ 5129	2001 MAZDA			
Miata	1.8L L4 F/I	69-6000TP ¹	3.6 @ 6499	B2300	2.3L L4 F/I	77-2552KP ¹	6.1 @ 4498
		69-6000TR ¹	3.6 @ 6499			57-2552 ¹	6.8 @ 4874
MX-5 II	1.8L L4 F/I	69-6000TR ²	3.6 @ 6499	B2500	2.5L L4 F/I	57-2540 ¹	6.6 @ 5000
		69-6000TP ²	3.6 @ 6499	B3000	3.0L V6 F/I	57-2533 ¹	5.5 @ 4721
RX-8	1.3L R2 F/I	69-6030-1TFK ¹	11.2 @ 8660	B4000	4.0L V6 F/I	77-2529KP ¹	5.3 @ 5095
2004 MAZDA						57-2529-1 ¹	6.9 @ 5244
3	2.0L L4 F/I - Non-US	69-6010TS ²	5.7 @ 4764	Miata	1.8L L4 F/I	69-6000TR ¹	3.6 @ 6499
		69-6010TR ²	5.7 @ 4764			69-6000TP ¹	3.6 @ 6499
3	2.3L L4 F/I	69-6010TS ¹	5.7 @ 4764	MX-5 II	1.8L L4 F/I	69-6000TR ²	3.6 @ 6499
		69-6010TR ¹	5.7 @ 4764			69-6000TP ²	3.6 @ 6499
6	2.3L L4 F/I - US	69-6025TS ¹	6.2 @ 5051	2000 MAZDA			
6	3.0L V6 F/I	69-6026TS ¹	6.6 @ 4700	B2500	2.5L L4 F/I	57-2540 ¹	6.6 @ 5000
B3000	3.0L V6 F/I	57-2560 ¹	10.0 @ 4921	B3000	3.0L V6 F/I	57-2533 ¹	5.5 @ 4721
B4000	4.0L V6 F/I	77-2561KP ¹	11.2 @ 4950	B4000	4.0L V6 F/I	57-2527 ¹	3.2 @ 3969
		57-2561 ¹	13.5 @ 5129	Miata	1.8L L4 F/I	69-6000TR ¹	3.6 @ 6499
Miata	1.8L L4 F/I	69-6000TR ¹	3.6 @ 6499			69-6000TP ¹	3.6 @ 6499
		69-6000TP ¹	3.6 @ 6499	MX-5 II	1.8L L4 F/I	69-6000TR ²	3.6 @ 6499
MX-5 II	1.8L L4 F/I	69-6000TR ²	3.6 @ 6499			69-6000TP ²	3.6 @ 6499
		69-6000TP ²	3.6 @ 6499	1999 MAZDA			
RX-8	1.3L R2 F/I	69-6030-1TFK ¹	11.2 @ 8660	B2500	2.5L L4 F/I	57-2540 ¹	6.6 @ 5000
2003 MAZDA				B3000	3.0L V6 F/I	57-2533 ¹	5.5 @ 4721
3	2.0L L4 F/I	69-6010TS ²	5.7 @ 4764	B4000	4.0L V6 F/I	57-2527 ¹	3.2 @ 3969
		69-6010TR ²	5.7 @ 4764	Miata	1.8L L4 F/I	69-6000TR ¹	3.6 @ 6499
6	2.3L L4 F/I - US	69-6025TS ¹	6.2 @ 5051			69-6000TP ¹	3.6 @ 6499
6	3.0L V6 F/I	69-6026TS ¹	6.6 @ 4700	MX-5 II	1.8L L4 F/I	69-6000TR ²	3.6 @ 6499
B2300	2.3L L4 F/I	77-2552KP ¹	6.1 @ 4498			69-6000TP ²	3.6 @ 6499
		57-2552 ¹	6.8 @ 4874	1998 MAZDA			
B3000	3.0L V6 F/I	57-2554 ¹	9.4 @ 4848	B2500	2.5L L4 F/I	57-2540 ¹	6.6 @ 5000
B4000	4.0L V6 F/I	77-2529KP ¹	5.3 @ 5095	B3000	3.0L V6 F/I	57-2533 ¹	5.5 @ 4721
		57-2529-1 ¹	6.9 @ 5244	B4000	4.0L V6 F/I	57-2527 ¹	3.2 @ 3969
Miata	1.8L L4 F/I	69-6000TR ¹	3.6 @ 6499	Miata	1.8L L4 F/I	69-6000TR ²	3.6 @ 6499
		69-6000TP ¹	3.6 @ 6499			69-6000TP ²	3.6 @ 6499
MX-5 II	1.8L L4 F/I	69-6000TR ²	3.6 @ 6499	MX-5 II	1.8L L4 F/I	69-6000TR ²	3.6 @ 6499
		69-6000TP ²	3.6 @ 6499			69-6000TP ²	3.6 @ 6499
Protege	2.0L L4 F/I	69-6020TS ¹	5.0 @ 3568	1997 MAZDA			
		69-6020TR ¹	5.0 @ 3568	B2300	2.3L L4 F/I - w/Manual Trans.	57-2535 ¹	6.1 @ 5200
Protege5	2.0L L4 F/I	69-6020TS ¹	5.0 @ 3568	B4000	4.0L V6 F/I	57-2527 ¹	3.2 @ 3969
		69-6020TR ¹	5.0 @ 3568	MX-6	2.5L V6 F/I	57-2507 ¹	
RX-8	1.3L R2 F/I	69-6030-1TFK ¹	11.2 @ 8660	1996 MAZDA			
2002 MAZDA				B2300	2.3L L4 F/I - w/Manual Trans.	57-2535 ¹	6.1 @ 5200
B2300	2.3L L4 F/I	77-2552KP ¹	6.1 @ 4498	MX-6	2.5L V6 F/I	57-2507 ¹	
		57-2552 ¹	6.8 @ 4874	1995 MAZDA			
B3000	3.0L V6 F/I	57-2554 ¹	9.4 @ 4848	B2300	2.3L L4 F/I - w/Manual Trans.	57-2535 ¹	6.1 @ 5200
B4000	4.0L V6 F/I	77-2529KP ¹	5.3 @ 5095	MX-6	2.5L V6 F/I	57-2507 ¹	
		57-2529-1 ¹	6.9 @ 5244	1994 MAZDA			
Miata	1.8L L4 F/I	69-6000TR ¹	3.6 @ 6499	B2300	2.3L L4 F/I - w/Manual Trans.	57-2535 ¹	6.1 @ 5200
		69-6000TP ¹	3.6 @ 6499	MX-6	2.5L V6 F/I	57-2507 ¹	
MP3	2.0L L4 F/I	69-6020TS ¹	5.0 @ 3568				
		69-6020TR ¹	5.0 @ 3568				

1) Street legal in all US states. 2) Not legal for sale or use on any pollution controlled motor vehicle in California or states adopting California emission procedures.

* Estimated horsepower gains are based on specific or similar vehicle dyno tests. Results will vary. See Page 478 for more information. Partial Listing - Complete List of Vehicles and Applications at knfilters.com. See page 5 for information on intake tube materials/colors.

AIR INTAKE SYSTEMS

MAZDA

Vehicle	Engine Type	Part Number	Estimated Horsepower*	Vehicle	Engine Type	Part Number	Estimated Horsepower*
1994 MAZDA				2010 MINI			
MX-6	2.5L V6 F/I	57-2507 ¹		Cooper	1.6L L4 F/I - Non-US, w/Manual Trans.	69-2022TS ²	
1993 MAZDA				Cooper	1.6L L4 F/I - US	69-2005TTK ¹	4.1 @ 5300
Miata	1.6L L4 F/I	57-5001 ¹	4.1 @ 5828	Cooper Clubman	1.6L L4 F/I - w/Manual Trans.	69-2022TS ²	
MX-6	2.5L V6 F/I	57-2507 ¹		Cooper S	1.6L L4 F/I - US	69-2004TTK ¹	11.2 @ 4700
1992 MAZDA				2009 MINI			
Miata	1.6L L4 F/I	57-5001 ¹	4.1 @ 5828	Cooper	1.6L L4 F/I - US	69-2005TTK ¹	4.1 @ 5300
1991 MAZDA				Cooper	1.6L L4 F/I - w/Manual Trans.	69-2022TS ²	
Miata	1.6L L4 F/I	57-5001 ¹	4.1 @ 5828	Cooper Clubman	1.6L L4 F/I - US	69-2005TTK ¹	4.1 @ 5300
1990 MAZDA				Cooper Clubman	1.6L L4 F/I - w/Manual Trans.	69-2022TS ²	
Miata	1.6L L4 F/I	57-5001 ¹	4.1 @ 5828	Cooper S	1.6L L4 F/I - US	69-2004TTK ¹	11.2 @ 4700
1988 MAZDA				2008 MINI			
RX-7	1.3L R2 F/I - Exc. Turbo	57-5005 ¹		Cooper	1.6L L4 F/I - Non-US, Coupe, w/Manual Trans.	69-2022TS ²	
1987 MAZDA				Cooper	1.6L L4 F/I - US	69-2005TTK ¹	4.1 @ 5300
RX-7	1.3L R2 F/I - Exc. Turbo	57-5005 ¹		Cooper Clubman	1.6L L4 F/I - US	69-2005TTK ¹	4.1 @ 5300
1986 MAZDA				Cooper S	1.6L L4 F/I - US	69-2004TTK ¹	11.2 @ 4700
RX-7	1.3L R2 F/I - Exc. Turbo	57-5005 ¹		One	1.4L L4 F/I - Exc., Convertible	69-2022TS ²	
2016 MINI				2007 MINI			
Cooper	1.5L L3 F/I	69-2026TTK ²	6.5 @ 3200	Cooper	1.6L L4 F/I - Non-US, Coupe, w/Manual Trans.	69-2022TS ²	
Cooper Clubman	1.5L L3 F/I	69-2026TTK ²	6.5 @ 3200	Cooper	1.6L L4 F/I - US	69-2005TTK ¹	4.1 @ 5300
Cooper John	2.0L L4 F/I	69-2026TTK ²	9.0 @ 5400	Cooper S	1.6L L4 F/I - Convertible	69-2021TP ¹	4.1 @ 5997
Cooper Works				Cooper S	1.6L L4 F/I - US, Coupe	69-2004TTK ¹	11.2 @ 4700
Cooper S	2.0L L4 F/I	69-2026TTK ²	6.5 @ 3200	One	1.4L L4 F/I - Exc., Convertible	69-2022TS ²	
2015 MINI				2006 MINI			
Cooper	1.5L L3 F/I	69-2026TTK ²	6.5 @ 3200	Cooper	1.6L L4 F/I	69-2020TR ¹	4.3 @ 5950
Cooper S	1.6L L4 F/I	69-2023TS ²	8.5 @ 5200			69-2020TP ¹	4.3 @ 5950
Cooper S	2.0L L4 F/I	69-2026TTK ²	6.5 @ 3200	Cooper S	1.6L L4 F/I - w/Manual Trans.	69-2021TP ¹	4.1 @ 5997
2014 MINI				One	1.6L L4 F/I	69-2020TR ²	4.3 @ 5950
Cooper	1.5L L3 F/I	69-2026TTK ²	6.5 @ 3200			69-2020TP ²	4.3 @ 5950
Cooper	1.6L L4 F/I - US	69-2024TTK ²	3.0 @ 5504	Works	1.6L L4 F/I	69-2021TP ²	4.1 @ 5997
Cooper John	1.6L L4 F/I	69-2025TS ²	6.0 @ 5602	2005 MINI			
Cooper Works				Cooper	1.6L L4 F/I	69-2020TR ¹	4.3 @ 5950
Cooper S	1.6L L4 F/I	69-2023TS ²	8.5 @ 5200			69-2020TP ¹	4.3 @ 5950
Cooper S	2.0L L4 F/I	69-2026TTK ²	6.5 @ 3200	Cooper S	1.6L L4 F/I	69-2021TP ¹	4.1 @ 5997
2013 MINI				One	1.6L L4 F/I	69-2020TR ²	4.3 @ 5950
Cooper	1.6L L4 F/I - US	69-2024TTK ²	3.0 @ 5504			69-2020TP ²	4.3 @ 5950
Cooper John	1.6L L4 F/I	69-2025TS ²	6.0 @ 5602	Works	1.6L L4 F/I	69-2021TP ²	4.1 @ 5997
Cooper Works GP				2004 MINI			
Cooper S	1.6L L4 F/I	69-2023TS ²	8.5 @ 5200	Cooper	1.6L L4 F/I	69-2020TR ¹	4.3 @ 5950
2012 MINI						69-2020TP ¹	4.3 @ 5950
Cooper	1.6L L4 F/I - US	69-2024TTK ²	3.0 @ 5504	Cooper S	1.6L L4 F/I	69-2021TP ¹	4.1 @ 5997
Cooper John	1.6L L4 F/I	69-2025TS ²	6.0 @ 5602	One	1.6L L4 F/I	69-2020TR ²	4.3 @ 5950
Cooper Works						69-2020TP ²	4.3 @ 5950
Cooper S	1.6L L4 F/I	69-2023TS ²	8.5 @ 5200	Works	1.6L L4 F/I	69-2021TP ²	4.1 @ 5997
2011 MINI				2003 MINI			
Cooper	1.6L L4 F/I - US	69-2005TTK ¹	4.1 @ 5300	Cooper	1.6L L4 F/I	69-2020TR ¹	4.3 @ 5950
Cooper John	1.6L L4 F/I	69-2025TS ²	6.0 @ 5602			69-2020TP ¹	4.3 @ 5950
Cooper Works				Cooper S	1.6L L4 F/I	69-2021TP ¹	4.1 @ 5997
Cooper John	1.6L L4 F/I	69-2025TS ²	6.0 @ 5602	One	1.6L L4 F/I	69-2020TR ²	4.3 @ 5950
Cooper Works						69-2020TP ²	4.3 @ 5950
Cooper Works Clubman				Works	1.6L L4 F/I	69-2021TP ²	4.1 @ 5997
Cooper S	1.6L L4 F/I	69-2023TS ²	8.5 @ 5200	2002 MINI			
				Cooper	1.6L L4 F/I	69-2020TR ¹	4.3 @ 5950
						69-2020TP ¹	4.3 @ 5950
				Cooper S	1.6L L4 F/I	69-2021TP ¹	4.1 @ 5997
				One	1.6L L4 F/I	69-2020TR ²	4.3 @ 5950
						69-2020TP ²	4.3 @ 5950
				Works	1.6L L4 F/I	69-2021TP ²	4.1 @ 5997

1) Street legal in all US states. 2) Not legal for sale or use on any pollution controlled motor vehicle in California or states adopting California emission procedures.

* Estimated horsepower gains are based on specific or similar vehicle dyno tests. Results will vary. See Page 478 for more information. Partial Listing - Complete List of Vehicles and Applications at knfilters.com. See page 5 for information on intake tube materials/colors.

MINI

AIR INTAKE SYSTEMS

Vehicle	Engine Type	Part Number	Estimated Horsepower*	Vehicle	Engine Type	Part Number	Estimated Horsepower*
2003 MINI				2009 MITSUBISHI			
One	1.6L L4 F/I	69-2020TP ²	4.3 @ 5950	Lancer Evolution	2.0L L4 F/I	69-6546TWR ¹	21.4 @ 6100
Works	1.6L L4 F/I	69-2021TP ²	4.1 @ 5997	GSR			
2002 MINI				2008 MITSUBISHI			
Cooper	1.6L L4 F/I	69-2020TR ¹	4.3 @ 5950	Eclipse	3.8L V6 F/I	69-6502TR ¹	13.1 @ 5400
		69-2020TP ¹	4.3 @ 5950	Lancer	2.0L L4 F/I	69-6544TS ¹	6.7 @ 5100
Cooper S	1.6L L4 F/I	69-2021TP ¹	4.1 @ 5997	Lancer Evolution	2.0L L4 F/I	69-6546TWR ¹	21.4 @ 6100
One	1.6L L4 F/I	69-2020TR ²	4.3 @ 5950	GSR			
		69-2020TP ²	4.3 @ 5950	Raider	3.7L V6 F/I	77-1558KP ¹	6.1 @ 4200
2001 MINI						57-1558 ¹	9.2 @ 4200
Cooper	1.6L L4 F/I	69-2020TR ²	4.3 @ 5950	2007 MITSUBISHI			
		69-2020TP ²	4.3 @ 5950	Eclipse	3.8L V6 F/I	69-6502TR ¹	13.1 @ 5400
One	1.6L L4 F/I	69-2020TR ²	4.3 @ 5950	Raider	3.7L V6 F/I	77-1558KP ¹	6.1 @ 4200
		69-2020TP ²	4.3 @ 5950			57-1558 ¹	9.2 @ 4200
2000 MINI				Raider	4.7L V8 F/I	77-1546KP ¹	7.3 @ 4475
Cooper	1.6L L4 F/I	69-2020TR ²	4.3 @ 5950			57-1546 ¹	9.2 @ 4524
		69-2020TP ²	4.3 @ 5950	2006 MITSUBISHI			
2014 MITSUBISHI				Eclipse	3.8L V6 F/I	69-6502TR ¹	13.1 @ 5400
Lancer	2.0L L4 F/I	69-6544TS ¹	6.7 @ 5100	Lancer	2.0L L4 F/I	69-6540TP ¹	4.3 @ 4491
Lancer	2.4L L4 F/I	69-6544TS ¹	6.7 @ 5100			69-6540TB ¹	4.3 @ 4491
Lancer Evolution	2.0L L4 F/I	69-6546TWR ²	21.4 @ 6100	Raider	3.7L V6 F/I	77-1547KP ¹	6.0 @ 4943
GSR						57-1547 ¹	8.7 @ 4749
2013 MITSUBISHI				Raider	4.7L V8 F/I	77-1546KP ¹	7.3 @ 4475
Lancer	2.0L L4 F/I	69-6544TS ¹	6.7 @ 5100			57-1546 ¹	9.2 @ 4524
Lancer	2.4L L4 F/I	69-6544TS ¹	6.7 @ 5100	2005 MITSUBISHI			
Lancer Evolution	2.0L L4 F/I	69-6546TWR ¹	21.4 @ 6100	Eclipse	2.4L L4 F/I	69-6506TS ²	5.9 @ 4213
GSR						69-6506TR ¹	5.9 @ 4213
2012 MITSUBISHI				Eclipse	3.0L V6 F/I	57-5505 ¹	5.4 @ 5500
Lancer	2.0L L4 F/I	69-6544TS ¹	6.7 @ 5100	Eclipse GT	3.0L V6 F/I	69-6501TP ¹	6.9 @ 5800
Lancer	2.4L L4 F/I	69-6544TS ¹	6.7 @ 5100			69-6501TB ¹	6.9 @ 5800
Lancer Evolution	2.0L L4 F/I	69-6546TWR ¹	21.4 @ 6100	Lancer	2.0L L4 F/I	57-5505 ¹	5.4 @ 5500
GSR						69-6540TP ¹	4.3 @ 4491
2011 MITSUBISHI						69-6540TB ¹	4.3 @ 4491
Eclipse	3.8L V6 F/I	69-6502TR ¹	13.1 @ 5400	Lancer Evolution	2.0L L4 F/I	69-6543TR ¹	12.9 @ 5200
Lancer	2.0L L4 F/I	69-6544TS ¹	6.7 @ 5100			69-6543TP ¹	12.9 @ 5200
Lancer	2.4L L4 F/I - Exc. LEV2 SULEV Test Group BMTXV02.4G6G	69-6544TS ¹	6.7 @ 5100	2004 MITSUBISHI			
Lancer Evolution	2.0L L4 F/I	69-6546TWR ¹	21.4 @ 6100	Eclipse	2.4L L4 F/I	69-6506TS ¹	5.9 @ 4213
GSR						69-6506TR ¹	5.9 @ 4213
2010 MITSUBISHI				Eclipse	3.0L V6 F/I	57-5505 ¹	5.4 @ 5500
Eclipse	3.8L V6 F/I	69-6502TR ¹	13.1 @ 5400	Eclipse GT	3.0L V6 F/I	69-6501TP ¹	6.9 @ 5800
Lancer	2.0L L4 F/I - Exc. LEV2 SULEV Test Group AMTXV02.0G6G	69-6544TS ¹	6.7 @ 5100			69-6501TB ¹	6.9 @ 5800
Lancer	2.4L L4 F/I - Exc. LEV2 SULEV Test Group AMTXV02.4G6G	69-6544TS ¹	6.7 @ 5100	Lancer	2.0L L4 F/I	57-5505 ¹	5.4 @ 5500
Lancer Evolution	2.0L L4 F/I	69-6546TWR ¹	21.4 @ 6100			69-6540TP ¹	4.3 @ 4491
GSR				Lancer Evolution	2.0L L4 F/I	69-6543TR ¹	12.9 @ 5200
2009 MITSUBISHI						69-6543TP ¹	12.9 @ 5200
Eclipse	3.8L V6 F/I	69-6502TR ¹	13.1 @ 5400	2003 MITSUBISHI			
Lancer	2.0L L4 F/I - Exc. LEV2 SULEV Test Group 9MTXV02.0G6G	69-6544TS ¹	6.7 @ 5100	Eclipse	2.4L L4 F/I	69-6506TS ¹	5.9 @ 4213
Lancer	2.4L L4 F/I	69-6544TS ¹	6.7 @ 5100			69-6506TR ¹	5.9 @ 4213
				Eclipse	3.0L V6 F/I	57-5505 ¹	5.4 @ 5500
				Eclipse GT	3.0L V6 F/I	69-6501TP ¹	6.9 @ 5800
						69-6501TB ¹	6.9 @ 5800
				Lancer	2.0L L4 F/I	57-5505 ¹	5.4 @ 5500
						69-6540TP ¹	4.3 @ 4491
						69-6540TB ¹	4.3 @ 4491

1) Street legal in all US states. 2) Not legal for sale or use on any pollution controlled motor vehicle in California or states adopting California emission procedures.

* Estimated horsepower gains are based on specific or similar vehicle dyno tests. Results will vary. See Page 478 for more information. Partial Listing - Complete List of Vehicles and Applications at knfilters.com. See page 5 for information on intake tube materials/colors.

AIR INTAKE SYSTEMS

MITSUBISHI

Vehicle	Engine Type	Part Number	Estimated Horsepower*	Vehicle	Engine Type	Part Number	Estimated Horsepower*
2003 MITSUBISHI				2016 NISSAN			
Lancer Evolution	2.0L L4 F/I	69-6543TR ¹	12.9 @ 5200	370Z	3.7L V6 F/I	69-7078TS ²	14.2 @ 5600
		69-6543TP ¹	12.9 @ 5200	Altima	2.5L L4 F/I	69-7064TS ²	
2002 MITSUBISHI				Altima	3.5L V6 F/I	69-7063TTK ²	7.1 @ 5354
Eclipse	2.4L L4 F/I	69-6506TS ¹	5.9 @ 4213	Frontier	4.0L V6 F/I	63-6014 ²	14.3 @ 5075
		69-6506TR ¹	5.9 @ 4213	Maxima	3.5L V6 F/I	69-7002TTK ²	13.3 @ 5249
Eclipse	3.0L V6 F/I	69-6501TP ¹	6.9 @ 5800	Pathfinder	3.5L V6 F/I	69-7063TTK ²	7.1 @ 5354
		57-5505 ¹	5.4 @ 5500	2015 NISSAN			
		69-6501TB ¹	6.9 @ 5800	370Z	3.7L V6 F/I	69-7078TS ²	14.2 @ 5600
Lancer	2.0L L4 F/I	69-6540TP ¹	4.3 @ 4491	Altima	2.5L L4 F/I	69-7064TS ²	
		69-6540TB ¹	4.3 @ 4491	Altima	3.5L V6 F/I	69-7063TTK ²	7.1 @ 5354
2001 MITSUBISHI				Armada	5.6L V8 F/I	63-6012 ²	11.2 @ 5073
Eclipse	2.4L L4 F/I	69-6506TS ¹	5.9 @ 4213			77-6012KP ²	7.3 @ 4914
		69-6506TR ¹	5.9 @ 4213	Frontier	4.0L V6 F/I	63-6014 ²	14.3 @ 5075
Eclipse	3.0L V6 F/I	69-6501TP ¹	6.9 @ 5800			77-6014-1KP ²	11.6 @ 5200
		69-6501TB ¹	6.9 @ 5800	Juke	1.6L L4 F/I - Non-US, Turbo	69-7079TS ²	7.2 @ 5936
		57-5505 ¹	5.4 @ 5500	Maxima	3.5L V6 F/I	69-7002TTK ²	13.3 @ 5249
2000 MITSUBISHI				Pathfinder	3.5L V6 F/I	69-7063TTK ²	7.1 @ 5354
Eclipse	2.4L L4 F/I	69-6506TS ¹	5.9 @ 4213	Sentra	1.8L L4 F/I	69-7003TTK ²	2.4 @ 5255
		69-6506TR ¹	5.9 @ 4213	Titan	5.6L V8 F/I	63-6012 ²	11.2 @ 5073
Eclipse	3.0L V6 F/I	69-6501TP ¹	6.9 @ 5800			77-6012KP ²	7.3 @ 4914
		69-6501TB ¹	6.9 @ 5800	Xterra	4.0L V6 F/I	63-6014 ²	14.3 @ 5075
		57-5505 ¹	5.4 @ 5500			77-6014-1KP ²	11.6 @ 5200
1999 MITSUBISHI				2014 NISSAN			
3000GT	3.0L V6 F/I	57-1500-1 ¹		370Z	3.7L V6 F/I	69-7078TS ¹	14.2 @ 5600
Eclipse	2.0L L4 F/I - Turbo	57-5504-1 ¹	7.7 @ 5900	Altima	2.5L L4 F/I - Exc. LEV2 SULEV Test Group ENSXV02.585A	69-7064TS ¹	
1998 MITSUBISHI				Altima	3.5L V6 F/I	69-7063TTK ¹	7.1 @ 5354
3000GT	3.0L V6 F/I	57-1500-1 ¹		Armada	5.6L V8 F/I	57-6012 ¹	11.2 @ 5073
Eclipse	2.0L L4 F/I - Turbo	57-5504-1 ¹	7.7 @ 5900			63-6012 ²	11.2 @ 5073
1997 MITSUBISHI						77-6012KP ¹	7.3 @ 4914
3000GT	3.0L V6 F/I	57-1500-1 ¹		Frontier	4.0L V6 F/I	57-6014 ¹	14.3 @ 5075
Eclipse	2.0L L4 F/I - Turbo	57-5504-1 ¹	7.7 @ 5900			63-6014 ²	14.3 @ 5075
1996 MITSUBISHI				Juke	1.6L L4 F/I - Turbo	69-7079TS ¹	7.2 @ 5936
3000GT	3.0L V6 F/I	57-1500-1 ¹		Maxima	3.5L V6 F/I	69-7002TTK ¹	13.3 @ 5249
Eclipse	2.0L L4 F/I - Turbo	57-5504-1 ¹	7.7 @ 5900	Pathfinder	3.5L V6 F/I	69-7063TTK ¹	7.1 @ 5354
1995 MITSUBISHI				Sentra	1.8L L4 F/I	69-7003TTK ¹	2.4 @ 5255
3000GT	3.0L V6 F/I	57-1500-1 ¹		Titan	5.6L V8 F/I	57-6012 ¹	11.2 @ 5073
Eclipse	2.0L L4 F/I - Turbo	57-5504-1 ¹	7.7 @ 5900			63-6012 ²	11.2 @ 5073
1994 MITSUBISHI						77-6012KP ¹	7.3 @ 4914
3000GT	3.0L V6 F/I	57-1500-1 ¹		Xterra	4.0L V6 F/I	57-6014 ¹	14.3 @ 5075
1993 MITSUBISHI						63-6014 ²	14.3 @ 5075
3000GT	3.0L V6 F/I	57-1500-1 ¹				77-6014-1KP ¹	11.6 @ 5200
Eclipse	2.0L L4 F/I - Exc. Turbo	57-5500 ¹		2013 NISSAN			
1992 MITSUBISHI				370Z	3.7L V6 F/I	69-7078TS ¹	14.2 @ 5600
3000GT	3.0L V6 F/I	57-1500-1 ¹		Altima	2.5L L4 F/I - Exc. LEV2 SULEV Test Group DNSXV02.585A	69-7064TS ¹	7.8 @ 41
Eclipse	2.0L L4 F/I - Exc. Turbo	57-5500 ¹		Altima	3.5L V6 F/I	69-7063TTK ¹	7.1 @ 5354
1991 MITSUBISHI				Altima Coupe	2.5L L4 F/I	69-7061TS ¹	6.9 @ 4927
3000GT	3.0L V6 F/I	57-1500-1 ¹		Armada	5.6L V8 F/I	57-6012 ¹	11.2 @ 5073
Eclipse	2.0L L4 F/I - Exc. Turbo	57-5500 ¹				63-6012 ²	11.2 @ 5073
1990 MITSUBISHI						77-6012KP ¹	7.3 @ 4914
Eclipse	2.0L L4 F/I - Exc. Turbo	57-5500 ¹		Frontier	4.0L V6 F/I	57-6014 ¹	14.3 @ 5075
						63-6014 ²	14.3 @ 5075

1) Street legal in all US states. 2) Not legal for sale or use on any pollution controlled motor vehicle in California or states adopting California emission procedures.

* Estimated horsepower gains are based on specific or similar vehicle dyno tests. Results will vary. See Page 478 for more information. Partial Listing - Complete List of Vehicles and Applications at knfilters.com. See page 5 for information on intake tube materials/colors.

NISSAN

AIR INTAKE SYSTEMS

Vehicle	Engine Type	Part Number	Estimated Horsepower*	Vehicle	Engine Type	Part Number	Estimated Horsepower*
2013 NISSAN				2011 NISSAN			
Frontier	4.0L V6 F/I	77-6014-1KP ¹	11.6 @ 5200	Xterra	4.0L V6 F/I	63-6014 ²	14.3 @ 5075
Juke	1.6L L4 F/I - Turbo	69-7079TS ¹	7.2 @ 5936			77-6014-1KP ¹	11.6 @ 5200
Maxima	3.5L V6 F/I	69-7002TTK ¹	13.3 @ 5249	2010 NISSAN			
Pathfinder	3.5L V6 F/I	69-7063TTK ¹	7.1 @ 5354	370Z	3.7L V6 F/I	69-7078TS ¹	14.2 @ 5600
Sentra	1.8L L4 F/I	69-7003TTK ¹	2.4 @ 5255	Altima	2.5L L4 F/I - Exc. LEV2 SULEV Test Group ANSXV02.585A	69-7061TS ¹	6.9 @ 4927
Titan	5.6L V8 F/I	57-6012 ¹	11.2 @ 5073			69-7062TTK ¹	9.4 @ 4300
		63-6012 ²	11.2 @ 5073	Altima	3.5L V6 F/I	77-6012KP ¹	7.3 @ 4914
		77-6012KP ¹	7.3 @ 4914	Armada	5.6L V8 F/I	57-6012 ¹	11.2 @ 5073
Xterra	4.0L V6 F/I	57-6014 ¹	14.3 @ 5075			63-6012 ²	11.2 @ 5073
		63-6014 ²	14.3 @ 5075	Cube	1.8L L4 F/I	69-7077TTK ¹	7.8 @ 4886
		77-6014-1KP ¹	11.6 @ 5200	Frontier	4.0L V6 F/I	57-6014 ¹	14.3 @ 5075
2012 NISSAN						63-6014 ²	14.3 @ 5075
370Z	3.7L V6 F/I	69-7078TS ¹	14.2 @ 5600			77-6014-1KP ¹	11.6 @ 5200
Altima	2.5L L4 F/I	69-7061TS ¹	6.9 @ 4927	Maxima	3.5L V6 F/I	69-7002TTK ¹	13.3 @ 5249
Altima	3.5L V6 F/I	69-7062TTK ¹	9.4 @ 4300	Pathfinder	4.0L V6 F/I	77-6014-1KP ¹	11.6 @ 5200
Armada	5.6L V8 F/I	57-6012 ¹	11.2 @ 5073			57-6014 ¹	14.3 @ 5075
		63-6012 ²	11.2 @ 5073			63-6014 ²	14.3 @ 5075
		77-6012KP ¹	7.3 @ 4914	Pathfinder	5.6L V8 F/I	77-6016KS ¹	10.8 @ 5137
Frontier	4.0L V6 F/I	57-6014 ¹	14.3 @ 5075	Sentra	2.5L L4 F/I	69-7001TTK ¹	6.7 @ 5900
		63-6014 ²	14.3 @ 5075	Titan	5.6L V8 F/I	57-6012 ¹	11.2 @ 5073
		77-6014-1KP ¹	11.6 @ 5200			63-6012 ²	11.2 @ 5073
Juke	1.6L L4 F/I - Non-US, Turbo	69-7079TS ²	7.2 @ 5936			77-6012KP ¹	7.3 @ 4914
Maxima	3.5L V6 F/I	69-7002TTK ¹	13.3 @ 5249	Xterra	4.0L V6 F/I	77-6014-1KP ¹	11.6 @ 5200
Pathfinder	4.0L V6 F/I	57-6014 ¹	14.3 @ 5075			57-6014 ¹	14.3 @ 5075
		63-6014 ²	14.3 @ 5075			63-6014 ²	14.3 @ 5075
		77-6014-1KP ¹	11.6 @ 5200	2009 NISSAN			
Pathfinder	5.6L V8 F/I	77-6016KS ¹	10.8 @ 5137	370Z	3.7L V6 F/I	69-7078TS ¹	14.2 @ 5600
Sentra	2.5L L4 F/I	69-7001TTK ¹	6.7 @ 5900	Altima	2.5L L4 F/I - Exc. LEV2 SULEV Test Group 9NSXV02.585A	69-7061TS ¹	6.9 @ 4927
Titan	5.6L V8 F/I	57-6012 ¹	11.2 @ 5073			69-7062TTK ¹	9.4 @ 4300
		63-6012 ²	11.2 @ 5073	Altima	3.5L V6 F/I	77-6012KP ¹	7.3 @ 4914
		77-6012KP ¹	7.3 @ 4914	Armada	5.6L V8 F/I	63-6012 ²	11.2 @ 5073
Xterra	4.0L V6 F/I	57-6014 ¹	14.3 @ 5075			57-6012 ¹	11.2 @ 5073
		63-6014 ²	14.3 @ 5075	Cube	1.8L L4 F/I	69-7077TTK ¹	7.8 @ 4886
		77-6014-1KP ¹	11.6 @ 5200	Frontier	4.0L V6 F/I	77-6014-1KP ¹	11.6 @ 5200
2011 NISSAN						57-6014 ¹	14.3 @ 5075
370Z	3.7L V6 F/I	69-7078TS ¹	14.2 @ 5600			63-6014 ²	14.3 @ 5075
Altima	2.5L L4 F/I - Exc. LEV2 SULEV Test Group BNSXV02.585A	69-7061TS ¹	6.9 @ 4927	Maxima	3.5L V6 F/I	69-7002TTK ¹	13.3 @ 5249
Altima	3.5L V6 F/I	69-7062TTK ¹	9.4 @ 4300	Pathfinder	4.0L V6 F/I	77-6014-1KP ¹	11.6 @ 5200
Armada	5.6L V8 F/I	57-6012 ¹	11.2 @ 5073			63-6014 ²	14.3 @ 5075
		63-6012 ²	11.2 @ 5073			57-6014 ¹	14.3 @ 5075
		77-6012KP ¹	7.3 @ 4914	Pathfinder	5.6L V8 F/I	77-6016KS ¹	10.8 @ 5137
Frontier	4.0L V6 F/I	57-6014 ¹	14.3 @ 5075	Sentra	2.5L L4 F/I	69-7001TTK ¹	6.7 @ 5900
		63-6014 ²	14.3 @ 5075	Titan	5.6L V8 F/I	57-6012 ¹	11.2 @ 5073
		77-6014-1KP ¹	11.6 @ 5200			77-6012KP ¹	7.3 @ 4914
Maxima	3.5L V6 F/I	69-7002TTK ¹	13.3 @ 5249			63-6012 ²	11.2 @ 5073
Pathfinder	4.0L V6 F/I	57-6014 ¹	14.3 @ 5075	Xterra	4.0L V6 F/I	77-6014-1KP ¹	11.6 @ 5200
		63-6014 ²	14.3 @ 5075			63-6014 ²	14.3 @ 5075
		77-6014-1KP ¹	11.6 @ 5200			57-6014 ¹	14.3 @ 5075
Pathfinder	5.6L V8 F/I	77-6016KS ¹	10.8 @ 5137	2008 NISSAN			
Sentra	2.5L L4 F/I	69-7001TTK ¹	6.7 @ 5900	350Z	3.5L V6 F/I	69-7071TS ¹	8.2 @ 5800
Titan	5.6L V8 F/I	57-6012 ¹	11.2 @ 5073	Altima	2.5L L4 F/I - Exc. LEV2 SULEV Test Group 8NSXV02.585A	69-7061TS ¹	6.9 @ 4927
		63-6012 ²	11.2 @ 5073				
		77-6012KP ¹	7.3 @ 4914				
Xterra	4.0L V6 F/I	57-6014 ¹	14.3 @ 5075				

1) Street legal in all US states. 2) Not legal for sale or use on any pollution controlled motor vehicle in California or states adopting California emission procedures.

* Estimated horsepower gains are based on specific or similar vehicle dyno tests. Results will vary. See Page 478 for more information. Partial Listing - Complete List of Vehicles and Applications at knfilters.com. See page 5 for information on intake tube materials/colors.

AIR INTAKE SYSTEMS

NISSAN

Vehicle	Engine Type	Part Number	Estimated Horsepower*	Vehicle	Engine Type	Part Number	Estimated Horsepower*
2008 NISSAN				2006 NISSAN			
Altima	3.5L V6 F/I	69-7062TTK ¹	9.4 @ 4300	Pathfinder	4.0L V6 F/I	57-6014 ¹	14.3 @ 5075
Armada	5.6L V8 F/I	77-6012KP ¹	7.3 @ 4914	Sentra	2.5L L4 F/I	69-7000TR ¹	7.7 @ 5253
		63-6012 ²	11.2 @ 5073			69-7000TP ¹	7.7 @ 5253
		57-6012 ¹	11.2 @ 5073	Titan	5.6L V8 F/I	77-6012KP ¹	7.3 @ 4914
Frontier	4.0L V6 F/I	77-6014-1KP ¹	11.6 @ 5200			57-6012 ¹	11.2 @ 5073
		63-6014 ²	14.3 @ 5075	Xterra	4.0L V6 F/I	77-6014-1KP ¹	11.6 @ 5200
		57-6014 ¹	14.3 @ 5075			57-6014 ¹	14.3 @ 5075
Maxima	3.5L V6 F/I	57-6015 ¹	7.4 @ 5001	2005 NISSAN			
		63-6015 ²	7.4 @ 5001	350Z	3.5L V6 F/I	69-7070TP ¹	7.7 @ 6208
Pathfinder	4.0L V6 F/I	77-6014-1KP ¹	11.6 @ 5200			69-7070TB ¹	7.7 @ 6208
		63-6014 ²	14.3 @ 5075			57-6013 ¹	10.7 @ 5500
		57-6014 ¹	14.3 @ 5075	Altima	2.5L L4 F/I - Exc. LEV2 SULEV Test Group 5NSXV02.585A	69-7060TS ¹	7.0 @ 5498
Pathfinder	5.6L V8 F/I	77-6016KS ¹	10.8 @ 5137	Altima	3.5L V6 F/I	63-6015 ²	7.4 @ 5001
		63-6016 ²				57-6015 ¹	7.4 @ 5001
		57-6016 ²		Armada	5.6L V8 F/I	77-6012KP ¹	7.3 @ 4914
Sentra	2.5L L4 F/I	69-7001TTK ¹	6.7 @ 5900			57-6012 ¹	11.2 @ 5073
Titan	5.6L V8 F/I	57-6012 ¹	11.2 @ 5073	Frontier	4.0L V6 F/I	77-6014-1KP ¹	11.6 @ 5200
		77-6012KP ¹	7.3 @ 4914			57-6014 ¹	14.3 @ 5075
		63-6012 ²	11.2 @ 5073	Maxima	3.5L V6 F/I	63-6015 ²	7.4 @ 5001
Xterra	4.0L V6 F/I	77-6014-1KP ¹	11.6 @ 5200			57-6015 ¹	7.4 @ 5001
		63-6014 ²	14.3 @ 5075	Pathfinder	4.0L V6 F/I	77-6014-1KP ¹	11.6 @ 5200
		57-6014 ¹	14.3 @ 5075			57-6014 ¹	14.3 @ 5075
2007 NISSAN				Sentra	2.5L L4 F/I	69-7000TR ¹	7.7 @ 5253
350Z	3.5L V6 F/I	69-7071TS ¹	8.2 @ 5800			69-7000TP ¹	7.7 @ 5253
Altima	2.5L L4 F/I - Exc. LEV2 SULEV Test Group 7NSXV02.585A	69-7061TS ¹	6.9 @ 4927	Titan	5.6L V8 F/I	77-6012KP ¹	7.3 @ 4914
Altima	3.5L V6 F/I	69-7062TTK ¹	9.4 @ 4300			57-6012 ¹	11.2 @ 5073
Armada	5.6L V8 F/I	77-6012KP ¹	7.3 @ 4914	Xterra	4.0L V6 F/I	77-6014-1KP ¹	11.6 @ 5200
		57-6012 ¹	11.2 @ 5073			57-6014 ¹	14.3 @ 5075
Frontier	4.0L V6 F/I	57-6014 ¹	14.3 @ 5075	2004 NISSAN			
		77-6014-1KP ¹	11.6 @ 5200	350Z	3.5L V6 F/I	57-6013 ¹	10.7 @ 5500
Maxima	3.5L V6 F/I	63-6015 ²	7.4 @ 5001			69-7070TP ¹	7.7 @ 6208
		57-6015 ¹	7.4 @ 5001			69-7070TB ¹	7.7 @ 6208
Pathfinder	4.0L V6 F/I	77-6014-1KP ¹	11.6 @ 5200	Altima	2.5L L4 F/I - Exc. LEV2 SULEV Test Group 4NSXV02.585A	69-7060TS ¹	7.0 @ 5498
		57-6014 ¹	14.3 @ 5075	Altima	3.5L V6 F/I	57-6015 ¹	7.4 @ 5001
Sentra	2.5L L4 F/I	69-7001TTK ¹	6.7 @ 5900			63-6015 ²	7.4 @ 5001
Titan	5.6L V8 F/I	77-6012KP ¹	7.3 @ 4914	Frontier	3.3L V6 F/I - Exc. S/C	57-6005 ¹	5.5 @ 4847
		57-6012 ¹	11.2 @ 5073	Frontier	3.3L V6 F/I - S/C	57-6010 ¹	12.7 @ 4824
Xterra	4.0L V6 F/I	77-6014-1KP ¹	11.6 @ 5200	Maxima	3.5L V6 F/I	57-6015 ¹	7.4 @ 5001
		57-6014 ¹	14.3 @ 5075			63-6015 ²	7.4 @ 5001
2006 NISSAN				Pathfinder	3.5L V6 F/I	57-6011 ¹	14.5 @ 5918
350Z	3.5L V6 F/I	57-6013 ¹	10.7 @ 5500	Pathfinder	5.6L V8 F/I	77-6012KP ¹	7.3 @ 4914
		69-7070TP ¹	7.7 @ 6208			57-6012 ¹	11.2 @ 5073
		69-7070TB ¹	7.7 @ 6208	Sentra	2.5L L4 F/I	69-7000TP ¹	7.7 @ 5253
Altima	2.5L L4 F/I - Exc. LEV2 SULEV Test Group 6NSXV02.585A	69-7060TS ¹	7.0 @ 5498			69-7000TR ¹	7.7 @ 5253
Altima	3.5L V6 F/I	63-6015 ²	7.4 @ 5001	Titan	5.6L V8 F/I	77-6012KP ¹	7.3 @ 4914
		57-6015 ¹	7.4 @ 5001			57-6012 ¹	11.2 @ 5073
Armada	5.6L V8 F/I	77-6012KP ¹	7.3 @ 4914	Xterra	3.3L V6 F/I - Exc. S/C	57-6005 ¹	5.5 @ 4847
		57-6012 ¹	11.2 @ 5073	Xterra	3.3L V6 F/I - S/C	57-6010 ¹	12.7 @ 4824
Frontier	4.0L V6 F/I	57-6014 ¹	14.3 @ 5075	2003 NISSAN			
		77-6014-1KP ¹	11.6 @ 5200	350Z	3.5L V6 F/I	69-7070TP ¹	7.7 @ 6208
Maxima	3.5L V6 F/I	63-6015 ²	7.4 @ 5001			69-7070TB ¹	7.7 @ 6208
		57-6015 ¹	7.4 @ 5001			57-6013 ¹	10.7 @ 5500
Pathfinder	4.0L V6 F/I	77-6014-1KP ¹	11.6 @ 5200				

1) Street legal in all US states. 2) Not legal for sale or use on any pollution controlled motor vehicle in California or states adopting California emission procedures.

* Estimated horsepower gains are based on specific or similar vehicle dyno tests. Results will vary. See Page 478 for more information. Partial Listing - Complete List of Vehicles and Applications at knfilters.com. See page 5 for information on intake tube materials/colors.

NISSAN

AIR INTAKE SYSTEMS

Vehicle	Engine Type	Part Number	Estimated Horsepower*	Vehicle	Engine Type	Part Number	Estimated Horsepower*
2003 NISSAN				1991 NISSAN			
Altima	2.5L L4 F/I	69-7060TS ¹	7.0 @ 5498	Sentra	2.0L L4 F/I	57-6003 ¹	
Frontier	3.3L V6 F/I - Exc. S/C	57-6005 ¹	5.5 @ 4847	1990 NISSAN			
Frontier	3.3L V6 F/I - S/C	57-6010 ¹	12.7 @ 4824	240SX	2.4L L4 F/I	57-6000 ¹	
Pathfinder	3.5L V6 F/I	57-6011 ¹	14.5 @ 5918	300ZX	3.0L V6 F/I - US	57-6001 ¹	
Sentra	2.5L L4 F/I	69-7000TR ¹	7.7 @ 5253	1989 NISSAN			
		69-7000TP ¹	7.7 @ 5253	240SX	2.4L L4 F/I	57-6000 ¹	
Xterra	3.3L V6 F/I - Exc. S/C	57-6005 ¹	5.5 @ 4847	300ZX	3.0L V6 F/I	57-6002 ¹	
Xterra	3.3L V6 F/I - S/C	57-6010 ¹	12.7 @ 4824	1988 NISSAN			
2002 NISSAN				300ZX	3.0L V6 F/I	57-6002 ¹	
Altima	2.5L L4 F/I	69-7060TS ¹	7.0 @ 5498	1987 NISSAN			
Frontier	3.3L V6 F/I - Exc. S/C	57-6005 ¹	5.5 @ 4847	300ZX	3.0L V6 F/I	57-6002 ¹	
Frontier	3.3L V6 F/I - S/C	57-6010 ¹	12.7 @ 4824	1986 NISSAN			
Pathfinder	3.5L V6 F/I	57-6011 ¹	14.5 @ 5918	300ZX	3.0L V6 F/I	57-6002 ¹	
Sentra	2.5L L4 F/I	69-7000TR ¹	7.7 @ 5253	1985 NISSAN			
		69-7000TP ¹	7.7 @ 5253	300ZX	3.0L V6 F/I	57-6002 ¹	
Xterra	3.3L V6 F/I - Exc. S/C	57-6005 ¹	5.5 @ 4847	1984 NISSAN			
Xterra	3.3L V6 F/I - S/C	57-6010 ¹	12.7 @ 4824	300ZX	3.0L V6 F/I	57-6002 ¹	
2001 NISSAN				2004 OLDSMOBILE			
Frontier	3.3L V6 F/I - Exc. S/C	57-6005 ¹	5.5 @ 4847	Bravada	4.2L L6 F/I	77-3036KP ¹	10.9 @ 5474
Frontier	3.3L V6 F/I - S/C	57-6010 ¹	12.7 @ 4824			57-3036 ¹	9.3 @ 5623
Pathfinder	3.5L V6 F/I	57-6011 ¹	14.5 @ 5918	2003 OLDSMOBILE			
Xterra	3.3L V6 F/I	57-6005 ¹	5.5 @ 4847	Bravada	4.2L L6 F/I	77-3036KP ¹	10.9 @ 5474
2000 NISSAN						57-3036 ¹	9.3 @ 5623
Frontier	3.3L V6 F/I	57-6005 ¹	5.5 @ 4847	2002 OLDSMOBILE			
Xterra	3.3L V6 F/I	57-6005 ¹	5.5 @ 4847	Bravada	4.2L L6 F/I	77-3036KP ¹	10.9 @ 5474
1999 NISSAN						57-3036 ¹	9.3 @ 5623
Frontier	3.3L V6 F/I	57-6005 ¹	5.5 @ 4847	1999 PLYMOUTH			
1998 NISSAN				Neon	2.0L L4 F/I - SOHC	57-1512 ¹	6.0 @ 5810
240SX	2.4L L4 F/I	69-7076TS ¹	4.9 @ 4471	1998 PLYMOUTH			
1997 NISSAN				Neon	2.0L L4 F/I - SOHC	57-1512 ¹	6.0 @ 5810
240SX	2.4L L4 F/I	69-7076TS ¹	4.9 @ 4471	1997 PLYMOUTH			
1996 NISSAN				Neon	2.0L L4 F/I - SOHC	57-1512 ¹	6.0 @ 5810
240SX	2.4L L4 F/I	69-7076TS ¹	4.9 @ 4471	1996 PLYMOUTH			
1995 NISSAN				Neon	2.0L L4 F/I - SOHC	57-1512 ¹	6.0 @ 5810
240SX	2.4L L4 F/I	69-7076TS ¹	4.9 @ 4471	1995 PLYMOUTH			
1994 NISSAN				Neon	2.0L L4 F/I - SOHC	57-1512 ¹	6.0 @ 5810
240SX	2.4L L4 F/I	69-7075TS ¹	10.7 @ 4500	1993 PLYMOUTH			
Sentra	2.0L L4 F/I	57-6003 ¹		Laser	2.0L L4 F/I - Exc. Turbo	57-5500 ¹	
1993 NISSAN				1992 PLYMOUTH			
240SX	2.4L L4 F/I	69-7075TS ¹	10.7 @ 4500	Laser	2.0L L4 F/I - Exc. Turbo	57-5500 ¹	
		57-6000 ¹		1991 PLYMOUTH			
300ZX	3.0L V6 F/I	57-6001 ¹		Laser	2.0L L4 F/I - Exc. Turbo	57-5500 ¹	
Sentra	2.0L L4 F/I	57-6003 ¹		1990 PLYMOUTH			
1992 NISSAN				Laser	2.0L L4 F/I - Exc. Turbo	57-5500 ¹	
240SX	2.4L L4 F/I	69-7075TS ¹	10.7 @ 4500	2010 PONTIAC			
		57-6000 ¹		G6	3.5L V6 F/I	69-7202-1TTK ²	5.2 @ 5196
300ZX	3.0L V6 F/I	57-6001 ¹		2009 PONTIAC			
Sentra	2.0L L4 F/I	57-6003 ¹		G6	3.5L V6 F/I	69-7202-1TTK ²	5.2 @ 5196
1991 NISSAN							
240SX	2.4L L4 F/I	69-7075TS ¹	10.7 @ 4500				
		57-6000 ¹					
300ZX	3.0L V6 F/I	57-6001 ¹					

1) Street legal in all US states. 2) Not legal for sale or use on any pollution controlled motor vehicle in California or states adopting California emission procedures.

* Estimated horsepower gains are based on specific or similar vehicle dyno tests. Results will vary. See Page 478 for more information. Partial Listing - Complete List of Vehicles and Applications at knfilters.com. See page 5 for information on intake tube materials/colors.

AIR INTAKE SYSTEMS

PONTIAC

Vehicle	Engine Type	Part Number	Estimated Horsepower*	Vehicle	Engine Type	Part Number	Estimated Horsepower*
2009 PONTIAC				2000 PONTIAC			
G8	3.6L V6 F/I	63-3072 ²	10.7 @ 6200	Firebird	3.8L V6 F/I	57-3041 ¹	6.8 @ 5066
G8	6.0L V8 F/I	63-3071 ²	10.4 @ 4707	Firebird	5.7L V8 F/I	57-3022-2 ¹	14.7 @ 5300
Solstice	2.4L L4 F/I	69-8432TS ¹	5.4 @ 4700	Grand Prix	3.8L V6 F/I	57-3045 ¹	13.3 @ 5224
2008 PONTIAC				1999 PONTIAC			
G6	3.5L V6 F/I	69-7202-1TTK ²	5.2 @ 5196	Firebird	3.8L V6 F/I	57-3041 ¹	6.8 @ 5066
G8	3.6L V6 F/I	63-3072 ²	10.7 @ 6200	Firebird	5.7L V8 F/I	57-3022-2 ¹	14.7 @ 5300
G8	6.0L V8 F/I	63-3071 ²	11.9 @ 4700	Grand Prix	3.8L V6 F/I	57-3045 ¹	13.3 @ 5224
Grand Prix	5.3L V8 F/I	63-3059 ²	13.5 @ 5222	1998 PONTIAC			
Solstice	2.0L L4 F/I	69-8433TTK ¹	11.0 @ 4900	Firebird	5.7L V8 F/I	57-3022-2 ¹	14.7 @ 5300
Solstice	2.4L L4 F/I	69-8432TS ¹	5.4 @ 4700	1997 PONTIAC			
2007 PONTIAC				Firebird	5.7L V8 F/I - w/o Ram Air or Traction Control	57-3010-1 ¹	18.3 @ 5331
G6	3.5L V6 F/I	69-7202-1TTK ¹	5.2 @ 5196	1996 PONTIAC			
Grand Prix	5.3L V8 F/I	63-3059 ²	13.5 @ 5222	Firebird	5.7L V8 F/I - w/o Ram Air or Traction Control	57-3010-1 ¹	18.3 @ 5331
Solstice	2.4L L4 F/I	69-8432TS ¹	5.4 @ 4700	1995 PONTIAC			
2006 PONTIAC				Firebird	3.4L V6 F/I - w/o Ram Air or Traction Control	57-3010-1 ¹	18.3 @ 5331
G6	3.5L V6 F/I	69-7202-1TTK ¹	5.2 @ 5196	Firebird	5.7L V8 F/I - w/o Ram Air or Traction Control	57-3010-1 ¹	18.3 @ 5331
Grand Prix	5.3L V8 F/I	63-3059 ²	13.5 @ 5222	1994 PONTIAC			
GTO	6.0L V8 F/I	63-3053 ²	14.0 @ 5700	Firebird	3.4L V6 F/I - w/o Ram Air or Traction Control	57-3010-1 ¹	18.3 @ 5331
Solstice	2.4L L4 F/I	69-8432TS ¹	5.4 @ 4700	Firebird	5.7L V8 F/I - w/o Ram Air or Traction Control	57-3010-1 ¹	18.3 @ 5331
Vibe GT	1.8L L4 F/I	69-8601TR ²	11.9 @ 7700	1993 PONTIAC			
		69-8601TP ²	11.9 @ 7700	Firebird	3.4L V6 F/I - w/o Ram Air or Traction Control	57-3010-1 ¹	18.3 @ 5331
2005 PONTIAC				Firebird	5.7L V8 F/I - w/o Ram Air or Traction Control	57-3010-1 ¹	18.3 @ 5331
G6	3.5L V6 F/I	69-7202-1TTK ¹	5.2 @ 5196	1992 PONTIAC			
Grand Prix	3.8L V6 F/I	57-3049 ¹	16.8 @ 5248	2007 PORSCHE			
GTO	6.0L V8 F/I	69-7201TP ¹	10.3 @ 5100	911 GT3	3.6L H6 F/I	57-7001 ¹	24.6 @ 6726
		57-3053 ¹	14.0 @ 5700			63-7001 ²	24.6 @ 6726
Vibe GT	1.8L L4 F/I	69-8601TR ²	11.9 @ 7700	2005 PORSCHE			
		69-8601TP ²	11.9 @ 7700	911	3.6L H6 F/I - Exc. Turbo	57-7000 ¹	23.8 @ 5500
2004 PONTIAC				2004 PORSCHE			
Grand Prix	3.8L V6 F/I	57-3049 ¹	16.8 @ 5248	911	3.6L H6 F/I - Exc. Turbo	57-7000 ¹	23.8 @ 5500
GTO	5.7L V8 F/I	69-7200TP ¹	15.4 @ 5100	2003 PORSCHE			
		57-3044 ¹	18.6 @ 5818	911 Carrera	3.6L H6 F/I	57-7000 ¹	23.8 @ 5500
Sunfire	2.2L L4 F/I	69-4510TS ¹	5.4 @ 5223	2002 PORSCHE			
Vibe	1.8L L4 F/I	69-8600TR ¹	8.7 @ 6250	911	3.6L H6 F/I	57-7000 ¹	23.8 @ 5500
		69-8600TP ¹	8.7 @ 6250	911 Carrera	3.6L H6 F/I	57-7000 ¹	23.8 @ 5500
Vibe GT	1.8L L4 F/I	69-8601TR ¹	11.9 @ 7700	2001 PORSCHE			
		69-8601TP ¹	11.9 @ 7700	911	3.4L H6 F/I	57-7000 ¹	23.8 @ 5500
2003 PONTIAC				911	3.6L H6 F/I - US	57-7000 ¹	23.8 @ 5500
Grand Prix	3.8L V6 F/I	57-3045 ¹	13.3 @ 5224	2000 PORSCHE			
Sunfire	2.2L L4 F/I	69-4510TS ¹	5.4 @ 5223	911	3.4L H6 F/I	57-7000 ¹	23.8 @ 5500
Vibe	1.8L L4 F/I	69-8600TR ¹	8.7 @ 6250	1999 PORSCHE			
		69-8600TP ¹	8.7 @ 6250	911	3.4L H6 F/I	57-7000 ¹	23.8 @ 5500
Vibe GT	1.8L L4 F/I	69-8601TR ¹	11.9 @ 7700	2016 RAM			
		69-8601TP ¹	11.9 @ 7700	1500	5.7L V8 F/I	63-1561 ²	15.7 @ 4688
2002 PONTIAC						71-1561 ²	7.2 @ 4643
Firebird	3.8L V6 F/I	57-3041 ¹	6.8 @ 5066			77-1561KP ²	10.3 @ 4382
Firebird	5.7L V8 F/I	57-3022-2 ¹	14.7 @ 5300				
Grand Prix	3.8L V6 F/I	57-3045 ¹	13.3 @ 5224				
Sunfire	2.2L L4 F/I - Exc. OHV	69-4510TS ¹	5.4 @ 5223				
2001 PONTIAC							
Firebird	3.8L V6 F/I	57-3041 ¹	6.8 @ 5066				
Firebird	5.7L V8 F/I	57-3022-2 ¹	14.7 @ 5300				
Grand Prix	3.8L V6 F/I	57-3045 ¹	13.3 @ 5224				

1) Street legal in all US states. 2) Not legal for sale or use on any pollution controlled motor vehicle in California or states adopting California emission procedures.

* Estimated horsepower gains are based on specific or similar vehicle dyno tests. Results will vary. See Page 478 for more information. Partial Listing - Complete List of Vehicles and Applications at knfilters.com. See page 5 for information on intake tube materials/colors.

RAM

AIR INTAKE SYSTEMS

Vehicle	Engine Type	Part Number	Estimated Horsepower*	Vehicle	Engine Type	Part Number	Estimated Horsepower*
2016 RAM				2011 RAM			
2500	5.7L V8 F/I	63-1561 ² 71-1561 ² 77-1561KP ²	15.7 @ 4688 7.2 @ 4643 10.3 @ 4382	1500	5.7L V8 F/I	57-1561 ¹ 63-1561 ² 71-1561 ² 77-1561KP ¹	15.7 @ 4688 15.7 @ 4688 7.2 @ 4643 10.3 @ 4382
2500	6.7L L6 DSL	63-1568 ²	14.7 @ 2500	2500	6.7L L6 DSL	63-1562 ² 71-1562 ²	8.2 @ 2919 7.2 @ 3010
3500	6.7L L6 DSL	63-1568 ²	14.7 @ 2500	3500	6.7L L6 DSL	63-1562 ² 71-1562 ²	8.2 @ 2919 7.2 @ 3010
2015 RAM				2010 RAM			
1500	3.0L V6 DSL	63-1571 ²	11.2 @ 3300	Ram Pickup	3.7L V6 F/I	57-1537 ²	7.4 @ 5223
1500	5.7L V8 F/I	63-1561 ² 71-1561 ² 77-1561KP ²	15.7 @ 4688 7.2 @ 4643 10.3 @ 4382	2009 SATURN			
2500	5.7L V8 F/I	63-1561 ² 71-1561 ² 77-1561KP ²	15.7 @ 4688 7.2 @ 4643 10.3 @ 4382	Sky	2.4L L4 F/I	69-8432TS ¹	5.4 @ 4700
2500	6.4L V8 F/I	77-1568KTK ²	15.6 @ 5005	2008 SATURN			
2500	6.7L L6 DSL	63-1568 ²	14.7 @ 2500	Sky	2.0L L4 F/I	69-8433TTK ¹	11.0 @ 4900
3500	6.4L V8 F/I	77-1568KTK ²	15.6 @ 5005	Sky	2.4L L4 F/I	69-8432TS ¹	5.4 @ 4700
3500	6.7L L6 DSL	63-1568 ²	14.7 @ 2500	2007 SATURN			
2014 RAM				Sky	2.4L L4 F/I	69-8432TS ¹	5.4 @ 4700
1500	3.6L V6 F/I	77-1564KS ²	12.0 @ 6371	Vue	3.5L V6 F/I	77-3000KS ¹	11.8 @ 5420
1500	5.7L V8 F/I	63-1561 ² 71-1561 ² 77-1561KP ²	15.7 @ 4688 7.2 @ 4643 10.3 @ 4382	2006 SATURN			
2500	5.7L V8 F/I	63-1561 ² 71-1561 ² 77-1561KP ²	15.7 @ 4688 7.2 @ 4643 10.3 @ 4382	Ion	2.0L L4 F/I	69-8431TP ¹	14.4 @ 6000
2500	6.4L V8 F/I	77-1568KTK ²	15.6 @ 5005	Vue	3.5L V6 F/I	77-3000KS ¹	11.8 @ 5420
2500	6.7L L6 DSL	63-1568 ²	14.7 @ 2500	2005 SATURN			
3500	6.4L V8 F/I	77-1568KTK ²	15.6 @ 5005	Ion	2.0L L4 F/I	69-8431TP ¹	14.4 @ 6000
3500	6.7L L6 DSL	63-1568 ²	14.7 @ 2500	Vue	3.5L V6 F/I	77-3000KS ¹	11.8 @ 5420
2013 RAM				2004 SATURN			
1500	3.6L V6 F/I	77-1564KS ²	12.0 @ 6371	Ion	2.0L L4 F/I	69-8431TP ¹	14.4 @ 6000
1500	5.7L V8 F/I	63-1561 ² 71-1561 ² 77-1561KP ²	15.7 @ 4688 7.2 @ 4643 10.3 @ 4382	Vue	3.5L V6 F/I	77-3000KS ¹	11.8 @ 5420
2500	5.7L V8 F/I	63-1561 ² 71-1561 ² 77-1561KP ²	15.7 @ 4688 7.2 @ 4643 10.3 @ 4382	1996 SATURN			
2500	6.7L L6 DSL	63-1568 ²	14.7 @ 2500	SC2	1.9L L4 F/I - Exc. TLEV	57-3012 ¹	models
3500	6.7L L6 DSL	63-1568 ²	14.7 @ 2500	SL2	1.9L L4 F/I - Exc. TLEV	57-3012 ¹	models
2012 RAM				SW2	1.9L L4 F/I - Exc. TLEV	57-3012 ¹	models
1500	4.7L V8 F/I	63-1529 ² 77-1529KP ²	8.6 @ 4688 6.8 @ 4743	1995 SATURN			
1500	5.7L V8 F/I	63-1561 ² 71-1561 ² 77-1561KP ²	15.7 @ 4688 7.2 @ 4643 10.3 @ 4382	SC2	1.9L L4 F/I	57-3012 ¹	
2500	6.7L L6 DSL	63-1562 ² 71-1562 ²	8.2 @ 2919 7.2 @ 3010	SL2	1.9L L4 F/I	57-3012 ¹	
3500	6.7L L6 DSL	63-1562 ² 71-1562 ²	8.2 @ 2919 7.2 @ 3010	SW2	1.9L L4 F/I	57-3012 ¹	
2011 RAM				1994 SATURN			
1500	3.7L V6 F/I	63-1537 ²	7.4 @ 5223	SC2	1.9L L4 F/I	57-3012 ¹	
1500	4.7L V8 F/I	57-1529 ¹ 63-1529 ² 77-1529KP ¹	8.6 @ 4688 10.8 @ 4695 6.8 @ 4743	SL2	1.9L L4 F/I	57-3012 ¹	
2011 RAM				1993 SATURN			
1500	3.7L V6 F/I	63-1537 ²	7.4 @ 5223	SC2	1.9L L4 F/I	57-3012 ¹	
1500	4.7L V8 F/I	57-1529 ¹ 63-1529 ² 77-1529KP ¹	8.6 @ 4688 10.8 @ 4695 6.8 @ 4743	SL2	1.9L L4 F/I	57-3012 ¹	
2011 RAM				1992 SATURN			
1500	3.7L V6 F/I	63-1537 ²	7.4 @ 5223	SC	1.9L L4 F/I	57-3012 ¹	
1500	4.7L V8 F/I	57-1529 ¹ 63-1529 ² 77-1529KP ¹	8.6 @ 4688 10.8 @ 4695 6.8 @ 4743	SL2	1.9L L4 F/I	57-3012 ¹	
2011 RAM				1991 SATURN			
1500	3.7L V6 F/I	63-1537 ²	7.4 @ 5223	SC	1.9L L4 F/I	57-3012 ¹	
1500	4.7L V8 F/I	57-1529 ¹ 63-1529 ² 77-1529KP ¹	8.6 @ 4688 10.8 @ 4695 6.8 @ 4743	SL2	1.9L L4 F/I	57-3012 ¹	

1) Street legal in all US states. 2) Not legal for sale or use on any pollution controlled motor vehicle in California or states adopting California emission procedures.

* Estimated horsepower gains are based on specific or similar vehicle dyno tests. Results will vary. See Page 478 for more information. Partial Listing - Complete List of Vehicles and Applications at knfilters.com. See page 5 for information on intake tube materials/colors.

AIR INTAKE SYSTEMS

SCION

Vehicle	Engine Type	Part Number	Estimated Horsepower*	Vehicle	Engine Type	Part Number	Estimated Horsepower*
2016 SCION				2005 SCION			
FR-S	2.0L H4 F/I	69-8619TS ²	6.7 @ 6670	xB	1.5L L4 F/I	69-8605TS ¹	8.0 @ 5450
tC	2.5L L4 F/I	69-8616TS ²	6.1 @ 5712	2004 SCION			
2015 SCION				xA	1.5L L4 F/I	69-8606TB ¹	4.4 @ 4925
FR-S	2.0L H4 F/I	69-8619TS ²	6.7 @ 6670			69-8606TP ¹	4.4 @ 4925
tC	2.5L L4 F/I	69-8616TS ²	6.1 @ 5712	xB	1.5L L4 F/I	69-8605TS ¹	8.0 @ 5450
xB	2.4L L4 F/I	69-8613TS ²	9.1 @ 5026	2003 SCION			
2014 SCION				xA	1.5L L4 F/I	69-8606TP ¹	4.4 @ 4925
FR-S	2.0L H4 F/I	69-8619TS ¹	6.7 @ 6670			69-8606TB ¹	4.4 @ 4925
tC	2.5L L4 F/I	69-8616TS ²	6.1 @ 5712	xB	1.5L L4 F/I	69-8605TS ¹	8.0 @ 5450
xB	2.4L L4 F/I	69-8613TS ²	9.1 @ 5026	2013 SRT			
2013 SCION				Viper	8.4L V10 F/I	69-2528TTK ²	13.9 @ 5273
FR-S	2.0L H4 F/I	69-8619TS ¹	6.7 @ 6670	2016 SUBARU			
tC	2.5L L4 F/I	69-8616TS ²	6.1 @ 5712	BRZ	2.0L H4 F/I	69-8619TS ²	6.7 @ 6670
xB	2.4L L4 F/I	69-8613TS ²	9.1 @ 5026	Impreza WRX STi	2.5L H4 F/I	69-8007TWR ²	34.3 @ 5400
2012 SCION				WRX STi	2.5L H4 F/I	69-8007TWR ²	34.3 @ 5400
tC	2.5L L4 F/I	69-8616TS ²	6.1 @ 5712	2015 SUBARU			
xB	2.4L L4 F/I	69-8613TS ²	9.1 @ 5026	BRZ	2.0L H4 F/I	69-8619TS ²	6.7 @ 6670
xD	1.8L L4 F/I	69-8615TS ²	5.5 @ 5300	Impreza WRX STi	2.5L H4 F/I	69-8007TWR ²	34.3 @ 5400
2011 SCION				WRX	2.0L H4 F/I	69-8006TTK ²	9.2 @ 4800
tC	2.5L L4 F/I	69-8616TS ²	6.1 @ 5712	WRX STi	2.5L H4 F/I	69-8007TWR ²	34.3 @ 5400
xB	2.4L L4 F/I	69-8613TS ²	9.1 @ 5026	2014 SUBARU			
xD	1.8L L4 F/I	69-8615TS ²	5.5 @ 5300	BRZ	2.0L H4 F/I	69-8619TS ¹	6.7 @ 6670
2010 SCION				Impreza WRX	2.5L H4 F/I	69-8004TTK ¹	14.3 @ 5228
tC	2.4L L4 F/I	69-8614TS ²	8.1 @ 5467	Impreza WRX STi	2.5L H4 F/I	69-8005TWR ²	17.5 @ 5260
xB	2.4L L4 F/I	69-8613TS ²	9.1 @ 5026	WRX STi	2.5L H4 F/I	69-8005TWR ²	17.5 @ 5260
xD	1.8L L4 F/I	69-8615TS ²	5.5 @ 5300	2013 SUBARU			
2009 SCION				BRZ	2.0L H4 F/I	69-8619TS ¹	6.7 @ 6670
tC	2.4L L4 F/I	69-8614TS ²	8.1 @ 5467	Impreza WRX	2.5L H4 F/I	69-8004TTK ¹	14.3 @ 5228
xB	2.4L L4 F/I	69-8613TS ²	9.1 @ 5026	Impreza WRX STi	2.5L H4 F/I	69-8005TWR ¹	17.5 @ 5260
xD	1.8L L4 F/I	69-8615TS ²	5.5 @ 5300	2012 SUBARU			
2008 SCION				Impreza WRX	2.5L H4 F/I	69-8004TTK ¹	14.3 @ 5228
tC	2.4L L4 F/I	69-8614TS ²	8.1 @ 5467	Impreza WRX STi	2.5L H4 F/I	69-8005TWR ¹	17.5 @ 5260
xB	2.4L L4 F/I	69-8613TS ²	9.1 @ 5026	2011 SUBARU			
xD	1.8L L4 F/I	69-8615TS ²	5.5 @ 5300	Impreza WRX	2.5L H4 F/I	69-8004TTK ¹	14.3 @ 5228
2007 SCION				Impreza WRX STi	2.5L H4 F/I	69-8005TWR ¹	17.5 @ 5260
tC	2.4L L4 F/I	69-8614TS ²	8.1 @ 5467	2010 SUBARU			
xA	1.5L L4 F/I	69-8606TP ²	4.4 @ 4925	Impreza WRX	2.5L H4 F/I	69-8004TTK ¹	14.3 @ 5228
		69-8606TB ²	4.4 @ 4925	Impreza WRX STi	2.5L H4 F/I	69-8005TWR ¹	17.5 @ 5260
xB	1.5L L4 F/I	69-8605TS ²	8.0 @ 5450	2009 SUBARU			
2006 SCION				Impreza WRX	2.5L H4 F/I	69-8004TTK ¹	14.3 @ 5228
tC	2.4L L4 F/I	69-8608TFK ¹	7.6 @ 5000	Impreza WRX STi	2.5L H4 F/I	69-8005TWR ¹	17.5 @ 5260
		69-8607TS ²	6.0 @ 5412	Legacy GT	2.5L H4 F/I	69-8003TFK ¹	14.9 @ 4700
		69-8607TB ²	6.0 @ 5412	2008 SUBARU			
xA	1.5L L4 F/I	69-8606TP ²	4.4 @ 4925	Impreza WRX	2.5L H4 F/I - US	69-8004TTK ¹	14.3 @ 5228
		69-8606TB ²	4.4 @ 4925	Impreza WRX STi	2.5L H4 F/I	69-8005TWR ¹	17.5 @ 5260
xB	1.5L L4 F/I	69-8605TS ²	8.0 @ 5450	Legacy GT	2.5L H4 F/I	69-8003TFK ¹	14.9 @ 4700
2005 SCION				2007 SUBARU			
tC	2.4L L4 F/I	69-8607TB ²	6.0 @ 5412	Impreza WRX	2.0L H4 F/I	69-8001TS ²	15.9 @ 5050
		69-8608TFK ¹	7.6 @ 5000			69-8001TWR ²	15.9 @ 5050
		69-8607TS ²	6.0 @ 5412	Impreza WRX	2.5L H4 F/I	69-8001TWR ¹	15.9 @ 5050
xA	1.5L L4 F/I	69-8606TB ¹	4.4 @ 4925			69-8001TS ¹	15.9 @ 5050
		69-8606TP ¹	4.4 @ 4925				

1) Street legal in all US states. 2) Not legal for sale or use on any pollution controlled motor vehicle in California or states adopting California emission procedures.

* Estimated horsepower gains are based on specific or similar vehicle dyno tests. Results will vary. See Page 478 for more information. Partial Listing - Complete List of Vehicles and Applications at knfilters.com. See page 5 for information on intake tube materials/colors.

SUBARU

AIR INTAKE SYSTEMS

Vehicle	Engine Type	Part Number	Estimated Horsepower*	Vehicle	Engine Type	Part Number	Estimated Horsepower*
2007 SUBARU				2006 SUZUKI			
Impreza WRX STi	2.0L H4 F/I	69-8001TS ²	15.9 @ 5050	LTR450 QuadRacer	450	63-1128 ²	2.7 @ 6600
		69-8001TWR ²	15.9 @ 5050	2003 SUZUKI			
Impreza WRX STi	2.5L H4 F/I	69-8001TWR ¹	15.9 @ 5050	Aerio	2.0L L4 F/I	69-8400TS ¹	7.3 @ 5900
		69-8001TS ¹	15.9 @ 5050			69-8400TR ¹	7.3 @ 5900
Legacy GT	2.5L H4 F/I	69-8003TFK ¹	14.9 @ 4700	2002 SUZUKI			
2006 SUBARU				Aerio	2.0L L4 F/I	69-8400TS ¹	7.3 @ 5900
Forester Turbo	2.5L H4 F/I	69-8002TS ¹	17.7 @ 5484			69-8400TR ¹	7.3 @ 5900
Impreza WRX	2.0L H4 F/I	69-8001TWR ²	15.9 @ 5050	2016 TOYOTA			
		69-8001TS ²	15.9 @ 5050	4 Runner	4.0L V6 F/I	63-9034 ²	12.2 @ 4600
Impreza WRX	2.5L H4 F/I	69-8001TS ¹	15.9 @ 5050	Camry	2.5L L4 F/I	69-8620TTK ²	5.8 @ 5605
		69-8001TWR ¹	15.9 @ 5050	Camry	3.5L V6 F/I	69-8618TS ²	7.1 @ 5914
Impreza WRX STi	2.0L H4 F/I	69-8001TWR ²	15.9 @ 5050	Corolla	1.8L L4 F/I - Exc. Eco	69-8757TTK ²	6.4 @ 5323
		69-8001TS ²	15.9 @ 5050	Tacoma	2.7L L4 F/I	63-9026 ²	7.4 @ 4600
Impreza WRX STi	2.5L H4 F/I	69-8001TS ¹	15.9 @ 5050			77-9026KP ²	5.7 @ 4600
		69-8001TWR ¹	15.9 @ 5050	Tundra	5.7L V8 F/I	63-9036 ²	9.3 @ 5497
Legacy GT	2.5L H4 F/I	69-8003TFK ¹	14.9 @ 4700			77-9036KP ²	7.2 @ 5490
2005 SUBARU				2015 TOYOTA			
Forester Turbo	2.5L H4 F/I - Turbo	69-8002TS ¹	17.7 @ 5484	4 Runner	4.0L V6 F/I	63-9034 ²	12.2 @ 4600
Impreza WRX	2.0L H4 F/I	69-8001TS ¹	15.9 @ 5050			77-9034KP ²	11.1 @ 4862
		69-8001TWR ¹	15.9 @ 5050	Camry	2.5L L4 F/I	69-8620TTK ²	5.8 @ 5605
Impreza WRX STi	2.0L H4 F/I	69-8001TWR ²	15.9 @ 5050	Camry	3.5L V6 F/I	69-8618TS ²	7.1 @ 5914
		69-8001TS ²	15.9 @ 5050	Corolla	1.8L L4 F/I - Exc. Eco	69-8757TTK ²	6.4 @ 5323
Impreza WRX STi	2.5L H4 F/I	69-8001TS ¹	15.9 @ 5050	Tacoma	2.7L L4 F/I	63-9026 ²	7.4 @ 4600
		69-8001TWR ¹	15.9 @ 5050			77-9026KP ²	5.7 @ 4600
Legacy GT	2.5L H4 F/I	69-8003TFK ¹	14.9 @ 4700	Tacoma	4.0L V6 F/I	63-9037 ²	8.7 @ 5100
2004 SUBARU						77-9037KP ²	7.6 @ 4976
Forester	2.5L H4 F/I - Turbo	69-8002TS ¹	17.7 @ 5484	Tundra	4.6L V8 F/I	57-9036 ¹	5.8 @ 5508
Impreza WRX	2.0L H4 F/I	69-8001TS ¹	15.9 @ 5050			63-9035 ²	13.8 @ 5517
		69-8001TWR ¹	15.9 @ 5050	Tundra	5.7L V8 F/I	77-9035KP ²	10.2 @ 5280
Impreza WRX STi	2.0L H4 F/I	69-8001TWR ²	15.9 @ 5050			57-9036 ¹	5.8 @ 5508
		69-8001TS ²	15.9 @ 5050	Venza	2.7L L4 F/I	69-8617TTK ²	4.8 @ 5654
Impreza WRX STi	2.5L H4 F/I	69-8001TS ¹	15.9 @ 5050	Venza	3.5L V6 F/I	69-8611TS ²	11.7 @ 4800
		69-8001TWR ¹	15.9 @ 5050	Yaris	1.5L L4 F/I	69-8612TFK ²	4.6 @ 5089
2003 SUBARU				2014 TOYOTA			
Impreza WRX	2.0L H4 F/I	69-8001TWR ¹	15.9 @ 5050	4 Runner	4.0L V6 F/I	63-9034 ²	12.2 @ 4600
		69-8001TS ¹	15.9 @ 5050			77-9034KP ²	11.1 @ 4862
Impreza WRX STi	2.0L H4 F/I	69-8001TS ²	15.9 @ 5050	Camry	2.5L L4 F/I	69-8620TTK ²	5.8 @ 5605
		69-8001TWR ²	15.9 @ 5050	Camry	3.5L V6 F/I	69-8618TS ²	7.1 @ 5914
2002 SUBARU				Corolla	1.8L L4 F/I - Exc. Eco	69-8757TTK ²	6.4 @ 5323
Impreza WRX	2.0L H4 F/I	69-8001TWR ¹	15.9 @ 5050	FJ Cruiser	4.0L V6 F/I	63-9034 ²	12.2 @ 4600
		69-8001TS ¹	15.9 @ 5050			77-9034KP ²	11.1 @ 4862
Impreza WRX STi	2.0L H4 F/I	69-8001TWR ²	15.9 @ 5050	Tacoma	2.7L L4 F/I	63-9026 ²	7.4 @ 4600
		69-8001TS ²	15.9 @ 5050			77-9026KP ²	5.7 @ 4600
2001 SUBARU				Tacoma	4.0L V6 F/I	57-9025 ¹	8.9 @ 4857
Impreza WRX	2.0L H4 F/I	69-8001TWR ²	15.9 @ 5050			63-9037 ²	8.7 @ 5100
		69-8001TS ²	15.9 @ 5050	Tundra	4.6L V8 F/I	77-9037KP ²	7.6 @ 4976
2000 SUBARU						57-9036 ¹	5.8 @ 5508
Impreza WRX	2.0L H4 F/I	69-8001TS ²	15.9 @ 5050			63-9035 ²	13.8 @ 5517
		69-8001TWR ²	15.9 @ 5050	Tundra	5.7L V8 F/I	77-9035KP ²	10.2 @ 5280
2008 SUZUKI						57-9036 ¹	5.8 @ 5508
LTR450 QuadRacer	450	63-1128 ²	2.7 @ 6600			63-9036 ²	9.3 @ 5497
2007 SUZUKI						77-9036KP ²	7.2 @ 5490
LTR450 QuadRacer	450	63-1128 ²	2.7 @ 6600				

1) Street legal in all US states. 2) Not legal for sale or use on any pollution controlled motor vehicle in California or states adopting California emission procedures.

* Estimated horsepower gains are based on specific or similar vehicle dyno tests. Results will vary. See Page 478 for more information. Partial Listing - Complete List of Vehicles and Applications at knfilters.com. See page 5 for information on intake tube materials/colors.

AIR INTAKE SYSTEMS

TOYOTA

Vehicle	Engine Type	Part Number	Estimated Horsepower*	Vehicle	Engine Type	Part Number	Estimated Horsepower*
2014 TOYOTA				2011 TOYOTA			
Venza	2.7L L4 F/I	69-8617TTK ²	4.8 @ 5654	FJ Cruiser	4.0L V6 F/I	77-9034KP ²	11.1 @ 4862
Venza	3.5L V6 F/I	69-8611TS ²	11.7 @ 4800			77-9034KP ²	12.2 @ 4596
Yaris	1.5L L4 F/I	69-8612TFK ²	4.6 @ 5089	Matrix	2.4L L4 F/I	69-8613TS ²	9.1 @ 5026
2013 TOYOTA				Sequoia	4.6L V8 F/I	77-9035KP ²	10.2 @ 5280
4 Runner	4.0L V6 F/I	63-9034 ²	12.2 @ 4600	Sequoia	5.7L V8 F/I	57-9031 ¹	5.9 @ 5080
		77-9034KP ²	11.1 @ 4862			63-9031-1 ²	13.1 @ 5282
Camry	2.5L L4 F/I	69-8620TTK ²	5.8 @ 5605			77-9031-1KP ²	13.4 @ 5142
Camry	3.5L V6 F/I	69-8618TS ²	7.1 @ 5914	Tacoma	2.7L L4 F/I	63-9026 ²	7.4 @ 4600
Corolla	1.8L L4 F/I	69-8757TTK ²	6.4 @ 5323			77-9026KP ²	5.7 @ 4600
FJ Cruiser	4.0L V6 F/I	63-9034 ²	14.6 @ 4862	Tacoma	4.0L V6 F/I	57-9025 ¹	8.9 @ 4857
		77-9034KP ²	11.1 @ 4862			63-9025 ²	10.3 @ 4979
Matrix	2.4L L4 F/I	69-8613TS ²	9.1 @ 5026	Tundra	4.6L V8 F/I	77-9025KP ²	10.2 @ 5174
Sequoia	5.7L V8 F/I	57-9031 ¹	5.9 @ 5080			63-9035 ²	13.8 @ 5517
Tacoma	2.7L L4 F/I	63-9026 ²	7.4 @ 4600	Tundra	5.7L V8 F/I	77-9035KP ²	10.2 @ 5280
		77-9026KP ²	5.7 @ 4600			57-9031 ¹	5.9 @ 5080
Tacoma	4.0L V6 F/I	57-9025 ¹	8.9 @ 4857			63-9031-1 ²	13.1 @ 5282
		63-9037 ²	8.7 @ 5100	Venza	3.5L V6 F/I	77-9031-1KP ²	13.4 @ 5142
		77-9037KP ²	7.6 @ 4976	Yaris	1.5L L4 F/I	69-8611TS ²	11.7 @ 4800
Tundra	4.6L V8 F/I	63-9035 ²	13.8 @ 5517	Yaris	1.8L L4 F/I	69-8612TFK ²	4.6 @ 5089
		77-9035KP ²	10.2 @ 5280	Yaris		69-8615TS ²	5.5 @ 5300
Tundra	5.7L V8 F/I	57-9031 ¹	5.9 @ 5080	2010 TOYOTA			
		63-9036 ²	9.3 @ 5497	4 Runner	4.0L V6 F/I	63-9034 ²	12.2 @ 4600
		77-9036KP ²	7.2 @ 5490			77-9034KP ²	11.1 @ 4862
Venza	2.7L L4 F/I	69-8617TTK ²	4.8 @ 5654	Camry	2.5L L4 F/I	69-8617TTK ²	4.8 @ 5654
Venza	3.5L V6 F/I	69-8611TS ²	11.7 @ 4800	Camry	3.5L V6 F/I	69-8611TS ²	11.7 @ 4800
Yaris	1.5L L4 F/I	69-8612TFK ²	4.6 @ 5089	Corolla	1.8L L4 F/I	69-8757TTK ²	6.4 @ 5323
2012 TOYOTA				FJ Cruiser	4.0L V6 F/I	63-9034 ²	12.2 @ 4600
4 Runner	4.0L V6 F/I	63-9034 ²	12.2 @ 4600			77-9034KP ²	13.6 @ 5000
		77-9034KP ²	11.1 @ 4862	Matrix	2.4L L4 F/I	69-8613TS ²	9.1 @ 5026
Camry	2.5L L4 F/I	69-8620TTK ²	5.8 @ 5605	Sequoia	4.6L V8 F/I	77-9035KP ²	10.2 @ 5280
Camry	3.5L V6 F/I	69-8618TS ²	7.1 @ 5914	Sequoia	5.7L V8 F/I	57-9031 ¹	5.9 @ 5080
Corolla	1.8L L4 F/I	69-8757TTK ²	6.4 @ 5323			63-9031-1 ²	13.1 @ 5282
FJ Cruiser	4.0L V6 F/I	63-9034 ²	12.2 @ 4600			77-9031-1KP ²	13.4 @ 5142
		77-9034KP ²	11.1 @ 4862	Tacoma	2.7L L4 F/I	63-9026 ²	7.4 @ 4600
Matrix	2.4L L4 F/I	69-8613TS ²	9.1 @ 5026			77-9026KP ²	5.7 @ 4600
Sequoia	5.7L V8 F/I	57-9031 ¹	5.9 @ 5080	Tacoma	4.0L V6 F/I	77-9025KP ²	10.2 @ 5174
Tacoma	2.7L L4 F/I	63-9026 ²	7.4 @ 4600			57-9025 ¹	8.9 @ 4857
		77-9026KP ²	5.7 @ 4600			63-9025 ²	10.3 @ 4979
Tacoma	4.0L V6 F/I	57-9025 ¹	8.9 @ 4857	Tundra	4.0L V6 F/I	63-9033 ²	9.7 @ 4742
		63-9037 ²	8.7 @ 5100			77-9033KP ²	9.7 @ 4743
		77-9037KP ²	7.6 @ 4976	Tundra	4.6L V8 F/I	63-9035 ²	13.8 @ 5517
Tundra	4.6L V8 F/I	63-9035 ²	13.8 @ 5517			77-9035KP ²	10.2 @ 5280
		77-9035KP ²	10.2 @ 5280	Tundra	5.7L V8 F/I	57-9031 ¹	5.9 @ 5080
Tundra	5.7L V8 F/I	57-9031 ¹	5.9 @ 5080			63-9031-1 ²	13.1 @ 5282
		63-9036 ²	9.3 @ 5497			77-9031-1KP ²	13.4 @ 5142
		77-9036KP ²	7.2 @ 5490	Venza	3.5L V6 F/I	69-8611TS ²	11.7 @ 4800
Venza	3.5L V6 F/I	69-8611TS ²	11.7 @ 4800	Yaris	1.5L L4 F/I	69-8612TFK ²	4.6 @ 5089
Yaris	1.5L L4 F/I	69-8612TFK ²	4.6 @ 5089	Yaris	1.8L L4 F/I	69-8615TS ²	5.5 @ 5300
2011 TOYOTA				2009 TOYOTA			
4 Runner	4.0L V6 F/I	63-9034 ²	12.2 @ 4600	Camry	2.4L L4 F/I	69-8610TTK ²	14.3 @ 5639
		77-9034KP ²	11.1 @ 4862	Camry	3.5L V6 F/I	69-8611TS ²	11.7 @ 4800
Camry	2.5L L4 F/I	69-8617TTK ²	4.8 @ 5654	Corolla	1.8L L4 F/I	69-8757TTK ²	6.4 @ 5323
Camry	3.5L V6 F/I	69-8611TS ²	11.7 @ 4800	FJ Cruiser	4.0L V6 F/I	77-9030KP ²	8.2 @ 4785
Corolla	1.8L L4 F/I	69-8757TTK ²	6.4 @ 5323			63-9030 ²	11.9 @ 4785
FJ Cruiser	4.0L V6 F/I	63-9034 ²	12.3 @ 4862	Matrix	2.4L L4 F/I	69-8613TS ²	9.1 @ 5026
				Sequoia	4.7L V8 F/I	77-9032-1KP ²	9.0 @ 4717

1) Street legal in all US states. 2) Not legal for sale or use on any pollution controlled motor vehicle in California or states adopting California emission procedures.

* Estimated horsepower gains are based on specific or similar vehicle dyno tests. Results will vary. See Page 478 for more information. Partial Listing - Complete List of Vehicles and Applications at knfilters.com. See page 5 for information on intake tube materials/colors.

TOYOTA

AIR INTAKE SYSTEMS

Vehicle	Engine Type	Part Number	Estimated Horsepower*	Vehicle	Engine Type	Part Number	Estimated Horsepower*
2009 TOYOTA				2007 TOYOTA			
Sequoia	4.7L V8 F/I	63-9032-1 ²	8.1 @ 4717	4 Runner	4.7L V8 F/I	77-9029KP ²	7.4 @ 5270
Sequoia	5.7L V8 F/I	77-9031-1KP ²	13.4 @ 5142			63-9029 ²	12.3 @ 5270
		63-9031-1 ²	13.1 @ 5282	Avensis	1.6L L4 F/I	69-8754TR ²	
		57-9031 ¹	5.9 @ 5080			69-8754TP ²	
Tacoma	2.7L L4 F/I	77-9026KP ²	5.7 @ 4600	Avensis	1.8L L4 F/I	69-8754TR ²	
		63-9026 ²	7.4 @ 4600			69-8754TP ²	
Tacoma	4.0L V6 F/I	77-9025KP ²	10.2 @ 5174	Avensis	2.0L L4 F/I	69-8754TR ²	
		63-9025 ²	10.3 @ 4979			69-8754TP ²	
		57-9025 ¹	8.9 @ 4857	Camry	2.4L L4 F/I	69-8610TTK ²	14.3 @ 5639
Tundra	4.0L V6 F/I	77-9033KP ²	9.7 @ 4743	Camry	3.5L V6 F/I	69-8611TS ²	11.7 @ 4800
		63-9033 ²	9.7 @ 4742	Corolla	1.4L L4 F/I	69-8754TR ²	
Tundra	4.7L V8 F/I	77-9032-1KP ²	9.0 @ 4717			69-8754TP ²	
		63-9032-1 ²	8.1 @ 4717	Corolla	1.6L L4 F/I	69-8754TR ²	
Tundra	5.7L V8 F/I	77-9031-1KP ²	13.4 @ 5142			69-8754TP ²	
		63-9031-1 ²	13.1 @ 5282	Corolla	1.8L L4 F/I - Non-US	69-8751TR ²	
		57-9031 ¹	5.9 @ 5080			69-8751TP ²	
Venza	3.5L V6 F/I	69-8611TS ²	11.7 @ 4800	FJ Cruiser	4.0L V6 F/I	77-9030KP ²	8.2 @ 4785
Yaris	1.5L L4 F/I	69-8612TFK ²	4.6 @ 5089			63-9030 ²	11.9 @ 4785
Yaris	1.8L L4 F/I	69-8615TS ²	5.5 @ 5300	Sequoia	4.7L V8 F/I	77-9027KP ²	8.7 @ 5465
2008 TOYOTA						63-9027 ²	9.5 @ 5472
4 Runner	4.0L V6 F/I	77-9023KP ²	7.9 @ 5189	Tacoma	2.7L L4 F/I	77-9026KP ²	5.7 @ 4600
		63-9023 ²	9.2 @ 5388			63-9026 ²	7.4 @ 4600
4 Runner	4.7L V8 F/I	77-9029KP ²	7.4 @ 5270	Tacoma	4.0L V6 F/I	77-9025KP ²	10.2 @ 5174
		63-9029 ²	12.3 @ 5270			63-9025 ²	10.3 @ 4979
Avensis	1.6L L4 F/I	69-8754TR ²				57-9025 ¹	8.9 @ 4857
		69-8754TP ²		Tundra	4.0L V6 F/I	77-9033KP ²	9.7 @ 4743
Avensis	1.8L L4 F/I	69-8754TR ²				63-9033 ²	9.7 @ 4742
		69-8754TP ²		Tundra	4.7L V8 F/I	77-9032-1KP ²	9.0 @ 4717
Avensis	2.0L L4 F/I	69-8754TR ²				63-9032-1 ²	8.1 @ 4717
		69-8754TP ²		Tundra	5.7L V8 F/I	77-9031-1KP ²	13.4 @ 5142
Camry	2.4L L4 F/I	69-8610TTK ²	14.3 @ 5639			63-9031-1 ²	13.1 @ 5282
Camry	3.5L V6 F/I	69-8611TS ²	11.7 @ 4800			57-9031 ¹	5.9 @ 5080
FJ Cruiser	4.0L V6 F/I	77-9030KP ²	8.2 @ 4785	Yaris	1.5L L4 F/I	69-8612TFK ²	4.6 @ 5089
		63-9030 ²	11.9 @ 4785	Yaris	1.8L L4 F/I	69-8615TS ²	5.5 @ 5300
Sequoia	4.7L V8 F/I	77-9032-1KP ²	9.0 @ 4717	2006 TOYOTA			
		63-9032-1 ²	8.1 @ 4717	4 Runner	4.0L V6 F/I	77-9023KP ²	7.9 @ 5189
Sequoia	5.7L V8 F/I	77-9031-1KP ²	13.4 @ 5142			63-9023 ²	9.2 @ 5388
		63-9031-1 ²	13.1 @ 5282	4 Runner	4.7L V8 F/I	77-9029KP ²	7.4 @ 5270
		57-9031 ¹	5.9 @ 5080			63-9029 ²	12.3 @ 5270
Tacoma	2.7L L4 F/I	77-9026KP ²	5.7 @ 4600	Avensis	1.6L L4 F/I	69-8754TR ²	
		63-9026 ²	7.4 @ 4600			69-8754TP ²	
Tacoma	4.0L V6 F/I	77-9025KP ²	10.2 @ 5174	Avensis	1.8L L4 F/I	69-8754TR ²	
		63-9025 ²	10.3 @ 4979			69-8754TP ²	
		57-9025 ¹	8.9 @ 4857	Avensis	2.0L L4 F/I	69-8754TR ²	
Tundra	4.0L V6 F/I	77-9033KP ²	9.7 @ 4743			69-8754TP ²	
		63-9033 ²	9.7 @ 4742	Camry	2.4L L4 F/I	69-8609TTK ²	6.4 @ 5600
Tundra	4.7L V8 F/I	77-9032-1KP ²	9.0 @ 4717	Celica	1.8L L4 F/I - 143BHP	69-8750TS ²	
		63-9032-1 ²	8.1 @ 4717			69-8750TR ²	
Tundra	5.7L V8 F/I	57-9031 ¹	5.9 @ 5080	Celica	1.8L L4 F/I - 192BHP	69-8752TS ²	
		77-9031-1KP ²	13.4 @ 5142			69-8752TR ²	
		63-9031-1 ²	13.1 @ 5282	Corolla	1.4L L4 F/I	69-8754TR ²	
Yaris	1.5L L4 F/I	69-8612TFK ²	4.6 @ 5089			69-8754TP ²	
Yaris	1.8L L4 F/I	69-8615TS ²	5.5 @ 5300	Corolla	1.6L L4 F/I	69-8754TR ²	
						69-8754TP ²	
2007 TOYOTA				Corolla	1.8L L4 F/I - Non-US	69-8751TR ²	
4 Runner	4.0L V6 F/I	77-9023KP ²	7.9 @ 5189			69-8751TP ²	
		63-9023 ²	9.2 @ 5388				

1) Street legal in all US states. 2) Not legal for sale or use on any pollution controlled motor vehicle in California or states adopting California emission procedures.

* Estimated horsepower gains are based on specific or similar vehicle dyno tests. Results will vary. See Page 478 for more information. Partial Listing - Complete List of Vehicles and Applications at knfilters.com. See page 5 for information on intake tube materials/colors.

AIR INTAKE SYSTEMS

TOYOTA

Vehicle	Engine Type	Part Number	Estimated Horsepower*	Vehicle	Engine Type	Part Number	Estimated Horsepower*
2006 TOYOTA				2005 TOYOTA			
Matrix XRS	1.8L L4 F/I	69-8601TR ²	11.9 @ 7700	Yaris	1.5L L4 F/I - 105BHP	69-8756TP ²	
		69-8601TP ²	11.9 @ 7700			69-8756TB ²	
Sequoia	4.7L V8 F/I	77-9027KP ²	8.7 @ 5465	2004 TOYOTA			
		63-9027 ²	9.5 @ 5472	4 Runner	4.0L V6 F/I	77-9023KP ²	7.9 @ 5189
		57-9027 ¹	9.6 @ 4306			63-9023 ²	9.2 @ 5388
Solara	2.4L L4 F/I	69-8609TTK ²	6.4 @ 5600	4 Runner	4.7L V8 F/I	77-9022KP ²	12.8 @ 5007
Tacoma	2.7L L4 F/I	77-9026KP ²	5.7 @ 4600			63-9022 ²	13.5 @ 5011
		63-9026 ²	7.4 @ 4600	Avensis	1.6L L4 F/I	69-8754TR ²	
Tacoma	4.0L V6 F/I	77-9025KP ²	10.2 @ 5174			69-8754TP ²	
		63-9025 ²	10.3 @ 4979	Avensis	1.8L L4 F/I	69-8754TR ²	
		57-9025 ¹	8.9 @ 4857			69-8754TP ²	
Tundra	4.0L V6 F/I	77-9028KP ²	8.3 @ 5159	Avensis	2.0L L4 F/I	69-8754TR ²	
		63-9028 ²	11.4 @ 5159			69-8754TP ²	
Tundra	4.7L V8 F/I	77-9027KP ²	8.7 @ 5465	Camry	2.4L L4 F/I	69-8609TTK ²	6.4 @ 5600
		63-9027 ²	9.5 @ 5472	Celica	1.8L L4 F/I - 143BHP	69-8750TS ²	
		57-9027 ¹	9.6 @ 4306			69-8750TR ²	
Yaris	1.5L L4 F/I	69-8612TFK ²	4.6 @ 5089	Celica	1.8L L4 F/I - 192BHP	69-8752TS ²	
2005 TOYOTA						69-8752TR ²	
4 Runner	4.0L V6 F/I	77-9023KP ²	7.9 @ 5189	Celica GT	1.8L L4 F/I	69-8520TS ¹	5.9 @ 6400
		63-9023 ²	9.2 @ 5388			69-8520TR ¹	5.9 @ 6400
4 Runner	4.7L V8 F/I	77-9029KP ²	7.4 @ 5270	Celica GTS	1.8L L4 F/I	69-8522TS ¹	7.5 @ 6362
		63-9029 ²	12.3 @ 5270	Corolla	1.4L L4 F/I	69-8754TR ²	
Avensis	1.6L L4 F/I	69-8754TR ²				69-8754TP ²	
		69-8754TP ²		Corolla	1.6L L4 F/I	69-8754TR ²	
Avensis	1.8L L4 F/I	69-8754TR ²				69-8754TP ²	
		69-8754TP ²		Corolla	1.8L L4 F/I - Non-US	69-8751TR ²	
Avensis	2.0L L4 F/I	69-8754TR ²				69-8751TP ²	
		69-8754TP ²		Corolla	1.8L L4 F/I - US	69-8600TR ¹	8.7 @ 6250
Camry	2.4L L4 F/I	69-8609TTK ²	6.4 @ 5600			69-8600TP ¹	8.7 @ 6250
Celica	1.8L L4 F/I - 143BHP	69-8750TS ²		Land Cruiser	4.7L V8 F/I	57-9021 ¹	8.5 @ 4138
		69-8750TR ²		Matrix XR	1.8L L4 F/I	69-8600TR ¹	8.7 @ 6250
Celica	1.8L L4 F/I - 192BHP	69-8752TS ²				69-8600TP ¹	8.7 @ 6250
		69-8752TR ²		Matrix XRS	1.8L L4 F/I	69-8601TR ¹	11.9 @ 7700
Corolla	1.4L L4 F/I	69-8754TR ²				69-8601TP ¹	11.9 @ 7700
		69-8754TP ²		Sequoia	4.7L V8 F/I	77-9020KP ¹	10.1 @ 5022
Corolla	1.6L L4 F/I	69-8754TR ²				57-9020 ¹	13.7 @ 4842
		69-8754TP ²		Solara	2.4L L4 F/I	69-8609TTK ²	6.4 @ 5600
Corolla	1.8L L4 F/I - Non-US	69-8751TR ²		Tacoma	2.4L L4 F/I	77-9016KP ¹	5.4 @ 4365
		69-8751TP ²				57-9016-1 ¹	6.2 @ 4200
Land Cruiser	4.7L V8 F/I	57-9021 ¹	8.5 @ 4138	Tacoma	2.7L L4 F/I	77-9016KP ¹	5.4 @ 4365
Matrix XRS	1.8L L4 F/I	69-8601TR ²	11.9 @ 7700			57-9016-1 ¹	6.2 @ 4200
		69-8601TP ²	11.9 @ 7700	Tacoma	3.4L V6 F/I	77-9015KP ¹	9.3 @ 4620
Sequoia	4.7L V8 F/I	77-9027KP ²	8.7 @ 5465			57-9015-1 ¹	9.4 @ 4842
		63-9027 ²	9.5 @ 5472	Tundra	3.4L V6 F/I	63-1043 ²	5.0 @ 4752
		57-9027 ¹	9.6 @ 4306	Tundra	4.7L V8 F/I	77-9020KP ²	10.1 @ 5022
Solara	2.4L L4 F/I	69-8609TTK ²	6.4 @ 5600			63-1058 ²	13.7 @ 4842
Tacoma	2.7L L4 F/I	77-9026KP ²	5.7 @ 4600	Yaris	1.5L L4 F/I - 105BHP	69-8756TP ²	
		63-9026 ²	7.4 @ 4600			69-8756TB ²	
Tacoma	4.0L V6 F/I	77-9025KP ²	10.2 @ 5174	2003 TOYOTA			
		63-9025 ²	10.3 @ 4979	4 Runner	4.0L V6 F/I	77-9023KP ²	7.9 @ 5189
		57-9025 ¹	8.9 @ 4857			63-9023 ²	9.2 @ 5388
Tundra	4.0L V6 F/I	77-9028KP ²	8.3 @ 5159	4 Runner	4.7L V8 F/I	77-9022KP ²	12.8 @ 5007
		63-9028 ²	11.4 @ 5159			63-9022 ²	13.5 @ 5011
Tundra	4.7L V8 F/I	77-9027KP ²	8.7 @ 5465	Avensis	1.6L L4 F/I	69-8754TR ²	
		63-9027 ²	9.5 @ 5472			69-8754TP ²	
		57-9027 ¹	9.6 @ 4306	Avensis	1.8L L4 F/I	69-8754TR ²	

1) Street legal in all US states. 2) Not legal for sale or use on any pollution controlled motor vehicle in California or states adopting California emission procedures.

* Estimated horsepower gains are based on specific or similar vehicle dyno tests. Results will vary. See Page 478 for more information. Partial Listing - Complete List of Vehicles and Applications at knfilters.com. See page 5 for information on intake tube materials/colors.

TOYOTA

AIR INTAKE SYSTEMS

Vehicle	Engine Type	Part Number	Estimated Horsepower*	Vehicle	Engine Type	Part Number	Estimated Horsepower*
2003 TOYOTA				2002 TOYOTA			
Avensis	1.8L L4 F/I	69-8754TP ²		Corolla	1.8L L4 F/I - Non-US	69-8751TP ²	
Avensis	2.0L L4 F/I	69-8754TR ²		Land Cruiser	4.7L V8 F/I	57-9021 ¹	8.5 @ 4138
		69-8754TP ²		Sequoia	4.7L V8 F/I	77-9020KP ¹	10.1 @ 5022
Camry	2.4L L4 F/I	69-8609TTK ¹	6.4 @ 5600			57-9020 ¹	13.7 @ 4842
Celica	1.8L L4 F/I - 143BHP	69-8750TS ²		Solara	2.4L L4 F/I	69-8609TTK ¹	6.4 @ 5600
		69-8750TR ²		Tacoma	2.4L L4 F/I	77-9016KP ¹	5.4 @ 4365
Celica	1.8L L4 F/I - 192BHP	69-8752TS ²				57-9016-1 ¹	6.2 @ 4200
		69-8752TR ²		Tacoma	2.7L L4 F/I	77-9016KP ¹	5.4 @ 4365
Celica GT	1.8L L4 F/I	69-8520TS ¹	5.9 @ 6400			57-9016-1 ¹	6.2 @ 4200
		69-8520TR ¹	5.9 @ 6400	Tacoma	3.4L V6 F/I	77-9015KP ¹	9.3 @ 4620
Celica GTS	1.8L L4 F/I	69-8522TS ¹	7.5 @ 6362			57-9015-1 ¹	9.4 @ 4842
Corolla	1.4L L4 F/I	69-8754TR ²		Tundra	3.4L V6 F/I	57-9019 ¹	5.0 @ 4752
		69-8754TP ²		Tundra	4.7L V8 F/I	77-9020KP ¹	10.1 @ 5022
Corolla	1.6L L4 F/I	69-8754TR ²				57-9020 ¹	13.7 @ 4842
		69-8754TP ²		Yaris	1.5L L4 F/I - 105BHP	69-8756TP ²	
Corolla	1.8L L4 F/I - Non-US	69-8751TR ²				69-8756TB ²	
		69-8751TP ²		2001 TOYOTA			
Corolla	1.8L L4 F/I - US	69-8600TR ¹	8.7 @ 6250	4 Runner	3.4L V6 F/I	77-9015KP ¹	9.3 @ 4620
		69-8600TP ¹	8.7 @ 6250			57-9015-1 ¹	9.4 @ 4842
Land Cruiser	4.7L V8 F/I	57-9021 ¹	8.5 @ 4138	Celica	1.8L L4 F/I - 143BHP	69-8750TS ²	
Matrix XR	1.8L L4 F/I	69-8600TR ¹	8.7 @ 6250			69-8750TR ²	
		69-8600TP ¹	8.7 @ 6250	Celica	1.8L L4 F/I - 192BHP	69-8752TS ²	
Matrix XRS	1.8L L4 F/I	69-8601TR ¹	11.9 @ 7700			69-8752TR ²	
		69-8601TP ¹	11.9 @ 7700	Celica GT	1.8L L4 F/I	69-8520TS ¹	5.9 @ 6400
Sequoia	4.7L V8 F/I	77-9020KP ¹	10.1 @ 5022			69-8520TR ¹	5.9 @ 6400
		57-9020 ¹	13.7 @ 4842	Celica GTS	1.8L L4 F/I	69-8522TS ¹	7.5 @ 6362
Solara	2.4L L4 F/I	69-8609TTK ¹	6.4 @ 5600	Corolla	1.8L L4 F/I - Non-US	69-8751TR ²	
Tacoma	2.4L L4 F/I	77-9016KP ¹	5.4 @ 4365			69-8751TP ²	
		57-9016-1 ¹	6.2 @ 4200	Land Cruiser	4.7L V8 F/I	57-9021 ¹	8.5 @ 4138
Tacoma	2.7L L4 F/I	77-9016KP ¹	5.4 @ 4365			77-9020KP ¹	10.1 @ 5022
		57-9016-1 ¹	6.2 @ 4200	Sequoia	4.7L V8 F/I	57-9017 ¹	11.7 @ 5108
Tacoma	3.4L V6 F/I	77-9015KP ¹	9.3 @ 4620			77-9016KP ¹	5.4 @ 4365
		57-9015-1 ¹	9.4 @ 4842	Tacoma	2.4L L4 F/I	57-9016-1 ¹	6.2 @ 4200
Tundra	3.4L V6 F/I	63-1043 ²	5.0 @ 4752			77-9016KP ¹	5.4 @ 4365
Tundra	4.7L V8 F/I	77-9020KP ²	10.1 @ 5022	Tacoma	2.7L L4 F/I	57-9016-1 ¹	6.2 @ 4200
		63-1058 ²	13.7 @ 4842			77-9015KP ¹	9.3 @ 4620
Yaris	1.5L L4 F/I - 105BHP	69-8756TP ²		Tacoma	3.4L V6 F/I	57-9015-1 ¹	9.4 @ 4842
		69-8756TB ²				57-9019 ¹	5.0 @ 4752
2002 TOYOTA				Tundra	3.4L V6 F/I	57-9019 ¹	5.0 @ 4752
4 Runner	3.4L V6 F/I	77-9015KP ¹	9.3 @ 4620	Tundra	4.7L V8 F/I	77-9020KP ¹	10.1 @ 5022
		57-9015-1 ¹	9.4 @ 4842			57-9014-1 ¹	14.2 @ 5027
Camry	2.4L L4 F/I	69-8609TTK ¹	6.4 @ 5600	Yaris	1.5L L4 F/I - 105BHP	69-8756TP ²	
Celica	1.8L L4 F/I - 143BHP	69-8750TS ²				69-8756TB ²	
		69-8750TR ²		2000 TOYOTA			
Celica	1.8L L4 F/I - 192BHP	69-8752TS ²		4 Runner	2.7L L4 F/I	77-9016KP ¹	5.4 @ 4365
		69-8752TR ²				57-9016-1 ¹	6.2 @ 4200
Celica GT	1.8L L4 F/I	69-8520TS ¹	5.9 @ 6400	4 Runner	3.4L V6 F/I	77-9015KP ¹	9.3 @ 4620
		69-8520TR ¹	5.9 @ 6400			57-9015-1 ¹	9.4 @ 4842
Celica GTS	1.8L L4 F/I	69-8522TS ¹	7.5 @ 6362	Celica	1.8L L4 F/I - 143BHP	69-8750TS ²	
Corolla	1.4L L4 F/I	69-8754TR ²				69-8750TR ²	
		69-8754TP ²		Celica	1.8L L4 F/I - 192BHP	69-8752TS ²	
Corolla	1.6L L4 F/I	69-8754TR ²				69-8752TR ²	
		69-8754TP ²		Celica GT	1.8L L4 F/I	69-8520TS ¹	5.9 @ 6400
Corolla	1.8L L4 F/I	69-8600TR ¹	8.7 @ 6250			69-8520TR ¹	5.9 @ 6400
		69-8600TP ¹	8.7 @ 6250	Celica GTS	1.8L L4 F/I	69-8522TS ¹	7.5 @ 6362
Corolla	1.8L L4 F/I - Non-US	69-8751TR ²		Land Cruiser	4.7L V8 F/I	57-9021 ¹	8.5 @ 4138
				Tacoma	2.4L L4 F/I	77-9016KP ¹	5.4 @ 4365

1) Street legal in all US states. 2) Not legal for sale or use on any pollution controlled motor vehicle in California or states adopting California emission procedures.

* Estimated horsepower gains are based on specific or similar vehicle dyno tests. Results will vary. See Page 478 for more information. Partial Listing - Complete List of Vehicles and Applications at knfilters.com. See page 5 for information on intake tube materials/colors.

AIR INTAKE SYSTEMS

TOYOTA

Vehicle	Engine Type	Part Number	Estimated Horsepower*	Vehicle	Engine Type	Part Number	Estimated Horsepower*
2000 TOYOTA				1995 TOYOTA			
Tacoma	2.4L L4 F/I	57-9016-1 ¹	6.2 @ 4200	Tacoma	3.4L V6 F/I	57-9013 ¹	6.2 @ 4848
Tacoma	2.7L L4 F/I	77-9016KP ¹	5.4 @ 4365	1994 TOYOTA			
		57-9016-1 ¹	6.2 @ 4200	4 Runner	2.4L L4 F/I	57-9008 ¹	5.1 @ 4700
Tacoma	3.4L V6 F/I	77-9015KP ¹	9.3 @ 4620	4 Runner	3.0L V6 F/I	57-9006 ¹	3.3 @ 4405
		57-9015-1 ¹	9.4 @ 4842	MR2	2.0L L4 F/I	57-9001 ¹	6.1 @ 5500
Tundra	3.4L V6 F/I	57-9019 ¹	5.0 @ 4752	Pickup	2.4L L4 F/I	57-9008 ¹	5.1 @ 4700
Tundra	4.7L V8 F/I	77-9020KP ¹	10.1 @ 5022	Pickup	3.0L V6 F/I	57-9006 ¹	3.3 @ 4405
		57-9014-1 ¹	14.2 @ 5027	Supra	3.0L L6 F/I - Turbo	57-9004 ¹	8.3 @ 5306
Yaris	1.3L L4 F/I	69-8606TP ¹	4.4 @ 4925	1993 TOYOTA			
		69-8606TB ¹	4.4 @ 4925	4 Runner	2.4L L4 F/I	57-9008 ¹	5.1 @ 4700
1999 TOYOTA				4 Runner	3.0L V6 F/I	57-9006 ¹	3.3 @ 4405
4 Runner	2.7L L4 F/I	57-9012 ¹	5.7 @ 4727	MR2	2.0L L4 F/I	57-9001 ¹	6.1 @ 5500
4 Runner	3.4L V6 F/I	77-9015KP ¹	9.3 @ 4620	Pickup	2.4L L4 F/I	57-9008 ¹	5.1 @ 4700
		57-9015-1 ¹	9.4 @ 4842	Pickup	3.0L V6 F/I	57-9006 ¹	3.3 @ 4405
Celica	1.8L L4 F/I - 143BHP	69-8750TS ²		Supra	3.0L L6 F/I - Exc. Turbo	57-9005 ¹	
		69-8750TR ²		Supra	3.0L L6 F/I - Turbo	57-9004 ¹	8.3 @ 5306
Land Cruiser	4.7L V8 F/I	57-9021 ¹	8.5 @ 4138	1992 TOYOTA			
Tacoma	2.4L L4 F/I	57-9012 ¹	5.7 @ 4727	4 Runner	2.4L L4 F/I	57-9008 ¹	5.1 @ 4700
Tacoma	2.7L L4 F/I	57-9012 ¹	5.7 @ 4727	4 Runner	3.0L V6 F/I	57-9006 ¹	3.3 @ 4405
Tacoma	3.4L V6 F/I	77-9015KP ¹	9.3 @ 4620	MR2	2.0L L4 F/I	57-9001 ¹	6.1 @ 5500
		57-9015-1 ¹	9.4 @ 4842	Pickup	2.4L L4 F/I	57-9008 ¹	5.1 @ 4700
Yaris	1.3L L4 F/I	69-8606TP ¹	4.4 @ 4925	Pickup	3.0L V6 F/I	57-9006 ¹	3.3 @ 4405
		69-8606TB ¹	4.4 @ 4925	Supra	3.0L L6 F/I - Exc. Turbo	57-9005 ¹	
1998 TOYOTA				Supra	3.0L L6 F/I - Turbo	57-9004 ¹	8.3 @ 5306
4 Runner	2.7L L4 F/I	57-9012 ¹	5.7 @ 4727	1991 TOYOTA			
4 Runner	3.4L V6 F/I	57-9013 ¹	6.2 @ 4848	4 Runner	2.4L L4 F/I	57-9008 ¹	5.1 @ 4700
T100	3.4L V6 F/I	57-9024 ¹	9.1 @ 4847	4 Runner	3.0L V6 F/I	57-9006 ¹	3.3 @ 4405
Tacoma	2.4L L4 F/I	57-9012 ¹	5.7 @ 4727	MR2	2.0L L4 F/I	57-9001 ¹	6.1 @ 5500
Tacoma	2.7L L4 F/I	57-9012 ¹	5.7 @ 4727	Pickup	2.4L L4 F/I	57-9008 ¹	5.1 @ 4700
Tacoma	3.4L V6 F/I	57-9013 ¹	6.2 @ 4848	Pickup	3.0L V6 F/I	57-9006 ¹	3.3 @ 4405
1997 TOYOTA				Supra	3.0L L6 F/I - Exc. Turbo	57-9005 ¹	
4 Runner	2.7L L4 F/I	57-9012 ¹	5.7 @ 4727	Supra	3.0L L6 F/I - Turbo	57-9004 ¹	8.3 @ 5306
4 Runner	3.4L V6 F/I	57-9013 ¹	6.2 @ 4848	1990 TOYOTA			
T100	3.4L V6 F/I	57-9024 ¹	9.1 @ 4847	4 Runner	2.4L L4 F/I	57-9008 ¹	5.1 @ 4700
Tacoma	2.4L L4 F/I	57-9012 ¹	5.7 @ 4727	4 Runner	3.0L V6 F/I	57-9006 ¹	3.3 @ 4405
Tacoma	2.7L L4 F/I	57-9012 ¹	5.7 @ 4727	MR2	2.0L L4 F/I - Turbo	57-9001 ¹	6.1 @ 5500
Tacoma	3.4L V6 F/I	57-9013 ¹	6.2 @ 4848	Pickup	2.4L L4 F/I	57-9008 ¹	5.1 @ 4700
1996 TOYOTA				Pickup	3.0L V6 F/I	57-9006 ¹	3.3 @ 4405
4 Runner	2.7L L4 F/I	57-9012 ¹	5.7 @ 4727	Supra	3.0L L6 F/I - Exc. Turbo	57-9005 ¹	
4 Runner	3.4L V6 F/I	57-9013 ¹	6.2 @ 4848	Supra	3.0L L6 F/I - Turbo	57-9004 ¹	8.3 @ 5306
T100	3.4L V6 F/I	57-9024 ¹	9.1 @ 4847	1989 TOYOTA			
Tacoma	2.4L L4 F/I	57-9012 ¹	5.7 @ 4727	4 Runner	2.4L L4 F/I	57-9008 ¹	5.1 @ 4700
Tacoma	2.7L L4 F/I	57-9012 ¹	5.7 @ 4727	4 Runner	3.0L V6 F/I	57-9006 ¹	3.3 @ 4405
Tacoma	3.4L V6 F/I	57-9013 ¹	6.2 @ 4848	Pickup	2.4L L4 F/I	57-9008 ¹	5.1 @ 4700
1995 TOYOTA				Pickup	3.0L V6 F/I	57-9006 ¹	3.3 @ 4405
4 Runner	2.4L L4 F/I	57-9008 ¹	5.1 @ 4700	Supra	3.0L L6 F/I - Exc. Turbo	57-9005 ¹	
4 Runner	3.0L V6 F/I	57-9006 ¹	3.3 @ 4405	Supra	3.0L L6 F/I - Turbo	57-9004 ¹	8.3 @ 5306
MR2	2.0L L4 F/I	57-9001 ¹	6.1 @ 5500	1988 TOYOTA			
Pickup	2.4L L4 F/I	57-9008 ¹	5.1 @ 4700	4 Runner	2.4L L4 F/I	57-9008 ¹	5.1 @ 4700
Pickup	3.0L V6 F/I	57-9006 ¹	3.3 @ 4405	4 Runner	3.0L V6 F/I	57-9006 ¹	3.3 @ 4405
Supra	3.0L L6 F/I - Turbo	57-9004 ¹	8.3 @ 5306	Pickup	2.4L L4 F/I	57-9008 ¹	5.1 @ 4700
T100	3.4L V6 F/I	57-9024 ¹	9.1 @ 4847	Pickup	3.0L V6 F/I	57-9006 ¹	3.3 @ 4405
Tacoma	2.4L L4 F/I	57-9012 ¹	5.7 @ 4727	Supra	3.0L L6 F/I - Exc. Turbo	57-9005 ¹	
Tacoma	2.7L L4 F/I	57-9012 ¹	5.7 @ 4727				
Tacoma	3.4L V6 F/I	57-9013 ¹	6.2 @ 4848				

1) Street legal in all US states. 2) Not legal for sale or use on any pollution controlled motor vehicle in California or states adopting California emission procedures.

* Estimated horsepower gains are based on specific or similar vehicle dyno tests. Results will vary. See Page 478 for more information. Partial Listing - Complete List of Vehicles and Applications at knfilters.com. See page 5 for information on intake tube materials/colors.

TOYOTA

AIR INTAKE SYSTEMS

Vehicle	Engine Type	Part Number	Estimated Horsepower*	Vehicle	Engine Type	Part Number	Estimated Horsepower*
1988 TOYOTA				2013 VOLKSWAGEN			
Supra	3.0L L6 F/I - Turbo	57-9004 ¹	8.3 @ 5306	Golf Plus	2.0L L4 DSL	69-9756TFK ²	3.3 @ 3400
1987 TOYOTA				Golf VI	1.6L L4 DSL	69-9756TFK ²	3.3 @ 3400
Corolla	1.6L L4 F/I	57-9000 ¹		Golf VI	1.8L L4 F/I	69-9756TFK ²	3.3 @ 3400
Corolla Sport GTS	1.6L L4 F/I	57-9000 ¹		Golf VI	2.0L L4 DSL	69-9756TFK ²	3.3 @ 3400
Supra	3.0L L6 F/I - Exc. Turbo	57-9005 ¹		Golf VI	2.0L L4 F/I - 211BHP	69-9756TFK ²	3.3 @ 3400
Supra	3.0L L6 F/I - Turbo	57-9004 ¹	8.3 @ 5306	GTI	2.0L L4 F/I - US, Exc. LEV2 SULEV Test Group DADXV02.03PA	69-9504TTK ¹	9.2 @ 4853
1986 TOYOTA				Jetta	2.0L L4 DSL	69-9509TTK ²	5.5 @ 3300
Corolla	1.6L L4 F/I	57-9000 ¹		Jetta GLi	2.0L L4 F/I - US, Exc. LEV2 SULEV Test Group DVWXV02.03PA	69-9504TTK ¹	9.2 @ 4853
Supra	3.0L L6 F/I	57-9005 ¹		Jetta V	1.6L L4 DSL	69-9756TFK ²	3.3 @ 3400
1985 TOYOTA				Jetta V	2.0L L4 DSL	69-9756TFK ²	3.3 @ 3400
Corolla	1.6L L4 F/I	57-9000 ¹		Jetta V	2.0L L4 F/I	69-9756TFK ²	3.3 @ 3400
2016 VOLKSWAGEN				Passat	1.6L L4 DSL	69-9756TFK ²	3.3 @ 3400
CC	2.0L L4 F/I - US	69-9504TTK ²	9.2 @ 4853	Passat	1.8L L4 F/I	69-9756TFK ²	3.3 @ 3400
Tiguan	2.0L L4 F/I - US	69-9504TTK ²	9.2 @ 4853	Passat	2.0L L4 DSL - Non-US	69-9756TFK ²	3.3 @ 3400
2015 VOLKSWAGEN				Passat	2.0L L4 F/I - Non-US	69-9756TFK ²	3.3 @ 3400
Golf	1.8L L4 F/I - US	69-9506TTK ²	12.9 @ 3933	Passat	2.0L L4 DSL	69-9756TFK ²	3.3 @ 3400
GTI	2.0L L4 F/I - US	69-9506TTK ²	12.9 @ 3933	Scirocco	2.0L L4 F/I - 211BHP	69-9756TFK ²	3.3 @ 3400
Jetta	1.8L L4 F/I	69-9507TTK ²	3.8 @ 3545	Scirocco	2.0L L4 DSL	69-9756TFK ²	3.3 @ 3400
Jetta GLi	2.0L L4 F/I	69-9507TTK ²	3.8 @ 3545	Sharan II	2.0L L4 F/I	69-9756TFK ²	3.3 @ 3400
Passat	1.8L L4 F/I	69-9507TTK ²	3.8 @ 3545	Sharan II	2.0L L4 DSL - Non-US	69-9756TFK ²	3.3 @ 3400
Tiguan	2.0L L4 F/I - US	69-9504TTK ²	9.2 @ 4853	Tiguan	2.0L L4 F/I - Non-US	69-9756TFK ²	3.3 @ 3400
2014 VOLKSWAGEN				Tiguan	2.0L L4 F/I - US	69-9504TTK ¹	9.2 @ 4853
Beetle	1.6L L4 DSL	69-9756TFK ²	3.3 @ 3400	Touran	1.6L L4 DSL	69-9756TFK ²	3.3 @ 3400
CC	1.8L L4 F/I	69-9756TFK ²	3.3 @ 3400	Touran	2.0L L4 DSL	69-9756TFK ²	3.3 @ 3400
CC	2.0L L4 F/I - US, Exc. LEV2 SULEV Test Group EVWXV02.03PA	69-9504TTK ¹	9.2 @ 4853	2012 VOLKSWAGEN			
Eos	2.0L L4 DSL	69-9756TFK ²	3.3 @ 3400	Caddy IV	1.6L L4 DSL	69-9756TFK ²	3.3 @ 3400
Eos	2.0L L4 F/I - Non-US	69-9756TFK ²	3.3 @ 3400	Caddy IV	2.0L L4 DSL	69-9756TFK ²	3.3 @ 3400
Eos	2.0L L4 F/I - US	69-9504TTK ¹	9.2 @ 4853	CC	1.8L L4 F/I	69-9756TFK ²	3.3 @ 3400
Golf Plus	1.6L L4 DSL	69-9756TFK ²	3.3 @ 3400	CC	2.0L L4 DSL	69-9756TFK ²	3.3 @ 3400
Golf Plus	2.0L L4 DSL	69-9756TFK ²	3.3 @ 3400	CC	2.0L L4 F/I - Non-US	69-9756TFK ²	3.3 @ 3400
Jetta	1.8L L4 F/I	69-9507TTK ²	3.8 @ 3545	CC	2.0L L4 F/I - US, Exc. LEV2 SULEV Test Group CVWXV02.03PA	69-9504TTK ¹	9.2 @ 4853
Jetta	2.0L L4 DSL	69-9509TTK ²	5.5 @ 3300	Eos	2.0L L4 F/I - Non-US	69-9756TFK ²	3.3 @ 3400
Jetta GLi	2.0L L4 F/I	69-9507TTK ²	3.8 @ 3545	Eos	2.0L L4 F/I - US	69-9504TTK ¹	9.2 @ 4853
Jetta V	1.6L L4 DSL	69-9756TFK ²	3.3 @ 3400	Golf Plus	1.6L L4 DSL	69-9756TFK ²	3.3 @ 3400
Jetta V	2.0L L4 DSL	69-9756TFK ²	3.3 @ 3400	Golf Plus	2.0L L4 DSL	69-9756TFK ²	3.3 @ 3400
Passat	1.6L L4 DSL	69-9756TFK ²	3.3 @ 3400	Golf VI	1.6L L4 DSL	69-9756TFK ²	3.3 @ 3400
Passat	1.8L L4 F/I - Non-US	69-9756TFK ²	3.3 @ 3400	Golf VI	1.8L L4 F/I	69-9756TFK ²	3.3 @ 3400
Passat	2.0L L4 DSL - Non-US	69-9756TFK ²	3.3 @ 3400	Golf VI	2.0L L4 DSL	69-9756TFK ²	3.3 @ 3400
Passat	2.0L L4 F/I - Non-US	69-9756TFK ²	3.3 @ 3400	Golf VI	2.0L L4 F/I - 211BHP	69-9756TFK ²	3.3 @ 3400
Tiguan	2.0L L4 F/I - US	69-9504TTK ¹	9.2 @ 4853	Golf VI	2.0L L4 F/I - US, Exc. LEV2 SULEV Test Group CADXV02.03PA	69-9504TTK ¹	9.2 @ 4853
2013 VOLKSWAGEN				Jetta GLi	2.0L L4 F/I - US, Exc. LEV2 SULEV Test Group CVWXV02.03PA	69-9504TTK ¹	9.2 @ 4853
Caddy IV	1.6L L4 DSL	69-9756TFK ²	3.3 @ 3400	Jetta V	1.6L L4 DSL	69-9756TFK ²	3.3 @ 3400
Caddy IV	2.0L L4 DSL	69-9756TFK ²	3.3 @ 3400	Jetta V	2.0L L4 DSL	69-9756TFK ²	3.3 @ 3400
CC	1.8L L4 F/I	69-9756TFK ²	3.3 @ 3400	Jetta V	2.0L L4 F/I	69-9756TFK ²	3.3 @ 3400
CC	2.0L L4 DSL	69-9756TFK ²	3.3 @ 3400	Passat	1.6L L4 DSL	69-9756TFK ²	3.3 @ 3400
CC	2.0L L4 F/I - Non-US	69-9756TFK ²	3.3 @ 3400	Passat	1.8L L4 F/I	69-9756TFK ²	3.3 @ 3400
CC	2.0L L4 F/I - US, Exc. LEV2 SULEV Test Group DVWXV02.03PA	69-9504TTK ¹	9.2 @ 4853	Passat CC	1.8L L4 F/I	69-9756TFK ²	3.3 @ 3400
Eos	2.0L L4 DSL	69-9756TFK ²	3.3 @ 3400	Passat CC	2.0L L4 DSL	69-9756TFK ²	3.3 @ 3400
Eos	2.0L L4 F/I - Non-US	69-9756TFK ²	3.3 @ 3400	Scirocco	2.0L L4 DSL	69-9756TFK ²	3.3 @ 3400
Eos	2.0L L4 F/I - US	69-9504TTK ¹	9.2 @ 4853				
Golf Plus	1.6L L4 DSL	69-9756TFK ²	3.3 @ 3400				

1) Street legal in all US states. 2) Not legal for sale or use on any pollution controlled motor vehicle in California or states adopting California emission procedures.

* Estimated horsepower gains are based on specific or similar vehicle dyno tests. Results will vary. See Page 478 for more information. Partial Listing - Complete List of Vehicles and Applications at knfilters.com. See page 5 for information on intake tube materials/colors.

AIR INTAKE SYSTEMS

VOLKSWAGEN

Vehicle	Engine Type	Part Number	Estimated Horsepower*	Vehicle	Engine Type	Part Number	Estimated Horsepower*
2012 VOLKSWAGEN				2009 VOLKSWAGEN			
Scirocco	2.0L L4 F/I - 211BHP	69-9756TFK ²	3.3 @ 3400	CC	2.0L L4 F/I - US	69-9504TTK ¹	9.2 @ 4853
Sharan II	2.0L L4 DSL	69-9756TFK ²	3.3 @ 3400	Eos	2.0L L4 DSL	69-9756TFK ²	3.3 @ 3400
Sharan II	2.0L L4 F/I	69-9756TFK ²	3.3 @ 3400	Eos	2.0L L4 F/I - US	69-9504TTK ¹	9.2 @ 4853
Tiguan	2.0L L4 F/I - US	69-9504TTK ¹	9.2 @ 4853	Golf V	1.9L L4 DSL	69-9756TFK ²	3.3 @ 3400
Touran	2.0L L4 DSL	69-9756TFK ²	3.3 @ 3400	Golf V	2.0L L4 DSL	69-9756TFK ²	3.3 @ 3400
2011 VOLKSWAGEN				2008 VOLKSWAGEN			
Caddy IV	1.6L L4 DSL	69-9756TFK ²	3.3 @ 3400	Eos	2.0L L4 DSL	69-9756TFK ²	3.3 @ 3400
Caddy IV	2.0L L4 DSL	69-9756TFK ²	3.3 @ 3400	Eos	2.0L L4 F/I - 150BHP	69-9754TS ²	
CC	2.0L L4 F/I - US, Exc. LEV2 SULEV Test Group BVWXV02.03PA	69-9504TTK ¹	9.2 @ 4853	Eos	2.0L L4 F/I - 200BHP	69-9503TFK ²	18.6 @ 4500
Eos	2.0L L4 F/I - US	69-9504TTK ¹	9.2 @ 4853	Golf Plus	1.9L L4 DSL	69-9756TFK ²	3.3 @ 3400
Golf Plus	1.6L L4 DSL	69-9756TFK ²	3.3 @ 3400	Golf Plus	2.0L L4 DSL	69-9756TFK ²	3.3 @ 3400
Golf Plus	2.0L L4 DSL	69-9756TFK ²	3.3 @ 3400	Golf V	1.9L L4 DSL	69-9756TFK ²	3.3 @ 3400
Golf VI	1.6L L4 DSL	69-9756TFK ²	3.3 @ 3400	Golf V	2.0L L4 DSL	69-9756TFK ²	3.3 @ 3400
Golf VI	1.8L L4 F/I	69-9756TFK ²	3.3 @ 3400	Golf V	2.0L L4 F/I - 200BHP	69-9503TFK ²	18.6 @ 4500
Golf VI	2.0L L4 DSL	69-9756TFK ²	3.3 @ 3400	Golf V GTI	2.0L L4 F/I	69-9503TFK ²	18.6 @ 4500
Golf VI	2.0L L4 F/I - 211BHP	69-9756TFK ²	3.3 @ 3400	Golf VI	2.0L L4 DSL	69-9756TFK ²	3.3 @ 3400
GTI	2.0L L4 F/I - US, Exc. LEV2 SULEV Test Group BADXV02.03PA	69-9504TTK ¹	9.2 @ 4853	GTI	2.0L L4 F/I	69-9503TFK ¹	18.6 @ 4500
Passat	1.6L L4 DSL	69-9756TFK ²	3.3 @ 3400	Jetta V	1.9L L4 DSL	69-9756TFK ²	3.3 @ 3400
Passat CC	1.8L L4 F/I	69-9756TFK ²	3.3 @ 3400	Jetta V	2.0L L4 DSL	69-9756TFK ²	3.3 @ 3400
Passat CC	2.0L L4 DSL	69-9756TFK ²	3.3 @ 3400	Jetta V	2.0L L4 F/I - 150BHP	69-9754TS ²	
Scirocco	2.0L L4 DSL	69-9756TFK ²	3.3 @ 3400	Jetta V	2.0L L4 F/I - 200BHP	69-9503TFK ²	18.6 @ 4500
Scirocco	2.0L L4 F/I - 211BHP	69-9756TFK ²	3.3 @ 3400	Passat	1.8L L4 F/I	69-9756TFK ²	3.3 @ 3400
Sharan II	2.0L L4 DSL	69-9756TFK ²	3.3 @ 3400	Passat	1.9L L4 DSL	69-9756TFK ²	3.3 @ 3400
Sharan II	2.0L L4 F/I	69-9756TFK ²	3.3 @ 3400	Passat	2.0L L4 DSL	69-9756TFK ²	3.3 @ 3400
Tiguan	2.0L L4 F/I - US	69-9504TTK ¹	9.2 @ 4853	Passat	2.0L L4 F/I - Non-US, 200BHP	69-9503TFK ²	18.6 @ 4500
Touran	2.0L L4 DSL	69-9756TFK ²	3.3 @ 3400	Scirocco	2.0L L4 DSL	69-9756TFK ²	3.3 @ 3400
2010 VOLKSWAGEN				2007 VOLKSWAGEN			
CC	2.0L L4 F/I - US, Exc. LEV2 SULEV Test Group AVWXV02.03PA	69-9504TTK ¹	9.2 @ 4853	Eos	2.0L L4 DSL	69-9756TFK ²	3.3 @ 3400
Eos	2.0L L4 F/I - US	69-9504TTK ¹	9.2 @ 4853	Eos	2.0L L4 F/I - 150BHP	69-9754TS ²	
Golf Plus	1.6L L4 DSL	69-9756TFK ²	3.3 @ 3400	Eos	2.0L L4 F/I - 200BHP	69-9503TFK ²	18.6 @ 4500
Golf Plus	2.0L L4 DSL	69-9756TFK ²	3.3 @ 3400	Golf Plus	1.9L L4 DSL	69-9756TFK ²	3.3 @ 3400
Golf VI	1.6L L4 DSL	69-9756TFK ²	3.3 @ 3400	Golf V	2.0L L4 DSL	69-9756TFK ²	3.3 @ 3400
Golf VI	1.8L L4 F/I	69-9756TFK ²	3.3 @ 3400	Golf V	2.0L L4 F/I - 200BHP	69-9503TFK ²	18.6 @ 4500
Golf VI	2.0L L4 DSL	69-9756TFK ²	3.3 @ 3400	Golf V GTI	2.0L L4 F/I	69-9503TFK ²	18.6 @ 4500
Golf VI	2.0L L4 F/I - 211BHP	69-9756TFK ²	3.3 @ 3400	Golf VI	2.0L L4 DSL	69-9756TFK ²	3.3 @ 3400
GTI	2.0L L4 F/I - US, Exc. LEV2 SULEV Test Group AADXV02.03PA	69-9504TTK ¹	9.2 @ 4853	GTI	2.0L L4 F/I	69-9503TFK ¹	18.6 @ 4500
Jetta GLi	2.0L L4 F/I - US, Exc. LEV2 SULEV Test Group AADXV02.03PA	69-9504TTK ¹	9.2 @ 4853	Jetta V	1.9L L4 DSL	69-9756TFK ²	3.3 @ 3400
Passat	2.0L L4 F/I - US, Exc. LEV2 SULEV Test Group AVWXV02.03PA	69-9504TTK ¹	9.2 @ 4853	Jetta V	2.0L L4 DSL	69-9756TFK ²	3.3 @ 3400
Passat CC	1.8L L4 F/I	69-9756TFK ²	3.3 @ 3400	Jetta V	2.0L L4 F/I - 150BHP	69-9754TS ²	
Passat CC	2.0L L4 DSL	69-9756TFK ²	3.3 @ 3400	Jetta V	2.0L L4 F/I - 200BHP	69-9503TFK ²	18.6 @ 4500
Scirocco	2.0L L4 DSL	69-9756TFK ²	3.3 @ 3400	Passat	1.8L L4 F/I	69-9756TFK ²	3.3 @ 3400
Scirocco	2.0L L4 F/I - 211BHP	69-9756TFK ²	3.3 @ 3400	Passat	1.9L L4 DSL	69-9756TFK ²	3.3 @ 3400
Sharan II	2.0L L4 DSL	69-9756TFK ²	3.3 @ 3400	Passat	2.0L L4 DSL	69-9756TFK ²	3.3 @ 3400
Tiguan	2.0L L4 F/I - US	69-9504TTK ¹	9.2 @ 4853	Passat	2.0L L4 F/I - Non-US, 200BHP	69-9503TFK ²	18.6 @ 4500
Touran	1.9L L4 DSL	69-9756TFK ²	3.3 @ 3400	Scirocco	2.0L L4 DSL	69-9756TFK ²	3.3 @ 3400
Touran	2.0L L4 DSL	69-9756TFK ²	3.3 @ 3400	Scirocco	2.0L L4 F/I - 211BHP	69-9756TFK ²	3.3 @ 3400
				Touran	1.9L L4 DSL	69-9756TFK ²	3.3 @ 3400
				Touran	2.0L L4 DSL	69-9756TFK ²	3.3 @ 3400

1) Street legal in all US states. 2) Not legal for sale or use on any pollution controlled motor vehicle in California or states adopting California emission procedures.

* Estimated horsepower gains are based on specific or similar vehicle dyno tests. Results will vary. See Page 478 for more information. Partial Listing - Complete List of Vehicles and Applications at knfilters.com. See page 5 for information on intake tube materials/colors.

VOLKSWAGEN

AIR INTAKE SYSTEMS

Vehicle	Engine Type	Part Number	Estimated Horsepower*	Vehicle	Engine Type	Part Number	Estimated Horsepower*
2007 VOLKSWAGEN				2005 VOLKSWAGEN			
Golf Plus	2.0L L4 DSL	69-9756TFK ²	3.3 @ 3400	Golf	2.0L L4 F/I	69-9501TB ¹	10.0 @ 5079
Golf Plus	2.0L L4 F/I	69-9754TS ²		Golf GTI	1.8L L4 F/I	69-9501TP ¹	10.0 @ 5079
Golf V	1.9L L4 DSL	69-9756TFK ²	3.3 @ 3400			69-9501TB ¹	10.0 @ 5079
Golf V	2.0L L4 DSL	69-9756TFK ²	3.3 @ 3400	Golf Plus	1.9L L4 DSL	69-9756TFK ²	3.3 @ 3400
Golf V	2.0L L4 F/I - 150BHP	69-9754TS ²		Golf Plus	2.0L L4 DSL	69-9756TFK ²	3.3 @ 3400
Golf V	2.0L L4 F/I - 200BHP	69-9503TFK ²	18.6 @ 4500	Golf Plus	2.0L L4 F/I	69-9754TS ²	
Golf V GTI	2.0L L4 F/I	69-9503TFK ²	18.6 @ 4500	Golf V	1.9L L4 DSL	69-9756TFK ²	3.3 @ 3400
GTI	2.0L L4 F/I	69-9503TFK ¹	18.6 @ 4500	Golf V	2.0L L4 DSL	69-9756TFK ²	3.3 @ 3400
Jetta GLi	2.0L L4 F/I	69-9503TFK ¹	18.6 @ 4500	Golf V	2.0L L4 F/I - 150BHP	69-9754TS ²	
Jetta V	1.9L L4 DSL	69-9756TFK ²	3.3 @ 3400	Golf V	2.0L L4 F/I - 200BHP	69-9503TFK ²	18.6 @ 4500
Jetta V	2.0L L4 DSL	69-9756TFK ²	3.3 @ 3400	Golf V GTI	2.0L L4 F/I	69-9503TFK ²	18.6 @ 4500
Jetta V	2.0L L4 F/I - 150BHP	69-9754TS ²		Jetta V	1.9L L4 DSL	69-9756TFK ²	3.3 @ 3400
Jetta V	2.0L L4 F/I - 200BHP	69-9503TFK ²	18.6 @ 4500	Jetta V	2.0L L4 DSL	69-9756TFK ²	3.3 @ 3400
Passat	1.9L L4 DSL	69-9756TFK ²	3.3 @ 3400	Jetta V	2.0L L4 F/I - 150BHP	69-9754TS ²	
Passat	2.0L L4 DSL	69-9756TFK ²	3.3 @ 3400	Jetta V	2.0L L4 F/I - 200BHP	69-9503TFK ²	18.6 @ 4500
Passat	2.0L L4 F/I - Non-US, 200BHP	69-9503TFK ²	18.6 @ 4500	Passat	1.9L L4 DSL - 3C Model	69-9756TFK ²	3.3 @ 3400
Touran	1.9L L4 DSL	69-9756TFK ²	3.3 @ 3400	Passat	2.0L L4 DSL - 3C Model	69-9756TFK ²	3.3 @ 3400
Touran	2.0L L4 DSL	69-9756TFK ²	3.3 @ 3400	Passat	2.0L L4 F/I - Non-US, 200BHP, 3C Model	69-9503TFK ²	18.6 @ 4500
2006 VOLKSWAGEN				Touran	1.9L L4 DSL	69-9756TFK ²	3.3 @ 3400
Eos	2.0L L4 DSL	69-9756TFK ²	3.3 @ 3400	Touran	2.0L L4 DSL	69-9756TFK ²	3.3 @ 3400
Eos	2.0L L4 F/I - 150BHP	69-9754TS ²		2004 VOLKSWAGEN			
Eos	2.0L L4 F/I - 200BHP	69-9503TFK ²	18.6 @ 4500	Bora	1.4L L4 F/I	69-9751TS ²	
Golf Plus	1.9L L4 DSL	69-9756TFK ²	3.3 @ 3400			69-9751TB ²	
Golf Plus	2.0L L4 DSL	69-9756TFK ²	3.3 @ 3400	Bora	1.6L L4 F/I - 105BHP	69-9751TS ²	
Golf Plus	2.0L L4 F/I	69-9754TS ²				69-9751TB ²	
Golf V	1.9L L4 DSL	69-9756TFK ²	3.3 @ 3400	Bora	1.8L L4 F/I - 180BHP	69-9501TP ²	10.0 @ 5079
Golf V	2.0L L4 DSL	69-9756TFK ²	3.3 @ 3400			69-9501TB ²	10.0 @ 5079
Golf V	2.0L L4 F/I - 150BHP	69-9754TS ²		Bora	2.0L L4 F/I - w/Eng. AAP	69-9501TP ²	10.0 @ 5079
Golf V	2.0L L4 F/I - 200BHP	69-9503TFK ²	18.6 @ 4500			69-9501TB ²	10.0 @ 5079
Golf V GTI	2.0L L4 F/I	69-9503TFK ²	18.6 @ 4500	Bora	2.3L V5 F/I	69-8250TWR ²	
GTI	2.0L L4 F/I	69-9503TFK ¹	18.6 @ 4500			69-8250TS ²	
Jetta GLi	2.0L L4 F/I	69-9503TFK ¹	18.6 @ 4500	Bora	2.8L V6 F/I	69-8250TWR ²	
Jetta V	1.9L L4 DSL	69-9756TFK ²	3.3 @ 3400			69-8250TS ²	
Jetta V	2.0L L4 DSL	69-9756TFK ²	3.3 @ 3400	Golf	2.0L L4 F/I - US	69-9501TP ¹	10.0 @ 5079
Jetta V	2.0L L4 F/I - 150BHP	69-9754TS ²				69-9501TB ¹	10.0 @ 5079
Jetta V	2.0L L4 F/I - 200BHP	69-9503TFK ²	18.6 @ 4500	Golf GTI	1.8L L4 F/I - US	69-9501TP ¹	10.0 @ 5079
Passat	1.9L L4 DSL	69-9756TFK ²	3.3 @ 3400			69-9501TB ¹	10.0 @ 5079
Passat	2.0L L4 DSL	69-9756TFK ²	3.3 @ 3400	Golf IV	1.4L L4 F/I	69-9751TS ²	
Passat	2.0L L4 F/I - Non-US, 200BHP	69-9503TFK ²	18.6 @ 4500			69-9751TB ²	
Touran	1.9L L4 DSL	69-9756TFK ²	3.3 @ 3400	Golf IV	1.6L L4 F/I - 102/105BHP	69-9751TS ²	
Touran	2.0L L4 DSL	69-9756TFK ²	3.3 @ 3400			69-9751TB ²	
2005 VOLKSWAGEN				Golf IV	1.8L L4 F/I - 150BHP, w/Eng. AAP	69-9501TP ²	10.0 @ 5079
Bora	1.4L L4 F/I	69-9751TS ²				69-9501TB ²	10.0 @ 5079
		69-9751TB ²		Golf IV	2.0L L4 F/I	69-9501TP ²	10.0 @ 5079
Bora	1.6L L4 F/I - 105BHP	69-9751TS ²				69-9501TB ²	10.0 @ 5079
		69-9751TB ²		Golf IV	2.3L L5 F/I - 170BHP	69-8250TWR ²	
Bora	1.8L L4 F/I - 180BHP	69-9501TP ²	10.0 @ 5079			69-8250TS ²	
		69-9501TB ²	10.0 @ 5079	Golf IV	2.8L V6 F/I	69-8250TWR ²	
Bora	2.0L L4 F/I - w/Eng. AAP	69-9501TP ²	10.0 @ 5079			69-8250TS ²	
		69-9501TB ²	10.0 @ 5079	Golf IV	3.2L V6 F/I	69-9502TP ²	17.7 @ 5684
Bora	2.3L V5 F/I	69-8250TWR ²				69-9502TB ²	17.7 @ 5684
		69-8250TS ²					
Golf	2.0L L4 F/I	69-9501TP ¹	10.0 @ 5079				

1) Street legal in all US states. 2) Not legal for sale or use on any pollution controlled motor vehicle in California or states adopting California emission procedures.

* Estimated horsepower gains are based on specific or similar vehicle dyno tests. Results will vary. See Page 478 for more information. Partial Listing - Complete List of Vehicles and Applications at knfilters.com. See page 5 for information on intake tube materials/colors.

AIR INTAKE SYSTEMS

VOLKSWAGEN

Vehicle	Engine Type	Part Number	Estimated Horsepower*	Vehicle	Engine Type	Part Number	Estimated Horsepower*
2004 VOLKSWAGEN				2003 VOLKSWAGEN			
Golf IV GTI	1.8L L4 F/I - w/Eng. AAP	69-9501TP ² 69-9501TB ²	10.0 @ 5079 10.0 @ 5079	Golf IV	3.2L V6 F/I	69-9502TB ²	17.7 @ 5684
Golf Plus	2.0L L4 DSL	69-9756TFK ²	3.3 @ 3400	Golf IV GTI	1.8L L4 F/I - w/Eng. AAP	69-9501TP ² 69-9501TB ²	10.0 @ 5079 10.0 @ 5079
Golf R32	3.2L V6 F/I	69-9502TP ¹ 69-9502TB ¹	17.7 @ 5684 17.7 @ 5684	Golf V	1.9L L4 DSL	69-9756TFK ²	3.3 @ 3400
Golf V	1.9L L4 DSL	69-9756TFK ²	3.3 @ 3400	Golf V	2.0L L4 DSL	69-9756TFK ²	3.3 @ 3400
Golf V	2.0L L4 DSL	69-9756TFK ²	3.3 @ 3400	Jetta	1.8L L4 F/I - Exc. LEV2 SULEV Test Group 3VVXV02.0227	69-9501TP ¹	10.0 @ 5079
Golf V	2.0L L4 F/I - 150BHP	69-9754TS ²				69-9501TB ¹	10.0 @ 5079
Golf V	2.0L L4 F/I - 200BHP	69-9503TFK ²	18.6 @ 4500	Jetta	2.0L L4 F/I - Exc. LEV2 SULEV Test Group 3VVXV02.0227	69-9501TP ¹	10.0 @ 5079
Golf V GTI	2.0L L4 F/I	69-9503TFK ²	18.6 @ 4500			69-9501TB ¹	10.0 @ 5079
Jetta	1.8L L4 F/I - Exc. LEV2 SULEV Test Group 4VWXV02.0227	69-9501TP ¹	10.0 @ 5079	Touran	1.9L L4 DSL	69-9756TFK ²	3.3 @ 3400
		69-9501TB ¹	10.0 @ 5079	Touran	2.0L L4 DSL	69-9756TFK ²	3.3 @ 3400
Jetta	2.0L L4 F/I - Exc. LEV2 SULEV Test Group 4VWXV02.0227	69-9501TP ¹	10.0 @ 5079	2002 VOLKSWAGEN			
		69-9501TB ¹	10.0 @ 5079	Bora	1.4L L4 F/I	69-9751TS ² 69-9751TB ²	
Touran	1.9L L4 DSL	69-9756TFK ²	3.3 @ 3400	Bora	1.6L L4 F/I - 105BHP	69-9751TS ² 69-9751TB ²	
Touran	2.0L L4 DSL	69-9756TFK ²	3.3 @ 3400	Bora	1.8L L4 F/I - 180BHP	69-9501TP ² 69-9501TB ²	10.0 @ 5079 10.0 @ 5079
2003 VOLKSWAGEN				Bora	2.0L L4 F/I - w/Eng. AAP	69-9501TP ² 69-9501TB ²	10.0 @ 5079 10.0 @ 5079
Bora	1.4L L4 F/I	69-9751TS ² 69-9751TB ²		Bora	2.3L V5 F/I	69-8250TWR ² 69-8250TS ²	
Bora	1.6L L4 F/I - 105BHP	69-9751TS ² 69-9751TB ²		Bora	2.8L V6 F/I	69-8250TWR ² 69-8250TS ²	
Bora	1.8L L4 F/I - 180BHP	69-9501TP ² 69-9501TB ²	10.0 @ 5079 10.0 @ 5079	Bora	2.0L L4 F/I - US	69-9501TP ¹ 69-9501TB ¹	10.0 @ 5079 10.0 @ 5079
Bora	2.0L L4 F/I - w/Eng. AAP	69-9501TP ² 69-9501TB ²	10.0 @ 5079 10.0 @ 5079	Golf GTI	1.8L L4 F/I - US	69-9501TP ¹ 69-9501TB ¹	10.0 @ 5079 10.0 @ 5079
Bora	2.3L V5 F/I	69-8250TWR ² 69-8250TS ²		Golf IV	1.4L L4 F/I	69-9751TS ² 69-9751TB ²	
Bora	2.8L V6 F/I	69-8250TWR ² 69-8250TS ²		Golf IV	1.6L L4 F/I - 102/105BHP	69-9751TS ² 69-9751TB ²	
Golf	2.0L L4 F/I - US	69-9501TP ¹ 69-9501TB ¹	10.0 @ 5079 10.0 @ 5079	Golf IV	1.8L L4 F/I - 150BHP, w/Eng. AAP	69-9501TP ² 69-9501TB ²	10.0 @ 5079 10.0 @ 5079
Golf GTI	1.8L L4 F/I - US	69-9501TP ¹ 69-9501TB ¹	10.0 @ 5079 10.0 @ 5079	Golf IV	2.0L L4 F/I	69-9501TP ² 69-9501TB ²	10.0 @ 5079 10.0 @ 5079
Golf IV	1.4L L4 F/I	69-9751TS ² 69-9751TB ²		Golf IV	2.3L L5 F/I - 170BHP	69-8250TWR ² 69-8250TS ²	
Golf IV	1.6L L4 F/I - 102/105BHP	69-9751TS ² 69-9751TB ²		Golf IV	2.8L V6 F/I	69-8250TWR ² 69-8250TS ²	
Golf IV	1.8L L4 F/I - 150BHP, w/Eng. AAP	69-9501TP ² 69-9501TB ²	10.0 @ 5079 10.0 @ 5079	Golf IV	3.2L V6 F/I	69-9502TP ² 69-9502TB ²	17.7 @ 5684 17.7 @ 5684
Golf IV	2.0L L4 F/I	69-9501TP ² 69-9501TB ²	10.0 @ 5079 10.0 @ 5079	Golf IV GTI	1.8L L4 F/I - w/Eng. AAP	69-9501TP ²	10.0 @ 5079
Golf IV	2.3L L5 F/I - 170BHP	69-8250TWR ² 69-8250TS ²				69-9501TB ²	10.0 @ 5079
Golf IV	2.8L V6 F/I	69-8250TWR ² 69-8250TS ²		Jetta	1.8L L4 F/I	69-9501TP ¹	10.0 @ 5079
Golf IV	3.2L V6 F/I	69-9502TP ²	17.7 @ 5684				

1) Street legal in all US states. 2) Not legal for sale or use on any pollution controlled motor vehicle in California or states adopting California emission procedures.

* Estimated horsepower gains are based on specific or similar vehicle dyno tests. Results will vary. See Page 478 for more information. Partial Listing - Complete List of Vehicles and Applications at knfilters.com. See page 5 for information on intake tube materials/colors.

VOLKSWAGEN

AIR INTAKE SYSTEMS

Vehicle	Engine Type	Part Number	Estimated Horsepower*	Vehicle	Engine Type	Part Number	Estimated Horsepower*
2002 VOLKSWAGEN				2000 VOLKSWAGEN			
Jetta	1.8L L4 F/I	69-9501TB ¹	10.0 @ 5079	Bora	1.6L L4 F/I - 105BHP	69-9751TB ²	
Jetta	2.0L L4 F/I	69-9501TP ¹	10.0 @ 5079	Bora	1.8L L4 F/I - 180BHP	69-9501TP ²	10.0 @ 5079
		69-9501TB ¹	10.0 @ 5079			69-9501TB ²	10.0 @ 5079
2001 VOLKSWAGEN				Bora	2.0L L4 F/I - Exc. Eng. AAP	69-9752TP ²	8.0 @ 6000
Bora	1.4L L4 F/I	69-9751TS ²				69-9752TB ²	8.0 @ 6000
		69-9751TB ²		Bora	2.0L L4 F/I - w/Eng. AAP	69-9501TP ²	10.0 @ 5079
Bora	1.6L L4 F/I - 105BHP	69-9751TS ²				69-9501TB ²	10.0 @ 5079
		69-9751TB ²		Bora	2.3L V5 F/I - 170BHP	69-8250TWR ²	
Bora	1.8L L4 F/I - 180BHP	69-9501TP ²	10.0 @ 5079			69-8250TS ²	
		69-9501TB ²	10.0 @ 5079	Bora	2.8L V6 F/I	69-8250TWR ²	
Bora	2.0L L4 F/I - w/Eng. AAP	69-9501TP ²	10.0 @ 5079			69-8250TS ²	
		69-9501TB ²	10.0 @ 5079	Bora	2.0L L4 F/I	69-9501TP ¹	10.0 @ 5079
Bora	2.3L V5 F/I	69-8250TWR ²				69-9501TB ¹	10.0 @ 5079
		69-8250TS ²		Golf	1.4L L4 F/I	69-9751TS ²	
Bora	2.8L V6 F/I	69-8250TWR ²				69-9751TB ²	
		69-8250TS ²		Golf IV	1.4L L4 F/I	69-9751TS ²	
Golf	1.8L L4 F/I - US	69-9501TP ²	10.0 @ 5079			69-9751TB ²	
		69-9501TB ²	10.0 @ 5079	Golf IV	1.6L L4 F/I - 102/105BHP	69-9501TP ²	10.0 @ 5079
Golf	2.0L L4 F/I	69-9501TP ¹	10.0 @ 5079			69-9752TB ²	8.0 @ 6000
		69-9501TB ¹	10.0 @ 5079	Golf IV	2.0L L4 F/I - w/Eng. AAP	69-9501TP ²	10.0 @ 5079
Golf GTI	1.8L L4 F/I - US	69-9501TP ¹	10.0 @ 5079			69-9501TB ²	10.0 @ 5079
		69-9501TB ¹	10.0 @ 5079	Golf IV	2.0L L4 F/I - Exc. Eng. AAP	69-9752TP ²	8.0 @ 6000
Golf IV	1.4L L4 F/I	69-9751TS ²				69-9752TB ²	8.0 @ 6000
		69-9751TB ²		Golf IV	2.0L L4 F/I - w/Eng. AAP	69-9501TP ²	10.0 @ 5079
Golf IV	1.6L L4 F/I - 102/105BHP	69-9751TS ²				69-9501TB ²	10.0 @ 5079
		69-9751TB ²		Golf IV	2.3L L5 F/I - 170BHP	69-8250TWR ²	
Golf IV	1.8L L4 F/I - 150BHP, w/Eng. AAP	69-9501TP ²	10.0 @ 5079			69-8250TS ²	
		69-9501TB ²	10.0 @ 5079	Golf IV	2.8L V6 F/I	69-8250TWR ²	
Golf IV	2.0L L4 F/I - Exc. Eng. AAP	69-9752TP ²	8.0 @ 6000			69-8250TS ²	
		69-9752TB ²	8.0 @ 6000	Golf IV GTI	1.8L L4 F/I - w/Eng. AAP	69-9501TP ²	10.0 @ 5079
Golf IV	2.0L L4 F/I - w/Eng. AAP	69-9501TP ²	10.0 @ 5079			69-9501TB ²	10.0 @ 5079
		69-9501TB ²	10.0 @ 5079	Jetta	1.8L L4 F/I	69-9501TP ¹	10.0 @ 5079
Golf IV	2.3L L5 F/I - 170BHP	69-8250TWR ²				69-9501TB ¹	10.0 @ 5079
		69-8250TS ²		Jetta	2.0L L4 F/I	69-9501TP ¹	10.0 @ 5079
Golf IV	2.8L V6 F/I	69-8250TWR ²				69-9501TB ¹	10.0 @ 5079
		69-8250TS ²		Polo	1.6L L4 F/I - Type 6N	69-9750TWR ²	
Golf IV GTI	1.8L L4 F/I - w/Eng. AAP	69-9501TP ²	10.0 @ 5079			69-9750TS ²	
		69-9501TB ²	10.0 @ 5079	1999 VOLKSWAGEN			
Jetta	1.8L L4 F/I	69-9501TP ¹	10.0 @ 5079	Bora	2.0L L4 F/I - Exc. Eng. AAP	69-9752TP ²	8.0 @ 6000
		69-9501TB ¹	10.0 @ 5079			69-9752TB ²	8.0 @ 6000
Jetta	2.0L L4 F/I	69-9501TP ¹	10.0 @ 5079	Bora	2.8L V6 F/I	69-8250TWR ²	
		69-9501TB ¹	10.0 @ 5079			69-8250TS ²	
Polo	1.6L L4 F/I - Type 6N	69-9750TWR ²		Golf IV	1.4L L4 F/I	69-9751TS ²	
		69-9750TS ²				69-9751TB ²	
2000 VOLKSWAGEN				Golf IV	1.8L L4 F/I - w/Eng. AAP	69-9501TP ²	10.0 @ 5079
Bora	1.4L L4 F/I	69-9751TS ²				69-9501TB ²	10.0 @ 5079
		69-9751TB ²		Golf IV	2.0L L4 F/I - Exc. Eng. AAP	69-9752TP ²	8.0 @ 6000
Bora	1.6L L4 F/I - 105BHP	69-9751TS ²					

1) Street legal in all US states. 2) Not legal for sale or use on any pollution controlled motor vehicle in California or states adopting California emission procedures.

* Estimated horsepower gains are based on specific or similar vehicle dyno tests. Results will vary. See Page 478 for more information. Partial Listing - Complete List of Vehicles and Applications at knfilters.com. See page 5 for information on intake tube materials/colors.

AIR INTAKE SYSTEMS

VOLKSWAGEN

Vehicle	Engine Type	Part Number	Estimated Horsepower*	Vehicle	Engine Type	Part Number	Estimated Horsepower*
1999 VOLKSWAGEN				2006 VOLVO			
Golf IV	2.0L L4 F/I - Exc. Eng. AAP	69-9752TB ²	8.0 @ 6000	C30	2.5L L5 F/I	69-9000TS ¹	14.6 @ 3925
Golf IV	2.0L L4 F/I - w/Eng. AAP	69-9501TP ²	10.0 @ 5079	S40	2.5L L5 F/I	69-9000TS ¹	14.6 @ 3925
		69-9501TB ²	10.0 @ 5079	S40 II	2.5L L5 F/I	69-9000TS ²	14.6 @ 3925
Golf IV	2.8L V6 F/I	69-8250TWR ²		V50	2.5L L5 F/I - Non-US	69-9000TS ²	14.6 @ 3925
		69-8250TS ²		2005 VOLVO			
Golf IV GTI	1.8L L4 F/I	69-9501TP ²	10.0 @ 5079	S40	2.5L L5 F/I	69-9000TS ¹	14.6 @ 3925
		69-9501TB ²	10.0 @ 5079	S40 II	2.5L L5 F/I	69-9000TS ²	14.6 @ 3925
Polo	1.6L L4 F/I - Type 6N, 120/125BHP	69-9750TS ²		V50	2.5L L5 F/I - Non-US	69-9000TS ²	14.6 @ 3925
Polo	1.6L L4 F/I - Type 6N, Exc., 75BHP	69-9750TWR ²		2004 VOLVO			
1998 VOLKSWAGEN				S40	2.5L L5 F/I	69-9000TS ¹	14.6 @ 3925
Bora	2.0L L4 F/I - Exc. Eng. AAP	69-9752TP ²	8.0 @ 6000	S40 II	2.5L L5 F/I	69-9000TS ²	14.6 @ 3925
		69-9752TB ²	8.0 @ 6000	V50	2.5L L5 F/I	69-9000TS ²	14.6 @ 3925
Golf IV	1.4L L4 F/I	69-9751TS ²		2012 VOLVO			
		69-9751TB ²		C30	2.5L L5 F/I - Non-US	69-9000TS ²	14.6 @ 3925
Golf IV	2.0L L4 F/I - Exc. Eng. AAP	69-9752TP ²	8.0 @ 6000	S40 II	2.5L L5 F/I	69-9000TS ²	14.6 @ 3925
		69-9752TB ²	8.0 @ 6000	V50	2.5L L5 F/I - Non-US	69-9000TS ²	14.6 @ 3925
Golf IV	2.0L L4 F/I - w/Eng. AAP	69-9501TP ²	10.0 @ 5079	2011 VOLVO			
		69-9501TB ²	10.0 @ 5079	C30	2.5L L5 F/I - Non-US	69-9000TS ²	14.6 @ 3925
Polo	1.6L L4 F/I - Type 6N, 120/125BHP	69-9750TWR ²		S40 II	2.5L L5 F/I - Non-US	69-9000TS ²	14.6 @ 3925
		69-9750TS ²		V50	2.5L L5 F/I - Non-US	69-9000TS ²	14.6 @ 3925
2012 VOLVO				2010 VOLVO			
C30	2.5L L5 F/I - Non-US	69-9000TS ²	14.6 @ 3925	C30	2.5L L5 F/I	69-9000TS ¹	14.6 @ 3925
S40 II	2.5L L5 F/I	69-9000TS ²	14.6 @ 3925	S40 II	2.5L L5 F/I - Non-US	69-9000TS ²	14.6 @ 3925
V50	2.5L L5 F/I - Non-US	69-9000TS ²	14.6 @ 3925	V50	2.5L L5 F/I - Non-US	69-9000TS ²	14.6 @ 3925
2011 VOLVO				2009 VOLVO			
C30	2.5L L5 F/I - Non-US	69-9000TS ²	14.6 @ 3925	C30	2.5L L5 F/I	69-9000TS ¹	14.6 @ 3925
S40 II	2.5L L5 F/I - Non-US	69-9000TS ²	14.6 @ 3925	S40 II	2.5L L5 F/I	69-9000TS ²	14.6 @ 3925
V50	2.5L L5 F/I - Non-US	69-9000TS ²	14.6 @ 3925	V50	2.5L L5 F/I - Non-US	69-9000TS ²	14.6 @ 3925
2010 VOLVO				2008 VOLVO			
C30	2.5L L5 F/I	69-9000TS ¹	14.6 @ 3925	C30	2.5L L5 F/I	69-9000TS ¹	14.6 @ 3925
S40 II	2.5L L5 F/I - Non-US	69-9000TS ²	14.6 @ 3925	S40 II	2.5L L5 F/I	69-9000TS ²	14.6 @ 3925
V50	2.5L L5 F/I - Non-US	69-9000TS ²	14.6 @ 3925	V50	2.5L L5 F/I - Non-US	69-9000TS ²	14.6 @ 3925
2009 VOLVO				2007 VOLVO			
C30	2.5L L5 F/I	69-9000TS ¹	14.6 @ 3925	C30	2.5L L5 F/I	69-9000TS ¹	14.6 @ 3925
S40 II	2.5L L5 F/I	69-9000TS ²	14.6 @ 3925	S40 II	2.5L L5 F/I	69-9000TS ²	14.6 @ 3925
V50	2.5L L5 F/I - Non-US	69-9000TS ²	14.6 @ 3925	V50	2.5L L5 F/I - Non-US	69-9000TS ²	14.6 @ 3925
2008 VOLVO				2007 VOLVO			
C30	2.5L L5 F/I	69-9000TS ¹	14.6 @ 3925	C30	2.5L L5 F/I	69-9000TS ¹	14.6 @ 3925
S40 II	2.5L L5 F/I	69-9000TS ²	14.6 @ 3925	S40 II	2.5L L5 F/I	69-9000TS ²	14.6 @ 3925
V50	2.5L L5 F/I - Non-US	69-9000TS ²	14.6 @ 3925	V50	2.5L L5 F/I - Non-US	69-9000TS ²	14.6 @ 3925
2007 VOLVO				2007 VOLVO			
C30	2.5L L5 F/I	69-9000TS ¹	14.6 @ 3925	C30	2.5L L5 F/I	69-9000TS ¹	14.6 @ 3925
S40 II	2.5L L5 F/I	69-9000TS ²	14.6 @ 3925	S40 II	2.5L L5 F/I	69-9000TS ²	14.6 @ 3925
V50	2.5L L5 F/I - Non-US	69-9000TS ²	14.6 @ 3925	V50	2.5L L5 F/I - Non-US	69-9000TS ²	14.6 @ 3925

1) Street legal in all US states. 2) Not legal for sale or use on any pollution controlled motor vehicle in California or states adopting California emission procedures.

* Estimated horsepower gains are based on specific or similar vehicle dyno tests. Results will vary. See Page 478 for more information. Partial Listing - Complete List of Vehicles and Applications at knfilters.com. See page 5 for information on intake tube materials/colors.

ACURA

AIR & OIL FILTERS

Vehicle	Engine Type	Air Filter	Oil Filter	Vehicle	Engine Type	Air Filter	Oil Filter
2016 ACURA				2010 ACURA			
ILX	2.4L L4 F/I		HP-1010 ¹	CSX	2.0L L4 F/I		HP-1010 ¹
MDX	3.5L V6 F/I		HP-1010 ¹	MDX	3.7L V6 F/I	33-2454+	HP-1010 ¹
RDX	3.5L V6 F/I	33-2489+	HP-1010 ¹	RDX	2.3L L4 F/I	33-2382 ♦+	HP-1010 ¹
RLX	3.5L V6 F/I	33-5011 +	HP-1010 ¹	RL	3.7L V6 F/I	33-2425+	HP-1010 ¹
TLX	2.4L L4 F/I	33-2498	HP-1010 ¹	TL	3.5L V6 F/I	33-2403 ♦+	HP-1010 ¹
TLX	3.5L V6 F/I	33-2499	HP-1010 ¹	TL	3.7L V6 F/I	33-2403 ♦+	HP-1010 ¹
2015 ACURA				2009 ACURA			
ILX	1.5L L4 F/I		HP-1010 ¹	CSX	2.0L L4 F/I		HP-1010 ¹
ILX	2.0L L4 F/I	33-2468+	HP-1010 ¹	MDX	3.7L V6 F/I	33-2383+	HP-1010 ¹
ILX	2.4L L4 F/I	33-2473 ♦+	HP-1010 ¹	RDX	2.3L L4 F/I	33-2382 ♦+	HP-1010 ¹
MDX	3.5L V6 F/I	33-5013+	HP-1010 ¹	RL	3.7L V6 F/I	33-2425+	HP-1010 ¹
RDX	3.5L V6 F/I	33-2489+	HP-1010 ¹	TL	3.5L V6 F/I	33-2403 ♦+	HP-1010 ¹
RLX	3.5L V6 F/I	33-5011 +	HP-1010 ¹	TL	3.7L V6 F/I	33-2403 ♦+	HP-1010 ¹
TL	3.5L V6 F/I		HP-1010 ¹	TSX	2.4L L4 F/I	33-2430 ♦+	HP-1010 ¹
TL	3.7L V6 F/I		HP-1010 ¹	TSX	3.5L V6 F/I	33-2403+	HP-1010 ¹
TLX	2.4L L4 F/I	33-2498	HP-1010 ¹	TSX	3.5L V6 F/I	33-2499 ♦	HP-1010 ¹
TLX	3.5L V6 F/I	33-2499 ♦	HP-1010 ¹	TSX	2.4L L4 F/I		HP-1010 ¹
TSX	2.4L L4 F/I		HP-1010 ¹	TSX	3.5L V6 F/I		HP-1010 ¹
TSX	3.5L V6 F/I		HP-1010 ¹	2008 ACURA			
2014 ACURA				CSX	2.0L L4 F/I		HP-1010 ¹
ILX	1.5L L4 F/I	33-2348+	HP-1010 ¹	MDX	3.7L V6 F/I	33-2383+	HP-1010 ¹
ILX	2.0L L4 F/I	33-2468+	HP-1010 ¹	RDX	2.3L L4 F/I	33-2382 ♦+	HP-1010 ¹
ILX	2.4L L4 F/I	33-2473 ♦+	HP-1010 ¹	RL	3.5L V6 F/I	33-2299+	HP-1010 ¹
MDX	3.5L V6 F/I	33-5013+	HP-1010 ¹	TL	3.2L V6 F/I	33-2379 ♦+	HP-1010 ¹
RDX	3.5L V6 F/I	33-2489+	HP-1010 ¹	TL	3.5L V6 F/I	33-2379 ♦+	HP-1010 ¹
RLX	3.5L V6 F/I	33-5011 +	HP-1010 ¹	TSX	2.4L L4 F/I	33-2276 ♦+	HP-1010 ¹
TL	3.5L V6 F/I	33-2403 ♦+	HP-1010 ¹	2007 ACURA			
TL	3.7L V6 F/I	33-2403+	HP-1010 ¹	CSX	2.0L L4 F/I		HP-1010 ¹
TSX	2.4L L4 F/I	33-2430 ♦+	HP-1010 ¹	MDX	3.7L V6 F/I	33-2383+	HP-1010 ¹
TSX	3.5L V6 F/I	33-2403+	HP-1010 ¹	RDX	2.3L L4 F/I	33-2382 ♦+	HP-1010 ¹
2013 ACURA				RL	3.5L V6 F/I	33-2299+	HP-1010 ¹
ILX	1.5L L4 F/I	33-2348+	HP-1010 ¹	RSX	2.0L L4 F/I	E-2429	
ILX	2.0L L4 F/I	33-2468+	HP-1010 ¹	TL	3.2L V6 F/I	33-2379 ♦+	HP-1010 ¹
ILX	2.4L L4 F/I	33-2473 ♦+	HP-1010 ¹	TL	3.5L V6 F/I	33-2379 ♦+	HP-1010 ¹
MDX	3.7L V6 F/I	33-2454+	HP-1010 ¹	TSX	2.4L L4 F/I	33-2276 ♦+	HP-1010 ¹
RDX	3.5L V6 F/I	33-2489+	HP-1010 ¹	2006 ACURA			
TL	3.5L V6 F/I	33-2403 ♦+	HP-1010 ¹	CSX	2.0L L4 F/I		HP-1010 ¹
TL	3.7L V6 F/I	33-2403+	HP-1010 ¹	MDX	3.5L V6 F/I	33-2200+	HP-1010 ¹
TSX	2.4L L4 F/I	33-2430 ♦+	HP-1010 ¹	RL	3.5L V6 F/I	33-2299+	HP-1010 ¹
TSX	3.5L V6 F/I	33-2403+	HP-1010 ¹	RSX	2.0L L4 F/I	E-2429 ♦+	HP-1010 ¹
ZDX	3.7L V6 F/I	33-2454+	HP-1010 ¹	RSX Type-S	2.0L L4 F/I	E-2429 ♦+	HP-1010 ¹
2012 ACURA				TL	3.2L V6 F/I	33-2299 ♦+	HP-1010 ¹
MDX	3.7L V6 F/I	33-2454+	HP-1010 ¹	TSX	2.4L L4 F/I	33-2276 ♦+	HP-1010 ¹
RDX	2.3L L4 F/I	33-2382+	HP-1010 ¹	2005 ACURA			
RL	3.7L V6 F/I	33-2425+	HP-1010 ¹	EL	1.7L L4 F/I		HP-1010 ¹
TL	3.5L V6 F/I	33-2403 ♦+	HP-1010 ¹	MDX	3.5L V6 F/I	33-2200+	HP-1010 ¹
TL	3.7L V6 F/I	33-2403+	HP-1010 ¹	NSX	3.2L V6 F/I	33-2713	
TSX	2.4L L4 F/I	33-2430 ♦+	HP-1010 ¹	RL	3.5L V6 F/I	33-2299+	HP-1010 ¹
TSX	3.5L V6 F/I	33-2403+	HP-1010 ¹	RSX	2.0L L4 F/I	E-2429 ♦+	HP-1010 ¹
ZDX	3.7L V6 F/I	33-2454+	HP-1010 ¹	RSX Type-S	2.0L L4 F/I	E-2429 ♦+	HP-1010 ¹
2011 ACURA				TL	3.2L V6 F/I	33-2299 ♦+	HP-1010 ¹
CSX	2.0L L4 F/I		HP-1010 ¹	TSX	2.4L L4 F/I	33-2276 ♦+	HP-1010 ¹
MDX	3.7L V6 F/I	33-2454+	HP-1010 ¹	2004 ACURA			
RDX	2.3L L4 F/I	33-2382 ♦+	HP-1010 ¹	EL	1.7L L4 F/I		HP-1010 ¹
RL	3.7L V6 F/I	33-2425+	HP-1010 ¹	MDX	3.5L V6 F/I	33-2200+	HP-1010 ¹
TL	3.5L V6 F/I	33-2403 ♦+	HP-1010 ¹	NSX	3.2L V6 F/I	33-2713	
TL	3.7L V6 F/I	33-2403+	HP-1010 ¹	RL	3.5L V6 F/I	33-2179	HP-1004 ¹
TSX	2.4L L4 F/I	33-2430 ♦+	HP-1010 ¹	RSX	2.0L L4 F/I	E-2429 ♦+	HP-1010 ¹
TSX	3.5L V6 F/I	33-2403+	HP-1010 ¹	RSX Type-S	2.0L L4 F/I	E-2429 ♦+	HP-1010 ¹
ZDX	3.7L V6 F/I	33-2454+	HP-1010 ¹	TL	3.2L V6 F/I	33-2299 ♦+	HP-1010 ¹
				TSX	2.4L L4 F/I	33-2276 ♦+	HP-1010 ¹

* 2 filters required ♦ Intake System Available - see page 81 +Cabin Air Filter Available - see page 453 1- Pro Series Filter Available

AIR & OIL FILTERS

ACURA

Vehicle	Engine Type	Air Filter	Oil Filter
2003 ACURA			
CL	3.2L V6 F/I	33-2133+	HP-1004 ¹
CL Type-S	3.2L V6 F/I	33-2178+	HP-1004 ¹
MDX	3.5L V6 F/I	33-2200+	HP-1010 ¹
NSX	3.2L V6 F/I	33-2713	
RL	3.5L V6 F/I	33-2179	HP-1004 ¹
RSX	2.0L L4 F/I	E-2429 ♦+	HP-1010 ¹
RSX Type-S	2.0L L4 F/I	E-2429 ♦+	HP-1010 ¹
TL	3.2L V6 F/I	33-2133+	HP-1004 ¹
TL Type-S	3.2L V6 F/I	33-2178+	HP-1004 ¹

Vehicle	Engine Type	Air Filter	Oil Filter
2002 ACURA			
CL	3.2L V6 F/I	33-2133+	HP-1004 ¹
CL Type-S	3.2L V6 F/I	33-2178+	HP-1004 ¹
EL	1.7L L4 F/I	33-2192 ♦+	HP-1004 ¹
MDX	3.5L V6 F/I	33-2200+	HP-1004 ¹
NSX	3.2L V6 F/I	33-2713	
RL	3.5L V6 F/I	33-2179	HP-1004 ¹
RSX	2.0L L4 F/I	E-2429 ♦+	HP-1010 ¹
RSX Type-S	2.0L L4 F/I	E-2429 ♦+	HP-1010 ¹
TL	3.2L V6 F/I	33-2133+	HP-1004 ¹
TL Type-S	3.2L V6 F/I	33-2178+	HP-1004 ¹

Vehicle	Engine Type	Air Filter	Oil Filter
2001 ACURA			
CL	3.2L V6 F/I	33-2133+	HP-1004 ¹
CL Type-S	3.2L V6 F/I	33-2178+	HP-1004 ¹
EL	1.7L L4 F/I	33-2192 ♦	HP-1004 ¹
Integra	1.8L L4 F/I	E-2427	HP-1004 ¹
Integra GS-R	1.8L L4 F/I	E-2427 ♦	HP-1004 ¹
Integra Type R	1.8L L4 F/I	E-2427	HP-1004 ¹
MDX	3.5L V6 F/I	33-2200+	HP-1004 ¹
NSX	3.2L V6 F/I	33-2713	
RL	3.5L V6 F/I	33-2179	HP-1004 ¹
TL	3.2L V6 F/I	33-2133+	HP-1004 ¹

Vehicle	Engine Type	Air Filter	Oil Filter
2000 ACURA			
EL	1.6L L4 F/I		HP-1004 ¹
Integra	1.8L L4 F/I	E-2427	HP-1004 ¹
Integra GS-R	1.8L L4 F/I	E-2427 ♦	HP-1004 ¹
Integra Type R	1.8L L4 F/I	E-2427	HP-1004 ¹
NSX	3.0L V6 F/I	33-2713	
NSX	3.2L V6 F/I	33-2713	
RL	3.5L V6 F/I	33-2179	HP-1004 ¹
TL	3.2L V6 F/I	33-2133+	HP-1004 ¹

Vehicle	Engine Type	Air Filter	Oil Filter
1999 ACURA			
CL	2.3L L4 F/I	33-2071	HP-1004 ¹
CL	3.0L V6 F/I	33-2100	HP-1004 ¹
EL	1.6L L4 F/I		HP-1004 ¹
Integra	1.8L L4 F/I	E-2427	HP-1004 ¹
Integra GS-R	1.8L L4 F/I	E-2427 ♦	HP-1004 ¹
Integra Type R	1.8L L4 F/I	E-2427	HP-1004 ¹
NSX	3.2L V6 F/I	33-2713	
RL	3.5L V6 F/I	33-2179	HP-1004 ¹
TL	3.2L V6 F/I	33-2133+	HP-1004 ¹

Vehicle	Engine Type	Air Filter	Oil Filter
1998 ACURA			
CL	2.3L L4 F/I	33-2071	HP-1004 ¹
CL	3.0L V6 F/I	33-2100	HP-1004 ¹
EL	1.6L L4 F/I		HP-1004 ¹
Integra	1.8L L4 F/I	E-2427	HP-1004 ¹
Integra GS-R	1.8L L4 F/I	E-2427 ♦	HP-1004 ¹
Integra Type R	1.8L L4 F/I	E-2427	HP-1004 ¹
NSX	3.2L V6 F/I	33-2713	
RL	3.5L V6 F/I	33-2179	HP-1004 ¹
SLX	3.5L V6 F/I	33-2064	
TL	2.5L L5 F/I	33-2267	HP-1004 ¹

Vehicle	Engine Type	Air Filter	Oil Filter
1998 ACURA			
TL	3.2L V6 F/I	33-2089	
1997 ACURA			
CL	2.2L L4 F/I	33-2071	HP-1004 ¹
CL	3.0L V6 F/I	33-2100	HP-1004 ¹
EL	1.6L L4 F/I		HP-1004 ¹
Integra	1.8L L4 F/I	E-2427	HP-1004 ¹
Integra GS-R	1.8L L4 F/I	E-2427 ♦	HP-1004 ¹
Integra Type R	1.8L L4 F/I	E-2427	HP-1004 ¹
RL	3.5L V6 F/I	33-2179	HP-1004 ¹
TL	2.5L L5 F/I	33-2267	HP-1004 ¹
TL	3.2L V6 F/I	33-2089	

Vehicle	Engine Type	Air Filter	Oil Filter
1996 ACURA			
Integra	1.8L L4 F/I	E-2427	HP-1004 ¹
Integra GS-R	1.8L L4 F/I	E-2427 ♦	HP-1004 ¹
NSX	3.0L V6 F/I	33-2713	
RL	3.5L V6 F/I	33-2179	HP-1004 ¹
TL	2.5L L5 F/I	33-2267	HP-1004 ¹
TL	3.2L V6 F/I	33-2089	

Vehicle	Engine Type	Air Filter	Oil Filter
1995 ACURA			
Integra	1.8L L4 F/I	E-2427 ♦	HP-1004 ¹
Integra GS-R	1.8L L4 F/I	E-2427 ♦	HP-1004 ¹
Legend	3.2L V6 F/I	33-2089	
NSX	3.0L V6 F/I	33-2713	

Vehicle	Engine Type	Air Filter	Oil Filter
1994 ACURA			
Integra	1.8L L4 F/I	E-2427 ♦	HP-1004 ¹
Integra GS-R	1.8L L4 F/I	E-2427 ♦	HP-1004 ¹
Legend	3.2L V6 F/I	33-2089	
NSX	3.0L V6 F/I	33-2713 ♦	

Vehicle	Engine Type	Air Filter	Oil Filter
1993 ACURA			
Integra	1.8L L4 F/I	33-2028 ♦	HP-1004 ¹
Integra GS-R	1.7L L4 F/I	33-2028 ♦	HP-1004 ¹
Legend	3.2L V6 F/I	33-2089	
NSX	3.0L V6 F/I	33-2713 ♦	
Vigor	2.5L L5 F/I		HP-1004 ¹

Vehicle	Engine Type	Air Filter	Oil Filter
1992 ACURA			
Integra	1.8L L4 F/I	33-2028 ♦	HP-1004 ¹
Integra GS-R	1.7L L4 F/I	33-2028 ♦	HP-1004 ¹
Legend	3.2L V6 F/I	33-2089	
NSX	3.0L V6 F/I	33-2713 ♦	
Vigor	2.5L L5 F/I		HP-1004 ¹

Vehicle	Engine Type	Air Filter	Oil Filter
1991 ACURA			
Integra	1.8L L4 F/I	33-2028 ♦	HP-1004 ¹
Legend	3.2L V6 F/I	33-2089	
NSX	3.0L V6 F/I	33-2713 ♦	

Vehicle	Engine Type	Air Filter	Oil Filter
1990 ACURA			
Integra	1.8L L4 F/I	33-2028 ♦	HP-1004 ¹
Legend	2.7L V6 F/I	E-0999	

Vehicle	Engine Type	Air Filter	Oil Filter
1989 ACURA			
Integra	1.6L L4 F/I	33-2021 ♦	HP-1004 ¹
Legend	2.7L V6 F/I	E-0999	

Vehicle	Engine Type	Air Filter	Oil Filter
1988 ACURA			
Legend	2.7L V6 F/I	E-0999	

Vehicle	Engine Type	Air Filter	Oil Filter
1987 ACURA			
Integra	1.6L L4 F/I	33-2021 ♦	

Vehicle	Engine Type	Air Filter	Oil Filter
2016 ALFA ROMEO			
4C	1.7L L4 F/I	E-2995	

Vehicle	Engine Type	Air Filter	Oil Filter
2015 ALFA ROMEO			
4C	1.7L L4 F/I	E-2995	

* 2 filters required ♦ Intake System Available - see page 81 +Cabin Air Filter Available - see page 453 1- Pro Series Filter Available

ALFA ROMEO

AIR & OIL FILTERS

Vehicle	Engine Type	Air Filter	Oil Filter
2015 ALFA ROMEO			
Giulietta	2.0L L4 DSL	E-2991	
2013 ALFA ROMEO			
Mito	1.4L L4 F/I - Turbo	33-2935 ♦	
2012 ALFA ROMEO			
Giulietta	1.4L L4 F/I	E-2991	
2011 ALFA ROMEO			
Giulietta	1.4L L4 F/I	E-2991	
2010 ALFA ROMEO			
159	1.8L L4 F/I	E-9281	
2009 ALFA ROMEO			
Mito	1.4L L4 F/I - Exc. Turbo	33-2842 ♦	
Mito	1.4L L4 F/I - Turbo	33-2935 ♦	
2008 ALFA ROMEO			
159	2.4L L5 DSL	E-9281	
GT	3.2L V6 F/I	E-9268	
2007 ALFA ROMEO			
147	1.9L L4 DSL	33-2228	
GT	1.8L L4 F/I - Square Airbox	33-2218 ♦	
2006 ALFA ROMEO			
159	1.9L L4 F/I	E-9281	PS-7000
2005 ALFA ROMEO			
GT	3.2L V6 F/I	E-9268	
2004 ALFA ROMEO			
GT	1.9L L4 DSL	33-2228	
2003 ALFA ROMEO			
GTV	2.0L L4 F/I	E-9228	
GTV	2.0L V6 F/I	E-9228	
1997 ALFA ROMEO			
GTV	2.0L L4 F/I	E-9228	
GTV	2.0L V6 F/I - w/Panel Filter	33-2748-1	
GTV	2.0L V6 F/I - w/Round Filter	E-9228	
1996 ALFA ROMEO			
145	1.4L F4 F/I	33-2096	
1991 ALFA ROMEO			
164	3.0L V6 F/I	33-2645	
Spider	2.0L L4 F/I	33-2546	HP-2004 ¹
1988 ALFA ROMEO			
Spider	2.0L L4 F/I	33-2546	HP-2004 ¹
1987 ALFA ROMEO			
Spider	2.0L L4 F/I	33-2546	HP-2004 ¹
1986 ALFA ROMEO			
Spider	2.0L L4 F/I	33-2546	HP-2004 ¹
1985 ALFA ROMEO			
Spider	2.0L L4 F/I	33-2546	
1984 ALFA ROMEO			
Spider	2.0L L4 F/I	33-2546	
1974 ALFA ROMEO			
Spider	2.0L L4 F/I		HP-2004 ¹
1971 ALFA ROMEO			
1750	1.75L L4 CARB	E-2040	

Vehicle	Engine Type	Air Filter	Oil Filter
1969 ALFA ROMEO			
1750	1.75L L4 CARB	E-2040	
2001 AM GENERAL			
Hummer	6.5L V8 DSL	E-1700	
2000 AM GENERAL			
Hummer	6.5L V8 DSL	E-1700	
1999 AM GENERAL			
Hummer	6.5L V8 DSL	E-1700	
1998 AM GENERAL			
Hummer	6.5L V8 DSL	E-1700	
1997 AM GENERAL			
Hummer	6.5L V8 DSL	E-1700	
1996 AM GENERAL			
Hummer	6.5L V8 DSL	E-1700	
1994 AM GENERAL			
Hummer	6.5L V8 DSL	E-1700	
1993 AM GENERAL			
Hummer	6.2L V8 DSL	E-1700	
1974 AMC			
Gremlin	304 V8 CARB		HP-2003 ¹
1970 AMC			
AMX	390 V8 CARB	E-1957	
1969 AMC			
AMX	390 V8 CARB	E-1957	
1968 AMC			
AMX	343 V8 CARB	E-1957	
AMX	390 V8 CARB	E-1957	
2015 APRILIA			
Tuono V4 1100RR	1077	AL-1010	
Tuono V4 R APRC	1000	AL-1010	
ABS			
Tuono V4 R APRC	1000 - Race Specific	AL-1010R	
ABS			
2014 APRILIA			
Shiver 750	750		KN-184
Tuono V4 R APRC	1000	AL-1010	
ABS			
Tuono V4 R APRC	1000 - Race Specific	AL-1010R	
ABS			
2013 APRILIA			
RSV 1000 R	998	AL-1004	KN-138
RSV 1000 R Factory	998	AL-1004	KN-138
RSV4 Factory APRC	1000	AL-1010	
ABS			
RSV4 Factory APRC	1000 - Race Specific	AL-1010R	
ABS			
RSV4 R APRC ABS	1000	AL-1010	
RSV4 R APRC ABS	1000 - Race Specific	AL-1010R	
Shiver 750	750		KN-184
Tuono V4 R	1000	AL-1010	KN-138
Tuono V4 R	1000 - Race Specific	AL-1010R	KN-138
Tuono V4 R APRC	1000	AL-1010	
Tuono V4 R APRC	1000 - Race Specific	AL-1010R	
2012 APRILIA			
RSV 1000 R	998	AL-1004	KN-138
RSV 1000 R Factory	998	AL-1004	KN-138
RSV4 Factory SE	1000	AL-1010	
RSV4 Factory SE	1000 - Race Specific	AL-1010R	

* 2 filters required ♦ Intake System Available - see page 81 +Cabin Air Filter Available - see page 453 1- Pro Series Filter Available

AIR & OIL FILTERS

APRILIA

Vehicle	Engine Type	Air Filter	Oil Filter
2012 APRILIA			
RSV4 R	1000	AL-1010	
RSV4 R	1000 - Race Specific	AL-1010R	
Shiver 750	750		KN-184
Tuono V4 R	1000	AL-1010	
Tuono V4 R	1000 - Race Specific	AL-1010R	
Tuono V4 R APRC	1000	AL-1010	
Tuono V4 R APRC	1000 - Race Specific	AL-1010R	
2011 APRILIA			
RSV4 R	1000	AL-1010	KN-138
RSV4 R	1000 - Race Specific	AL-1010R	KN-138
2010 APRILIA			
Mana 850 GT ABS	839	MG-0001	
RSV 1000 R Factory	998		KN-138
RSV4 Factory	1000	AL-1010	KN-138
RSV4 R	1000	AL-1010	
RSV4 R	1000 - Race Specific	AL-1010R	
Shiver 750	750		KN-184
2009 APRILIA			
Mana 850 GT ABS	839	MG-0001	
RSV 1000 R	998	AL-1004	
RSV 1000 R	998 - OEM AP0256187	AL-1004	KN-152
RSV 1000 R	998 - OEM AP0956745	AL-1004	KN-564
RSV 1000 R Factory	998	AL-1004	
RSV 1000 R Factory	998 - OEM AP0256187	AL-1004	KN-152
RSV 1000 R Factory	998 - OEM AP0956745	AL-1004	KN-564
SL750 Shiver ABS	750		KN-184
SXV 550	549	AL-4506	KN-563
Tuono 1000 R Factory	1000	AL-1004	KN-152
2008 APRILIA			
RSV 1000 R	998	AL-1004	
RSV 1000 R	998 - OEM AP0256187	AL-1004	KN-152
RSV 1000 R	998 - OEM AP0956745	AL-1004	KN-564
RSV 1000 R Factory	998	AL-1004	
RSV 1000 R Factory	998 - OEM AP0256187	AL-1004	KN-152
RSV 1000 R Factory	998 - OEM AP0956745	AL-1004	KN-564
RXV 550 Enduro	549	AL-4506	KN-563
SL750 Shiver ABS	750		KN-184
SXV 550	549	AL-4506	KN-563
Tuono 1000 R Factory	1000	AL-1004	
Tuono 1000 R Factory	1000 - OEM AP0256187	AL-1004	KN-152
Tuono 1000 R Factory	1000 - OEM AP0956745	AL-1004	KN-564
2007 APRILIA			
RSV 1000 R	998	AL-1004	
RSV 1000 R	998 - OEM AP0256187	AL-1004	KN-152
RSV 1000 R	998 - OEM AP0956745	AL-1004	KN-564
RSV 1000 R Factory	998	AL-1004	
RSV 1000 R Factory	998 - OEM AP0256187	AL-1004	KN-152
RSV 1000 R Factory	998 - OEM AP0956745	AL-1004	KN-564
RXV 450 Enduro	449	AL-4506	KN-563
SXV 450	449	AL-4506	KN-563
SXV 550	549	AL-4506	KN-563
Tuono 1000 R	998	AL-1004	
Tuono 1000 R	998 - OEM AP0256187	AL-1004	KN-152
Tuono 1000 R	998 - OEM AP0956745	AL-1004	KN-564
2006 APRILIA			
Tuono 1000 R	998	AL-1004	
Tuono 1000 R	998 - OEM AP0256187	AL-1004	KN-152
Tuono 1000 R	998 - OEM AP0956745	AL-1004	KN-564

Vehicle	Engine Type	Air Filter	Oil Filter
2004 APRILIA			
Atlantic 500	460		KN-184
RSV Mille R	998 - OEM AP0256187		KN-152
RSV Mille R	998 - OEM AP0956745		KN-564
RSV Mille R Nera	998 - OEM AP0256187		KN-152
RSV Mille R Nera	998 - OEM AP0956745		KN-564
RSV Tuono	998	AL-1001	
RSV Tuono	998 - OEM AP0256187	AL-1001	KN-152
RSV Tuono	998 - OEM AP0956745	AL-1001	KN-564
2003 APRILIA			
Atlantic 500	460		KN-184
ETV1000 Caponord	998	AL-1002	
ETV1000 Caponord	998 - OEM AP0256187	AL-1002	KN-152
ETV1000 Caponord	998 - OEM AP0956745	AL-1002	KN-564
RSV Mille	998	AL-1001	
RSV Mille R Haga	998 - OEM AP0256187		KN-152
RSV Mille R Haga	998 - OEM AP0956745		KN-564
Tuono Fighter	998	AL-1001	
Tuono Fighter	998 - OEM AP0256187	AL-1001	KN-152
Tuono Fighter	998 - OEM AP0956745	AL-1001	KN-564
2002 APRILIA			
RST1000 Futura	998	AL-1098	
RSV Mille	998	AL-1001	
RSV Mille	998 - OEM AP0256187	AL-1001	KN-152
RSV Mille	998 - OEM AP0956745	AL-1001	KN-564
RSV Mille R	998 - OEM AP0256187		KN-152
RSV Mille R	998 - OEM AP0956745		KN-564
SL1000 Falco	998	AL-1098	
2001 APRILIA			
Pegaso 650 i.e.	652	AL-6502	KN-151
RSV Mille	998	AL-1001	
RSV Mille	998 - OEM AP0256187	AL-1001	KN-152
RSV Mille	998 - OEM AP0956745	AL-1001	KN-564
RSV Mille R	998 - OEM AP0256187		KN-152
RSV Mille R	998 - OEM AP0956745		KN-564
RSV Mille SP	998	AL-1098	
RSV Mille SP	998 - OEM AP0256187	AL-1098	KN-152
RSV Mille SP	998 - OEM AP0956745	AL-1098	KN-564
Scarabeo 150	150		KN-185
SL1000 Falco	998	AL-1098	
SL1000 Falco	998 - OEM AP0256187	AL-1098	KN-152
SL1000 Falco	998 - OEM AP0956745	AL-1098	KN-564
2000 APRILIA			
RSV Mille	998	AL-1098	
RSV Mille	998 - OEM AP0256187	AL-1098	KN-152
RSV Mille	998 - OEM AP0956745	AL-1098	KN-564
RSV Mille R	998	AL-1001	
RSV Mille R	998 - OEM AP0256187	AL-1001	KN-152
RSV Mille R	998 - OEM AP0956745	AL-1001	KN-564
RSV Mille SP	998 - OEM AP0256187		KN-152
RSV Mille SP	998 - OEM AP0956745		KN-564
2015 ARCTIC CAT			
500	443		KN-621
1000 XT	951		KN-621
Prowler HDX 700 XT	695	AC-7009	KN-621
TRV700 LTD	695	AC-7009	
Wildcat 4X LTD	1000		KN-621
Wildcat 1000	1000		KN-621
Wildcat Sport	700	AC-7014	KN-621
Wildcat Sport LTD	700		KN-621
Wildcat Sport XT	700		KN-621
Wildcat Trail	700	AC-7014	KN-621
Wildcat Trail LTD	700		KN-621

* 2 filters required ♦ Intake System Available - see page 81 +Cabin Air Filter Available - see page 453 1- Pro Series Filter Available

Partial Listing - Complete List of Vehicles and Applications at knfilters.com

ARCTIC CAT

AIR & OIL FILTERS

Vehicle	Engine Type	Air Filter	Oil Filter
---------	-------------	------------	------------

2015 ARCTIC CAT

Wildcat Trail XT	700	AC-7014	KN-621
------------------	-----	---------	--------

2014 ARCTIC CAT

550	545	AC-7009	KN-621
550 LTD	545	AC-7009	KN-621
550 XT	545	AC-7009	KN-621
700	695	AC-7009	KN-621
700 XT	695	AC-7009	KN-621
700i LTD	695	AC-7009	KN-621
700i MudPro LTD	695	AC-7009	KN-621
1000 XT	951	AC-1009	KN-621
1000i MudPro LTD	951	AC-1009	
Prowler HDX 500 XT	443		KN-621
Prowler HDX 700 Limited	695		KN-621
Wildcat 4 1000	1000	AC-1012	KN-621
Wildcat 4 LTD	1000	AC-1012	
Wildcat 4X	1000	AC-1012	KN-621
Wildcat 4X LTD	1000	AC-1012	KN-621
Wildcat 1000	1000	AC-1012	KN-621
Wildcat 1000 LTD	1000	AC-1012	KN-621
Wildcat Trail	700	AC-7014	
Wildcat Trail XT	700	AC-7014	

2013 ARCTIC CAT

550 Core	545	AC-7009	KN-621
550 XT	545	AC-7009	KN-621
700 Core	695	AC-7009	KN-621
700 XT	695	AC-7009	KN-621
700i LTD	695	AC-7009	KN-621
700i MudPro LTD	695	AC-7009	
1000 XT	951	AC-1009	KN-621
Prowler HDX 700i	695	AC-7009	KN-621
Wildcat 4 1000	1000	AC-1012	KN-621
Wildcat 1000	1000	AC-1012	KN-621
Wildcat 1000 LTD	1000	AC-1012	KN-621
Wildcat X 1000	951	AC-1012	

2012 ARCTIC CAT

550i GT	550	AC-7009	KN-621
700i GT	700	AC-7009	KN-621
700i LTD	700	AC-7009	
700i MudPro LTD	695	AC-7009	KN-621
1000i GT	951	AC-1009	
Wildcat 1000	1000	AC-1012	
XTX700i Prowler 4X4 HDX	700	AC-7009	KN-621

2011 ARCTIC CAT

550 H1 EFI	545	AC-7009	KN-621
700 H1 EFI	695	AC-7009	KN-621
700 H1 EFI Mudpro	695	AC-7009	KN-621
Prowler HDX 700	695	AC-7009	KN-621

2010 ARCTIC CAT

550 4x4 Auto	545	AC-7009	KN-621
550 4x4 Auto LE	545	AC-7009	KN-621
550 H1 EFI	545	AC-7009	KN-621
700 H1 EFI	695	AC-7009	KN-621
700 H1 EFI Mudpro	695	AC-7009	KN-621
Prowler XTZ 1000 H2 EFI	951	AC-7009	KN-621

2009 ARCTIC CAT

366 4x4 Auto	366		KN-621
550 H1 EFI	545	AC-7009	KN-621
700 H1 EFI	695	AC-7009	KN-621
700 H1 EFI LE	695	AC-7009	KN-621

Vehicle	Engine Type	Air Filter	Oil Filter
---------	-------------	------------	------------

2009 ARCTIC CAT

700 H1 EFI Mudpro	695	AC-7009	KN-621
700 H1 EFI SE	695	AC-7009	KN-621
Prowler XTX 700 H1 EFI	700		KN-621
Prowler XTX 700 H1 EFI LE	700		KN-621
Prowler XTZ 1000 H2 EFI	951	AC-7009	KN-621
Thundercat	951	AC-1009	KN-621

2008 ARCTIC CAT

366 4x4 Auto	366		KN-621
400 4x4 Auto	400	AC-4004	KN-138
500 4x4	500	AC-4004	KN-138
500 4x4 Auto	500	AC-4004	KN-621
500 4x4 Auto M4	500	AC-4004	KN-621
500 4x4 Auto TRV	500	AC-4004	KN-621
650 H1 4x4 Auto	641	AC-7009	KN-621
650 H1 4x4 Auto TRV	641	AC-7009	KN-621
700 EFI 4x4 Auto	700		KN-621
700 EFI 4x4 Auto M4	700		KN-621
700 EFI 4x4 Auto TRV LE	700		KN-621
700 H1 EFI	695	AC-7009	KN-621
700 H1 EFI 4x4 Auto SE	695		KN-621
DVX400	400	SU-4002	KN-139
Prowler XT 650 4x4 Auto	650		KN-621
Prowler XT 650 4x4 Auto M4	650	AC-7009	KN-621
Thundercat	1000	AC-1009	KN-621

2007 ARCTIC CAT

250 2x4	249	KY-2504	
400 4x4	400	AC-4004	KN-138
400 4x4 Auto	400	AC-4004	KN-138
400 4x4 Auto LE	400	AC-4004	KN-138
400 4x4 Auto TRV Plus	400	AC-4004	KN-138
500 4x4	500	AC-4004	KN-138
500 4x4 Auto	500	AC-4004	KN-138
650 H1 4x4 Auto	641	AC-4004	KN-621
650 H1 4x4 Auto LE	641	AC-4004	KN-621
650 H1 4x4 Auto TBX	641	AC-4004	KN-621
650 H1 4x4 Auto TRV Plus	641	AC-4004	KN-621
700 EFI 4x4 Auto	700		KN-621
700 EFI 4x4 Auto LE	700		KN-621
DVX400	400	SU-4002	KN-139
DVX400 TS	400	SU-4002	KN-139

2006 ARCTIC CAT

250 2x4	249	KY-2504	
400 4x4	400	AC-4004	KN-138
400 4x4 Auto	400	AC-4004	KN-138
400 4x4 Auto LE	400	AC-4004	KN-138
400 4x4 Auto TBX	400	AC-4004	KN-138
400 4x4 Auto TRV	400	AC-4004	KN-138
400 4x4 Auto VP	400	AC-4096-1	KN-138
400 4x4 VP	400	AC-4096-1	KN-138
500 4x4	500		KN-138
500 4x4 Auto	500	AC-4004	KN-138
500 4x4 Auto LE	500	AC-4004	KN-138
500 4x4 Auto TBX	500	AC-4004	KN-138
500 4x4 Auto TRV	500	AC-4004	KN-138
650 H1 4x4 SE	650	AC-6504	KN-621

* 2 filters required ♦ Intake System Available - see page 81 +Cabin Air Filter Available - see page 453 1- Pro Series Filter Available

AIR & OIL FILTERS

ARCTIC CAT

Vehicle	Engine Type	Air Filter	Oil Filter
2006 ARCTIC CAT			
650 V2 4x4	650	AC-6504	KN-204
650 V2 4x4 LE TS	650	AC-6504	KN-204
DVX400	400	SU-4002	KN-139
DVX400 TS	400	SU-4002	KN-139
2005 ARCTIC CAT			
300 4x4	280	AC-3098	KN-132
400 4x4	400	AC-4096-1	KN-138
400 4x4 Auto	400	AC-4096-1	KN-138
400 4x4 Auto LE	400	AC-4096-1	KN-138
400 4x4 Auto TBX	400	AC-4096-1	KN-138
400 4x4 Auto VP	400	AC-4096-1	KN-138
400 4x4 VP	400	AC-4096-1	KN-138
500 4x4	500	AC-4004	KN-138
500 4x4 Auto	500	AC-4004	KN-138
500 4x4 Auto LE	500	AC-4004	KN-138
500 4x4 Auto TBX	500	AC-4004	KN-138
500 4x4 Auto TRV	500		KN-138
650 H1 4x4 Auto	641		KN-138
650 V2 4x4 Auto	650	AC-6504	KN-204
650 V2 4x4 Auto LE	650	AC-6504	KN-204
2004 ARCTIC CAT			
250 2x4	249	AC-3098	KN-132
300 4x4	280	AC-3098	KN-132
300 4x4 MRP	280	AC-3098	KN-132
400 4x4	400	AC-4096-1	KN-138
400 4x4 ACT	400	AC-4096-1	KN-138
400 4x4 Auto	400	AC-4096-1	KN-138
400 4x4 Auto ACT	400	AC-4096-1	KN-138
400 4x4 Auto TBX	400	AC-4096-1	KN-138
500 4x4	500		KN-138
500 4x4 Auto	500		KN-138
500 4x4 Auto MRP	500		KN-138
500 4x4 Auto TBX	500		KN-138
500 4x4 Auto TRV	500		KN-138
500 4x4 MRP	500		KN-138
650 4x4 Auto LE	650	AC-6504	KN-204
650 V2 4x4 Auto	650		KN-204
650 V2 4x4 Auto LE	650		KN-204
DVX400	400	SU-4002	KN-139
2003 ARCTIC CAT			
250 2x4	249	AC-3098	KN-132
300 4x4	280	AC-3098	KN-132
400 4x4	400	AC-4096-1	KN-138
400 4x4 ACT	400	AC-4096-1	KN-138
400 4x4 Auto	400	AC-4096-1	KN-138
400 4x4 Auto ACT	400	AC-4096-1	KN-138
400 4x4 Auto MRP	400	AC-4096-1	KN-138
500 4x4	500		KN-138
500 4x4 Auto	500		KN-138
500 4x4 Auto MRP	500		KN-138
500 4x4 Auto TBX	500		KN-138
500 4x4 MRP	500		KN-138
2002 ARCTIC CAT			
300 4x4	280	AC-3098	KN-132
375 2x4	376		KN-138
400 4x4	400	AC-4096-1	KN-138
500 4x4 Auto	500	AC-4096-1	KN-138
500 4x4 Auto TBX	500	AC-4096-1	KN-138
2001 ARCTIC CAT			
250 2x4	249	AC-3098	KN-132
300 4x4	280	AC-3098	KN-132
400 4x4	400	AC-4096-1	KN-138

Vehicle	Engine Type	Air Filter	Oil Filter
2001 ARCTIC CAT			
500 4x4 Auto	500	AC-4096-1	KN-138
2000 ARCTIC CAT			
300 4x4	280	AC-3098	KN-132
500 4x4 Auto	500	AC-4096-1	KN-138
1999 ARCTIC CAT			
250 2x4	249	AC-3098	KN-132
300 4x4	280	AC-3098	KN-132
500 4x4	487	AC-4096-1	KN-138
1998 ARCTIC CAT			
300 4x4	280	AC-3098	KN-132
500 4x4	487		KN-138
1996 ARCTIC CAT			
454 4x4	454	AC-4096-1	KN-138
1977 ASTON MARTIN			
V-8	326 V8 CARB		HP-3001 ¹
2016 AUDI			
A3	1.8L L4 F/I	33-3005	
A3	2.0L L4 DSL	33-3005	
A3	2.0L L4 F/I	33-3005	
A3 Quattro	2.0L L4 F/I	33-3005	
A6	2.0L L4 DSL	E-2987	
A6	2.0L L4 F/I	E-2987	
A6	3.0L V6 DSL	E-1983	
A6	3.0L V6 F/I	E-1983	
A6 Quattro	2.0L L4 F/I	E-2987	
A6 Quattro	3.0L V6 DSL	E-1983	
A6 Quattro	3.0L V6 F/I	E-1983	
A7 Quattro	3.0L V6 DSL	E-1983	
A7 Quattro	3.0L V6 F/I	E-1983	PS-7015
Q3	2.0L L4 DSL	33-2865	
Q3	2.0L L4 F/I	33-2865	
Q3 Quattro	2.0L L4 F/I	33-2865	
Q5	2.0L L4 DSL - Exc. 190BHP	33-2945	
Q5	2.0L L4 F/I	33-2945	
Q5	3.0L V6 DSL	E-1987	
Q5	3.0L V6 F/I		PS-7015
RS7	4.0L V8 F/I	E-0664	
S3	2.0L L4 F/I	33-3005	
S5	3.0L V6 F/I	E-1987	
S6	4.0L V8 F/I	E-1983	
S7	4.0L V8 F/I	E-1983	
SQ5	3.0L V6 DSL	E-1987	
SQ5	3.0L V6 F/I		PS-7015
TT Quattro	2.0L L4 F/I	33-3005	
2015 AUDI			
A1	1.4L L4 F/I	33-3004 ♦	
A3	1.2L L4 F/I	33-3004+	
A3	1.4L L4 F/I	33-3004+	
A3	1.6L L4 DSL	33-3005+	
A3	1.8L L4 F/I	33-3005+	
A3	2.0L L4 DSL	33-3005+	PS-7031
A3	2.0L L4 F/I	33-3005+	
A3 Quattro	2.0L L4 F/I	33-3005+	
A4	1.8L L4 F/I	33-2945	
A4	2.0L L4 DSL - Exc. 190BHP	33-2945	
A4	2.0L L4 F/I	33-2945 ♦	PS-3004
A4	3.0L V6 DSL	E-1987	
A4	3.0L V6 F/I	E-1987	
A4 Quattro	2.0L L4 F/I	33-2945	PS-3004

* 2 filters required ♦ Intake System Available - see page 81 +Cabin Air Filter Available - see page 453 1- Pro Series Filter Available

AUDI

AIR & OIL FILTERS

Vehicle	Engine Type	Air Filter	Oil Filter	Vehicle	Engine Type	Air Filter	Oil Filter
2015 AUDI				2014 AUDI			
A4 Quattro	3.0L V6 DSL	E-1987		A4	3.0L V6 F/I	E-1987	
A4 Quattro	3.0L V6 F/I	E-1987		A4 allroad	2.0L L4 F/I	33-2945+	
A5	2.0L L4 DSL - Exc. 190BHP	33-2945		A4 Quattro	2.0L L4 F/I	33-2945+	PS-3004
A5	2.0L L4 F/I	33-2945 ♦	PS-3004	A4 Quattro	3.0L V6 DSL	E-1987	
A5 Quattro	2.0L L4 F/I	33-2945		A4 Quattro	3.0L V6 F/I	E-1987	
A5 Quattro	3.0L V6 DSL	E-1987		A5	2.0L L4 DSL	33-2945	
A5 Quattro	3.0L V6 F/I	E-1987		A5	2.0L L4 F/I	33-2945 ♦+	PS-3004
A6	2.0L L4 DSL	E-2987		A5 Quattro	2.0L L4 DSL	33-2945	
A6	2.0L L4 F/I	E-2987 ♦		A5 Quattro	2.0L L4 F/I	33-2945+	PS-3004
A6	3.0L V6 DSL	E-1983		A5 Quattro	3.0L V6 DSL	E-1987	
A6	3.0L V6 F/I	E-1983	PS-7015	A5 Quattro	3.0L V6 F/I	E-1987	
A6 Quattro	2.0L L4 F/I	E-2987		A6	2.0L L4 DSL	E-2987	
A6 Quattro	3.0L V6 DSL	E-1983		A6	2.0L L4 F/I	E-2987 ♦	PS-3004
A6 Quattro	3.0L V6 F/I	E-1983	PS-7015	A6	3.0L V6 DSL	E-1983	
A7	3.0L V6 DSL	E-1983		A6	3.0L V6 F/I	E-1983	PS-7015
A7	3.0L V6 F/I	E-1983	PS-7015	A6 Quattro	2.0L L4 F/I		PS-3004
A7 Quattro	3.0L V6 DSL	E-1983		A6 Quattro	3.0L V6 F/I		PS-7015
A7 Quattro	3.0L V6 F/I	E-1983	PS-7015	A7	3.0L V6 DSL	E-1983	
A8 Quattro	3.0L V6 DSL	E-2999		A7	3.0L V6 F/I	E-1983	
A8 Quattro	3.0L V6 F/I	E-2999		A7 Quattro	3.0L V6 DSL	E-1983	
A8 Quattro	4.0L V8 F/I	E-2999		A7 Quattro	3.0L V6 F/I	E-1983	PS-7015
A8 Quattro	4.2L V8 DSL	E-2999*		A8 Quattro	3.0L V6 DSL	E-2999	
allroad	2.0L L4 F/I	33-2945		A8 Quattro	3.0L V6 F/I	E-2999	PS-7015
Q3	1.4L L4 F/I	33-3004+		A8 Quattro	4.0L V8 F/I	E-2999	
Q3	2.0L L4 DSL	33-2865+		A6 Quattro RS6	2.8L V6 F/I	E-1983	
Q3	2.0L L4 F/I	33-2865+	PS-3004	A6 Quattro RS6	3.0L V6 DSL	E-1983	
Q3 Quattro	2.0L L4 F/I	33-2865+	PS-3004	Q3	2.0L L4 DSL	33-2865+	
Q5	2.0L L4 DSL - Exc. 190BHP	33-2945		Q3	2.0L L4 F/I	33-2865+	
Q5	2.0L L4 F/I		PS-3004	Q3	2.5L L5 F/I	33-2384+	
Q5	3.0L V6 DSL	E-1987		Q5	2.0L L4 DSL - Exc. 190BHP	33-2945	
Q5	3.0L V6 F/I		PS-7015	Q5	2.0L L4 F/I	33-2945+	PS-3004
Q7	3.0L V6 F/I		PS-7015	Q5	3.0L V6 DSL	E-1987	
R8	4.2L V8 F/I - w/Manual Trans.	E-0668		Q5	3.0L V6 F/I	E-1987+	PS-7015
R8	5.2L V10 F/I - w/Auto Trans.	E-0658*		Q7	3.0L V6 DSL	33-2857	
R8	5.2L V10 F/I - w/Manual Trans.	E-0669		Q7	3.0L V6 F/I	33-2857	PS-7015
RS5	4.2L V8 F/I - Left Side Airbox	33-3031		Q7	4.2L V8 DSL	33-2857*	
RS5	4.2L V8 F/I - Right Side Airbox	33-3032		R8	4.2L V8 F/I - w/Manual Trans.	E-0668	
RS6	4.0L V8 F/I	E-0664		R8	5.2L V10 F/I - w/Auto Trans.	E-0658*	
RS7	4.0L V8 F/I	E-0664		R8	5.2L V10 F/I - w/Manual Trans.	E-0669	
S3	2.0L L4 F/I	33-3005		RS5	4.2L V8 F/I - Left Side Airbox	33-3031+	
S4	3.0L V6 F/I	E-1987	PS-7015	RS5	4.2L V8 F/I - Right Side Airbox	33-3032+	
S5	3.0L V6 F/I	E-1987	PS-7015	RS6	4.0L V8 F/I	E-0664	
S6	4.0L V8 F/I	E-1983		RS7	4.0L V8 F/I	E-0664	
S7	4.0L V8 F/I	E-1983		S3	2.0L V4 F/I	33-3005+	
SQ5	3.0L V6 F/I		PS-7015	S4	3.0L V6 F/I	E-1987+	PS-7015
TT	2.0L L4 DSL	33-3005+		S5	3.0L V6 F/I	E-1987+	PS-7015
TT	2.0L L4 F/I	33-3005+		S6	4.0L V8 F/I	E-1983	
TT Quattro	2.0L L4 F/I	33-3005+		SQ5	3.0L V6 F/I		PS-7015
TT RS	2.5L L5 F/I		PS-7010	TT	2.0L L4 DSL	33-2865	
TTS	2.0L L4 F/I		PS-7010	TT	2.0L L4 F/I	33-2865	
2014 AUDI				2013 AUDI			
A1	1.4L L4 F/I	E-2997 ♦		A1	1.4L L4 F/I	E-2997 ♦	
A3	1.4L L4 F/I	33-3004+		A1	1.6L L4 DSL	E-2997 ♦	
A3	1.8L L4 F/I	33-3005+		A3	1.4L L4 F/I	33-3004+	
A3	2.0L L4 DSL	33-3005+	PS-7031	A3	2.0L L4 DSL		PS-7031
A4	1.8L L4 F/I	33-2945		A3	2.0L L4 DSL - Non-US	33-3005 ♦+	PS-7031
A4	2.0L L4 DSL	33-2945		A3	2.0L L4 DSL - US	33-2865 ♦+	PS-7031
A4	2.0L L4 F/I	33-2945 ♦+	PS-3004				
A4	3.0L V6 DSL	E-1987					

* 2 filters required ♦ Intake System Available - see page 81 +Cabin Air Filter Available - see page 453 1- Pro Series Filter Available

AIR & OIL FILTERS

AUDI

Vehicle	Engine Type	Air Filter	Oil Filter	Vehicle	Engine Type	Air Filter	Oil Filter
2013 AUDI				2012 AUDI			
A3	2.0L L4 F/I		PS-3004	A4 Quattro	2.0L L4 F/I	33-2945+	PS-3004
A3	2.0L L4 F/I - Non-US	33-3005 ♦♦	PS-3004	A4 Quattro	3.0L V6 DSL	E-1987	
A3	2.0L L4 F/I - US	33-2865 ♦♦	PS-3004	A4 Quattro	3.0L V6 F/I	E-1987	
		33-2865 ♦♦	PS-3004	A5	2.0L L4 DSL	33-2945	
A3 Quattro	2.0L L4 F/I		PS-3004	A5	2.0L L4 F/I	33-2945+	PS-3004
A3 Quattro	2.0L L4 F/I - US	33-2865+	PS-3004	A5 Quattro	2.0L L4 F/I	33-2945+	PS-3004
A4	1.8L L4 F/I	33-2945		A5 Quattro	3.0L V6 DSL	E-1987	
A4	2.0L L4 DSL	33-2945		A5 Quattro	3.0L V6 F/I	E-1987	
A4	2.0L L4 F/I	33-2945 ♦♦	PS-3004	A6	2.0L L4 DSL	E-2987	
A4	3.0L V6 DSL	E-1987		A6	2.0L L4 F/I	E-2987	
A4 allroad	2.0L L4 F/I	33-2945+		A6	3.0L V6 DSL	E-1983	
A4 Quattro	2.0L L4 F/I	33-2945+	PS-3004	A6	3.0L V6 F/I	E-1983	PS-7015
A4 Quattro	3.0L V6 DSL	E-1987		A6 Quattro	3.0L V6 DSL	E-1983	
A4 Quattro	3.0L V6 F/I	E-1987		A6 Quattro	3.0L V6 F/I	E-1983	PS-7015
A5	2.0L L4 DSL	33-2945		A7	3.0L V6 DSL	E-1983	
A5	2.0L L4 F/I	33-2945+	PS-3004	A7 Quattro	3.0L V6 DSL	E-1983	
A5 Quattro	2.0L L4 DSL	33-2945		A7 Quattro	3.0L V6 F/I	E-1983	PS-7015
A5 Quattro	2.0L L4 F/I	33-2945+	PS-3004	A8 Quattro	4.2L V8 DSL	E-2999*	
A6	2.0L L4 DSL	E-2987		A8 Quattro	4.2L V8 F/I	E-1996*	
A6	2.0L L4 F/I	E-2987		Q5	2.0L L4 DSL	33-2945	
A6	3.0L V6 DSL	E-1983		Q5	2.0L L4 F/I	33-2945+	PS-3004
A6	3.0L V6 F/I	E-1983	PS-7015	Q5	3.0L V6 DSL	E-1987	
A6 Quattro	2.0L L4 F/I	E-2987	PS-3004	Q5	3.0L V6 F/I	E-1987	
A6 Quattro	3.0L V6 DSL	E-1983		Q5	3.2L V6 F/I	E-1987+	PS-7015
A6 Quattro	3.0L V6 F/I	E-1983	PS-7015	Q7	3.0L V6 DSL	33-2857	
A7	3.0L V6 DSL	E-1983		Q7	3.0L V6 F/I	33-2857	PS-7015
A7 Quattro	3.0L V6 DSL	E-1983		Q7	4.1L V8 DSL	33-2857*	
A7 Quattro	3.0L V6 F/I	E-1983	PS-7015	R8	4.2L V8 F/I	E-0668	
A8 Quattro	3.0L V6 DSL	E-2999		R8	5.2L V10 F/I	E-0669	
A8 Quattro	3.0L V6 F/I	E-2999		RS3	2.5L L5 F/I	33-2384+	
A8 Quattro	4.0L V8 F/I	E-2999		S4	3.0L V6 F/I	E-1987+	PS-7015
A8 Quattro	4.2L V8 F/I	E-1996*		S5	3.0L V6 F/I	E-1987+	PS-7015
allroad	2.0L L4 F/I	33-2945+	PS-3004	S5	4.2L V8 F/I	E-1987+	
Q5	2.0L L4 DSL	33-2945		TT Quattro	2.0L L4 F/I	33-2865+	
Q5	2.0L L4 F/I	33-2945+	PS-3004	TT RS	2.5L L5 F/I	33-2384	PS-7010
Q5	3.0L V6 DSL	E-1987		TTS	2.0L L4 F/I	33-2384	PS-7010
Q5	3.0L V6 F/I	E-1987+	PS-7015	2011 AUDI			
Q5	3.2L V6 F/I	E-1987		A3	2.0L L4 DSL	33-2865 ♦♦	PS-7031
Q7	3.0L V6 DSL	33-2857		A3	2.0L L4 F/I	33-2865 ♦♦	PS-3004
Q7	3.0L V6 F/I	33-2857	PS-7015	A3 Quattro	2.0L L4 F/I	33-2865+	PS-3004
R8	4.2L V8 F/I	E-0668		A4	1.8L L4 F/I	33-2945	
R8	5.2L V10 F/I	E-0669		A4	2.0L L4 DSL	33-2945	
RS5	4.2L V8 F/I - Left Side	33-3031+		A4	2.0L L4 F/I	33-2945 ♦♦	PS-3004
RS5	4.2L V8 F/I - Right Side	33-3032+		A4 Quattro	2.0L L4 F/I	33-2945+	PS-3004
	Airbox			A5	2.0L L4 DSL	33-2945	
RS7	4.0L V8 F/I	E-0664		A5	2.0L L4 F/I	33-2945+	PS-3004
S4	3.0L V6 F/I	E-1987+	PS-7015	A5 Quattro	2.0L L4 F/I	33-2945+	PS-3004
S5	3.0L V6 F/I	E-1987+	PS-7015	A5 Quattro	3.2L V6 F/I	E-1987	
S6	4.0L V8 F/I	E-1983		A6	3.0L V6 DSL - from 9/11	E-1983	
S7	4.0L V8 F/I	E-1983		A6 Quattro	3.0L V6 DSL - from 9/11	E-1983	
TT	2.0L L4 F/I	33-2865 ♦		A6 Quattro	3.0L V6 F/I		PS-7015
TT Quattro	2.0L L4 F/I		PS-7010	A6 Quattro	3.0L V6 F/I - from 9/11	E-1983	PS-7015
TT Quattro	2.0L L4 F/I - Non-US	33-2865+	PS-7010	A8 Quattro	4.2L V8 DSL	E-2999*	
TT RS	2.5L L5 F/I	33-2384	PS-7010	A8 Quattro	4.2L V8 F/I	E-1996*	
TTS	2.0L L4 F/I	33-2384	PS-7010	Q5	2.0L L4 DSL	33-2945	
2012 AUDI				Q5	2.0L L4 F/I	33-2945+	PS-3004
A1	1.4L L4 F/I	E-2997 ♦		Q5	3.2L V6 F/I	E-1987+	PS-7015
A3	2.0L L4 DSL	33-2865 ♦♦	PS-7031	Q7	3.0L V6 DSL	33-2857	
A3	2.0L L4 F/I	33-2865 ♦♦	PS-3004	Q7	3.0L V6 F/I	33-2857	PS-7015
		33-2865 ♦♦	PS-3004	R8	4.2L V8 F/I	E-0668	
A3 Quattro	2.0L L4 F/I	33-2865+	PS-3004	R8	5.2L V10 F/I	E-0669	
A4	2.0L L4 DSL	33-2945		S4	3.0L V6 F/I	E-1987+	PS-7015
A4	2.0L L4 F/I	33-2945 ♦♦	PS-3004				

* 2 filters required ♦ Intake System Available - see page 81 +Cabin Air Filter Available - see page 453 1- Pro Series Filter Available

AUDI

AIR & OIL FILTERS

Vehicle	Engine Type	Air Filter	Oil Filter	Vehicle	Engine Type	Air Filter	Oil Filter
2011 AUDI				2009 AUDI			
S5	3.0L V6 F/I	E-1987+	PS-7015	A8 Quattro	4.2L V8 DSL	E-0775*	
S5	4.2L V8 F/I	E-1987+		A8 Quattro	4.2L V8 F/I	E-0775	
S6	5.2L V10 F/I	E-2996*		Q5	3.0L V6 DSL	E-1987	
TT Quattro	2.0L L4 F/I	33-2865+		Q5	3.2L V6 F/I	E-1987+	PS-7015
		33-2865♦+		Q7	3.0L V6 DSL	33-2857	
TTS	2.0L L4 F/I	33-2384	PS-3004	Q7	3.6L V6 F/I	33-2857	PS-7005
				Q7	4.2L V8 DSL	33-2857*	
2010 AUDI							
A3	2.0L L4 DSL	33-2865♦+	PS-7031	Q7	4.2L V8 F/I	33-2857*	
A3	2.0L L4 F/I	33-2865♦+		R8	4.2L V8 F/I	E-0668	
		33-2865♦+		R8	5.2L V10 F/I	E-0669	
A3	2.0L L4 F/I - Turbo	33-2865	PS-3004	S4	3.0L V6 F/I	E-1987	
A3 Quattro	2.0L L4 F/I	33-2865+	PS-3004	S5	4.2L V8 F/I	E-1987+	
A4	2.0L L4 DSL	33-2945		S6	5.2L V10 F/I	E-2996*	
A4	2.0L L4 F/I	33-2945♦+	PS-3004	S8	5.2L V10 F/I	E-1992*	
A4 Cabriolet	2.0L L4 F/I	33-2209♦+	PS-3004	TT	2.0L L4 DSL	33-2865♦	
A4 Quattro	2.0L L4 F/I	33-2945♦+	PS-3004	TT	2.0L L4 F/I	33-2888+	PS-3004
A4 Quattro Cabriolet	2.0L L4 F/I	33-2945♦+	PS-3004	TT Quattro	2.0L L4 F/I	33-2865+	
A5	2.0L L4 DSL	33-2945		TT Quattro	3.2L V6 F/I	33-2384+	PS-7031
A5	2.0L L4 F/I		PS-3004	TTS	2.0L L4 F/I		PS-3004
A5	2.0L L4 F/I - Non-US	33-2945+	PS-3004	2008 AUDI			
A5 Quattro	2.0L L4 F/I		PS-3004	A3	2.0L L4 DSL	33-2865♦+	
A5 Quattro	3.2L V6 F/I	E-1987+	PS-7015	A3	2.0L L4 F/I - Non-US, Exc. Turbo	E-2014♦+	
A6 Quattro	3.0L V6 F/I		PS-7015	A3	2.0L L4 F/I - Non-US, Turbo	33-2888♦+	
A8 Quattro	4.2L V8 DSL - 351BHP	E-2999*		A3	2.0L L4 F/I - Turbo		PS-3004
A8 Quattro	4.2L V8 F/I - 371BHP	E-1996*		A3	2.0L L4 F/I - US	33-2888♦+	
Q5	2.0L L4 DSL	33-2945		A3	2.0L L4 F/I - US, Turbo		PS-3004
Q5	2.0L L4 F/I	33-2945		A3 Quattro	2.0L L4 F/I - Exc. Turbo	E-2014♦	
Q5	3.2L V6 F/I	E-1987+	PS-7015	A3 Quattro	2.0L L4 F/I - Turbo	33-2888♦	PS-3004
Q7	3.0L V6 DSL	33-2857		A3 Quattro	3.2L V6 F/I	33-2384*♦+	PS-7031
Q7	3.0L V6 F/I	33-2857		A4	1.8L L4 F/I	33-2945	
Q7	3.6L V6 F/I	33-2857	PS-7005	A4	2.0L L4 DSL	33-2945	
R8	4.2L V8 F/I	E-0668		A4	2.0L L4 F/I		PS-7010
R8	5.2L V10 F/I	E-0669		A4	2.0L L4 F/I - US	33-2209	PS-7010
S4	3.0L V6 F/I	E-1987+	PS-7015	A4	3.2L V6 F/I	33-2209	
S5	3.0L V6 F/I	E-1987+	PS-7015	A4 Quattro	2.0L L4 F/I		PS-7010
S5	4.2L V8 F/I	E-1987+		A4 Quattro	2.0L L4 F/I - US	33-2209	PS-7010
S6	5.2L V10 F/I	E-2996*		A4 Quattro	3.2L V6 F/I		PS-7015
TT	2.0L L4 DSL	33-2865♦		A4 Quattro	3.2L V6 F/I - Non-US	E-1987	PS-7015
TT	2.0L L4 F/I	33-2865	PS-3004	A4 Quattro	3.2L V6 F/I - US	33-2209	PS-7015
TT Quattro	2.0L L4 F/I	33-2865+		A5	2.7L V6 DSL	E-1987	
TT RS	2.5L L5 F/I	33-2384		A5 Quattro	3.2L V6 F/I		PS-7015
TTS	2.0L L4 F/I	33-2384	PS-3004	A5 Quattro	3.2L V6 F/I - Non-US	E-1987+	PS-7015
2009 AUDI				A6	3.2L V6 F/I		PS-7015
A3	2.0L L4 DSL	33-2865♦+		A6 Quattro	3.2L V6 F/I		PS-7015
A3	2.0L L4 F/I	33-2865♦+		A8 Quattro	4.2L V8 DSL	E-0775*	
		33-2865♦+		A8 Quattro	4.2L V8 F/I	E-0775	
A3	2.0L L4 F/I - Turbo	33-2865	PS-3004	A8 Quattro	6.0L W12 F/I - Non-US	E-1992*	
A3 Quattro	2.0L L4 F/I	33-2865+	PS-3004	Q7	3.6L V6 F/I	33-2857	PS-7005
A3 Quattro	3.2L V6 F/I	33-2384♦+		Q7	4.2L V8 DSL	33-2857*	
A4	1.8L L4 F/I	33-2945		Q7	4.2L V8 F/I	33-2857	
A4	2.0L L4 DSL	33-2945		R8	4.2L V8 F/I	E-0668	
A4	2.0L L4 F/I	33-2945♦+	PS-3004	RS4	4.2L V8 F/I	33-2209	
A4 Cabriolet	2.0L L4 F/I	33-2209♦	PS-3004	S4	4.2L V8 F/I	33-2209	
A4 Quattro	2.0L L4 F/I	33-2945♦+	PS-3004	S5	4.2L V8 F/I	E-1987+	
A4 Quattro	3.2L V6 F/I	E-1987+	PS-7015	S6	5.2L V10 F/I	E-2996*	
A4 Quattro Cabriolet	2.0L L4 F/I	33-2209♦	PS-3004	S8	5.2L V10 F/I - Non-US	E-1992*	
A4 Quattro Cabriolet	3.2L V6 F/I	33-2209+	PS-7015	S8	5.2L V10 F/I - US	E-0775*	
A5	3.2L V6 F/I		PS-7015	TT	2.0L L4 DSL	33-2865♦	
A5 Quattro	3.2L V6 F/I	E-1987+	PS-7015	TT	2.0L L4 F/I	33-2888+	PS-3004
A6	2.0L L4 DSL	E-9282				33-2888♦+	PS-3004
A6	2.0L L4 F/I	E-9282		TT Quattro	3.2L V6 F/I		PS-7031
A6 Quattro	3.0L V6 F/I		PS-7015	TT Quattro	3.2L V6 F/I - Non-US	33-2384	PS-7031
A6 Quattro	3.2L V6 F/I		PS-7015				

* 2 filters required ♦ Intake System Available - see page 81 +Cabin Air Filter Available - see page 453 1- Pro Series Filter Available

AIR & OIL FILTERS

AUDI

Vehicle	Engine Type	Air Filter	Oil Filter
2008 AUDI			
TT Quattro	3.2L V6 F/I - US	33-2384	PS-7031
2007 AUDI			
A3	2.0L L4 DSL	33-2865 ♦♦	
A3	2.0L L4 F/I		PS-7010
A3	2.0L L4 F/I - Exc. Turbo	E-2014 ♦♦	PS-7010
A3	2.0L L4 F/I - Turbo	33-2888 ♦♦	PS-7010
		33-2888 ♦♦	PS-7010
A3 Quattro	2.0L L4 F/I		PS-7010
A3 Quattro	2.0L L4 F/I - Exc. Turbo	E-2014 ♦	PS-7010
A3 Quattro	2.0L L4 F/I - Turbo	33-2888 ♦	PS-7010
A3 Quattro	3.2L V6 F/I		PS-7031
A3 Quattro	3.2L V6 F/I - US	33-2384 ♦♦	PS-7031
A4	1.8L L4 F/I - 163BHP	33-2209	
A4	1.8L L4 F/I - Exc., 163BHP	33-2945	
A4	2.0L L4 DSL	33-2209	
A4	2.0L L4 F/I	33-2209	PS-7010
A4	3.2L V6 F/I	33-2209	PS-7015
A4 Quattro	2.0L L4 F/I	33-2209	PS-7010
A4 Quattro	3.2L V6 F/I	33-2209	PS-7015
A6	3.2L V6 F/I		PS-7015
A6 Quattro	3.2L V6 F/I		PS-7015
A8 Quattro	4.2L V8 DSL	E-0775*	
A8 Quattro	4.2L V8 F/I	E-0775	
Q7	3.6L V6 F/I	33-2857	PS-7005
Q7	4.2L V8 DSL	33-2857*	
Q7	4.2L V8 F/I	33-2857*	
RS4	4.2L V8 F/I	33-2209	
S4	4.2L V8 F/I	33-2209	
S6	5.2L V10 F/I	E-2996*	
S8	5.2L V10 F/I	E-1992*	
TT	2.0L L4 F/I	33-2888 ♦	PS-7010
TT Quattro	3.2L V6 F/I - Non-US	33-2384	
TT Quattro	3.2L V6 F/I - US	33-2857	

2006 AUDI			
A3	2.0L L4 DSL	33-2865 ♦♦	
A3	2.0L L4 F/I		PS-7010
A3	2.0L L4 F/I - Exc. Turbo	E-2014 ♦♦	PS-7010
A3	2.0L L4 F/I - Turbo	33-2888 ♦♦	PS-7010
		33-2888 ♦♦	PS-7010
A3 Quattro	2.0L L4 F/I		PS-7010
A3 Quattro	2.0L L4 F/I - Exc. Turbo	E-2014 ♦	PS-7010
A3 Quattro	2.0L L4 F/I - Turbo	33-2888 ♦	PS-7010
A3 Quattro	3.2L V6 F/I		PS-7031
A3 Quattro	3.2L V6 F/I - US	33-2384 ♦♦	PS-7031
A4	1.8L L4 F/I	33-2209	HP-3001 ¹
A4	2.0L L4 DSL	33-2209	
A4	2.0L L4 F/I	33-2209	PS-7010
A4	3.2L V6 F/I	33-2209	PS-7015
A4 Quattro	2.0L L4 F/I	33-2209	PS-7010
A4 Quattro	3.0L V6 F/I	33-2209	
A4 Quattro	3.2L V6 F/I	33-2209	PS-7015
A6	2.0L L4 DSL	E-9282	
A6	2.0L L4 F/I	E-9282	PS-7010
A6	3.2L V6 F/I		PS-7015
A6 Quattro	3.2L V6 F/I		PS-7015
A8 Quattro	4.2L V8 DSL	E-0775*	
A8 Quattro	4.2L V8 F/I	E-0775	
A8 Quattro	6.0L W12 F/I - Non-US	E-1992*	
RS4	4.2L V8 F/I	33-2209	
S4	4.2L V8 F/I	33-2209	
TT	1.8L L4 F/I	33-2128 ♦♦	HP-2005 ¹
		33-2128 ♦	HP-2005 ¹

Vehicle	Engine Type	Air Filter	Oil Filter
2006 AUDI			
TT Quattro	1.8L L4 F/I	33-2128 ♦♦	HP-2005 ¹
		33-2128 ♦	HP-2005 ¹
TT Quattro	3.2L V6 F/I - Non-US, BHE Eng.	33-2128	
TT Quattro	3.2L V6 F/I - Non-US, BUB Eng.	33-2384	
TT Quattro	3.2L V6 F/I - US	33-2857+	
2005 AUDI			
A3	2.0L L4 DSL	33-2865 ♦♦	
A3	2.0L L4 F/I		PS-7010
A3	2.0L L4 F/I - Exc. Turbo	E-2014 ♦♦	PS-7010
A3	2.0L L4 F/I - Turbo	33-2888 ♦+	PS-7010
A3 Quattro	2.0L L4 F/I		PS-7010
A3 Quattro	2.0L L4 F/I - Exc. Turbo	E-2014 ♦♦	PS-7010
A3 Quattro	2.0L L4 F/I - Turbo	33-2888 ♦+	PS-7010
A4	1.8L L4 F/I	33-2209	HP-3001 ¹
A4	2.0L L4 DSL	33-2209	
A4	2.0L L4 F/I	33-2209	PS-7010
A4	3.0L V6 DSL	33-2209	
A4	3.0L V6 F/I	33-2209	
A4 Quattro	1.8L L4 F/I	33-2209	HP-3001 ¹
A4 Quattro	2.0L L4 F/I	33-2209	PS-7010
A4 Quattro	3.0L V6 F/I	33-2209	
A4 Quattro	3.2L V6 F/I	33-2209	PS-7015
A6 Quattro	3.2L V6 F/I		PS-7015
A8 Quattro	4.2L V8 DSL	E-0775*	
A8 Quattro	4.2L V8 F/I	E-0775	
A8 Quattro	6.0L W12 F/I - Non-US	E-1992*	
Allroad Quattro	2.7L V6 F/I	33-2125	
S4	4.2L V8 F/I	33-2209	
TT	1.8L L4 F/I	33-2128 ♦♦	HP-2005 ¹
		33-2128 ♦	HP-2005 ¹
TT Quattro	1.8L L4 F/I	33-2128 ♦♦	HP-2005 ¹
		33-2128 ♦	HP-2005 ¹
TT Quattro	3.2L V6 F/I		PS-7031
TT Quattro	3.2L V6 F/I - Non-US	33-2128	PS-7031
TT Quattro	3.2L V6 F/I - US	33-2857+	PS-7031

2004 AUDI			
A4	1.8L L4 F/I	33-2209 ♦	HP-3001 ¹
A4	2.0L L4 DSL	33-2209	
A4	2.0L L4 F/I	33-2209	
A4	2.0L L4 F/I - Turbo	33-2209	PS-7010
A4	3.0L V6 DSL	33-2209	
A4	3.0L V6 F/I	33-2209	
A4 Quattro	1.8L L4 F/I	33-2209	HP-3001 ¹
A4 Quattro	3.0L V6 F/I	33-2209	
A6	2.7L V6 F/I	33-2125	
A6 Quattro	2.7L V6 F/I	33-2125	
A6 Quattro	3.0L V6 F/I	33-2125	
A6 Quattro	4.2L V8 F/I - Non-US	33-2125	
A6 Quattro	4.2L V8 F/I - US	33-2125	
A8	4.2L V8 F/I	E-0775	
A8 Quattro	4.2L V8 F/I	E-0775	
A8 Quattro	6.0L W12 F/I	E-1992*	
A6 Quattro RS6	4.2L V8 F/I	33-2866*	
Allroad Quattro	2.7L V6 F/I	33-2125	
Allroad Quattro	4.2L V8 F/I	33-2125	
Cabriolet	3.0L V6 F/I	33-2209	
S4	4.2L V8 F/I	33-2209	
TT	1.8L L4 F/I	33-2128 ♦	HP-2005 ¹
		33-2128 ♦♦	HP-2005 ¹
TT Quattro	1.8L L4 F/I	33-2128 ♦	HP-2005 ¹
		33-2128 ♦♦	HP-2005 ¹
TT Quattro	3.2L V6 F/I	33-2128+	PS-7031

* 2 filters required ♦ Intake System Available - see page 81 +Cabin Air Filter Available - see page 453 1- Pro Series Filter Available

AUDI

AIR & OIL FILTERS

Vehicle	Engine Type	Air Filter	Oil Filter
2003 AUDI			
A3	2.0L L4 DSL	33-2865 ♦+	
A3	2.0L L4 F/I	E-2014 ♦+	
A3	2.0L L4 F/I - Turbo	E-2014	PS-7010
A4	1.8L L4 F/I	33-2209 ♦	HP-3001 ¹
A4	2.0L L4 F/I	33-2209	
A4	3.0L V6 F/I	33-2209	
A4 Quattro	1.8L L4 F/I	33-2209	HP-3001 ¹
A4 Quattro	3.0L V6 F/I	33-2209	
A6	3.0L V6 F/I	33-2125	
A6 Quattro	2.7L V6 F/I	33-2125	
A6 Quattro	3.0L V6 F/I	33-2125	
A6 Quattro	4.2L V8 F/I - Non-US	33-2125	
A6 Quattro	4.2L V8 F/I - US	33-2125	
A8	3.7L V8 F/I - w/Panel Filter	33-2779	
A8	3.7L V8 F/I - w/Round Filter	E-0775	
A8 Quattro	4.2L V8 F/I	33-2779	
A6 Quattro RS6	4.2L V8 F/I - Non-US	33-2866*	
Allroad Quattro	2.7L V6 F/I	33-2125	
RS6	4.2L V8 F/I	33-2866*	HP-2005 ¹
S4	4.2L V8 F/I	33-2209	
TT	1.8L L4 F/I	33-2128 ♦	HP-2005 ¹
		33-2128 ♦+	HP-2005 ¹
TT Quattro	1.8L L4 F/I	33-2128 ♦+	HP-2005 ¹
		33-2128 ♦	HP-2005 ¹

Vehicle	Engine Type	Air Filter	Oil Filter
2002 AUDI			
A3	1.8L L4 F/I	33-2128 ♦+	HP-2005 ¹
A4	1.8L L4 F/I	33-2209 ♦	HP-3001 ¹
A4	1.9L L4 DSL	33-2209 ♦	
A4	2.0L L4 F/I	33-2209	
A4	2.5L V6 DSL	33-2209 ♦	
A4	3.0L V6 F/I	33-2209	
A4 Quattro	1.8L L4 F/I	33-2209	HP-3001 ¹
A4 Quattro	3.0L V6 F/I	33-2209	
A6	3.0L V6 F/I	33-2125	
A6 Quattro	2.7L V6 F/I	33-2125	
A6 Quattro	3.0L V6 F/I	33-2125	
A6 Quattro	4.2L V8 F/I - Non-US	33-2125	
A6 Quattro	4.2L V8 F/I - US	33-2125	
A6 Quattro RS6	4.2L V8 F/I - Non-US	33-2866*	
Allroad Quattro	2.7L V6 F/I	33-2125	
S4	2.7L V6 F/I	33-2125	
S6	4.2L V8 F/I	33-2125	
S8	4.2L V8 F/I	33-2779	
TT	1.8L L4 F/I	33-2128 ♦	HP-2005 ¹
		33-2128 ♦+	HP-2005 ¹
TT Quattro	1.8L L4 F/I	33-2128 ♦	HP-2005 ¹
		33-2128 ♦+	HP-2005 ¹

Vehicle	Engine Type	Air Filter	Oil Filter
2001 AUDI			
A4	1.8L L4 F/I	33-2125 ♦	HP-3001 ¹
A4	2.8L V6 F/I	33-2125 ♦	
A4 Quattro	1.8L L4 F/I	33-2125	HP-3001 ¹
A4 Quattro	2.8L V6 F/I	33-2125	
A6 Quattro	2.7L V6 F/I	33-2125	
A6 Quattro	2.8L V6 F/I	33-2125 ♦	
A6 Quattro	4.2L V8 F/I	33-2125	
A8 Quattro	4.2L V8 F/I	33-2779	
Allroad Quattro	2.7L V6 F/I	33-2125	
S4	2.7L V6 F/I	33-2125 ♦	
S8	4.2L V8 F/I	33-2779	PS-7005
TT	1.8L L4 F/I	33-2128 ♦	HP-2005 ¹
		33-2128 ♦+	HP-2005 ¹
TT Quattro	1.8L L4 F/I	33-2128 ♦+	HP-2005 ¹

Vehicle	Engine Type	Air Filter	Oil Filter
2000 AUDI			
A3	1.8L L4 F/I	33-2128 ♦+	HP-2005 ¹
A4	1.8L L4 F/I	33-2125 ♦	HP-3001 ¹
A4	2.4L V6 F/I	33-2125 ♦	
A4	2.8L V6 F/I	33-2125 ♦	
A4 Quattro	1.8L L4 F/I	33-2125	HP-3001 ¹
A4 Quattro	2.8L V6 F/I	33-2125	
A6 Quattro	2.7L V6 F/I	33-2125	
A6 Quattro	2.8L V6 F/I	33-2125 ♦	
A6 Quattro	4.2L V8 F/I	33-2125	
A8 Quattro	4.2L V8 F/I	33-2779	
A8 Quattro	4.2L V8 F/I - ABZ Eng.	33-2779	PS-7005
S4	2.7L V6 F/I	33-2125 ♦	
TT	1.8L L4 F/I	33-2128 ♦+	HP-2005 ¹
		33-2128 ♦	HP-2005 ¹
TT Quattro	1.8L L4 F/I	33-2128 ♦+	HP-2005 ¹
1999 AUDI			
A3	1.8L L4 F/I	33-2128 ♦+	HP-2005 ¹
A4	1.8L L4 F/I	33-2125 ♦	HP-3001 ¹
A4	2.8L V6 F/I	33-2125 ♦	
A4 Quattro	1.8L L4 F/I	33-2125 ♦	HP-3001 ¹
A4 Quattro	2.8L V6 F/I	33-2125 ♦	
A6 Quattro	2.8L V6 F/I	33-2125 ♦	
A8 Quattro	4.2L V8 F/I	33-2779	
S4	2.7L V6 F/I	33-2125 ♦	

Vehicle	Engine Type	Air Filter	Oil Filter
1998 AUDI			
A4	1.8L L4 F/I	33-2125 ♦	HP-3001 ¹
A4	2.8L V6 F/I	33-2125 ♦	HP-3001 ¹
A4 Quattro	1.8L L4 F/I	33-2125 ♦	HP-3001 ¹
A4 Quattro	2.8L V6 F/I	33-2125 ♦	HP-3001 ¹
A6 Quattro	2.8L V6 F/I		HP-3001 ¹
A6 Quattro	2.8L V6 F/I - Sedan	33-2125 ♦	HP-3001
A6 Quattro	2.8L V6 F/I - Wagon	33-2029 ♦	HP-3001

Vehicle	Engine Type	Air Filter	Oil Filter
1997 AUDI			
A3	1.8L L4 F/I	33-2128 ♦	HP-2005 ¹
A4	1.8L L4 F/I	33-2125 ♦	HP-3001 ¹
A4 Quattro	1.8L L4 F/I	33-2125 ♦	HP-3001 ¹
A4 Quattro	2.8L V6 F/I	33-2125 ♦	HP-3001 ¹
A6 Quattro	2.8L V6 F/I	33-2029 ♦	HP-3001 ¹
A8 Quattro	4.2L V8 F/I	33-2779	

Vehicle	Engine Type	Air Filter	Oil Filter
1996 AUDI			
A4	2.8L V6 F/I	33-2125 ♦	HP-3001 ¹
A4 Quattro	2.8L V6 F/I	33-2125 ♦	HP-3001 ¹

Vehicle	Engine Type	Air Filter	Oil Filter
1995 AUDI			
90 Quattro	2.8L V6 F/I	33-2029	HP-3001 ¹
S6	2.2L L5 F/I		HP-2005 ¹

Vehicle	Engine Type	Air Filter	Oil Filter
1991 AUDI			
200 Quattro	2.2L L5 F/I - 10v	33-2003	
200 Quattro	2.2L L5 F/I - 20v	33-2768	

Vehicle	Engine Type	Air Filter	Oil Filter
1980 AUSTIN			
Allegro	1500 L4 CARB - single carb.	E-2470	

Vehicle	Engine Type	Air Filter	Oil Filter
1977 AUSTIN			
Maxi	1500 L4 CARB	E-2470	

Vehicle	Engine Type	Air Filter	Oil Filter
1976 AUSTIN			
Maxi	1500 L4 CARB	E-2470	

Vehicle	Engine Type	Air Filter	Oil Filter
1975 AUSTIN			
Maxi	1500 L4 CARB	E-2470	

Vehicle	Engine Type	Air Filter	Oil Filter
1974 AUSTIN			
Maxi	1500 L4 CARB	E-2470	

* 2 filters required ♦ Intake System Available - see page 81 +Cabin Air Filter Available - see page 453 1- Pro Series Filter Available

AIR & OIL FILTERS

AUSTIN HEALEY

Vehicle	Engine Type	Air Filter	Oil Filter	Vehicle	Engine Type	Air Filter	Oil Filter
1968 AUSTIN HEALEY				2015 BMW			
Sprite	78 L4 CARB	E-2230		435i xDrive Gran Coupe	3.0L L6 F/I	33-2997	PS-7014
2016 BMW							
228i	2.0L L4 F/I	33-2990		528i	2.0L L4 F/I	33-2963	PS-7014
228i xDrive	2.0L L4 F/I	33-2990	PS-7014	528i xDrive	2.0L L4 F/I	33-2963	PS-7014
320i xDrive	2.0L L4 F/I - US	33-2990		535d	3.0L L6 DSL	33-3028	
328i	2.0L L4 F/I	33-2990		535d GT	3.0L L6 DSL	33-3028	
328i GT	2.0L L4 F/I	33-2990		535d xDrive	3.0L L6 DSL	33-3028	
328i GT xDrive	2.0L L4 F/I	33-2990	PS-7014	535i	3.0L L6 F/I	33-2428	PS-7014
328i xDrive	2.0L L4 F/I	33-2990	PS-7014	535i GT	3.0L L6 F/I	33-2428	PS-7014
428i Gran Coupe	2.0L L4 F/I	33-2990		535i GT xDrive	3.0L L6 F/I	33-2428	PS-7014
428i xDrive Gran Coupe	2.0L L4 F/I	33-2990	PS-7014	535i xDrive	3.0L L6 F/I	33-2428	PS-7014
435i Gran Coupe	3.0L L6 F/I	33-2997	PS-7014	640i Gran Coupe	3.0L L6 F/I	33-2428	PS-7014
435i xDrive	3.0L L6 F/I	33-2997	PS-7014	640i xDrive Gran Coupe	3.0L L6 F/I	33-2428	PS-7014
435i xDrive Gran Coupe	3.0L L6 F/I	33-2997	PS-7014	740Li xDrive	3.0L L6 F/I	33-2428	PS-7014
535i xDrive	3.0L L6 F/I	33-2428		C600 Sport	647	BM-6012	
M3	3.0L L6 F/I	33-2488	PS-7014	C650GT	647	BM-6012	KN-164
M4	3.0L L6 F/I	33-2488	PS-7014	F700GS	798	BM-8006	KN-160
M5	4.4L V8 F/I	33-2488		F800GS	798	BM-8006	KN-160
M6	4.4L V8 F/I	33-2488		F800GS Adventure	798	BM-8006	KN-160
M6 Gran Coupe	4.4L V8 F/I	33-2488		F800GT	798	BM-8006	KN-160
M235i	3.0L L6 F/I	33-2997	PS-7014	F800R	798	BM-8006	KN-160
M235i xDrive	3.0L L6 F/I		PS-7014	G650GS	650	BM-6501	KN-151
X3	2.0L L4 F/I	33-2465	PS-7014	G650GS Sertao	650	BM-6501	KN-151
X3	3.0L L6 F/I	33-2428	PS-7014	i8	1.5L L3 F/I	33-2997	
X3 sDrive20i	2.0L L4 F/I	33-2465	PS-7014	K1300S	1300	BM-1205	KN-160
X3 xDrive 30d	3.0L L6 DSL	33-3028		K1600GT	1600	BM-1611	KN-164
X3 xDrive 35d	3.0L L6 DSL	33-3028		K1600GTL	1600	BM-1611	KN-164
X3 xDrive20i	2.0L L4 F/I	33-2465	PS-7014	K1600GTL Exclusive	1600	BM-1611	KN-164
X3 xDrive28i	2.0L L4 F/I	33-2465	PS-7014	M3	3.0L L6 F/I	33-2488	PS-7014
X3 xDrive35i	3.0L L6 F/I	33-2428	PS-7014	M4	3.0L L6 F/I	33-2488	PS-7014
X5	3.0L L6 F/I	33-2428	PS-7014	M5	4.4L V8 F/I	33-2488	
X5 M50d	3.0L L6 DSL	33-3028		M6	4.4L V8 F/I	33-2488	
X5 xDrive30d	3.0L L6 DSL	33-3028		M6 Gran Coupe	4.4L V8 F/I	33-2488	
X5 xDrive40d	3.0L L6 DSL	33-3028		M235i	3.0L L6 F/I	33-2997	PS-7014
2015 BMW							
118i	1.6L L4 F/I	33-2990		M235i xDrive	3.0L L6 F/I	33-2997	PS-7014
135i	3.0L L6 F/I		PS-7014	R nineT	1170	BM-1204	KN-164
228i	2.0L L4 F/I	33-2990	PS-7014	R1200GS	1200	BM-1113	KN-160
228i xDrive	2.0L L4 F/I	33-2990	PS-7014	R1200GS Adventure	1200	BM-1113	KN-160
320D	2.0L L4 DSL	33-2990		R1200R	1170		KN-160
320d GT	2.0L L4 DSL	33-2990		R1200R	1170 - Liquid Cooled Eng.	BM-1113	KN-160
320i	1.6L L4 F/I	33-2990	PS-7014	R1200R	1200		KN-160
320i	2.0L L4 F/I	33-2990	PS-7014	R1200R	1200 - Air Cooled Eng.	BM-1204	KN-160
320i GT	2.0L L4 F/I	33-2990	PS-7014	R1200RS	1170 - Air Cooled Eng.	BM-1204	
320i xDrive	2.0L L4 F/I	33-2990	PS-7014	R1200RS	1170 - Liquid Cooled Eng.	BM-1113	
325d GT	2.0L L4 DSL	33-2990		R1200RT	1200	BM-1113	KN-160
328i	2.0L L4 F/I	33-2990	PS-7014	S1000R	999	BM-1010	KN-160
328i GT	2.0L L4 F/I	33-2990	PS-7014	S1000R	999 - Race Specific	BM-1010R	KN-160
328i GT xDrive	2.0L L4 F/I	33-2990	PS-7014	S1000RR	999	BM-1010	
328i xDrive	2.0L L4 F/I	33-2990	PS-7014	S1000RR	999 - Race Specific	BM-1010R	
335i	3.0L L6 F/I	33-2997 ♦	PS-7014	X1	2.0L L4 F/I	33-2963	PS-7014
335i GT	3.0L L6 F/I	33-2997	PS-7014	X1 16d	2.0L L4 DSL	33-2942	
335i GT xDrive	3.0L L6 F/I	33-2997	PS-7014	X1 18d	2.0L L4 DSL - E84	33-2942	
335i xDrive	3.0L L6 F/I	33-2997	PS-7014	X1 18d	2.0L L4 DSL - F48	33-3025	
428i	2.0L L4 F/I	33-2990	PS-7014	X1 20d	2.0L L4 DSL - E84	33-2942	
428i Gran Coupe	2.0L L4 F/I	33-2990	PS-7014	X1 20d	2.0L L4 DSL - F48	33-3025	
428i xDrive	2.0L L4 F/I	33-2990	PS-7014	X1 20i	2.0L L4 F/I		PS-7014
428i xDrive Gran Coupe	2.0L L4 F/I	33-2990	PS-7014	X1 20i	2.0L L4 F/I - E84	33-2963	PS-7014
435i	3.0L L6 F/I	33-2997	PS-7014	X1 20i	2.0L L4 F/I - F48	33-3025	PS-7014
435i Gran Coupe	3.0L L6 F/I	33-2997	PS-7014	X1 25d	2.0L L4 DSL - E84	33-2942	
435i xDrive	3.0L L6 F/I	33-2997	PS-7014	X1 25d	2.0L L4 DSL - F48	33-3025	
				X1 25i	2.0L L4 F/I	33-3025	
				X1 28i	2.0L L4 F/I		PS-7014

* 2 filters required ♦ Intake System Available - see page 81 +Cabin Air Filter Available - see page 453 1- Pro Series Filter Available

BMW

AIR & OIL FILTERS

Vehicle	Engine Type	Air Filter	Oil Filter	Vehicle	Engine Type	Air Filter	Oil Filter
2015 BMW				2014 BMW			
X1 28i	2.0L L4 F/I - E84	33-2963	PS-7014	G650GS	650	BM-6501	KN-151
X1 28i	2.0L L4 F/I - F48	33-3025	PS-7014	G650GS Sertao	650	BM-6501	KN-151
X3	2.0L L4 F/I	33-2465		HP4	999	BM-1010	KN-160
X3 sDrive18i	2.0L L4 F/I	33-2465	PS-7014	HP4	999 - Race Specific	BM-1010R	KN-160
X3 sDrive20i	2.0L L4 F/I	33-2465	PS-7014	HP4 Competition	999	BM-1010	KN-160
X3 xDrive 30d	3.0L L6 DSL	33-3028		HP4 Competition	999 - Race Specific	BM-1010R	KN-160
X3 xDrive20i	2.0L L4 F/I	33-2465	PS-7014	K1300S	1300	BM-1205	KN-160
X3 xDrive28i	2.0L L4 F/I	33-2465	PS-7014	K1600GT	1600	BM-1611	KN-164
X3 xDrive35i	3.0L L6 F/I	33-2428	PS-7014	K1600GT Sport	1600	BM-1611	KN-164
X4	2.0L L4 F/I	33-2465		K1600GTL	1600	BM-1611	KN-164
X4	3.0L L6 DSL	33-3028		K1600GTL Exclusive	1600	BM-1611	KN-164
X4	3.0L L6 F/I	33-2428	PS-7014	M3	3.0L L6 F/I	33-2488	
X5	3.0L L6 F/I	33-2428	PS-7014	M4	3.0L L6 F/I	33-2488	
X5 M50d	3.0L L6 DSL	33-3028		M5	4.4L V8 F/I	33-2488	
X5 xDrive30d	3.0L L6 DSL	33-3028		M6	4.4L V8 F/I	33-2488	
X5 xDrive35d	3.0L L6 DSL	33-3028		M6 Gran Coupe	4.4L V8 F/I	33-2488	
X5 xDrive40d	3.0L L6 DSL	33-3028		M235i	3.0L L6 F/I	33-2997	PS-7014
X6	3.0L L6 F/I	33-2428	PS-7014	R nineT	1170	BM-1204	KN-164
X6 M50d	3.0L L6 DSL	33-3028		R1200GS	1200	BM-1113	KN-160
X6 xDrive 30d	3.0L L6 DSL	33-3028		R1200GS Adventure	1200	BM-1113	KN-160
Z4	3.0L L6 F/I	33-2367		R1200R	1200	BM-1204	KN-160
Z4 sDrive 28i	2.0L L4 F/I	33-2963		R1200RT	1200	BM-1113	KN-160
Z4 sDrive 35i	3.0L L6 F/I	33-2367	PS-7014	S1000R	999	BM-1010	KN-164
2014 BMW				2013 BMW			
118i	1.6L L4 F/I	33-2990		S1000R	999 - Race Specific	BM-1010R	KN-164
135i	3.0L L6 F/I	33-2458	PS-7014	S1000RR	999	BM-1010	KN-164
228i	2.0L L4 F/I	33-2990	PS-7014	S1000RR	999 - Race Specific	BM-1010R	KN-164
320D	2.0L L4 DSL	33-2990		X1	2.0L L4 F/I	33-2963	PS-7014
320d GT	2.0L L4 DSL	33-2990		X1 16d	2.0L L4 DSL	33-2942	
320i	1.6L L4 F/I	33-2990		X1 18d	2.0L L4 DSL	33-2942	
320i	2.0L L4 F/I	33-2990	PS-7014	X1 20d	2.0L L4 DSL	33-2942	
320i GT	2.0L L4 F/I	33-2990	PS-7014	X1 20i	2.0L L4 F/I	33-2963	PS-7014
320i xDrive	2.0L L4 F/I	33-2990	PS-7014	X1 25d	2.0L L4 DSL	33-2942	
328i	2.0L L4 F/I	33-2990	PS-7014	X1 28i	2.0L L4 F/I	33-2963	PS-7014
328i GT	2.0L L4 F/I	33-2990	PS-7014	X1 xDrive35i	3.0L L6 F/I	33-2458	PS-7014
328i GT xDrive	2.0L L4 F/I	33-2990	PS-7014	X3 xDrive28i	2.0L L4 F/I	33-2465	PS-7014
328i xDrive	2.0L L4 F/I	33-2990	PS-7014	X3 xDrive35i	3.0L L6 F/I	33-2428	PS-7014
335i	3.0L L6 F/I	33-2997 ♦	PS-7014	X5	3.0L L6 F/I	33-2428	PS-7014
335i GT	3.0L L6 F/I	33-2997	PS-7014	X5 M	4.4L V8 F/I	33-2449	
335i GT xDrive	3.0L L6 F/I	33-2997	PS-7014	X5 M50d	3.0L L6 DSL	33-3028	
335i xDrive	3.0L L6 F/I	33-2997	PS-7014	X5 xDrive30d	3.0L L6 DSL	33-3028	
335is	3.0L L6 F/I	33-2367	PS-7014	X5 xDrive35d	3.0L L6 DSL	33-3028	
420d	2.0L L4 DSL	33-2990		X5 xDrive40d	3.0L L6 DSL	33-3028	
428i	2.0L L4 F/I	33-2990	PS-7014	X6 M	4.4L V8 F/I	33-2449	
428i xDrive	2.0L L4 F/I	33-2990	PS-7014	Z4 sDrive 28i	2.0L L4 F/I	33-2963	
435i	3.0L L6 F/I	33-2997	PS-7014	Z4 sDrive 35i	3.0L L6 F/I	33-2367	PS-7014
435i xDrive	3.0L L6 F/I	33-2997	PS-7014	2013 BMW			
528i	2.0L L4 F/I	33-2963	PS-7014	118i	1.6L L4 F/I	33-2990	
528i xDrive	2.0L L4 F/I	33-2963	PS-7014	128i	3.0L L6 F/I	33-2332	PS-7014
535d	3.0L L6 DSL	33-3028		135i	3.0L L6 F/I	33-2458	PS-7014
535d GT	3.0L L6 DSL	33-3028		135is	3.0L L6 F/I	33-2458	PS-7014
535d xDrive	3.0L L6 DSL	33-3028		316i	1.6L L4 F/I	33-2990	
535i	3.0L L6 F/I	33-2428	PS-7014	320D	2.0L L4 DSL	33-2990	
535i GT	3.0L L6 F/I	33-2428	PS-7014	320d GT	2.0L L4 DSL	33-2990	
535i GT xDrive	3.0L L6 F/I	33-2428	PS-7014	320i	1.6L L4 F/I	33-2990	
535i xDrive	3.0L L6 F/I	33-2428	PS-7014	320i	2.0L L4 F/I	33-2990	PS-7014
640i Gran Coupe	3.0L L6 F/I	33-2428		320i GT	2.0L L4 F/I	33-2990	PS-7014
C600 Sport	647	BM-6012		320i xDrive	2.0L L4 F/I	33-2990	PS-7014
C650GT	647	BM-6012	KN-164	325d GT	2.0L L4 DSL	33-2990	
F700GS	798	BM-8006	KN-164	328i	2.0L L4 F/I	33-2990	PS-7014
F800GS	798	BM-8006	KN-164	328i	3.0L L6 F/I	33-2332	PS-7014
F800GS Adventure	798	BM-8006	KN-164	328i GT	2.0L L4 F/I	33-2990	PS-7014
F800GT	798	BM-8006	KN-164	328i xDrive	2.0L L4 F/I	33-2990	PS-7014
F800R	798	BM-8006	KN-164	328i xDrive	3.0L L6 F/I	33-2332	PS-7014
				335i	3.0L L6 F/I	33-2997 ♦	PS-7014

* 2 filters required ♦ Intake System Available - see page 81 +Cabin Air Filter Available - see page 453 1- Pro Series Filter Available

AIR & OIL FILTERS

BMW

Vehicle	Engine Type	Air Filter	Oil Filter	Vehicle	Engine Type	Air Filter	Oil Filter
2013 BMW				2012 BMW			
335i Coupe	3.0L L6 F/I	33-2458 ♦	PS-7014	128i	3.0L L6 F/I	33-2332	PS-7014
335i GT	3.0L L6 F/I	33-2997	PS-7014	135i	3.0L L6 F/I	33-2458	PS-7014
335i xDrive	3.0L L6 F/I	33-2997	PS-7014	316i	1.6L L4 F/I - E90/91/92/93, Exc. N45N Eng.	RC-9350	
335i xDrive Coupe	3.0L L6 F/I	33-2458	PS-7014	318i	2.0L L4 F/I	E-2021	
335is	3.0L L6 F/I	33-2367	PS-7014	320D	2.0L L4 DSL - Exc. F30/F31	33-2942 ♦	
520i	2.0L L4 F/I	33-2963		320D	2.0L L4 DSL - F30/F31	33-2990 ♦	
528i	2.0L L4 F/I	33-2963	PS-7014	320i	2.0L L4 F/I		PS-7014
528i xDrive	2.0L L4 F/I	33-2963	PS-7014	320i	2.0L L4 F/I - Exc. F30/F31	E-2021	PS-7014
535i	3.0L L6 F/I	33-2428	PS-7014	320i	2.0L L4 F/I - F30/F31	33-2990	PS-7014
535i GT	3.0L L6 F/I	33-2428	PS-7014	328i	2.0L L4 F/I - Non-US	33-2990	
535i GT xDrive	3.0L L6 F/I	33-2428	PS-7014	328i	2.0L L4 F/I - US, F30	33-2990	
535i xDrive	3.0L L6 F/I	33-2428	PS-7014	328i	3.0L L6 F/I	33-2332	PS-7014
640i	3.0L L6 F/I	33-2428		328i xDrive	3.0L L6 F/I	33-2332	PS-7014
640i Gran Coupe	3.0L L6 F/I	33-2428	PS-7014	335i	3.0L L6 F/I		PS-7014
ActiveHybrid 7	3.0L L6 F/I	33-2428	PS-7014	335i	3.0L L6 F/I - Exc. F30	33-2458 ♦	PS-7014
C600 Sport	647	BM-6012	KN-164	335i	3.0L L6 F/I - Non-US, F30/F31	33-2997	PS-7014
C650GT	647	BM-6012	KN-164	335i	3.0L L6 F/I - US, F30 Sedan	33-2997 ♦	PS-7014
F700GS	798	BM-8006	KN-164	335i xDrive	3.0L L6 F/I	33-2458	PS-7014
F800GS	798	BM-8006	KN-164	335is	3.0L L6 F/I	33-2367	PS-7014
F800GT	798	BM-8006	KN-164	528i	2.0L L4 F/I	33-2963	PS-7014
F800R	798	BM-8006	KN-164	528i xDrive	2.0L L4 F/I	33-2963	PS-7014
G650GS	650	BM-6501	KN-151	535i	3.0L L6 F/I	33-2428	PS-7014
G650GS Sertao	650	BM-6501	KN-151	535i GT	3.0L L6 F/I	33-2428	PS-7014
HP4	999	BM-1010	KN-160	535i GT xDrive	3.0L L6 F/I	33-2428	PS-7014
HP4	999 - Race Specific	BM-1010R	KN-160	535i xDrive	3.0L L6 F/I	33-2428	PS-7014
K1300S	1300	BM-1205	KN-160	F650GS	798	BM-8006	KN-164
K1300S 30 Jahre	1300	BM-1205	KN-160	F800GS	798	BM-8006	KN-164
K-Modelle				F800R	798	BM-8006	KN-164
K1600GT	1600	BM-1611		F800ST	798	BM-8006	
K1600GTL	1600	BM-1611		G650GS	650	BM-6501	KN-151
M3	4.0L V8 F/I	E-2994		G650GS Sertao	650	BM-6501	KN-151
M5	4.4L V8 F/I	33-2488		K1300S	1300	BM-1205	KN-160
M6	4.4L V8 F/I	33-2488		K1600GT	1600	BM-1611	
M135i	3.0L L6 F/I	33-2997		K1600GTL	1600	BM-1611	
R1200GS	1170		KN-160	M3	4.0L V8 F/I	E-2994	
R1200GS	1170 - Air Cooled Eng.	BM-1204	KN-160	M5	4.4L V8 F/I	33-2488	
R1200GS	1170 - Water Cooled Eng.	BM-1113	KN-160	M6	4.4L V8 F/I	33-2488	
R1200GS Adventure	1200	BM-1204	KN-160	R1200GS	1200	BM-1204	KN-164
R1200R	1200	BM-1204	KN-160	R1200GS Adventure	1200	BM-1204	KN-164
R1200RT	1200	BM-1204	KN-164	R1200R	1200	BM-1204	KN-164
S1000RR	990	BM-1010	KN-160	R1200RT	1200	BM-1204	KN-164
S1000RR	990 - Race Specific	BM-1010R	KN-160	S1000RR	990	BM-1010	KN-160
X1 16d	2.0L L4 DSL	33-2942		S1000RR	990 - Race Specific	BM-1010R	KN-160
X1 20i	2.0L L4 F/I	33-2963		X1 20i	2.0L L4 F/I	33-2963	
X1 28i	2.0L L4 F/I	33-2963	PS-7014	X1 28i	2.0L L4 F/I	33-2963	PS-7014
X1 35i	3.0L L6 F/I	33-2458	PS-7014	X3 xDrive28i	2.0L L4 F/I	33-2465	PS-7014
X1 xDrive28i	2.0L L4 F/I	33-2963	PS-7014	X3 xDrive28i	3.0L L6 F/I		PS-7014
X3 xDrive28i	2.0L L4 F/I	33-2465	PS-7014	X3 xDrive28i	3.0L L6 F/I - Exc. Turbo	33-2465	PS-7014
X3 xDrive28i	3.0L L6 F/I	33-2428	PS-7014	X3 xDrive28i	3.0L L6 F/I - Turbo	33-2428	PS-7014
X3 xDrive35i	3.0L L6 F/I	33-2428	PS-7014	X3 xDrive35i	3.0L L6 F/I - Turbo	33-2428	PS-7014
X5	3.0L L6 F/I	33-2428	PS-7014	X5	3.0L L6 F/I	33-2428	PS-7014
X5 M	4.4L V8 F/I	33-2449		X5 M	4.4L V8 F/I	33-2449	
X5 M50d	3.0L L6 DSL	33-3028		X5 M50d	3.0L L6 DSL	33-3028	
X5 xDrive30d	3.0L L6 DSL	33-3028		X5 xDrive35d	3.0L L6 DSL - US	33-2959	
X5 xDrive35d	3.0L L6 DSL	33-2959		X6	3.0L L6 F/I	33-2428	PS-7014
X5 xDrive40d	3.0L L6 DSL	33-3028		X6 M	4.4L V8 F/I	33-2449	
X6	3.0L L6 F/I	33-2428	PS-7014	X6 M50d	3.0L L6 DSL	33-3028	
X6 M	4.4L V8 F/I	33-2449		X6 M	4.4L V8 F/I	33-2449	
X6 M50d	3.0L L6 DSL	33-3028		X6 M50d	3.0L L6 DSL	33-3028	
Z4 sDrive 20i	2.0L L4 F/I	33-2963		Z4	3.0L L6 F/I	33-2367	PS-7014
Z4 sDrive 28i	2.0L L4 F/I	33-2963		Z4	2.0L L4 F/I	33-2963	
Z4 sDrive 35i	3.0L L6 F/I	33-2367	PS-7014	Z4 sDrive 20i	2.0L L4 F/I	33-2963	
				Z4 sDrive 28i	2.0L L4 F/I	33-2963	

* 2 filters required ♦ Intake System Available - see page 81 +Cabin Air Filter Available - see page 453 1- Pro Series Filter Available

Partial Listing - Complete List of Vehicles and Applications at knfilters.com

BMW

AIR & OIL FILTERS

Vehicle	Engine Type	Air Filter	Oil Filter	Vehicle	Engine Type	Air Filter	Oil Filter
2011 BMW				2011 BMW			
1 Series M	3.0L L6 F/I	33-2367	PS-7014	X6 M	4.4L V8 F/I	33-2449	
116i	2.0L L4 F/I	RC-9350		Z4	3.0L L6 F/I		PS-7014
120d	2.0L L4 DSL - Exc. F20	33-2942 ♦		Z4	3.0L L6 F/I - Exc. Turbo	33-2963	PS-7014
120d	2.0L L4 DSL - F20	33-2990 ♦		Z4	3.0L L6 F/I - Turbo	33-2367	PS-7014
128i	3.0L L6 F/I	33-2332	PS-7014	2010 BMW			
135i	3.0L L6 F/I	33-2458	PS-7014	116d	2.0L L4 DSL	33-2942 ♦	
316i	1.6L L4 F/I - Exc. N45N Eng.	RC-9350		116i	2.0L L4 F/I	RC-9350	
318i	2.0L L4 F/I	E-2021 ♦		118i	2.0L L4 F/I	E-2021 ♦	
320D	2.0L L4 DSL	33-2942 ♦		128i	3.0L L6 F/I	33-2332	PS-7014
320i	2.0L L4 F/I	E-2021 ♦		135i	3.0L L6 F/I		PS-7014
323i	2.5L L6 F/I		PS-7014	135i	3.0L L6 F/I - N54 Eng.	33-2367	PS-7014
325d	3.0L L6 DSL	33-2942		135i	3.0L L6 F/I - N55 Eng.	33-2458	PS-7014
325i	3.0L L6 F/I	33-2332		135i	3.0L L6 F/I - US	33-2367	PS-7014
328i	3.0L L6 F/I	33-2332	PS-7014	316i	1.6L L4 F/I - Exc. N45N Eng.	RC-9350	
328i xDrive	3.0L L6 F/I	33-2332	PS-7014	318i	2.0L L4 F/I	E-2021 ♦	
330D	3.0L L6 DSL	33-2942		320D	2.0L L4 DSL	33-2942 ♦	
330i	3.0L L6 F/I	33-2332		320i	2.0L L4 F/I	E-2021 ♦	
335d	3.0L L6 DSL	33-2942		323i	2.5L L6 F/I		PS-7014
335i	3.0L L6 F/I	33-2458	PS-7014	325i	2.5L L6 F/I		PS-7014
335i xDrive	3.0L L6 F/I	33-2458	PS-7014	325i	3.0L L6 F/I - w/Panel Filter	33-2332	
335is	3.0L L6 F/I	33-2367	PS-7014	325i	3.0L L6 F/I - w/Round Filter	E-2022	
528i	2.0L L4 F/I	33-2963		328i	3.0L L6 F/I	33-2332	PS-7014
528i	3.0L L6 F/I	33-2970	PS-7014	328i xDrive	3.0L L6 F/I	33-2332	PS-7014
528i xDrive	3.0L L6 F/I		PS-7014	330i	3.0L L6 F/I - w/Panel Filter	33-2332	
528i xDrive	3.0L L6 F/I - Non-US, F10	33-2970	PS-7014	330i	3.0L L6 F/I - w/Round Filter	E-2022	
530i	3.0L L6 F/I	33-2970		335d	3.0L L6 DSL	33-2942	
535i	3.0L L6 F/I	33-2428	PS-7014	335i	3.0L L6 F/I		PS-7014
535i GT	3.0L L6 F/I	33-2428	PS-7014	335i	3.0L L6 F/I - Non-US, N54 Eng.	33-2367	PS-7014
535i GT xDrive	3.0L L6 F/I	33-2428	PS-7014	335i	3.0L L6 F/I - US	33-2367	PS-7014
535i xDrive	3.0L L6 F/I	33-2428	PS-7014	335i xDrive	3.0L L6 F/I		PS-7014
650i	4.8L V8 F/I - E63/E64	33-2294+		335i xDrive	3.0L L6 F/I - US	33-2367	PS-7014
740i	3.0L L6 F/I	33-2428	PS-7014	520d	2.0L L4 DSL	33-2943+	
F650GS	798	BM-8006	KN-164	528i	3.0L L6 F/I		PS-7014
F800GS	798	BM-8006	KN-164	528i	3.0L L6 F/I - Non-US, E60, E61	33-2292	PS-7014
F800R	798	BM-8006	KN-164	528i	3.0L L6 F/I - Non-US, F10, F11	33-2970	PS-7014
F800ST	798	BM-8006		528i	3.0L L6 F/I - US	33-2292	PS-7014
G650GS	650	BM-6501	KN-151	528i xDrive	3.0L L6 F/I		PS-7014
K1300S	1300	BM-1205	KN-160	528i xDrive	3.0L L6 F/I - Non-US, E60, E61	33-2292	PS-7014
K1600GT	1600	BM-1611		528i xDrive	3.0L L6 F/I - Non-US, F10	33-2970	PS-7014
K1600GTL	1600	BM-1611		528i xDrive	3.0L L6 F/I - US	33-2292	PS-7014
M3	4.0L V8 F/I	E-2994		530i	3.0L L6 F/I	33-2292+	
M5	4.4L V8 F/I	33-2488		535i	3.0L L6 F/I	33-2367+	PS-7014
R1200GS	1200	BM-1204	KN-164	535i GT	3.0L L6 F/I	33-2428+	PS-7014
R1200GS Adventure	1200	BM-1204	KN-164	535i xDrive	3.0L L6 F/I	33-2367+	PS-7014
R1200R	1200	BM-1204	KN-164	550i	4.8L V8 F/I	33-2294+	
R1200R Classic	1200	BM-1204	KN-164	650i	4.8L V8 F/I	33-2294+	
R1200RT	1200	BM-1204	KN-164	F650GS	798	BM-8006	KN-164
S1000RR	990	BM-1010	KN-160	F800GS	798	BM-8006	KN-164
S1000RR	990 - Race Specific	BM-1010R	KN-160	F800R	798	BM-8006	KN-164
X1 20d	2.0L L4 DSL	33-2942 ♦		F800ST	798	BM-8006	
X3	3.0L L6 F/I - Exc. Turbo	33-2465		G650GS	650	BM-6501	KN-151
X3	3.0L L6 F/I - US, Turbo, Non-US, F25	33-2428		K1300GT	1300	BM-1205	KN-160
X3 xDrive 30d	3.0L L6 DSL	33-3028		K1300GT SE	1300	BM-1205	KN-160
X3 xDrive 35d	3.0L L6 DSL	33-3028		K1300S	1300	BM-1205	KN-160
X3 xDrive28i	3.0L L6 F/I		PS-7014	M3	4.0L V8 F/I	E-2994	
X3 xDrive28i	3.0L L6 F/I - Exc. Turbo	33-2465	PS-7014	M5	5.0L V10 F/I		PS-7032
X3 xDrive35i	3.0L L6 F/I - Turbo		PS-7014	M5	5.0L V10 F/I - Left Side Airbox	33-2352+	PS-7032
X3 xDrive35i	3.0L L6 F/I - US, Turbo, Non-US, F25	33-2428					
X5	3.0L L6 F/I	33-2428	PS-7014				
X5 M	4.4L V8 F/I	33-2449					
X5 xDrive35d	3.0L L6 DSL	33-2959					
X6	3.0L L6 F/I	33-2428	PS-7014				

* 2 filters required ♦ Intake System Available - see page 81 +Cabin Air Filter Available - see page 453 1- Pro Series Filter Available

AIR & OIL FILTERS

BMW

Vehicle	Engine Type	Air Filter	Oil Filter	Vehicle	Engine Type	Air Filter	Oil Filter
2010 BMW				2009 BMW			
M5	5.0L V10 F/I - Right Side Airbox	33-2350+	PS-7032	F650GS	652	BM-8006	KN-164
M6	5.0L V10 F/I		PS-7032	F800GS	798	BM-8006	KN-164
M6	5.0L V10 F/I - Left Side Airbox	33-2352+	PS-7032	F800S	798	BM-8006	
M6	5.0L V10 F/I - Right Side Airbox	33-2350+	PS-7032	F800ST	798	BM-8006	KN-164
R1200GS	1200	BM-1204	KN-164	G450X	450		KN-611
R1200GS Adventure	1200	BM-1204	KN-164	G650 Xcountry	650	BM-6507	KN-151
R1200R	1200		KN-164	G650GS	650	BM-6501	KN-151
R1200RT	1200	BM-1204	KN-164	K1200LT	1170	BM-1299	
S1000RR	990	BM-1010	KN-160	K1300GT	1300	BM-1205	KN-160
S1000RR	990 - Race Specific	BM-1010R	KN-160	K1300S	1300	BM-1205	KN-160
X3	3.0L L6 F/I		PS-7014	M3	4.0L V8 F/I - Non-US	E-2994	
X3	3.0L L6 F/I - Non-US, E83	33-2372	PS-7014	M3	4.0L V8 F/I - US	E-1994	
X3	3.0L L6 F/I - Non-US, F25	33-2428	PS-7014	M5	5.0L V10 F/I		PS-7032
X3	3.0L L6 F/I - US	33-2372	PS-7014	M5	5.0L V10 F/I - Left Side Airbox	33-2352+	PS-7032
X3 Si	2.5L L6 F/I	33-2372		M5	5.0L V10 F/I - Right Side Airbox	33-2350+	PS-7032
X5	3.0L L6 F/I		PS-7014	M6	5.0L V10 F/I		PS-7032
X5	3.0L L6 F/I - US	33-2406	PS-7014	M6	5.0L V10 F/I - Left Side Airbox	33-2352+	PS-7032
X5	4.8L V8 F/I	33-2407		M6	5.0L V10 F/I - Right Side Airbox	33-2350+	PS-7032
X5 M	4.4L V8 F/I	33-2449		R1200GS	1170	BM-1204	KN-164
X5 xDrive30d	3.0L L6 DSL - to 3/10	E-2657		R1200GS Adventure	1170	BM-1204	KN-164
X5 xDrive35d	3.0L L6 DSL	33-2959		R1200R	1170	BM-1204	KN-164
X5 xDrive35i	3.0L L6 F/I		PS-7014	R1200RT	1170	BM-1204	KN-164
X5 xDrive35i	3.0L L6 F/I - Non-US	33-2428	PS-7014	S1000RR	990	BM-1010	KN-164
X6	3.0L L6 F/I	33-2428	PS-7014	S1000RR	990 - Race Specific	BM-1010R	KN-164
X6 M	4.4L V8 F/I	33-2449		X3	3.0L L6 F/I	33-2372	PS-7014
X6 xDrive 30d	3.0L L6 DSL - to 3/10	E-2657		X5	3.0L L6 F/I	33-2406	PS-7014
X6 xDrive 35d	3.0L L6 DSL	33-2959		X5	4.8L V8 F/I	33-2407	
Z4	2.5L L6 F/I	33-2963		X5 M	4.4L V8 F/I	33-2449	
Z4	3.0L L6 F/I		PS-7014	X5 xDrive30d	3.0L L6 DSL	E-2657	
Z4	3.0L L6 F/I - Exc. Turbo	33-2963	PS-7014	X5 xDrive35d	3.0L L6 DSL	33-2959	
Z4	3.0L L6 F/I - Non-US, 23i, 30i	33-2963	PS-7014	X6	3.0L L6 F/I	33-2428	
Z4	3.0L L6 F/I - Non-US, 35i	33-2367	PS-7014	X6 M	4.4L V8 F/I	33-2449	
Z4	3.0L L6 F/I - Turbo	33-2367	PS-7014	X6 xDrive 30d	3.0L L6 DSL	E-2657	
				X6 xDrive 35d	3.0L L6 DSL	33-2959	
				Z4	2.5L L6 F/I	33-2963	
				Z4	3.0L L6 F/I	33-2372	PS-7014
				Z4	3.0L L6 F/I - Non-US, 23i, 30i	33-2963	PS-7014
				Z4	3.0L L6 F/I - Non-US, 35i	33-2367	PS-7014
				Z4	3.2L L6 F/I	33-2292	
2009 BMW				2008 BMW			
116i	1.6L L4 F/I	E-2021		116i	1.6L L4 F/I	E-2021	
116i	2.0L L4 F/I	RC-9350		118i	2.0L L4 F/I	E-2021 ♦	
128i	3.0L L6 F/I	33-2332	PS-7014	123d	2.0L L4 DSL	33-2942 ♦	
135i	3.0L L6 F/I		PS-7014	128i	3.0L L6 F/I	33-2332	PS-7014
135i	3.0L L6 F/I - Non-US, N54 Eng.	33-2367	PS-7014	135i	3.0L L6 F/I	33-2367	PS-7014
135i	3.0L L6 F/I - US	33-2367	PS-7014	316i	1.6L L4 F/I - Exc. N45N Eng.	RC-9350	
318i	2.0L L4 F/I	E-2021 ♦		318i	1.6L L4 F/I - N45N Eng	E-2021	
320D	2.0L L4 DSL	33-2942 ♦		318i	2.0L L4 F/I	E-2021 ♦	
320i	2.0L L4 F/I	E-2021 ♦		320D	2.0L L4 DSL	33-2942 ♦	
325i	2.5L L6 F/I		PS-7007	320i	2.0L L4 F/I	E-2021 ♦	
325i	3.0L L6 F/I	E-2022		323i	2.5L L6 F/I - Non-US	E-2022	
328i	3.0L L6 F/I	33-2332	PS-7014	325i	2.5L L6 F/I	E-2022	PS-7007
328i xDrive	3.0L L6 F/I	33-2332	PS-7014	328i	3.0L L6 F/I	33-2332	PS-7014
328xi	3.0L L6 F/I	33-2332		328xi	3.0L L6 F/I	33-2332	PS-7014
330i	3.0L L6 F/I	E-2022		330i	3.0L L6 F/I - Non-US	E-2022	PS-7007
335d	3.0L L6 DSL	33-2942		335i	3.0L L6 F/I	33-2367	PS-7014
335i	3.0L L6 F/I	33-2367	PS-7014	335xi	3.0L L6 F/I	33-2367	PS-7014
335i xDrive	3.0L L6 F/I	33-2367	PS-7014	525d	2.5L L6 DSL	E-2657+	
528i	3.0L L6 F/I	33-2292	PS-7014	525i	3.0L L6 F/I	33-2292+	
528i xDrive	3.0L L6 F/I	33-2292	PS-7014				
535i	3.0L L6 F/I	33-2367+	PS-7014				
535i GT	3.0L L6 F/I	33-2428+					
535i xDrive	3.0L L6 F/I	33-2367	PS-7014				
550i	4.8L V8 F/I	33-2294+					
650i	4.8L V8 F/I	33-2294+					

* 2 filters required ♦ Intake System Available - see page 81 +Cabin Air Filter Available - see page 453 1- Pro Series Filter Available

Partial Listing - Complete List of Vehicles and Applications at knfilters.com

BMW

AIR & OIL FILTERS

Vehicle	Engine Type	Air Filter	Oil Filter	Vehicle	Engine Type	Air Filter	Oil Filter
2008 BMW				2007 BMW			
525xi	3.0L L6 F/I	33-2292		525i	3.0L L6 F/I	33-2292+	PS-7014
528i	3.0L L6 F/I	33-2292	PS-7014	525xi	3.0L L6 F/I	33-2292	PS-7014
528xi	3.0L L6 F/I	33-2292	PS-7014	530i	3.0L L6 F/I	33-2292+	PS-7014
530i	3.0L L6 F/I	33-2292+		530xi	3.0L L6 F/I	33-2292	PS-7014
530xi	3.0L L6 F/I	33-2292		540i	4.0L V8 F/I	33-2294+	
535i	3.0L L6 F/I	33-2367+	PS-7014	550i	4.8L V8 F/I	33-2294+	
535xi	3.0L L6 F/I	33-2367	PS-7014	650i	4.8L V8 F/I	33-2294+	
540i	4.0L V8 F/I	33-2294+		730i	3.0L L6 F/I	33-2254	
550i	4.8L V8 F/I	33-2294+		750i	4.8L V8 F/I - Non-US	33-2254*	
650i	4.8L V8 F/I	33-2294+		750i	4.8L V8 F/I - US	33-2410	
750i	4.8L V8 F/I - Non-US	33-2254*		750iL	4.8L V8 F/I - Non-US	33-2254*	
750i	4.8L V8 F/I - US	33-2410		750Li	4.8L V8 F/I - US	33-2410	
750iL	4.8L V8 F/I - Non-US	33-2254*		F650GS	652	BM-6501	KN-151
750Li	4.8L V8 F/I - US	33-2410		F650GS Dakar	652	BM-6501	KN-151
F650GS	652	BM-8006	KN-164	F800GS	798	BM-8006	KN-164
F800GS	798	BM-8006	KN-164	F800S	798	BM-8006	KN-164
F800S	798	BM-8006	KN-164	F800ST	798	BM-8006	KN-164
F800ST	798	BM-8006	KN-164	G650 Xchallenge	650	BM-6507	KN-151
G650 Xcountry	650	BM-6507		G650 Xcountry	650	BM-6507	KN-151
K1200GT	1157	BM-1205	KN-160	G650 Xmoto	650	BM-6507	
K1200LT	1170	BM-1299	KN-163	K1200GT	1157	BM-1205	KN-160
K1200R Sport	1171	BM-1205	KN-160	K1200LT	1170	BM-1299	KN-163
K1200S	1157	BM-1205*	KN-160	K1200R	1200	BM-1205	KN-160
M3	4.0L V8 F/I - Non-US	E-2994		K1200R Sport	1157	BM-1205	KN-160
M3	4.0L V8 F/I - US	E-1994		K1200S	1157	BM-1205*	KN-160
M5	5.0L V10 F/I		PS-7032	M3	3.2L L6 F/I	33-2231	
M5	5.0L V10 F/I - Left Side Airbox	33-2352 ♦♦	PS-7032	M5	5.0L V10 F/I		PS-7032
M5	5.0L V10 F/I - Right Side Airbox	33-2350 ♦♦	PS-7032	M5	5.0L V10 F/I - Left Side Airbox	33-2352 ♦♦	PS-7032
M6	5.0L V10 F/I		PS-7032	M5	5.0L V10 F/I - Right Side Airbox	33-2350 ♦♦	PS-7032
M6	5.0L V10 F/I - Left Side Airbox	33-2352 ♦♦	PS-7032	M6	5.0L V10 F/I		PS-7032
M6	5.0L V10 F/I - Right Side Airbox	33-2350 ♦♦	PS-7032	M6	5.0L V10 F/I - Left Side Airbox	33-2352 ♦♦	PS-7032
R1200GS	1170	BM-1204	KN-164	M6	5.0L V10 F/I - Right Side Airbox	33-2350 ♦♦	PS-7032
R1200GS Adventure	1170	BM-1204	KN-164	R1200GS	1170	BM-1204	KN-164
R1200GS HP2	1170	BM-1204	KN-164	R1200GS Adventure	1170	BM-1204	KN-164
R1200R	1170	BM-1204	KN-164	R1200GS HP2	1170	BM-1204	KN-164
R1200RT	1170	BM-1204	KN-164	R1200R	1170	BM-1204	KN-164
X3	3.0L L6 DSL - Exc. SD	E-2657		R1200RT	1170	BM-1204	KN-164
X3	3.0L L6 F/I	33-2372	PS-7014	R1200S	1170	BM-1204	KN-164
X3 Si	2.5L L6 F/I	33-2372		R1200ST	1170	BM-1204	KN-164
X3 Si	3.0L L6 F/I	33-2372	PS-7014	X3	2.0L L4 DSL - to 8/07	E-2653	
X5	3.0L L6 F/I	33-2406	PS-7014	X3	3.0L L6 DSL - Exc. SD	E-2657	
X5	4.8L V8 F/I	33-2407		X3	3.0L L6 F/I	33-2372	PS-7014
X5 xDrive30d	3.0L L6 DSL	E-2657		X3 Si	2.5L L6 F/I	33-2372	
X5 xDrive35d	3.0L L6 DSL	33-2959		X3 Si	3.0L L6 F/I	33-2372	PS-7014
X6 xDrive 35d	3.0L L6 DSL	33-2959		X5	3.0L L6 DSL	E-2657	
Z4	3.0L L6 F/I	33-2372	PS-7014	X5	3.0L L6 F/I	33-2406	PS-7014
Z4	3.2L L6 F/I	33-2292		X5	4.8L V8 F/I	33-2407	
2007 BMW				X5 xDrive35d	3.0L L6 DSL	33-2959	
116i	1.6L L4 F/I	E-2021 ♦		Z4	3.0L L6 F/I	33-2372	PS-7014
135i	3.0L L6 F/I	33-2367		Z4	3.2L L6 F/I	33-2292	
318i	2.0L L4 F/I	E-2021 ♦		2006 BMW			
320i	2.0L L4 F/I	E-2021 ♦	PS-7007	116i	1.6L L4 F/I	E-2021 ♦	
323i	2.5L L6 F/I - Non-US	E-2022		120i	2.0L L4 F/I	E-2021 ♦	
325Ci	2.5L L6 F/I	33-2231		130i	3.0L L6 F/I	E-2022	PS-7007
325i	2.5L L6 F/I	E-2022	PS-7007	316i	1.6L L4 F/I	RC-9350	
328i	3.0L L6 F/I	33-2332	PS-7014	318i	2.0L L4 F/I	E-2021 ♦	
328xi	3.0L L6 F/I	33-2332	PS-7014	320i	2.0L L4 F/I	E-2021 ♦	PS-7007
330i	3.0L L6 F/I	E-2022	PS-7007	323i	2.5L L6 F/I - Non-US	E-2022	
335i	3.0L L6 F/I	33-2367	PS-7014	325Ci	2.5L L6 F/I	33-2231	PS-7014
335xi	3.0L L6 F/I	33-2367		325i	2.5L L6 F/I		PS-7007
525i	2.5L L6 F/I	33-2292+	PS-7007	325i	3.0L L6 F/I		PS-7014

* 2 filters required ♦ Intake System Available - see page 81 +Cabin Air Filter Available - see page 453 1- Pro Series Filter Available

AIR & OIL FILTERS

BMW

Vehicle	Engine Type	Air Filter	Oil Filter	Vehicle	Engine Type	Air Filter	Oil Filter
2006 BMW				2006 BMW			
325i	3.0L L6 F/I - Non-US	E-2022	PS-7014	Z4	2.5L L6 F/I - Non-US	33-2372	
325i	3.0L L6 F/I - US	33-2332	PS-7014	Z4	3.0L L6 F/I	33-2372	PS-7014
325Xi	3.0L L6 F/I	33-2332	PS-7014	Z4	3.2L L6 F/I - Non-US	33-2292	
330Ci	3.0L L6 F/I	33-2231	PS-7014	2005 BMW			
330D	3.0L L6 DSL	E-2657 ♦		116i	1.6L L4 F/I	E-2021 ♦	
330i	3.0L L6 F/I		PS-7014	318i	2.0L L4 F/I - 129BHP	E-2021 ♦	
330i	3.0L L6 F/I - Non-US	E-2022	PS-7014	320i	2.0L L4 F/I	E-2021 ♦	PS-7007
330i	3.0L L6 F/I - US	33-2332	PS-7014	320i	2.2L L6 F/I	33-2231 ♦	
330Xi	3.0L L6 F/I		PS-7014	325Ci	2.5L L6 F/I	33-2231 ♦	PS-7007
330Xi	3.0L L6 F/I - Non-US	E-2022	PS-7014	325i	2.5L L6 F/I		PS-7007
330Xi	3.0L L6 F/I - US	33-2332	PS-7014	325i	2.5L L6 F/I - 192BHP	33-2231 ♦	PS-7007
335i	3.0L L6 F/I	33-2367		325i	2.5L L6 F/I - 218BHP	E-2022 ♦	PS-7007
523i	2.5L L6 F/I	33-2292+		325i	2.5L L6 F/I - US	33-2231 ♦	PS-7007
525i	2.5L L6 F/I	33-2292+	PS-7007	325Xi	2.5L L6 F/I	33-2231 ♦	PS-7007
525i	3.0L L6 F/I	33-2292+	PS-7007	330Ci	3.0L L6 F/I		PS-7007
525xi	3.0L L6 F/I	33-2292	PS-7014	330Ci	3.0L L6 F/I - Non-US	E-2022 ♦	PS-7007
530i	3.0L L6 F/I	33-2292+	PS-7007	330Ci	3.0L L6 F/I - US	33-2231 ♦	PS-7007
530xi	3.0L L6 F/I	33-2292	PS-7014	330i	3.0L L6 F/I		PS-7007
550i	4.8L V8 F/I	33-2294+		330i	3.0L L6 F/I - Non-US	E-2022 ♦	PS-7007
650i	4.8L V8 F/I	33-2294+		330i	3.0L L6 F/I - US	33-2231 ♦	PS-7007
750i	4.8L V8 F/I	33-2254*		330Xi	3.0L L6 F/I		PS-7007
750iL	4.8L V8 F/I	33-2254*		330Xi	3.0L L6 F/I - Non-US	E-2022 ♦	PS-7007
750Li	4.8L V8 F/I	33-2254*		330Xi	3.0L L6 F/I - US	33-2231 ♦	PS-7007
760Li	6.0L V12 F/I	33-2254*		525d	2.5L L6 DSL	E-2657+	
F650CS	652		KN-151	525i	2.5L L6 F/I	33-2292+	PS-7007
F650GS	652	BM-6501	KN-151	530d	3.0L L6 DSL	E-2657+	
F650GS Dakar	652	BM-6501	KN-151	530i	3.0L L6 F/I	33-2292+	PS-7007
F800S	798	BM-8006	KN-164	540i	4.0L V8 F/I	33-2294+	
F800ST	798	BM-8006	KN-164	545i	4.4L V8 F/I	33-2294+	
HP2 Enduro	1170		KN-164	645Ci	4.4L V8 F/I	33-2294+	
K1200GT	1157	BM-1205	KN-160	745i	4.4L V8 F/I	33-2254	
K1200LT	1170	BM-1299	KN-163	745Li	4.4L V8 F/I	33-2254	
K1200R	1200	BM-1205	KN-160	F650CS	652	BM-6507	
K1200S	1157	BM-1205*	KN-160	F650CS ABS	652	BM-6507	
M3	3.2L L6 F/I	33-2231		F650GS	652	BM-6501	KN-151
M5	5.0L V10 F/I		PS-7032	F650GS ABS	652	BM-6501	KN-151
M5	5.0L V10 F/I - Left Side Airbox	33-2352 ♦+	PS-7032	F650GS Dakar	652	BM-6501	KN-151
M5	5.0L V10 F/I - Right Side Airbox	33-2350 ♦+	PS-7032	F650GS Dakar ABS	652	BM-6501	KN-151
M6	5.0L V10 F/I		PS-7032	K1200GT	1157		KN-160
M6	5.0L V10 F/I - Left Side Airbox	33-2352 ♦+	PS-7032	K1200LT	1170	BM-1299	KN-163
M6	5.0L V10 F/I - Right Side Airbox	33-2350 ♦+	PS-7032	K1200LT SE	1200	BM-1299	KN-163
R1150R	1150		KN-163	K1200R	1200	BM-1205	KN-160
R1150R Rockster	1150	BM-0400	KN-163	K1200RS	1200	BM-1299	KN-160
R1200GS	1170	BM-1204	KN-164	K1200RS SE	1200		KN-160
R1200GS Adventure	1170	BM-1204	KN-164	K1200S	1157	BM-1205*	KN-160
R1200GS HP2	1170	BM-1204	KN-164	M3	3.2L L6 F/I	33-2231 ♦	
R1200RT	1170	BM-1204	KN-164	M5	5.0L V10 F/I - Left Side Airbox	33-2352 ♦+	
X3	2.5L L6 F/I		PS-7007	M5	5.0L V10 F/I - Right Side Airbox	33-2350 ♦+	
X3	2.5L L6 F/I - Non-US, to 8/06	33-2070	PS-7007	R1150GS Adventure	1150		KN-163
X3	3.0L L6 DSL - Exc. SD	E-2657		R1150R	1150	BM-0400	KN-163
X3	3.0L L6 F/I	33-2231	PS-7007	R1150R Rockster	1150	BM-0400	KN-163
X3 Si	2.5L L6 F/I		PS-7007	R1150RS	1150	BM-0400	KN-163
X3 Si	2.5L L6 F/I - Non-US, from 6/06	33-2372	PS-7007	R1150RT	1150	BM-0400	KN-163
X3 Si	3.0L L6 F/I		PS-7007	R1200GS	1170	BM-1204	KN-164
X3 Si	3.0L L6 F/I - Non-US, from 9/06	33-2372	PS-7007	R1200GS Adventure	1170	BM-1204	KN-164
X5	3.0L L6 DSL	E-2657		R1200GS HP2	1170	BM-1204	KN-164
X5	3.0L L6 F/I	33-2255	PS-7007	R1200RT	1170	BM-1204	KN-164
X5	4.4L V8 F/I	33-2149	PS-7006	R1200ST	1170	BM-1204	KN-164
X5	4.4L V8 F/I - Exc. E53	33-2149	PS-7006	X3	2.5L L6 F/I		PS-7007
X5	4.8L V8 F/I	33-2149		X3	2.5L L6 F/I - Non-US	33-2070	PS-7007
				X3	2.5L L6 F/I - US	33-2231	PS-7007
				X3	3.0L L6 DSL	E-2657	

* 2 filters required ♦ Intake System Available - see page 81 +Cabin Air Filter Available - see page 453 1- Pro Series Filter Available

BMW

AIR & OIL FILTERS

Vehicle	Engine Type	Air Filter	Oil Filter	Vehicle	Engine Type	Air Filter	Oil Filter
2005 BMW				2004 BMW			
X3	3.0L L6 F/I	33-2231	PS-7007	X3	2.5L L6 F/I - Non-US	33-2070	PS-7007
X5	3.0L L6 DSL	E-2657		X3	2.5L L6 F/I - US	33-2231	PS-7007
X5	3.0L L6 F/I	33-2255	PS-7007	X3	3.0L L6 DSL	E-2657	
X5	4.4L V8 F/I	33-2149		X3	3.0L L6 F/I	33-2231	PS-7007
X5	4.8L V8 F/I	33-2149		X5	3.0L L6 DSL	E-2657	
Z4	2.2L L6 F/I	33-2070 ♦	PS-7007	X5	3.0L L6 F/I	33-2255	PS-7007
Z4	2.5L L6 F/I	33-2070	PS-7007	X5	4.4L V8 F/I	33-2149	
Z4	3.0L L6 F/I	33-2070	PS-7007	X5	4.8L V8 F/I	33-2149	
2004 BMW				2003 BMW			
116i	1.6L L4 F/I	E-2021 ♦		Z4	2.2L L6 F/I	33-2070 ♦	PS-7007
316i	1.8L L4 F/I	E-2232 ♦		Z4	2.5L L6 F/I	33-2070	PS-7007
318i	2.0L L4 F/I	E-2232		Z4	3.0L L6 F/I	33-2070	PS-7007
320Ci	2.2L L6 F/I	33-2231 ♦	PS-7007	2003 BMW			
320i	2.2L L6 F/I	33-2231 ♦	PS-7007	316i	1.6L L4 F/I - 115BHP	E-2232 ♦	
325Ci	2.5L L6 F/I	33-2231 ♦	PS-7007	318i	2.0L L4 F/I	E-2232	
325i	2.5L L6 F/I	33-2231 ♦	PS-7007	320D	2.0L L4 DSL	E-2653	
325Ti	2.5L L6 F/I	33-2231 ♦		320i	2.2L L6 F/I	33-2231 ♦	PS-7007
325Xi	2.5L L6 F/I	33-2231 ♦	PS-7007	325Ci	2.5L L6 F/I	33-2231 ♦	PS-7007
330Ci	3.0L L6 F/I	33-2231 ♦	PS-7007	325i	2.5L L6 F/I	33-2231 ♦	PS-7007
330i	3.0L L6 F/I	33-2231 ♦	PS-7007	325Ti	2.5L L6 F/I	33-2231 ♦	
330Xi	3.0L L6 F/I	33-2231 ♦	PS-7007	325Xi	2.5L L6 F/I	33-2231 ♦	PS-7007
525i	2.5L L6 F/I		PS-7007	330Ci	3.0L L6 F/I	33-2231 ♦	PS-7007
525i	2.5L L6 F/I - E39	33-2070 ♦♦	PS-7007	330i	3.0L L6 F/I	33-2231 ♦	PS-7007
525i	2.5L L6 F/I - E60, E61	33-2292 ♦♦	PS-7007	330Xi	3.0L L6 F/I	33-2231 ♦	PS-7007
525i	2.5L L6 F/I - US	33-2292	PS-7007	525i	2.5L L6 F/I		PS-7007
530i	3.0L L6 F/I		PS-7007	525i	2.5L L6 F/I - E39	33-2070 ♦♦	PS-7007
530i	3.0L L6 F/I - E39	33-2070+	PS-7007	525i	2.5L L6 F/I - E60, E61	33-2292 ♦♦	PS-7007
530i	3.0L L6 F/I - E60, E61	33-2292+	PS-7007	525i	2.5L L6 F/I - US	33-2070	PS-7007
530i	3.0L L6 F/I - US	33-2292	PS-7007	530i	3.0L L6 F/I		PS-7007
540i	4.4L V8 F/I	33-2142		530i	3.0L L6 F/I - E39	33-2070+	PS-7007
545i	4.4L V8 F/I	33-2294+		530i	3.0L L6 F/I - E60	33-2292+	PS-7007
645Ci	4.4L V8 F/I	33-2294+		530i	3.0L L6 F/I - US	33-2070	PS-7007
745i	4.4L V8 F/I	33-2254		540i	4.4L V8 F/I	33-2142	PS-7006
745Li	4.4L V8 F/I	33-2254		545i	4.4L V8 F/I	33-2294+	
F650CS	652	BM-6507		745i	4.4L V8 F/I	33-2254	
F650CS ABS	652	BM-6507		745Li	4.4L V8 F/I	33-2254	
F650GS Dakar ABS	652	BM-6501	KN-151	760Li	6.0L V12 F/I	33-2254*	
K1200GT	1157	BM-1299		F650CS	652	BM-6507	
K1200LT	1170		KN-163	F650CS ABS	652	BM-6507	KN-151
K1200RS	1200	BM-1299	KN-163	F650GS	650	BM-6501	KN-151
K1200RS SE	1200		KN-163	F650GS ABS	650	BM-6501	KN-151
M3	3.2L L6 F/I	33-2231 ♦		F650GS Dakar	650	BM-6501	KN-151
M5	5.0L V8 F/I	33-2142*		F650GS Dakar ABS	650	BM-6501	KN-151
R1100S	1100		KN-163	K1200GT	1157	BM-1299	
R1100S ABS	1100	BM-1199	KN-163	K1200LT	1200	BM-1299	KN-163
R1100S Boxer Cup Replica	1100	BM-1199	KN-163	K1200LT Exodus	1200	BM-1299	KN-163
R1100S Prep	1100		KN-163	K1200RS	1200	BM-1299	KN-163
R1150GS	1150		KN-163	K1200RS SE	1200		KN-163
R1150GS Adventure	1150	BM-0400	KN-163	M3	3.2L L6 F/I	33-2231 ♦	
R1150R	1150	BM-0400	KN-163	M5	4.9L V8 F/I		PS-7006
R1150R Rockster	1150	BM-0400	KN-163	M5	5.0L V8 F/I	33-2142*	PS-7006
R1150R Rockster Edition 80	1150	BM-0400	KN-163	R1100S Boxer Cup Replica	1100	BM-1199	KN-163
R1150RS	1150	BM-0400	KN-163	R1150GS	1150		KN-163
R1150RT	1150	BM-0400	KN-163	R1150GS Adventure	1150	BM-0400	KN-163
R1200C	1200	BM-1298	KN-163	R1150GS Sport	1150	BM-0400	KN-163
R1200C Classic	1200		KN-163	R1150R	1150	BM-0400	KN-163
R1200C Independent	1200		KN-163	R1150RS	1150	BM-0400	KN-163
R1200C Montauk	1200	BM-1298	KN-163	R1150RT	1150	BM-0400	KN-163
R1200C Phoenix	1200		KN-163	R1200C Classic	1200	BM-1298	KN-163
R1200CL	1200	BM-1298	KN-163	R1200CL	1200	BM-1298	KN-163
R1200GS	1170	BM-1204	KN-164	X5	3.0L L6 DSL	E-2657	
X3	2.5L L6 F/I		PS-7007	X5	3.0L L6 F/I	33-2255	PS-7007
				X5	4.4L V8 F/I	33-2149	PS-7006
				X5	4.6L V8 F/I	33-2149	PS-7006

* 2 filters required ♦ Intake System Available - see page 81 +Cabin Air Filter Available - see page 453 1- Pro Series Filter Available

AIR & OIL FILTERS

BMW

Vehicle	Engine Type	Air Filter	Oil Filter
2003 BMW			
Z4	2.2L L6 F/I	33-2070 ♦	
Z4	2.5L L6 F/I	33-2070	PS-7007
Z4	3.0L L6 F/I	33-2070	PS-7007
2002 BMW			
318i	2.0L L4 F/I	E-2232	
320i	2.2L L6 F/I	33-2231 ♦	PS-7007
325Ci	2.5L L6 F/I	33-2231 ♦	PS-7007
325i	2.5L L6 F/I	33-2231 ♦	PS-7007
325Ti	2.5L L6 F/I	33-2231 ♦	
325Xi	2.5L L6 F/I	33-2231 ♦	PS-7007
330Ci	3.0L L6 F/I	33-2231 ♦	PS-7007
330i	3.0L L6 F/I	33-2231 ♦	PS-7007
330Xi	3.0L L6 F/I	33-2231 ♦	PS-7007
525i	2.5L L6 F/I	33-2070 ♦	PS-7007
530i	3.0L L6 F/I	33-2070	PS-7007
540i	4.4L V8 F/I	33-2142	PS-7006
745i	4.4L V8 F/I	33-2254	
745Li	4.4L V8 F/I	33-2254	
F650GS	650	BM-6501	KN-151
F650GS ABS	650	BM-6501	KN-151
F650GS Dakar	650	BM-6501	KN-151
F650GS Dakar ABS	650	BM-6501	KN-151
K1200LT	1200	BM-1299	KN-163
K1200LT ABS	1200	BM-1299	KN-163
K1200LT Lux	1200	BM-1299	KN-163
K1200LT SE	1200	BM-1299	KN-163
K1200LTC	1200	BM-1299	KN-163
K1200RS	1200	BM-1299	KN-163
K1200RS SE	1200		KN-163
M3	3.2L L6 F/I	33-2231 ♦	
M5	4.9L V8 F/I		PS-7006
M5	5.0L V8 F/I	33-2142*	PS-7006
R1100S	1100	BM-1199	KN-163
R1100S ABS	1100	BM-1199	KN-163
R1100S Boxer Cup	1100	BM-1199	KN-163
R1150GS	1150	BM-0400	KN-163
R1150GS Adventure	1150	BM-0400	KN-163
R1150R	1150	BM-0400	KN-163
R1150RS	1150	BM-0400	KN-163
R1150RS SE	1150		KN-163
R1150RT	1150	BM-0400	KN-163
X5	3.0L L6 DSL	E-2657	
X5	3.0L L6 F/I	33-2255	PS-7007
X5	4.4L V8 F/I	33-2149	PS-7006
X5	4.6L V8 F/I	33-2149	PS-7006
Z3	2.5L L6 F/I	33-2070	PS-7007
Z3	3.0L L6 F/I	33-2070 ♦	PS-7007
Z3	3.2L L6 F/I	33-2070	
2001 BMW			
320i	2.2L L6 F/I	33-2231 ♦	PS-7007
323i	2.5L L6 F/I		PS-7007
325Ci	2.5L L6 F/I	33-2231 ♦	PS-7007
325i	2.5L L6 F/I	33-2231 ♦	PS-7007
325Ti	2.5L L6 F/I	33-2231 ♦	PS-7007
325Xi	2.5L L6 F/I	33-2231 ♦	PS-7007
330Ci	3.0L L6 F/I	33-2231 ♦	PS-7007
330i	3.0L L6 F/I	33-2231 ♦	PS-7007
330Xi	3.0L L6 F/I	33-2231 ♦	PS-7007
525i	2.5L L6 F/I	33-2070 ♦	PS-7007
530i	3.0L L6 F/I	33-2070	PS-7007
540i	4.4L V8 F/I	33-2142	PS-7006
740i	4.4L V8 F/I - Non-US	33-2675	PS-7006
740i	4.4L V8 F/I - US	33-2142	PS-7006
740iL	4.4L V8 F/I		PS-7006
740iL	4.4L V8 F/I - Non-US	33-2675	PS-7006
740iL	4.4L V8 F/I - US	33-2142	PS-7006
750iL	5.4L V12 F/I	33-2255*	
K1200LT	1200	BM-1299	KN-163
K1200LTC	1200	BM-1299	KN-163
K1200LTI Icon	1200	BM-1299	KN-163
K1200LTS	1200	BM-1299	KN-163
K1200RS	1200	BM-1299	KN-163
M3	3.2L L6 F/I	33-2231	

Vehicle	Engine Type	Air Filter	Oil Filter
2001 BMW			
740i	4.4L V8 F/I - US	33-2142	PS-7006
740iL	4.0L V8 F/I		PS-7006
740iL	4.0L V8 F/I - Non-US	33-2675	PS-7006
740iL	4.4L V8 F/I		PS-7006
740iL	4.4L V8 F/I - Non-US	33-2675	PS-7006
740iL	4.4L V8 F/I - US	33-2142	PS-7006
745i	4.4L V8 F/I	33-2254	
750iL	5.4L V12 F/I	33-2255*	
F650GS	650	BM-6501	KN-151
F650GS ABS	650	BM-6501	KN-151
F650GS Dakar	650	BM-6501	KN-151
K1200LT	1200	BM-1299	KN-163
K1200LTC	1200	BM-1299	KN-163
K1200LTI Icon	1200	BM-1299	KN-163
K1200RS	1200	BM-1299	KN-163
M3	3.2L L6 F/I	33-2231 ♦	
M5	4.9L V8 F/I		PS-7006
M5	5.0L V8 F/I	33-2142*	PS-7006
R1100RT	1100	BM-0400	KN-163
R1100S	1100	BM-1199	KN-163
R1100SA	1100	BM-1199	KN-163
R1150GS	1150	BM-0400	KN-163
R1150RT	1150	BM-0400	KN-163
R1200C Avantgarde	1200		KN-163
R1200C Classic	1200	BM-1298	KN-163
R1200C Independent	1200	BM-1298	KN-163
R1200C Phoenix	1200		KN-163
X5	3.0L L6 DSL	E-2657	
X5	3.0L L6 F/I	33-2255	PS-7007
X5	4.4L V8 F/I	33-2149	PS-7006
Z3	2.5L L6 F/I	33-2070	PS-7007
Z3	3.0L L6 F/I	33-2070 ♦	PS-7007
Z3	3.2L L6 F/I	33-2070 ♦	
2000 BMW			
316i	1.9L L4 F/I	33-2231 ♦	
318Ci	1.9L L4 F/I	33-2231 ♦	
318i	1.9L L4 F/I	33-2231 ♦	
323Ci	2.5L L6 F/I	33-2231 ♦	PS-7007
323i	2.5L L6 F/I	33-2231 ♦	PS-7007
325Ci	2.5L L6 F/I	33-2231 ♦	
325i	2.5L L6 F/I	33-2231 ♦	PS-7007
328Ci	2.8L L6 F/I	33-2231 ♦	PS-7007
328i	2.8L L6 F/I	33-2231 ♦	PS-7007
330Ci	3.0L L6 F/I	33-2231 ♦	
330i	3.0L L6 F/I	33-2231 ♦	
525i	2.5L L6 F/I	33-2070 ♦	PS-7007
525td	2.5L L6 DSL	33-2706	
525tds	2.5L L6 DSL	33-2706	
528i	2.8L L6 F/I	33-2070 ♦	PS-7007
530i	3.0L L6 F/I	33-2070	PS-7007
540i	4.4L V8 F/I	33-2142	PS-7006
740i	4.4L V8 F/I		PS-7006
740i	4.4L V8 F/I - Non-US	33-2675	PS-7006
740i	4.4L V8 F/I - US	33-2142	PS-7006
740iL	4.4L V8 F/I		PS-7006
740iL	4.4L V8 F/I - Non-US	33-2675	PS-7006
740iL	4.4L V8 F/I - US	33-2142	PS-7006
750iL	5.4L V12 F/I	33-2255*	
K1200LT	1200	BM-1299	KN-163
K1200LTC	1200	BM-1299	KN-163
K1200LTI Icon	1200	BM-1299	KN-163
K1200LTS	1200	BM-1299	KN-163
K1200RS	1200	BM-1299	KN-163
M3	3.2L L6 F/I	33-2231	

* 2 filters required ♦ Intake System Available - see page 81 +Cabin Air Filter Available - see page 453 1- Pro Series Filter Available

Partial Listing - Complete List of Vehicles and Applications at knfilters.com

BMW

AIR & OIL FILTERS

Vehicle	Engine Type	Air Filter	Oil Filter	Vehicle	Engine Type	Air Filter	Oil Filter
2000 BMW				1999 BMW			
M5	4.9L V8 F/I		PS-7006	M Coupe	3.2L L6 F/I	33-2070	
M5	5.0L V8 F/I	33-2142*	PS-7006	M3	3.0L L6 F/I	33-2070 ♦	
R1100R	1100	BM-0400	KN-163	M3	3.2L L6 F/I	33-2070 ♦	
R1100R ABS	1100	BM-0400	KN-163	R1100R	1100	BM-0400	KN-163
R1100RS ABS	1100	BM-0400	KN-163	R1100R SE	1100	BM-0400	KN-163
R1100RS Special Edition	1100	BM-0400	KN-163	R1100RS ABS	1100	BM-0400	KN-163
R1100RT	1100	BM-0400	KN-163	R1100RT	1100	BM-0400	KN-163
R1100RT SE	1100	BM-0400	KN-163	R1100S	1100	BM-1199	KN-163
R1100S	1100	BM-1199	KN-163	R1100S ABS	1100	BM-1199	KN-163
R1100SA	1100	BM-1199	KN-163	R1200C	1170	BM-1298	KN-163
R1100SA SE	1100	BM-1199	KN-163	R1200C Classic	1170	BM-1298	KN-163
R1150GS	1150	BM-0400	KN-163	R1200C Cruiser	1170	BM-1298	KN-163
R1200C Classic	1170		KN-163	R1200C Euro	1170	BM-1298	KN-163
R1200C Cruiser	1170		KN-163	Z3	1.9L L4 F/I	33-2733 ♦	
R1200C Euro	1170	BM-1298	KN-163	Z3	2.5L L6 F/I	33-2070	PS-7007
X5	3.0L L6 F/I	33-2255		Z3	2.8L L6 F/I	33-2070 ♦	PS-7007
X5	4.4L V8 F/I	33-2149		Z3	3.2L L6 F/I	33-2070 ♦	
Z3	2.2L L6 F/I	33-2070 ♦	PS-7007	1998 BMW			
Z3	2.5L L6 F/I	33-2070	PS-7007	318i	1.8L L4 F/I	33-2733 ♦	
Z3	2.8L L6 F/I	33-2070 ♦	PS-7007	318i	1.9L L4 F/I - Non-US	33-2231 ♦	
Z3	3.0L L6 F/I	33-2070 ♦	PS-7007	318i	1.9L L4 F/I - US	33-2733 ♦	
Z3	3.2L L6 F/I	33-2070 ♦		318iS	1.9L L4 F/I	33-2733 ♦	
1999 BMW				318ti	1.9L L4 F/I	33-2733 ♦	
316i	1.9L L4 F/I	33-2231 ♦		320i	2.0L L6 F/I - E36	33-2070 ♦	
318i	1.9L L4 F/I	33-2231 ♦		320i	2.0L L6 F/I - E46	33-2231 ♦	
318iS	1.9L L4 F/I	33-2733 ♦		323Ci	2.5L L6 F/I	33-2070 ♦	PS-7007
323Ci	2.5L L6 F/I	33-2070 ♦		323i	2.5L L6 F/I		PS-7007
323Ci	2.5L L6 F/I - E46	33-2231 ♦		323i	2.5L L6 F/I - E36	33-2070 ♦	PS-7007
323i	2.5L L6 F/I		PS-7007	323i	2.5L L6 F/I - E46	33-2231 ♦	PS-7007
323i	2.5L L6 F/I - E36	33-2070 ♦	PS-7007	323i	2.5L L6 F/I - US	33-2070	PS-7007
323i	2.5L L6 F/I - E46	33-2231 ♦	PS-7007	323iS	2.5L L6 F/I	33-2070 ♦	PS-7007
323iS	2.5L L6 F/I	33-2070 ♦	PS-7007	325i	2.5L L6 F/I	33-2070 ♦	
325i	2.5L L6 F/I	33-2070 ♦		325tds	2.5L L6 DSL	33-2706	
325tds	2.5L L6 DSL	33-2706		328i	2.8L L6 F/I		PS-7007
328i	2.8L L6 F/I		PS-7007	328i	2.8L L6 F/I - Non-US, E36	33-2070 ♦	PS-7007
328i	2.8L L6 F/I - Non-US, E36	33-2070 ♦	PS-7007	328i	2.8L L6 F/I - Non-US, E46	33-2231 ♦	PS-7007
328i	2.8L L6 F/I - Non-US, E46	33-2231 ♦	PS-7007	328i	2.8L L6 F/I - US	33-2070 ♦	PS-7007
328i	2.8L L6 F/I - US	33-2070 ♦	PS-7007	328ic	2.8L L6 F/I - US	33-2070 ♦	PS-7007
328ic	2.8L L6 F/I		PS-7007	328iS	2.8L L6 F/I	33-2070 ♦	PS-7007
328ic	2.8L L6 F/I - US, E36	33-2070 ♦	PS-7007	525td	2.5L L6 DSL	33-2706	
328iS	2.8L L6 F/I		PS-7007	525tds	2.5L L6 DSL	33-2706	
328iS	2.8L L6 F/I - US	33-2070 ♦	PS-7007	528i	2.8L L6 F/I	33-2070 ♦	PS-7007
525tds	2.5L L6 DSL	33-2706		540i	4.4L V8 F/I	33-2142	PS-7006
528i	2.8L L6 F/I	33-2070 ♦	PS-7007	740i	4.4L V8 F/I	33-2675	PS-7006
540i	4.4L V8 F/I	33-2142	PS-7006	740iL	4.4L V8 F/I	33-2675	PS-7006
740i	4.4L V8 F/I - Non-US	33-2675		740iL	4.4L V8 F/I	33-2675	PS-7006
740i	4.4L V8 F/I - US	33-2142		750iL	5.4L V12 F/I	33-2255*	
740iL	4.4L V8 F/I		PS-7006	F650 Funduro	650		KN-151
740iL	4.4L V8 F/I - Non-US	33-2675	PS-7006	K1200RS	1200	BM-1299	KN-163
740iL	4.4L V8 F/I - US	33-2142	PS-7006	M3	3.0L L6 F/I	33-2070 ♦	
750iL	5.4L V12 F/I	33-2255*		M3	3.2L L6 F/I	33-2070 ♦	
F650	650		KN-151	R1100GS ABS	1100	BM-0400	KN-163
F650 Enduro	650		KN-151	R1100RS ABS	1100	BM-0400	KN-163
F650 Funduro	650		KN-151	R1100RT	1100	BM-0400	
F650 SE	650		KN-151	R1200C	1170	BM-1298	KN-163
F650ST	650		KN-151	R1200C Classic	1170	BM-1298	KN-163
K1200LT	1200	BM-1299	KN-163	R1200C Cruiser	1170	BM-1298	
K1200LTC	1200	BM-1299	KN-163	R1200C Euro	1170	BM-1298	KN-163
K1200LTI Icon	1200	BM-1299	KN-163	Z3	1.9L L4 F/I	33-2733 ♦	
K1200LTS	1200	BM-1299	KN-163	Z3	2.8L L6 F/I	33-2070 ♦	PS-7007
K1200RS	1200	BM-1299	KN-163	Z3	3.2L L6 F/I	33-2070 ♦	
K1200RS Dakar	1200	BM-1299	KN-163				

* 2 filters required ♦ Intake System Available - see page 81 +Cabin Air Filter Available - see page 453 1- Pro Series Filter Available

AIR & OIL FILTERS

BMW

Vehicle	Engine Type	Air Filter	Oil Filter	Vehicle	Engine Type	Air Filter	Oil Filter
1997 BMW				1995 BMW			
318i	1.8L L4 F/I	33-2733 ♦		318iS	1.8L L4 F/I	33-2733 ♦	
318i	1.9L L4 F/I - Non-US	33-2231		318iS	1.9L L4 F/I	33-2733	
318i	1.9L L4 F/I - US	33-2733		318ti	1.8L L4 F/I	33-2733 ♦	
318iC	1.9L L4 F/I - US	33-2733		325Ci	2.5L L6 F/I	33-2070 ♦	
318iS	1.8L L4 F/I	33-2733		325i	2.5L L6 F/I	33-2070 ♦	
318iS	1.9L L4 F/I	33-2733 ♦		325iS	2.5L L6 F/I	33-2070 ♦	
318ti	1.9L L4 F/I	33-2733 ♦		328i	2.8L L6 F/I	33-2070 ♦	PS-7007
323iS	2.5L L6 F/I	33-2070 ♦		525i	2.5L L6 F/I	33-2078 ♦	
325i	2.5L L6 F/I	33-2070 ♦	PS-7007	525iT	2.5L L6 F/I	33-2078	
328Ci	2.8L L6 F/I	33-2070 ♦		525iX	2.5L L6 F/I	33-2078	
328i	2.8L L6 F/I	33-2070 ♦	PS-7007	525tds	2.5L L6 DSL - Left Hand Drive	33-2706	
328iS	2.8L L6 F/I	33-2070 ♦	PS-7007	530i	3.0L V8 F/I	33-2675	
528i	2.8L L6 F/I	33-2070	PS-7007	530i	3.0L V8 F/I - w/ Plastic Center Tube	33-2675	PS-7006
540i	4.4L V8 F/I	33-2142	PS-7006	530iT	3.0L V8 F/I	33-2675	PS-7006
740i	4.4L V8 F/I	33-2675		540i	4.0L V8 F/I	33-2675	
740iL	4.0L V8 F/I	33-2675	PS-7006	540i	4.0L V8 F/I - w/ Plastic Center Tube	33-2675	PS-7006
740iL	4.4L V8 F/I	33-2675	PS-7006	740i	4.0L V8 F/I	33-2675	
F650 Funduro	650		KN-151	740i	4.0L V8 F/I - w/ Plastic Center Tube	33-2675	PS-7006
F650ST	650		KN-151	740iL	4.0L V8 F/I	33-2675	
K1100LT	1100		KN-163	740iL	4.0L V8 F/I - w/ Plastic Center Tube	33-2675	PS-7006
K1100LT ABS Special Edition	1100		KN-163	740iL	4.0L V8 F/I - w/ Plastic Center Tube	33-2675	PS-7006
K1100LT High Line	1100	BM-2605	KN-163	M3	3.0L L6 F/I	33-2070 ♦	
M3	3.0L L6 F/I	33-2070 ♦		M3	3.2L L6 F/I	33-2070 ♦	
M3	3.2L L6 F/I	33-2070 ♦		R1100GS ABS	1100	BM-0400	KN-163
R1100R	1100		KN-163	R1100R	1100		KN-163
R1100R ABS	1100		KN-163	R1100R ABS	1100		KN-163
R1100RS ABS	1100	BM-0400	KN-163	R1100RA/S ABS	1100		KN-163
R1100RT	1100	BM-0400		R1100RS ABS	1100	BM-0400	KN-163
R1100RTL	1100	BM-0400		R1100RS ABS Special Edition	1100	BM-0400	KN-163
Z3	1.9L L4 F/I	33-2733 ♦		R1100RSL	1100	BM-0400	
Z3	2.8L L6 F/I	33-2070 ♦	PS-7007	R1100RSL ABS Special Edition	1100	BM-0400	
1996 BMW				1994 BMW			
318i	1.8L L4 F/I	33-2733 ♦		318i	1.8L L4 F/I	33-2059 ♦	
318i	1.9L L4 F/I - Non-US	33-2231		318iC	1.8L L4 F/I	33-2059	
318i	1.9L L4 F/I - US	33-2733		318iS	1.8L L4 F/I - Non-US	33-2733 ♦	
318iC	1.9L L4 F/I - US	33-2733		318iS	1.8L L4 F/I - US	33-2059	
318iS	1.8L L4 F/I	33-2733		325Ci	2.5L L6 F/I	33-2070 ♦	
318iS	1.9L L4 F/I	33-2733 ♦		325i	2.5L L6 F/I	33-2070 ♦	
318tds	1.8L L4 DSL	33-2745		325iS	2.5L L6 F/I	33-2070 ♦	
318ti	1.9L L4 F/I	33-2733 ♦		325td	2.5L L6 DSL	33-2706	
320i	2.0L L6 F/I	33-2070 ♦		325tds	2.5L L6 DSL	33-2706	
325i	2.5L L6 F/I	33-2070 ♦		525i	2.5L L6 F/I	33-2078 ♦	
328i	2.8L L6 F/I	33-2070 ♦	PS-7007	525iT	2.5L L6 F/I	33-2078	
328iS	2.8L L6 F/I	33-2070 ♦	PS-7007	525iX	2.5L L6 F/I	33-2078	
725tds	2.5L L6 DSL	33-2706		530i	3.0L V8 F/I	33-2675	PS-7006
K1100RS	1100	BM-2605		530i	3.0L V8 F/I - w/ Plastic Center Tube	33-2675	PS-7006
K1100RS SE	1100	BM-2605		530iT	3.0L V8 F/I	33-2675	PS-7006
M3	3.0L L6 F/I	33-2070 ♦		540i	4.0L V8 F/I	33-2675	
M3	3.2L L6 F/I	33-2070 ♦		540i	4.0L V8 F/I - w/ Plastic Center Tube	33-2675	PS-7006
R850R	832		KN-163	740i	4.0L V8 F/I	33-2675	
R850R ABS	832	BM-0400	KN-163	740iL	4.0L V8 F/I	33-2675	
R1100R ABS	1100	BM-0400	KN-163	740iL	4.0L V8 F/I - w/ Plastic Center Tube	33-2675	PS-7006
R1100RS ABS	1100	BM-0400	KN-163	K1100LT	1100	BM-2605	KN-163
R1100RT	1100	BM-0400		K1100LT ABS Special Edition	1100	BM-2605	KN-163
R1100RTL	1100	BM-0400		M3	3.0L L6 F/I	33-2070 ♦	
Z3	1.9L L4 F/I	33-2733 ♦		R1100RS	1100	BM-0400	KN-163
1995 BMW							
318i	1.8L L4 F/I - Non-US, from 9/95	33-2733 ♦					
318i	1.8L L4 F/I - Non-US, to 8/95	33-2059 ♦					
318i	1.8L L4 F/I - US	33-2733					
318iC	1.8L L4 F/I	33-2733					

* 2 filters required ♦ Intake System Available - see page 81 +Cabin Air Filter Available - see page 453 1- Pro Series Filter Available

Partial Listing - Complete List of Vehicles and Applications at knfilters.com

BMW

AIR & OIL FILTERS

Vehicle	Engine Type	Air Filter	Oil Filter	Vehicle	Engine Type	Air Filter	Oil Filter
1994 BMW				1991 BMW			
R1100RS ABS	1100	BM-0400	KN-163	850i	5.0L V12 F/I	33-2059*	
R1100RS ABS Special Edition	1100	BM-0400	KN-163	850i	5.0L V12 F/I - w/ Plastic Center Tube	33-2059*	PS-7006
R1100RSL	1100	BM-0400		K75S	750		KN-163
R1100RSL ABS Special Edition	1100	BM-0400		K75S ABS	750		KN-163
1993 BMW				1990 BMW			
318i	1.8L L4 F/I - US	33-2059		318iS	1.8L L4 F/I	33-2059	
318iS	1.8L L4 F/I - Non-US, from 12/93	33-2733 ♦		325i	2.5L L6 F/I	33-2059 ♦	HP-2005 ¹
318iS	1.8L L4 F/I - Non-US, to 11/93	33-2059 ♦		325iS	2.5L L6 F/I	33-2059	HP-2005 ¹
318iS	1.8L L4 F/I - US	33-2059		325iX	2.5L L6 F/I	33-2059 ♦	HP-2005 ¹
325i	2.5L L6 F/I - Non-US, 12v		HP-2005 ¹	525i	2.5L L6 F/I - 170BHP	33-2059 ♦	
325i	2.5L L6 F/I - Non-US, E30	33-2059 ♦		525i	2.5L L6 F/I - 192BHP	33-2078 ♦	
325i	2.5L L6 F/I - Non-US, E36	33-2070 ♦		525i	2.5L L6 F/I - US	33-2059	HP-2005 ¹
325i	2.5L L6 F/I - US	33-2070 ♦		535i	3.5L L6 F/I	33-2573 ♦	
325i	2.5L L6 F/I - US, SOHC		HP-2005 ¹	K75RT	750	BM-2605	KN-163
325iS	2.5L L6 F/I	33-2070 ♦		K75S	750		KN-163
325iX	2.5L L6 F/I	33-2059 ♦		M3	2.3L L4 F/I	33-2005	
525i	2.5L L6 F/I	33-2078 ♦		1989 BMW			
525iT	2.5L L6 F/I	33-2078		318i	1.8L L4 F/I	33-2059 ♦	
525iX	2.5L L6 F/I	33-2078		318iS	1.8L L4 F/I	33-2059	
740i	4.0L V8 F/I	33-2675		325i	2.5L L6 F/I	33-2059 ♦	HP-2005 ¹
740i	4.0L V8 F/I - w/ Plastic Center Tube	33-2675	PS-7006	325iS	2.5L L6 F/I	33-2059	HP-2005 ¹
740iL	4.0L V8 F/I	33-2675		325iX	2.5L L6 F/I	33-2059 ♦	HP-2005 ¹
740iL	4.0L V8 F/I - w/ Plastic Center Tube	33-2675	PS-7006	525i	2.5L L6 F/I		HP-2005 ¹
1992 BMW				525i	2.5L L6 F/I - 170BHP	33-2059 ♦	HP-2005
318i	1.8L L4 F/I	33-2059 ♦		525i	2.5L L6 F/I - 192BHP	33-2078 ♦	HP-2005
318iC	1.8L L4 F/I	33-2059		525i	2.5L L6 F/I - US	33-2059	HP-2005 ¹
318iS	1.8L L4 F/I	33-2059		535i	3.5L L6 F/I	33-2573 ♦	
325i	2.5L L6 F/I	33-2070 ♦		635CSi	3.5L L6 F/I	33-2005	
325i	2.5L L6 F/I - 12v	33-2070	HP-2005 ¹	K100LT ABS	1000		KN-163
325i	2.5L L6 F/I - E30	33-2059 ♦		K100RS ABS	1000		KN-163
325i	2.5L L6 F/I - E36	33-2070 ♦		M3	2.3L L4 F/I	33-2005	
325i	2.5L L6 F/I - SOHC	33-2070	HP-2005 ¹	1988 BMW			
325iS	2.5L L6 F/I	33-2070 ♦		318i	1.8L L4 F/I	33-2059 ♦	
325iX	2.5L L6 F/I	33-2059 ♦		325e	2.7L L6 F/I	33-2059	HP-2005 ¹
525i	2.5L L6 F/I	33-2078 ♦		325i	2.5L L6 F/I	33-2059 ♦	HP-2005 ¹
525iX	2.5L L6 F/I	33-2078		325iS	2.5L L6 F/I	33-2059	HP-2005 ¹
K75RT	750	BM-2605	KN-163	325iX	2.5L L6 F/I	33-2059 ♦	HP-2005 ¹
K75RT ABS	750	BM-2605	KN-163	535iS	3.5L L6 F/I	33-2005	
K75S	750		KN-163	635CSi	3.5L L6 F/I	33-2005	
K75S ABS	750		KN-163	735i	3.5L L6 F/I	33-2573	
1991 BMW				735iL	3.5L L6 F/I	33-2573	
318i	1.8L L4 F/I	33-2059 ♦		K75C	750	BM-2605	KN-163
318iC	1.8L L4 F/I	33-2059		M3	2.3L L4 F/I	33-2005	
318iS	1.8L L4 F/I	33-2059		M5	3.5L L6 F/I - Non-US	33-2078 ♦	
325i	2.5L L6 F/I	33-2059	HP-2005 ¹	M5	3.5L L6 F/I - US	33-2559 ♦	
325i	2.5L L6 F/I - E30	33-2059 ♦	HP-2005	M6	3.5L L6 F/I	33-2559	
325i	2.5L L6 F/I - E36	33-2070 ♦	HP-2005	M635CSi	3.5L L6 F/I	33-2559	
325iX	2.5L L6 F/I	33-2059 ♦		1987 BMW			
525i	2.5L L6 F/I - 170BHP	33-2078 ♦		325	2.7L L6 F/I		HP-2005 ¹
525i	2.5L L6 F/I - 192BHP	33-2059 ♦		325e	2.7L L6 F/I	33-2059	HP-2005 ¹
525i	2.5L L6 F/I - US	33-2059		325i	2.5L L6 F/I	33-2059 ♦	HP-2005 ¹
525i	2.5L L6 F/I - US, M20 Eng.		HP-2005 ¹	325iS	2.5L L6 F/I	33-2059	HP-2005 ¹
525i	2.5L L6 F/I - US, M50 Eng.		PS-7006	325iX	2.5L L6 F/I	33-2059 ♦	
525iX	2.5L L6 F/I	33-2078		535i	3.5L L6 F/I	33-2005	
535i	3.5L L6 F/I	33-2573 ♦		635CSi	3.5L L6 F/I	33-2005	
				K75C	750		KN-163
				K75S	750		KN-163
				K100RS	1000		KN-163
				M635CSi	3.5L L6 F/I	33-2559	

* 2 filters required ♦ Intake System Available - see page 81 +Cabin Air Filter Available - see page 453 1- Pro Series Filter Available

AIR & OIL FILTERS

BMW

Vehicle	Engine Type	Air Filter	Oil Filter
1986 BMW			
325e	2.7L L6 F/I	33-2059	HP-2005 ¹
325i	2.5L L6 F/I	33-2059 ♦	
325iX	2.5L L6 F/I	33-2059 ♦	
535i	3.5L L6 F/I	33-2005	
R80RT	800	BM-0300	KN-161
1985 BMW			
318i	1.8L L4 F/I	33-2005 ♦	
325e	2.7L L6 F/I	33-2005	HP-2005 ¹
325i	2.5L L6 F/I	33-2059 ♦	
528E	2.7L L6 F/I	33-2005	
535i	3.5L L6 F/I	33-2005	
635CSi	3.5L L6 F/I	33-2005	
K100	1000		KN-163
K100LT	1000		KN-163
K100RS	1000	BM-2605	KN-163
K100RT	1000	BM-2605	KN-163
1984 BMW			
318i	1.8L L4 F/I	33-2005 ♦	
325e	2.7L L6 F/I	33-2005	
R100RT	1000	BM-0300	
1983 BMW			
320i	1.8L L4 F/I	33-2005	
320i	2.0L L6 F/I	33-2005 ♦	
K100	1000	BM-2605	KN-163
K100LT	1000	BM-2605	KN-163
K100RS	1000	BM-2605	KN-163
K100RT	1000	BM-2605	KN-163
R65LS	650	BM-0300	
R80RT	800	BM-0200	
R100RS	1000	BM-0300	
1982 BMW			
320i	1.8L L4 F/I	33-2005	
320i	2.0L L6 F/I	33-2005 ♦	
R65LS	650	BM-0300	KN-161
R100RS	1000	BM-0300	
R100RT	1000	BM-0300	
1981 BMW			
320i	1.8L L4 F/I	33-2005	
1979 BMW			
635CSi	3.5L L6 F/I	33-2005	
1978 BMW			
R80/7	800	BM-0200	
R100/7	1000	BM-0200	
1977 BMW			
1502	1.6L L4 CARB	E-2630	
R100/7	1000	BM-0200	
1976 BMW			
2002tii	2.0L L4 F/I	E-2290	
R75/6	750	BM-0200	
R90/6	900	BM-0200	KN-161
1975 BMW			
2002	2.0L L4 CARB - Non-US	E-2630	
2002tii	2.0L L4 F/I	E-2290	
R90/6	900	BM-0200	KN-161
R90S	900	BM-0200	
1974 BMW			
3.0CSi	3.0L L6 F/I	E-2630*	

Vehicle	Engine Type	Air Filter	Oil Filter
1974 BMW			
3.0CSi	3.0L L6 F/I - until Vin 3223675	33-2530	
2002	2.0L L4 F/I - w/Auto Trans.	E-2850	
2002	2.0L L4 F/I - w/Manual Trans.	E-2630	
2002tii	2.0L L4 F/I	E-2290	
1973 BMW			
2002	2.0L L4 F/I - w/Auto Trans.	E-2850	
2002	2.0L L4 F/I - w/Manual Trans.	E-2630	
2002tii	2.0L L4 F/I	E-2290	
R75/5	750	BM-0200	KN-161
1972 BMW			
2002	2.0L L4 CARB	E-2630	
2002tii	2.0L L4 F/I	E-2290	
R75/5	750	BM-0200	KN-161
1971 BMW			
2002tii	2.0L L4 F/I	E-2630	
R75/5	750	BM-0200	KN-161
2006 BOMBARDIER			
DS650X	644	BD-6500	KN-152
Outlander 400 HO 4x4	400	BD-3303	KN-152
Outlander 400 HO 4x4 XT	400	BD-3303	KN-152
Outlander 650 HO 4x4 EFI XT	650	BD-6506	KN-152
Outlander 650 HO EFI 4x4	650	BD-6506	
Outlander 800 HO 4x4 EFI	800	BD-6506	KN-152
Outlander 800 HO 4x4 EFI XT	800	BD-6506	KN-152
Outlander Max 400 HO	400	BD-3303	KN-152
Outlander Max 400 HO XT	400	BD-3303	KN-152
Outlander Max 650 HO EFI 4x4 XT	650	BD-6506	
Outlander Max 800 HO EFI 4x4	800	BD-6506	KN-152
Outlander Max 800 HO EFI 4x4 XT	800	BD-6506	KN-152
2005 BOMBARDIER			
DS650X	644	BD-6500	KN-152
Outlander 400 HO 4x4	400	BD-3303	KN-152
Outlander 400 HO 4x4 XT	400	BD-3303	KN-152
Outlander Max 400 HO XT	400	BD-3303	KN-152
Traxter 500 Auto CVT	498	BD-6502	KN-556
Traxter 650 Auto CVT	650		KN-556
Traxter 650 Auto CVT XT	650		KN-556
Traxter Max 650 Auto CVT XT	650		KN-556
2004 BOMBARDIER			
DS650	650	BD-6500	KN-152
DS650 Baja	650	BD-6500	KN-152
DS650 Baja X	650	BD-6500	KN-152
Outlander 400 HO 4x4	400	BD-3303	KN-152

* 2 filters required ♦ Intake System Available - see page 81 +Cabin Air Filter Available - see page 453 1- Pro Series Filter Available

BOMBARDIER

AIR & OIL FILTERS

Vehicle	Engine Type	Air Filter	Oil Filter
2004 BOMBARDIER			
Outlander 400 HO 4x4 XT	400	BD-3303	KN-152
Outlander Max 400 HO XT	400	BD-3303	KN-152
Quest 500	495		KN-556
Quest 650	644		KN-556
Quest 650 Max	650	BD-6502	KN-556
Traxter Max 500 XT	500	BD-6502	KN-557
2003 BOMBARDIER			
DS650	644	BD-6500	KN-152
DS650 Baja	644	BD-6500	KN-152
DS650 Racer	644	BD-6500	KN-152
Outlander 400 HO 4x4	400	BD-3303	KN-152
Outlander 400 HO 4x4 XT	400	BD-3303	KN-152
Quest 500	495		KN-556
Quest 650	644		KN-556
Quest 650 XT	650		KN-556
Traxter 500	500		KN-557
Traxter 500 Autoshift XT	500	BD-6502	KN-557
Traxter 500 XT	500		KN-557
Traxter Max 500	498		KN-557
2002 BOMBARDIER			
DS650	644	BD-6500	KN-152
DS650 Baja	644	BD-6500	KN-152
DS650 Racer	644	BD-6500	KN-152
Quest 650	644		KN-556
Quest 650 XT	650		KN-556
Traxter 500 Autoshift	498		KN-557
Traxter 500 XT	500	BD-6502	KN-557
2001 BOMBARDIER			
DS650	644	BD-6500	KN-152
DS650 Racer	644	BD-6500	KN-152
Traxter 500 Autoshift	500	BD-6502	KN-557
Traxter 500 XT	500	BD-6502	KN-557
2000 BOMBARDIER			
DS650	644	BD-6500	KN-151
DS650 Racer	644	BD-6500	KN-151
Traxter 500	498		KN-557
Traxter 500 XL	498		KN-557
Traxter 500 XT	500		KN-557
1999 BOMBARDIER			
Traxter 500 XL	500		KN-557
Traxter 500 XT	500		KN-557
2010 BUELL			
1125R	1125		BU-1108
Blast	500		BU-5000
2009 BUELL			
1125CR	1125	BU-1108	KN-564
1125R	1125	BU-1108	KN-564
Blast	500	BU-5000	KN-177
Firebolt XB12R	1168	BU-9003	KN-177
Lightning CityX XB9SX	900	BU-9003	KN-177
Lightning Long XB12SS	1200	BU-9003	KN-177
Lightning XB12SCG	1200	BU-9003	KN-177
Ulysses Police XB12XP	1200	BU-9003	
Ulysses XB12X	1168	BU-9003	KN-177

Vehicle	Engine Type	Air Filter	Oil Filter
2009 BUELL			
Ulysses XB12XT	1168	BU-9003	KN-177
2008 BUELL			
1125R	1125	BU-1108	
Blast	480	BU-5000	KN-177
Firebolt XB12R	1168	BU-9003	KN-177
Lightning CityX XB9SX	900		KN-177
Lightning Long XB12SS	1200	BU-9003	
Lightning XB12S	1200	BU-9003	KN-177
Lightning XB12SCG	1200	BU-9003	KN-177
Lightning XB12STT	1200	BU-9003	KN-177
Ulysses XB12X	1168	BU-9003	KN-177
Ulysses XB12XT	1168	BU-9003	KN-177
2007 BUELL			
Blast	480	BU-5000	KN-177
Firebolt XB12R	1168	BU-9003	KN-177
Lightning CityX XB9SX	900	BU-9003	
Lightning XB12S	1200	BU-9003	KN-177
Lightning XB12SCG	1200	BU-9003	KN-177
Lightning XB12STT	1200	BU-9003	KN-177
Ulysses XB12X	1168	BU-9003	KN-177
2006 BUELL			
Blast	480	BU-5000	KN-177
Firebolt XB9R	961	BU-9003	KN-177
Firebolt XB12R	1168	BU-9003	KN-177
Lightning CityX XB9SX	900	BU-9003	KN-177
Lightning Long XB12SS	1200	BU-9003	KN-177
Lightning XB12S	1200	BU-9003	KN-177
Lightning XB12SCG	1200	BU-9003	KN-177
Ulysses XB12X	1168	BU-9003	KN-177
2005 BUELL			
Blast	480	BU-5000	KN-177
Firebolt XB9R	961	BU-9003	
Firebolt XB12R	1168	BU-9003	KN-177
Lightning CityX XB9SX	900	BU-9003	KN-177
Lightning XB12S	1200	BU-9003	KN-177
Lightning XB12SCG	1200	BU-9003	KN-177
2004 BUELL			
Blast	480	BU-5000	KN-177
Firebolt XB12R	1168	BU-9003	KN-177
Lightning XB12S	1200	BU-9003	KN-177
2003 BUELL			
Blast	480	BU-5000	KN-177
Firebolt XB9R	961	BU-9003	KN-177
Lightning XB9S	900	BU-9003	KN-177
2002 BUELL			
Blast	480	BU-5000	KN-177
M2 Cyclone	1168	BU-1297	KN-171C
M2 Cyclone Low	1168	BU-1297	KN-171C
2001 BUELL			
Blast	480	BU-5000	KN-177
M2 Cyclone	1168	BU-1297	KN-171C
S3T Thunderbolt	1168		KN-177
X1 Lightning	1200	BU-1297	KN-171C
2000 BUELL			
Blast	480	BU-5000	KN-177

* 2 filters required ♦ Intake System Available - see page 81 +Cabin Air Filter Available - see page 453 1- Pro Series Filter Available

AIR & OIL FILTERS

BUELL

Vehicle	Engine Type	Air Filter	Oil Filter
2000 BUELL			
M2 Cyclone	1168	BU-1297	KN-171C
X1 Lightning	1200	BU-1297	KN-171C
1999 BUELL			
M2 Cyclone	1168	BU-1297	KN-171C
S3 Thunderbolt	1168		KN-171C
X1 Lightning	1200	BU-1297	KN-171C
1998 BUELL			
S1 White Lightning	1200		KN-171C
S3T Thunderbolt	1168		KN-171C
1997 BUELL			
M2 Cyclone	1168		KN-171C
1996 BUELL			
S1 Lightning	1168	BU-1297	KN-171C
1995 BUELL			
S2 Thunderbolt	1168		KN-171C
2016 BUICK			
Enclave	3.6L V6 F/I	33-2394+	HP-2011 ¹
Encore	1.4L L4 F/I	33-5007+	
LaCrosse	3.6L V6 F/I	33-2442	
Regal	2.0L L4 F/I	33-2497	HP-1017 ¹
2015 BUICK			
Enclave	3.6L V6 F/I	33-2394+	HP-2011 ¹
Encore	1.4L L4 F/I	33-5007+	PS-7027
LaCrosse	2.4L L4 F/I	33-2442+	
LaCrosse	3.6L V6 F/I	33-2442+	HP-2011 ¹
Regal	2.0L L4 F/I	33-2497+	HP-1017 ¹
Regal	2.4L L4 F/I	33-2442+	PS-7000
Verano	2.0L L4 F/I	33-2964+	PS-7000
		33-2964	PS-7000
Verano	2.4L L4 F/I	33-2966+	PS-7000
2014 BUICK			
Enclave	3.6L V6 F/I	33-2394+	HP-2011 ¹
Encore	1.4L L4 F/I	33-5007+	PS-7027
LaCrosse	2.4L L4 F/I	33-2442+	PS-7000
LaCrosse	3.6L V6 F/I	33-2442+	HP-2011 ¹
Regal	2.0L L4 F/I	33-2497+	PS-7000
Regal	2.4L L4 F/I	33-2442+	PS-7000
Verano	2.0L L4 F/I	33-2964+	PS-7000
Verano	2.4L L4 F/I	33-2966+	PS-7000
2013 BUICK			
Enclave	3.6L V6 F/I	33-2394+	HP-2011 ¹
Encore	1.4L L4 F/I	33-5007+	PS-7027
LaCrosse	2.4L L4 F/I	33-2442+	PS-7000
LaCrosse	3.6L V6 F/I	33-2442+	HP-2011 ¹
Regal	2.0L L4 F/I	33-2442♦+	PS-7000
Regal	2.4L L4 F/I	33-2442+	PS-7000
Verano	2.0L L4 F/I	33-2964+	PS-7000
Verano	2.4L L4 F/I	33-2966+	PS-7000
2012 BUICK			
Enclave	3.6L V6 F/I	33-2394+	HP-2011 ¹
LaCrosse	2.4L L4 F/I	33-2442+	PS-7000
LaCrosse	3.6L V6 F/I	33-2442+	HP-2011 ¹
Regal	2.0L L4 F/I	33-2442♦+	PS-7000
Regal	2.4L L4 F/I	33-2442+	PS-7000
Verano	2.4L L4 F/I	33-2966+	PS-7000
2011 BUICK			
Enclave	3.6L V6 F/I	33-2394+	HP-2011 ¹
LaCrosse	2.4L L4 F/I	33-2442+	PS-7000
LaCrosse	3.6L V6 F/I	33-2442+	HP-2011 ¹

Vehicle	Engine Type	Air Filter	Oil Filter
2011 BUICK			
Lucerne	3.9L V6 F/I	33-2296+	HP-2006 ¹
Regal	2.0L L4 F/I	33-2442♦+	PS-7000
Regal	2.4L L4 F/I	33-2442+	PS-7000
2010 BUICK			
Enclave	3.6L V6 F/I	33-2394+	HP-1017 ¹
LaCrosse	2.4L L4 F/I	33-2442+	
LaCrosse	3.0L V6 F/I	33-2442+	HP-1017 ¹
LaCrosse	3.6L V6 F/I	33-2442+	HP-1017 ¹
Lucerne	3.9L V6 F/I	33-2296+	HP-2006 ¹
2009 BUICK			
Enclave	3.6L V6 F/I	33-2394+	HP-1017 ¹
LaCrosse	3.8L V6 F/I	33-2316+	HP-1001 ¹
Lucerne	3.9L V6 F/I	33-2296+	HP-2006 ¹
Lucerne	4.6L V8 F/I	33-2296+	HP-2006 ¹
2008 BUICK			
Allure	3.8L V6 F/I	33-2316+	
Enclave	3.6L V6 F/I	33-2394+	HP-1017 ¹
LaCrosse	3.6L V6 F/I	33-2316+	HP-1017 ¹
LaCrosse	3.8L V6 F/I	33-2316+	HP-1001 ¹
LaCrosse	5.3L V8 F/I	33-2334+	HP-1017 ¹
Lucerne	3.8L V6 F/I	33-2296+	HP-1001 ¹
Lucerne	4.6L V8 F/I	33-2296+	HP-2006 ¹
2007 BUICK			
Allure	3.8L V6 F/I	33-2316+	HP-1001 ¹
LaCrosse	3.6L V6 F/I	33-2316+	HP-2006 ¹
LaCrosse	3.8L V6 F/I	33-2316+	HP-1001 ¹
Lucerne	3.8L V6 F/I	33-2296+	HP-1001 ¹
Lucerne	4.6L V8 F/I	33-2296+	HP-2006 ¹
Rainier	4.2L L6 F/I	E-1009	HP-2006 ¹
Rendezvous	3.5L V6 F/I	33-2318+	HP-1001 ¹
2006 BUICK			
Allure	3.8L V6 F/I		HP-1001 ¹
LaCrosse	3.6L V6 F/I	33-2316+	HP-2006 ¹
LaCrosse	3.8L V6 F/I	33-2316+	HP-1001 ¹
Lucerne	3.8L V6 F/I	33-2296+	HP-1001 ¹
Lucerne	4.6L V8 F/I	33-2296+	HP-2006 ¹
Rainier	4.2L L6 F/I	E-1009	HP-2006 ¹
Rainier	5.3L V8 F/I	E-1009	HP-1007 ¹
Rendezvous	3.5L V6 F/I	33-2318+	HP-1001 ¹
Rendezvous	3.6L V6 F/I	33-2318+	HP-2006 ¹
Terraza	3.5L V6 F/I	33-2318+	
2005 BUICK			
Allure	3.8L V6 F/I		HP-1001 ¹
Century	3.1L V6 F/I	33-2141-1+	HP-1001 ¹
LaCrosse	3.6L V6 F/I	33-2316+	HP-2006 ¹
LaCrosse	3.8L V6 F/I	33-2316+	HP-1001 ¹
LeSabre	3.8L V6 F/I	33-2141-1+	HP-1001 ¹
Park Avenue	3.8L V6 F/I	33-2086	HP-1001 ¹
Rainier	4.2L L6 F/I	E-1009	HP-2006 ¹
Rainier	5.3L V8 F/I	E-1009	HP-1007 ¹
Rendezvous	3.4L V6 F/I	33-2156+	HP-1001 ¹
Rendezvous	3.6L V6 F/I	33-2318+	HP-2006 ¹
Terraza	3.5L V6 F/I	33-2318+	HP-1001 ¹
2004 BUICK			
Century	3.1L V6 F/I	33-2141-1+	HP-1001 ¹
LeSabre	3.8L V6 F/I	33-2141-1+	HP-1001 ¹
Park Avenue	3.8L V6 F/I	33-2086	HP-1001 ¹
Rainier	4.2L L6 F/I	E-1009	HP-2006 ¹
Rainier	5.3L V8 F/I	E-1009	HP-1007 ¹
Regal	3.8L V6 F/I	33-2141-1+	HP-1001 ¹
Rendezvous	3.4L V6 F/I	33-2156+	HP-1001 ¹

* 2 filters required ♦ Intake System Available - see page 81 +Cabin Air Filter Available - see page 453 1- Pro Series Filter Available

BUICK

AIR & OIL FILTERS

Vehicle	Engine Type	Air Filter	Oil Filter
2004 BUICK			
Rendezvous	3.6L V6 F/I		HP-2006 ¹
2003 BUICK			
Century	3.1L V6 F/I	33-2141-1+	HP-1001 ¹
LeSabre	3.8L V6 F/I	33-2141-1+	HP-1001 ¹
Park Avenue	3.8L V6 F/I	33-2086	HP-1001 ¹
Regal	3.8L V6 F/I	33-2141-1+	HP-1001 ¹
Rendezvous	3.4L V6 F/I	33-2156+	HP-1001 ¹
2002 BUICK			
Century	3.1L V6 F/I	33-2141-1+	HP-1001 ¹
LeSabre	3.8L V6 F/I	33-2141-1+	HP-1001 ¹
Park Avenue	3.8L V6 F/I	33-2086	HP-1001 ¹
Regal	3.8L V6 F/I	33-2141-1+	HP-1001 ¹
Rendezvous	3.4L V6 F/I	33-2156+	HP-1001 ¹
2001 BUICK			
Century	3.1L V6 F/I	33-2141-1+	HP-1001 ¹
LeSabre	3.8L V6 F/I	33-2141-1+	HP-1001 ¹
Park Avenue	3.8L V6 F/I	33-2086	HP-1001 ¹
Regal	3.8L V6 F/I	33-2141-1+	HP-1001 ¹
2000 BUICK			
Century	3.1L V6 F/I	33-2141-1+	HP-1001 ¹
LeSabre	3.8L V6 F/I	33-2141-1+	HP-1001 ¹
Park Avenue	3.8L V6 F/I	33-2086	HP-1001 ¹
Regal	3.8L V6 F/I	33-2141-1+	HP-1001 ¹
1999 BUICK			
Century	3.1L V6 F/I	33-2141-1+	HP-1001 ¹
LeSabre	3.8L V6 F/I	33-2086	HP-1001 ¹
Park Avenue	3.8L V6 F/I	33-2086	HP-1001 ¹
Regal	3.8L V6 F/I	33-2141-1+	HP-1001 ¹
Riviera	3.8L V6 F/I	33-2250	HP-1001 ¹
1998 BUICK			
Century	3.1L V6 F/I	33-2063-1+	HP-1001 ¹
LeSabre	3.8L V6 F/I	33-2086	HP-1001 ¹
Park Avenue	3.8L V6 F/I	33-2086	HP-1001 ¹
Regal	3.8L V6 F/I	33-2063-1+	HP-1001 ¹
Riviera	3.8L V6 F/I	33-2250	HP-1001 ¹
1997 BUICK			
Century	3.1L V6 F/I	33-2063-1+	HP-1001 ¹
LeSabre	3.8L V6 F/I	33-2086	HP-1001 ¹
Park Avenue	3.8L V6 F/I	33-2086	HP-1001 ¹
Regal	3.8L V6 F/I	33-2063-1+	HP-1001 ¹
Riviera	3.8L V6 F/I	33-2086	HP-1001 ¹
1996 BUICK			
Century	3.1L V6 F/I	E-0890	HP-1001 ¹
LeSabre	3.8L V6 F/I	33-2086	HP-1001 ¹
Park Avenue	3.8L V6 F/I	33-2086	HP-1001 ¹
Regal	3.8L V6 F/I	33-2063-1	HP-1001 ¹
Riviera	3.8L V6 F/I	33-2086	HP-1001 ¹
Roadmaster	5.7L V8 F/I	33-2057	HP-2001 ¹
1995 BUICK			
Century	3.1L V6 F/I	E-0890	HP-1001 ¹
LeSabre	3.8L V6 F/I	33-2086	HP-1001 ¹
Park Avenue	3.8L V6 F/I	33-2086	HP-1001 ¹
Regal	3.8L V6 F/I	33-2063-1	HP-1001 ¹
Riviera	3.8L V6 F/I	33-2086	HP-1001 ¹
Roadmaster	5.7L V8 F/I	33-2057	HP-2001 ¹
1994 BUICK			
Century	3.1L V6 F/I	E-0890	HP-1001 ¹
LeSabre	3.8L V6 F/I	33-2086	HP-1001 ¹
Park Avenue	3.8L V6 F/I		HP-1001 ¹

Vehicle	Engine Type	Air Filter	Oil Filter
1994 BUICK			
Regal	3.8L V6 F/I	33-2063-1	HP-1001 ¹
Roadmaster	5.7L V8 F/I	33-2057	HP-2001 ¹
1993 BUICK			
Century	3.3L V6 F/I	33-2022	HP-1001 ¹
LeSabre	3.8L V6 F/I	33-2086	HP-1001 ¹
Park Avenue	3.8L V6 F/I		HP-1001 ¹
Regal	3.8L V6 F/I	E-0890	HP-1001 ¹
Roadmaster	5.7L V8 F/I	33-2051	HP-2002 ¹
1992 BUICK			
Century	3.3L V6 F/I	33-2022	HP-1001 ¹
LeSabre	3.8L V6 F/I	33-2086	HP-1001 ¹
Park Avenue	3.8L V6 F/I		HP-1001 ¹
Regal	3.8L V6 F/I	E-0890	
Riviera	3.8L V6 F/I	33-2022	
Roadmaster	5.7L V8 F/I	33-2051	HP-2002 ¹
1991 BUICK			
Century	3.3L V6 F/I	33-2022	
Park Avenue	3.8L V6 F/I		HP-1001 ¹
Regal	3.8L V6 F/I	E-0890	HP-1001 ¹
1990 BUICK			
LeSabre	3.8L V6 F/I	33-2022	HP-1001 ¹
Reatta	3.8L V6 F/I	33-2022	HP-1001 ¹
Riviera	3.8L V6 F/I	33-2022	
1989 BUICK			
LeSabre	3.8L V6 F/I	33-2022	HP-1001 ¹
1988 BUICK			
LeSabre	3.8L V6 F/I	33-2022	
1987 BUICK			
Regal	3.8L V6 CARB	E-1150	HP-1001 ¹
Regal	3.8L V6 F/I	E-0870	HP-1001 ¹
Regal	5.0L V8 CARB	E-1500	HP-2006 ¹
1986 BUICK			
Regal	3.8L V6 CARB	E-1150	HP-1001 ¹
Regal	3.8L V6 F/I	E-0870	HP-1001 ¹
Regal	5.0L V8 CARB	E-1500	HP-2006 ¹
1985 BUICK			
LeSabre	5.0L V8 CARB	E-1500	HP-2006 ¹
Regal	3.8L V6 CARB	E-1150	HP-1001 ¹
Regal	3.8L V6 F/I	E-0870	HP-1001 ¹
1984 BUICK			
Regal	3.8L V6 CARB	E-1150	HP-1001 ¹
Regal	3.8L V6 F/I	E-0870	HP-1001 ¹
Skylark	2.8L V6 CARB	E-1950	HP-2001 ¹
1980 BUICK			
Electra	350 V8 CARB - VIN X		HP-2003 ¹
Electra	350 V8 DSL	E-1690	
1979 BUICK			
LeSabre	350 V8 CARB - VIN R	E-1650	
1977 BUICK			
Century	350 V8 CARB		HP-2003 ¹
Century	350 V8 CARB - w/Oldsmobile Eng.	E-1650	HP-2003
Regal	350 V8 CARB - VIN H		HP-2003 ¹
Regal	350 V8 CARB - VIN J		HP-2003 ¹
Regal	350 V8 CARB - VIN L	E-1500	HP-2002 ¹
Regal	350 V8 CARB - VIN R	E-1650	HP-2003 ¹
Skylark	350 V8 CARB - VIN R	E-1650	

* 2 filters required ♦ Intake System Available - see page 81 +Cabin Air Filter Available - see page 453 1- Pro Series Filter Available

AIR & OIL FILTERS

BUICK

Vehicle	Engine Type	Air Filter	Oil Filter
1973 BUICK			
Riviera	455 V8 CARB	E-1650	HP-2003 ¹
1972 BUICK			
GS	350 V8 CARB	E-1450	HP-2003 ¹
GS 455	455 V8 CARB	E-1650	HP-2003 ¹
LeSabre	350 V8 CARB - GS Series	E-1650	
Riviera	455 V8 CARB	E-1650	HP-2003 ¹
Skylark	350 V8 CARB	E-1450	HP-2003 ¹
Skylark	455 V8 CARB	E-1650	HP-2003 ¹
1971 BUICK			
GS	350 V8 CARB		HP-2003 ¹
GS 455	455 V8 CARB	E-1650	HP-2003 ¹
Riviera	455 V8 CARB	E-1650	
Skylark	350 V8 CARB	E-1450	HP-2003 ¹
Skylark Custom	350 V8 CARB	E-1450	HP-2003 ¹
1970 BUICK			
Electra	455 V8 CARB	E-1650	HP-2003 ¹
GS 455	455 V8 CARB	E-1650	HP-2003 ¹
Skylark	350 V8 CARB		HP-2003 ¹
Skylark	350 V8 CARB - Exc. GS Series	E-1450	HP-2003
Skylark	350 V8 CARB - GS Series	E-1650	HP-2003
Skylark	455 V8 CARB	E-1650	HP-2003 ¹
1969 BUICK			
GS 350	350 V8 4 BBL.	E-1650	
Skylark	350 V8 CARB	E-1450	HP-2003 ¹
1968 BUICK			
GS 400	400 V8 CARB	E-1650	HP-2003 ¹
Skylark	350 V8 2 BBL.	E-1070	HP-2003 ¹
Skylark	350 V8 4 BBL.	E-1650	HP-2003 ¹
Skylark	350 V8 CARB		HP-2003 ¹
Skylark	350 V8 CARB - 2 BBL	E-1070	HP-2003
Skylark	350 V8 CARB - 4 BBL	E-1650	HP-2003
1966 BUICK			
Riviera	425 V8 CARB	E-1360	HP-2003 ¹
Skylark	401 V8 CARB		HP-2003 ¹
1965 BUICK			
Skylark	300 V8 CARB		HP-2003 ¹
1964 BUICK			
Riviera	425 V8 CARB	E-1520	HP-2003 ¹
Skylark	300 V8 CARB		HP-2003 ¹
1963 BUICK			
Riviera	401 V8 CARB	E-1910	HP-2003 ¹
2016 CADILLAC			
ATS	2.0L L4 F/I	33-2496	HP-1017 ¹
ATS	3.6L V6 F/I		HP-2011 ¹
CTS	3.6L V6 F/I		HP-2011 ¹
CTS-V	6.2L V8 F/I		HP-1017 ¹
Escalade	6.2L V8 F/I	33-2135 ♦	HP-2011 ¹
Escalade ESV	6.2L V8 F/I	33-2135 ♦	HP-2011 ¹
SRX	3.6L V6 F/I	33-2444+	HP-2011 ¹
XTS	3.6L V6 F/I	33-2483	HP-2011 ¹
2015 CADILLAC			
ATS	2.0L L4 F/I	33-2496	HP-1017 ¹
ATS	2.5L L4 F/I	33-2496 ♦	HP-1017 ¹
ATS	3.6L V6 F/I	33-2496	PS-7003
CTS	2.0L L4 F/I	33-2496	HP-1017 ¹
CTS	3.0L V6 F/I		PS-7003
CTS	3.6L V6 F/I	33-2496	PS-7003

Vehicle	Engine Type	Air Filter	Oil Filter
2015 CADILLAC			
CTS V-Sport	3.6L V6 F/I	33-5028	HP-2011 ¹
CTS-V	6.2L V8 F/I	33-2411 ♦+	HP-1017 ¹
Escalade	6.0L V8 F/I		HP-1017 ¹
Escalade	6.2L V8 F/I	33-2135 ♦+	HP-1017 ¹
Escalade ESV	6.2L V8 F/I	33-2135 ♦+	HP-1017 ¹
SRX	3.6L V6 F/I	33-2444+	HP-2011 ¹
XTS	3.6L V6 F/I	33-2483	HP-2011 ¹
2014 CADILLAC			
ATS	2.0L L4 F/I	33-2496	HP-1017 ¹
ATS	2.5L L4 F/I	33-2496 ♦	HP-1017 ¹
ATS	3.6L V6 F/I	33-2496	PS-7003
CTS	2.0L L4 F/I	33-2496	HP-1017 ¹
CTS	3.0L V6 F/I		PS-7003
CTS	3.0L V6 F/I - Exc. Sedan	33-2411 +	PS-7003
CTS	3.6L V6 F/I		PS-7003
CTS	3.6L V6 F/I - Exc. Coupe & Wagon	33-2496+	PS-7003
CTS	3.6L V6 F/I - Exc. Sedan	33-2411 +	PS-7003
CTS	6.2L V8 F/I		HP-1017 ¹
CTS V-Sport	3.6L V6 F/I	33-5028+	PS-7003
CTS-V	6.2L V8 F/I	33-2411 ♦+	HP-1017 ¹
ELR	1.4L L4 F/I	33-2464+	
Escalade	6.2L V8 F/I	33-2135 ♦	HP-1017 ¹
Escalade ESV	6.2L V8 F/I	33-2135 ♦	HP-1017 ¹
SRX	3.6L V6 F/I	33-2444+	HP-2011 ¹
XTS	3.6L V6 F/I	33-2483	HP-2011 ¹
2013 CADILLAC			
ATS	2.0L L4 F/I	33-2496	HP-1017 ¹
ATS	2.5L L4 F/I	33-2496 ♦	HP-1017 ¹
ATS	3.6L V6 F/I	33-2496	PS-7003
CTS	3.0L V6 F/I	33-2411 +	PS-7003
CTS	3.6L V6 F/I	33-2411 +	PS-7003
CTS-V	6.2L V8 F/I	33-2411 ♦+	HP-1017 ¹
Escalade	6.0L V8 F/I	33-2135	HP-1017 ¹
Escalade	6.2L V8 F/I	33-2135 ♦	HP-1017 ¹
Escalade ESV	6.2L V8 F/I	33-2135 ♦	HP-1017 ¹
Escalade EXT	6.2L V8 F/I	33-2135 ♦	HP-1017 ¹
SRX	3.6L V6 F/I	33-2444+	HP-2011 ¹
XTS	3.6L V6 F/I	33-2483	HP-2011 ¹
2012 CADILLAC			
CTS	3.0L V6 F/I	33-2411 ♦+	PS-7003
CTS	3.6L V6 F/I	33-2411 ♦+	PS-7003
CTS-V	6.2L V8 F/I	33-2411 ♦+	HP-1017 ¹
Escalade	6.0L V8 F/I	33-2135	HP-1017 ¹
Escalade	6.2L V8 F/I	33-2135 ♦	HP-1017 ¹
Escalade ESV	6.2L V8 F/I	33-2135 ♦	HP-1017 ¹
Escalade EXT	6.2L V8 F/I	33-2135 ♦	HP-1017 ¹
SRX	3.6L V6 F/I	33-2444+	HP-2011 ¹
2011 CADILLAC			
CTS	3.0L V6 F/I	33-2411 +	PS-7003
CTS	3.6L V6 F/I	33-2411 ♦+	PS-7003
CTS-V	6.2L V8 F/I	33-2411 ♦+	HP-1017 ¹
DTS	4.6L V8 F/I	33-2296+	HP-2006 ¹
Escalade	6.0L V8 F/I	33-2135	HP-1017 ¹
Escalade	6.2L V8 F/I	33-2135 ♦	HP-1017 ¹
Escalade ESV	6.2L V8 F/I	33-2135 ♦	HP-1017 ¹
Escalade EXT	6.2L V8 F/I	33-2135 ♦	HP-1017 ¹
SRX	2.8L V6 F/I		PS-7003
SRX	3.0L V6 F/I	33-2444+	HP-2011 ¹
STS	3.6L V6 F/I	33-2356+	PS-7003

* 2 filters required ♦ Intake System Available - see page 81 +Cabin Air Filter Available - see page 453 1- Pro Series Filter Available

CADILLAC

AIR & OIL FILTERS

Vehicle	Engine Type	Air Filter	Oil Filter
2010 CADILLAC			
CTS	3.0L V6 F/I	33-2411 +	PS-7003
CTS	3.6L V6 F/I	33-2411 ♦+	PS-7003
CTS-V	6.2L V8 F/I	33-2411 ♦	HP-1017 ¹
DTS	4.6L V8 F/I	33-2296+	HP-2006 ¹
Escalade	6.0L V8 F/I	33-2135	HP-1017 ¹
Escalade	6.2L V8 F/I	33-2135 ♦	HP-1017 ¹
Escalade ESV	6.2L V8 F/I	33-2135 ♦	HP-1017 ¹
Escalade EXT	6.2L V8 F/I	33-2135 ♦	HP-1017 ¹
SRX	2.8L V6 F/I	33-2444+	PS-7003
SRX	3.0L V6 F/I	33-2444+	HP-1017 ¹
STS	3.6L V6 F/I	33-2356+	PS-7003
STS	4.6L V8 F/I	33-2356+	HP-2006 ¹

Vehicle	Engine Type	Air Filter	Oil Filter
2009 CADILLAC			
CTS	3.6L V6 F/I	33-2411 ♦+	PS-7003
CTS-V	6.2L V8 F/I	33-2411 ♦+	HP-1017 ¹
DTS	4.6L V8 F/I	33-2296+	HP-2006 ¹
Escalade	6.0L V8 F/I	33-2135	HP-1017 ¹
Escalade	6.2L V8 F/I	33-2135 ♦	HP-1017 ¹
Escalade ESV	6.2L V8 F/I	33-2135 ♦	HP-1017 ¹
Escalade EXT	6.2L V8 F/I	33-2135 ♦	HP-1017 ¹
SRX	3.6L V6 F/I	33-2356+	PS-7003
SRX	4.6L V8 F/I	33-2356+	HP-2006 ¹
STS	3.6L V6 F/I	33-2356+	PS-7003
STS	4.6L V8 F/I	33-2356+	HP-2006 ¹
STS-V	4.4L V8 F/I	E-1995+	HP-2010 ¹
XLR	4.4L V8 F/I	33-2305*	
XLR	4.6L V8 F/I	33-2305*	

Vehicle	Engine Type	Air Filter	Oil Filter
2008 CADILLAC			
CTS	2.8L V6 F/I	33-2411	
CTS	3.6L V6 F/I	33-2411 ♦+	PS-7003
DTS	4.6L V8 F/I	33-2296+	HP-2006 ¹
Escalade	6.2L V8 F/I	33-2135 ♦	HP-1017 ¹
Escalade ESV	6.2L V8 F/I	33-2135 ♦	HP-1017 ¹
Escalade EXT	6.2L V8 F/I	33-2135 ♦	HP-1017 ¹
SRX	3.6L V6 F/I	33-2356+	PS-7003
SRX	4.6L V8 F/I	33-2356+	HP-2006 ¹
STS	3.6L V6 F/I	33-2356+	PS-7003
STS	4.6L V8 F/I	33-2356+	HP-2006 ¹
STS-V	4.4L V8 F/I	E-1995+	
XLR	4.4L V8 F/I	33-2305*	
XLR	4.6L V8 F/I	33-2305*	HP-2006 ¹

Vehicle	Engine Type	Air Filter	Oil Filter
2007 CADILLAC			
CTS	2.8L V6 F/I	33-2251+	PS-7003
CTS	3.6L V6 F/I	33-2251+	PS-7003
CTS-V	6.0L V8 F/I	33-2649 ♦+	HP-1017 ¹
DTS	4.6L V8 F/I	33-2296+	HP-2006 ¹
Escalade	6.2L V8 F/I	33-2135 ♦	HP-1017 ¹
Escalade ESV	6.2L V8 F/I	33-2135 ♦	HP-1017 ¹
Escalade EXT	6.2L V8 F/I	33-2135 ♦	HP-1017 ¹
SRX	3.6L V6 F/I	33-2356+	PS-7003
SRX	4.6L V8 F/I	33-2356+	HP-2006 ¹
STS	3.6L V6 F/I	33-2356+	PS-7003
STS	4.6L V8 F/I	33-2356+	HP-2006 ¹
STS-V	4.4L V8 F/I	E-1995+	
XLR	4.4L V8 F/I	33-2305*	
XLR	4.6L V8 F/I	33-2305*	HP-2006 ¹

Vehicle	Engine Type	Air Filter	Oil Filter
2006 CADILLAC			
CTS	2.8L V6 F/I	33-2251 ♦+	PS-7003
CTS	3.6L V6 F/I	33-2251 ♦+	PS-7003
CTS-V	6.0L V8 F/I	33-2649 ♦+	HP-1007 ¹
DTS	4.6L V8 F/I	33-2296+	HP-2006 ¹
Escalade	6.0L V8 F/I	33-2135 ♦	HP-1007 ¹

Vehicle	Engine Type	Air Filter	Oil Filter
2006 CADILLAC			
Escalade ESV	6.0L V8 F/I	33-2135 ♦	HP-1007 ¹
Escalade EXT	6.0L V8 F/I	33-2135 ♦	HP-1007 ¹
SRX	3.6L V6 F/I	33-2356+	PS-7003
SRX	4.6L V8 F/I	33-2356+	HP-2006 ¹
STS	3.6L V6 F/I	33-2356+	PS-7003
STS	4.6L V8 F/I	33-2356+	HP-2006 ¹
STS-V	4.4L V8 F/I	E-1995+	
XLR	4.6L V8 F/I	33-2305*	HP-2006 ¹

Vehicle	Engine Type	Air Filter	Oil Filter
2005 CADILLAC			
CTS	2.8L V6 F/I	33-2251 ♦+	PS-7003
CTS	3.6L V6 F/I	33-2251 ♦+	PS-7003
CTS-V	5.7L V8 F/I	33-2649 ♦+	HP-1007 ¹
DeVille	4.6L V8 F/I	33-2063-1+	HP-2006 ¹
Escalade	5.3L V8 F/I	33-2135 ♦	HP-1007 ¹
Escalade	6.0L V8 F/I	33-2135 ♦	HP-1007 ¹
Escalade ESV	6.0L V8 F/I	33-2135 ♦	HP-1007 ¹
Escalade EXT	6.0L V8 F/I	33-2135 ♦	HP-1007 ¹
SRX	3.6L V6 F/I	33-2356+	PS-7003
SRX	4.6L V8 F/I	33-2356+	HP-2006 ¹
STS	3.6L V6 F/I	33-2356+	PS-7003
STS	4.6L V8 F/I	33-2356+	HP-2006 ¹
XLR	4.6L V8 F/I	33-2305*	HP-2006 ¹

Vehicle	Engine Type	Air Filter	Oil Filter
2004 CADILLAC			
CTS	3.2L V6 F/I	33-2251 ♦+	
CTS	3.6L V6 F/I	33-2251 ♦+	PS-7003
CTS-V	5.7L V8 F/I	33-2649 ♦+	HP-1007 ¹
DeVille	4.6L V8 F/I	33-2063-1+	HP-2006 ¹
Escalade	5.3L V8 F/I	33-2129 ♦	HP-1007 ¹
Escalade	6.0L V8 F/I	33-2135 ♦	HP-1007 ¹
Escalade ESV	6.0L V8 F/I	33-2135 ♦	HP-1007 ¹
Escalade EXT	6.0L V8 F/I	33-2135 ♦	HP-1007 ¹
Seville	4.6L V8 F/I	33-2063-1	HP-2006 ¹
SRX	3.6L V6 F/I	33-2356+	PS-7003
SRX	4.6L V8 F/I	33-2356+	HP-2006 ¹
XLR	4.6L V8 F/I		HP-2006 ¹

Vehicle	Engine Type	Air Filter	Oil Filter
2003 CADILLAC			
CTS	3.2L V6 F/I	33-2251 ♦+	
DeVille	4.6L V8 F/I	33-2063-1+	HP-2006 ¹
Escalade	5.3L V8 F/I	33-2129 ♦	HP-1007 ¹
Escalade	6.0L V8 F/I	33-2135 ♦	HP-1007 ¹
Escalade ESV	6.0L V8 F/I	33-2135 ♦	HP-1007 ¹
Escalade EXT	6.0L V8 F/I	33-2135 ♦	HP-1007 ¹
Seville	4.6L V8 F/I	33-2063-1	HP-2006 ¹

Vehicle	Engine Type	Air Filter	Oil Filter
2002 CADILLAC			
DeVille	4.6L V8 F/I	33-2063-1+	HP-2006 ¹
Eldorado	4.6L V8 F/I		HP-2006 ¹
Escalade	5.3L V8 F/I	33-2129 ♦+	HP-2006 ¹
Escalade	6.0L V8 F/I	33-2135 ♦+	HP-2006 ¹
Seville	4.6L V8 F/I	33-2063-1	HP-2006 ¹

Vehicle	Engine Type	Air Filter	Oil Filter
2001 CADILLAC			
Catera	3.0L V6 F/I	33-2734	PS-7001
DeVille	4.6L V8 F/I	33-2063-1+	HP-2006 ¹
Eldorado	4.6L V8 F/I		HP-2006 ¹
Seville	4.6L V8 F/I	33-2063-1	HP-2006 ¹

Vehicle	Engine Type	Air Filter	Oil Filter
2000 CADILLAC			
Catera	3.0L V6 F/I	33-2734	PS-7001
DeVille	4.6L V8 F/I	33-2063-1+	HP-2006 ¹
Eldorado	4.6L V8 F/I		HP-2006 ¹
Escalade	5.7L V8 F/I	E-1796	HP-2001 ¹
Seville	4.6L V8 F/I	33-2063-1	HP-2006 ¹

* 2 filters required ♦ Intake System Available - see page 81 +Cabin Air Filter Available - see page 453 1- Pro Series Filter Available

AIR & OIL FILTERS

CADILLAC

Vehicle	Engine Type	Air Filter	Oil Filter
1999 CADILLAC			
DeVille	4.6L V8 F/I		HP-2006 ¹
Eldorado	4.6L V8 F/I		HP-2006 ¹
Escalade	5.7L V8 F/I	E-1796	HP-2001 ¹
Seville	4.6L V8 F/I	33-2063-1	HP-2006 ¹
1998 CADILLAC			
DeVille	4.6L V8 F/I		HP-2006 ¹
Eldorado	4.6L V8 F/I		HP-2006 ¹
Seville	4.6L V8 F/I	33-2063-1	HP-2006 ¹
1997 CADILLAC			
DeVille	4.6L V8 F/I		HP-2006 ¹
DeVille	4.9L V8 F/I		HP-2006 ¹
Eldorado	4.6L V8 F/I		HP-2006 ¹
Seville	4.6L V8 F/I		HP-2006 ¹
1996 CADILLAC			
DeVille	4.6L V8 F/I		HP-2006 ¹
DeVille	4.9L V8 F/I		HP-2006 ¹
Eldorado	4.6L V8 F/I		HP-2006 ¹
Fleetwood	5.7L V8 F/I	33-2057	HP-2001 ¹
Seville	4.6L V8 F/I		HP-2006 ¹
1995 CADILLAC			
DeVille	4.6L V8 F/I	33-2086	HP-2006 ¹
DeVille	4.9L V8 F/I	33-2086	HP-2006 ¹
Eldorado	4.6L V8 F/I	33-2086	HP-2006 ¹
Fleetwood	5.7L V8 F/I	33-2057	HP-2001 ¹
Seville	4.6L V8 F/I		HP-2006 ¹
1994 CADILLAC			
DeVille	4.9L V8 F/I		HP-2006 ¹
Eldorado	4.6L V8 F/I	33-2086	HP-2006 ¹
Fleetwood	5.7L V8 F/I	33-2057	HP-2001 ¹
Seville	4.6L V8 F/I		HP-2006 ¹
1993 CADILLAC			
Allante	4.6L V8 F/I		HP-2006 ¹
DeVille	4.9L V8 F/I		HP-2006 ¹
Fleetwood	5.7L V8 F/I	E-1500	HP-2002 ¹
1992 CADILLAC			
DeVille	4.9L V8 F/I		HP-2006 ¹
Eldorado	4.9L V8 F/I	33-2057	HP-2006 ¹
Seville	4.9L V8 F/I	33-2086	HP-2006 ¹
1991 CADILLAC			
Brougham	5.0L V8 F/I	E-1500	HP-2002 ¹
Brougham	5.7L V8 F/I	E-1500	HP-2002 ¹
DeVille	4.9L V8 F/I		HP-2006 ¹
Eldorado	4.9L V8 F/I	33-2086	
1990 CADILLAC			
Brougham	5.7L V8 F/I	E-1500	HP-2002 ¹
DeVille	4.5L V8 F/I	33-2086	HP-2006 ¹
Eldorado	4.5L V8 F/I		HP-2006 ¹
1989 CADILLAC			
DeVille	4.5L V8 F/I	33-2086	HP-2006 ¹
Seville	4.5L V8 F/I		HP-2006 ¹
1988 CADILLAC			
Brougham	5.0L V8 CARB	E-1690	
DeVille	4.5L V8 F/I	33-2086	HP-2006 ¹
1987 CADILLAC			
Brougham	5.0L V8 CARB		HP-2006 ¹
1985 CADILLAC			
DeVille	4.3L V6 DSL	E-1577	

Vehicle	Engine Type	Air Filter	Oil Filter
1979 CADILLAC			
DeVille	425 V8 CARB		HP-2006 ¹
DeVille	7.0L V8 F/I	E-1510	HP-2006 ¹
1976 CADILLAC			
Eldorado	500 V8 CARB		HP-2003 ¹
1975 CADILLAC			
DeVille	500 V8 CARB	E-1510	HP-2003 ¹
1972 CADILLAC			
Eldorado	500 V8 CARB	E-1510	HP-2003 ¹
1970 CADILLAC			
DeVille	472 V8 CARB	E-1510	HP-2003 ¹
1969 CADILLAC			
DeVille	472 V8 CARB		HP-2003 ¹
Eldorado	472 V8 CARB	E-1510	HP-2003 ¹
1968 CADILLAC			
DeVille	472 V8 CARB	E-1510	HP-2003 ¹
1966 CADILLAC			
DeVille	429 V8 CARB	E-1220	HP-2003 ¹
1964 CADILLAC			
DeVille	429 V8 CARB		HP-2003 ¹
1962 CADILLAC			
DeVille	390 V8 CARB		HP-2003 ¹
2015 CAN-AM			
Commander 800R	800	CM-8011	KN-152
Commander 800R	800	CM-8011	KN-152
DPS			
Commander 800R XT	800	CM-8011	KN-152
Commander 1000	1000	CM-8011	KN-152
DPS			
Commander 1000	1000	CM-8011	KN-152
LTD			
Commander 1000 XT	1000	CM-8011	KN-152
Commander 1000	1000	CM-8011	KN-152
XT-P			
DS450 X mx	450	CM-4508	KN-560
Maverick 1000R	976	CM-8011	KN-152
Maverick 1000R	976	CM-9715	KN-152
Turbo X ds			
Maverick 1000R X ds	976		KN-152
Maverick 1000R X ds	976 - Exc. Turbo	CM-8011	KN-152
Maverick 1000R X mr	976	CM-8011	KN-152
DPS			
Maverick 1000R X rs	976	CM-8011	KN-152
DPS			
Maverick 1000R X xc	976	CM-8011	KN-152
DPS			
Maverick Max 1000R	976	CM-8011	
Maverick Max 1000R	976	CM-9715	KN-152
Turbo X ds			
Maverick Max 1000R	976 - Exc. Turbo	CM-8011	
X ds			
Maverick Max 1000R	976	CM-8011	
X rs DPS			
Outlander 500 EFI	500	CM-8012	KN-152
DPS			
Outlander 500 EFI XT	500	CM-8012	KN-152
Outlander 650 EFI	650	CM-8012	
Outlander 650 EFI	650	CM-8012	KN-152
DPS			
Outlander 650 EFI XT	650	CM-8012	KN-152
Outlander 650 X mr	650	CM-8012	KN-152
Outlander 800R EFI	800	CM-8012	KN-152

* 2 filters required ♦ Intake System Available - see page 81 +Cabin Air Filter Available - see page 453 1- Pro Series Filter Available

Partial Listing - Complete List of Vehicles and Applications at knfilters.com

CAN-AM

AIR & OIL FILTERS

Vehicle	Engine Type	Air Filter	Oil Filter	Vehicle	Engine Type	Air Filter	Oil Filter
2015 CAN-AM				2015 CAN-AM			
Outlander 800R EFI DPS	800	CM-8012	KN-152	Spyder ST-S SM5	998	CM-9910	
Outlander 800R EFI X mr	800	CM-8012	KN-152	2014 CAN-AM			
Outlander 800R EFI XT	800	CM-8012	KN-152	Commander 800R	800	CM-8011	KN-152
Outlander 800R EFI XT-P	800	CM-8012	KN-152	Commander 800R DPS	800	CM-8011	KN-152
Outlander 1000 EFI DPS	1000	CM-8012	KN-152	Commander 800R XT	800	CM-8011	KN-152
Outlander 1000 EFI XT	1000	CM-8012	KN-152	Commander 1000	1000	CM-8011	KN-152
Outlander 1000 EFI XT-P	1000	CM-8012	KN-152	Commander 1000 DPS	1000	CM-8011	KN-152
Outlander 1000 X mr	1000	CM-8012	KN-152	Commander 1000 LTD	1000	CM-8011	KN-152
Outlander L 450	450	CM-8012	KN-152	Commander 1000 XT	1000	CM-8011	KN-152
Outlander L 450 DPS	450	CM-8012	KN-152	Commander 1000 XT-P	1000	CM-8011	KN-152
Outlander L 500	500	CM-8012	KN-152	Commander Max 1000 DPS	1000	CM-8011	
Outlander L 500 DPS	500	CM-8012	KN-152	Commander Max 1000 XT	1000	CM-8011	KN-152
Outlander L Max 450 DPS	450	CM-8012		DS450 X mx	450	CM-4508	KN-560
Outlander L Max 500	500	CM-8012		DS450 X xc	450	CM-4508	KN-560
Outlander L Max 500 DPS	500	CM-8012	KN-152	Maverick 1000R	976	CM-8011	KN-152
Outlander Max 500 EFI XT	500	CM-8012		Maverick Max 1000R	976	CM-8011	KN-152
Outlander Max 650 EFI DPS	650	CM-8012		Maverick Max X rs	976	CM-8011	KN-152
Outlander Max 650 EFI XT	650	CM-8012	KN-152	DPS 1000R			
Outlander Max 800R EFI DPS	800	CM-8012		Maverick X mr 1000R	976	CM-8011	KN-152
Outlander Max 800R EFI XT	800	CM-8012	KN-152	Maverick X rs 1000R	976	CM-8011	KN-152
Outlander Max 800R EFI XT-P	800	CM-8012	KN-152	Maverick X rs DPS	976	CM-8011	KN-152
Outlander Max 1000 EFI LTD	1000	CM-8012	KN-152	1000R			
Outlander Max 1000 EFI X mr	1000	CM-8012	KN-152	Maverick X xc DPS	976	CM-8011	KN-152
Outlander Max 1000 EFI XT	1000	CM-8012		1000R			
Outlander Max 1000 EFI XT-P	1000	CM-8012	KN-152	Outlander 400 EFI	400		KN-152
Renegade 500	500	CM-8012	KN-152	Outlander 400 EFI XT	400		KN-152
Renegade 800R	800	CM-8012	KN-152	Outlander 500 EFI	500	CM-8012	
Renegade 800R X xc	800	CM-8012	KN-152	Outlander 500 EFI DPS	500	CM-8012	KN-152
Renegade 1000	1000	CM-8012	KN-152	Outlander 500 EFI XT	500	CM-8012	KN-152
Renegade 1000 EFI X xc	1000	CM-8012	KN-152	Outlander 650 EFI	650	CM-8012	KN-152
Spyder F3 SE6	1330	CM-1314		DPS			
Spyder F3 SM6	1330	CM-1314		Outlander 650 EFI XT	650	CM-8012	KN-152
Spyder F3-S SE6	1330	CM-1314		Outlander 650 X mr	650	CM-8012	KN-152
Spyder F3-S SM6	1330	CM-1314		Outlander 800R EFI	800	CM-8012	KN-152
Spyder RS	998	CM-9910		Outlander 800R EFI DPS	800	CM-8012	KN-152
Spyder RS SM5	998	CM-9910		XT			
Spyder RS-S SE5	998	CM-9910		Outlander 800R EFI XT-P	800	CM-8012	KN-152
Spyder RS-S SM5	998	CM-9910		Outlander 1000 EFI DPS	1000	CM-8012	KN-152
Spyder RT Limited SE6	1330	CM-1314		Outlander 1000 EFI XT	1000	CM-8012	KN-152
Spyder RT SE6	1330	CM-1314		Outlander 1000 X mr	1000	CM-8012	KN-152
Spyder RT SM6	1330	CM-1314		Outlander Max 500 EFI XT	500	CM-8012	
Spyder RT-S SE6	1330	CM-1314		Outlander Max 650 EFI DPS	650	CM-8012	
Spyder RT-S SM6	1330	CM-1314		Outlander Max 650 EFI XT	650	CM-8012	KN-152
Spyder ST Limited SE5	998	CM-9910		Outlander Max 800R EFI XT	800	CM-8012	KN-152
Spyder ST-S SE5	998	CM-9910		Outlander Max 800R EFI XT-P	800	CM-8012	KN-152
				Outlander Max 1000 EFI DPS	1000	CM-8012	

* 2 filters required ♦ Intake System Available - see page 81 +Cabin Air Filter Available - see page 453 1- Pro Series Filter Available

AIR & OIL FILTERS

CAN-AM

Vehicle	Engine Type	Air Filter	Oil Filter	Vehicle	Engine Type	Air Filter	Oil Filter
2014 CAN-AM				2013 CAN-AM			
Outlander Max 1000 EFI LTD	1000	CM-8012	KN-152	Outlander 1000 EFI XT-P	1000	CM-8012	KN-152
Outlander Max 1000 EFI XT	1000	CM-8012	KN-152	Outlander 1000 X mr	1000	CM-8012	KN-152
Outlander Max 1000 EFI XT-P	1000	CM-8012	KN-152	Outlander Max 500 EFI DPS	500	CM-8012	
Renegade 500	500	CM-8012	KN-152	Outlander Max 650 EFI	650	CM-8012	
Renegade 800R	800	CM-8012	KN-152	Outlander Max 650 EFI DPS	650	CM-8012	KN-152
Renegade 800R X xc	800	CM-8012	KN-152	Outlander Max 650 EFI XT	650	CM-8012	KN-152
Renegade 1000	1000	CM-8012	KN-152	Outlander Max 800R EFI XT	800	CM-8012	KN-152
Renegade 1000 X xc	1000	CM-8012	KN-152	Outlander Max 800R EFI XT-P	800	CM-8012	KN-152
Spyder RS	998	CM-9910		Outlander Max 1000 EFI DPS	1000	CM-8012	
Spyder RS SE5	998	CM-9910		Outlander Max 1000 EFI XT	1000	CM-8012	
Spyder RS SM5	998	CM-9910		Outlander Max 1000 EFI XT-P	1000	CM-8012	KN-152
Spyder RS-S SE5	998	CM-9910		Outlander Max 1000 EFI XT	1000	CM-8012	KN-152
Spyder RS-S SM5	998	CM-9910		Outlander Max 1000 EFI XT-P	1000	CM-8012	KN-152
Spyder RT Limited SE6	1330	CM-1314		Renegade 800R	800	CM-8012	
Spyder RT SE6	1330	CM-1314		Renegade 800R X xc	800	CM-8012	KN-152
Spyder RT SM6	1330	CM-1314		Renegade 1000	1000	CM-8012	KN-152
Spyder RT-S SE6	1330	CM-1314		Renegade 1000 X xc	1000	CM-8012	KN-152
Spyder RT-S SM6	1330	CM-1314		Spyder RS SE5	998	CM-9910	
Spyder ST Limited SE5	998	CM-9910		Spyder RS SM5	998	CM-9910	
Spyder ST SE5	998	CM-9910		Spyder RS-S SE5	998	CM-9910	
Spyder ST SM5	998	CM-9910		Spyder RS-S SM5	998	CM-9910	
Spyder ST-S SE5	998	CM-9910		Spyder RT Limited SE5	998	CM-9910	KN-564
Spyder ST-S SM5	998	CM-9910		Spyder RT SE5	998	CM-9910	KN-564
2013 CAN-AM				2012 CAN-AM			
Commander 800R	800	CM-8011	KN-152	Commander 800R	800	CM-8011	KN-152
Commander 800R XT	800	CM-8011	KN-152	Commander 800R XT	800	CM-8011	KN-152
Commander 1000	1000	CM-8011	KN-152	Commander 1000	1000	CM-8011	KN-152
Commander 1000 DPS	1000	CM-8011	KN-152	Commander 1000 LTD	1000	CM-8011	KN-152
Commander 1000 LTD	1000	CM-8011	KN-152	Commander 1000 X	1000	CM-8011	KN-152
Commander 1000 X	1000	CM-8011	KN-152	Commander 1000 XT	1000	CM-8011	KN-152
Commander 1000 XT	1000	CM-8011	KN-152	Commander 1000 XT-P	1000	CM-8011	KN-152
Commander 1000 XT-P	1000	CM-8011	KN-152	DS450 EFI X mx	450	CM-4508	KN-560
DS450 EFI X mx	450	CM-4508	KN-560	Maverick 1000R	976	CM-8011	
Maverick 1000R	976	CM-8011		Maverick X rs 1000R	976	CM-8011	
Maverick X rs 1000R	976	CM-8011		Outlander 500 EFI	500	CM-8012	
Outlander 500 EFI	500	CM-8012		Outlander 500 EFI DPS	500	CM-8012	KN-152
Outlander 500 EFI DPS	500	CM-8012	KN-152	Outlander 500 EFI XT	500	CM-8012	KN-152
Outlander 500 EFI XT	500	CM-8012	KN-152	Outlander 650 EFI	650	CM-8012	KN-152
Outlander 650 EFI	650	CM-8012	KN-152	Outlander 650 EFI DPS	650	CM-8012	KN-152
Outlander 650 EFI DPS	650	CM-8012	KN-152	Outlander 650 EFI XT	650	CM-8012	KN-152
Outlander 650 EFI XT	650	CM-8012	KN-152	Outlander 650 X mr	650	CM-8012	KN-152
Outlander 650 X mr	650	CM-8012	KN-152	Outlander 800R EFI	800	CM-8012	KN-152
Outlander 800R EFI	800	CM-8012	KN-152	Outlander 800R EFI DPS	800	CM-8012	KN-152
Outlander 800R EFI DPS	800	CM-8012	KN-152	Outlander 800R EFI X mr	800	CM-8012	KN-152
Outlander 800R EFI X mr	800	CM-8012	KN-152	Outlander 800R EFI XT	800	CM-8012	KN-152
Outlander 800R EFI XT	800	CM-8012	KN-152	Outlander 800R EFI XT-P	800	CM-8012	KN-152
Outlander 800R EFI XT-P	800	CM-8012	KN-152	Outlander 1000 EFI	1000	CM-8012	KN-152
Outlander 1000 EFI	1000	CM-8012	KN-152	Outlander 1000 EFI XT	1000	CM-8012	KN-152
Outlander 1000 EFI DPS	1000	CM-8012	KN-152	Outlander Max 650 EFI XT	650	CM-8009	KN-152
Outlander 1000 EFI XT	1000	CM-8012	KN-152	Outlander Max 650 EFI XT-P	650	CM-8009	KN-152
				Outlander Max 800R EFI	800	CM-8009	KN-152

* 2 filters required ♦ Intake System Available - see page 81 +Cabin Air Filter Available - see page 453 1- Pro Series Filter Available

CAN-AM

AIR & OIL FILTERS

Vehicle	Engine Type	Air Filter	Oil Filter
2012 CAN-AM			
Outlander Max 800R EFI LTD	800	CM-8009	KN-152
Outlander Max 800R EFI XT	800	CM-8009	KN-152
Outlander Max 800R EFI XT-P	800	CM-8009	KN-152
Renegade 800R	800	CM-8012	KN-152
Renegade 800R EFI X xc	800	CM-8012	KN-152
Renegade 1000	1000	CM-8012	KN-152
Spyder RS SE5	998		KN-564
Spyder RS SE5	998 - Transmission Filter		KN-559
Spyder RS SM5	998	CM-9908	KN-564
Spyder RS SM5	998 - Transmission Filter	CM-9908	KN-559
Spyder RS-S SE5	998	CM-9908	KN-564
Spyder RS-S SE5	998 - Transmission Filter	CM-9908	KN-559
Spyder RS-S SM5	998	CM-9908	KN-564
Spyder RS-S SM5	998 - Transmission Filter	CM-9908	KN-559
Spyder RT Limited SE5	998	CM-9910	KN-564
Spyder RT Limited SE5	998 - Transmission Filter	CM-9910	KN-559
Spyder RT SE5 A/C	998	CM-9910	KN-564
Spyder RT SE5 A/C	998 - Transmission Filter	CM-9910	KN-559
Spyder RT SM5	998	CM-9910	KN-564
Spyder RT SM5	998 - Transmission Filter	CM-9910	KN-559
Spyder RT SM5 A/C	998	CM-9910	KN-564
Spyder RT SM5 A/C	998 - Transmission Filter	CM-9910	KN-559
Spyder RT-S SE5	998	CM-9910	KN-564
Spyder RT-S SE5	998 - Transmission Filter	CM-9910	KN-559
Spyder RT-S SM5	998	CM-9910	KN-564

Vehicle	Engine Type	Air Filter	Oil Filter
2011 CAN-AM			
Commander 800R	800	CM-8011	
Commander 800R XT	800	CM-8011	KN-152
Commander 1000	1000	CM-8011	KN-152
Commander 1000 X	1000	CM-8011	KN-152
Commander 1000 XT	1000	CM-8011	KN-152
DS450 EFI	450	CM-4508	
DS450 EFI X mx	450	CM-4508	KN-560
DS450 EFI X xc	450	CM-4508	KN-560
Outlander 400 EFI XT	400		KN-152
Outlander 500 EFI	500	BD-6506	
Outlander 500 EFI XT	500	BD-6506	KN-152
Outlander 650 EFI	650	CM-8009	KN-152
Outlander 650 EFI XT	650	CM-8009	KN-152
Outlander 650 EFI XT-P	650	CM-8009	KN-152
Outlander 800R EFI	800	CM-8009	KN-152
Outlander 800R EFI XT	800	CM-8009	KN-152
Outlander 800R EFI XT-P	800	CM-8009	KN-152
Outlander Max 500 EFI XT	500	BD-6506	
Outlander Max 650 EFI XT	650	CM-8009	KN-152
Outlander Max 650 EFI XT-P	650	CM-8009	KN-152
Outlander Max 800R EFI	800	CM-8009	KN-152

Vehicle	Engine Type	Air Filter	Oil Filter
2011 CAN-AM			
Outlander Max 800R EFI LTD	800	CM-8009	KN-152
Outlander Max 800R EFI XT	800	CM-8009	KN-152
Outlander Max 800R EFI XT-P	800	CM-8009	KN-152
Renegade 800R	800	CM-8009	KN-152
Renegade 800R X xc	800	CM-8009	KN-152
Spyder RS SE5	998	CM-9908	KN-564
Spyder RS SE5	998 - Transmission Filter	CM-9908	KN-559
Spyder RS SM5	998	CM-9908	
Spyder RS-S SE5	998	CM-9908	KN-564
Spyder RS-S SE5	998 - Transmission Filter	CM-9908	KN-559
Spyder RS-S SM5	998	CM-9908	KN-564
Spyder RT Limited SE5	998	CM-9910	KN-564
Spyder RT Limited SE5	998 - Transmission Filter	CM-9910	KN-559
Spyder RT SE5	998	CM-9910	KN-564
Spyder RT SE5	998 - Transmission Filter	CM-9910	KN-559
Spyder RT SE5 A/C	998	CM-9910	KN-564
Spyder RT SE5 A/C	998 - Transmission Filter	CM-9910	KN-559
Spyder RT SM5	998	CM-9910	KN-564
Spyder RT SM5	998 - Transmission Filter	CM-9910	KN-559
Spyder RT SM5 A/C	998	CM-9910	KN-564
Spyder RT SM5 A/C	998 - Transmission Filter	CM-9910	KN-559

Vehicle	Engine Type	Air Filter	Oil Filter
2010 CAN-AM			
DS450 EFI X mx	450	CM-4508	
Outlander 400 HO EFI XT	400		KN-152
Outlander 500 EFI XT	500	BD-6506	KN-152
Outlander 650 EFI	650	CM-8009	KN-152
Outlander 800R EFI	800	CM-8009	KN-152
Outlander 800R EFI XT	800	CM-8009	KN-152
Outlander Max 650 EFI	650	CM-8009	KN-152
Outlander Max 650 EFI XT	650	CM-8009	KN-152
Outlander Max 800R EFI	800	CM-8009	KN-152
Outlander Max 800R EFI XT	800	CM-8009	KN-152
Renegade 800	800	CM-8009	KN-152
Renegade 800 X	800	CM-8009	KN-152
Renegade 800 X xc	800	CM-8009	KN-152
Spyder RS SE5	998	CM-9908	KN-564
Spyder RS SM5	998	CM-9908	KN-564
Spyder RS SM5	998 - Transmission Filter	CM-9908	KN-559
Spyder RS-S SE5	998	CM-9908	
Spyder RT Limited SE5	998	CM-9910	KN-564
Spyder RT Limited SE5	998 - Transmission Filter	CM-9910	KN-559
Spyder RT SE5	998	CM-9910	KN-564
Spyder RT SE5	998 - Transmission Filter	CM-9910	KN-559
Spyder RT SE5 A/C	998	CM-9910	KN-564
Spyder RT SE5 A/C	998 - Transmission Filter	CM-9910	KN-559
Spyder RT SM5	998	CM-9910	KN-564

* 2 filters required ♦ Intake System Available - see page 81 +Cabin Air Filter Available - see page 453 1- Pro Series Filter Available

AIR & OIL FILTERS

CAN-AM

Vehicle	Engine Type	Air Filter	Oil Filter	Vehicle	Engine Type	Air Filter	Oil Filter
2010 CAN-AM				2008 CAN-AM			
Spyder RT SM5	998 - Transmission Filter	CM-9910	KN-559	Outlander Max 650 HO EFI XT	650	BD-6506	KN-152
Spyder RT SM5 A/C	998	CM-9910	KN-564	Outlander Max 800 HO EFI	800	BD-6506	KN-152
Spyder RT SM5 A/C	998 - Transmission Filter	CM-9910	KN-559	Outlander Max 800 HO EFI LTD	800	BD-6506	KN-152
2009 CAN-AM				2007 CAN-AM			
DS450 EFI	450	CM-4508	KN-560	DS650X	650	BD-6500	KN-152
DS450 EFI X mx	450	CM-4508	KN-560	Outlander 400 HO	400	BD-3303	KN-152
DS450 EFI X xc	450	CM-4508	KN-560	Outlander 400 HO XT	400	BD-3303	KN-152
Outlander 400 HO EFI	400		KN-152	Outlander 500 HO 4x4 EFI	500	BD-6506	KN-152
Outlander 400 HO EFI XT	400		KN-152	Outlander 500 HO 4x4 EFI XT	500	BD-6506	KN-152
Outlander 500 HO 4x4 EFI XT	500	BD-6506	KN-152	Outlander 650 HO 4x4 EFI XT	650	BD-6506	KN-152
Outlander 650 EFI	650	BD-6506	KN-152	Outlander 650 HO EFI 4x4	650	BD-6506	KN-152
Outlander 650 EFI XT	650	BD-6506	KN-152	Outlander 800 HO 4x4 EFI	800	BD-6506	KN-152
Outlander 800R EFI	800	CM-8009	KN-152	Outlander 800 HO 4x4 EFI XT	800	BD-6506	KN-152
Outlander 800R EFI XT	800	CM-8009	KN-152	Outlander Max 400 HO XT	400	BD-3303	KN-152
Outlander Max 400 EFI XT	400		KN-152	Outlander Max 500 HO EFI XT	500	BD-6506	KN-152
Outlander Max 500 EFI XT	500	BD-6506	KN-152	Outlander Max 650 HO EFI	650	BD-6506	KN-152
Outlander Max 650 EFI XT	650	BD-6506	KN-152	Outlander Max 650 HO EFI XT	650	BD-6506	KN-152
Outlander Max 800R EFI	800	CM-8009	KN-152	Outlander Max 800 HO EFI	800	BD-6506	KN-152
Outlander Max 800R EFI LTD	800	CM-8009	KN-152	Outlander Max 800 HO EFI LTD	800	BD-6506	KN-152
Outlander Max 800R EFI XT	800	CM-8009	KN-152	Outlander Max 800 HO EFI XT	800	BD-6506	KN-152
Renegade 800	800	CM-8009	KN-152	Outlander Max 800 HO EFI XT	800	BD-6506	KN-152
Renegade 800 X	800	CM-8009	KN-152	Outlander Max 800 HO EFI XT	800	BD-6506	KN-152
Spyder GS - SM5	998	CM-9908	KN-564	Outlander Max 800 HO EFI XT	800	BD-6506	KN-152
Spyder GS - SM5	998 - Transmission Filter	CM-9908	KN-559	Outlander Max 800 HO EFI XT	800	BD-6506	KN-152
Spyder RS SE5	998	CM-9908	KN-564	Outlander Max 800 HO EFI XT	800	BD-6506	KN-152
Spyder RS SE5	998 - Transmission Filter	CM-9908	KN-559	Outlander Max 800 HO EFI XT	800	BD-6506	KN-152
Spyder RS SM5	998	CM-9908	KN-564	Outlander Max 800 HO EFI XT	800	BD-6506	KN-152
Spyder RS SM5	998 - Transmission Filter	CM-9908	KN-559	Outlander Max 800 HO EFI XT	800	BD-6506	KN-152
2008 CAN-AM				2016 CHEVROLET			
DS450	450	CM-4508	KN-560	Camaro	2.0L L4 F/I		HP-1017 ¹
DS450X	450	CM-4508	KN-560	Camaro	3.6L V6 F/I		HP-2011 ¹
Outlander 400 HO	400	BD-3303	KN-152	Camaro	6.2L V8 F/I		HP-1017 ¹
Outlander 400 HO EFI	400		KN-152	Colorado	2.5L L4 F/I	33-5030	HP-1017 ¹
Outlander 400 HO EFI XT	400		KN-152	Colorado	3.6L V6 F/I	33-5030 ♦	PS-7003
Outlander 400 HO XT	400	BD-3303	KN-152	Corvette	6.2L V8 F/I	E-0665	HP-1017 ¹
Outlander 500 HO 4x4 EFI	500	BD-6506	KN-152	Cruze Limited	1.4L L4 F/I	33-2966 ♦	
Outlander 500 HO 4x4 EFI XT	500	BD-6506	KN-152	Equinox	2.4L L4 F/I	33-2439 ♦+	PS-7000
Outlander 650 HO 4x4 EFI XT	650	BD-6506	KN-152	Equinox	3.6L V6 F/I		HP-2011 ¹
Outlander 650 HO EFI 4x4	650	BD-6506	KN-152	Impala	3.6L V6 F/I	33-2483	HP-2011 ¹
Outlander 800 HO 4x4 EFI	800	BD-6506	KN-152	Impala Limited	3.6L V6 F/I	33-2475	
Outlander 800 HO 4x4 EFI XT	800	BD-6506	KN-152	Impala Limited	3.6L V6 F/I - Exc. Police	33-2475	HP-2011 ¹
Outlander Max 400 HO EFI XT	400		KN-152	Impala Limited	3.6L V6 F/I - Police	33-2475	HP-1017 ¹
Outlander Max 500 HO EFI XT	500	BD-6506	KN-152	Malibu	2.5L L4 F/I	33-2497 ♦	HP-1017 ¹
				Silverado 1500	4.3L V6 F/I		HP-2011 ¹
				Silverado 1500	5.3L V8 F/I		HP-2011 ¹
				Silverado 1500	6.2L V8 F/I		HP-2011 ¹

* 2 filters required ♦ Intake System Available - see page 81 +Cabin Air Filter Available - see page 453 1- Pro Series Filter Available

CHEVROLET

AIR & OIL FILTERS

Vehicle	Engine Type	Air Filter	Oil Filter
2016 CHEVROLET			
Silverado 2500 HD	6.0L V8 F/I	33-2135	HP-1017 ¹
Silverado 2500 HD	6.6L V8 DSL	33-2466 ♦	HP-3003 ¹
Silverado 3500 HD	6.0L V8 F/I	33-2135	
Silverado 3500 HD	6.6L V8 DSL	33-2466 ♦	HP-3003 ¹
Sonic	1.4L L4 F/I	33-2476 ♦+	
SS	6.2L V8 F/I		HP-1017 ¹
Suburban	5.3L V8 F/I	33-2129 ♦	HP-2011 ¹
Tahoe	5.3L V8 F/I	33-2129 ♦	HP-2011 ¹
Traverse	3.6L V6 F/I	33-2394+	HP-2011 ¹

Vehicle	Engine Type	Air Filter	Oil Filter
2015 CHEVROLET			
Aveo	1.6L L4 F/I		HP-1001 ¹
Camaro	3.6L V6 F/I	33-2434 ♦	PS-7003
Camaro	7.0L V8 F/I		HP-1017 ¹
Camaro SS	6.2L V8 F/I	33-2434 ♦	HP-1017 ¹
Camaro ZL1	6.2L V8 F/I	33-2434	HP-1017 ¹
Caprice	6.0L V8 F/I		HP-1017 ¹
Captiva Sport	2.4L L4 F/I		PS-7000
Captiva Sport	2.4L L4 F/I - US	33-2404+	PS-7000
City Express	2.0L L4 F/I		HP-1008 ¹
Colorado	2.5L L4 F/I	33-5030	HP-1017 ¹
Colorado	3.6L V6 F/I	33-5030 ♦	PS-7003
Corvette	6.2L V8 F/I	E-0665 ♦	HP-1017 ¹
Corvette Z06	6.2L V8 F/I	E-0665 ♦	HP-1017 ¹
Cruze	1.4L L4 F/I	33-2966 ♦+	PS-7027
Cruze	1.8L L4 F/I	33-2964+	PS-7027
Cruze	2.0L L4 DSL	33-2966 ♦+	
Equinox	2.4L L4 F/I	33-2439 ♦+	PS-7000
Equinox	3.6L V6 F/I	33-2439+	HP-2011 ¹
Express 1500	4.3L V6 F/I		HP-1001 ¹
Express 1500	5.3L V8 F/I		HP-1017 ¹
Express 2500	4.8L V8 F/I	E-1986	HP-1017 ¹
Express 2500	6.0L V8 F/I	E-1986	HP-1017 ¹
Express 2500	6.6L V8 DSL		HP-3003 ¹
Express 3500	6.0L V8 F/I	E-1986	HP-1017 ¹
Express 3500	6.6L V8 DSL		HP-3003 ¹
Express 4500	6.0L V8 F/I		HP-1017 ¹
Impala	2.4L L4 F/I		PS-7000
Impala	2.5L L4 F/I	33-2497	HP-1017 ¹
Impala	3.6L V6 F/I	33-2483	HP-2011 ¹
Impala Limited	3.6L V6 F/I	33-2475	HP-2011 ¹
Impala Limited Police	3.6L V6 F/I	33-2475	HP-1017 ¹
Malibu	2.0L L4 F/I	33-2497+	HP-1017 ¹
Malibu	2.4L L4 F/I		PS-7000
Malibu	2.5L L4 F/I	33-2497 ♦+	HP-1017 ¹
Orlando	2.4L L4 F/I		PS-7000
Silverado 1500	4.3L V6 F/I	33-2129+	HP-2011 ¹
Silverado 1500	5.3L V8 F/I	33-2129 ♦+	HP-2011 ¹
Silverado 1500	6.2L V8 F/I	33-2135 ♦+	HP-2011 ¹
Silverado 2500	5.3L V8 F/I		HP-2011 ¹
Silverado 2500 HD	6.0L V8 F/I	33-2135 ♦+	HP-1017 ¹
Silverado 2500 HD	6.6L V8 DSL	33-2466 ♦+	HP-3003 ¹
Silverado 3500	6.0L V8 F/I		HP-1017 ¹
Silverado 3500 HD	6.0L V8 F/I	33-2135 ♦+	HP-1017 ¹
Silverado 3500 HD	6.6L V8 DSL	33-2466 ♦+	HP-3003 ¹
Sonic	1.4L L4 F/I	33-2476 ♦+	PS-7027
Sonic	1.8L L4 F/I	33-2476 ♦+	PS-7027
Spark	1.2L L4 F/I	33-2492+	
SS	6.2L V8 F/I	33-2919 ♦	HP-1017 ¹
Suburban	5.3L V8 F/I	33-2129 ♦+	HP-1017 ¹
Tahoe	5.3L V8 F/I	33-2129 ♦+	HP-1017 ¹
Traverse	3.6L V6 F/I	33-2394+	HP-2011 ¹
Trax	1.4L L4 F/I	33-5007+	PS-7027
Volt	1.4L L4 F/I	33-2464+	

Vehicle	Engine Type	Air Filter	Oil Filter
2014 CHEVROLET			
Beat	1.0L L3 DSL	33-3019	
Camaro	3.6L V6 F/I	33-2434 ♦	PS-7003
Camaro	7.0L V8 F/I		HP-1017 ¹
Camaro SS	6.2L V8 F/I	33-2434 ♦	HP-1017 ¹
Camaro ZL1	6.2L V8 F/I	33-2434 ♦	HP-1017 ¹
Caprice	6.0L V8 F/I		HP-1017 ¹
Captiva Sport	2.2L L4 DSL	33-2956	
Captiva Sport	2.4L L4 F/I		PS-7000
Captiva Sport	2.4L L4 F/I - Non-US	33-2956+	PS-7000
Captiva Sport	2.4L L4 F/I - US	33-2404+	PS-7000
Captiva Sport	3.0L V6 F/I	33-2404	
Corvette	6.2L V8 F/I	E-0665 ♦	HP-1017 ¹
Cruze	1.4L L4 F/I	33-2966 ♦+	PS-7027
Cruze	1.6L L4 F/I	33-2964	
Cruze	1.7L L4 DSL	33-2966	
Cruze	1.8L L4 F/I	33-2964 ♦+	PS-7027
Cruze	2.0L L4 DSL	33-2966 ♦+	
Equinox	2.4L L4 F/I	33-2439 ♦+	PS-7000
Equinox	3.6L V6 F/I	33-2439+	HP-2011 ¹
Express 1500	4.3L V6 F/I	E-1986	HP-1001 ¹
Express 1500	5.3L V8 F/I		HP-1017 ¹
Express 2500	4.8L V8 F/I	E-1986	HP-1017 ¹
Express 2500	6.0L V8 F/I	E-1986	HP-1017 ¹
Express 2500	6.6L V8 DSL		HP-3003 ¹
Express 3500	4.8L V8 F/I	E-1986	
Express 3500	6.0L V8 F/I	E-1986	HP-1017 ¹
Express 4500	6.0L V8 F/I		HP-1017 ¹
Impala	2.4L L4 F/I		PS-7000
Impala	2.5L L4 F/I	33-2497	HP-1017 ¹
Impala	3.6L V6 F/I	33-2483	HP-1017 ¹
Impala Limited	3.6L V6 F/I	33-2475 ♦	HP-1017 ¹
Malibu	2.0L L4 F/I	33-2497+	HP-1017 ¹
Malibu	2.4L L4 F/I	33-2442+	PS-7000
Malibu	2.5L L4 F/I	33-2497 ♦+	HP-1017 ¹
Silverado 1500	4.3L V6 F/I	33-2129 ♦+	HP-2011 ¹
Silverado 1500	5.3L V8 F/I	33-2129 ♦+	HP-2011 ¹
Silverado 1500	6.2L V8 F/I	33-2135 ♦+	HP-2011 ¹
Silverado 2500	5.3L V8 F/I		HP-1017 ¹
Silverado 2500 HD	6.0L V8 F/I	33-2135	HP-1017 ¹
Silverado 2500 HD	6.6L V8 DSL	33-2466 ♦	HP-3003 ¹
Silverado 3500 HD	6.0L V8 F/I	33-2135	HP-1017 ¹
Silverado 3500 HD	6.6L V8 DSL	33-2466 ♦	HP-3003 ¹
Sonic	1.4L L4 F/I	33-2476 ♦+	PS-7027
Sonic	1.8L L4 F/I	33-2476 ♦+	PS-7027
Spark	1.0L L4 F/I	33-3001	
Spark	1.2L L4 F/I	33-3001+	
Spark	1.2L L4 F/I - US	33-2492+	
SS	6.2L V8 F/I	33-2919 ♦	HP-1017 ¹
Suburban 1500	5.3L V8 F/I	33-2129 ♦	HP-1017 ¹
Tahoe	5.3L V8 F/I	33-2129 ♦	HP-1017 ¹
Tahoe Hybrid	6.0L V8 F/I	33-2135	HP-1017 ¹
Traverse	3.6L V6 F/I	33-2394+	HP-2011 ¹
Trax	1.4L L4 F/I	33-5007	PS-7027
Volt	1.4L L4 F/I	33-2464+	

Vehicle	Engine Type	Air Filter	Oil Filter
2013 CHEVROLET			
Avalanche	5.3L V8 F/I	33-2129 ♦	HP-1017 ¹
Aveo	1.6L L4 F/I	33-2476	HP-1001 ¹
Beat	1.0L L3 DSL	33-3019	
Camaro	3.6L V6 F/I	33-2434 ♦	PS-7003
Camaro SS	6.2L V8 F/I	33-2434 ♦	HP-1017 ¹
Camaro ZL1	6.2L V8 F/I	33-2434 ♦	HP-1017 ¹
Caprice	6.0L V8 F/I		HP-1017 ¹
Captiva Sport	2.2L L4 DSL	33-2956	
Captiva Sport	2.4L L4 F/I		PS-7000

* 2 filters required ♦ Intake System Available - see page 81 +Cabin Air Filter Available - see page 453 1- Pro Series Filter Available

AIR & OIL FILTERS

CHEVROLET

Vehicle	Engine Type	Air Filter	Oil Filter
2013 CHEVROLET			
Captiva Sport	2.4L L4 F/I - Non-US	33-2956+	PS-7000
Captiva Sport	2.4L L4 F/I - US	33-2404+	PS-7000
Corvette	6.2L V8 F/I	E-0782 ♦	HP-1017 ¹
Corvette Z06	7.0L V8 F/I	E-0782	HP-1017 ¹
Corvette ZR1	6.2L V8 F/I	E-0786 ♦	HP-1017 ¹
Cruze	1.4L L4 F/I	33-2966 ♦+	PS-7027
Cruze	1.6L L4 F/I	33-2964	
Cruze	1.7L L4 DSL	33-2966	
Cruze	1.8L L4 F/I	33-2964 ♦+	PS-7027
Cruze	2.0L L4 DSL	33-2966	
Equinox	2.4L L4 F/I	33-2439 ♦+	PS-7000
Equinox	3.6L V6 F/I	33-2439+	HP-2011 ¹
Express 1500	4.3L V6 F/I	E-1986	
Express 1500	5.3L V8 F/I	E-1986	HP-1017 ¹
Express 2500	4.8L V8 F/I	E-1986	HP-1017 ¹
Express 2500	6.0L V8 F/I	E-1986	HP-1017 ¹
Express 3500	6.0L V8 F/I	E-1986	HP-1017 ¹
Express 4500	6.0L V8 F/I		HP-1017 ¹
Impala	3.6L V6 F/I	33-2475 ♦+	HP-2011 ¹
Malibu	2.0L L4 F/I	33-2497+	HP-1017 ¹
Malibu	2.4L L4 F/I	33-2442+	PS-7000
Malibu	2.5L L4 F/I	33-2497 ♦+	HP-1017 ¹
Silverado 1500	4.3L V6 F/I	33-2129	HP-1001 ¹
Silverado 1500	4.8L V8 F/I	33-2129 ♦	HP-1017 ¹
Silverado 1500	5.3L V8 F/I	33-2129 ♦	HP-1017 ¹
Silverado 1500	6.2L V8 F/I	33-2135 ♦	HP-1017 ¹
Silverado 1500 Hybrid	6.0L V8 F/I	33-2135	HP-1017 ¹
Silverado 2500	5.3L V8 F/I		HP-1017 ¹
Silverado 2500 HD	6.0L V8 F/I	33-2135 ♦	HP-1017 ¹
Silverado 2500 HD	6.6L V8 DSL	33-2466 ♦	HP-3003 ¹
Silverado 3500	6.0L V8 F/I		HP-1017 ¹
Silverado 3500 HD	6.0L V8 F/I	33-2135 ♦	HP-1017 ¹
Silverado 3500 HD	6.6L V8 DSL	33-2466 ♦	HP-3003 ¹
Sonic	1.4L L4 F/I	33-2476 ♦+	PS-7027
Sonic	1.8L L4 F/I	33-2476 ♦+	PS-7027
Spark	1.0L L4 F/I	33-3001	
Spark	1.2L L4 F/I - Non-US	33-3001	
Spark	1.2L L4 F/I - US	33-2492+	
Suburban 1500	5.3L V8 F/I	33-2129 ♦	HP-1017 ¹
Suburban 1500	6.0L V8 F/I		HP-1017 ¹
Suburban 2500	6.0L V8 F/I	33-2135	HP-1017 ¹
Tahoe	5.3L V8 F/I	33-2129 ♦	HP-1017 ¹
Tahoe Hybrid	6.0L V8 F/I	33-2135	HP-1017 ¹
Traverse	3.6L V6 F/I	33-2394+	HP-2011 ¹
Trax	1.4L L4 F/I	33-5007	PS-7027
Volt	1.4L L4 F/I	33-2464+	

2012 CHEVROLET			
Avalanche	5.3L V8 F/I	33-2129 ♦	HP-1017 ¹
Aveo	1.2L L4 F/I	33-2476	
Aveo	1.4L L4 F/I	33-2476	
Aveo	1.6L L4 F/I	33-2476	HP-1001 ¹
Beat	1.0L L3 DSL	33-3019	
Camaro	3.6L V6 F/I	33-2434 ♦	PS-7003
Camaro SS	6.2L V8 F/I	33-2434 ♦	HP-1017 ¹
Camaro ZL1	6.2L V8 F/I	33-2434 ♦	HP-1017 ¹
Caprice	6.0L V8 F/I		HP-1017 ¹
Captiva Sport	2.4L L4 F/I		PS-7000
Captiva Sport	2.4L L4 F/I - Non-US	33-2956+	PS-7000
Captiva Sport	2.4L L4 F/I - US	33-2404+	PS-7000
Captiva Sport	3.0L V6 F/I	33-2404+	HP-2011 ¹
Chevy	1.6L L4 F/I		HP-1001 ¹
Cheyenne	5.3L V8 F/I		HP-1017 ¹
Colorado	2.9L L4 F/I	33-2408 ♦	HP-1007 ¹
Colorado	3.7L L5 F/I	33-2408 ♦	HP-2006 ¹

Vehicle	Engine Type	Air Filter	Oil Filter
2012 CHEVROLET			
Colorado	5.3L V8 F/I	33-2408	HP-1017 ¹
Corvette	6.2L V8 F/I	E-0782 ♦	HP-1017 ¹
Corvette Z06	7.0L V8 F/I	E-0782	HP-1017 ¹
Corvette ZR1	6.2L V8 F/I	E-0786 ♦	HP-1017 ¹
Cruze	1.4L L4 F/I	33-2966 ♦+	PS-7027
Cruze	1.6L L4 F/I	33-2964	
Cruze	1.7L L4 DSL	33-2966	
Cruze	1.8L L4 F/I	33-2964 ♦+	PS-7027
Cruze	2.0L L4 DSL	33-2966	
Equinox	2.4L L4 F/I	33-2439 ♦+	PS-7000
Equinox	3.0L V6 F/I	33-2439 ♦+	HP-2011 ¹
Express 1500	4.3L V6 F/I	E-1986	HP-1001 ¹
Express 1500	5.3L V8 F/I	E-1986	HP-1017 ¹
Express 2500	4.8L V8 F/I	E-1986	HP-1017 ¹
Express 2500	6.0L V8 F/I	E-1986	HP-1017 ¹
Express 3500	4.8L V8 F/I	E-1986	
Express 3500	6.0L V8 F/I	E-1986	HP-1017 ¹
Impala	3.6L V6 F/I	33-2475+	HP-1017 ¹
Malibu	2.4L L4 F/I	33-2296	PS-7000
Malibu	3.6L V6 F/I	33-2296	HP-1017 ¹
Orlando	2.4L L4 F/I		PS-7000
Silverado 1500	4.3L V6 F/I	33-2129	HP-1001 ¹
Silverado 1500	4.8L V8 F/I	33-2129 ♦	HP-1017 ¹
Silverado 1500	5.3L V8 F/I	33-2129 ♦	HP-1017 ¹
Silverado 1500	6.2L V8 F/I	33-2135 ♦	HP-1017 ¹
Silverado 1500 Hybrid	6.0L V8 F/I	33-2135	HP-1017 ¹
Silverado 2500 HD	6.0L V8 F/I	33-2135 ♦	HP-1017 ¹
Silverado 2500 HD	6.6L V8 DSL	33-2466 ♦	HP-3003 ¹
Silverado 3500 HD	6.0L V8 F/I	33-2135 ♦	HP-1017 ¹
Silverado 3500 HD	6.6L V8 DSL	33-2466 ♦	HP-3003 ¹
Sonic	1.4L L4 F/I	33-2476 ♦+	PS-7027
Sonic	1.8L L4 F/I	33-2476 ♦+	PS-7027
Spark	1.2L L4 F/I	33-3001	
Suburban 1500	5.3L V8 F/I	33-2129 ♦	HP-1017 ¹
Suburban 1500	6.0L V8 F/I		HP-1017 ¹
Suburban 2500	6.0L V8 F/I	33-2135	HP-1017 ¹
Tahoe	5.3L V8 F/I	33-2129 ♦	HP-1017 ¹
Tahoe Hybrid	6.0L V8 F/I	33-2135	HP-1017 ¹
Traverse	3.6L V6 F/I	33-2394+	HP-2011 ¹
Volt	1.4L L4 F/I	33-2464+	

2011 CHEVROLET			
Avalanche	5.3L V8 F/I	33-2129 ♦	HP-1017 ¹
Aveo	1.2L L4 F/I	33-2476	
Aveo	1.3L L4 DSL	33-2476	
Aveo	1.4L L4 F/I	33-2476	
Aveo	1.6L L4 F/I		PS-7027
Aveo	1.6L L4 F/I - Non-US	33-2476	PS-7027
Aveo	1.6L L4 F/I - US	33-2320	PS-7027
Aveo5	1.6L L4 F/I	33-2320	PS-7027
Beat	1.0L L3 DSL	33-3019	
Camaro	3.6L V6 F/I	33-2434 ♦	PS-7003
Camaro SS	6.2L V8 F/I	33-2434 ♦	HP-1017 ¹
Caprice	6.0L V8 F/I		HP-1017 ¹
Chevy	1.6L L4 F/I		HP-1001 ¹
Cheyenne	5.3L V8 F/I		HP-1017 ¹
Colorado	2.9L L4 F/I	33-2408 ♦	HP-1007 ¹
Colorado	3.7L L5 F/I	33-2408 ♦	HP-2006 ¹
Colorado	5.3L V8 F/I	33-2408	HP-1017 ¹
Corvette	6.2L V8 F/I	E-0782 ♦	HP-1017 ¹
Corvette Z06	7.0L V8 F/I	E-0782	HP-1017 ¹
Corvette ZR1	6.2L V8 F/I	E-0786 ♦	HP-1017 ¹
Cruze	1.4L L4 F/I	33-2966 ♦+	PS-7027
Cruze	1.6L L4 F/I	33-2964	
Cruze	1.8L L4 F/I	33-2964 ♦+	PS-7027

* 2 filters required ♦ Intake System Available - see page 81 +Cabin Air Filter Available - see page 453 1- Pro Series Filter Available

CHEVROLET

AIR & OIL FILTERS

Vehicle	Engine Type	Air Filter	Oil Filter	Vehicle	Engine Type	Air Filter	Oil Filter
2011 CHEVROLET				2010 CHEVROLET			
Cruze	2.0L L4 DSL	33-2966		Impala	3.5L V6 F/I	33-2334+	HP-2006 ¹
Equinox	2.4L L4 F/I	33-2439 ♦♦	PS-7000	Impala	3.9L V6 F/I	33-2334+	HP-2006 ¹
Equinox	3.0L V6 F/I	33-2439 ♦♦	HP-2011 ¹	Malibu	2.4L L4 F/I	33-2296	PS-7000
Express 1500	4.3L V6 F/I	E-1986		Malibu	3.5L V6 F/I	33-2334	HP-2006 ¹
Express 1500	5.3L V8 F/I	E-1986	HP-1017 ¹	Malibu	3.6L V6 F/I	33-2296	HP-1017 ¹
Express 2500	4.8L V8 F/I	E-1986		Silverado 1500	4.3L V6 F/I	33-2129	HP-1001 ¹
Express 2500	6.0L V8 F/I	E-1986		Silverado 1500	4.8L V8 F/I	33-2129 ♦	HP-1017 ¹
Express 3500	6.0L V8 F/I	E-1986	HP-1017 ¹	Silverado 1500	5.3L V8 F/I	33-2129 ♦	HP-1017 ¹
HHR	2.2L L4 F/I	33-2339 ♦♦	PS-7000	Silverado 1500	6.2L V8 F/I	33-2135 ♦	HP-1017 ¹
HHR	2.4L L4 F/I	33-2339 ♦♦	PS-7000	Silverado 1500 Hybrid	6.0L V8 F/I	33-2135	HP-1017 ¹
Impala	3.5L V6 F/I	33-2334+	HP-2006 ¹	Silverado 2500	5.3L V8 F/I		HP-1017 ¹
Impala	3.9L V6 F/I	33-2334+	HP-2006 ¹	Silverado 2500 HD	6.0L V8 F/I	33-2135 ♦	HP-1017 ¹
Malibu	2.4L L4 F/I	33-2296	PS-7000	Silverado 2500 HD	6.6L V8 DSL	E-0781 ♦	HP-3003 ¹
Malibu	3.6L V6 F/I	33-2296	HP-1017 ¹	Silverado 3500 HD	6.0L V8 F/I	33-2135 ♦	HP-1017 ¹
Silverado 1500	4.3L V6 F/I	33-2129	HP-1001 ¹	Silverado 3500 HD	6.6L V8 DSL	E-0781 ♦	HP-3003 ¹
Silverado 1500	4.8L V8 F/I	33-2129 ♦	HP-1017 ¹	Suburban 1500	5.3L V8 F/I	33-2129 ♦	HP-1017 ¹
Silverado 1500	5.3L V8 F/I	33-2129 ♦	HP-1017 ¹	Suburban 1500	6.0L V8 F/I		HP-1017 ¹
Silverado 1500	6.2L V8 F/I	33-2135 ♦	HP-1017 ¹	Suburban 2500	6.0L V8 F/I	33-2135	HP-1017 ¹
Silverado 1500 Hybrid	6.0L V8 F/I	33-2135	HP-1017 ¹	Tahoe	5.3L V8 F/I	33-2129 ♦	HP-1017 ¹
Silverado 2500	5.3L V8 F/I		HP-1017 ¹	Tahoe Hybrid	6.0L V8 F/I	33-2135	HP-1017 ¹
Silverado 2500 HD	6.0L V8 F/I	33-2135 ♦	HP-1017 ¹	Traverse	3.6L V6 F/I	33-2394+	HP-1017 ¹
Silverado 2500 HD	6.6L V8 DSL	33-2466 ♦	HP-3003 ¹	2009 CHEVROLET			
Silverado 3500	6.0L V8 F/I		HP-1017 ¹	Avalanche	5.3L V8 F/I	33-2129 ♦	HP-1017 ¹
Silverado 3500 HD	6.0L V8 F/I	33-2135 ♦	HP-1017 ¹	Avalanche	6.0L V8 F/I	33-2135 ♦	HP-1017 ¹
Silverado 3500 HD	6.6L V8 DSL	33-2466 ♦	HP-3003 ¹	Aveo	1.2L L4 F/I	33-2320	
Spark	1.0L L4 F/I	33-3001		Aveo	1.4L L4 F/I	33-2320	
Suburban 1500	5.3L V8 F/I	33-2129 ♦	HP-1017 ¹	Aveo	1.6L L4 F/I	33-2320	PS-7027
Suburban 1500	6.0L V8 F/I		HP-1017 ¹	Aveo5	1.6L L4 F/I	33-2320	PS-7027
Suburban 2500	6.0L V8 F/I	33-2135	HP-1017 ¹	C5500 Kodiak	6.6L V8 DSL		HP-3003 ¹
Tahoe	5.3L V8 F/I	33-2129 ♦	HP-1017 ¹	Chevy	1.6L L4 F/I		HP-1001 ¹
Tahoe Hybrid	6.0L V8 F/I	33-2135	HP-1017 ¹	Cobalt	2.0L L4 F/I	33-2311 ♦+	PS-7000
Traverse	3.6L V6 F/I	33-2394+	HP-2011 ¹	Cobalt	2.2L L4 F/I	33-2311 ♦+	PS-7000
Volt	1.4L L4 F/I	33-2464+		Colorado	2.9L L4 F/I	33-2408 ♦	HP-1007 ¹
2010 CHEVROLET				Colorado	3.7L L5 F/I	33-2408 ♦	HP-2006 ¹
Avalanche	5.3L V8 F/I	33-2129 ♦	HP-1017 ¹	Colorado	5.3L V8 F/I	33-2408	HP-1017 ¹
Aveo	1.2L L4 F/I	33-2320		Corvette	6.2L V8 F/I	E-0782 ♦	HP-1017 ¹
Aveo	1.4L L4 F/I	33-2320		Corvette Z06	7.0L V8 F/I	E-0782 ♦	HP-1017 ¹
Aveo	1.6L L4 F/I	33-2320	PS-7027	Corvette ZR1	6.2L V8 F/I	E-0786 ♦	HP-1017 ¹
Aveo5	1.6L L4 F/I	33-2320	PS-7027	Cruze	1.8L L4 F/I	33-2964	
Camaro	3.6L V6 F/I	33-2434 ♦	PS-7003	Cruze	2.0L L4 DSL	33-2966	
Camaro SS	6.2L V8 F/I	33-2434 ♦	HP-1017 ¹	Equinox	3.4L V6 F/I	33-2296	HP-1001 ¹
Chevy	1.6L L4 F/I		HP-1001 ¹	Equinox	3.6L V6 F/I	33-2296	HP-1017 ¹
Cheyenne	5.3L V8 F/I		HP-1017 ¹	Express 1500	4.3L V6 F/I	E-1986	
Cobalt	2.0L L4 F/I	33-2311 ♦+	PS-7000	Express 1500	5.3L V8 F/I	E-1986	
Cobalt	2.2L L4 F/I	33-2311 ♦+	PS-7000	Express 2500	4.8L V8 F/I	E-1986	HP-1017 ¹
Colorado	2.9L L4 F/I	33-2408 ♦	HP-1007 ¹	Express 2500	6.0L V8 F/I	E-1986	
Colorado	3.7L L5 F/I	33-2408 ♦	HP-2006 ¹	Express 3500	6.0L V8 F/I	E-1986	HP-1017 ¹
Colorado	5.3L V8 F/I	33-2408	HP-1017 ¹	HHR	2.0L L4 F/I	E-1989 ♦+	PS-7000
Corvette	6.2L V8 F/I	E-0782 ♦	HP-1017 ¹	HHR	2.2L L4 F/I	33-2339+	PS-7000
Corvette Z06	7.0L V8 F/I	E-0782	HP-1017 ¹	HHR	2.4L L4 F/I	33-2339 ♦+	PS-7000
Corvette ZR1	6.2L V8 F/I	E-0786 ♦	HP-1017 ¹	Impala	3.5L V6 F/I	33-2334+	HP-2006 ¹
Cruze	1.6L L4 F/I	33-2964		Impala	3.9L V6 F/I	33-2334+	HP-2006 ¹
Cruze	1.8L L4 F/I	33-2964	PS-7027	Impala	5.3L V8 F/I	33-2334 ♦+	HP-1017 ¹
Cruze	2.0L L4 DSL	33-2966		Malibu	2.4L L4 F/I	33-2296	PS-7000
Equinox	2.4L L4 F/I	33-2439 ♦+	PS-7000	Malibu	3.5L V6 F/I	33-2296	HP-2006 ¹
Equinox	3.0L V6 F/I	33-2439 ♦+	HP-1017 ¹	Malibu	3.6L V6 F/I	33-2296	HP-1017 ¹
Express 1500	4.3L V6 F/I	E-1986	HP-1001 ¹	Silverado 1500	4.3L V6 F/I	33-2129	HP-1001 ¹
Express 1500	5.3L V8 F/I	E-1986	HP-1017 ¹	Silverado 1500	4.8L V8 F/I	33-2129 ♦	HP-1017 ¹
Express 2500	4.8L V8 F/I	E-1986	HP-1017 ¹	Silverado 1500	5.3L V8 F/I	33-2129 ♦	HP-1017 ¹
Express 2500	6.0L V8 F/I	E-1986	HP-1017 ¹	Silverado 1500	6.0L V8 F/I	33-2135 ♦	HP-1017 ¹
Express 3500	6.0L V8 F/I	E-1986		Silverado 1500	6.2L V8 F/I	33-2135 ♦	HP-1017 ¹
HHR	2.0L L4 F/I	E-1989 ♦+	PS-7000	Silverado 1500 Hybrid	6.0L V8 F/I	33-2135	HP-1017 ¹
HHR	2.2L L4 F/I	33-2339 ♦+	PS-7000	Silverado 2500	5.3L V8 F/I		HP-1017 ¹
HHR	2.4L L4 F/I	33-2339 ♦+	PS-7000	Silverado 2500 HD	6.0L V8 F/I	33-2135 ♦	HP-1017 ¹

* 2 filters required ♦ Intake System Available - see page 81 +Cabin Air Filter Available - see page 453 1- Pro Series Filter Available

AIR & OIL FILTERS

CHEVROLET

Vehicle	Engine Type	Air Filter	Oil Filter
2009 CHEVROLET			
Silverado 2500 HD	6.6L V8 DSL	E-0781 ♦	HP-3003 ¹
Silverado 3500 HD	6.0L V8 F/I	33-2135 ♦	HP-1017 ¹
Silverado 3500 HD	6.6L V8 DSL	E-0781 ♦	HP-3003 ¹
Suburban 1500	5.3L V8 F/I	33-2129 ♦	HP-1017 ¹
Suburban 1500	6.0L V8 F/I	33-2135 ♦	HP-1017 ¹
Suburban 2500	6.0L V8 F/I	33-2135	HP-1017 ¹
Tahoe	4.8L V8 F/I	33-2129 ♦	HP-1017 ¹
Tahoe	5.3L V8 F/I	33-2129 ♦	HP-1017 ¹
Tahoe	6.2L V8 F/I	33-2135 ♦	HP-1017 ¹
Tahoe Hybrid	6.0L V8 F/I	33-2135	HP-1017 ¹
TrailBlazer	4.2L L6 F/I	E-1009 ♦	HP-2006 ¹
TrailBlazer	5.3L V8 F/I	E-1009	
TrailBlazer	6.0L V8 F/I	E-1009	HP-1017 ¹
Traverse	3.6L V6 F/I	33-2394 ⁺	HP-1017 ¹
Uplander	3.9L V6 F/I	33-2318 ⁺	HP-2006 ¹
2008 CHEVROLET			
Avalanche	5.3L V8 F/I	33-2129 ♦	HP-1017 ¹
Avalanche	6.0L V8 F/I	33-2135 ♦	HP-1017 ¹
Aveo	1.2L L4 F/I	33-2320	
Aveo	1.4L L4 F/I	33-2320	
Aveo	1.6L L4 F/I	33-2320	HP-1001 ¹
Aveo5	1.6L L4 F/I		HP-1001 ¹
C4500 Kodiak	6.6L V8 DSL		HP-3003 ¹
C5500 Kodiak	6.6L V8 DSL		HP-3003 ¹
Chevy	1.6L L4 F/I		HP-1001 ¹
Cobalt	2.0L L4 F/I	33-2311 ♦+	PS-7000
Cobalt	2.2L L4 F/I	33-2311 ♦+	PS-7000
Cobalt	2.4L L4 F/I	33-2311 ♦+	PS-7000
Cobalt	2.4L L4 F/I	33-2311 ♦+	PS-7000
Colorado	2.9L L4 F/I	33-2408 ♦	HP-1007 ¹
Colorado	3.7L L5 F/I	33-2408 ♦	HP-2006 ¹
Corsa	1.8L L4 F/I		HP-1001 ¹
Corvette	6.2L V8 F/I	E-0782 ♦	HP-1017 ¹
Corvette Z06	7.0L V8 F/I	E-0782 ♦	HP-1017 ¹
Equinox	3.4L V6 F/I	33-2296	HP-1001 ¹
Equinox	3.6L V6 F/I	33-2296	HP-1017 ¹
Express 1500	4.3L V6 F/I	E-1986	HP-1001 ¹
Express 1500	5.3L V8 F/I	E-1986	HP-1017 ¹
Express 2500	4.8L V8 F/I	E-1986	HP-1017 ¹
Express 2500	6.0L V8 F/I	E-1986	HP-1017 ¹
Express 2500	6.6L V8 DSL		HP-3003 ¹
Express 3500	6.0L V8 F/I	E-1986	HP-1017 ¹
Express 3500	6.6L V8 DSL		HP-3003 ¹
HHR	2.0L L4 F/I	E-1989 ♦+	PS-7000
HHR	2.2L L4 F/I	33-2339 ⁺	PS-7000
HHR	2.4L L4 F/I	33-2339 ♦+	PS-7000
Impala	3.5L V6 F/I	33-2334 ⁺	HP-2006 ¹
Impala	3.9L V6 F/I	33-2334 ⁺	HP-2006 ¹
Impala	5.3L V8 F/I	33-2334 ♦+	HP-1017 ¹
Malibu	2.2L L4 F/I		PS-7000
Malibu	2.4L L4 F/I	33-2296	PS-7000
Malibu	3.5L V6 F/I	33-2315	HP-2006 ¹
Malibu	3.6L V6 F/I	33-2296	HP-1017 ¹
Silverado 1500	4.3L V6 F/I	33-2129	HP-1001 ¹
Silverado 1500	4.8L V8 F/I	33-2129 ♦	HP-1017 ¹
Silverado 1500	5.3L V8 F/I	33-2129 ♦	HP-1017 ¹
Silverado 1500	6.0L V8 F/I	33-2135 ♦	HP-1017 ¹
Silverado 2500	5.3L V8 F/I		HP-1017 ¹
Silverado 2500 HD	6.0L V8 F/I	33-2135 ♦	HP-1017 ¹
Silverado 2500 HD	6.6L V8 DSL	E-0781 ♦	HP-3003 ¹
Silverado 3500 HD	6.0L V8 F/I	33-2135 ♦	HP-1017 ¹
Silverado 3500 HD	6.6L V8 DSL	E-0781 ♦	HP-3003 ¹
Suburban 1500	5.3L V8 F/I	33-2129 ♦	HP-1017 ¹
Suburban 1500	6.0L V8 F/I	33-2135 ♦	HP-1017 ¹
Suburban 2500	6.0L V8 F/I	33-2135	HP-1017 ¹

Vehicle	Engine Type	Air Filter	Oil Filter
2008 CHEVROLET			
Tahoe	4.8L V8 F/I	33-2129 ♦	HP-1017 ¹
Tahoe	5.3L V8 F/I	33-2129 ♦	HP-1017 ¹
Tahoe Hybrid	6.0L V8 F/I	33-2135	HP-1017 ¹
TrailBlazer	4.2L L6 F/I	E-1009 ♦	HP-2006 ¹
TrailBlazer	5.3L V8 F/I	E-1009	HP-1017 ¹
TrailBlazer	6.0L V8 F/I	E-1009 ♦	HP-1017 ¹
Uplander	3.9L V6 F/I	33-2318 ⁺	HP-2006 ¹
2007 CHEVROLET			
Avalanche	5.3L V8 F/I	33-2129 ♦	HP-1017 ¹
Avalanche	6.0L V8 F/I	33-2135 ♦	HP-1017 ¹
Aveo	1.2L L4 F/I	33-2320	
Aveo	1.4L L4 F/I	33-2320	
Aveo	1.6L L4 F/I	33-2320	HP-1001 ¹
Aveo5	1.6L L4 F/I		HP-1001 ¹
Blazer	4.3L V6 F/I	33-2042	
Blazer	4.3L V6 F/I - 2WD	33-2042	HP-1001 ¹
Blazer	4.3L V6 F/I - 4WD	33-2042	HP-2001 ¹
C4500 Kodiak	6.6L V8 DSL		HP-3003 ¹
C5500 Kodiak	6.6L V8 DSL		HP-3003 ¹
Camaro	3.8L V6 F/I	33-2118	HP-1001 ¹
Camaro	5.7L V8 F/I	33-2118	HP-1007 ¹
Captiva Sport	2.4L L4 F/I	33-2956	
Chevy II	1.6L L4 F/I		HP-1001 ¹
Cheyenne 2500	5.3L V8 F/I		HP-1007 ¹
Cobalt	2.0L L4 F/I	E-0777 ⁺	PS-7000
Cobalt	2.2L L4 F/I	33-2311 ♦+	PS-7000
Cobalt	2.4L L4 F/I	33-2311 ♦+	PS-7000
Cobalt	2.4L L4 F/I	33-2311 ♦+	PS-7000
Colorado	2.9L L4 F/I	E-0773 ♦	HP-1007 ¹
Colorado	3.7L L5 F/I	E-0773 ♦	HP-2006 ¹
Corvette	6.0L V8 F/I	33-2305* ♦	HP-1017 ¹
Corvette Z06	7.0L V8 F/I	E-0782 ♦	HP-1017 ¹
Equinox	3.4L V6 F/I	33-2296	HP-1001 ¹
Evanda	2.0L L4 F/I	33-2253	
Express 1500	4.3L V6 F/I	E-1008	HP-1001 ¹
Express 1500	5.3L V8 F/I	E-1008	HP-1017 ¹
Express 2500	4.8L V8 F/I	E-1008	HP-1017 ¹
Express 2500	6.0L V8 F/I	E-1008	HP-1017 ¹
Express 3500	6.0L V8 F/I	E-1008	HP-1017 ¹
HHR	2.2L L4 F/I	33-2339 ⁺	PS-7000
HHR	2.4L L4 F/I	33-2339 ♦+	PS-7000
Impala	3.5L V6 F/I	33-2334 ⁺	HP-2006 ¹
Impala	3.9L V6 F/I	33-2334 ⁺	HP-2006 ¹
Impala	5.3L V8 F/I	33-2334 ♦+	HP-1017 ¹
Impala	5.3L V8 F/I	33-2334 ♦+	HP-1017 ¹
Malibu	2.2L L4 F/I	33-2310	PS-7000
Malibu	3.5L V6 F/I	33-2315	HP-2006 ¹
Malibu	3.9L V6 F/I	33-2315	HP-2006 ¹
Monte Carlo	3.5L V6 F/I	33-2334 ⁺	HP-2006 ¹
Monte Carlo	5.3L V8 F/I	33-2334 ♦+	HP-1017 ¹
Optra	2.0L L4 F/I		HP-1001 ¹
Silverado 1500	4.3L V6 F/I	33-2129	HP-1001 ¹
Silverado 1500	4.8L V8 F/I	33-2129 ♦	HP-1017 ¹
Silverado 1500	5.3L V8 F/I	33-2129 ♦	HP-1017 ¹
Silverado 1500	6.0L V8 F/I	33-2135 ♦	HP-1017 ¹
Silverado 1500	4.3L V6 F/I	33-2129 ♦	HP-1001 ¹
Classic			
Silverado 1500	4.8L V8 F/I	33-2129 ♦	HP-1017 ¹
Classic			
Silverado 1500	5.3L V8 F/I	33-2129 ♦	HP-1017 ¹
Classic			
Silverado 1500	6.0L V8 F/I	33-2135 ♦	HP-1017 ¹
Classic			
Silverado 1500 HD	6.0L V8 F/I	33-2135 ♦	HP-1017 ¹
Classic			
Silverado 2500	5.3L V8 F/I		HP-1017 ¹

* 2 filters required ♦ Intake System Available - see page 81 +Cabin Air Filter Available - see page 453 1- Pro Series Filter Available

CHEVROLET

AIR & OIL FILTERS

Vehicle	Engine Type	Air Filter	Oil Filter
2007 CHEVROLET			
Silverado 2500 HD	6.0L V8 F/I	33-2135 ♦	HP-1017 ¹
Silverado 2500 HD	6.6L V8 DSL	E-0781 ♦	HP-3003 ¹
Silverado 2500 HD Classic	6.0L V8 F/I	33-2135 ♦	HP-1017 ¹
Silverado 2500 HD Classic	6.6L V8 DSL	E-0781 ♦	HP-3003 ¹
Silverado 2500 HD Classic	8.1L V8 F/I	33-2135 ♦	HP-1011 ¹
Silverado 3500 Classic	6.0L V8 F/I	33-2135 ♦	HP-1017 ¹
Silverado 3500 Classic	6.6L V8 DSL	E-0781 ♦	HP-3003 ¹
Silverado 3500 Classic	8.1L V8 F/I	33-2135 ♦	
Silverado 3500 HD	6.0L V8 F/I	33-2135 ♦	HP-1017 ¹
Silverado 3500 HD	6.6L V8 DSL	E-0781 ♦	HP-3003 ¹
Silverado SS	6.0L V8 F/I	33-2135	HP-1017 ¹
Silverado SS Classic	6.0L V8 F/I	33-2135 ♦	HP-1017 ¹
SSR	6.0L V8 F/I	33-2322	
Suburban 1500	5.3L V8 F/I	33-2129 ♦	HP-1017 ¹
Suburban 1500	6.0L V8 F/I	33-2135 ♦	HP-1017 ¹
Suburban 2500	6.0L V8 F/I	33-2135 ♦	HP-1017 ¹
Tahoe	4.8L V8 F/I	33-2129 ♦	HP-1017 ¹
Tahoe	5.3L V8 F/I	33-2129 ♦	HP-1017 ¹
TrailBlazer	4.2L L6 F/I	E-1009 ♦	HP-2006 ¹
TrailBlazer	5.3L V8 F/I	E-1009	HP-1017 ¹
TrailBlazer	6.0L V8 F/I	E-1009 ♦	HP-1017 ¹
Uplander	3.9L V6 F/I	33-2318 ⁺	HP-2006 ¹

Vehicle	Engine Type	Air Filter	Oil Filter
2006 CHEVROLET			
Avalanche 1500	5.3L V8 F/I	33-2129 ♦	HP-1007 ¹
Avalanche 2500	8.1L V8 F/I	33-2135 ♦	HP-1011 ¹
Aveo	1.2L L4 F/I	33-2320	
Aveo	1.4L L4 F/I	33-2320	
Aveo	1.6L L4 F/I	33-2320	HP-1001 ¹
Aveo5	1.6L L4 F/I		HP-1001 ¹
Blazer	4.3L V6 F/I	33-2042	
Blazer	4.3L V6 F/I - 2WD	33-2042	HP-1001 ¹
Blazer	4.3L V6 F/I - 4WD	33-2042	HP-2001 ¹
Camaro	3.8L V6 F/I	33-2118	HP-1001 ¹
Camaro	5.7L V8 F/I	33-2118	HP-1007 ¹
Captiva Sport	2.4L L4 F/I	33-2956	
Chevy	1.6L L4 F/I		HP-1001 ¹
Cheyenne	5.3L V8 F/I		HP-1007 ¹
Cobalt	2.0L L4 F/I	E-0777 ♦+	PS-7000
Cobalt	2.2L L4 F/I	33-2311 ♦+	PS-7000
Cobalt	2.4L L4 F/I	33-2311 ♦+	PS-7000
Colorado	2.8L L4 F/I	E-0773 ♦	HP-1007 ¹
Colorado	3.5L L5 F/I	E-0773 ♦	HP-2006 ¹
Corsa	1.8L L4 F/I - SOHC		HP-1001 ¹
Corvette	6.0L V8 F/I	33-2305* ♦	HP-1007 ¹
Corvette Z06	7.0L V8 F/I	E-0782 ♦	HP-1017 ¹
Equinox	3.4L V6 F/I	33-2296	HP-1001 ¹
Express 1500	4.3L V6 F/I	E-1008	HP-1001 ¹
Express 1500	5.3L V8 F/I	E-1008	HP-1007 ¹
Express 2500	4.8L V8 F/I	E-1008	HP-1007 ¹
Express 2500	6.0L V8 F/I	E-1008	HP-1007 ¹
Express 2500	6.6L V8 DSL	E-0783	HP-3003 ¹
Express 3500	4.8L V8 F/I	E-1008	
Express 3500	6.0L V8 F/I	E-1008	HP-1007 ¹
Express 3500	6.6L V8 DSL	E-0783	HP-3003 ¹
HHR	2.2L L4 F/I	33-2339 ⁺	PS-7000
HHR	2.4L L4 F/I	33-2339 ♦+	PS-7000
Impala	3.5L V6 F/I	33-2334 ⁺	HP-2006 ¹
Impala	3.9L V6 F/I	33-2334 ⁺	HP-2006 ¹
Impala	5.3L V8 F/I	33-2334 ♦+	HP-1007 ¹

Vehicle	Engine Type	Air Filter	Oil Filter
2006 CHEVROLET			
Malibu	2.2L L4 F/I	33-2310	PS-7000
Malibu	3.5L V6 F/I	33-2310	HP-1001 ¹
Malibu	3.9L V6 F/I	33-2315	HP-2006 ¹
Monte Carlo	3.5L V6 F/I	33-2334 ⁺	HP-2006 ¹
Monte Carlo	3.9L V6 F/I	33-2334 ⁺	HP-2006 ¹
Monte Carlo	5.3L V8 F/I	33-2334 ♦+	HP-1007 ¹
Optra	2.0L L4 F/I		HP-1001 ¹
Silverado 1500	4.3L V6 F/I	33-2129 ♦	HP-1001 ¹
Silverado 1500	4.8L V8 F/I	33-2129 ♦	HP-1007 ¹
Silverado 1500	5.3L V8 F/I	33-2129 ♦	HP-1007 ¹
Silverado 1500	6.0L V8 F/I	33-2135 ♦	HP-1007 ¹
Silverado 1500 HD	6.0L V8 F/I	33-2135 ♦	HP-1007 ¹
Silverado 2500 HD	6.0L V8 F/I	33-2135 ♦	HP-1007 ¹
Silverado 2500 HD	6.6L V8 DSL	E-0781 ♦	HP-3003 ¹
Silverado 2500 HD	8.1L V8 F/I	33-2135 ♦	HP-1011 ¹
Silverado 3500	6.0L V8 F/I	33-2135 ♦	HP-1007 ¹
Silverado 3500	6.6L V8 DSL	E-0781 ♦	HP-3003 ¹
Silverado 3500	8.1L V8 F/I	33-2135 ♦	HP-1011 ¹
Silverado SS	6.0L V8 F/I	33-2135 ♦	HP-1007 ¹
SSR	6.0L V8 F/I	33-2322 ♦	HP-1007 ¹
Suburban 1500	5.3L V8 F/I	33-2129 ♦	HP-1007 ¹
Suburban 1500	6.0L V8 F/I	33-2135 ♦	HP-1007 ¹
Suburban 2500	6.0L V8 F/I	33-2135 ♦	HP-1007 ¹
Suburban 2500	8.1L V8 F/I	33-2135 ♦	HP-1011 ¹
Tahoe	4.8L V8 F/I	33-2129 ♦	HP-1007 ¹
Tahoe	5.3L V8 F/I	33-2129 ♦	HP-1007 ¹
TrailBlazer	4.2L L6 F/I	E-1009 ♦	HP-2006 ¹
TrailBlazer	5.3L V8 F/I	E-1009	HP-1007 ¹
TrailBlazer	6.0L V8 F/I	E-1009 ♦	HP-1007 ¹
Uplander	3.5L V6 F/I	33-2318 ⁺	HP-1001 ¹
Uplander	3.9L V6 F/I	33-2318 ⁺	HP-2006 ¹

Vehicle	Engine Type	Air Filter	Oil Filter
2005 CHEVROLET			
Astro	4.3L V6 F/I	33-2225	HP-1001 ¹
Avalanche 1500	5.3L V8 F/I	33-2129 ♦	HP-1007 ¹
Avalanche 2500	8.1L V8 F/I	33-2135 ♦	HP-1011 ¹
Aveo	1.6L L4 F/I	33-2320	HP-1001 ¹
Blazer	4.3L V6 F/I	33-2042 ♦	
Blazer	4.3L V6 F/I - 2WD	33-2042	HP-1001 ¹
Blazer	4.3L V6 F/I - 4WD	33-2042	HP-2001 ¹
Camaro	3.8L V6 F/I	33-2118	
Camaro	5.7L V8 F/I	33-2118	HP-1007 ¹
Cavalier	2.2L L4 F/I	33-2143 ♦	PS-7000
Chevy	1.6L L4 F/I		HP-1001 ¹
Cheyenne	5.3L V8 F/I		HP-1007 ¹
Classic	2.2L L4 F/I	33-2121-1	PS-7000
Cobalt	2.0L L4 F/I	E-0777 ♦+	PS-7000
Cobalt	2.2L L4 F/I	33-2311 ♦+	PS-7000
Cobalt	2.4L L4 F/I	33-2311	
Colorado	2.8L L4 F/I	E-0773 ♦	HP-1007 ¹
Colorado	3.5L L5 F/I	E-0773 ♦	HP-2006 ¹
Corvette	6.0L V8 F/I	33-2305* ♦	HP-1007 ¹
Equinox	3.4L V6 F/I	33-2296	HP-1001 ¹
Express 1500	4.3L V6 F/I	E-1008	HP-1001 ¹
Express 1500	5.3L V8 F/I	E-1008	HP-1007 ¹
Express 2500	4.8L V8 F/I	E-1008	HP-1007 ¹
Express 2500	5.3L V8 F/I	E-1008	
Express 2500	6.0L V8 F/I	E-1008	HP-1007 ¹
Express 3500	6.0L V8 F/I	E-1008	HP-1007 ¹
Impala	3.4L V6 F/I	33-2141-1 ⁺	HP-1001 ¹
Impala	3.8L V6 F/I	33-2141-1 ♦+	HP-1001 ¹
Malibu	2.2L L4 F/I	33-2310	PS-7000
Malibu	3.5L V6 F/I	33-2310	HP-1001 ¹
Monte Carlo	3.4L V6 F/I	33-2141-1 ⁺	HP-1001 ¹
Monte Carlo	3.8L V6 F/I	33-2141-1 ♦+	HP-1001 ¹

* 2 filters required ♦ Intake System Available - see page 81 +Cabin Air Filter Available - see page 453 1- Pro Series Filter Available

AIR & OIL FILTERS

CHEVROLET

Vehicle	Engine Type	Air Filter	Oil Filter
2005 CHEVROLET			
Optra	1.6L L4 F/I	33-2330	
Optra	1.8L L4 F/I	33-2330	
Optra	2.0L L4 F/I		HP-1001 ¹
Silverado 1500	4.3L V6 F/I	33-2129 ♦	HP-1001 ¹
Silverado 1500	4.8L V8 F/I	33-2129 ♦	HP-1007 ¹
Silverado 1500	5.3L V8 F/I	33-2129 ♦	HP-1007 ¹
Silverado 1500 HD	6.0L V8 F/I	33-2135 ♦	HP-1007 ¹
Silverado 2500 HD	6.0L V8 F/I	33-2135 ♦	HP-1007 ¹
Silverado 2500 HD	6.6L V8 DSL		HP-3003 ¹
Silverado 2500 HD	6.6L V8 DSL - w/Panel Filter	33-2135 ♦	HP-3003
Silverado 2500 HD	6.6L V8 DSL - w/Round Filter	E-0781 ♦	HP-3003
Silverado 2500 HD	8.1L V8 F/I	33-2135 ♦	HP-1011 ¹
Silverado 3500	6.0L V8 F/I	33-2135 ♦	HP-1007 ¹
Silverado 3500	6.6L V8 DSL		HP-3003 ¹
Silverado 3500	6.6L V8 DSL - w/Panel Filter	33-2135 ♦	HP-3003
Silverado 3500	6.6L V8 DSL - w/Round Filter	E-0781 ♦	HP-3003
Silverado 3500	8.1L V8 F/I	33-2135 ♦	HP-1011 ¹
Silverado SS	6.0L V8 F/I	33-2135 ♦	HP-1007 ¹
SSR	6.0L V8 F/I	33-2322 ♦	HP-1007 ¹
Suburban 1500	5.3L V8 F/I	33-2129 ♦	HP-1007 ¹
Suburban 2500	6.0L V8 F/I	33-2135 ♦	HP-1007 ¹
Suburban 2500	8.1L V8 F/I	33-2135 ♦	HP-1011 ¹
Tahoe	4.8L V8 F/I	33-2129 ♦	HP-1007 ¹
Tahoe	5.3L V8 F/I	33-2129 ♦	HP-1007 ¹
TrailBlazer	4.2L L6 F/I	E-1009 ♦	HP-2006 ¹
TrailBlazer	5.3L V8 F/I	E-1009	HP-1007 ¹
Uplander	3.5L V6 F/I	33-2318+	HP-1001 ¹
Venture	3.4L V6 F/I	33-2156+	HP-1001 ¹

Vehicle	Engine Type	Air Filter	Oil Filter
2004 CHEVROLET			
Astro	4.3L V6 F/I	33-2225	HP-1001 ¹
Avalanche 1500	5.3L V8 F/I	33-2129 ♦	HP-1007 ¹
Avalanche 2500	8.1L V8 F/I	33-2135 ♦	HP-1011 ¹
Aveo	1.6L L4 F/I	33-2320	HP-1001 ¹
Blazer	4.3L V6 F/I	33-2042 ♦	
Blazer	4.3L V6 F/I - 2WD	33-2042	HP-1001 ¹
Blazer	4.3L V6 F/I - 4WD	33-2042	HP-2001 ¹
Camaro	5.7L V8 F/I	33-2118	HP-1007 ¹
Cavalier	2.2L L4 F/I	33-2143 ♦	PS-7000
Chevy	1.6L L4 F/I		HP-1001 ¹
Cheyenne	5.3L V8 F/I		HP-1007 ¹
Classic	2.2L L4 F/I	33-2121-1	PS-7000
Colorado	2.8L L4 F/I	E-0773 ♦	HP-1007 ¹
Colorado	3.5L L5 F/I	E-0773 ♦	HP-2006 ¹
Corvette	5.7L V8 F/I	33-2111 ♦	HP-1007 ¹
Corvette Z06	5.7L V8 F/I	33-2111 ♦	HP-1007 ¹
Express 1500	4.3L V6 F/I	E-1008	HP-1001 ¹
Express 1500	5.3L V8 F/I	E-1008	HP-1007 ¹
Express 2500	4.8L V8 F/I	E-1008	
Express 2500	6.0L V8 F/I	E-1008	HP-1007 ¹
Express 3500	6.0L V8 F/I	E-1008	HP-1007 ¹
Impala	3.4L V6 F/I	33-2141-1+	HP-1001 ¹
Impala	3.8L V6 F/I	33-2141-1 ♦+	HP-1001 ¹
Malibu	2.2L L4 F/I	33-2310	PS-7000
Malibu	3.5L V6 F/I	33-2310	HP-1001 ¹
Monte Carlo	3.4L V6 F/I	33-2141-1+	HP-1001 ¹
Monte Carlo	3.8L V6 F/I	33-2141-1 ♦+	HP-1001 ¹
Optra	1.6L L4 F/I	33-2330	
Optra	1.8L L4 F/I	33-2330	
Optra	2.0L L4 F/I		HP-1001 ¹
S10 Pickup	4.3L V6 F/I	33-2042 ♦	HP-1001 ¹
Silverado 1500	4.3L V6 F/I	33-2129 ♦	HP-1001 ¹

Vehicle	Engine Type	Air Filter	Oil Filter
2004 CHEVROLET			
Silverado 1500	4.8L V8 F/I	33-2129 ♦	HP-1007 ¹
Silverado 1500	5.3L V8 F/I	33-2129 ♦	HP-1007 ¹
Silverado 2500	5.3L V8 F/I		HP-1007 ¹
Silverado 2500	6.0L V8 F/I	33-2135 ♦	HP-1007 ¹
Silverado 2500 HD	6.0L V8 F/I	33-2135 ♦	HP-1007 ¹
Silverado 2500 HD	6.6L V8 DSL	33-2135 ♦	HP-3003 ¹
Silverado 2500 HD	8.1L V8 F/I	33-2135 ♦	HP-1011 ¹
Silverado 3500	6.0L V8 F/I	33-2135 ♦	HP-1007 ¹
Silverado 3500	6.6L V8 DSL	33-2135 ♦	HP-3003 ¹
Silverado 3500	6.6L V8 DSL - LB7	33-2135	HP-3003 ¹
Silverado 3500	8.1L V8 F/I	33-2135 ♦	HP-1011 ¹
Silverado SS	6.0L V8 F/I	33-2135 ♦	HP-1007 ¹
SSR	5.3L V8 F/I	33-2322 ♦	HP-1007 ¹
Suburban 1500	5.3L V8 F/I	33-2129 ♦	HP-1007 ¹
Suburban 2500	6.0L V8 F/I	33-2135 ♦	HP-1007 ¹
Suburban 2500	8.1L V8 F/I	33-2135 ♦	HP-1011 ¹
Tahoe	4.8L V8 F/I	33-2129 ♦	HP-1007 ¹
Tahoe	5.3L V8 F/I	33-2129 ♦	HP-1007 ¹
Tracker	2.5L V6 F/I	33-2155	HP-1002 ¹
TrailBlazer	4.2L L6 F/I	E-1009 ♦	HP-2006 ¹
TrailBlazer	5.3L V8 F/I	E-1009 ♦	HP-1007 ¹
Venture	3.4L V6 F/I	33-2156+	HP-1001 ¹

Vehicle	Engine Type	Air Filter	Oil Filter
2003 CHEVROLET			
Astro	4.3L V6 F/I	33-2225	HP-1001 ¹
Avalanche 1500	5.3L V8 F/I	33-2129 ♦	HP-1007 ¹
Avalanche 2500	8.1L V8 F/I	33-2135 ♦	HP-1011 ¹
Blazer	3.0L V6 F/I - China	E-2017	
Blazer	4.3L V6 F/I	33-2042 ♦	
Blazer	4.3L V6 F/I - 2WD	33-2042	HP-1001 ¹
Blazer	4.3L V6 F/I - 4WD	33-2042	HP-2001 ¹
Camaro	3.8L V6 F/I	33-2118	
Camaro	5.7L V8 F/I	33-2118	HP-1007 ¹
Cavalier	2.2L L4 F/I	33-2143	PS-7000
		33-2143 ♦	PS-7000
Chevy Pickup	1.6L L4 F/I		HP-1001 ¹
Corvette	5.7L V8 F/I	33-2111 ♦	HP-1007 ¹
Corvette Z06	5.7L V8 F/I	33-2111 ♦	HP-1007 ¹
Evanda	2.0L L4 F/I	33-2253	
Express 1500	4.3L V6 F/I	E-1008	HP-1001 ¹
Express 1500	5.3L V8 F/I	E-1008	HP-1007 ¹
Express 2500	4.8L V8 F/I	E-1008	HP-1007 ¹
Express 2500	5.3L V8 F/I	E-1008	
Express 2500	6.0L V8 F/I	E-1008	HP-1007 ¹
Express 3500	6.0L V8 F/I	E-1008	HP-1007 ¹
Impala	3.4L V6 F/I	33-2141-1+	HP-1001 ¹
Impala	3.8L V6 F/I	33-2141-1 ♦+	HP-1001 ¹
Malibu	3.1L V6 F/I	33-2121-1	HP-1001 ¹
Monte Carlo	3.4L V6 F/I	33-2141-1+	HP-1001 ¹
Monte Carlo	3.8L V6 F/I	33-2141-1 ♦+	HP-1001 ¹
S10 Pickup	2.2L L4 F/I	33-2042 ♦	HP-1001 ¹
S10 Pickup	4.3L V6 F/I	33-2042 ♦	
S10 Pickup	4.3L V6 F/I - 2WD	33-2042	HP-1001 ¹
S10 Pickup	4.3L V6 F/I - 4WD	33-2042	HP-2001 ¹
Silverado 1500	4.3L V6 F/I	33-2129 ♦	HP-1001 ¹
Silverado 1500	4.8L V8 F/I	33-2129 ♦	HP-1007 ¹
Silverado 1500	5.3L V8 F/I	33-2129 ♦	HP-1007 ¹
Silverado 1500 HD	6.0L V8 F/I	33-2135 ♦	HP-1007 ¹
Silverado 2500	5.3L V8 F/I		HP-1007 ¹
Silverado 2500	6.0L V8 F/I	33-2135 ♦	HP-1007 ¹
Silverado 2500 HD	6.0L V8 F/I	33-2135 ♦	HP-1007 ¹
Silverado 2500 HD	6.6L V8 DSL	33-2135 ♦	HP-3003 ¹
Silverado 2500 HD	8.1L V8 F/I	33-2135 ♦	HP-1011 ¹
Silverado 3500	6.0L V8 F/I	33-2135 ♦	HP-1007 ¹
Silverado 3500	6.6L V8 DSL	33-2135 ♦	HP-3003 ¹

* 2 filters required ♦ Intake System Available - see page 81 +Cabin Air Filter Available - see page 453 1- Pro Series Filter Available

CHEVROLET

AIR & OIL FILTERS

Vehicle	Engine Type	Air Filter	Oil Filter
2003 CHEVROLET			
Silverado 3500	8.1L V8 F/I	33-2135 ♦	HP-1011 ¹
Silverado SS	6.0L V8 F/I	33-2135 ♦	HP-1007 ¹
SSR	5.3L V8 F/I		HP-1007 ¹
Suburban 1500	5.3L V8 F/I	33-2129 ♦	HP-1007 ¹
Suburban 2500	6.0L V8 F/I	33-2135 ♦	HP-1007 ¹
Suburban 2500	8.1L V8 F/I	33-2135 ♦	HP-1011 ¹
Tahoe	4.8L V8 F/I	33-2129 ♦	HP-1007 ¹
Tahoe	5.3L V8 F/I	33-2129 ♦	HP-1007 ¹
Tracker	2.0L L4 F/I	33-2155	HP-1003 ¹
Tracker	2.5L V6 F/I	33-2155	HP-1002 ¹
TrailBlazer	4.2L L6 F/I	E-1009 ♦	HP-2006 ¹
TrailBlazer	5.3L V8 F/I	E-1009 ♦	HP-1007 ¹
Venture	3.4L V6 F/I	33-2156 ⁺	HP-1001 ¹

Vehicle	Engine Type	Air Filter	Oil Filter
2002 CHEVROLET			
Astro	4.3L V6 F/I	33-2225	HP-1001 ¹
Avalanche 1500	5.3L V8 F/I	33-2129 ♦♦	HP-2006 ¹
Avalanche 2500	8.1L V8 F/I	33-2135 ♦♦	HP-1011 ¹
Blazer	4.3L V6 F/I	33-2042 ♦	
Blazer	4.3L V6 F/I - 2WD	33-2042	HP-1001 ¹
Blazer	4.3L V6 F/I - 4WD	33-2042	HP-2001 ¹
C3500	6.5L V8 DSL		HP-3002 ¹
C3500HD	8.1L V8 F/I	33-2135	HP-1011 ¹
Camaro	3.8L V6 F/I	33-2118 ♦	HP-1001 ¹
Camaro	5.7L V8 F/I	33-2118 ♦	HP-1007 ¹
Cavalier	2.2L L4 F/I	33-2143	PS-7000
		33-2143 ♦	PS-7000
Cavalier	2.4L L4 F/I	33-2143	HP-1007 ¹
Chevy Pickup	1.6L L4 F/I		HP-1001 ¹
Corvette	5.7L V8 F/I	33-2111 ♦	HP-1007 ¹
Corvette Z06	5.7L V8 F/I	33-2111 ♦	HP-1007 ¹
Evanda	2.0L L4 F/I	33-2253	
Express 1500	4.3L V6 F/I	E-1008	
Express 1500	5.0L V8 F/I	E-1008	
Express 1500	5.7L V8 F/I	E-1008	HP-3002 ¹
Express 2500	5.0L V8 F/I	E-1008	
Express 2500	5.7L V8 F/I	E-1008	HP-3002 ¹
Express 3500	5.7L V8 F/I	E-1008	HP-3002 ¹
Express 3500	6.5L V8 DSL		HP-3002 ¹
Express 3500	8.1L V8 F/I	E-1008	
Impala	3.4L V6 F/I	33-2141-1 ⁺	HP-1001 ¹
Impala	3.8L V6 F/I	33-2141-1 ♦♦	HP-1001 ¹
Malibu	3.1L V6 F/I	33-2121-1	HP-1001 ¹
Monte Carlo	3.4L V6 F/I	33-2141-1 ⁺	HP-1001 ¹
Monte Carlo	3.8L V6 F/I	33-2141-1 ♦♦	HP-1001 ¹
Prizm	1.8L L4 F/I		HP-1003 ¹
S10 Pickup	2.2L L4 F/I	33-2042 ♦	HP-1001 ¹
S10 Pickup	4.3L V6 F/I	33-2042 ♦	
S10 Pickup	4.3L V6 F/I - 2WD	33-2042	HP-1001 ¹
S10 Pickup	4.3L V6 F/I - 4WD	33-2042	HP-2001 ¹
Silverado 1500	4.3L V6 F/I	33-2129 ♦♦	HP-1001 ¹
Silverado 1500	4.8L V8 F/I	33-2129 ♦♦	HP-2006 ¹
Silverado 1500	5.3L V8 F/I	33-2129 ♦♦	HP-2006 ¹
Silverado 1500 HD	6.0L V8 F/I	33-2135 ♦♦	HP-2006 ¹
Silverado 2500	5.3L V8 F/I	33-2129 ♦♦	HP-2006 ¹
Silverado 2500	6.0L V8 F/I	33-2135 ♦♦	HP-2006 ¹
Silverado 2500 HD	6.0L V8 F/I	33-2135 ♦♦	HP-2006 ¹
Silverado 2500 HD	6.6L V8 DSL	33-2135 ♦♦	HP-3003 ¹
Silverado 2500 HD	8.1L V8 F/I	33-2135 ♦♦	HP-1011 ¹
Silverado 3500	6.0L V8 F/I	33-2135 ♦♦	HP-2006 ¹
Silverado 3500	6.6L V8 DSL	33-2135 ♦♦	HP-3003 ¹
Silverado 3500	8.1L V8 F/I	33-2135 ♦♦	HP-1011 ¹
Suburban 1500	5.3L V8 F/I	33-2129 ♦♦	HP-2006 ¹
Suburban 2500	6.0L V8 F/I	33-2135 ♦♦	HP-2006 ¹
Suburban 2500	8.1L V8 F/I	33-2135 ♦♦	HP-1011 ¹
Tahoe	4.8L V8 F/I	33-2129 ♦♦	HP-2006 ¹
Tahoe	5.3L V8 F/I	33-2129 ♦♦	HP-2006 ¹
Tracker	2.0L L4 F/I	33-2155	HP-1003 ¹
Tracker	2.5L V6 F/I	33-2155	HP-1002 ¹
Venture	3.4L V6 F/I	33-2156 ⁺	HP-1001 ¹

Vehicle	Engine Type	Air Filter	Oil Filter
2002 CHEVROLET			
Suburban 2500	8.1L V8 F/I	33-2135 ♦♦	HP-1011 ¹
Tahoe	4.8L V8 F/I	33-2129 ♦♦	HP-2006 ¹
Tahoe	5.3L V8 F/I	33-2129 ♦♦	HP-2006 ¹
Tracker	2.0L L4 F/I	33-2155	HP-1003 ¹
Tracker	2.5L V6 F/I	33-2155	HP-1002 ¹
TrailBlazer	4.2L L6 F/I	E-1009 ♦	HP-2006 ¹
Venture	3.4L V6 F/I	33-2156 ⁺	HP-1001 ¹

Vehicle	Engine Type	Air Filter	Oil Filter
2001 CHEVROLET			
Astro	4.3L V6 F/I	33-2225	HP-1001 ¹
Avalanche 2500	8.1L V8 F/I	33-2135	
Blazer	4.3L V6 F/I	33-2042 ♦	
Blazer	4.3L V6 F/I - 2WD	33-2042	HP-1001 ¹
Blazer	4.3L V6 F/I - 4WD	33-2042	HP-2001 ¹
C3500	8.1L V8 F/I	33-2135	HP-1011 ¹
C3500HD	6.5L V8 DSL		HP-3002 ¹
C3500HD	8.1L V8 F/I	33-2135	HP-1011 ¹
Camaro	3.8L V6 F/I	33-2118 ♦	HP-1001 ¹
Camaro	5.7L V8 F/I	33-2118 ♦	HP-1007 ¹
Cavalier	2.2L L4 F/I	33-2143	HP-1001 ¹
Cavalier	2.4L L4 F/I	33-2143	HP-1007 ¹
Chevy Pickup	1.6L L4 F/I		HP-1001 ¹
Corvette	5.7L V8 F/I	33-2111 ♦	HP-1007 ¹
Corvette Z06	5.7L V8 F/I	33-2111 ♦	HP-1007 ¹
Express 1500	4.3L V6 F/I	E-1008	HP-1001 ¹
Express 1500	5.0L V8 F/I	E-1008	
Express 1500	5.7L V8 F/I	E-1008	HP-3002 ¹
Express 2500	5.0L V8 F/I	E-1008	
Express 2500	5.7L V8 F/I	E-1008	HP-3002 ¹
Express 3500	5.7L V8 F/I	E-1008	HP-3002 ¹
Express 3500	8.1L V8 F/I	E-1008	
Impala	3.4L V6 F/I	33-2141-1 ⁺	HP-1001 ¹
Impala	3.8L V6 F/I	33-2141-1 ♦♦	HP-1001 ¹
Lumina	3.1L V6 F/I	33-2063-1	HP-1001 ¹
Malibu	2.4L L4 F/I		HP-1007 ¹
Malibu	3.1L V6 F/I	33-2121-1	HP-1001 ¹
Metro	1.3L L4 F/I	E-9132	HP-1002 ¹
Monte Carlo	3.4L V6 F/I	33-2141-1 ⁺	HP-1001 ¹
Monte Carlo	3.8L V6 F/I	33-2141-1 ♦♦	HP-1001 ¹
Prizm	1.8L L4 F/I		HP-1003 ¹
S10 Pickup	2.2L L4 F/I	33-2042 ♦	HP-1001 ¹
S10 Pickup	4.3L V6 F/I	33-2042 ♦	
S10 Pickup	4.3L V6 F/I - 2WD	33-2042	HP-1001 ¹
S10 Pickup	4.3L V6 F/I - 4WD	33-2042	HP-2001 ¹
Silverado 1500	4.3L V6 F/I	33-2129 ♦♦	HP-1001 ¹
Silverado 1500	4.8L V8 F/I	33-2129 ♦♦	HP-2006 ¹
Silverado 1500	5.3L V8 F/I	33-2129 ♦♦	HP-2006 ¹
Silverado 1500 HD	6.0L V8 F/I	33-2135 ♦♦	HP-2006 ¹
Silverado 2500	5.7L V8 F/I - 2WD		HP-3002 ¹
Silverado 2500	6.0L V8 F/I	33-2135 ♦♦	HP-2006 ¹
Silverado 2500 HD	6.0L V8 F/I	33-2135 ♦♦	HP-2006 ¹
Silverado 2500 HD	6.6L V8 DSL	33-2135 ♦♦	HP-3003 ¹
Silverado 2500 HD	8.1L V8 F/I	33-2135 ♦♦	HP-1011 ¹
Silverado 3500	6.0L V8 F/I	33-2135 ♦♦	HP-2006 ¹
Silverado 3500	6.6L V8 DSL	33-2135 ♦♦	HP-3003 ¹
Silverado 3500	8.1L V8 F/I	33-2135 ♦♦	HP-1011 ¹
Suburban 1500	5.3L V8 F/I	33-2129 ♦♦	HP-2006 ¹
Suburban 2500	6.0L V8 F/I	33-2135 ♦♦	HP-2006 ¹
Suburban 2500	8.1L V8 F/I	33-2135 ♦♦	HP-1011 ¹
Tahoe	4.8L V8 F/I	33-2129 ♦♦	HP-2006 ¹
Tahoe	5.3L V8 F/I	33-2129 ♦♦	HP-2006 ¹
Tracker	2.0L L4 F/I	33-2155	HP-1003 ¹
Tracker	2.5L V6 F/I	33-2155	HP-1002 ¹
Venture	3.4L V6 F/I	33-2156 ⁺	HP-1001 ¹

* 2 filters required ♦ Intake System Available - see page 81 +Cabin Air Filter Available - see page 453 1- Pro Series Filter Available

AIR & OIL FILTERS

CHEVROLET

Vehicle	Engine Type	Air Filter	Oil Filter	Vehicle	Engine Type	Air Filter	Oil Filter
2000 CHEVROLET				1999 CHEVROLET			
Astro	4.3L V6 F/I	33-2225	HP-1001 ¹	Astro	4.3L V6 F/I	33-2225	HP-2001 ¹
Avalanche 2500	8.1L V8 F/I	33-2135		Blazer	4.3L V6 F/I	33-2042 ♦	HP-2001 ¹
Blazer	2.4L L4 F/I	E-2016		C1500	4.3L V8 F/I		HP-2001 ¹
Blazer	4.3L V6 F/I	33-2042 ♦		C1500	5.0L V8 F/I	E-1796 ♦	HP-3002 ¹
Blazer	4.3L V6 F/I - 2WD	33-2042	HP-1001 ¹	C1500	5.7L V8 F/I	E-1796 ♦	HP-3002 ¹
Blazer	4.3L V6 F/I - 4WD	33-2042	HP-2001 ¹	C1500 Suburban	5.7L V8 F/I	E-1796 ♦	HP-3002 ¹
C1500	5.7L V8 F/I		HP-3002 ¹	C1500 Suburban	6.5L V8 DSL	E-1796	HP-3002 ¹
C2500	5.7L V8 F/I	E-1796 ♦	HP-3002 ¹	C2500	5.7L V8 F/I	E-1796 ♦	HP-3002 ¹
C2500	6.5L V8 DSL	E-1796	HP-3002 ¹	C2500	6.5L V8 DSL	E-1796	HP-3002 ¹
C2500	7.4L V8 F/I	E-1796 ♦	HP-3002 ¹	C2500	7.4L V8 F/I	E-1796 ♦	HP-3002 ¹
C3500	5.7L V8 F/I	E-1796 ♦	HP-3002 ¹	C2500 Suburban	5.7L V8 F/I	E-1796 ♦	HP-3002 ¹
C3500	6.5L V8 DSL	E-1796	HP-3002 ¹	C2500 Suburban	6.5L V8 DSL	E-1796	HP-3002 ¹
C3500	7.4L V8 F/I	E-1796 ♦	HP-3002 ¹	C2500 Suburban	7.4L V8 F/I	E-1796 ♦	HP-3002 ¹
C3500HD	6.5L V8 DSL	E-1796	HP-3002 ¹	C3500	5.7L V8 F/I	E-1796 ♦	HP-3002 ¹
C3500HD	7.4L V8 F/I	E-1796	HP-3002 ¹	C3500	6.5L V8 DSL	E-1796	
Camaro	3.8L V6 F/I	33-2118 ♦	HP-1001 ¹	C3500	7.4L V8 F/I	E-1796 ♦	HP-3002 ¹
Camaro	5.7L V8 F/I	33-2118 ♦	HP-1007 ¹	C3500HD	6.5L V8 DSL	E-1796	HP-3002 ¹
Cavalier	2.2L L4 F/I	33-2143	HP-1001 ¹	C3500HD	7.4L V8 F/I	E-1796	HP-3002 ¹
Cavalier	2.4L L4 F/I	33-2143	HP-1007 ¹	Camaro	3.8L V6 F/I	33-2118 ♦	HP-1001 ¹
Chevy Pickup	1.6L L4 F/I		HP-1001 ¹	Camaro	5.7L V8 F/I	33-2118 ♦	HP-1007 ¹
Cheyenne	5.7L V8 F/I		HP-3002 ¹	Cavalier	2.2L L4 F/I	33-2143	HP-1001 ¹
Corvette	5.7L V8 F/I	33-2111 ♦	HP-1007 ¹	Cavalier	2.4L L4 F/I	33-2143	HP-1007 ¹
Express 1500	5.7L V8 F/I	33-2111	HP-3002 ¹	Chevy Pickup	1.6L L4 F/I		HP-1001 ¹
Express 2500	5.7L V8 F/I	33-2111	HP-3002 ¹	Corvette	5.7L V8 F/I	33-2111 ♦	HP-1007 ¹
Express 3500	5.7L V8 F/I	33-2111	HP-3002 ¹	Express 1500	5.7L V8 F/I	33-2111	HP-3002 ¹
Express 3500	7.4L V8 F/I	33-2111		Express 3500	5.7L V8 F/I	33-2111	HP-3002 ¹
Express 3500	7.4L V8 F/I - Short Filter	33-2111	HP-1011 ¹	K1500	5.0L V8 F/I	E-1796 ♦	HP-2001 ¹
Express 3500	7.4L V8 F/I - Tall Filter	33-2111	HP-3002 ¹	K1500	5.7L V8 F/I	E-1796 ♦	HP-2001 ¹
Impala	3.4L V6 F/I	33-2141-1+	HP-1001 ¹	K1500 Suburban	5.7L V8 F/I	E-1796 ♦	HP-2001 ¹
Impala	3.8L V6 F/I	33-2141-1 ♦+	HP-1001 ¹	K1500 Suburban	6.5L V8 DSL	E-1796	HP-3002 ¹
K2500	5.7L V8 F/I	E-1796 ♦	HP-2001 ¹	K2500	5.7L V8 F/I	E-1796 ♦	HP-2001 ¹
K2500	6.5L V8 DSL	E-1796	HP-3002 ¹	K2500	6.5L V8 DSL	E-1796	HP-3002 ¹
K2500	7.4L V8 F/I	E-1796 ♦	HP-1011 ¹	K2500	7.4L V8 F/I	E-1796 ♦	HP-1011 ¹
K3500	5.7L V8 F/I	E-1796 ♦	HP-2001 ¹	K2500 Suburban	5.7L V8 F/I	E-1796 ♦	HP-2001 ¹
K3500	6.5L V8 DSL	E-1796		K2500 Suburban	6.5L V8 DSL	E-1796	HP-3002 ¹
K3500	7.4L V8 F/I	E-1796 ♦	HP-1011 ¹	K2500 Suburban	7.4L V8 F/I	E-1796 ♦	HP-1011 ¹
Lumina	3.1L V6 F/I	33-2063-1	HP-1001 ¹	K3500	5.7L V8 F/I	E-1796 ♦	HP-2001 ¹
Malibu	2.4L L4 F/I		HP-1007 ¹	K3500	6.5L V8 DSL	E-1796	HP-3002 ¹
Malibu	3.1L V6 F/I	33-2121-1	HP-1001 ¹	K3500	7.4L V8 F/I	E-1796 ♦	HP-1011 ¹
Metro	1.0L L3 F/I	E-9209		Lumina	3.1L V6 F/I	33-2063-1	HP-1001 ¹
Metro	1.3L L4 F/I	E-9132	HP-1002 ¹	Lumina	3.8L V6 F/I	33-2063-1	HP-1001 ¹
Monte Carlo	3.4L V6 F/I	33-2141-1+	HP-1001 ¹	Malibu	2.4L L4 F/I	33-2121-1	HP-1007 ¹
Monte Carlo	3.8L V6 F/I	33-2141-1 ♦+	HP-1001 ¹	Malibu	3.1L V6 F/I	33-2121-1	HP-1001 ¹
Prizm	1.8L L4 F/I		HP-1003 ¹	Metro	1.0L L3 F/I	E-9209	
S10 Pickup	2.2L L4 F/I	33-2042 ♦	HP-1001 ¹	Metro	1.3L L4 F/I	E-9132	HP-1002 ¹
S10 Pickup	4.3L V6 F/I	33-2042 ♦		Monte Carlo	3.1L V6 F/I	33-2063-1+	HP-1001 ¹
S10 Pickup	4.3L V6 F/I - 2WD	33-2042	HP-1001 ¹	Monte Carlo	3.8L V6 F/I	33-2063-1+	HP-1001 ¹
S10 Pickup	4.3L V6 F/I - 4WD	33-2042	HP-2001 ¹	Prizm	1.8L L4 F/I	33-2672	HP-1003 ¹
Silverado 1500	4.3L V6 F/I	33-2129 ♦+	HP-2001 ¹	S10 Pickup	2.2L L4 F/I	33-2042 ♦	HP-1001 ¹
Silverado 1500	4.8L V8 F/I	33-2129 ♦+	HP-2006 ¹	S10 Pickup	4.3L V6 F/I	33-2042 ♦	HP-2001 ¹
Silverado 1500	5.3L V8 F/I	33-2129 ♦+	HP-2006 ¹	Silverado	5.7L V8 F/I - 2WD		HP-3002 ¹
Silverado 2500	5.3L V8 F/I	33-2129 ♦+	HP-2006 ¹	Silverado	5.7L V8 F/I - 4WD		HP-2001 ¹
Silverado 2500	6.0L V8 F/I	33-2135 ♦+	HP-2006 ¹	Silverado 1500	4.3L V6 F/I	33-2129 ♦+	HP-2001 ¹
Suburban 1500	5.3L V8 F/I	33-2129 ♦+	HP-2006 ¹	Silverado 1500	4.8L V8 F/I	33-2129 ♦+	HP-2006 ¹
Suburban 2500	5.3L V8 F/I	33-2129 ♦		Silverado 1500	5.3L V8 F/I	33-2129 ♦+	HP-2006 ¹
Suburban 2500	6.0L V8 F/I	33-2135 ♦+	HP-2006 ¹	Silverado 2500	5.3L V8 F/I	33-2129 ♦+	HP-2006 ¹
Tahoe	4.8L V8 F/I	33-2129 ♦+	HP-2006 ¹	Silverado 2500	6.0L V8 F/I	33-2135 ♦+	HP-2006 ¹
Tahoe	5.3L V8 F/I	33-2129 ♦+	HP-2006 ¹	Tahoe	5.7L V8 F/I	E-1796 ♦	
Tahoe	5.7L V8 F/I	E-1796 ♦		Tahoe	5.7L V8 F/I - 2WD	E-1796	HP-3002 ¹
Tahoe	5.7L V8 F/I - 2WD	E-1796	HP-3002 ¹	Tahoe	5.7L V8 F/I - 4WD	E-1796	HP-2001 ¹
Tahoe	5.7L V8 F/I - 4WD	E-1796	HP-2001 ¹	Tahoe	6.5L V8 DSL	E-1796	HP-3002 ¹
Tracker	1.6L L4 F/I	33-2155	HP-1002 ¹	Tracker	1.6L L4 F/I	33-2155	
Tracker	2.0L L4 F/I	33-2155	HP-1003 ¹	Tracker	2.0L L4 F/I	33-2155	HP-1003 ¹
Venture	3.4L V6 F/I	33-2156	HP-1001 ¹	Venture	3.4L V6 F/I	33-2156	HP-1001 ¹

* 2 filters required ♦ Intake System Available - see page 81 +Cabin Air Filter Available - see page 453 1- Pro Series Filter Available

CHEVROLET

AIR & OIL FILTERS

Vehicle	Engine Type	Air Filter	Oil Filter	Vehicle	Engine Type	Air Filter	Oil Filter
1998 CHEVROLET				1997 CHEVROLET			
Astro	4.3L V6 F/I	33-2225	HP-2001 ¹	C1500	5.7L V8 F/I	E-1796 ♦	HP-3002 ¹
Blazer	4.3L V6 F/I	33-2042 ♦	HP-2001 ¹	C1500	6.5L V8 DSL	E-1796	HP-3002 ¹
C1500	4.3L V6 F/I	E-1796 ♦	HP-2001 ¹	C1500 Suburban	5.7L V8 F/I	E-1796 ♦	HP-3002 ¹
C1500	5.0L V8 F/I	E-1796 ♦	HP-3002 ¹	C1500 Suburban	6.5L V8 DSL	E-1796	HP-3002 ¹
C1500	5.7L V8 F/I	E-1796 ♦	HP-3002 ¹	C2500	5.7L V8 F/I	E-1796 ♦	HP-3002 ¹
C1500	6.5L V8 DSL	E-1796	HP-3002 ¹	C2500	6.5L V8 DSL	E-1796	HP-3002 ¹
C1500 Suburban	5.7L V8 F/I	E-1796 ♦	HP-3002 ¹	C2500	7.4L V8 F/I	E-1796 ♦	HP-3002 ¹
C1500 Suburban	6.5L V8 DSL	E-1796	HP-3002 ¹	C2500 Suburban	5.7L V8 F/I	E-1796 ♦	HP-3002 ¹
C2500	5.0L V8 F/I	E-1796 ♦		C2500 Suburban	6.5L V8 DSL	E-1796	HP-3002 ¹
C2500	5.7L V8 F/I	E-1796 ♦	HP-3002 ¹	C2500 Suburban	7.4L V8 F/I	E-1796 ♦	HP-3002 ¹
C2500	6.5L V8 DSL	E-1796	HP-3002 ¹	C3500	5.7L V8 F/I	E-1796 ♦	HP-3002 ¹
C2500	7.4L V8 F/I	E-1796 ♦	HP-3002 ¹	C3500	6.5L V8 DSL	E-1796	HP-3002 ¹
C2500 Suburban	5.7L V8 F/I	E-1796 ♦	HP-3002 ¹	C3500	7.4L V8 F/I	E-1796 ♦	HP-3002 ¹
C2500 Suburban	6.5L V8 DSL	E-1796	HP-3002 ¹	C3500HD	6.5L V8 DSL	E-1796	HP-3002 ¹
C2500 Suburban	7.4L V8 F/I	E-1796 ♦	HP-3002 ¹	C3500HD	7.4L V8 F/I	E-1796	HP-3002 ¹
C3500	5.7L V8 F/I	E-1796 ♦	HP-3002 ¹	Camaro	3.8L V6 F/I	33-2042	HP-1001 ¹
C3500	6.5L V8 DSL	E-1796	HP-3002 ¹	Camaro	5.7L V8 F/I		HP-2002 ¹
C3500	7.4L V8 F/I	E-1796 ♦	HP-3002 ¹	Camaro	5.7L V8 F/I - w/o Ram Air	33-2042 ♦	HP-2002
C3500HD	6.5L V8 DSL	E-1796	HP-3002 ¹	Camaro	5.7L V8 F/I - w/Ram Air	33-2084 ♦	HP-2002
C3500HD	7.4L V8 F/I	E-1796	HP-3002 ¹	Cavalier	2.2L L4 F/I	33-2143	HP-1001 ¹
Camaro	3.8L V6 F/I	33-2118	HP-1001 ¹	Cavalier	2.4L L4 F/I	33-2143	HP-1007 ¹
Camaro	5.7L V8 F/I	33-2118 ♦	HP-1007 ¹	Chevyenne	5.7L V8 F/I		HP-3002 ¹
Cavalier	2.2L L4 F/I	33-2143	HP-1001 ¹	Corvette	5.7L V8 F/I	33-2111 ♦	HP-1007 ¹
Cavalier	2.4L L4 F/I	33-2143	HP-1007 ¹	Express 1500	5.0L V8 F/I		HP-3002 ¹
Chevyenne	5.7L V8 F/I	HP-3002 ¹		Express 1500	5.7L V8 F/I	33-2111	HP-3002 ¹
Corvette	5.7L V8 F/I	33-2111 ♦	HP-1007 ¹	K1500	4.3L V6 F/I	E-1796 ♦	HP-2001 ¹
Express 1500	5.7L V8 F/I	33-2111	HP-3002 ¹	K1500	5.0L V8 F/I	E-1796 ♦	HP-2001 ¹
K1500	4.3L V6 F/I	E-1796	HP-2001 ¹	K1500	5.7L V8 F/I	E-1796 ♦	HP-2001 ¹
K1500	5.0L V8 F/I	E-1796 ♦	HP-2001 ¹	K1500	6.5L V8 DSL	E-1796	HP-3002 ¹
K1500	5.7L V8 F/I	E-1796 ♦	HP-2001 ¹	K1500 Suburban	5.7L V8 F/I	E-1796 ♦	HP-2001 ¹
K1500	6.5L V8 DSL	E-1796	HP-3002 ¹	K1500 Suburban	6.5L V8 DSL	E-1796	HP-3002 ¹
K1500 Suburban	5.7L V8 F/I	E-1796 ♦	HP-2001 ¹	K2500	5.7L V8 F/I	E-1796 ♦	HP-2001 ¹
K1500 Suburban	6.5L V8 DSL	E-1796	HP-3002 ¹	K2500	6.5L V8 DSL	E-1796	HP-3002 ¹
K2500	5.7L V8 F/I	E-1796 ♦	HP-2001 ¹	K2500	7.4L V8 F/I	E-1796 ♦	HP-3002 ¹
K2500	6.5L V8 DSL	E-1796	HP-3002 ¹	K2500 Suburban	5.7L V8 F/I	E-1796 ♦	HP-2001 ¹
K2500	7.4L V8 F/I	E-1796 ♦	HP-3002 ¹	K2500 Suburban	6.5L V8 DSL	E-1796	HP-3002 ¹
K2500 Suburban	5.7L V8 F/I	E-1796 ♦	HP-2001 ¹	K2500 Suburban	7.4L V8 F/I	E-1796 ♦	HP-3002 ¹
K2500 Suburban	6.5L V8 DSL	E-1796	HP-3002 ¹	K3500	5.7L V8 F/I	E-1796 ♦	HP-2001 ¹
K2500 Suburban	7.4L V8 F/I	E-1796 ♦	HP-3002 ¹	K3500	6.5L V8 DSL	E-1796	HP-3002 ¹
K3500	5.7L V8 F/I	E-1796 ♦	HP-2001 ¹	K3500	7.4L V8 F/I	E-1796 ♦	HP-3002 ¹
K3500	6.5L V8 DSL	E-1796	HP-3002 ¹	Lumina	3.1L V6 F/I	33-2063-1	HP-1001 ¹
K3500	7.4L V8 F/I	E-1796 ♦	HP-3002 ¹	Malibu	3.1L V6 F/I	33-2121-1	HP-1001 ¹
Lumina	3.1L V6 F/I	33-2063-1	HP-1001 ¹	Monte Carlo	3.1L V6 F/I	33-2063-1+	HP-1001 ¹
Lumina	3.8L V6 F/I	33-2063-1	HP-1001 ¹	Monte Carlo	3.4L V6 F/I	33-2063-1+	HP-2001 ¹
Malibu	2.4L L4 F/I	33-2121-1	HP-1007 ¹	P30	7.4L V8 F/I	E-1420	HP-3002 ¹
Malibu	3.1L V6 F/I	33-2121-1	HP-1001 ¹	S10 Pickup	2.2L L4 F/I	33-2042 ♦	HP-1001 ¹
Metro	1.3L L4 F/I	E-9132		S10 Pickup	4.3L V6 F/I	33-2042 ♦	HP-2001 ¹
Monte Carlo	3.1L V6 F/I	33-2063-1+	HP-1001 ¹	Silverado	5.7L V8 F/I		HP-3002 ¹
Monte Carlo	3.8L V6 F/I	33-2063-1+	HP-1001 ¹	Tahoe	5.7L V8 F/I	E-1796 ♦	
P30	7.4L V8 F/I	33-2111	HP-3002 ¹	Tahoe	5.7L V8 F/I - 2WD	E-1796	HP-3002 ¹
Prizm	1.8L L4 F/I	33-2672	HP-1003 ¹	Tahoe	5.7L V8 F/I - 4WD	E-1796	HP-2001 ¹
S10 Pickup	2.2L L4 F/I	33-2042 ♦	HP-1001 ¹	Tahoe	6.5L V8 DSL	E-1796	HP-3002 ¹
S10 Pickup	4.3L V6 F/I	33-2042 ♦	HP-2001 ¹				
Tahoe	5.7L V8 F/I	E-1796 ♦		1996 CHEVROLET			
Tahoe	5.7L V8 F/I - 2WD	E-1796	HP-3002 ¹	Astro	4.3L V6 F/I	33-2225	HP-2001 ¹
Tahoe	5.7L V8 F/I - 4WD	E-1796	HP-2001 ¹	Beretta	3.1L V6 F/I	33-2068	HP-1001 ¹
Tahoe	6.5L V8 DSL	E-1796	HP-3002 ¹	Blazer	4.3L V6 F/I	33-2042 ♦	HP-2001 ¹
Tracker	1.6L L4 F/I	33-2065	HP-1002 ¹	C1500	4.3L V6 F/I	E-1796 ♦	HP-2001 ¹
Venture	3.4L V6 F/I	33-2156	HP-1001 ¹	C1500	5.0L V8 F/I	E-1796 ♦	HP-3002 ¹
				C1500	5.7L V8 F/I	E-1796 ♦	HP-3002 ¹
				C1500	6.5L V8 DSL	33-2062-1	HP-3002 ¹
				C1500 Suburban	5.7L V8 F/I	E-1796 ♦	HP-3002 ¹
				C1500 Suburban	6.5L V8 DSL	33-2062-1	HP-3002 ¹
				C2500	5.7L V8 F/I	E-1796 ♦	HP-3002 ¹

* 2 filters required ♦ Intake System Available - see page 81 +Cabin Air Filter Available - see page 453 1- Pro Series Filter Available

AIR & OIL FILTERS

CHEVROLET

Vehicle	Engine Type	Air Filter	Oil Filter
1996 CHEVROLET			
C2500	6.5L V8 DSL	33-2062-1	HP-3002 ¹
C2500	7.4L V8 F/I	E-1796 ♦	HP-3002 ¹
C2500 Suburban	5.7L V8 F/I	E-1796 ♦	HP-3002 ¹
C2500 Suburban	6.5L V8 DSL	33-2062-1	HP-3002 ¹
C2500 Suburban	7.4L V8 F/I	E-1796 ♦	HP-3002 ¹
C3500	5.7L V8 F/I	E-1796 ♦	HP-3002 ¹
C3500	6.5L V8 DSL	33-2062-1	HP-3002 ¹
C3500	7.4L V8 F/I	E-1796 ♦	HP-3002 ¹
C3500HD	6.5L V8 DSL	33-2062-1	HP-3002 ¹
C3500HD	7.4L V8 F/I	E-1796	HP-3002 ¹
Camaro	3.8L V6 F/I	33-2042	HP-1001 ¹
Camaro	5.7L V8 F/I		HP-2002 ¹
Camaro	5.7L V8 F/I - Exc. SS	33-2042 ♦	HP-2002
Caprice	4.3L V8 F/I	33-2057	HP-2001 ¹
Caprice	5.7L V8 F/I	33-2057 ♦	HP-2001 ¹
Cavalier	2.2L L4 F/I	33-2143	HP-1001 ¹
Cavalier	2.4L L4 F/I	33-2143	HP-1007 ¹
Cheyenne	5.7L V8 F/I		HP-3002 ¹
Corvette	5.7L V8 F/I	33-2035	HP-2001 ¹
Express 1500	5.0L V8 F/I		HP-3002 ¹
Impala SS	5.7L V8 F/I	33-2057 ♦	HP-2001 ¹
K1500	4.3L V6 F/I	E-1796 ♦	HP-2001 ¹
K1500	5.0L V8 F/I	E-1796 ♦	HP-2001 ¹
K1500	5.7L V8 F/I	E-1796 ♦	HP-2001 ¹
K1500	6.5L V8 DSL	33-2062-1	HP-3002 ¹
K1500 Suburban	5.7L V8 F/I	E-1796 ♦	HP-2001 ¹
K1500 Suburban	6.5L V8 DSL	33-2062-1	HP-3002 ¹
K2500	5.7L V8 F/I	E-1796 ♦	HP-2001 ¹
K2500	6.5L V8 DSL	33-2062-1	HP-3002 ¹
K2500	7.4L V8 F/I	E-1796 ♦	HP-3002 ¹
K2500 Suburban	5.7L V8 F/I	E-1796 ♦	HP-2001 ¹
K2500 Suburban	6.5L V8 DSL	33-2062-1	HP-3002 ¹
K2500 Suburban	7.4L V8 F/I	E-1796 ♦	HP-3002 ¹
K3500	5.7L V8 F/I	E-1796 ♦	HP-2001 ¹
K3500	6.5L V8 DSL	33-2062-1	HP-3002 ¹
K3500	7.4L V8 F/I	E-1796 ♦	HP-3002 ¹
Lumina	3.1L V6 F/I	33-2063-1	HP-1001 ¹
Lumina APV	3.4L V6 F/I	33-2022	HP-1001 ¹
Monte Carlo	3.1L V6 F/I	33-2063-1	HP-1001 ¹
P30	7.4L V8 F/I		HP-3002 ¹
S10 Pickup	2.2L L4 F/I	33-2042 ♦	HP-1001 ¹
S10 Pickup	4.3L V6 F/I	33-2042 ♦	HP-2001 ¹
Silverado	5.7L V8 F/I		HP-3002 ¹
Tahoe	5.7L V8 F/I	E-1796 ♦	
Tahoe	5.7L V8 F/I - 2WD	E-1796	HP-3002 ¹
Tahoe	5.7L V8 F/I - 4WD	E-1796	HP-2001 ¹
Tahoe	6.5L V8 DSL		HP-3002 ¹

Vehicle	Engine Type	Air Filter	Oil Filter
1995 CHEVROLET			
Astro	4.3L V6 F/I	33-2042	HP-2001 ¹
Beretta	3.1L V6 F/I	33-2068	HP-1001 ¹
Blazer	4.3L V6 F/I	33-2042 ♦	HP-2001 ¹
C1500	4.3L V6 F/I	E-1150	HP-2001 ¹
C1500	5.0L V8 F/I	E-1500 ♦	HP-3002 ¹
C1500	5.7L V8 F/I	E-1500 ♦	HP-3002 ¹
C1500	6.5L V8 DSL - Exc. Turbo	E-1690	HP-3002 ¹
C1500	6.5L V8 DSL - Turbo	33-2062-1	HP-3002 ¹
C1500 Suburban	5.7L V8 F/I	E-1500 ♦	HP-3002 ¹
C1500 Suburban	6.5L V8 DSL	33-2062-1	HP-3002 ¹
C2500	5.7L V8 F/I	E-1500 ♦	HP-3002 ¹
C2500	6.5L V8 DSL - Exc. Turbo	E-1690	HP-3002 ¹
C2500	6.5L V8 DSL - Turbo	33-2062-1	HP-3002 ¹
C2500	7.4L V8 F/I	E-1500 ♦	HP-3002 ¹

Vehicle	Engine Type	Air Filter	Oil Filter
1995 CHEVROLET			
C2500 Suburban	5.7L V8 F/I	E-1500 ♦	HP-3002 ¹
C2500 Suburban	6.5L V8 DSL	33-2062-1	HP-3002 ¹
C2500 Suburban	7.4L V8 F/I	E-1500 ♦	HP-3002 ¹
C3500	5.7L V8 F/I	E-1500 ♦	HP-3002 ¹
C3500	6.5L V8 DSL	33-2062-1	HP-3002 ¹
C3500	7.4L V8 F/I	E-1500 ♦	HP-3002 ¹
C3500HD	5.7L V8 F/I	E-1500	HP-3002 ¹
C3500HD	6.5L V8 DSL	33-2062-1	HP-3002 ¹
C3500HD	7.4L V8 F/I	E-1500	HP-3002 ¹
Camaro	3.4L V6 F/I	33-2042 ♦	HP-1001 ¹
Camaro	3.8L V6 F/I	33-2042	HP-1001 ¹
Camaro	5.7L V8 F/I	33-2042 ♦	HP-2002 ¹
Caprice	4.3L V8 F/I	33-2057	HP-2001 ¹
Caprice	5.7L V8 F/I	33-2057 ♦	HP-2001 ¹
Cavalier	2.2L L4 F/I	33-2143	HP-1001 ¹
Cheyenne	5.7L V8 F/I		HP-3002 ¹
Corvette	5.7L V8 F/I	33-2035	HP-2001 ¹
Corvette ZR1	5.7L V8 F/I	33-2035	HP-2007
G20	5.7L V8 F/I	E-1150	HP-3002 ¹
G30	5.7L V8 F/I	E-1150	HP-3002 ¹
Impala SS	5.7L V8 F/I	33-2057 ♦	HP-2001 ¹
K1500	4.3L V6 F/I	E-1150	HP-2001 ¹
K1500	5.0L V8 F/I	E-1500 ♦	HP-2001 ¹
K1500	5.7L V8 F/I	E-1500 ♦	HP-2001 ¹
K1500	6.5L V8 DSL - Exc. Turbo	E-1690	HP-3002 ¹
K1500	6.5L V8 DSL - Turbo	33-2062-1	HP-3002 ¹
K1500 Suburban	5.7L V8 F/I	E-1500 ♦	HP-2001 ¹
K1500 Suburban	6.5L V8 DSL	33-2062-1	HP-3002 ¹
K2500	5.7L V8 F/I	E-1500 ♦	HP-2001 ¹
K2500	6.5L V8 DSL - Exc. Turbo	E-1690	HP-3002 ¹
K2500	6.5L V8 DSL - Turbo	33-2062-1	HP-3002 ¹
K2500	7.4L V8 F/I	E-1500 ♦	HP-3002 ¹
K2500 Suburban	5.7L V8 F/I	E-1500 ♦	HP-2001 ¹
K2500 Suburban	6.5L V8 DSL	33-2062-1	HP-3002 ¹
K2500 Suburban	7.4L V8 F/I	E-1500 ♦	HP-3002 ¹
K3500	5.7L V8 F/I	E-1500 ♦	HP-2001 ¹
K3500	6.5L V8 DSL	33-2062-1	HP-3002 ¹
K3500	7.4L V8 F/I	E-1500 ♦	HP-3002 ¹
Lumina	3.1L V6 F/I	33-2063-1	HP-1001 ¹
Lumina APV	3.1L V6 F/I	E-1065	HP-1001 ¹
Monte Carlo	3.4L V6 F/I	33-2063-1	HP-2001 ¹
P30	7.4L V8 F/I	E-1500	HP-3002 ¹
S10 Pickup	2.2L L4 F/I	33-2042 ♦	HP-1001 ¹
S10 Pickup	4.3L V6 CPI	33-2042 ♦	HP-2001 ¹
S10 Pickup	4.3L V6 TBI	E-1065 ♦	HP-2001 ¹
Silverado	5.7L V8 F/I		HP-3002 ¹
Tahoe	5.7L V8 F/I	E-1500 ♦	
Tahoe	5.7L V8 F/I - 2WD	E-1500	HP-3002 ¹
Tahoe	5.7L V8 F/I - 4WD	E-1500	HP-2001 ¹

Vehicle	Engine Type	Air Filter	Oil Filter
1994 CHEVROLET			
Astro	4.3L V6 CPI	33-2042	HP-2001 ¹
Astro	4.3L V6 TBI	E-1065	HP-2001 ¹
Blazer	5.7L V8 F/I	E-1500 ♦	
Blazer	5.7L V8 F/I - 2WD	E-1500	HP-3002 ¹
Blazer	5.7L V8 F/I - 4WD	E-1500	HP-2001 ¹
Blazer	6.5L V8 DSL	33-2062-1	HP-3002 ¹
C1500	4.3L V6 F/I	E-1150	HP-2001 ¹
C1500	5.0L V8 F/I	E-1500 ♦	HP-3002 ¹
C1500	5.7L V8 F/I	E-1500 ♦	HP-3002 ¹
C1500	6.5L V8 DSL		HP-3002 ¹
C1500	6.5L V8 DSL - Exc. Turbo	E-1690	HP-3002
C1500	6.5L V8 DSL - Turbo	33-2062-1	HP-3002

* 2 filters required ♦ Intake System Available - see page 81 +Cabin Air Filter Available - see page 453 1- Pro Series Filter Available

CHEVROLET

AIR & OIL FILTERS

Vehicle	Engine Type	Air Filter	Oil Filter	Vehicle	Engine Type	Air Filter	Oil Filter
1994 CHEVROLET				1993 CHEVROLET			
C1500 Suburban	5.7L V8 F/I	E-1500 ♦	HP-3002 ¹	C2500	5.7L V8 F/I	E-1500 ♦	HP-3002 ¹
C1500 Suburban	6.5L V8 DSL	33-2062-1	HP-3002 ¹	C2500	6.5L V8 DSL	33-2062-1	HP-3002 ¹
C2500	5.7L V8 F/I	E-1500 ♦	HP-3002 ¹	C2500	7.4L V8 F/I		HP-3002 ¹
C2500	6.5L V8 DSL		HP-3002 ¹	C2500 Suburban	5.7L V8 F/I	E-1500 ♦	HP-3002 ¹
C2500	6.5L V8 DSL - Exc. Turbo	E-1690	HP-3002	C2500 Suburban	6.5L V8 DSL	33-2062-1	HP-3002 ¹
C2500	6.5L V8 DSL - Turbo	33-2062-1	HP-3002 ¹	C2500 Suburban	7.4L V8 F/I	E-1500 ♦	HP-3002 ¹
C2500	7.4L V8 F/I	E-1500 ♦	HP-3002 ¹	C3500	6.5L V8 DSL	33-2062-1	HP-3002 ¹
C2500 Suburban	5.7L V8 F/I	E-1500 ♦	HP-3002 ¹	C3500	7.4L V8 F/I	E-1500 ♦	HP-3002 ¹
C2500 Suburban	6.5L V8 DSL	33-2062-1	HP-3002 ¹	C3500HD	5.7L V8 F/I	E-1500	HP-3002 ¹
C2500 Suburban	7.4L V8 F/I	E-1500 ♦	HP-3002 ¹	C3500HD	6.5L V8 DSL	33-2062-1	HP-3002 ¹
C3500	5.7L V8 F/I	E-1500 ♦	HP-3002 ¹	C3500HD	7.4L V8 F/I	E-1500	HP-3002 ¹
C3500	6.5L V8 DSL	33-2062-1	HP-3002 ¹	Camaro	3.4L V6 F/I	33-2042 ♦	HP-1001 ¹
C3500	7.4L V8 F/I	E-1500 ♦	HP-3002 ¹	Camaro	5.7L V8 F/I	33-2042 ♦	HP-2002 ¹
C3500HD	5.7L V8 F/I	E-1500	HP-3002 ¹	Caprice	5.0L V8 F/I	33-2051	HP-2002 ¹
C3500HD	6.5L V8 DSL	33-2062-1	HP-3002 ¹	Caprice	5.7L V8 F/I	33-2051	HP-2002 ¹
C3500HD	7.4L V8 F/I	E-1500	HP-3002 ¹	Cavalier	2.2L L4 F/I	33-2022	HP-1001 ¹
Camaro	3.4L V6 F/I	33-2042 ♦	HP-1001 ¹	Cavalier Z24	3.1L V6 F/I	E-0890	HP-1001 ¹
Camaro	5.7L V8 F/I	33-2042 ♦	HP-2002 ¹	Corvette	5.7L V8 F/I	33-2035	HP-2001 ¹
Caprice	4.3L V8 F/I	33-2057	HP-2001 ¹	Corvette ZR1	5.7L V8 F/I	33-2035	HP-2007
Caprice	5.7L V8 F/I	33-2057 ♦	HP-2001 ¹	G20	5.7L V8 F/I		HP-3002 ¹
Cavalier	2.2L L4 F/I	33-2022	HP-1001 ¹	G30	5.7L V8 F/I		HP-3002 ¹
Cavalier Z24	3.1L V6 F/I	E-0890	HP-1001 ¹	K1500	4.3L V6 F/I	E-1150	HP-2001 ¹
Corvette	5.7L V8 F/I	33-2035	HP-2001 ¹	K1500	5.0L V8 F/I	E-1500 ♦	HP-2001 ¹
Corvette ZR1	5.7L V8 F/I	33-2035	HP-2007	K1500	5.7L V8 F/I	E-1500 ♦	HP-2001 ¹
G20	5.7L V8 F/I	E-1150	HP-3002 ¹	K1500	6.5L V8 DSL		HP-3002 ¹
Impala SS	5.7L V8 F/I	33-2057 ♦	HP-2001 ¹	K1500	6.5L V8 DSL - Exc. Turbo	E-1690	HP-3002
K1500	4.3L V6 F/I	E-1150	HP-2001 ¹	K1500	6.5L V8 DSL - Turbo	33-2062-1	HP-3002 ¹
K1500	5.0L V8 F/I	E-1500 ♦	HP-2001 ¹	K1500 Suburban	5.7L V8 F/I	E-1500 ♦	HP-2001 ¹
K1500	5.7L V8 F/I	E-1500 ♦	HP-2001 ¹	K1500 Suburban	6.5L V8 DSL	33-2062-1	HP-3002 ¹
K1500	6.5L V8 DSL		HP-3002 ¹	K2500	5.7L V8 F/I	E-1500 ♦	HP-2001 ¹
K1500	6.5L V8 DSL - Exc. Turbo	E-1690	HP-3002	K2500	6.5L V8 DSL - Exc. Turbo	E-1690	HP-3002 ¹
K1500	6.5L V8 DSL - Turbo	33-2062-1	HP-3002 ¹	K2500	6.5L V8 DSL - Turbo	33-2062-1	HP-3002 ¹
K1500 Suburban	5.7L V8 F/I	E-1500 ♦	HP-2001 ¹	K2500	7.4L V8 F/I	E-1500 ♦	HP-3002 ¹
K1500 Suburban	6.5L V8 DSL	33-2062-1	HP-3002 ¹	K2500 Suburban	5.7L V8 F/I	E-1500 ♦	HP-2001 ¹
K2500	5.7L V8 F/I	E-1500 ♦	HP-2001 ¹	K2500 Suburban	7.4L V8 F/I	E-1500 ♦	HP-3002 ¹
K2500	6.5L V8 DSL - Exc. Turbo	E-1690	HP-3002 ¹	K3500	6.5L V8 DSL	33-2062-1	HP-3002 ¹
K2500	6.5L V8 DSL - Turbo	33-2062-1	HP-3002 ¹	K3500	7.4L V8 F/I	E-1500 ♦	HP-3002 ¹
K2500	7.4L V8 F/I	E-1500 ♦	HP-3002 ¹	Lumina	3.1L V6 F/I	33-2038	HP-1001 ¹
K2500 Suburban	5.7L V8 F/I	E-1500 ♦	HP-2001 ¹	Lumina APV	3.1L V6 F/I	E-1065	HP-1001 ¹
K2500 Suburban	6.5L V8 DSL	33-2062-1	HP-3002 ¹	S10 Blazer	4.3L V6 CPI	33-2042	HP-2001 ¹
K2500 Suburban	7.4L V8 F/I	E-1500 ♦	HP-3002 ¹	S10 Blazer	4.3L V6 TBI	E-1065 ♦	HP-2001 ¹
K3500	6.5L V8 DSL	33-2062-1	HP-3002 ¹	S10 Pickup	2.5L L4 F/I	E-1015	HP-1001 ¹
K3500	7.4L V8 F/I	E-1500 ♦	HP-3002 ¹	S10 Pickup	2.8L V6 F/I	E-1065	HP-2001 ¹
Lumina APV	3.1L V6 F/I	E-1065	HP-1001 ¹	S10 Pickup	4.3L V6 CPI	33-2042	HP-2001 ¹
P30	7.4L V8 F/I	E-1500	HP-3002 ¹	S10 Pickup	4.3L V6 TBI	E-1065 ♦	HP-2001 ¹
S10 Blazer	4.3L V6 CPI	33-2042	HP-2001 ¹	Silverado	5.7L V8 F/I		HP-3002 ¹
S10 Blazer	4.3L V6 TBI	E-1065 ♦	HP-2001 ¹				
S10 Pickup	2.2L L4 F/I	33-2042 ♦	HP-1001 ¹				
S10 Pickup	4.3L V6 CPI	33-2042 ♦	HP-2001 ¹				
S10 Pickup	4.3L V6 TBI	E-1065 ♦	HP-2001 ¹				
Silverado	5.7L V8 F/I		HP-3002 ¹				
1993 CHEVROLET				1992 CHEVROLET			
Astro	4.3L V6 CPI	33-2042	HP-2001 ¹	Astro	4.3L V6 CPI	33-2042	HP-2001 ¹
Astro	4.3L V6 TBI	E-1065	HP-2001 ¹	Astro	4.3L V6 TBI	E-1065	HP-2001 ¹
Blazer	5.7L V8 F/I	E-1500 ♦		Blazer	5.7L V8 F/I	E-1500 ♦	
Blazer	5.7L V8 F/I - 2WD	E-1500	HP-3002 ¹	Blazer	5.7L V8 F/I - 2WD	E-1500	HP-3002 ¹
Blazer	5.7L V8 F/I - 4WD	E-1500	HP-2001 ¹	Blazer	5.7L V8 F/I - 4WD	E-1500	HP-2001 ¹
C1500	4.3L V6 F/I	E-1150	HP-2001 ¹	C1500	4.3L V6 F/I	E-1150	HP-2001 ¹
C1500	5.0L V8 F/I	E-1500 ♦	HP-3002 ¹	C1500	5.0L V8 F/I	E-1500 ♦	HP-3002 ¹
C1500	5.7L V8 F/I	E-1500 ♦	HP-3002 ¹	C1500	5.7L V8 F/I	E-1500 ♦	HP-3002 ¹
C1500	7.4L V8 F/I	E-1500 ♦	HP-3002 ¹	C1500	6.2L V8 DSL	E-1690	HP-3002 ¹
C1500 Suburban	5.7L V8 F/I	E-1500 ♦	HP-3002 ¹	C1500	7.4L V8 F/I	E-1500 ♦	HP-3002 ¹
C2500	5.7L V8 F/I	E-1500 ♦	HP-3002 ¹	C1500 Suburban	5.7L V8 F/I	E-1500 ♦	HP-3002 ¹
C2500 Suburban	5.7L V8 F/I	E-1500 ♦	HP-3002 ¹	C2500	5.7L V8 F/I	E-1500 ♦	HP-3002 ¹
C2500 Suburban	7.4L V8 F/I	E-1500 ♦	HP-3002 ¹	C2500 Suburban	5.7L V8 F/I	E-1500 ♦	HP-3002 ¹
C3500	7.4L V8 F/I	E-1500 ♦	HP-3002 ¹	C2500 Suburban	7.4L V8 F/I	E-1500 ♦	HP-3002 ¹
C3500HD	7.4L V8 F/I	E-1500	HP-3002 ¹	C3500	7.4L V8 F/I	E-1500 ♦	HP-3002 ¹
Camaro	3.1L V6 F/I	E-0890	HP-2001 ¹	C3500HD	7.4L V8 F/I	E-1500	HP-3002 ¹
Camaro	5.0L V8 TBI	E-1450	HP-2002 ¹	Camaro	3.1L V6 F/I	E-0890	HP-2001 ¹
Camaro	5.0L V8 TPI	33-2008-1*	HP-2002 ¹	Camaro	5.0L V8 TBI	E-1450	HP-2002 ¹
Camaro	5.7L V8 TPI	33-2008-1*	HP-2002 ¹	Camaro	5.0L V8 TPI	33-2008-1*	HP-2002 ¹
Caprice	5.0L V8 F/I	33-2051	HP-2002 ¹	Caprice	5.7L V8 F/I	33-2051	HP-2002 ¹
Caprice	5.7L V8 F/I	33-2051	HP-2002 ¹	Caprice	5.7L V8 F/I	33-2051	HP-2002 ¹
Cavalier	2.2L L4 F/I	33-2022	HP-1001 ¹	Cavalier	2.2L L4 F/I	33-2022	HP-1001 ¹

* 2 filters required ♦ Intake System Available - see page 81 +Cabin Air Filter Available - see page 453 1- Pro Series Filter Available

AIR & OIL FILTERS

CHEVROLET

Vehicle	Engine Type	Air Filter	Oil Filter
1992 CHEVROLET			
Cavalier Z24	3.1L V6 F/I	E-0890	HP-1001 ¹
Corvette	5.7L V8 F/I	33-2035	HP-2001 ¹
Corvette ZR1	5.7L V8 F/I	33-2035	HP-2007
K1500	4.3L V6 F/I	E-1150	HP-2001 ¹
K1500	5.0L V8 F/I	E-1500 ♦	HP-2001 ¹
K1500	5.7L V8 F/I	E-1500 ♦	HP-2001 ¹
K1500 Suburban	5.7L V8 F/I	E-1500 ♦	HP-2001 ¹
K2500	5.7L V8 F/I	E-1500 ♦	HP-2001 ¹
K2500	6.5L V8 DSL	33-2062-1	HP-3002 ¹
K2500	7.4L V8 F/I	E-1500 ♦	HP-3002 ¹
K2500 Suburban	5.7L V8 F/I	E-1500 ♦	HP-2001 ¹
K2500 Suburban	7.4L V8 F/I	E-1500 ♦	HP-3002 ¹
K3500	7.4L V8 F/I	E-1500 ♦	HP-3002 ¹
Lumina	3.1L V6 F/I	33-2038	HP-2001 ¹
Lumina APV	3.1L V6 F/I	E-1065	HP-2001 ¹
S10 Blazer	4.3L V6 CPI	33-2042	HP-2001 ¹
S10 Pickup	2.5L L4 F/I	E-1015	HP-1001 ¹
S10 Pickup	2.8L V6 F/I	E-1065	HP-2001 ¹
S10 Pickup	4.3L V6 CPI	33-2042	HP-2001 ¹
S10 Pickup	4.3L V6 TBI	E-1065 ♦	HP-2001 ¹

1991 CHEVROLET			
Blazer	3.1L V6 F/I		HP-2001 ¹
Blazer	5.7L V8 F/I	E-1500 ♦	HP-3002 ¹
C1500	4.3L V6 F/I	E-1150	HP-2001 ¹
C1500	5.0L V8 F/I	E-1500 ♦	HP-3002 ¹
C1500	5.7L V8 F/I	E-1500 ♦	HP-3002 ¹
C1500	6.2L V8 DSL	E-1690	
C1500	7.4L V8 F/I		HP-3002 ¹
C1500	7.4L V8 F/I - w/3-7/16 inch Tall Filter	E-1500 ♦	HP-3002
C1500	7.4L V8 F/I - w/5-1/2 inch Tall Filter	E-1420 ♦	HP-3002
C2500	5.7L V8 F/I	E-1500 ♦	HP-3002 ¹
C2500	7.4L V8 F/I		HP-3002 ¹
C2500	7.4L V8 F/I - w/3-7/16 inch Tall Filter	E-1500 ♦	HP-3002
C3500	7.4L V8 F/I		HP-3002 ¹
C3500	7.4L V8 F/I - w/3-7/16 inch Tall Filter	E-1500 ♦	HP-3002
C3500	7.4L V8 F/I - w/5-1/2 inch Tall Filter	E-1420 ♦	HP-3002
C3500HD	7.4L V8 F/I		HP-3002 ¹
C3500HD	7.4L V8 F/I - w/3-7/16 inch Tall Filter	E-1500	HP-3002
C3500HD	7.4L V8 F/I - w/5-1/2 inch Tall Filter	E-1420	HP-3002
Camaro	3.1L V6 F/I	E-0890	HP-2001 ¹
Camaro	5.0L V8 TBI	E-1450	HP-2002 ¹
Camaro	5.0L V8 TPI	33-2008-1*	HP-2002 ¹
Camaro	5.7L V8 TPI	33-2008-1*	HP-2002 ¹
Caprice	5.0L V8 F/I	33-2051	HP-2002 ¹
Caprice	5.7L V8 F/I	33-2051	HP-2002 ¹
Cavalier	2.2L L4 F/I	E-1015	HP-2001 ¹
Corvette	5.7L V8 F/I	33-2035	HP-2002 ¹
Corvette ZR1	5.7L V8 F/I	33-2035	HP-2007
G20	5.7L V8 F/I	E-1150	HP-3002 ¹
K1500	4.3L V6 F/I	E-1150	HP-2001 ¹
K1500	5.0L V8 F/I	E-1500 ♦	HP-2001 ¹
K1500	5.7L V8 F/I	E-1500 ♦	HP-2001 ¹
K2500	5.7L V8 F/I	E-1500 ♦	HP-2001 ¹
K2500	7.4L V8 F/I		HP-3002 ¹
K2500	7.4L V8 F/I - w/3-7/16 inch Tall Filter	E-1500 ♦	HP-3002
K2500	7.4L V8 F/I - w/5-1/2 inch Tall Filter	E-1420 ♦	HP-3002
Lumina APV	3.1L V6 F/I	E-1065	
R1500 Suburban	5.7L V8 F/I	E-1500 ♦	HP-3002 ¹

Vehicle	Engine Type	Air Filter	Oil Filter
1991 CHEVROLET			
S10 Blazer	4.3L V6 F/I	E-1065 ♦	HP-2001 ¹
S10 Pickup	2.5L L4 F/I	E-1015	HP-1001 ¹
S10 Pickup	2.8L V6 F/I	E-1065	HP-2001 ¹
S10 Pickup	4.3L V6 F/I	E-1065 ♦	HP-2001 ¹
V1500 Suburban	5.7L V8 F/I	E-1500 ♦	HP-3002 ¹
1990 CHEVROLET			
Astro	4.3L V6 F/I	E-1065	
Beretta	2.3L L4 F/I	33-2022	
Beretta	3.1L V6 F/I	33-2037	HP-1001 ¹
Blazer	5.7L V8 F/I	E-1500 ♦	HP-3002 ¹
C1500	4.3L V6 F/I	E-1150	HP-2001 ¹
C1500	5.0L V8 F/I	E-1500 ♦	HP-3002 ¹
C1500	5.7L V8 F/I	E-1500 ♦	HP-3002 ¹
C1500	6.2L V8 DSL	E-1690	HP-3002 ¹
C1500	7.4L V8 F/I		HP-3002 ¹
C1500	7.4L V8 F/I - w/3-7/16 inch Tall Filter	E-1500 ♦	HP-3002
C1500	7.4L V8 F/I - w/5-1/2 inch Tall Filter	E-1420 ♦	HP-3002
C2500	5.7L V8 F/I	E-1500 ♦	HP-3002 ¹
C3500	7.4L V8 F/I		HP-3002 ¹
C3500	7.4L V8 F/I - w/3-7/16 inch Tall Filter	E-1500 ♦	HP-3002
C3500	7.4L V8 F/I - w/5-1/2 inch Tall Filter	E-1420 ♦	HP-3002
Camaro	3.1L V6 F/I	E-0890	HP-2001 ¹
Camaro	5.0L V8 TBI	E-1450	HP-2002 ¹
Camaro	5.0L V8 TPI	33-2008-1*	HP-2002 ¹
Camaro	5.7L V8 F/I	33-2008-1*	HP-2002 ¹
Caprice	5.0L V8 CARB		HP-2006 ¹
Caprice	5.0L V8 F/I	E-1500	HP-2002 ¹
Caprice	5.7L V8 F/I	E-1500	HP-2002 ¹
Cavalier Z24	3.1L V6 F/I	E-0890	HP-1001 ¹
Corvette	5.7L V8 F/I	33-2035	HP-2002 ¹
Corvette ZR1	5.7L V8 F/I	33-2035	HP-2007
G10	4.3L V6 F/I	E-1150	HP-2001 ¹
G20	5.7L V8 F/I	E-1150	HP-3002 ¹
K1500	4.3L V6 F/I	E-1150	HP-2001 ¹
K1500	5.0L V8 F/I	E-1500 ♦	HP-2001 ¹
K1500	5.7L V8 F/I	E-1500 ♦	HP-2001 ¹
K2500	5.7L V8 F/I	E-1500 ♦	HP-2001 ¹
K3500	7.4L V8 F/I		HP-3002 ¹
K3500	7.4L V8 F/I - w/3-7/16 inch Tall Filter	E-1500 ♦	HP-3002
K3500	7.4L V8 F/I - w/5-1/2 inch Tall Filter	E-1420 ♦	HP-3002
Lumina	3.1L V6 F/I	33-2038	HP-2001 ¹
Lumina APV	3.1L V6 F/I	E-1065	HP-2001 ¹
R1500 Suburban	5.7L V8 F/I	E-1500 ♦	HP-3002 ¹
R2500 Suburban	7.4L V8 F/I		HP-3002 ¹
R2500 Suburban	7.4L V8 F/I - w/3-7/16 inch Tall Filter	E-1500 ♦	HP-3002
S10 Blazer	4.3L V6 F/I	E-1065 ♦	HP-2001 ¹
S10 Pickup	2.5L L4 F/I	E-1015	HP-1001 ¹
S10 Pickup	4.3L V6 F/I	E-1065 ♦	HP-2001 ¹
V1500 Suburban	5.7L V8 F/I	E-1500 ♦	HP-3002 ¹

1989 CHEVROLET			
Astro	4.3L V6 F/I	E-1065	
Blazer	5.7L V8 F/I	E-1500 ♦	HP-3002 ¹
C1500	4.3L V6 F/I	E-1150	HP-2001 ¹
C1500	5.0L V8 F/I	E-1500 ♦	HP-3002 ¹
C1500	5.7L V8 F/I	E-1500 ♦	HP-3002 ¹
C1500	6.2L V8 DSL	E-1690	
C2500	5.7L V8 F/I	E-1500 ♦	HP-3002 ¹
C3500	7.4L V8 F/I		HP-3002 ¹

* 2 filters required ♦ Intake System Available - see page 81 +Cabin Air Filter Available - see page 453 1- Pro Series Filter Available

CHEVROLET

AIR & OIL FILTERS

Vehicle	Engine Type	Air Filter	Oil Filter
1989 CHEVROLET			
C3500	7.4L V8 F/I - w/3-7/16 inch Tall Filter	E-1500 ♦	HP-3002
C3500	7.4L V8 F/I - w/5-1/2 inch Tall Filter	E-1420 ♦	HP-3002
Camaro	2.8L V6 F/I	33-2008-1*	HP-2001 ¹
Camaro	5.0L V8 MFI	33-2008-1*	HP-2002 ¹
Camaro	5.0L V8 TBI	E-1450	HP-2002 ¹
Camaro	5.7L V8 F/I	33-2008-1*	HP-2002 ¹
Caprice	5.0L V8 CARB		HP-2006 ¹
Caprice	5.0L V8 F/I	E-1500	HP-2002 ¹
Caprice	5.7L V8 F/I	E-1500	
Caprice	5.7L V8 F/I - w/o oil cooler	E-1500	HP-3002 ¹
Caprice	5.7L V8 F/I - w/oil cooler	E-1500	HP-2002 ¹
Cavalier Z24	2.8L V6 F/I	E-0890	HP-1001 ¹
Corvette	5.7L V8 F/I	33-2014	HP-2002 ¹
G20	5.7L V8 F/I	E-1150	HP-3002 ¹
K1500	4.3L V6 F/I	E-1150	HP-2001 ¹
K1500	5.0L V8 F/I	E-1500 ♦	HP-2001 ¹
K1500	5.7L V8 F/I	E-1500 ♦	HP-2001 ¹
K2500	5.7L V8 F/I	E-1500 ♦	HP-2001 ¹
K3500	7.4L V8 F/I	HP-3002 ¹	HP-3002 ¹
K3500	7.4L V8 F/I - w/3-7/16 inch Tall Filter	E-1500 ♦	HP-3002
K3500	7.4L V8 F/I - w/5-1/2 inch Tall Filter	E-1420 ♦	HP-3002
R1500 Suburban	5.7L V8 F/I	E-1500 ♦	HP-3002 ¹
R2500 Suburban	7.4L V8 F/I		HP-3002 ¹
R2500 Suburban	7.4L V8 F/I - w/3-7/16 inch Tall Filter	E-1500 ♦	HP-3002
R2500 Suburban	7.4L V8 F/I - w/5-1/2 inch Tall Filter	E-1420 ♦	HP-3002
S10 Blazer	4.3L V6 F/I	E-1065 ♦	HP-2001 ¹
S10 Pickup	2.5L L4 F/I	E-1015	HP-1001 ¹
S10 Pickup	2.8L V6 F/I	E-1065	
S10 Pickup	2.8L V6 F/I - 2WD	E-1065	HP-2001 ¹
S10 Pickup	2.8L V6 F/I - 4WD	E-1065	HP-1001 ¹
S10 Pickup	4.3L V6 F/I	E-1065 ♦	HP-2001 ¹
V1500 Suburban	5.7L V8 F/I	E-1500 ♦	HP-3002 ¹
V2500 Suburban	5.7L V8 F/I	E-1500 ♦	HP-3002 ¹

Vehicle	Engine Type	Air Filter	Oil Filter
1988 CHEVROLET			
Blazer	5.7L V8 F/I	E-1500 ♦	HP-3002 ¹
C1500	4.3L V6 F/I	E-1150	HP-2001 ¹
C1500	5.0L V8 F/I	E-1500 ♦	HP-3002 ¹
C1500	5.7L V8 F/I	E-1500 ♦	HP-3002 ¹
C2500	5.7L V8 F/I	E-1500 ♦	HP-3002 ¹
C3500	5.7L V8 F/I	E-1500 ♦	HP-3002 ¹
C3500	7.4L V8 F/I		HP-3002 ¹
C3500	7.4L V8 F/I - w/3-7/16 inch Tall Filter	E-1500 ♦	HP-3002
C3500	7.4L V8 F/I - w/5-1/2 inch Tall Filter	E-1420 ♦	HP-3002
Camaro	2.8L V6 F/I	33-2008-1*	HP-1001 ¹
Camaro	5.0L V8 MFI	33-2008-1*	HP-2002 ¹
Camaro	5.0L V8 TBI	E-1450	HP-2002 ¹
Camaro	5.7L V8 F/I	33-2008-1*	HP-2002 ¹
Caprice	5.0L V8 CARB	E-1500	
Caprice	5.0L V8 CARB - w/Chevrolet Eng.	E-1500	HP-2002 ¹
Caprice	5.0L V8 CARB - w/Oldsmobile Eng.	E-1500	HP-2006 ¹
Caprice	5.7L V8 CARB - w/o oil cooler		HP-3002 ¹
Corsica	2.8L V6 F/I	E-0930	
Corvette	5.7L V8 F/I	33-2014	HP-2002 ¹
K1500	4.3L V6 F/I	E-1150	
K1500	5.0L V8 F/I	E-1500 ♦	HP-2001 ¹

Vehicle	Engine Type	Air Filter	Oil Filter
1988 CHEVROLET			
K1500	5.7L V8 F/I	E-1500 ♦	HP-2001 ¹
K2500	5.7L V8 F/I	E-1500 ♦	HP-2001 ¹
Monte Carlo	5.0L V8 CARB	E-1500	HP-2002 ¹
R10 Suburban	5.7L V8 F/I	E-1500 ♦	HP-3002 ¹
S10 Blazer	2.8L V6 F/I	E-1065	
S10 Blazer	2.8L V6 F/I - 2WD	E-1065	HP-2001 ¹
S10 Blazer	2.8L V6 F/I - 4WD	E-1065	HP-1001 ¹
S10 Blazer	4.3L V6 F/I	E-1065 ♦	HP-2001 ¹
S10 Pickup	2.5L L4 F/I	E-1015	HP-1001 ¹
S10 Pickup	2.8L V6 F/I	E-1065	
S10 Pickup	2.8L V6 F/I - 2WD	E-1065	HP-2001 ¹
S10 Pickup	2.8L V6 F/I - 4WD	E-1065	HP-1001 ¹
S10 Pickup	4.3L V6 F/I	E-1065 ♦	HP-2001 ¹
V10 Suburban	5.7L V8 F/I	E-1500 ♦	HP-3002 ¹

Vehicle	Engine Type	Air Filter	Oil Filter
1987 CHEVROLET			
Blazer	5.7L V8 F/I	E-1500	HP-3002 ¹
C10	5.7L V8 CARB		HP-3002 ¹
C20	5.7L V8 CARB		HP-3002 ¹
C30 Truck	5.7L V8 CARB		HP-3002 ¹
Camaro	2.8L V6 F/I	33-2008-1*	HP-1001 ¹
Camaro	5.0L V8 CARB	E-1450	HP-2002 ¹
Camaro	5.0L V8 F/I	33-2008-1*	HP-2002 ¹
Camaro	5.7L V8 F/I	33-2008-1*	HP-2002 ¹
Caprice	5.0L V8 CARB	E-1500	
Caprice	5.0L V8 CARB - w/Chevrolet Eng.	E-1500	HP-2002 ¹
Caprice	5.0L V8 CARB - w/Oldsmobile Eng.	E-1500	HP-2006 ¹
Caprice	5.7L V8 CARB	E-1500	
Caprice	5.7L V8 CARB - w/o oil cooler	E-1500	HP-3002 ¹
Caprice	5.7L V8 CARB - w/oil cooler	E-1500	HP-2002 ¹
Cavalier Z24	2.8L V6 F/I	E-0890	
Corvette	5.7L V8 F/I	33-2014	HP-2002 ¹
El Camino	4.3L V6 F/I	E-1450	HP-2001 ¹
El Camino	5.0L V8 CARB	E-1500	HP-2002 ¹
Monte Carlo	4.3L V6 F/I	E-1450	HP-2001 ¹
Monte Carlo	5.0L V8 CARB	E-1500	HP-2002 ¹
R10 Truck	5.0L V8 F/I	E-1500	HP-3002 ¹
R10 Truck	5.7L V8 F/I	E-1500	HP-3002 ¹
R20	5.7L V8 F/I	E-1500	HP-3002 ¹
R20 Suburban	5.7L V8 F/I	E-1500	HP-3002 ¹
R30	7.4L V8 CARB		HP-3002 ¹
R30	7.4L V8 CARB - w/3-7/16 inch Tall Filter	E-1500	HP-3002
R30	7.4L V8 CARB - w/5-1/2 inch Tall Filter	E-1420	HP-3002
R30	7.4L V8 F/I		HP-3002 ¹
R30	7.4L V8 F/I - w/3-7/16 inch Tall Filter	E-1500	HP-3002
R30	7.4L V8 F/I - w/5-1/2 inch Tall Filter	E-1420	HP-3002
S10 Blazer	2.8L V6 F/I	E-1065	
S10 Blazer	2.8L V6 F/I - 2WD	E-1065	HP-2001 ¹
S10 Blazer	2.8L V6 F/I - 4WD	E-1065	HP-1001 ¹
S10 Pickup	2.5L L4 F/I	E-1015	HP-1001 ¹
S10 Pickup	2.8L V6 F/I	E-1065	
S10 Pickup	2.8L V6 F/I - 2WD	E-1065	HP-2001 ¹
S10 Pickup	2.8L V6 F/I - 4WD	E-1065	HP-1001 ¹
V10	5.7L V8 F/I	E-1500	HP-3002 ¹
V10 Suburban	5.7L V8 F/I	E-1500	HP-3002 ¹
V20	5.7L V8 F/I	E-1500	HP-3002 ¹
V20 Suburban	5.7L V8 F/I	E-1500	HP-3002 ¹
V30	5.7L V8 CARB	E-1500	HP-3002 ¹
V30	5.7L V8 F/I	E-1500	HP-3002 ¹

* 2 filters required ♦ Intake System Available - see page 81 +Cabin Air Filter Available - see page 453 1- Pro Series Filter Available

AIR & OIL FILTERS

CHEVROLET

Vehicle	Engine Type	Air Filter	Oil Filter	Vehicle	Engine Type	Air Filter	Oil Filter
1986 CHEVROLET				1985 CHEVROLET			
C10	4.3L V6 CARB	E-1150	HP-2001 ¹	C20	5.7L V8 CARB - w/3-7/16 inch Tall Filter	E-1500	HP-3002
C10	5.0L V8 CARB	E-1420	HP-3002 ¹	C20	5.7L V8 CARB - w/5-1/2 inch Tall Filter	E-1420	HP-3002
C10	5.7L V8 CARB	E-1420	HP-3002 ¹	C20	7.4L V8 CARB		HP-3002 ¹
C10	6.2L V8 DSL	E-1690	HP-3002 ¹	C20	7.4L V8 CARB - w/3-7/16 inch Tall Filter	E-1500	HP-3002
C10 Suburban	5.0L V8 CARB	E-1420	HP-3002 ¹	C20 Suburban	5.7L V8 CARB	E-1420	HP-3002 ¹
C10 Suburban	5.7L V8 CARB	E-1420	HP-3002 ¹	C20 Suburban	7.4L V8 CARB	E-1500	HP-3002 ¹
C10 Suburban	6.2L V8 DSL	E-1690	HP-3002 ¹	C20 Suburban	7.4L V8 CARB - w/3-7/16 inch Tall Filter	E-1420	HP-3002
C20	5.7L V8 CARB	E-1420	HP-3002 ¹	C20 Suburban	7.4L V8 CARB - w/5-1/2 inch Tall Filter	E-1500	HP-3002
C20	7.4L V8 CARB		HP-3002 ¹	C20 Suburban	7.4L V8 CARB	E-1420	HP-3002
C20 Suburban	5.7L V8 CARB	E-1420	HP-3002 ¹	C20 Suburban	7.4L V8 CARB - w/3-7/16 inch Tall Filter	E-1420	HP-3002
C20 Suburban	7.4L V8 CARB		HP-3002 ¹	C20 Suburban	7.4L V8 CARB - w/5-1/2 inch Tall Filter	E-1420	HP-3002
C20 Suburban	7.4L V8 CARB - w/3-7/16 inch Tall Filter	E-1500	HP-3002	C30 Truck	5.7L V8 CARB		HP-3002 ¹
C20 Suburban	7.4L V8 CARB - w/5-1/2 inch Tall Filter	E-1420	HP-3002	C30 Truck	5.7L V8 CARB - w/3-7/16 inch Tall Filter	E-1500	HP-3002
C30 Truck	6.2L V8 DSL	E-1690		C30 Truck	5.7L V8 CARB - w/5-1/2 inch Tall Filter	E-1420	HP-3002
C30 Truck	7.4L V8 CARB	E-1420	HP-3002 ¹	C30 Truck	7.4L V8 CARB		HP-3002 ¹
Camaro	2.8L V6 F/I	33-2008-1*	HP-1001 ¹	C30 Truck	7.4L V8 CARB - w/3-7/16 inch Tall Filter	E-1500	HP-3002
Camaro	5.0L V8 CARB	E-1450	HP-2002 ¹	C30 Truck	7.4L V8 CARB - w/5-1/2 inch Tall Filter	E-1420	HP-3002
Camaro	5.0L V8 F/I	33-2008-1*	HP-2002 ¹	Camaro	2.8L V6 F/I	33-2008-1*	HP-1001 ¹
Caprice	5.0L V8 CARB	E-1500		Camaro	5.0L V8 CARB	E-1450	HP-2002 ¹
Caprice	5.0L V8 CARB - w/Chevrolet Eng.	E-1500	HP-2002 ¹	Camaro	5.0L V8 F/I	33-2008-1*	HP-2002 ¹
Caprice	5.0L V8 CARB - w/Oldsmobile Eng.	E-1500	HP-2006 ¹	Caprice	5.0L V8 CARB	E-1500	HP-2002 ¹
Caprice	5.7L V8 CARB	E-1500	HP-3002 ¹	Caprice	5.7L V8 CARB	E-1500	HP-3002 ¹
Cavalier	2.0L L4 F/I	E-1015	HP-2001 ¹	Caprice	5.7L V8 DSL	E-1690	HP-2006 ¹
Corvette	5.7L V8 F/I	33-2014	HP-2002 ¹	Corvette	5.7L V8 F/I	33-2014	HP-2002 ¹
El Camino	4.3L V6 F/I	E-1450	HP-2001 ¹	El Camino	5.0L V8 CARB	E-1500	HP-2002 ¹
El Camino	5.0L V8 CARB	E-1500	HP-2002 ¹	K5 Blazer	5.0L V8 CARB	E-1420	HP-3002 ¹
K5 Blazer	5.0L V8 CARB	E-1420	HP-3002 ¹	K5 Blazer	5.7L V8 CARB	E-1420	HP-3002 ¹
K5 Blazer	5.7L V8 CARB	E-1420	HP-3002 ¹	K5 Blazer	6.2L V8 DSL	E-1690	HP-3002 ¹
K5 Blazer	6.2L V8 DSL	E-1690	HP-3002 ¹	K10	5.0L V8 CARB	E-1420	HP-3002 ¹
K10	5.0L V8 CARB	E-1420	HP-3002 ¹	K10	5.7L V8 CARB		HP-3002 ¹
K10	5.7L V8 CARB	E-1420	HP-3002 ¹	K10	5.7L V8 CARB - w/3-7/16 inch Tall Filter	E-1500	HP-3002
K10 Suburban	5.0L V8 CARB	E-1420	HP-3002 ¹	K10	5.7L V8 CARB - w/5-1/2 inch Tall Filter	E-1420	HP-3002
K10 Suburban	5.7L V8 CARB	E-1420	HP-3002 ¹	K10	6.2L V8 DSL	E-1690	
K20	5.7L V8 CARB	E-1420	HP-3002 ¹	K10 Suburban	5.0L V8 CARB	E-1420	HP-3002 ¹
K20	6.2L V8 DSL	E-1690	HP-3002 ¹	K10 Suburban	5.7L V8 CARB	E-1420	HP-3002 ¹
K20 Suburban	5.7L V8 CARB	E-1420	HP-3002 ¹	K10 Suburban	6.2L V8 DSL	E-1690	HP-3002 ¹
K20 Suburban	6.2L V8 DSL	E-1690	HP-3002 ¹	K20	5.7L V8 CARB		HP-3002 ¹
K30	6.2L V8 DSL	E-1690	HP-3002 ¹	K20	5.7L V8 CARB - w/3-7/16 inch Tall Filter	E-1500	HP-3002
K30	7.4L V8 CARB		HP-3002 ¹	K20	5.7L V8 CARB - w/5-1/2 inch Tall Filter	E-1420	HP-3002
Monte Carlo	4.3L V6 F/I	E-1450	HP-2001 ¹	K20	6.2L V8 DSL	E-1690	
Monte Carlo	5.0L V8 CARB	E-1500	HP-2002 ¹	K20 Suburban	5.7L V8 CARB	E-1420	HP-3002 ¹
P30	7.4L V8 CARB		HP-3002 ¹	K20 Suburban	6.2L V8 DSL	E-1690	HP-3002 ¹
S10 Blazer	2.8L V6 F/I	E-1065		K20 Suburban	7.4L V8 CARB		HP-3002 ¹
S10 Blazer	2.8L V6 F/I - 2WD	E-1065	HP-2001 ¹	K30	6.2L V8 DSL	E-1690	HP-3002 ¹
S10 Blazer	2.8L V6 F/I - 4WD	E-1065	HP-1001 ¹	K30	7.4L V8 CARB		HP-3002 ¹
S10 Pickup	2.5L L4 F/I	E-1015	HP-1001 ¹	K30	7.4L V8 CARB - w/3-7/16 inch Tall Filter	E-1500	HP-3002
S10 Pickup	2.8L V6 F/I	E-1065		K30	7.4L V8 CARB - w/5-1/2 inch Tall Filter	E-1420	HP-3002
S10 Pickup	2.8L V6 F/I - 2WD	E-1065	HP-2001 ¹	K30	4.3L V6 F/I	E-1450	HP-2001 ¹
S10 Pickup	2.8L V6 F/I - 4WD	E-1065	HP-1001 ¹	Monte Carlo	5.0L V8 CARB	E-1500	HP-2002 ¹
1985 CHEVROLET				S10 Blazer	2.8L V6 CARB	E-1035	
C10	4.3L V6 CARB	E-1500	HP-2001 ¹	S10 Blazer	2.8L V6 CARB - 2WD	E-1035	HP-2001 ¹
C10	5.0L V8 CARB	E-1420	HP-3002 ¹	S10 Blazer	2.8L V6 CARB - 4WD	E-1035	HP-1001 ¹
C10	5.7L V8 CARB		HP-3002 ¹	S10 Pickup	2.5L L4 F/I	E-1015	
C10	5.7L V8 CARB - w/3-7/16 inch Tall Filter	E-1500	HP-3002	S10 Pickup	2.8L V6 CARB	E-1035	
C10	5.7L V8 CARB - w/5-1/2 inch Tall Filter	E-1420	HP-3002	S10 Pickup	2.8L V6 CARB - 2WD	E-1035	HP-2001 ¹
C10	6.2L V8 DSL	E-1690	HP-3002 ¹	S10 Pickup	2.8L V6 CARB - 4WD	E-1035	HP-1001 ¹
C10 Suburban	5.0L V8 CARB	E-1420	HP-3002 ¹				
C10 Suburban	5.7L V8 CARB	E-1420	HP-3002 ¹				
C10 Suburban	6.2L V8 DSL	E-1690	HP-3002 ¹				
C20	5.7L V8 CARB		HP-3002 ¹				

* 2 filters required ♦ Intake System Available - see page 81 +Cabin Air Filter Available - see page 453 1- Pro Series Filter Available

CHEVROLET

AIR & OIL FILTERS

Vehicle	Engine Type	Air Filter	Oil Filter	Vehicle	Engine Type	Air Filter	Oil Filter
1984 CHEVROLET				1983 CHEVROLET			
C10	4.1L L6 CARB	E-1030	HP-2002 ¹	C10 Suburban	5.7L V8 CARB - 2qt. Spin On	E-1420	HP-6002 ¹
C10	5.0L V8 CARB	E-1420	HP-3002 ¹	C10 Suburban	5.7L V8 CARB - w/o 2qt. Spin On	E-1420	HP-3002 ¹
C10	5.7L V8 CARB		HP-3002 ¹	C10 Suburban	6.2L V8 DSL	E-1690	HP-3002 ¹
C10	5.7L V8 CARB - w/3-7/16 inch Tall Filter	E-1500	HP-3002	C20	5.7L V8 CARB - w/3-7/16 inch Tall Filter	E-1500	
C10	5.7L V8 CARB - w/5-1/2 inch Tall Filter	E-1420	HP-3002	C20	5.7L V8 CARB - w/o 2qt. Spin On		HP-3002 ¹
C10	6.2L V8 DSL	E-1690	HP-3002 ¹	C20 Suburban	5.7L V8 CARB	E-1420	
C10 Suburban	5.0L V8 CARB	E-1420	HP-3002 ¹	C20 Suburban	5.7L V8 CARB - 2qt. Spin On	E-1420	HP-6002 ¹
C10 Suburban	5.7L V8 CARB	E-1420	HP-3002 ¹	C20 Suburban	5.7L V8 CARB - w/o 2qt. Spin On	E-1420	HP-3002 ¹
C10 Suburban	6.2L V8 DSL	E-1690	HP-3002 ¹	C30 Truck	7.4L V8 CARB		HP-3002 ¹
C20	5.7L V8 CARB	HP-3002 ¹		Camaro	5.0L V8 CARB	E-1450	HP-2002 ¹
C20	5.7L V8 CARB - w/3-7/16 inch Tall Filter	E-1500	HP-3002	Camaro	5.0L V8 F/I	E-1117*	HP-2002 ¹
C20	5.7L V8 CARB - w/5-1/2 inch Tall Filter	E-1420	HP-3002	El Camino	3.8L V6 CARB - VIN 9	E-1065	
C20 Suburban	5.7L V8 CARB	E-1420	HP-3002 ¹	El Camino	5.0L V8 CARB	E-1500	HP-2002 ¹
C20 Suburban	7.4L V8 CARB		HP-3002 ¹	El Camino	5.7L V8 DSL	E-1690	HP-2006 ¹
C20 Suburban	7.4L V8 CARB - w/3-7/16 inch Tall Filter	E-1500	HP-3002	K5 Blazer	5.7L V8 CARB		HP-3002 ¹
C30 Truck	5.7L V8 CARB		HP-3002 ¹	K5 Blazer	5.7L V8 CARB - w/3-7/16 inch Tall Filter	E-1500	HP-3002
C30 Truck	5.7L V8 CARB - w/3-7/16 inch Tall Filter	E-1500	HP-3002	K10	5.7L V8 CARB - 2qt. Spin On		HP-6002 ¹
C30 Truck	7.4L V8 CARB		HP-3002 ¹	K10	5.7L V8 CARB - w/3-7/16 inch Tall Filter	E-1500	
C30 Truck	7.4L V8 CARB - w/3-7/16 inch Tall Filter	E-1500	HP-3002	K10	5.7L V8 CARB - w/5-1/2 inch Tall Filter	E-1420	
Camaro	2.8L V6 CARB	E-1030	HP-1001 ¹	K10	5.7L V8 CARB - w/o 2qt. Spin On		HP-3002 ¹
Camaro	5.0L V8 CARB	E-1450	HP-2002 ¹	K10 Suburban	5.0L V8 CARB		HP-3002 ¹
Caprice	5.0L V8 CARB	E-1500	HP-2002 ¹	K10 Suburban	5.7L V8 CARB	E-1420	
Caprice	5.7L V8 DSL	E-1690		K10 Suburban	5.7L V8 CARB - 2qt. Spin On	E-1420	HP-6002 ¹
Corvette	5.7L V8 F/I	E-1984	HP-2002 ¹	K10 Suburban	5.7L V8 CARB - w/o 2qt. Spin On	E-1420	HP-3002 ¹
El Camino	5.0L V8 CARB	E-1500	HP-2002 ¹	K10 Suburban	6.2L V8 DSL	E-1690	
El Camino	5.7L V8 DSL	E-1690	HP-2006 ¹	K10 Suburban	5.7L V8 CARB - 2qt. Spin On		HP-6002 ¹
K5 Blazer	5.0L V8 CARB	E-1420	HP-3002 ¹	K20	5.7L V8 CARB - 2qt. Spin On		HP-6002 ¹
K5 Blazer	5.7L V8 CARB	E-1420	HP-3002 ¹	K20	5.7L V8 CARB - w/3-7/16 inch Tall Filter	E-1500	
K5 Blazer	6.2L V8 DSL	E-1690	HP-3002 ¹	K20	5.7L V8 CARB - w/3-7/16 inch Tall Filter	E-1420	
K10	5.0L V8 CARB	E-1420	HP-3002 ¹	K20	5.7L V8 CARB - w/5-1/2 inch Tall Filter		HP-3002 ¹
K10	5.7L V8 CARB		HP-3002 ¹	K20	5.7L V8 CARB - w/o 2qt. Spin On		HP-3002 ¹
K10	5.7L V8 CARB - w/3-7/16 inch Tall Filter	E-1500	HP-3002	K20 Suburban	5.7L V8 CARB	E-1420	HP-3002 ¹
K10	5.7L V8 CARB - w/5-1/2 inch Tall Filter	E-1420	HP-3002	Monte Carlo	5.0L V8 CARB	E-1500	HP-2002 ¹
K10 Suburban	5.0L V8 CARB	E-1420	HP-3002 ¹	Monte Carlo	5.7L V8 DSL	E-1690	HP-2006 ¹
K10 Suburban	5.7L V8 CARB	E-1420	HP-3002 ¹	P30	7.4L V8 CARB		HP-3002 ¹
K20	5.7L V8 CARB		HP-3002 ¹	S10 Pickup	2.8L V6 CARB	E-1035	
K20	5.7L V8 CARB - w/3-7/16 inch Tall Filter	E-1500	HP-3002	S10 Pickup	2.8L V6 CARB - 2WD	E-1035	HP-2001 ¹
K20	5.7L V8 CARB - w/5-1/2 inch Tall Filter	E-1420	HP-3002	S10 Pickup	2.8L V6 CARB - 4WD	E-1035	HP-1001 ¹
K20	5.7L V8 CARB	E-1420	HP-3002	1982 CHEVROLET			
K20 Suburban	5.7L V8 CARB	E-1420	HP-3002 ¹	C10	5.0L V8 CARB	E-1150	HP-3002 ¹
Monte Carlo	5.0L V8 CARB	E-1500	HP-2002 ¹	C10	5.7L V8 CARB	E-1420	
Monte Carlo	5.7L V8 DSL	E-1690	HP-2006 ¹	C10	5.7L V8 CARB - 2qt. Spin On	E-1420	HP-6002 ¹
P30	7.4L V8 CARB		HP-3002 ¹	C10	5.7L V8 CARB - w/o 2qt. Spin On	E-1420	HP-3002 ¹
S10 Pickup	2.8L V6 CARB	E-1035		C10	6.2L V8 DSL	E-1690	HP-3002 ¹
S10 Pickup	2.8L V6 CARB - 2WD	E-1035	HP-2001 ¹	C10 Suburban	5.0L V8 CARB	E-1420	HP-3002 ¹
S10 Pickup	2.8L V6 CARB - 4WD	E-1035	HP-1001 ¹	C10 Suburban	5.7L V8 CARB	E-1420	
1983 CHEVROLET				C10 Suburban	5.7L V8 CARB - 2qt. Spin On	E-1420	HP-6002 ¹
C10	5.0L V8 CARB	E-1420	HP-3002 ¹	C10 Suburban	5.7L V8 CARB - w/o 2qt. Spin On	E-1420	HP-3002 ¹
C10	5.7L V8 CARB - 2qt. Spin On		HP-6002 ¹	C10 Suburban	6.2L V8 DSL	E-1690	HP-3002 ¹
C10	5.7L V8 CARB - w/3-7/16 inch Tall Filter	E-1500		C10 Suburban	5.7L V8 CARB - w/o 2qt. Spin On	E-1420	HP-3002 ¹
C10	5.7L V8 CARB - w/5-1/2 inch Tall Filter	E-1420		C10 Suburban	6.2L V8 DSL	E-1690	HP-3002 ¹
C10	5.7L V8 CARB - w/o 2qt. Spin On		HP-3002 ¹	C20	5.7L V8 CARB - w/o 2qt. Spin On		HP-3002 ¹
C10	6.2L V8 DSL	E-1690	HP-3002 ¹	C20 Suburban	5.7L V8 CARB - w/o 2qt. Spin On		HP-3002 ¹
C10 Suburban	5.0L V8 CARB	E-1420	HP-3002 ¹				
C10 Suburban	5.7L V8 CARB	E-1420					

* 2 filters required ♦ Intake System Available - see page 81 +Cabin Air Filter Available - see page 453 1- Pro Series Filter Available

AIR & OIL FILTERS

CHEVROLET

Vehicle	Engine Type	Air Filter	Oil Filter	Vehicle	Engine Type	Air Filter	Oil Filter
1982 CHEVROLET				1980 CHEVROLET			
Camaro	5.0L V8 CARB	E-1450	HP-2002 ¹	C10	250 L6 CARB		HP-2002 ¹
Camaro	5.0L V8 F/I	E-1117*	HP-2002 ¹	C10	305 V8 CARB	E-1150	HP-3002 ¹
Corvette	5.7L V8 F/I	E-1117*	HP-2002 ¹	C10	350 V8 2 BBL.	E-1150	HP-3002 ¹
El Camino	5.0L V8 CARB	E-1500	HP-2002 ¹	C10	350 V8 4 BBL. - 2qt.		HP-6002 ¹
K5 Blazer	6.2L V8 DSL	E-1690		C10	350 V8 4 BBL. - Spin On	E-1500	
K10	5.7L V8 CARB	E-1420		C10	350 V8 4 BBL. - w/3-7/16 inch Tall Filter	E-1420	
K10	5.7L V8 CARB - 2qt. Spin On	E-1420	HP-6002 ¹	C10	350 V8 4 BBL. - w/5-1/2 inch Tall Filter		
K10	5.7L V8 CARB - w/o 2qt. Spin On	E-1420	HP-3002 ¹	C10	350 V8 4 BBL. - w/o 2qt. Spin On		HP-3002 ¹
K10 Suburban	5.7L V8 CARB	E-1420		C10	350 V8 DSL	E-1690	HP-2006 ¹
K10 Suburban	5.7L V8 CARB - 2qt. Spin On	E-1420	HP-6002 ¹	C10	454 V8 CARB - 2qt. Spin On		HP-6002 ¹
K10 Suburban	5.7L V8 CARB - w/o 2qt. Spin On	E-1420	HP-3002 ¹	C10	454 V8 CARB - w/3-7/16 inch Tall Filter	E-1500	
K20	5.7L V8 CARB	E-1420		C10	454 V8 CARB - w/5-1/2 inch Tall Filter	E-1420	
K20	5.7L V8 CARB - 2qt. Spin On	E-1420	HP-6002 ¹	C10	454 V8 CARB - w/o 2qt. Spin On		HP-3002 ¹
K20	5.7L V8 CARB - w/o 2qt. Spin On	E-1420	HP-3002 ¹	C10 Suburban	250 L6 CARB		HP-2002 ¹
K20 Suburban	5.7L V8 CARB	E-1420		C10 Suburban	305 V8 CARB	E-1150	HP-3002 ¹
K20 Suburban	5.7L V8 CARB - 2qt. Spin On	E-1420	HP-6002 ¹	C10 Suburban	350 V8 CARB - 2qt. Spin On		HP-6002 ¹
K20 Suburban	5.7L V8 CARB - w/o 2qt. Spin On	E-1420	HP-3002 ¹	C10 Suburban	350 V8 CARB - w/3-7/16 inch Tall Filter	E-1500	
S10 Pickup	2.8L V6 CARB	E-1035	HP-2001 ¹	C10 Suburban	350 V8 CARB - w/5-1/2 inch Tall Filter	E-1420	
1981 CHEVROLET				C10 Suburban	350 V8 CARB - w/o 2qt. Spin On		HP-3002 ¹
C10	4.1L L6 CARB	E-1030	HP-2002 ¹	C10 Suburban	350 V8 DSL	E-1690	HP-2006 ¹
C10	5.0L V8 2 BBL.	E-1150	HP-3002 ¹	C10 Suburban	454 V8 CARB - 2qt. Spin On		HP-6002 ¹
C10	5.0L V8 4 BBL.	E-1420	HP-3002 ¹	C10 Suburban	454 V8 CARB - w/3-7/16 inch Tall Filter	E-1500	
C10	5.7L V8 CARB	E-1420		C10 Suburban	454 V8 CARB - w/5-1/2 inch Tall Filter	E-1420	
C10	5.7L V8 CARB - 2qt. Spin On	E-1420	HP-6002 ¹	C10 Suburban	454 V8 CARB - w/o 2qt. Spin On		HP-3002 ¹
C10	5.7L V8 CARB - w/o 2qt. Spin On	E-1420	HP-3002 ¹	C20	350 V8 2 BBL.	E-1150	HP-3002 ¹
C10	5.7L V8 DSL	E-1690	HP-2006 ¹	C20	350 V8 4 BBL. - 2qt. Spin On		HP-6002 ¹
C10 Suburban	5.0L V8 2 BBL.	E-1150	HP-3002 ¹	C20	350 V8 4 BBL. - w/3-7/16 inch Tall Filter	E-1500	
C10 Suburban	5.0L V8 4 BBL.	E-1420	HP-3002 ¹	C20	350 V8 4 BBL. - w/5-1/2 inch Tall Filter	E-1420	
C10 Suburban	5.7L V8 CARB	E-1420		C20	350 V8 4 BBL. - w/o 2qt. Spin On		HP-3002 ¹
C10 Suburban	5.7L V8 CARB - 2qt. Spin On	E-1420	HP-6002 ¹	C20 Suburban	350 V8 CARB - 2qt. Spin On		HP-6002 ¹
C10 Suburban	5.7L V8 CARB - w/o 2qt. Spin On	E-1420	HP-3002 ¹	C20 Suburban	350 V8 CARB - w/3-7/16 inch Tall Filter	E-1500	
C30 Truck	7.4L V8 CARB - w/o 2qt. Spin On		HP-3002 ¹	C20 Suburban	350 V8 CARB - w/5-1/2 inch Tall Filter	E-1420	
Camaro	3.8L V6 CARB - VIN A		HP-1001 ¹	C20 Suburban	350 V8 CARB - w/o 2qt. Spin On		HP-3002 ¹
Camaro	3.8L V6 CARB - VIN K	E-1065	HP-2001 ¹	C20 Suburban	350 V8 CARB - w/3-7/16 inch Tall Filter	E-1500	
Camaro	5.0L V8 CARB	E-1500	HP-2002 ¹	C20 Suburban	350 V8 CARB - w/5-1/2 inch Tall Filter	E-1420	
Camaro	5.7L V8 CARB	E-1500	HP-2002 ¹	C20 Suburban	350 V8 CARB - w/o 2qt. Spin On		HP-3002 ¹
Corvette	5.7L V8 CARB	E-1500	HP-2002 ¹	Camaro	305 V8 CARB	E-1500	HP-2002 ¹
El Camino	3.8L V6 CARB - VIN A	E-1150	HP-1001 ¹	Camaro	350 V8 CARB	E-1500	HP-2002 ¹
El Camino	3.8L V6 CARB - VIN K	E-1065	HP-2001 ¹	Caprice	350 V8 DSL	E-1690	
El Camino	5.0L V8 CARB	E-1500	HP-2002 ¹	Corvette	350 V8 CARB	E-1500	HP-2002 ¹
K5 Blazer	5.7L V8 CARB		HP-3002 ¹	El Camino	305 V8 CARB	E-1500	HP-2002 ¹
K10	5.7L V8 CARB	E-1420		Impala	350 V8 DSL	E-1690	HP-2006 ¹
K10	5.7L V8 CARB - 2qt. Spin On	E-1420	HP-6002 ¹	K5 Blazer	350 V8 CARB - w/3-7/16 inch Tall Filter	E-1500	
K10	5.7L V8 CARB - w/o 2qt. Spin On	E-1420	HP-3002 ¹	K5 Blazer	350 V8 CARB - w/o 2qt. Spin On		HP-3002 ¹
K10 Suburban	5.7L V8 CARB	E-1420		K10	350 V8 CARB - 2qt. Spin On		HP-6002 ¹
K10 Suburban	5.7L V8 CARB - 2qt. Spin On	E-1420	HP-6002 ¹	K10	350 V8 CARB - w/3-7/16 inch Tall Filter	E-1500	
K10 Suburban	5.7L V8 CARB - w/o 2qt. Spin On	E-1420	HP-3002 ¹	K10	350 V8 CARB - w/5-1/2 inch Tall Filter	E-1420	
K20	5.7L V8 CARB - w/o 2qt. Spin On		HP-3002 ¹	K10	350 V8 CARB - w/o 2qt. Spin On		HP-3002 ¹
K20 Suburban	5.7L V8 CARB - w/o 2qt. Spin On		HP-3002 ¹	K10 Suburban	350 V8 CARB - 2qt. Spin On		HP-6002 ¹
Malibu	5.7L V8 CARB	E-1500	HP-2002 ¹				

* 2 filters required ♦ Intake System Available - see page 81 +Cabin Air Filter Available - see page 453 1- Pro Series Filter Available

CHEVROLET

AIR & OIL FILTERS

Vehicle	Engine Type	Air Filter	Oil Filter	Vehicle	Engine Type	Air Filter	Oil Filter
1980 CHEVROLET				1979 CHEVROLET			
K10 Suburban	350 V8 CARB - w/3-7/16 inch Tall Filter	E-1500		K5 Blazer	350 V8 CARB	E-1500	
K10 Suburban	350 V8 CARB - w/5-1/2 inch Tall Filter	E-1420		K5 Blazer	350 V8 CARB - 2qt. Spin On	E-1500	HP-6002 ¹
K10 Suburban	350 V8 CARB - w/o 2qt. Spin On		HP-3002 ¹	K5 Blazer	350 V8 CARB - w/o 2qt. Spin On	E-1500	HP-3002 ¹
K20	350 V8 CARB - w/3-7/16 inch Tall Filter	E-1500		K10	350 V8 CARB	E-1450	
K20	350 V8 CARB - w/o 2qt. Spin On		HP-3002 ¹	K10	350 V8 CARB - 2qt. Spin On	E-1450	HP-6002 ¹
K20 Suburban	350 V8 2 BBL.	E-1150	HP-3002 ¹	K10	350 V8 CARB - w/o 2qt. Spin On	E-1450	HP-3002 ¹
K20 Suburban	350 V8 4 BBL. - w/3-7/16 inch Tall Filter	E-1500		K10 Suburban	350 V8 CARB	E-1450	
K20 Suburban	350 V8 4 BBL. - w/o 2qt. Spin On		HP-3002 ¹	K10 Suburban	350 V8 CARB - 2qt. Spin On	E-1450	HP-6002 ¹
Luv	111 L4 CARB	E-2760		K10 Suburban	350 V8 CARB - w/o 2qt. Spin On	E-1450	HP-3002 ¹
Malibu	350 V8 CARB	E-1500	HP-2002 ¹	K20	350 V8 CARB	E-1450	
Monte Carlo	305 V8 CARB	E-1500	HP-2002 ¹	K20	350 V8 CARB - 2qt. Spin On	E-1450	HP-6002 ¹
1979 CHEVROLET				K20	350 V8 CARB - w/o 2qt. Spin On	E-1450	HP-3002 ¹
C10	250 L6 CARB	E-1030	HP-2002 ¹	K20 Suburban	350 V8 CARB	E-1500	
C10	305 V8 CARB	E-1150	HP-3002 ¹	K20 Suburban	350 V8 CARB - 2qt. Spin On	E-1500	HP-6002 ¹
C10	350 V8 CARB	E-1450		K20 Suburban	350 V8 CARB - w/o 2qt. Spin On	E-1500	HP-3002 ¹
C10	350 V8 CARB - 2qt. Spin On	E-1450	HP-6002 ¹	Malibu	305 V8 CARB	E-1500	HP-2002 ¹
C10	350 V8 CARB - w/o 2qt. Spin On	E-1450	HP-3002 ¹	Malibu	350 V8 CARB	E-1500	HP-2002 ¹
C10	350 V8 DSL	E-1690	HP-2006 ¹	Monte Carlo	305 V8 CARB	E-1500	HP-2002 ¹
C10	454 V8 CARB	E-1500		1978 CHEVROLET			
C10	454 V8 CARB - 2qt. Spin On	E-1500	HP-6002 ¹	C10	250 L6 CARB - w/Power Brakes	E-1120	
C10	454 V8 CARB - w/o 2qt. Spin On	E-1500	HP-3002 ¹	C10	305 V8 CARB	E-1450	HP-3002 ¹
C10 Suburban	250 L6 CARB		HP-2002 ¹	C10	350 V8 CARB	E-1450	
C10 Suburban	305 V8 CARB	E-1150	HP-3002 ¹	C10	350 V8 CARB - 2qt. Spin On	E-1450	HP-6002 ¹
C10 Suburban	350 V8 CARB	E-1450		C10	350 V8 CARB - w/o 2qt. Spin On	E-1450	HP-3002 ¹
C10 Suburban	350 V8 CARB - 2qt. Spin On	E-1450	HP-6002 ¹	C10	350 V8 DSL	E-1690	HP-2003 ¹
C10 Suburban	350 V8 CARB - w/o 2qt. Spin On	E-1450	HP-3002 ¹	C10	454 V8 CARB	E-1500	
C10 Suburban	350 V8 DSL	E-1690	HP-2006 ¹	C10	454 V8 CARB - 2qt. Spin On	E-1500	HP-6002 ¹
C10 Suburban	454 V8 CARB	E-1500		C10	454 V8 CARB - w/o 2qt. Spin On	E-1500	HP-3002 ¹
C10 Suburban	454 V8 CARB - 2qt. Spin On	E-1500	HP-6002 ¹	C10 Suburban	250 L6 CARB - w/3 inch Tall Filter	E-1120	
C10 Suburban	454 V8 CARB - w/o 2qt. Spin On	E-1500	HP-3002 ¹	C10 Suburban	305 V8 CARB	E-1450	HP-3002 ¹
C20	350 V8 CARB	E-1450		C10 Suburban	350 V8 CARB	E-1500	
C20	350 V8 CARB - 2qt. Spin On	E-1450	HP-6002 ¹	C10 Suburban	350 V8 CARB - 2qt. Spin On	E-1500	HP-6002 ¹
C20	350 V8 CARB - w/o 2qt. Spin On	E-1450	HP-3002 ¹	C10 Suburban	350 V8 CARB - w/o 2qt. Spin On	E-1500	HP-3002 ¹
C20 Suburban	350 V8 CARB	E-1450		C10 Suburban	350 V8 DSL	E-1690	HP-2003 ¹
C20 Suburban	350 V8 CARB - 2qt. Spin On	E-1450	HP-6002 ¹	C10 Suburban	454 V8 CARB	E-1500	
C20 Suburban	350 V8 CARB - w/o 2qt. Spin On	E-1450	HP-3002 ¹	C10 Suburban	454 V8 CARB - 2qt. Spin On	E-1500	HP-6002 ¹
C30 Truck	350 V8 CARB	E-1450		C10 Suburban	454 V8 CARB - w/o 2qt. Spin On	E-1500	HP-3002 ¹
C30 Truck	350 V8 CARB - 2qt. Spin On	E-1450	HP-6002 ¹	C20	350 V8 CARB	E-1450	
C30 Truck	350 V8 CARB - w/o 2qt. Spin On	E-1450	HP-3002 ¹	C20	350 V8 CARB - 2qt. Spin On	E-1450	HP-6002 ¹
C30 Truck	454 V8 CARB	E-1500		C20	350 V8 CARB - w/o 2qt. Spin On	E-1450	HP-3002 ¹
C30 Truck	454 V8 CARB - w/o 2qt. Spin On	E-1500	HP-3002 ¹	C20 Suburban	350 V8 CARB	E-1450	
Camaro	305 V8 CARB	E-1070	HP-2002 ¹	C20 Suburban	350 V8 CARB - 2qt. Spin On	E-1450	HP-6002 ¹
Camaro	350 V8 CARB	E-1500	HP-2002 ¹	C20 Suburban	350 V8 CARB - w/o 2qt. Spin On	E-1450	HP-3002 ¹
Caprice	350 V8 CARB	E-1500		C20 Suburban	454 V8 CARB	E-1500	
Corvette	350 V8 CARB	E-1500	HP-2002 ¹	C20 Suburban	454 V8 CARB - w/o 2qt. Spin On	E-1500	HP-3002 ¹
El Camino	305 V8 CARB	E-1500	HP-2002 ¹	C30 Truck	350 V8 DSL	E-1690	HP-2003 ¹
El Camino	350 V8 CARB	E-1500	HP-2002 ¹	C30 Truck	454 V8 CARB	E-1500	
G20 Van	350 V8 CARB - w/o 2qt. Spin On		HP-3002 ¹				
Impala	350 V8 CARB		HP-2002 ¹				

* 2 filters required ♦ Intake System Available - see page 81 +Cabin Air Filter Available - see page 453 1- Pro Series Filter Available

AIR & OIL FILTERS

CHEVROLET

Vehicle	Engine Type	Air Filter	Oil Filter
1978 CHEVROLET			
C30 Truck	454 V8 CARB - w/o 2qt. Spin On	E-1500	HP-3002 ¹
Camaro	305 V8 CARB	E-1450	HP-2002 ¹
Camaro	350 V8 CARB	E-1500	HP-2002 ¹
Caprice	350 V8 CARB	E-1500	
Chevette	98 L4 CARB		HP-1001 ¹
Corvette	350 V8 CARB	E-1500	HP-2002 ¹
El Camino	350 V8 CARB	E-1500	HP-2002 ¹
K5 Blazer	350 V8 CARB	E-1500	
K5 Blazer	350 V8 CARB - w/o 2qt. Spin On	E-1500	HP-3002 ¹
K10	350 V8 CARB	E-1450	
K10	350 V8 CARB - 2qt. Spin On	E-1450	HP-6002 ¹
K10	350 V8 CARB - w/o 2qt. Spin On	E-1450	HP-3002 ¹
K10 Suburban	350 V8 CARB	E-1450	
K10 Suburban	350 V8 CARB - 2qt. Spin On	E-1450	HP-6002 ¹
K10 Suburban	350 V8 CARB - w/o 2qt. Spin On	E-1450	HP-3002 ¹
K20	350 V8 CARB	E-1450	
K20	350 V8 CARB - 2qt. Spin On	E-1450	HP-6002 ¹
K20	350 V8 CARB - w/o 2qt. Spin On	E-1450	HP-3002 ¹
K20	454 V8 CARB	E-1500	
K20	454 V8 CARB - w/o 2qt. Spin On	E-1500	HP-3002 ¹
K20 Suburban	350 V8 CARB	E-1450	
K20 Suburban	350 V8 CARB - 2qt. Spin On	E-1450	HP-6002 ¹
K20 Suburban	350 V8 CARB - w/o 2qt. Spin On	E-1450	HP-3002 ¹
Malibu	350 V8 CARB	E-1500	HP-2002 ¹
Monte Carlo	305 V8 CARB	E-1450	HP-2002 ¹
Nova	250 L6 CARB	E-1070	HP-2002 ¹
Nova	350 V8 CARB	E-1500	HP-2002 ¹

1977 CHEVROLET			
C10	350 V8 CARB	E-1500	
C10	350 V8 CARB - 2qt. Spin On	E-1500	HP-6002 ¹
C10	350 V8 CARB - w/o 2qt. Spin On	E-1500	HP-3002 ¹
C10	454 V8 CARB	E-1500	
C10	454 V8 CARB - 2qt. Spin On	E-1500	HP-6002 ¹
C10	454 V8 CARB - w/o 2qt. Spin On	E-1500	HP-3002 ¹
C10 Suburban	350 V8 CARB	E-1500	
C10 Suburban	350 V8 CARB - 2qt. Spin On	E-1500	HP-6002 ¹
C10 Suburban	350 V8 CARB - w/o 2qt. Spin On	E-1500	HP-3002 ¹
C10 Suburban	454 V8 CARB	E-1500	
C10 Suburban	454 V8 CARB - 2qt. Spin On	E-1500	HP-6002 ¹
C10 Suburban	454 V8 CARB - w/o 2qt. Spin On	E-1500	HP-3002 ¹
C20	350 V8 CARB	E-1500	
C20	350 V8 CARB - 2qt. Spin On	E-1500	HP-6002 ¹
C20	350 V8 CARB - w/o 2qt. Spin On	E-1500	HP-3002 ¹
C20	454 V8 CARB	E-1500	
C20	454 V8 CARB - w/o 2qt. Spin On	E-1500	HP-3002 ¹
C20 Suburban	350 V8 CARB	E-1500	
C20 Suburban	350 V8 CARB - 2qt. Spin On	E-1500	HP-6002 ¹
C20 Suburban	350 V8 CARB - w/o 2qt. Spin On	E-1500	HP-3002 ¹

Vehicle	Engine Type	Air Filter	Oil Filter
1977 CHEVROLET			
C20 Suburban	454 V8 CARB	E-1500	
C20 Suburban	454 V8 CARB - w/o 2qt. Spin On	E-1500	HP-3002 ¹
C30 Truck	350 V8 CARB	E-1500	
C30 Truck	350 V8 CARB - w/o 2qt. Spin On	E-1500	HP-3002 ¹
Camaro	305 V8 CARB		HP-2002 ¹
Camaro	350 V8 CARB	E-1500	HP-2002 ¹
Corvette	350 V8 CARB	E-1500	HP-2002 ¹
El Camino	350 V8 CARB	E-1500	HP-3002 ¹
Impala	350 V8 CARB	E-1500	HP-2002 ¹
K5 Blazer	350 V8 CARB	E-1500	
K5 Blazer	350 V8 CARB - w/o 2qt. Spin On	E-1500	HP-3002 ¹
K10	350 V8 CARB	E-1500	
K10	350 V8 CARB - 2qt. Spin On	E-1500	HP-6002 ¹
K10	350 V8 CARB - w/o 2qt. Spin On	E-1500	HP-3002 ¹
K10 Suburban	350 V8 CARB	E-1500	
K10 Suburban	350 V8 CARB - 2qt. Spin On	E-1500	HP-6002 ¹
K10 Suburban	350 V8 CARB - w/o 2qt. Spin On	E-1500	HP-3002 ¹
K20	350 V8 CARB	E-1500	
K20	350 V8 CARB - w/o 2qt. Spin On	E-1500	HP-3002 ¹
K20 Suburban	350 V8 CARB	E-1500	
K20 Suburban	350 V8 CARB - w/o 2qt. Spin On	E-1500	HP-3002 ¹
Monte Carlo	350 V8 CARB	E-1500	HP-2002 ¹
Nova	305 V8 CARB		HP-2002 ¹
Nova	350 V8 CARB	E-1500	HP-2002 ¹
P30	350 V8 CARB - 1/4 inch taller than stock	E-3679	

1976 CHEVROLET			
C10	305 V8 CARB		HP-3002 ¹
C10	350 V8 CARB	E-1500	
C10	350 V8 CARB - 2qt. Spin On	E-1500	HP-6002 ¹
C10	350 V8 CARB - w/o 2qt. Spin On	E-1500	HP-3002 ¹
C10 Suburban	305 V8 CARB		HP-3002 ¹
C10 Suburban	350 V8 CARB	E-1500	
C10 Suburban	350 V8 CARB - 2qt. Spin On	E-1500	HP-6002 ¹
C10 Suburban	350 V8 CARB - w/o 2qt. Spin On	E-1500	HP-3002 ¹
C10 Suburban	454 V8 CARB	E-1500	
C10 Suburban	454 V8 CARB - w/o 2qt. Spin On	E-1500	HP-3002 ¹
C20	350 V8 CARB	E-1500	
C20	350 V8 CARB - 2qt. Spin On	E-1500	HP-6002 ¹
C20	350 V8 CARB - w/o 2qt. Spin On	E-1500	HP-3002 ¹
C20 Suburban	350 V8 CARB	E-1500	
C20 Suburban	350 V8 CARB - 2qt. Spin On	E-1500	HP-6002 ¹
C20 Suburban	350 V8 CARB - w/o 2qt. Spin On	E-1500	HP-3002 ¹
C20 Suburban	454 V8 CARB	E-1500	
C20 Suburban	454 V8 CARB - w/o 2qt. Spin On	E-1500	HP-3002 ¹
C30 Truck	454 V8 CARB	E-1500	
C30 Truck	454 V8 CARB - 2qt. Spin On	E-1500	HP-6002 ¹
C30 Truck	454 V8 CARB - w/o 2qt. Spin On	E-1500	HP-3002 ¹
Camaro	305 V8 CARB		HP-2002 ¹
Camaro	350 V8 CARB	E-1500	HP-2002 ¹
Caprice	350 V8 CARB	E-1500	

* 2 filters required ♦ Intake System Available - see page 81 +Cabin Air Filter Available - see page 453 1- Pro Series Filter Available

CHEVROLET

AIR & OIL FILTERS

Vehicle	Engine Type	Air Filter	Oil Filter	Vehicle	Engine Type	Air Filter	Oil Filter
1976 CHEVROLET				1975 CHEVROLET			
Corvette	350 V8 CARB	E-1500	HP-2002 ¹	El Camino	350 V8 2 BBL.	E-1500	HP-3002 ¹
El Camino	350 V8 CARB	E-1500	HP-3002 ¹	El Camino	350 V8 4 BBL.	E-1500	HP-3002 ¹
K5 Blazer	350 V8 CARB	E-1500		Impala	350 V8 2 BBL.	E-1500	HP-2002 ¹
K5 Blazer	350 V8 CARB - w/o 2qt. Spin On	E-1500	HP-3002 ¹	Impala	350 V8 4 BBL.	E-1500	HP-2002 ¹
K10	350 V8 CARB	E-1500		K5 Blazer	350 V8 2 BBL.	E-1450	
K10	350 V8 CARB - 2qt. Spin On	E-1500	HP-6002 ¹	K5 Blazer	350 V8 2 BBL. - w/o 2qt. Spin On	E-1450	HP-3002 ¹
K10	350 V8 CARB - w/o 2qt. Spin On	E-1500	HP-3002 ¹	K5 Blazer	350 V8 4 BBL.	E-1500	
K10 Suburban	350 V8 CARB	E-1500		K5 Blazer	350 V8 4 BBL. - w/o 2qt. Spin On	E-1500	HP-3002 ¹
K10 Suburban	350 V8 CARB - 2qt. Spin On	E-1500	HP-6002 ¹	K10	350 V8 2 BBL.	E-1450	
K10 Suburban	350 V8 CARB - w/o 2qt. Spin On	E-1500	HP-3002 ¹	K10	350 V8 2 BBL. - 2qt. Spin On	E-1450	HP-6002 ¹
K20	350 V8 CARB	E-1500		K10	350 V8 2 BBL. - w/o 2qt. Spin On	E-1450	HP-3002 ¹
K20	350 V8 CARB - 2qt. Spin On	E-1500	HP-6002 ¹	K10	350 V8 4 BBL.	E-1500	
K20	350 V8 CARB - w/o 2qt. Spin On	E-1500	HP-3002 ¹	K10	350 V8 4 BBL. - 2qt. Spin On	E-1500	HP-6002 ¹
K20 Suburban	350 V8 CARB	E-1500		K10	350 V8 4 BBL. - w/o 2qt. Spin On	E-1500	HP-3002 ¹
K20 Suburban	350 V8 CARB - 2qt. Spin On	E-1500	HP-6002 ¹	K10 Suburban	350 V8 2 BBL.	E-1450	
K20 Suburban	350 V8 CARB - w/o 2qt. Spin On	E-1500	HP-3002 ¹	K10 Suburban	350 V8 2 BBL. - 2qt. Spin On	E-1450	HP-6002 ¹
Monte Carlo	350 V8 CARB	E-1500	HP-2002 ¹	K10 Suburban	350 V8 2 BBL. - w/o 2qt. Spin On	E-1450	HP-3002 ¹
Nova	350 V8 CARB	E-1500	HP-2002 ¹	K10 Suburban	350 V8 4 BBL.	E-1500	
1975 CHEVROLET				K10 Suburban	350 V8 4 BBL. - 2qt. Spin On	E-1500	HP-6002 ¹
C10	350 V8 2 BBL.	E-1450		K10 Suburban	350 V8 4 BBL. - w/o 2qt. Spin On	E-1500	HP-3002 ¹
C10	350 V8 2 BBL. - 2qt. Spin On	E-1450	HP-6002 ¹	K20	350 V8 2 BBL.	E-1450	
C10	350 V8 2 BBL. - w/o 2qt. Spin On	E-1450	HP-3002 ¹	K20	350 V8 2 BBL. - 2qt. Spin On	E-1450	HP-6002 ¹
C10	350 V8 4 BBL.	E-1500		K20	350 V8 2 BBL. - w/o 2qt. Spin On	E-1450	HP-3002 ¹
C10	350 V8 4 BBL. - 2qt. Spin On	E-1500	HP-6002 ¹	K20	350 V8 4 BBL.	E-1500	
C10	350 V8 4 BBL. - w/o 2qt. Spin On	E-1500	HP-3002 ¹	K20	350 V8 4 BBL. - 2qt. Spin On	E-1500	HP-6002 ¹
C10	454 V8 CARB	E-1500		K20	350 V8 4 BBL. - w/o 2qt. Spin On	E-1500	HP-3002 ¹
C10	454 V8 CARB - w/o 2qt. Spin On	E-1500	HP-3002 ¹	K20	400 V8 CARB		HP-3002 ¹
C10 Suburban	350 V8 2 BBL.	E-1450		K20 Suburban	350 V8 2 BBL.	E-1450	
C10 Suburban	350 V8 2 BBL. - 2qt. Spin On	E-1450	HP-6002 ¹	K20 Suburban	350 V8 2 BBL. - w/o 2qt. Spin On	E-1450	HP-3002 ¹
C10 Suburban	350 V8 2 BBL. - w/o 2qt. Spin On	E-1450	HP-3002 ¹	K20 Suburban	350 V8 4 BBL.	E-1500	
C10 Suburban	350 V8 4 BBL.	E-1500		K20 Suburban	350 V8 4 BBL. - w/o 2qt. Spin On	E-1500	HP-3002 ¹
C10 Suburban	350 V8 4 BBL. - 2qt. Spin On	E-1500	HP-6002 ¹	K20 Suburban	400 V8 CARB	E-1500	HP-3002 ¹
C10 Suburban	350 V8 4 BBL. - w/o 2qt. Spin On	E-1500	HP-3002 ¹	Monte Carlo	350 V8 2 BBL.	E-1500	HP-2002 ¹
C10 Suburban	454 V8 CARB	E-1500		Monte Carlo	350 V8 4 BBL.	E-1500	HP-2002 ¹
C10 Suburban	454 V8 CARB - w/o 2qt. Spin On	E-1500	HP-3002 ¹	Nova	350 V8 2 BBL.	E-1450	HP-2002 ¹
C20	350 V8 2 BBL. - w/o 2qt. Spin On		HP-3002 ¹	Nova	350 V8 4 BBL.	E-1500	HP-2002 ¹
C20	350 V8 4 BBL.	E-1500		1974 CHEVROLET			
C20	350 V8 4 BBL. - w/o 2qt. Spin On	E-1500	HP-3002 ¹	Blazer	350 V8 2 BBL.	E-1450	
C20 Suburban	350 V8 2 BBL. - w/o 2qt. Spin On		HP-3002 ¹	Blazer	350 V8 2 BBL. - w/o 2qt. Spin On	E-1450	HP-3002 ¹
C20 Suburban	350 V8 4 BBL.	E-1500		Blazer	350 V8 4 BBL.	E-1150	
C20 Suburban	350 V8 4 BBL. - w/o 2qt. Spin On	E-1500	HP-3002 ¹	Blazer	350 V8 4 BBL. - w/o 2qt. Spin On	E-1150	HP-3002 ¹
C20 Suburban	454 V8 CARB	E-1500		C10 Pickup	350 V8 2 BBL.	E-1450	
C20 Suburban	454 V8 CARB - w/o 2qt. Spin On	E-1500	HP-3002 ¹	C10 Pickup	350 V8 2 BBL. - 2qt. Spin On	E-1450	HP-6002 ¹
C30 Truck	454 V8 CARB	E-1500		C10 Pickup	350 V8 2 BBL. - w/o 2qt. Spin On	E-1450	HP-3002 ¹
C30 Truck	454 V8 CARB - w/o 2qt. Spin On	E-1500	HP-3002 ¹	C10 Pickup	350 V8 4 BBL.	E-1500	
Camaro	350 V8 2 BBL.	E-1450	HP-2002 ¹	C10 Pickup	350 V8 4 BBL. - 2qt. Spin On	E-1500	HP-6002 ¹
Camaro	350 V8 4 BBL.	E-1500	HP-2002 ¹	C10 Pickup	350 V8 4 BBL. - w/o 2qt. Spin On	E-1500	HP-3002 ¹
Corvette	350 V8 CARB	E-1500	HP-2002 ¹	C10 Pickup	454 V8 CARB	E-1500	
				C10 Pickup	454 V8 CARB - 2qt. Spin On	E-1500	HP-6002 ¹

* 2 filters required ♦ Intake System Available - see page 81 +Cabin Air Filter Available - see page 453 1- Pro Series Filter Available

AIR & OIL FILTERS

CHEVROLET

Vehicle	Engine Type	Air Filter	Oil Filter
1974 CHEVROLET			
C10 Pickup	454 V8 CARB - w/o 2qt. Spin On	E-1500	HP-3002 ¹
C20 Pickup	454 V8 CARB	E-1500	
C20 Pickup	454 V8 CARB - w/o 2qt. Spin On	E-1500	HP-3002 ¹
Camaro	350 V8 CARB	E-1450	HP-2002 ¹
Camaro Z28	350 V8 CARB	E-1650	HP-2002 ¹
Corvette	350 V8 CARB	E-1500	HP-2002 ¹
Corvette	454 V8 CARB	E-1500	HP-2002 ¹
Impala	350 V8 CARB	E-1500	HP-2002 ¹
K10 Pickup	350 V8 2 BBL. - w/o 2qt. Spin On		HP-3002 ¹
K10 Pickup	350 V8 4 BBL.	E-1500	
K10 Pickup	350 V8 4 BBL. - w/o 2qt. Spin On	E-1500	HP-3002 ¹
K20 Pickup	350 V8 2 BBL. - w/o 2qt. Spin On		HP-3002 ¹
K20 Pickup	350 V8 4 BBL.	E-1500	
K20 Pickup	350 V8 4 BBL. - w/o 2qt. Spin On	E-1500	HP-3002 ¹
Laguna	350 V8 CARB	E-1500	
Malibu	350 V8 CARB	E-1500	
Monte Carlo	350 V8 CARB	E-1500	HP-2002 ¹
Monte Carlo	400 V8 CARB	E-1500	HP-2002 ¹
Nova	350 V8 CARB	E-1450	HP-2002 ¹

1973 CHEVROLET			
Blazer	350 V8 CARB	E-1450	HP-3002 ¹
C10 Pickup	350 V8 CARB	E-1500	HP-3002 ¹
C10 Pickup	454 V8 CARB	E-1500	HP-3002 ¹
C20 Pickup	350 V8 CARB	E-1500	HP-3002 ¹
Camaro	350 V8 CARB		HP-2002 ¹
Camaro	350 V8 CARB - Exc. Z28	E-1450	HP-2002
Camaro	350 V8 CARB - Z28	E-1650	HP-2002
Caprice	400 V8 CARB	E-1500	HP-2002 ¹
Chevelle	350 V8 CARB	E-1500	HP-2002 ¹
Chevelle	454 V8 CARB	E-1500	HP-2002 ¹
Corvette	350 V8 CARB		HP-2002 ¹
Corvette	350 V8 CARB - Exc. Hi Perf.	E-1450	HP-2002
Corvette	350 V8 CARB - Hi Perf.	E-1650	HP-2002
Corvette	454 V8 CARB	E-1450	HP-2002 ¹
El Camino	350 V8 CARB	E-1500	HP-3002 ¹
Impala	350 V8 CARB	E-1500	HP-2002 ¹
K20 Pickup	350 V8 CARB	E-1500	HP-3002 ¹
Malibu	350 V8 CARB	E-1500	HP-2002 ¹
Nova	307 V8 CARB		HP-2002 ¹
Nova	350 V8 CARB	E-1450	HP-2002 ¹

1972 CHEVROLET			
Biscayne	400 V8 CARB	E-1500	HP-2002 ¹
Blazer	350 V8 CARB	E-1450	HP-3002 ¹
Brookwood	400 V8 CARB	E-1500	
C10 Pickup	307 V8 CARB	E-1150	HP-3002 ¹
C10 Pickup	350 V8 2 BBL.		HP-3002 ¹
C10 Pickup	350 V8 2 BBL. - VIN H	E-1450	HP-3002
C10 Pickup	350 V8 4 BBL.	E-1500	HP-3002 ¹
C10 Pickup	402 V8 CARB	E-1450	HP-3002 ¹
C20 Pickup	350 V8 CARB	E-1500	HP-3002 ¹
Camaro	350 V8 CARB	E-1450	HP-2002 ¹
Camaro	402 V8 CARB	E-1450	HP-2002 ¹
Camaro Z28	350 V8 CARB	E-1650	HP-2002 ¹
Chevelle	350 V8 CARB	E-1500	HP-2002 ¹
Chevelle	400 V8 CARB		HP-2002 ¹
Chevelle	400 V8 CARB - w/ A/C	E-1450	HP-2002
Chevelle	400 V8 CARB - w/o A/C	E-1500	HP-2002
Chevelle	402 V8 CARB		HP-2002 ¹

Vehicle	Engine Type	Air Filter	Oil Filter
1972 CHEVROLET			
Chevelle	402 V8 CARB - w/ A/C	E-1450	HP-2002
Chevelle	402 V8 CARB - w/o A/C	E-1500	HP-2002
Chevelle	454 V8 CARB		HP-2002 ¹
Chevelle	454 V8 CARB - w/hood scoop	E-1650	HP-2002
Chevelle	454 V8 CARB - w/o hood scoop	E-1450	HP-2002
Corvette	350 V8 CARB		HP-2002 ¹
Corvette	350 V8 CARB - w/ Rochester Carb.	E-1450	HP-2002
Corvette	350 V8 CARB - w/Holley Carb.	E-1650	HP-2002
Corvette	454 V8 CARB	E-1450	HP-2002 ¹
El Camino	350 V8 CARB	E-1500	HP-3002 ¹
El Camino	402 V8 CARB	E-1450	HP-3002 ¹
El Camino	454 V8 CARB		HP-3002 ¹
Impala	350 V8 CARB	E-1500	HP-2002 ¹
K10 Pickup	350 V8 CARB	E-1500	HP-3002 ¹
K20 Pickup	350 V8 CARB	E-1500	HP-3002 ¹
Monte Carlo	350 V8 CARB	E-1500	HP-2002 ¹
Monte Carlo	454 V8 CARB		HP-2002 ¹
Monte Carlo	454 V8 CARB - w/hood scoop	E-1650	HP-2002
Monte Carlo	454 V8 CARB - w/o hood scoop	E-1500	HP-2002
Nova	350 V8 CARB	E-1450	HP-2002 ¹

1971 CHEVROLET			
Bel Air	400 V8 CARB	E-1500	HP-2002 ¹
Biscayne	400 V8 CARB	E-1500	HP-2002 ¹
Blazer	350 V8 CARB	E-1450	HP-3002 ¹
C10 Pickup	292 L6 CARB	E-1120	
C10 Pickup	307 V8 CARB	E-1150	HP-3002 ¹
C10 Pickup	350 V8 CARB	E-1450	HP-3002 ¹
C10 Pickup	402 V8 CARB	E-1450	HP-3002 ¹
C20 Pickup	350 V8 CARB	E-1450	HP-3002 ¹
Camaro	350 V8 CARB		HP-2002 ¹
Camaro	350 V8 CARB - Exc. Z28	E-1450	HP-2002
Camaro	350 V8 CARB - Z28	E-1650	HP-2002
Camaro	402 V8 CARB	E-1450	HP-2002 ¹
Caprice	400 V8 CARB	E-1500	HP-2002 ¹
Chevelle	307 V8 CARB	E-1070	HP-2002 ¹
Chevelle	350 V8 CARB	E-1500	HP-2002 ¹
Chevelle	400 V8 CARB	E-1500	HP-2002 ¹
Chevelle	402 V8 CARB	E-1500	
Chevelle	454 V8 CARB	E-1650	HP-2002 ¹
Chevelle SS	454 V8 CARB		HP-2002 ¹
Chevelle SS	454 V8 CARB - w/o A/C	E-1450	HP-2002
Corvette	350 V8 CARB		HP-2002 ¹
Corvette	350 V8 CARB - w/ Rochester Carb.	E-1450	HP-2002
Corvette	350 V8 CARB - w/Holley Carb.	E-1650	HP-2002
Corvette	454 V8 CARB		HP-2002 ¹
Corvette	454 V8 CARB - w/ Rochester Carb.	E-1450	HP-2002
Corvette	454 V8 CARB - w/Holley Carb.	E-1650	HP-2002
El Camino	350 V8 CARB	E-1500	HP-3002 ¹
El Camino	400 V8 CARB	E-1500	HP-3002 ¹
El Camino	454 V8 CARB		HP-3002 ¹
El Camino	454 V8 CARB - Hi Perf.	E-1650	HP-3002
Impala	400 V8 CARB	E-1500	HP-2002 ¹
Monte Carlo	350 V8 CARB	E-1500	HP-2002 ¹
Monte Carlo	400 V8 CARB	E-1500	
Nova	350 V8 CARB	E-1450	HP-2002 ¹

* 2 filters required ♦ Intake System Available - see page 81 +Cabin Air Filter Available - see page 453 1- Pro Series Filter Available

CHEVROLET

AIR & OIL FILTERS

Vehicle	Engine Type	Air Filter	Oil Filter	Vehicle	Engine Type	Air Filter	Oil Filter
1970 CHEVROLET				1969 CHEVROLET			
Bel Air	402 V8 CARB	E-1500	HP-2002 ¹	Corvette	427 V8 3x2BBL.	E-1970	HP-2002 ¹
Biscayne	402 V8 CARB	E-1500	HP-2002 ¹	Corvette	427 V8 4 BBL.	E-1650	HP-2002 ¹
Brookwood	402 V8 CARB	E-1500		El Camino	350 V8 CARB	E-1500	HP-2002 ¹
C10 Pickup	250 L6 CARB	E-1070	HP-2002 ¹	El Camino	396 V8 CARB	E-1450	HP-2002 ¹
C10 Pickup	307 V8 CARB	E-1150	HP-3002 ¹	Impala	350 V8 CARB	E-1500	HP-2002 ¹
C10 Pickup	350 V8 CARB	E-1450	HP-3002 ¹	Nova	350 V8 CARB		HP-2002 ¹
C10 Pickup	402 V8 CARB	E-1450	HP-3002 ¹	Nova	350 V8 CARB - Exc. Hi Perf.	E-1500	HP-2002
C20 Pickup	350 V8 CARB	E-1450	HP-3002 ¹	Nova	350 V8 CARB - Hi Perf.	E-1650	HP-2002
Camaro	350 V8 CARB	E-1450	HP-2002 ¹	Nova	396 V8 CARB		HP-2002 ¹
Camaro	396 V8 CARB	E-1650	HP-2002 ¹	Nova	396 V8 CARB - Exc. Hi Perf.	E-1450	HP-2002
Camaro	402 V8 CARB	E-1650	HP-2002 ¹	Nova	396 V8 CARB - Hi Perf.	E-1650	HP-2002
Caprice	400 V8 CARB	E-1500		1968 CHEVROLET			
Caprice	402 V8 CARB	E-1500	HP-2002 ¹	C10 Pickup	250 L6 CARB	E-1070	HP-2002 ¹
Caprice	454 V8 CARB	E-1500		C10 Pickup	307 V8 CARB	E-1150	
Chevelle	307 V8 CARB	E-1070	HP-2002 ¹	C10 Pickup	307 V8 CARB - Exc. Cart. Type	E-1150	HP-3002 ¹
Chevelle	350 V8 CARB	E-1500	HP-2002 ¹	C10 Pickup	327 V8 CARB	E-1450	
Chevelle	396 V8 CARB	E-1650	HP-2002 ¹	C10 Pickup	396 V8 CARB		HP-2002 ¹
Chevelle	400 V8 CARB	E-1500	HP-2002 ¹	C10 Pickup	396 V8 CARB - Exc. Hi Perf.	E-1450	HP-2002
		E-1650	HP-2002 ¹	C10 Pickup	396 V8 CARB - Hi Perf.	E-1650	HP-2002
Chevelle	402 V8 CARB	E-1650	HP-2002 ¹	Camaro	302 V8 CARB	E-1650	HP-2002 ¹
Chevelle	454 V8 CARB	E-1650	HP-2002 ¹	Camaro	327 V8 2 BBL.	E-1070	HP-2002 ¹
Corvette	350 V8 CARB		HP-2002 ¹	Camaro	327 V8 4 BBL.		HP-2002 ¹
Corvette	350 V8 CARB - High Output	E-1650	HP-2002	Camaro	327 V8 4 BBL. - Exc. Hi Perf.	E-1500	HP-2002
Corvette	350 V8 CARB - w/o High Output	E-1450	HP-2002	Camaro	327 V8 4 BBL. - Hi Perf.	E-1650	HP-2002
Corvette	454 V8 CARB	E-1650	HP-2002 ¹	Camaro	350 V8 CARB	E-1500	HP-2002 ¹
El Camino	350 V8 CARB	E-1500	HP-3002 ¹	Camaro	396 V8 CARB	E-1650	HP-2002 ¹
El Camino	402 V8 CARB	E-1500	HP-3002 ¹	Chevelle	307 V8 CARB		HP-2002 ¹
El Camino	454 V8 CARB	E-1650	HP-3002 ¹	Chevelle	327 V8 CARB		HP-2002 ¹
Impala	350 V8 CARB	E-1500	HP-2002 ¹	Chevelle	327 V8 CARB - Exc. Hi Perf.	E-1500	HP-2002
Impala	402 V8 CARB	E-1500	HP-2002 ¹	Chevelle	327 V8 CARB - Hi Perf.	E-1650	HP-2002
K10 Pickup	350 V8 CARB		HP-3002 ¹	Chevelle	396 V8 CARB		HP-2002 ¹
Kingswood	402 V8 CARB	E-1500		Chevelle	396 V8 CARB - Exc. Hi Perf.	E-1450	HP-2002
Monte Carlo	350 V8 CARB	E-1500	HP-2002 ¹	Chevelle	396 V8 CARB - Hi Perf.	E-1650	HP-2002
Monte Carlo	400 V8 CARB	E-1500	HP-2002 ¹	Chevelle Malibu	307 V8 CARB	E-1500	HP-2002 ¹
Monte Carlo	402 V8 CARB	E-1500	HP-2002 ¹	Chevy II	350 V8 CARB		HP-2002 ¹
Monte Carlo	454 V8 CARB	E-1500	HP-2002 ¹	Chevy II	350 V8 CARB - Exc. Hi Perf.	E-1500	HP-2002
Nova	350 V8 CARB	E-1450	HP-1011 ¹	Chevy II	350 V8 CARB - Hi Perf.	E-1650	HP-2002
Nova	396 V8 CARB	E-1650	HP-1011 ¹	Chevy II	396 V8 CARB		HP-2002 ¹
Nova	402 V8 CARB	E-1650	HP-1011 ¹	Chevy II	396 V8 CARB - Hi Perf.	E-1650	HP-2002
Townsmen	402 V8 CARB	E-1500		Corvette	327 V8 CARB	E-1650	HP-2002 ¹
1969 CHEVROLET				Corvette	427 V8 3x2BBL.	E-1970	HP-2002 ¹
C10 Pickup	250 L6 CARB		HP-2002 ¹	Corvette	427 V8 4 BBL.	E-1650	HP-2002 ¹
C10 Pickup	307 V8 CARB	E-1150	HP-3002 ¹	El Camino	350 V8 CARB	E-1500	HP-2002 ¹
C10 Pickup	350 V8 CARB	E-1450	HP-2002 ¹	El Camino	396 V8 CARB	E-1450	HP-2002 ¹
C10 Pickup	396 V8 CARB		HP-2002 ¹	Impala	350 V8 CARB	E-1500	HP-2002 ¹
C10 Pickup	396 V8 CARB - Exc. Hi Perf.	E-1450	HP-2002	Impala	402 V8 CARB	E-1500	HP-2002 ¹
C10 Pickup	396 V8 CARB - Hi Perf.	E-1650	HP-2002	K10 Pickup	350 V8 CARB		HP-3002 ¹
C20 Pickup	350 V8 CARB	E-1450		Kingswood	402 V8 CARB	E-1500	
C20 Pickup	396 V8 CARB - Hi Perf.	E-1650		Monte Carlo	350 V8 CARB	E-1500	HP-2002 ¹
Camaro	302 V8 CARB	E-1650	HP-2002 ¹	Monte Carlo	400 V8 CARB	E-1500	HP-2002 ¹
Camaro	307 V8 CARB	E-1070	HP-2002 ¹	Monte Carlo	402 V8 CARB	E-1500	HP-2002 ¹
Camaro	327 V8 CARB	E-1070	HP-2002 ¹	Monte Carlo	454 V8 CARB	E-1500	HP-2002 ¹
Camaro	350 V8 2 BBL.	E-1450	HP-2002 ¹	Nova	350 V8 CARB	E-1450	HP-1011 ¹
Camaro	350 V8 4 BBL.	E-1500	HP-2002 ¹	Nova	396 V8 CARB	E-1650	HP-1011 ¹
Camaro	396 V8 CARB	E-1650	HP-2002 ¹	Nova	402 V8 CARB	E-1650	HP-1011 ¹
Camaro	427 V8 CARB	E-1650		Townsmen	402 V8 CARB	E-1500	
Caprice	427 V8 CARB - Hi Perf.	E-1650		1967 CHEVROLET			
Chevelle	307 V8 CARB		HP-2002 ¹	Bel Air	327 V8 CARB	E-1650	
Chevelle	350 V8 CARB	E-1500	HP-2002 ¹	C10 Pickup	250 L6 CARB		HP-2002 ¹
Chevelle	396 V8 CARB	E-1450	HP-2002 ¹	C10 Pickup	250 L6 CARB - Heavy Duty Filter	E-1150	HP-2002
Chevelle Malibu	307 V8 CARB	E-1500	HP-2002 ¹	C10 Pickup	250 L6 CARB - w/Std. Filter	E-1070	HP-2002
Corvette	350 V8 CARB	E-1650	HP-2002 ¹	C10 Pickup	327 V8 CARB	E-1230	
				Camaro	302 V8 CARB	E-1650	
				Camaro	327 V8 2 BBL.	E-1070	
				Camaro	327 V8 2 BBL. - Exc. Cart. Type	E-1070	HP-2002 ¹
				Camaro	327 V8 4 BBL.	E-1650	

* 2 filters required ♦ Intake System Available - see page 81 +Cabin Air Filter Available - see page 453 1- Pro Series Filter Available

AIR & OIL FILTERS

CHEVROLET

Vehicle	Engine Type	Air Filter	Oil Filter
1967 CHEVROLET			
Camaro	327 V8 4 BBL. - Exc. Cart. Type	E-1650	HP-2002 ¹
Camaro	350 V8 CARB	E-1650	
Camaro	350 V8 CARB - Exc. Cart. Type	E-1650	HP-2002 ¹
Camaro	396 V8 CARB	E-1650	
Camaro	396 V8 CARB - Exc. Cart. Type	E-1650	HP-2002 ¹
Chevelle	283 V8 CARB	E-1230	
Chevelle	283 V8 CARB - Exc. Cart. Type	E-1230	HP-2002 ¹
Chevelle	327 V8 CARB	E-1650	
Chevelle	327 V8 CARB - Exc. Cart. Type	E-1650	HP-2002 ¹
Chevelle	396 V8 CARB	E-1650	
Chevelle	396 V8 CARB - Exc. Cart. Type	E-1650	HP-2002 ¹
Chevy II	327 V8 CARB	E-1230	
Chevy II	327 V8 CARB - Exc. Cart. Type	E-1230	HP-2002 ¹
Corvette	327 V8 CARB	E-1650	
Corvette	327 V8 CARB - Exc. Cart. Type	E-1650	HP-2002 ¹
Corvette	427 V8 3x2BBL.	E-1970	
Corvette	427 V8 3x2BBL. - Exc. Cart. Type	E-1970	HP-2002 ¹
Corvette	427 V8 4 BBL.	E-1650	
Corvette	427 V8 4 BBL. - Exc. Cart. Type	E-1650	HP-2002 ¹
El Camino	327 V8 CARB	E-1230	HP-2002 ¹
El Camino	396 V8 CARB	E-1650	
Impala	283 V8 CARB	E-1070	
Impala	283 V8 CARB - Exc. Cart. Type	E-1070	HP-2002 ¹
Impala	327 V8 CARB	E-1650	
Impala	327 V8 CARB - Exc. Cart. Type	E-1650	HP-2002 ¹
Impala	396 V8 CARB	E-1650	
Impala	427 V8 CARB	E-1650	
Nova	327 V8 CARB	E-1230	HP-2002 ¹

1966 CHEVROLET			
C10 Pickup	250 L6 CARB		HP-2002 ¹
C10 Pickup	250 L6 CARB - Heavy Duty Filter	E-1150	HP-2002
C10 Pickup	283 V8 CARB	E-1230	
C10 Pickup	327 V8 CARB	E-1230	
Caprice	327 V8 CARB	E-1650	
Caprice	396 V8 CARB	E-1650	
Chevelle	327 V8 CARB	E-1650	
Chevelle	327 V8 CARB - Exc. Cart. Type	E-1650	HP-2002 ¹
Chevelle	396 V8 CARB	E-1650	
Chevelle	396 V8 CARB - Exc. Cart. Type	E-1650	HP-2002 ¹
Chevy II	327 V8 CARB	E-1650	HP-2002 ¹
Corvair	164 H6 CARB - Exc. Turbo	E-1150	
Corvette	327 V8 CARB	E-1650	
Corvette	327 V8 CARB - Exc. Cart. Type	E-1650	HP-2002 ¹
Corvette	427 V8 CARB	E-1650	
Corvette	427 V8 CARB - Exc. Cart. Type	E-1650	HP-2002 ¹
El Camino	327 V8 CARB	E-1650	
El Camino	396 V8 CARB	E-1650	
Impala	283 V8 CARB - Exc. Cart. Type		HP-2002 ¹
Impala	327 V8 CARB	E-1650	
Impala	327 V8 CARB - Exc. Cart. Type	E-1650	HP-2002 ¹
Impala	396 V8 CARB	E-1650	

Vehicle	Engine Type	Air Filter	Oil Filter
1966 CHEVROLET			
Impala	396 V8 CARB - Exc. Cart. Type	E-1650	HP-2002 ¹
Impala	427 V8 CARB	E-1650	
Impala	427 V8 CARB - Exc. Cart. Type	E-1650	HP-2002 ¹
K10 Pickup	292 L6 CARB	E-1170	
Malibu	327 V8 CARB	E-1650	
Malibu	327 V8 CARB - Exc. Cart. Type	E-1650	HP-2002 ¹
Malibu	396 V8 CARB	E-1650	
Malibu	396 V8 CARB - Exc. Cart. Type	E-1650	HP-2002 ¹
Nova	327 V8 CARB	E-1230	HP-2002 ¹
1965 CHEVROLET			
C10 Pickup	283 V8 CARB	E-1230	
C10 Pickup	327 V8 CARB	E-1230	
Chevelle	327 V8 CARB	E-1230	
Chevelle	327 V8 CARB - Exc. Cart. Type	E-1230	HP-2002 ¹
Chevelle	396 V8 CARB	E-1650	
Chevelle	396 V8 CARB - Exc. Cart. Type	E-1650	HP-2002 ¹
Chevy II	327 V8 CARB	E-1230	HP-2002 ¹
Corvair	164 H6 CARB - w/ A/C	E-0900	
Corvair	164 H6 CARB - w/o A/C	E-1150	
Corvette	327 V8 CARB	E-1515	
Corvette	327 V8 CARB - Exc. Cart. Type	E-1515	HP-2002 ¹
Corvette	396 V8 CARB	E-1650	
Corvette	396 V8 CARB - Exc. Cart. Type	E-1650	HP-2002 ¹
El Camino	327 V8 CARB	E-1230	
Impala	283 V8 CARB	E-1230	
Impala	283 V8 CARB - Exc. Cart. Type	E-1230	HP-2002 ¹
Impala	327 V8 CARB	E-1650	
Impala	327 V8 CARB - Exc. Cart. Type	E-1650	HP-2002 ¹
Impala	396 V8 CARB	E-1650	
Impala	396 V8 CARB - Exc. Cart. Type	E-1650	HP-2002 ¹
Impala	409 V8 CARB - Exc. Cart. Type		HP-2002 ¹
Nova	327 V8 CARB	E-1230	

1964 CHEVROLET			
Chevelle	283 V8 CARB	E-1230	
Chevelle	283 V8 CARB - Exc. Cart. Type	E-1230	HP-2002 ¹
Chevelle	327 V8 CARB	E-1230	
Chevelle	327 V8 CARB - Exc. Cart. Type	E-1230	HP-2002 ¹
Chevy II	283 V8 CARB	E-1230	
Chevy II	283 V8 CARB - Exc. Cart. Type	E-1230	HP-2002 ¹
Corvair	164 H6 CARB	E-0900	
Corvette	327 V8 CARB	E-1515	
Corvette	327 V8 CARB - Exc. Cart. Type	E-1515	HP-2002 ¹
Corvette	5.3L V8 F/I - Exc. Cart. Type		HP-2002 ¹
El Camino	327 V8 CARB	E-1230	
Impala	283 V8 CARB	E-1230	
Impala	283 V8 CARB - Exc. Cart. Type	E-1230	HP-2002 ¹
Impala	327 V8 CARB	E-1230	
Impala	327 V8 CARB - Exc. Cart. Type	E-1230	HP-2002 ¹
Impala	409 V8 CARB	E-1230	
Impala	409 V8 CARB - Exc. Cart. Type	E-1230	HP-2002 ¹

* 2 filters required ♦ Intake System Available - see page 81 +Cabin Air Filter Available - see page 453 1- Pro Series Filter Available

CHEVROLET

AIR & OIL FILTERS

Vehicle	Engine Type	Air Filter	Oil Filter
1963 CHEVROLET			
Chevy II	283 V8 CARB	E-1230	
Chevy II	283 V8 CARB - Exc. Cart. Type	E-1230	HP-2002 ¹
Corvair	145 H6 CARB	E-0900	
Corvette	327 V8 CARB	E-1515	
Corvette	327 V8 CARB - Exc. Cart. Type	E-1515	HP-2002 ¹
Corvette	5.3L V8 F/I - Exc. Cart. Type		HP-2002 ¹
Impala	283 V8 CARB	E-1230	
Impala	283 V8 CARB - Exc. Cart. Type	E-1230	HP-2002 ¹
Impala	327 V8 CARB	E-1230	
Impala	327 V8 CARB - Exc. Cart. Type	E-1230	HP-2002 ¹
Impala	409 V8 CARB	E-1230	
Impala	409 V8 CARB - Exc. Cart. Type	E-1230	HP-2002 ¹
Nova	283 V8 CARB	E-1230	
Nova	283 V8 CARB - Exc. Cart. Type	E-1230	HP-2002 ¹

1962 CHEVROLET			
Corvair	145 H6 CARB	E-0900	
Corvette	327 V8 CARB - Exc. Cart. Type		HP-2002 ¹
Corvette	5.3L V8 F/I - Exc. Cart. Type		HP-2002 ¹
Impala	327 V8 CARB	E-1230	
Impala	327 V8 CARB - Exc. Cart. Type	E-1230	HP-2002 ¹
Impala	409 V8 CARB	E-1230	
Impala	409 V8 CARB - Exc. Cart. Type	E-1230	HP-2002 ¹

1961 CHEVROLET			
Corvair	145 H6 CARB	E-0900	
Corvette	283 V8 CARB - Exc. Cart. Type		HP-2002 ¹
Corvette	4.6L V8 F/I	E-1935	

1960 CHEVROLET			
Corvette	283 V8 CARB	E-1230	
Corvette	283 V8 CARB - Exc. Cart. Type	E-1230	HP-2002 ¹
Corvette	4.6L V8 F/I	E-1935	

1959 CHEVROLET			
Corvette	4.6L V8 F/I	E-1935	

2016 CHRYSLER			
200	2.4L L4 F/I	33-5025 ♦	HP-1017 ¹
200	3.6L V6 F/I	33-5025 ♦	
300	3.6L V6 F/I	33-2460 ♦♦	
300	5.7L V8 F/I	33-2460+	HP-2010 ¹
Town & Country	3.6L V6 F/I	33-2462	

2015 CHRYSLER			
200	2.4L L4 F/I	33-5025	HP-1017 ¹
200	3.6L V6 F/I	33-5025 ♦	PS-7026
300	3.6L V6 F/I	33-2460 ♦♦	PS-7026
300	5.7L V8 F/I	33-2460 ♦♦	HP-2010 ¹
300	6.4L V8 F/I	33-2460 ♦♦	HP-2010 ¹
300C	3.6L V6 F/I	33-2460 ♦♦	PS-7026
300C	5.7L V8 F/I	33-2460 ♦♦	HP-2010 ¹
Town & Country	3.6L V6 F/I	33-2462+	PS-7026

2014 CHRYSLER			
200	2.4L L4 F/I	33-2373 ♦♦	HP-1017 ¹
200	3.6L V6 F/I	33-2470+	PS-7026
300	3.6L V6 F/I	33-2460 ♦♦	PS-7026
300	5.7L V8 F/I	33-2460 ♦♦	HP-2010 ¹

Vehicle	Engine Type	Air Filter	Oil Filter
2014 CHRYSLER			
300	6.4L V8 F/I	33-2460 ♦♦	HP-2010 ¹
300C	3.6L V6 F/I	33-2460 ♦♦	PS-7026
300C	5.7L V8 F/I	33-2460 ♦♦	HP-2010 ¹
Town & Country	3.6L V6 F/I	33-2462+	PS-7026

2013 CHRYSLER			
200	2.4L L4 F/I	33-2373 ♦♦	HP-1017 ¹
200	3.6L V6 F/I	33-2470+	PS-7025
300	3.6L V6 F/I	33-2460 ♦♦	PS-7025
300	5.7L V8 F/I	33-2460 ♦♦	HP-2010 ¹
300	6.4L V8 F/I	33-2460 ♦♦	HP-2010 ¹
300C	5.7L V8 F/I	33-2460 ♦♦	HP-2010 ¹
Town & Country	3.6L V6 F/I	33-2462+	PS-7025

2012 CHRYSLER			
200	2.4L L4 F/I	33-2373 ♦♦	HP-1017 ¹
200	3.6L V6 F/I	33-2470 ♦♦	PS-7025
300	3.6L V6 F/I	33-2460 ♦♦	PS-7025
300	5.7L V8 F/I	33-2460 ♦♦	HP-2010 ¹
300	6.4L V8 F/I	33-2460 ♦♦	HP-2010 ¹
300C	5.7L V8 F/I	33-2460 ♦♦	HP-2010 ¹
Town & Country	3.6L V6 F/I	33-2462+	PS-7025

2011 CHRYSLER			
200	2.4L L4 F/I	33-2373+	HP-1017 ¹
200	3.6L V6 F/I	33-2470+	PS-7025
300	3.6L V6 F/I	33-2460 ♦♦	PS-7025
300C	5.7L V8 F/I	33-2460 ♦♦	HP-2010 ¹
Town & Country	3.6L V6 F/I	33-2462+	PS-7025

2010 CHRYSLER			
300	2.7L V6 F/I	33-2295 ♦♦	HP-1017 ¹
300	3.5L V6 F/I	33-2295 ♦♦	HP-1017 ¹
300C	3.0L V6 DSL	33-2304	
300C	5.7L V8 F/I	33-2295 ♦♦	HP-2010 ¹
300C	6.1L V8 F/I	33-2295 ♦♦	HP-2010 ¹
PT Cruiser	2.4L L4 F/I	33-2351 ♦	HP-1002 ¹
Sebring	2.4L L4 F/I	33-2373+	HP-1017 ¹
Sebring	2.7L V6 F/I	33-2373+	HP-1017 ¹
Sebring	3.5L V6 F/I	33-2373+	HP-1017 ¹
Town & Country	3.3L V6 F/I	33-2419+	HP-1002 ¹
Town & Country	3.8L V6 F/I	33-2419+	HP-1002 ¹
Town & Country	4.0L V6 F/I	33-2419+	HP-1017 ¹

2009 CHRYSLER			
300	2.7L V6 F/I	33-2295 ♦♦	HP-1017 ¹
300	3.5L V6 F/I	33-2295 ♦♦	HP-2010 ¹
300C	5.7L V8 F/I	33-2295 ♦♦	HP-2010 ¹
300C	6.1L V8 F/I	33-2295 ♦♦	HP-2010 ¹
Aspen	4.7L V8 F/I	33-2288	HP-2010 ¹
Aspen	5.7L V8 F/I	33-2288	HP-2010 ¹
PT Cruiser	2.4L L4 F/I	33-2351	
		33-2351 ♦	
PT Cruiser	2.4L L4 F/I - Exc. Turbo	33-2351	HP-1002 ¹
PT Cruiser	2.4L L4 F/I - Turbo	33-2351	HP-2009 ¹
Sebring	2.4L L4 F/I	33-2373+	HP-1017 ¹
Town & Country Van	3.3L V6 F/I	33-2419+	HP-1002 ¹
Town & Country Van	3.8L V6 F/I	33-2419+	HP-1002 ¹
Town & Country Van	4.0L V6 F/I	33-2419+	HP-1017 ¹

2008 CHRYSLER			
300	2.7L V6 F/I	33-2295 ♦♦	HP-2010 ¹
300	3.5L V6 F/I	33-2295 ♦♦	HP-2010 ¹
300C	2.7L V6 F/I	33-2295	HP-2010 ¹
300C	3.0L V6 DSL	33-2304	
300C	3.5L V6 F/I	33-2295	HP-2010 ¹
300C	5.7L V8 F/I	33-2295 ♦♦	HP-2010 ¹

* 2 filters required ♦ Intake System Available - see page 81 +Cabin Air Filter Available - see page 453 1- Pro Series Filter Available

AIR & OIL FILTERS

CHRYSLER

Vehicle	Engine Type	Air Filter	Oil Filter
2008 CHRYSLER			
300C	6.1L V8 F/I	33-2295 ♦+	HP-2010 ¹
Aspen	4.7L V8 F/I	33-2288	HP-2010 ¹
Aspen	5.7L V8 F/I	33-2288	HP-2010 ¹
Crossfire	3.2L V6 F/I	33-2290*	PS-7004
Pacifica	4.0L V6 F/I	33-2283+	HP-2004 ¹
PT Cruiser	1.6L L4 F/I	33-2351	
PT Cruiser	2.4L L4 F/I	33-2351 ♦	
		33-2351 ♦	
PT Cruiser	2.4L L4 F/I - Exc. Turbo	33-2351	HP-1002 ¹
PT Cruiser	2.4L L4 F/I - Turbo	33-2351	HP-2009 ¹
Sebring	2.0L L4 DSL	33-2373	
Sebring	2.0L L4 F/I	33-2373	
Sebring	2.4L L4 F/I	33-2373+	HP-1017 ¹
Sebring	2.7L V6 F/I	33-2373+	HP-2010 ¹
Sebring	3.5L V6 F/I	33-2373+	
Sebring	3.5L V6 F/I - 22mm Thread	33-2373	HP-2010 ¹
Sebring	3.5L V6 F/I - 3/4 thread	33-2373	HP-2004 ¹
Town & Country Van	3.3L V6 F/I	33-2419+	HP-1002 ¹
Town & Country Van	3.8L V6 F/I	33-2419+	HP-1002 ¹
Town & Country Van	4.0L V6 F/I	33-2419+	HP-2004 ¹

Vehicle	Engine Type	Air Filter	Oil Filter
2007 CHRYSLER			
300	2.7L V6 F/I	33-2295 ♦+	HP-2004 ¹
300	3.5L V6 F/I	33-2295 ♦+	HP-2004 ¹
300C	2.7L V6 F/I	33-2295	HP-2004 ¹
300C	3.0L V6 DSL	33-2304	
300C	3.5L V6 F/I	33-2295	HP-2004 ¹
300C	5.7L V8 F/I	33-2295 ♦+	HP-2004 ¹
300C	6.1L V8 F/I	33-2295 ♦+	HP-2004 ¹
Aspen	4.7L V8 F/I	33-2288	HP-2004 ¹
Aspen	5.7L V8 F/I	33-2288 ♦	HP-2004 ¹
Crossfire	3.2L V6 F/I	33-2290*	PS-7004
Crossfire SRT-6	3.2L V6 F/I	33-2256*	PS-7004
Pacifica	3.8L V6 F/I	33-2283+	HP-2004 ¹
Pacifica	4.0L V6 F/I	33-2283+	HP-2004 ¹
PT Cruiser	1.6L L4 F/I	33-2351	
PT Cruiser	2.4L L4 F/I	33-2351 ♦	
		33-2351 ♦	
PT Cruiser	2.4L L4 F/I - Exc. Turbo	33-2351	HP-1002 ¹
PT Cruiser	2.4L L4 F/I - Turbo	33-2351	HP-2009 ¹
Sebring	2.0L L4 DSL	33-2373	
Sebring	2.0L L4 F/I	33-2373	
Sebring	2.4L L4 F/I	33-2373+	HP-1017 ¹
Sebring	2.7L V6 F/I	33-2373+	HP-2004 ¹
Sebring	3.5L V6 F/I	33-2373+	HP-2004 ¹
Town & Country Van	3.3L V6 F/I	33-2206+	HP-1002 ¹
Town & Country Van	3.8L V6 F/I	33-2206+	HP-1002 ¹

Vehicle	Engine Type	Air Filter	Oil Filter
2006 CHRYSLER			
300	2.7L V6 F/I	33-2295 ♦+	HP-2004 ¹
300	3.5L V6 F/I	33-2295 ♦+	HP-2004 ¹
300C	3.0L V6 DSL	33-2304	
300C	3.5L V6 F/I	33-2295	HP-2004 ¹
300C	5.7L V8 F/I	33-2295 ♦+	HP-2004 ¹
300C	6.1L V8 F/I	33-2295 ♦+	HP-2004 ¹
Crossfire	3.2L V6 F/I	33-2290*	PS-7004
Crossfire SRT-6	3.2L V6 F/I	33-2256*	PS-7004
Pacifica	3.5L V6 F/I	33-2283+	HP-2004 ¹
Pacifica	3.8L V6 F/I	33-2283+	HP-2004 ¹
PT Cruiser	1.6L L4 F/I	33-2351	
PT Cruiser	2.4L L4 F/I	33-2351 ♦	
		33-2351 ♦	
PT Cruiser	2.4L L4 F/I - Exc. Turbo	33-2351	HP-1002 ¹
PT Cruiser	2.4L L4 F/I - Turbo	33-2351	HP-2009 ¹

Vehicle	Engine Type	Air Filter	Oil Filter
2006 CHRYSLER			
Sebring	2.4L L4 F/I	E-1007	HP-1002 ¹
Sebring	2.7L V6 F/I	E-1007	HP-2004 ¹
Town & Country Van	3.3L V6 F/I	33-2206+	HP-2004 ¹
Town & Country Van	3.8L V6 F/I	33-2206+	HP-2004 ¹
2005 CHRYSLER			
300	2.7L V6 F/I	33-2295 ♦+	HP-2004 ¹
300	3.5L V6 F/I	33-2295 ♦+	HP-2004 ¹
300C	3.0L V6 DSL	33-2304	
300C	3.5L V6 F/I	33-2295+	HP-2004 ¹
300C	5.7L V8 F/I	33-2295 ♦+	HP-2004 ¹
300C	6.1L V8 F/I	33-2295 ♦+	HP-2004 ¹
Crossfire	3.2L V6 F/I	33-2290*	PS-7004
Crossfire SRT-6	3.2L V6 F/I	33-2256*	PS-7004
Pacifica	3.5L V6 F/I	33-2283+	HP-2004 ¹
Pacifica	3.8L V6 F/I	33-2283+	HP-2004 ¹
PT Cruiser	1.6L L4 F/I	33-2153	
PT Cruiser	2.0L L4 F/I	33-2153 ♦	
PT Cruiser	2.4L L4 F/I	33-2153 ♦	
		33-2153 ♦	
PT Cruiser	2.4L L4 F/I - Exc. Turbo	33-2153	HP-1002 ¹
PT Cruiser	2.4L L4 F/I - Turbo	33-2153	HP-2009 ¹
Sebring	2.4L L4 F/I - DOHC	E-1007	HP-1002 ¹
Sebring	2.4L L4 F/I - Non-US	E-1007	
Sebring	2.4L L4 F/I - SOHC	33-2072	HP-1010 ¹
Sebring	2.7L V6 F/I	E-1007	HP-2004 ¹
Town & Country Van	3.3L V6 F/I	33-2206+	HP-2004 ¹
Town & Country Van	3.8L V6 F/I	33-2206+	HP-2004 ¹
		33-2206	HP-2004 ¹

Vehicle	Engine Type	Air Filter	Oil Filter
2004 CHRYSLER			
300C	5.7L V8 F/I	33-2295	
300M	3.5L V6 F/I	33-2136 ♦	HP-2004 ¹
Crossfire	3.2L V6 F/I	33-2290*	PS-7004
Intrepid	2.7L V6 F/I		HP-2004 ¹
Pacifica	3.5L V6 F/I	33-2283+	HP-2004 ¹
PT Cruiser	1.6L L4 F/I	33-2153	
PT Cruiser	2.0L L4 F/I	33-2153 ♦	
PT Cruiser	2.4L L4 F/I	33-2153 ♦	
		33-2153 ♦	
PT Cruiser	2.4L L4 F/I - Exc. Turbo	33-2153	HP-1002 ¹
PT Cruiser	2.4L L4 F/I - Turbo	33-2153	HP-2009 ¹
Sebring	2.4L L4 F/I	E-1007	
Sebring	2.4L L4 F/I - DOHC	E-1007	HP-1002 ¹
Sebring	2.4L L4 F/I - SOHC	E-1007	HP-1010 ¹
Sebring	2.7L V6 F/I	E-1007	HP-2004 ¹
Sebring	3.0L V6 F/I	33-2072	HP-1004 ¹
Town & Country Van	3.3L V6 F/I	33-2206+	

Vehicle	Engine Type	Air Filter	Oil Filter
2003 CHRYSLER			
300M	3.5L V6 F/I	33-2136 ♦	HP-2004 ¹
PT Cruiser	1.6L L4 F/I	33-2153	
PT Cruiser	2.0L L4 F/I	33-2153 ♦	
PT Cruiser	2.4L L4 F/I	33-2153 ♦	
		33-2153 ♦	
PT Cruiser	2.4L L4 F/I - Exc. Turbo	33-2153	HP-1002 ¹
PT Cruiser	2.4L L4 F/I - Turbo	33-2153	HP-2009 ¹
Sebring	2.4L L4 F/I	33-2072	
Sebring	2.4L L4 F/I - DOHC	33-2072	HP-1002 ¹
Sebring	2.4L L4 F/I - Non-US	E-1007	
Sebring	2.4L L4 F/I - SOHC	33-2072	HP-1010 ¹
Sebring	2.7L V6 F/I	E-1007	HP-2004 ¹
Sebring	3.0L V6 F/I	33-2072	HP-1004 ¹
Town & Country Van	3.3L V6 F/I	33-2206+	HP-2004 ¹
Town & Country Van	3.8L V6 F/I	33-2206+	HP-2004 ¹

* 2 filters required ♦ Intake System Available - see page 81 +Cabin Air Filter Available - see page 453 1- Pro Series Filter Available

CHRYSLER

AIR & OIL FILTERS

Vehicle	Engine Type	Air Filter	Oil Filter
2003 CHRYSLER			
Voyager Van	3.3L V6 F/I	33-2206+	
2002 CHRYSLER			
300M	3.5L V6 F/I	33-2136 ♦	HP-2004 ¹
Concorde	3.5L V6 F/I	33-2136	HP-2004 ¹
Neon	2.0L L4 F/I	E-1006 ♦	HP-1002 ¹
Neon II	2.0L L4 F/I	E-1006 ♦	HP-1002 ¹
Prowler	3.5L V6 F/I	33-2087	HP-2004 ¹
PT Cruiser	2.0L L4 F/I	33-2153 ♦	
PT Cruiser	2.4L L4 F/I	33-2153 ♦	HP-1002 ¹
Sebring	2.4L L4 F/I - DOHC	E-1007	HP-1002 ¹
Sebring	2.4L L4 F/I - Non-US	E-1007	
Sebring	2.4L L4 F/I - SOHC	33-2072	HP-1010 ¹
Sebring	2.7L V6 F/I	E-1007	HP-2004 ¹
Sebring	3.0L V6 F/I	33-2072	HP-1004 ¹
Town & Country Van	3.3L V6 F/I	33-2206+	HP-2004 ¹
Town & Country Van	3.8L V6 F/I	33-2206+	HP-2004 ¹
2001 CHRYSLER			
300M	3.5L V6 F/I	33-2136 ♦	HP-2004 ¹
Concorde	3.2L V6 F/I	33-2136	HP-2004 ¹
LHS	3.5L V6 F/I	33-2136	HP-2004 ¹
Prowler	3.5L V6 F/I		HP-2004 ¹
PT Cruiser	2.0L L4 F/I	33-2153 ♦	
PT Cruiser	2.4L L4 F/I	33-2153 ♦	HP-1002 ¹
Sebring	2.4L L4 F/I - DOHC	E-1007	HP-1002 ¹
Sebring	2.4L L4 F/I - Non-US	E-1007	
Sebring	2.4L L4 F/I - SOHC	33-2072	HP-1010 ¹
Sebring	2.7L V6 F/I	E-1007	HP-2004 ¹
Sebring	3.0L V6 F/I	33-2072	HP-1004 ¹
Town & Country Van	3.3L V6 F/I	33-2206+	HP-2004 ¹
Town & Country Van	3.8L V6 F/I	33-2206+	HP-2004 ¹
2000 CHRYSLER			
300M	3.5L V6 F/I	33-2136 ♦	HP-2004 ¹
Cirrus	2.5L V6 F/I	33-2067	HP-2004 ¹
Concorde	3.2L V6 F/I	33-2136	HP-2004 ¹
LHS	3.5L V6 F/I	33-2136	HP-2004 ¹
Neon	2.0L L4 F/I	E-1006 ♦	HP-1002 ¹
Neon II	2.0L L4 F/I	E-1006 ♦	HP-1002 ¹
Sebring	2.5L V6 F/I - VIN H	33-2067	HP-2004 ¹
Sebring	2.5L V6 F/I - VIN N	33-2072	HP-2004 ¹
Town & Country Van	3.3L V6 F/I	33-2087	HP-2004 ¹
Town & Country Van	3.8L V6 F/I	33-2087	HP-2004 ¹
1999 CHRYSLER			
300M	3.5L V6 F/I	33-2136	HP-2004 ¹
Cirrus	2.5L V6 F/I	33-2067	
Concorde	3.2L V6 F/I	33-2136	HP-2004 ¹
LHS	3.5L V6 F/I	33-2136	HP-2004 ¹
Sebring	2.5L V6 F/I - VIN H	33-2067	HP-2004 ¹
Sebring	2.5L V6 F/I - VIN N	33-2072	HP-2004 ¹
Town & Country Van	3.8L V6 F/I	33-2087	HP-2004 ¹
1998 CHRYSLER			
Concorde	3.2L V6 F/I	33-2136	
Sebring	2.5L V6 F/I - VIN H	33-2067	HP-2004 ¹
Sebring	2.5L V6 F/I - VIN N	33-2072	HP-2004 ¹
1997 CHRYSLER			
LHS	3.5L V6 F/I	33-2066-1	HP-2004 ¹
Sebring	2.5L V6 F/I - VIN H	33-2067	HP-2004 ¹
Sebring	2.5L V6 F/I - VIN N	33-2072	HP-2004 ¹
1996 CHRYSLER			
LHS	3.5L V6 F/I	33-2066-1	HP-2004 ¹
Sebring	2.5L V6 F/I - VIN H	33-2067	HP-2004 ¹
Sebring	2.5L V6 F/I - VIN N	33-2072	HP-2004 ¹

Vehicle	Engine Type	Air Filter	Oil Filter
1996 CHRYSLER			
Voyager II	2.4L L4 F/I	33-2087	HP-1002 ¹
1994 CHRYSLER			
LeBaron	3.0L V6 F/I	33-2002	HP-2004 ¹
1992 CHRYSLER			
LeBaron	3.0L V6 F/I	33-2002	
1989 CHRYSLER			
Conquest	2.6L L4 F/I	E-2873	
1988 CHRYSLER			
Conquest	2.6L L4 F/I	E-2873	HP-1005
1987 CHRYSLER			
Conquest	2.6L L4 F/I	E-2873	HP-1005
2013 CITROEN			
C5	1.6L L4 DSL	33-2975	
C5	1.6L L4 F/I - Turbo	33-2936	
DS3	1.6L L4 DSL	33-2975+	
DS3	1.6L L4 F/I - Exc. Turbo	33-2941+	
DS3	1.6L L4 F/I - Turbo	33-2936+	
2012 CITROEN			
DS3	1.6L L4 DSL	33-2975+	
DS3	1.6L L4 F/I - Exc. Turbo	33-2941+	
DS3	1.6L L4 F/I - Turbo	33-2936+	
DS4	1.6L L4 DSL	33-2975	
DS4	1.6L L4 F/I - Exc. Turbo	33-2941	
DS4	1.6L L4 F/I - Turbo	33-2936	
2010 CITROEN			
C4	1.6L L4 DSL - 90/109BHP	33-2847 ♦	
C4	1.6L L4 DSL - 92/112BHP	33-2975 ♦	
C4	1.6L L4 F/I - Exc. Turbo	33-2941 ♦	
C4	1.6L L4 F/I - Turbo	33-2936 ♦	
C4 II	1.6L L4 DSL	33-2975+	
C4 II	1.6L L4 F/I - Exc. Turbo	33-2941+	
C4 II	1.6L L4 F/I - Turbo	33-2936+	
C4 Picasso	1.6L L4 DSL - 110BHP	33-2847 ♦	
C4 Picasso	1.6L L4 DSL - 112BHP	33-2975 ♦	
C4 Picasso	1.6L L4 F/I - Exc. Turbo	33-2941 ♦	
C4 Picasso	1.6L L4 F/I - Turbo	33-2936 ♦	
DS3	1.6L L4 DSL	33-2975+	
DS3	1.6L L4 F/I - Exc. Turbo	33-2941+	
DS3	1.6L L4 F/I - Turbo	33-2936+	
2009 CITROEN			
C1	1.0L L3 F/I	33-2131 ♦	
C2	1.6L L4 DSL	33-2847 ♦+	
C2	1.6L L4 F/I	33-2844 ♦+	
C4	2.0L L4 DSL - Auto Gearbox	33-2998	
C4	2.0L L4 F/I - 140BHP	33-2957	
C4 Picasso	2.0L L4 DSL	33-2998	
C4 Picasso	2.0L L4 F/I	33-2957 ♦	
2008 CITROEN			
C1	1.0L L3 F/I	33-2131 ♦	
C4	2.0L L4 DSL - Auto Gearbox	33-2998	
C4	2.0L L4 F/I - 140BHP	33-2957 ♦	
C4 Picasso	2.0L L4 DSL	33-2998	
C4 Picasso	2.0L L4 F/I	33-2957 ♦	
2007 CITROEN			
C2	1.4L L4 F/I	33-2844 ♦+	
C4	1.6L L4 F/I	33-2937 ♦	

* 2 filters required ♦ Intake System Available - see page 81 +Cabin Air Filter Available - see page 453 1- Pro Series Filter Available

AIR & OIL FILTERS

CITROEN

Vehicle	Engine Type	Air Filter	Oil Filter
2007 CITROEN			
C5	2.0L L4 F/I	33-2911	
2006 CITROEN			
Xsara Picasso	1.6L L4 F/I	33-2937 ♦	
2005 CITROEN			
C4	1.6L L4 DSL	33-2847 ♦	
C4	1.6L L4 F/I	33-2937 ♦	
C5	2.0L L4 F/I	33-2911	
2003 CITROEN			
Berlingo	1.9L L4 DSL - DW8B Eng.	E-9256	
Berlingo	1.9L L4 DSL - Exc., DW8B Eng.	E-9252	
2002 CITROEN			
Saxo	1.6L L4 F/I - 8v	33-2772 ♦	
2002 DAEWOO			
Leganza	2.2L L4 F/I	33-2800	
Matiz	0.8L L3 F/I	33-2827	
2001 DAEWOO			
Leganza	2.2L L4 F/I	33-2800	
2000 DAEWOO			
Leganza	2.2L L4 F/I	33-2800	
Matiz	0.8L L3 F/I	33-2827	
1999 DAEWOO			
Matiz	0.8L L3 F/I	33-2827	
2009 DAIHATSU			
Sirion	1.5L L4 F/I - OEM 17801B1010	33-2967	
Terios	1.5L L4 F/I - Non-US	33-2967	
Terios	1.5L L4 F/I - US	33-2989	
2008 DAIHATSU			
Materia	1.5L L4 F/I	33-2967 ♦	
Sirion	1.5L L4 F/I - OEM 17801B1010	33-2967	
Terios	1.5L L4 F/I - Non-US	33-2967	
Terios	1.5L L4 F/I - US	33-2989	
1994 DAIHATSU			
Mira	.66L L3 F/I - Turbo	33-2633	
1992 DAIHATSU			
Rocky	1.6L L4 F/I		HP-1003 ¹
1990 DAIHATSU			
Rocky	1.6L L4 F/I		HP-1003 ¹
2016 DODGE			
Challenger	3.6L V6 F/I	33-2460 ♦+	
Challenger	5.7L V8 F/I	33-2460 ♦+	HP-2010 ¹
Challenger	6.2L V8 F/I	33-2460 ♦+	HP-2010 ¹
Challenger	6.4L V8 F/I	33-2460 ♦+	HP-2010 ¹
Charger	3.6L V6 F/I	33-2460 ♦+	
Charger	5.7L V8 F/I	33-2460 +	HP-2010 ¹
Charger	6.2L V8 F/I		HP-2010 ¹
Charger	6.4L V8 F/I	33-2460 ♦+	HP-2010 ¹
Dart	1.4L L4 F/I	33-2491	
Dart	2.0L L4 F/I	33-2491 ♦	HP-1017 ¹
Dart	2.4L L4 F/I	33-2491	HP-1017 ¹
Grand Caravan	3.6L V6 F/I	33-2462	
Journey	2.4L L4 F/I	33-2423 +	HP-1017 ¹
Journey	3.6L V6 F/I	33-2470 +	
Viper	8.4L V10 F/I	33-2432	HP-2010 ¹

Vehicle	Engine Type	Air Filter	Oil Filter
2015 DODGE			
Avenger	2.4L L4 F/I		HP-1017 ¹
Challenger	3.6L V6 F/I	33-2460 ♦+	PS-7026
Challenger	5.7L V8 F/I	33-2460 ♦+	HP-2010 ¹
Challenger	6.2L V8 F/I	33-2460 ♦+	HP-2010 ¹
Challenger	6.4L V8 F/I	33-2460 ♦+	HP-2010 ¹
Charger	3.6L V6 F/I	33-2460 ♦+	PS-7026
Charger	5.7L V8 F/I	33-2460 ♦+	HP-2010 ¹
Charger	6.2L V8 F/I	33-2460 ♦+	HP-2010 ¹
Charger	6.4L V8 F/I	33-2460 ♦+	HP-2010 ¹
Dart	1.4L L4 F/I	33-2491	
Dart	2.0L L4 F/I	33-2491 ♦	HP-1017 ¹
Dart	2.4L L4 F/I	33-2491	HP-1017 ¹
Durango	3.6L V6 F/I	33-2457 ♦	PS-7026
Durango	5.7L V8 F/I	33-2457 ♦	HP-2010 ¹
Grand Caravan	3.6L V6 F/I	33-2462 +	PS-7026
Journey	2.4L L4 F/I	33-2423 +	HP-1017 ¹
Journey	3.6L V6 F/I	33-2470 +	PS-7026
Viper	8.4L V10 F/I	33-2432	HP-1017 ¹
2014 DODGE			
4500	6.4L V8 F/I	33-2247	
5500	6.4L V8 F/I	33-2247	HP-1017 ¹
Avenger	2.4L L4 F/I	33-2373 ♦+	HP-1017 ¹
Avenger	3.6L V6 F/I	33-2470 ♦+	PS-7026
Challenger	3.6L V6 F/I	33-2460 ♦+	PS-7026
Challenger	5.7L V8 F/I	33-2460 ♦+	HP-2010 ¹
Challenger	6.4L V8 F/I	33-2460 ♦+	HP-2010 ¹
Charger	3.6L V6 F/I	33-2460 ♦+	PS-7026
Charger	5.7L V8 F/I	33-2460 ♦+	HP-2010 ¹
Charger	6.4L V8 F/I	33-2460 ♦+	HP-2010 ¹
Dart	1.4L L4 F/I	33-2491 ♦	
Dart	2.0L L4 F/I	33-2491 ♦	HP-1017 ¹
Dart	2.4L L4 F/I	33-2491	HP-1017 ¹
Durango	3.6L V6 F/I	33-2457 ♦	PS-7026
Durango	5.7L V8 F/I	33-2457 ♦	HP-2010 ¹
Grand Caravan	3.6L V6 F/I	33-2462 +	PS-7026
Journey	2.4L L4 F/I	33-2423 +	HP-1017 ¹
Journey	3.6L V6 F/I	33-2470 +	PS-7026
Ram 1500 Pickup	3.0L V6 DSL	33-2247	
Ram 1500 Pickup	3.6L V6 F/I	33-2247 ♦	
Ram 1500 Pickup	4.7L V8 F/I		HP-2010 ¹
Ram 1500 Pickup	5.7L V8 F/I	33-2247 ♦	HP-1017 ¹
Ram 2500 Pickup	5.7L V8 F/I	33-2247 ♦	HP-1017 ¹
Ram 2500 Pickup	6.4L V8 F/I	33-2247 ♦	HP-1017 ¹
Ram 2500 Pickup	6.7L L6 DSL	33-5005 ♦	HP-4003 ¹
Ram 3500 Pickup	5.7L V8 F/I	33-2247	HP-1017 ¹
Ram 3500 Pickup	6.4L V8 F/I	33-2247 ♦	HP-1017 ¹
Ram 3500 Pickup	6.7L L6 DSL	33-5005 ♦	HP-4003 ¹
Ram 4500	6.7L L6 DSL	33-5005	HP-4003 ¹
Ram 5500	6.7L L6 DSL	33-5005	HP-4003 ¹
Viper	8.4L V10 F/I	33-2432	
2013 DODGE			
Avenger	2.4L L4 F/I	33-2373 ♦+	HP-1017 ¹
Avenger	3.6L V6 F/I	33-2470 ♦+	PS-7025
Cargo Van	3.6L V6 F/I	33-2462	
Challenger	3.6L V6 F/I	33-2460 ♦+	PS-7025
Challenger	5.7L V8 F/I	33-2460 ♦+	HP-2010 ¹
Challenger	6.4L V8 F/I	33-2460 ♦+	HP-2010 ¹
Charger	3.6L V6 F/I	33-2460 ♦+	PS-7025
Charger	5.7L V8 F/I	33-2460 ♦+	HP-2010 ¹
Charger	6.4L V8 F/I	33-2460 ♦+	HP-2010 ¹
Dart	1.4L L4 F/I	33-2491 ♦	
Dart	2.0L L4 F/I	33-2491 ♦	HP-1017 ¹
Dart	2.4L L4 F/I	33-2491	HP-1017 ¹

* 2 filters required ♦ Intake System Available - see page 81 +Cabin Air Filter Available - see page 453 1- Pro Series Filter Available

DODGE

AIR & OIL FILTERS

Vehicle	Engine Type	Air Filter	Oil Filter
2013 DODGE			
Durango	3.6L V6 F/I	33-2457 ♦	PS-7025
Durango	5.7L V8 F/I	33-2457 ♦	HP-2010 ¹
Grand Caravan	3.6L V6 F/I	33-2462+	PS-7025
Journey	2.4L L4 F/I	33-2423+	HP-1017 ¹
Journey	3.6L V6 F/I	33-2470+	PS-7025
Ram 1500 Pickup	3.6L V6 F/I	33-2247 ♦	PS-7025
Ram 1500 Pickup	4.7L V8 F/I	33-2247	HP-2010 ¹
Ram 1500 Pickup	5.7L V8 F/I	33-2247 ♦	HP-1017 ¹
Ram 2500 Pickup	5.7L V8 F/I	33-2247 ♦	HP-1017 ¹
Ram 2500 Pickup	6.7L L6 DSL	33-5005 ♦	HP-4003 ¹
Ram 3500 Pickup	5.7L V8 F/I	33-2247	HP-1017 ¹
Ram 3500 Pickup	6.7L L6 DSL	33-5005 ♦	HP-4003 ¹
Ram 4500	6.7L L6 DSL	33-5005	
Ram 5500	6.7L L6 DSL	33-5005	HP-4003 ¹
Viper	8.4L V10 F/I	33-2432 ♦	

2012 DODGE			
Avenger	2.4L L4 F/I	33-2373 ♦+	HP-1017 ¹
Avenger	3.6L V6 F/I	33-2470 ♦+	PS-7025
Caliber	2.0L L4 F/I	E-1998+	HP-1017 ¹
Caliber	2.4L L4 F/I		HP-1017 ¹
Cargo Van	3.6L V6 F/I	33-2462+	
Challenger	3.6L V6 F/I	33-2460 ♦+	PS-7025
Challenger	5.7L V8 F/I	33-2460 ♦+	HP-2010 ¹
Challenger	6.4L V8 F/I	33-2460 ♦+	HP-2010 ¹
Charger	3.6L V6 F/I	33-2460 ♦+	PS-7025
Charger	5.7L V8 F/I	33-2460 ♦+	HP-2010 ¹
Charger	6.4L V8 F/I	33-2460 ♦+	HP-2010 ¹
Dakota	3.7L V6 F/I		HP-2011 ¹
Durango	3.6L V6 F/I	33-2457 ♦	PS-7025
Durango	5.7L V8 F/I	33-2457 ♦	HP-2010 ¹
Grand Caravan	3.6L V6 F/I	33-2462+	PS-7025
Journey	2.4L L4 F/I	33-2423+	HP-1017 ¹
Journey	3.6L V6 F/I	33-2470+	PS-7025
Ram 1500 Pickup	3.7L V6 F/I	33-2247	
Ram 1500 Pickup	4.7L V8 F/I	33-2247 ♦	HP-2010 ¹
Ram 1500 Pickup	5.7L V8 F/I	33-2247 ♦	HP-2010 ¹
Ram 2500 Pickup	5.7L V8 F/I	33-2247	HP-2010 ¹
Ram 2500 Pickup	6.7L L6 DSL	E-0787 ♦	HP-4003 ¹
Ram 3500 Pickup	5.7L V8 F/I	33-2247	HP-2010 ¹
Ram 3500 Pickup	6.7L L6 DSL	E-0787 ♦	HP-4003 ¹
Ram 4500	6.7L L6 DSL	E-0787	
Ram 5500	6.7L L6 DSL	E-0787	HP-4003 ¹

2011 DODGE			
Avenger	2.4L L4 F/I	33-2373+	HP-1017 ¹
Avenger	3.6L V6 F/I	33-2470 ♦+	PS-7025
Caliber	2.0L L4 F/I	E-1998+	HP-1017 ¹
Caliber	2.4L L4 F/I	E-1998+	HP-1017 ¹
Challenger	3.6L V6 F/I	33-2460 ♦+	PS-7025
Challenger	5.7L V8 F/I	33-2460 ♦+	HP-2010 ¹
Challenger	6.4L V8 F/I	33-2460 ♦+	HP-2010 ¹
Charger	3.6L V6 F/I	33-2460 ♦+	PS-7025
Charger	5.7L V8 F/I	33-2460 ♦+	HP-2010 ¹
Dakota	3.7L V6 F/I	33-2175	HP-2011 ¹
Dakota	4.7L V8 F/I	33-2175	HP-2010 ¹
Durango	3.6L V6 F/I	33-2457 ♦	PS-7025
Durango	5.7L V8 F/I	33-2457 ♦	HP-2010 ¹
Grand Caravan	3.6L V6 F/I	33-2462+	PS-7025
Journey	2.0L L4 DSL	33-2423	
Journey	2.4L L4 F/I	33-2423+	HP-1017 ¹
Journey	2.7L V6 F/I	33-2423	
Journey	3.6L V6 F/I	33-2470+	PS-7025
Nitro	3.7L V6 F/I	33-2363 ♦	HP-2011 ¹
Nitro	4.0L V6 F/I	33-2363 ♦	HP-1017 ¹

Vehicle	Engine Type	Air Filter	Oil Filter
2011 DODGE			
Ram 1500 Pickup	3.7L V6 F/I	33-2247 ♦	HP-2011 ¹
Ram 1500 Pickup	4.7L V8 F/I	33-2247 ♦	HP-2010 ¹
Ram 1500 Pickup	5.7L V8 F/I	33-2247 ♦	HP-2010 ¹
Ram 2500 Pickup	5.7L V8 F/I	33-2247	HP-2010 ¹
Ram 2500 Pickup	6.7L L6 DSL	E-0787 ♦	HP-4003 ¹
Ram 3500 Pickup	5.7L V8 F/I	33-2247	HP-2010 ¹
Ram 3500 Pickup	6.7L L6 DSL	E-0787 ♦	HP-4003 ¹
Ram 4500	6.7L L6 DSL	E-0787	
Ram 5500	6.7L L6 DSL	E-0787	HP-4003 ¹

2010 DODGE			
Avenger	2.0L L4 DSL	33-2373	
Avenger	2.4L L4 F/I	33-2373 ♦+	HP-1017 ¹
Avenger	2.7L V6 F/I	33-2373+	HP-1017 ¹
Avenger	3.5L V6 F/I	33-2373 ♦+	HP-1017 ¹
Caliber	1.8L L4 F/I	33-2362 ♦	
Caliber	2.0L L4 DSL	33-2362	
Caliber	2.0L L4 F/I	33-2362 ♦+	HP-1017 ¹
Caliber	2.4L L4 F/I	33-2362 ♦+	HP-1017 ¹
Challenger	3.5L V6 F/I	33-2295 ♦+	HP-1017 ¹
Challenger	5.7L V8 F/I	33-2295 ♦+	HP-2010 ¹
Challenger	6.1L V8 F/I	33-2295 ♦+	HP-2010 ¹
Charger	2.7L V6 F/I	33-2295 ♦+	HP-1017 ¹
Charger	3.5L V6 F/I	33-2295 ♦+	HP-1017 ¹
Charger	5.7L V8 F/I	33-2295 ♦+	HP-2010 ¹
Charger	6.1L V8 F/I	33-2295 ♦+	HP-2010 ¹
Dakota	3.7L V6 F/I	33-2175	HP-2011 ¹
Dakota	4.7L V8 F/I	33-2175 ♦	HP-2010 ¹
Grand Caravan	3.3L V6 F/I	33-2419+	HP-1002 ¹
Grand Caravan	3.8L V6 F/I	33-2419+	HP-1002 ¹
Grand Caravan	4.0L V6 F/I	33-2419+	HP-1017 ¹
Journey	2.0L L4 DSL	33-2423	
Journey	2.4L L4 F/I	33-2423+	HP-1017 ¹
Journey	2.7L V6 F/I	33-2423	
Journey	3.5L V6 F/I	33-2423+	HP-1017 ¹
Nitro	3.7L V6 F/I	33-2363 ♦	HP-2011 ¹
Nitro	4.0L V6 F/I	33-2363 ♦	HP-1017 ¹
Ram 1500 Pickup	3.7L V6 F/I	33-2247 ♦	HP-2011 ¹
Ram 1500 Pickup	4.7L V8 F/I	33-2247 ♦	HP-2010 ¹
Ram 1500 Pickup	5.7L V8 F/I	33-2247 ♦	HP-2010 ¹
Ram 2500 Pickup	5.7L V8 F/I	33-2247	HP-2010 ¹
Ram 2500 Pickup	5.9L L6 DSL		HP-4003 ¹
Ram 2500 Pickup	6.7L L6 DSL	E-0787 ♦	HP-4003 ¹
Ram 3500 Pickup	5.7L V8 F/I		HP-2010 ¹
Ram 3500 Pickup	6.7L L6 DSL	E-0787 ♦	HP-4003 ¹
Ram 4500	6.7L L6 DSL	E-0787	
Ram 5500	6.7L L6 DSL	E-0787	HP-4003 ¹
Viper	8.4L V10 F/I	33-2432 ♦	HP-2010 ¹

2009 DODGE			
Avenger	2.0L L4 DSL	33-2373	
Avenger	2.4L L4 F/I	33-2373 ♦+	HP-1017 ¹
Avenger	2.7L V6 F/I	33-2373+	HP-2010 ¹
Avenger	3.5L V6 F/I	33-2373 ♦+	HP-2010 ¹
Caliber	1.8L L4 F/I	33-2362 ♦+	HP-1017 ¹
Caliber	2.0L L4 DSL	33-2362	
Caliber	2.0L L4 F/I	33-2362 ♦+	HP-1017 ¹
Caliber	2.4L L4 F/I	33-2362 ♦+	HP-1017 ¹
Caliber SRT-4	2.4L L4 F/I	E-1988 ♦+	HP-2010 ¹
Challenger	3.5L V6 F/I	33-2295 ♦+	HP-1017 ¹
Challenger	5.7L V8 F/I	33-2295 ♦+	HP-2010 ¹
Challenger	6.1L V8 F/I	33-2295 ♦+	HP-2010 ¹
Charger	2.7L V6 F/I	33-2295 ♦+	HP-1017 ¹
Charger	3.5L V6 F/I	33-2295 ♦+	HP-2010 ¹
Charger	5.7L V8 F/I	33-2295 ♦+	HP-2010 ¹

* 2 filters required ♦ Intake System Available - see page 81 +Cabin Air Filter Available - see page 453 1- Pro Series Filter Available

AIR & OIL FILTERS

DODGE

Vehicle	Engine Type	Air Filter	Oil Filter
2009 DODGE			
Charger	6.1L V8 F/I	33-2295 ♦+	HP-2010 ¹
Dakota	3.7L V6 F/I	33-2175	HP-2011 ¹
Dakota	4.7L V8 F/I	33-2175 ♦	HP-2010 ¹
Durango	4.7L V8 F/I	33-2288 ♦	HP-2010 ¹
Durango	5.7L V8 F/I	33-2288 ♦	HP-2010 ¹
Durango Hybrid	5.7L V8 F/I	E-1991	HP-2010 ¹
Grand Caravan	3.3L V6 F/I	33-2419+	HP-1002 ¹
Grand Caravan	3.8L V6 F/I	33-2419+	HP-1002 ¹
Grand Caravan	4.0L V6 F/I	33-2419+	HP-1017 ¹
Journey	2.0L L4 DSL	33-2423	
Journey	2.4L L4 F/I	33-2423+	HP-1017 ¹
Journey	2.7L V6 F/I	33-2423	
Journey	3.5L V6 F/I	33-2423+	HP-1017 ¹
Nitro	3.7L V6 F/I	33-2363	HP-2011 ¹
Nitro	4.0L V6 F/I	33-2363 ♦	HP-1017 ¹
Ram 1500 Pickup	3.7L V6 F/I	33-2247 ♦	HP-2011 ¹
Ram 1500 Pickup	4.7L V8 F/I	33-2247 ♦	HP-2010 ¹
Ram 1500 Pickup	5.7L V8 F/I	33-2247 ♦	HP-2010 ¹
Ram 2500 Pickup	5.7L V8 F/I	33-2247	HP-2010 ¹
Ram 2500 Pickup	5.9L L6 DSL	E-0776	HP-4003 ¹
Ram 2500 Pickup	6.7L L6 DSL	E-0784 ♦	HP-4003 ¹
Ram 3500 Pickup	5.7L V8 F/I	33-2247	
Ram 3500 Pickup	5.9L L6 DSL	E-0776	HP-4003 ¹
Ram 3500 Pickup	6.7L L6 DSL	E-0784 ♦	HP-4003 ¹
Ram 5500	6.7L L6 DSL		HP-4003 ¹
Sprinter 3500	3.0L V6 DSL	33-2391	
Viper	8.4L V10 F/I	33-2432 ♦	HP-2010 ¹

2008 DODGE			
Avenger	2.0L L4 DSL	33-2373	
Avenger	2.0L L4 F/I		HP-1017 ¹
Avenger	2.4L L4 F/I	33-2373 ♦+	HP-1017 ¹
Avenger	2.7L V6 F/I	33-2373+	HP-2010 ¹
Avenger	3.5L V6 F/I	33-2373 ♦+	
Avenger	3.5L V6 F/I - 22mm Thread	33-2373	HP-2010 ¹
Avenger	3.5L V6 F/I - 3/4 thread	33-2373	HP-2004 ¹
Caliber	1.8L L4 F/I	33-2362 ♦+	HP-1017 ¹
Caliber	2.0L L4 DSL	33-2362	
Caliber	2.0L L4 F/I	33-2362 ♦+	HP-1017 ¹
Caliber	2.4L L4 F/I	33-2362 ♦+	HP-1017 ¹
Caliber SRT-4	2.4L L4 F/I	E-1988 ♦+	HP-2010 ¹
Caravan	3.3L V6 F/I	33-2419	
Challenger	6.1L V8 F/I	33-2295 ♦+	HP-2010 ¹
Charger	2.7L V6 F/I	33-2295 ♦+	HP-2010 ¹
Charger	3.5L V6 F/I	33-2295 ♦+	HP-2010 ¹
Charger	5.7L V8 F/I	33-2295 ♦+	HP-2010 ¹
Charger	6.1L V8 F/I	33-2295 ♦+	HP-2010 ¹
Dakota	3.7L V6 F/I	33-2175 ♦	HP-2009 ¹
Dakota	4.7L V8 F/I	33-2175 ♦	HP-2010 ¹
Durango	4.7L V8 F/I	33-2288 ♦	HP-2010 ¹
Durango	5.7L V8 F/I	33-2288 ♦	HP-2010 ¹
Grand Caravan	3.3L V6 F/I	33-2419+	HP-1002 ¹
Grand Caravan	3.8L V6 F/I	33-2419+	HP-1002 ¹
Grand Caravan	4.0L V6 F/I	33-2419+	HP-2004 ¹
Magnum	2.7L V6 F/I	33-2295 ♦+	HP-2010 ¹
Magnum	3.5L V6 F/I	33-2295 ♦+	HP-2010 ¹
Magnum	5.7L V8 F/I	33-2295 ♦+	HP-2010 ¹
Magnum	6.1L V8 F/I	33-2295 ♦+	HP-2010 ¹
Nitro	2.8L L4 DSL	33-2363	
Nitro	3.7L V6 F/I	33-2363 ♦	HP-2009 ¹
Nitro	4.0L V6 F/I	33-2363 ♦	HP-2004 ¹
Ram 1500 Pickup	3.7L V6 F/I	33-2247 ♦	HP-2009 ¹
Ram 1500 Pickup	4.7L V8 F/I	33-2247 ♦	HP-2010 ¹
Ram 1500 Pickup	5.7L V8 F/I	33-2247 ♦	HP-2010 ¹

Vehicle	Engine Type	Air Filter	Oil Filter
2008 DODGE			
Ram 2500 Pickup	5.7L V8 F/I	33-2247 ♦	HP-2010 ¹
Ram 2500 Pickup	5.9L L6 DSL	E-0776	HP-4003 ¹
Ram 2500 Pickup	6.7L L6 DSL	E-0784 ♦	HP-4003 ¹
Ram 3500 Pickup	5.7L V8 F/I	33-2247 ♦	HP-2010 ¹
Ram 3500 Pickup	5.9L L6 DSL	E-0776	HP-4003 ¹
Ram 3500 Pickup	6.7L L6 DSL	E-0784 ♦	HP-4003 ¹
Ram 4500	6.7L L6 DSL		HP-4003 ¹
Ram 5500	6.7L L6 DSL		HP-4003 ¹
Sprinter 2500	3.0L V6 DSL	33-2391	PS-7028
Sprinter 2500	3.5L V6 F/I	33-2391	PS-7004
Sprinter 3500	3.0L V6 DSL	33-2391	PS-7028
Viper	8.4L V10 F/I	33-2432 ♦	

2007 DODGE			
Avenger	2.0L L4 DSL	33-2373	
Caliber	1.8L L4 F/I	33-2362 ♦+	HP-1017 ¹
Caliber	2.0L L4 DSL	33-2362	
Caliber	2.0L L4 F/I	33-2362 ♦+	HP-1017 ¹
Caliber	2.4L L4 F/I	33-2362 ♦+	HP-1017 ¹
Caravan	2.4L L4 F/I	33-2206+	
Caravan	2.4L L4 F/I	33-2206+	HP-1002 ¹
Charger	2.7L V6 F/I	33-2295 ♦+	HP-2004 ¹
Charger	3.5L V6 F/I	33-2295 ♦+	HP-2004 ¹
Charger	5.7L V8 F/I	33-2295 ♦+	HP-2004 ¹
Charger	6.1L V8 F/I	33-2295 ♦+	HP-2004 ¹
Dakota	3.7L V6 F/I	33-2175 ♦	HP-2009 ¹
Dakota	4.7L V8 F/I	33-2175 ♦	HP-2004 ¹
Durango	4.7L V8 F/I	33-2288 ♦	HP-2004 ¹
Durango	5.7L V8 F/I	33-2288 ♦	HP-2004 ¹
Grand Caravan	3.3L V6 F/I	33-2206+	HP-1002 ¹
Grand Caravan	3.8L V6 F/I	33-2206+	HP-1002 ¹
Magnum	2.7L V6 F/I	33-2295 ♦+	HP-2004 ¹
Magnum	3.5L V6 F/I	33-2295 ♦+	HP-2004 ¹
Magnum	5.7L V8 F/I	33-2295 ♦+	HP-2004 ¹
Magnum	6.1L V8 F/I	33-2295 ♦+	HP-2004 ¹
Nitro	2.8L L4 DSL	33-2363	
Nitro	3.7L V6 F/I	33-2363 ♦	HP-2009 ¹
Nitro	4.0L V6 F/I	33-2363 ♦	HP-2004 ¹
Ram 1500 Pickup	3.7L V6 F/I	33-2247 ♦	HP-2009 ¹
Ram 1500 Pickup	4.7L V8 F/I	33-2247 ♦	HP-2004 ¹
Ram 1500 Pickup	5.7L V8 F/I	33-2247 ♦	HP-2004 ¹
Ram 2500 Pickup	5.7L V8 F/I	33-2247 ♦	HP-2004 ¹
Ram 2500 Pickup	5.9L L6 DSL	E-0776 ♦	HP-4003 ¹
Ram 2500 Pickup	6.7L L6 DSL	E-0784 ♦	HP-4003 ¹
Ram 3500 Pickup	5.7L V8 F/I	33-2247 ♦	HP-2004 ¹
Ram 3500 Pickup	5.9L L6 DSL	E-0776 ♦	HP-4003 ¹
Ram 3500 Pickup	6.7L L6 DSL	E-0784 ♦	HP-4003 ¹
Ram SRT-10	8.3L V10 F/I	33-2297	HP-2004 ¹
Sprinter 2500	3.0L V6 DSL	33-2391	PS-7028
Sprinter 3500	3.0L V6 DSL	33-2391	PS-7028
Sprinter 3500	3.5L V6 F/I	33-2391	

2006 DODGE			
Caliber	2.0L L4 DSL	33-2362	
Caliber	2.0L L4 F/I	33-2362	
Caliber	2.4L L4 F/I	33-2362	
Caravan	2.4L L4 F/I	33-2206+	HP-1002 ¹
Caravan	3.3L V6 F/I	33-2206+	HP-2004 ¹
Charger	2.7L V6 F/I	33-2295 ♦+	HP-2004 ¹
Charger	3.5L V6 F/I	33-2295 ♦+	HP-2004 ¹
Charger	5.7L V8 F/I	33-2295 ♦+	HP-2004 ¹
Charger	6.1L V8 F/I	33-2295 ♦+	HP-2004 ¹
Dakota	3.7L V6 F/I	33-2175 ♦	HP-2009 ¹
Dakota	4.7L V8 F/I	33-2175 ♦	HP-2004 ¹
Durango	3.7L V6 F/I	33-2288	HP-2009 ¹

* 2 filters required ♦ Intake System Available - see page 81 +Cabin Air Filter Available - see page 453 1- Pro Series Filter Available

DODGE

AIR & OIL FILTERS

Vehicle	Engine Type	Air Filter	Oil Filter
2006 DODGE			
Durango	4.7L V8 F/I	33-2288 ♦	HP-2004 ¹
Durango	5.7L V8 F/I	33-2288 ♦	HP-2004 ¹
Grand Caravan	3.3L V6 F/I	33-2206+	HP-2004 ¹
Grand Caravan	3.8L V6 F/I	33-2206+	HP-2004 ¹
Magnum	2.7L V6 F/I	33-2295 ♦+	HP-2004 ¹
Magnum	3.5L V6 F/I	33-2295 ♦+	HP-2004 ¹
Magnum	5.7L V8 F/I	33-2295 ♦+	HP-2004 ¹
Magnum	6.1L V8 F/I	33-2295 ♦+	HP-2004 ¹
Ram 1500 Pickup	3.7L V6 F/I	33-2247 ♦	HP-2009 ¹
Ram 1500 Pickup	4.7L V8 F/I	33-2247 ♦	HP-2004 ¹
Ram 1500 Pickup	5.7L V8 F/I	33-2247 ♦	HP-2004 ¹
Ram 2500 Pickup	4.7L V8 F/I		HP-2004 ¹
Ram 2500 Pickup	5.7L V8 F/I	33-2247 ♦	HP-2004 ¹
Ram 2500 Pickup	5.9L L6 DSL	E-0776 ♦	HP-4003 ¹
Ram 3500 Pickup	5.7L V8 F/I	33-2247 ♦	HP-2004 ¹
Ram 3500 Pickup	5.9L L6 DSL	E-0776 ♦	HP-4003 ¹
Ram SRT-10	8.3L V10 F/I	33-2297 ♦	HP-2004 ¹
Sprinter 2500	2.7L L5 DSL	33-2319	PS-7004
Sprinter 3500	2.7L L5 DSL	33-2319	PS-7004
Stratus	2.0L L4 F/I		HP-1002 ¹
Stratus	2.4L L4 F/I	E-1007	HP-1002 ¹
Stratus	2.7L V6 F/I	E-1007	HP-2004 ¹
Viper	8.3L V10 F/I		HP-2004 ¹

Vehicle	Engine Type	Air Filter	Oil Filter
2005 DODGE			
Caravan	2.4L L4 F/I	33-2206+	HP-1002 ¹
Caravan	3.3L V6 F/I	33-2206+	HP-2004 ¹
Dakota	3.7L V6 F/I	33-2175 ♦	HP-2009 ¹
Dakota	4.7L V8 F/I	33-2175 ♦	HP-2004 ¹
Durango	3.7L V6 F/I	33-2288	HP-2009 ¹
Durango	4.7L V8 F/I	33-2288 ♦	HP-2004 ¹
Durango	5.7L V8 F/I	33-2288 ♦	HP-2004 ¹
Grand Caravan	3.3L V6 F/I	33-2206+	HP-2004 ¹
Grand Caravan	3.8L V6 F/I	33-2206+	HP-2004 ¹
Magnum	2.7L V6 F/I	33-2295 ♦+	HP-2004 ¹
Magnum	3.5L V6 F/I	33-2295 ♦+	HP-2004 ¹
Magnum	5.7L V8 F/I	33-2295 ♦+	HP-2004 ¹
Neon	2.0L L4 F/I	E-1006 ♦	HP-1002 ¹
Neon SRT-4	2.4L L4 F/I	E-1006 ♦	HP-2009 ¹
Ram 1500 Pickup	3.7L V6 F/I	33-2247 ♦	HP-2009 ¹
Ram 1500 Pickup	4.7L V8 F/I	33-2247 ♦	HP-2004 ¹
Ram 1500 Pickup	5.7L V8 F/I	33-2247 ♦	HP-2004 ¹
Ram 2500 Pickup	4.7L V8 F/I		HP-2004 ¹
Ram 2500 Pickup	5.7L V8 F/I	33-2247 ♦	HP-2004 ¹
Ram 2500 Pickup	5.9L L6 DSL	E-0776 ♦	HP-4003 ¹
Ram 3500 Pickup	5.7L V8 F/I	33-2247 ♦	HP-2004 ¹
Ram 3500 Pickup	5.9L L6 DSL	E-0776 ♦	HP-4003 ¹
Ram SRT-10	8.3L V10 F/I	33-2297 ♦	HP-2004 ¹
Sprinter 2500	2.7L L5 DSL	33-2319	PS-7004
Sprinter 3500	2.7L L5 DSL	33-2319	PS-7004
Stratus	2.4L L4 F/I - Coupe	33-2072	HP-1010 ¹
Stratus	2.4L L4 F/I - Sedan	E-1007	HP-1002 ¹
Stratus	2.7L V6 F/I	E-1007	HP-2004 ¹
Stratus	3.0L V6 F/I	33-2072	HP-1004 ¹
SX 2.0	2.0L L4 F/I	E-1006	HP-1002 ¹
Viper	8.3L V10 F/I		HP-2004 ¹

Vehicle	Engine Type	Air Filter	Oil Filter
2004 DODGE			
Caravan	3.3L V6 F/I	33-2206+	HP-2004 ¹
Dakota	3.7L V6 F/I	33-2175	HP-2009 ¹
Dakota	4.7L V8 F/I	33-2175 ♦	HP-2004 ¹
Durango	3.7L V6 F/I	33-2288	HP-2009 ¹
Durango	4.7L V8 F/I	33-2288 ♦	HP-2004 ¹
Durango	5.7L V8 F/I	33-2288 ♦	HP-2004 ¹
Grand Caravan	3.3L V6 F/I	33-2206+	HP-2004 ¹

Vehicle	Engine Type	Air Filter	Oil Filter
2004 DODGE			
Grand Caravan	3.8L V6 F/I	33-2206+	HP-2004 ¹
Intrepid	2.7L V6 F/I	33-2136 ♦	HP-2004 ¹
Intrepid	3.5L V6 F/I	33-2136	HP-2004 ¹
Intrepid SXT	3.5L V6 F/I		HP-2004 ¹
Neon	2.0L L4 F/I	E-1006 ♦	HP-1002 ¹
Neon SRT-4	2.4L L4 F/I	E-1006 ♦	HP-2009 ¹
Ram 1500 Pickup	3.7L V6 F/I	33-2247 ♦	HP-2009 ¹
Ram 1500 Pickup	4.7L V8 F/I	33-2247 ♦	HP-2004 ¹
Ram 1500 Pickup	5.7L V8 F/I	33-2247 ♦	HP-2004 ¹
Ram 2500 Pickup	4.7L V8 F/I		HP-2004 ¹
Ram 2500 Pickup	5.7L V8 F/I	33-2247 ♦	HP-2004 ¹
Ram 2500 Pickup	5.9L L6 DSL	E-0776 ♦	HP-4003 ¹
Ram 3500 Pickup	5.7L V8 F/I	33-2247 ♦	HP-2004 ¹
Ram 3500 Pickup	5.9L L6 DSL	E-0776 ♦	HP-4003 ¹
Ram SRT-10	8.3L V10 F/I	33-2297 ♦	HP-2004 ¹
Sprinter 2500	2.7L L5 DSL	33-2319	PS-7004
Sprinter 3500	2.7L L5 DSL	33-2319	PS-7004
Stratus	2.4L L4 F/I - Coupe	33-2072	HP-1010 ¹
Stratus	2.4L L4 F/I - Sedan	E-1007	HP-1002 ¹
Stratus	2.7L V6 F/I	E-1007	HP-2004 ¹
Stratus	3.0L V6 F/I	33-2072	HP-1004 ¹
SX 2.0	2.0L L4 F/I	E-1006	HP-1002 ¹
Viper	8.3L V10 F/I		HP-2004 ¹

Vehicle	Engine Type	Air Filter	Oil Filter
2003 DODGE			
Caravan	3.3L V6 F/I	33-2206+	HP-2004 ¹
Dakota	3.9L V6 F/I	33-2175	HP-2004 ¹
Dakota	4.7L V8 F/I	33-2175 ♦	HP-2004 ¹
Dakota	5.9L V8 F/I	33-2175 ♦	HP-2004 ¹
Durango	4.7L V8 F/I	33-2175 ♦	HP-2004 ¹
Durango	5.9L V8 F/I	33-2175 ♦	HP-2004 ¹
Grand Caravan	3.3L V6 F/I	33-2206+	HP-2004 ¹
Grand Caravan	3.8L V6 F/I	33-2206+	HP-2004 ¹
Intrepid	2.7L V6 F/I	33-2136 ♦	HP-2004 ¹
Neon	2.0L L4 F/I	E-1006 ♦	HP-1002 ¹
Neon R/T	2.0L L4 F/I	E-1006 ♦	HP-1002 ¹
Neon SRT-4	2.4L L4 F/I	E-1006 ♦	HP-2009 ¹
Ram 1500 Pickup	3.7L V6 F/I	33-2247 ♦	HP-2009 ¹
Ram 1500 Pickup	4.7L V8 F/I	33-2247 ♦	HP-2004 ¹
Ram 1500 Pickup	5.7L V8 F/I	33-2247 ♦	HP-2004 ¹
Ram 1500 Pickup	5.9L V8 F/I	33-2247 ♦	HP-2004 ¹
Ram 1500 Van	5.2L V8 F/I	E-1100	HP-2004 ¹
Ram 2500 Pickup	4.7L V8 F/I		HP-2004 ¹
Ram 2500 Pickup	5.7L V8 F/I	33-2247 ♦	HP-2004 ¹
Ram 2500 Pickup	5.9L L6 DSL	E-0776 ♦	HP-4003 ¹
Ram 2500 Pickup	8.0L V10 F/I	33-2247	HP-2004 ¹
Ram 3500 Pickup	5.7L V8 F/I	33-2247 ♦	HP-2004 ¹
Ram 3500 Pickup	5.9L L6 DSL	E-0776 ♦	HP-4003 ¹
Ram 3500 Pickup	8.0L V10 F/I	33-2247	HP-2004 ¹
Sprinter 2500	2.7L L5 DSL		PS-7004
Stratus	2.4L L4 F/I - Coupe	33-2072	HP-1010 ¹
Stratus	2.4L L4 F/I - Sedan	E-1007	HP-1002 ¹
Stratus	3.0L V6 F/I	33-2072	HP-1004 ¹
SX 2.0	2.0L L4 F/I		HP-1002 ¹
Viper	8.3L V10 F/I		HP-2004 ¹

Vehicle	Engine Type	Air Filter	Oil Filter
2002 DODGE			
Caravan	2.4L L4 F/I	33-2206+	
Caravan	3.3L V6 F/I	33-2206+	HP-2004 ¹
Dakota	2.5L L4 F/I	33-2175	HP-2004 ¹
Dakota	3.9L V6 F/I	33-2175	HP-2004 ¹
Dakota	4.7L V8 F/I	33-2175 ♦	HP-2004 ¹
Dakota	5.9L V8 F/I	33-2175 ♦	HP-2004 ¹
Durango	4.7L V8 F/I	33-2175 ♦	HP-2004 ¹
Durango	5.9L V8 F/I	33-2175 ♦	HP-2004 ¹

* 2 filters required ♦ Intake System Available - see page 81 +Cabin Air Filter Available - see page 453 1- Pro Series Filter Available

AIR & OIL FILTERS

DODGE

Vehicle	Engine Type	Air Filter	Oil Filter
2002 DODGE			
Grand Caravan	3.3L V6 F/I	33-2206+	HP-2004 ¹
Grand Caravan	3.8L V6 F/I	33-2206+	HP-2004 ¹
Intrepid	2.7L V6 F/I	33-2136 ♦	HP-2004 ¹
Intrepid	3.5L V6 F/I	33-2136 ♦	HP-2004 ¹
Neon	2.0L L4 F/I	E-1006 ♦	HP-1002 ¹
Neon ACR	2.0L L4 F/I	E-1006 ♦	HP-1002 ¹
Neon R/T	2.0L L4 F/I	E-1006 ♦	HP-1002 ¹
Ram 1500 Pickup	3.7L V6 F/I	33-2247 ♦	HP-2009 ¹
Ram 1500 Pickup	4.7L V8 F/I	33-2247 ♦	HP-2004 ¹
Ram 1500 Pickup	5.9L V8 F/I	33-2247 ♦	HP-2004 ¹
Ram 1500 Van	3.9L V6 F/I		HP-2004 ¹
Ram 1500 Van	5.2L V8 F/I	E-1100	HP-2004 ¹
Ram 1500 Van	5.9L V8 F/I	E-1100	HP-2004 ¹
Ram 2500 Pickup	5.9L L6 DSL	33-2056 ♦	HP-4003 ¹
Ram 2500 Pickup	5.9L V8 F/I	33-2084 ♦	HP-2004 ¹
Ram 2500 Pickup	8.0L V10 F/I	33-2058 ♦	HP-2004 ¹
Ram 3500 Pickup	5.9L L6 DSL	33-2056 ♦	HP-4003 ¹
Ram 3500 Pickup	5.9L V8 F/I	33-2084	HP-2004 ¹
Ram 3500 Pickup	8.0L V10 F/I	33-2058 ♦	HP-2004 ¹
Stratus	2.4L L4 F/I - Coupe	33-2072	HP-1010 ¹
Stratus	2.4L L4 F/I - Sedan	E-1007	HP-1002 ¹
Stratus	2.7L V6 F/I	E-1007	HP-2004 ¹
Stratus	3.0L V6 F/I	33-2072	HP-1004 ¹
Viper	8.0L V10 F/I	33-2085*	HP-2004 ¹

Vehicle	Engine Type	Air Filter	Oil Filter
2001 DODGE			
Caravan	3.3L V6 F/I	33-2206+	HP-2004 ¹
Dakota	2.5L L4 F/I	33-2175	HP-2004 ¹
Dakota	3.9L V6 F/I	33-2175	HP-2004 ¹
Dakota	4.7L V8 F/I	33-2175 ♦	HP-2004 ¹
Dakota	5.9L V8 F/I	33-2175 ♦	HP-2004 ¹
Durango	4.7L V8 F/I	33-2175 ♦	HP-2004 ¹
Durango	5.9L V8 F/I	33-2175 ♦	HP-2004 ¹
Grand Caravan	3.3L V6 F/I	33-2206+	HP-2004 ¹
Grand Caravan	3.8L V6 F/I	33-2206+	HP-2004 ¹
Intrepid	2.7L V6 F/I	33-2136 ♦	HP-2004 ¹
Intrepid	3.5L V6 F/I	33-2136 ♦	HP-2004 ¹
Neon	2.0L L4 F/I	E-1006 ♦	HP-1002 ¹
Neon ACR	2.0L L4 F/I	E-1006 ♦	HP-1002 ¹
Neon R/T	2.0L L4 F/I	E-1006 ♦	HP-1002 ¹
Ram 1500 Pickup	3.9L V6 F/I	33-2084 ♦	HP-2004 ¹
Ram 1500 Pickup	5.2L V8 F/I	33-2084 ♦	HP-2004 ¹
Ram 1500 Pickup	5.9L V8 F/I	33-2084 ♦	HP-2004 ¹
Ram 1500 Van	3.9L V6 F/I		HP-2004 ¹
Ram 1500 Van	5.2L V8 F/I	E-1100	HP-2004 ¹
Ram 2500 Pickup	5.2L V8 F/I		HP-2004 ¹
Ram 2500 Pickup	5.9L L6 DSL	33-2056 ♦	HP-4003 ¹
Ram 2500 Pickup	5.9L V8 F/I	33-2084 ♦	HP-2004 ¹
Ram 2500 Pickup	8.0L V10 F/I	33-2058 ♦	HP-2004 ¹
Ram 3500 Pickup	5.9L L6 DSL	33-2056 ♦	HP-4003 ¹
Ram 3500 Pickup	5.9L V8 F/I	33-2084	HP-2004 ¹
Ram 3500 Pickup	8.0L V10 F/I	33-2058 ♦	HP-2004 ¹
Stratus	2.4L L4 F/I - Coupe	33-2072	HP-1010 ¹
Stratus	2.4L L4 F/I - Sedan	E-1007	HP-1002 ¹
Stratus	2.7L V6 F/I	E-1007	HP-2004 ¹
Stratus	3.0L V6 F/I	33-2072	HP-1004 ¹
Viper	8.0L V10 F/I	33-2085*	HP-2004 ¹

Vehicle	Engine Type	Air Filter	Oil Filter
2000 DODGE			
Avenger	2.5L V6 F/I	33-2072 ♦	HP-2004 ¹
Caravan	3.0L V6 F/I	33-2087	HP-2004 ¹
Caravan	3.3L V6 F/I	33-2087	HP-2004 ¹
Dakota	2.5L L4 F/I	33-2175	HP-2004 ¹
Dakota	3.9L V6 F/I	33-2175	HP-2004 ¹
Dakota	4.7L V8 F/I	33-2175 ♦	HP-2004 ¹

Vehicle	Engine Type	Air Filter	Oil Filter
2000 DODGE			
Dakota	5.9L V8 F/I	33-2175 ♦	HP-2004 ¹
Durango	4.7L V8 F/I	33-2175 ♦	HP-2004 ¹
Durango	5.2L V8 F/I	33-2175 ♦	HP-2004 ¹
Durango	5.9L V8 F/I	33-2175 ♦	HP-2004 ¹
Grand Caravan	3.3L V6 F/I	33-2087	HP-2004 ¹
Grand Caravan	3.8L V6 F/I	33-2087	HP-2004 ¹
Intrepid	2.7L V6 F/I	33-2136 ♦	HP-2004 ¹
Intrepid	3.2L V6 F/I	33-2136	HP-2004 ¹
Intrepid	3.5L V6 F/I	33-2136 ♦	HP-2004 ¹
Neon	2.0L L4 F/I	E-1006 ♦	HP-1002 ¹
Ram 1500 Pickup	3.9L V6 F/I	33-2084 ♦	HP-2004 ¹
Ram 1500 Pickup	5.2L V8 F/I	33-2084 ♦	HP-2004 ¹
Ram 1500 Pickup	5.9L V8 F/I	33-2084 ♦	HP-2004 ¹
Ram 1500 Van	5.2L V8 F/I		HP-2004 ¹
Ram 1500 Van	5.9L V8 F/I	E-1100	HP-2004 ¹
Ram 2500 Pickup	5.2L V8 F/I		HP-2004 ¹
Ram 2500 Pickup	5.9L L6 DSL	33-2056 ♦	HP-4003 ¹
Ram 2500 Pickup	5.9L V8 F/I	33-2084 ♦	HP-2004 ¹
Ram 2500 Pickup	8.0L V10 F/I	33-2058 ♦	HP-2004 ¹
Ram 3500 Pickup	5.9L L6 DSL	33-2056 ♦	HP-4003 ¹
Ram 3500 Pickup	5.9L V8 F/I	33-2084	HP-2004 ¹
Ram 3500 Pickup	8.0L V10 F/I	33-2058 ♦	HP-2004 ¹
Stratus	2.0L L4 F/I	33-2067	
Stratus	2.4L L4 F/I	33-2067	HP-1002 ¹
Stratus	2.5L V6 F/I	33-2067	HP-2004 ¹
Viper	8.0L V10 F/I	33-2085*	HP-2004 ¹

Vehicle	Engine Type	Air Filter	Oil Filter
1999 DODGE			
Avenger	2.5L V6 F/I	33-2072 ♦	HP-2004 ¹
Dakota	2.5L L4 F/I	33-2175	HP-2004 ¹
Dakota	3.9L V6 F/I	33-2175	HP-2004 ¹
Dakota	5.2L V8 F/I	33-2175 ♦	HP-2004 ¹
Dakota	5.9L V8 F/I	33-2175 ♦	HP-2004 ¹
Durango	3.9L V6 F/I	33-2175	
Durango	5.2L V8 F/I	33-2175 ♦	HP-2004 ¹
Durango	5.9L V8 F/I	33-2175 ♦	HP-2004 ¹
Grand Caravan	3.3L V6 F/I	33-2087	HP-2004 ¹
Grand Caravan	3.8L V6 F/I	33-2087	HP-2004 ¹
Intrepid	3.2L V6 F/I	33-2136	HP-2004 ¹
Neon	2.0L L4 F/I	33-2087	HP-1002 ¹
		33-2087 ♦	HP-1002 ¹
Ram 1500 Pickup	3.9L V6 F/I	33-2084 ♦	HP-2004 ¹
Ram 1500 Pickup	5.2L V8 F/I	33-2084 ♦	HP-2004 ¹
Ram 1500 Pickup	5.9L V8 F/I	33-2084 ♦	HP-2004 ¹
Ram 1500 Van	5.2L V8 F/I	E-1100	HP-2004 ¹
Ram 2500 Pickup	5.2L V8 F/I		HP-2004 ¹
Ram 2500 Pickup	5.9L L6 DSL	33-2056 ♦	HP-4003 ¹
Ram 2500 Pickup	5.9L V8 F/I	33-2084 ♦	HP-2004 ¹
Ram 2500 Pickup	8.0L V10 F/I	33-2058 ♦	HP-2004 ¹
Ram 3500 Pickup	5.9L L6 DSL	33-2056 ♦	HP-4003 ¹
Ram 3500 Pickup	5.9L V8 F/I	33-2084	HP-2004 ¹
Ram 3500 Pickup	8.0L V10 F/I	33-2058 ♦	HP-2004 ¹
Stratus	2.4L L4 F/I	33-2067	HP-1002 ¹
Viper	8.0L V10 F/I	33-2085*	HP-2004 ¹

Vehicle	Engine Type	Air Filter	Oil Filter
1998 DODGE			
Avenger	2.5L V6 F/I	33-2072 ♦	HP-2004 ¹
Dakota	2.5L L4 F/I	33-2175	HP-2004 ¹
Dakota	3.9L V6 F/I	33-2175	HP-2004 ¹
Dakota	5.2L V8 F/I	33-2175 ♦	HP-2004 ¹
Dakota	5.9L V8 F/I	33-2175 ♦	HP-2004 ¹
Durango	3.9L V6 F/I	33-2175	HP-2004 ¹
Durango	5.2L V8 F/I	33-2175 ♦	HP-2004 ¹
Durango	5.9L V8 F/I	33-2175 ♦	HP-2004 ¹
Grand Caravan	3.3L V6 F/I	33-2087	

* 2 filters required ♦ Intake System Available - see page 81 +Cabin Air Filter Available - see page 453 1- Pro Series Filter Available

DODGE

AIR & OIL FILTERS

Vehicle	Engine Type	Air Filter	Oil Filter
1998 DODGE			
Intrepid	3.2L V6 F/I	33-2136	HP-2004 ¹
Neon	2.0L L4 F/I	33-2087	HP-1002 ¹
		33-2087 ♦	HP-1002 ¹
Ram 1500 Pickup	3.9L V6 F/I	33-2084 ♦	HP-2004 ¹
Ram 1500 Pickup	5.2L V8 F/I	33-2084 ♦	HP-2004 ¹
Ram 1500 Pickup	5.9L V8 F/I	33-2084 ♦	HP-2004 ¹
Ram 2500 Pickup	5.9L L6 DSL	33-2056 ♦	HP-4003 ¹
Ram 2500 Pickup	5.9L V8 F/I	33-2084 ♦	HP-2004 ¹
Ram 2500 Pickup	8.0L V10 F/I	33-2058 ♦	HP-2004 ¹
Ram 3500 Pickup	5.9L L6 DSL	33-2056 ♦	HP-4003 ¹
Ram 3500 Pickup	5.9L V8 F/I	33-2084	HP-2004 ¹
Ram 3500 Pickup	8.0L V10 F/I	33-2058 ♦	HP-2004 ¹
Stratus	2.4L L4 F/I	33-2067	HP-1002 ¹
Viper	8.0L V10 F/I	33-2085* ♦	HP-2004 ¹

Vehicle	Engine Type	Air Filter	Oil Filter
1997 DODGE			
Avenger	2.5L V6 F/I	33-2072	HP-2004 ¹
Dakota	2.5L L4 F/I	33-2175	HP-2004 ¹
Dakota	3.9L V6 F/I	33-2175	HP-2004 ¹
Dakota	5.2L V8 F/I	33-2175 ♦	HP-2004 ¹
Grand Caravan	3.3L V6 F/I	33-2087	HP-2004 ¹
Intrepid	3.3L V6 F/I	33-2066-1	HP-2004 ¹
Intrepid	3.5L V6 F/I	33-2066-1	HP-2004 ¹
Neon	2.0L L4 F/I	33-2087	HP-1002 ¹
		33-2087 ♦	HP-1002 ¹
Ram 1500 Pickup	3.9L V6 F/I	33-2084 ♦	HP-2004 ¹
Ram 1500 Pickup	5.2L V8 F/I	33-2084 ♦	HP-2004 ¹
Ram 1500 Pickup	5.9L V8 F/I	33-2084 ♦	HP-2004 ¹
Ram 2500 Pickup	5.9L L6 DSL	33-2056 ♦	HP-4003 ¹
Ram 2500 Pickup	5.9L V8 F/I	33-2084 ♦	HP-2004 ¹
Ram 2500 Pickup	8.0L V10 F/I	33-2058 ♦	HP-2004 ¹
Ram 3500 Pickup	5.9L L6 DSL	33-2056 ♦	HP-4003 ¹
Ram 3500 Pickup	5.9L V8 F/I	33-2084	HP-2004 ¹
Ram 3500 Pickup	8.0L V10 F/I	33-2058 ♦	
Stratus	2.4L L4 F/I	33-2067	
Viper	8.0L V10 F/I	33-2085* ♦	HP-2004 ¹

Vehicle	Engine Type	Air Filter	Oil Filter
1996 DODGE			
Dakota	2.5L L4 F/I	33-2006	HP-2004 ¹
Dakota	3.9L V6 F/I	E-1100 ♦	HP-2004 ¹
Dakota	5.2L V8 F/I	E-1100 ♦	HP-2004 ¹
Intrepid	3.3L V6 F/I	33-2066-1	HP-2004 ¹
Intrepid	3.5L V6 F/I	33-2066-1	HP-2004 ¹
Neon	2.0L L4 F/I	33-2087	HP-1002 ¹
		33-2087 ♦	HP-1002 ¹
Ram 1500 Pickup	3.9L V6 F/I	33-2084 ♦	HP-2004 ¹
Ram 1500 Pickup	5.2L V8 F/I	33-2084 ♦	HP-2004 ¹
Ram 1500 Pickup	5.9L V8 F/I	33-2084 ♦	HP-2004 ¹
Ram 2500 Pickup	5.2L V8 F/I	33-2084 ♦	HP-2004 ¹
Ram 2500 Pickup	5.9L L6 DSL	33-2056 ♦	HP-4003 ¹
Ram 2500 Pickup	5.9L V8 F/I	33-2084 ♦	HP-2004 ¹
Ram 2500 Pickup	8.0L V10 F/I	33-2058 ♦	HP-2004 ¹
Ram 3500 Pickup	5.9L L6 DSL	33-2056 ♦	HP-4003 ¹
Ram 3500 Pickup	5.9L V8 F/I	33-2084	HP-2004 ¹
Ram 3500 Pickup	8.0L V10 F/I	33-2058 ♦	HP-2004 ¹
Stealth	3.0L V6 F/I	33-2045 ♦	
Viper	8.0L V10 F/I	33-2085* ♦	HP-2004 ¹

Vehicle	Engine Type	Air Filter	Oil Filter
1995 DODGE			
Dakota	2.5L L4 F/I	33-2006	
Dakota	3.9L V6 F/I	E-1100 ♦	HP-2004 ¹
Dakota	5.2L V8 F/I	E-1100 ♦	HP-2004 ¹
Grand Caravan	3.3L V6 F/I		HP-2004 ¹
Neon	2.0L L4 F/I	33-2087	HP-1002 ¹
		33-2087 ♦	HP-1002 ¹
Ram 1500 Pickup	3.9L V6 F/I	33-2084 ♦	HP-2004 ¹

Vehicle	Engine Type	Air Filter	Oil Filter
1995 DODGE			
Ram 1500 Pickup	5.2L V8 F/I	33-2084 ♦	HP-2004 ¹
Ram 1500 Pickup	5.9L V8 F/I	33-2084 ♦	HP-2004 ¹
Ram 2500 Pickup	5.2L V8 F/I		HP-2004 ¹
Ram 2500 Pickup	5.9L L6 DSL	33-2056 ♦	HP-4003 ¹
Ram 2500 Pickup	5.9L V8 F/I	33-2084 ♦	HP-2004 ¹
Ram 2500 Pickup	8.0L V10 F/I	33-2058 ♦	HP-2004 ¹
Ram 3500 Pickup	5.9L L6 DSL	33-2056 ♦	HP-4003 ¹
Ram 3500 Pickup	5.9L V8 F/I	33-2084	HP-2004 ¹
Ram 3500 Pickup	8.0L V10 F/I	33-2058 ♦	HP-2004 ¹
Stealth	3.0L V6 F/I	33-2045 ♦	HP-1004 ¹
Viper	8.0L V10 F/I	33-2085* ♦	HP-2004 ¹

Vehicle	Engine Type	Air Filter	Oil Filter
1994 DODGE			
B250 Van	5.2L V8 F/I	E-1100	HP-2004 ¹
Dakota	3.9L V6 F/I	E-1100 ♦	HP-2004 ¹
Dakota	5.2L V8 F/I	E-1100 ♦	HP-2004 ¹
Ram 1500 Pickup	3.9L V6 F/I	33-2084 ♦	HP-2004 ¹
Ram 1500 Pickup	5.2L V8 F/I	33-2084 ♦	HP-2004 ¹
Ram 1500 Pickup	5.9L V8 F/I	33-2084 ♦	HP-2004 ¹
Ram 2500 Pickup	5.9L L6 DSL	33-2056 ♦	HP-4003 ¹
Ram 2500 Pickup	5.9L V8 F/I	33-2084	HP-2004 ¹
Ram 2500 Pickup	8.0L V10 F/I	33-2058 ♦	HP-2004 ¹
Ram 3500 Pickup	5.9L L6 DSL	33-2056 ♦	HP-4003 ¹
Ram 3500 Pickup	5.9L V8 F/I	33-2084	HP-2004 ¹
Stealth	3.0L V6 F/I	33-2045 ♦	HP-1004 ¹
Viper	8.0L V10 F/I	33-2085*	HP-2004 ¹

Vehicle	Engine Type	Air Filter	Oil Filter
1993 DODGE			
D150	5.2L V8 F/I	E-1100 ♦	HP-2004 ¹
D250	5.9L L6 DSL	E-1023	HP-4003 ¹
D250	5.9L V8 F/I	E-1100 ♦	HP-2004 ¹
D350	5.9L L6 DSL	E-1023	HP-4003 ¹
D350	5.9L V8 F/I	E-1100 ♦	HP-2004 ¹
Dakota	3.9L V6 F/I	E-1100 ♦	HP-2004 ¹
Dakota	5.2L V8 F/I	E-1100 ♦	HP-2004 ¹
Ramcharger	5.9L V8 F/I	E-1100	HP-2004 ¹
Stealth	3.0L V6 F/I	33-2045 ♦	HP-1004 ¹
Viper	8.0L V10 F/I	33-2085*	HP-2004 ¹
W150	5.2L V8 F/I	E-1100 ♦	HP-2004 ¹
W250	5.2L V8 F/I	E-1100 ♦	HP-2004 ¹
W250	5.9L L6 DSL	E-1023	HP-4003 ¹
W250	5.9L V8 F/I	E-1100 ♦	HP-2004 ¹
W350	5.9L L6 DSL	E-1023	HP-4003 ¹
W350	5.9L V8 F/I	E-1100 ♦	HP-2004 ¹

Vehicle	Engine Type	Air Filter	Oil Filter
1992 DODGE			
D150	5.2L V8 F/I	E-1100 ♦	HP-2004 ¹
D250	5.9L L6 DSL	E-1023	HP-4003 ¹
D250	5.9L V8 F/I	E-1100 ♦	HP-2004 ¹
D350	5.9L L6 DSL	E-1023	HP-4003 ¹
D350	5.9L V8 F/I	E-1100 ♦	HP-2004 ¹
Dakota	3.9L V6 F/I	E-1100 ♦	HP-2004 ¹
Dakota	5.2L V8 F/I	E-1100 ♦	HP-2004 ¹
Ram 50	2.4L L4 F/I	33-2045	
Ramcharger	5.9L V8 F/I	E-1100 ♦	HP-2004 ¹
Stealth	3.0L V6 F/I	33-2045 ♦	HP-1004 ¹
W150	5.2L V8 F/I	E-1100 ♦	HP-2004 ¹
W250	5.9L L6 DSL	E-1023	HP-4003 ¹
W250	5.9L V8 F/I	E-1100 ♦	HP-2004 ¹
W350	5.9L L6 DSL	E-1023	HP-4003 ¹
W350	5.9L V8 F/I	E-1100 ♦	HP-2004 ¹

Vehicle	Engine Type	Air Filter	Oil Filter
1991 DODGE			
D250	5.9L L6 DSL	E-1023	HP-4003 ¹
D250	5.9L V8 F/I	E-1100	HP-2004 ¹
D350	5.9L L6 DSL	E-1023	HP-4003 ¹

* 2 filters required ♦ Intake System Available - see page 81 +Cabin Air Filter Available - see page 453 1- Pro Series Filter Available

AIR & OIL FILTERS

DODGE

Vehicle	Engine Type	Air Filter	Oil Filter
1991 DODGE			
D350	5.9L V8 F/I	E-1100	HP-2004 ¹
Dakota	3.9L V6 F/I	E-1100	HP-2004 ¹
Dakota	5.2L V8 F/I	E-1100	HP-2004 ¹
Stealth	3.0L V6 F/I	33-2045 ♦	HP-1004 ¹
W150	5.2L V8 F/I	E-1100	HP-2004 ¹
W250	5.9L L6 DSL	E-1023	HP-4003 ¹
W250	5.9L V8 F/I	E-1100	HP-2004 ¹
W350	5.9L L6 DSL	E-1023	HP-4003 ¹
W350	5.9L V8 F/I	E-1100	HP-2004 ¹

1990 DODGE			
D150	5.2L V8 F/I	E-1100	HP-2004 ¹
D250	5.9L L6 DSL	E-1023	HP-4003 ¹
D250	5.9L V8 CARB		HP-3001 ¹
D250	5.9L V8 F/I	E-1100	HP-2004 ¹
D350	5.9L L6 DSL	E-1023	HP-4003 ¹
D350	5.9L V8 F/I	E-1100	HP-2004 ¹
Dakota	3.9L V6 F/I	E-1100	HP-1002 ¹
Ramcharger	5.2L V8 F/I	E-1100	HP-2004 ¹
Ramcharger	5.9L V8 CARB		HP-2004 ¹
Ramcharger	5.9L V8 F/I		HP-2004 ¹
W150	5.2L V8 F/I	E-1100	HP-2004 ¹
W250	5.9L L6 DSL	E-1023	HP-4003 ¹
W250	5.9L V8 F/I	E-1100	HP-2004 ¹
W350	5.9L L6 DSL	E-1023	HP-4003 ¹
W350	5.9L V8 F/I	E-1100	HP-2004 ¹

1989 DODGE			
D100	3.9L V6 F/I		HP-1002 ¹
D100	5.2L V8 F/I	E-1100	HP-2004 ¹
D150	5.2L V8 F/I	E-1100	HP-2004 ¹
D250	5.9L L6 DSL	E-1023	HP-4003 ¹
D250	5.9L V8 F/I	E-1100	HP-2004 ¹
D350	5.9L L6 DSL	E-1023	HP-4003 ¹
Dakota	3.9L V6 F/I	E-1290	HP-1002 ¹
Dakota	5.2L V8 F/I	E-1290	HP-2004 ¹
Raider	3.0L V6 F/I	E-2875	HP-1005
Ramcharger	5.2L V8 F/I	E-1100	HP-2004 ¹
W100	5.2L V8 F/I		HP-2004 ¹
W150	5.2L V8 F/I	E-1100	HP-2004 ¹
W250	5.9L L6 DSL	E-1023	HP-4003 ¹
W250	5.9L V8 F/I	E-1100	HP-2004 ¹
W350	5.9L L6 DSL	E-1023	HP-4003 ¹

1988 DODGE			
D100	5.2L V8 F/I	E-1290	HP-2004 ¹
D150	5.2L V8 F/I	E-1290	HP-2004 ¹
D150	5.9L V8 CARB	E-1100	HP-2004 ¹
Dakota	3.9L V6 F/I	E-1290	HP-1002 ¹
Daytona	2.2L L4 F/I	33-2006	
Ramcharger	5.2L V8 F/I	E-1290	HP-2004 ¹
Ramcharger	5.9L V8 CARB		HP-2004 ¹
W150	5.2L V8 F/I	E-1290	HP-2004 ¹

1987 DODGE			
Charger	2.2L L4 F/I	33-2006	
D150	5.2L V8 CARB	E-1100	HP-2004 ¹
Dakota	3.9L V6 CARB	E-1100	HP-1002 ¹
Raider	2.6L L4 CARB	E-2723	
Ramcharger	5.2L V8 CARB	E-1100	HP-2004 ¹
W150	5.2L V8 CARB	E-1100	HP-2004 ¹

1986 DODGE			
Charger	2.2L L4 CARB	33-2006	HP-1002 ¹
Charger	2.2L L4 F/I	33-2006	HP-1002 ¹
D150	5.2L V8 CARB	E-1100	HP-2004 ¹

Vehicle	Engine Type	Air Filter	Oil Filter
1986 DODGE			
Ramcharger	5.2L V8 CARB	E-1100	HP-2004 ¹

1985 DODGE			
D150	5.2L V8 CARB	E-1100	HP-2004 ¹
Ramcharger	5.2L V8 CARB		HP-2004 ¹
W150	5.2L V8 CARB	E-1100	HP-2004 ¹

1984 DODGE			
D150	5.2L V8 CARB	E-1100	HP-2004 ¹

1979 DODGE			
D150	360 V8 2 BBL.		HP-2004 ¹
D150	360 V8 4 BBL.	E-1530	HP-2004 ¹

1978 DODGE			
D150	360 V8 CARB	E-1250	

1977 DODGE			
Ramcharger	360 V8 CARB	E-1250	

1974 DODGE			
Charger	400 V8 CARB	E-1530	HP-2004 ¹
Charger	440 V8 CARB	E-1530	HP-2004 ¹

1973 DODGE			
Challenger	340 V8 CARB	E-1530	HP-2004 ¹
Charger	440 V8 CARB	E-1530	HP-2004 ¹

1972 DODGE			
Charger	440 V8 3x2BBL.	E-1980	HP-3001 ¹
Charger	440 V8 4 BBL.	E-1530	HP-3001 ¹
D200 Pickup	400 V8 CARB - w/3-1/2 inch Tall Filter	E-1250	
Dart	225 L6 CARB	E-1000	HP-3001 ¹
Dart	318 V8 CARB	E-1100	HP-3001 ¹
Dart	340 V8 CARB	E-1530	HP-3001 ¹

1971 DODGE			
Challenger	340 V8 3x2BBL.	E-1980	HP-3001 ¹
Challenger	340 V8 4 BBL.		HP-3001 ¹
Challenger	440 V8 CARB	E-1980	HP-3001 ¹
Charger	440 V8 3x2BBL.	E-1980	HP-3001 ¹
Charger	440 V8 4 BBL.	E-1530	HP-3001 ¹
Dart	340 V8 CARB	E-1530	HP-3001 ¹

1970 DODGE			
Challenger	340 V8 3x2BBL.	E-1980	HP-3001 ¹
Challenger	340 V8 4 BBL.	E-1530	HP-3001 ¹
Challenger	383 V8 CARB	E-1530	HP-3001 ¹
Challenger	426 V8 CARB	E-1980	HP-3001 ¹
Challenger	440 V8 3x2BBL.	E-1980	HP-3001 ¹
Challenger	440 V8 4 BBL.		HP-3001 ¹
Challenger	440 V8 4 BBL. - Dual Snorkel	E-1530	HP-3001
Challenger	440 V8 4 BBL. - single snorkel	E-1540	HP-3001
Charger	318 V8 CARB		HP-3001 ¹
Charger	383 V8 CARB	E-1530	HP-3001 ¹
Charger	426 V8 CARB	E-1980	HP-3001 ¹
Charger	440 V8 3x2BBL.	E-1980	HP-3001 ¹
Charger	440 V8 4 BBL.		HP-3001 ¹
Charger	440 V8 4 BBL. - Dual Snorkel	E-1530	HP-3001
Charger	440 V8 4 BBL. - single snorkel	E-1540	HP-3001
Coronet	440 V8 3x2BBL.	E-1980	HP-3001 ¹
Coronet	440 V8 4 BBL.		HP-3001 ¹
Coronet	440 V8 4 BBL. - Dual Snorkel	E-1530	HP-3001
Coronet	440 V8 4 BBL. - single snorkel	E-1540	HP-3001
Dart	340 V8 CARB	E-1530	HP-3001 ¹

* 2 filters required ♦ Intake System Available - see page 81 +Cabin Air Filter Available - see page 453 1- Pro Series Filter Available

DODGE

AIR & OIL FILTERS

Vehicle	Engine Type	Air Filter	Oil Filter
1969 DODGE			
Charger	318 V8 CARB	E-1100	HP-3001 ¹
Charger	383 V8 CARB		HP-3001 ¹
Charger	383 V8 CARB - w/air control	E-1450	HP-3001
Charger	383 V8 CARB - w/o air control	E-1540	HP-3001
Charger	426 V8 CARB	E-1980	HP-3001 ¹
Charger	440 V8 CARB		HP-3001 ¹
Charger	440 V8 CARB - w/o snorkel	E-1530	HP-3001
Charger	440 V8 CARB - w/snorkel	E-1540	HP-3001
Coronet	383 V8 CARB	E-1530	HP-3001 ¹
Coronet	426 V8 CARB	E-1980	HP-3001 ¹
Coronet	440 V8 CARB		HP-3001 ¹
Coronet	440 V8 CARB - w/Ram Air	E-1980	HP-3001
Dart	340 V8 CARB	E-1530	HP-3001 ¹

1968 DODGE			
Charger	383 V8 CARB	E-1540	HP-3001 ¹
Charger	426 V8 CARB	E-1980	
Charger	440 V8 CARB		HP-3001 ¹
Charger	440 V8 CARB - w/o snorkel	E-1530	HP-3001
Charger	440 V8 CARB - w/snorkel	E-1540	HP-3001
Coronet	440 V8 CARB		HP-3001 ¹
Coronet	440 V8 CARB - w/o snorkel	E-1530	HP-3001
Coronet	440 V8 CARB - w/snorkel	E-1540	HP-3001
Dart	340 V8 CARB	E-1530	HP-3001 ¹

1967 DODGE			
Coronet	426 V8 CARB	E-1980	HP-3001 ¹
Coronet	440 V8 CARB		HP-3001 ¹

1966 DODGE			
Charger	426 V8 CARB	E-1980	
Coronet	426 V8 CARB	E-1980	HP-3001 ¹

1964 DODGE			
W100 Series	383 V8 CARB	E-1957	

2015 DUCATI			
899 Panigale	899	DU-1112	KN-159
899 Panigale	899 - Race Specific	DU-1112R	KN-159
1200 Panigale	1285		KN-159
1200 Panigale S	1285		KN-159
1299 Panigale	1285	DU-1112	
1299 Panigale R	1285	DU-1112	
1299 Panigale S	1285	DU-1112	
Diavel	1198	DU-1007	KN-153
Diavel	1198 - Race Specific	DU-1007R	KN-153
Diavel Carbon	1198	DU-1007	KN-153
Diavel Carbon	1198 - Race Specific	DU-1007R	KN-153
Diavel Titanium	1198	DU-1007	KN-153
Diavel Titanium	1198 - Race Specific	DU-1007R	KN-153
Hypermotard	821	DU-1006	
Hypermotard SP	821	DU-1006	
Monster 821	821	DU-1006	KN-153
Monster 821 Dark	821	DU-1006	KN-153
Monster 821 Stripe	821	DU-1006	KN-153
Monster 1200	1198	DU-1006	KN-153
Monster 1200s	1198	DU-1006	KN-153
Monster 1200s Stripe	1198	DU-1006	KN-153
Multistrada 1200	1198		KN-153
Multistrada 1200s	1198	DU-1112	KN-153
Panigale R	1198		KN-159

Vehicle	Engine Type	Air Filter	Oil Filter
2015 DUCATI			
Scrambler Classic	803		KN-153
Scrambler Full Throttle	803		KN-153
Scrambler Icon	803		KN-153
Scrambler Urban Enduro	803		KN-153
Streetfighter	848	DU-1007	KN-153
Streetfighter	848 - Race Specific	DU-1007R	KN-153

2014 DUCATI			
899 Panigale	899	DU-1112	
899 Panigale	899 - Race Specific	DU-1112R	
1199 Panigale	1199	DU-1112	KN-159
1199 Panigale	1199 - Race Specific	DU-1112R	KN-159
1199 Panigale R	1199	DU-1112	KN-159
1199 Panigale R	1199 - Race Specific	DU-1112R	KN-159
1199 Panigale S	1199	DU-1112	KN-159
1199 Panigale S	1199 - Race Specific	DU-1112R	KN-159
1199 Panigale S Tricolore	1199	DU-1112	KN-159
1199 Panigale S Tricolore	1199 - Race Specific	DU-1112R	KN-159
Diavel	1198	DU-1007	KN-153
Diavel	1198 - Race Specific	DU-1007R	KN-153
Diavel Carbon	1198	DU-1007	KN-153
Diavel Carbon	1198 - Race Specific	DU-1007R	KN-153
Diavel Dark	1198	DU-1007	KN-153
Diavel Dark	1198 - Race Specific	DU-1007R	KN-153
Diavel Strada	1198	DU-1007	KN-153
Diavel Strada	1198 - Race Specific	DU-1007R	KN-153
Hypermotard	821	DU-1006	KN-153
Hypermotard SP	821	DU-1006	KN-153
Hyperstrada	821	DU-1006	KN-153
Monster 696	696	DU-6908	KN-153
Monster 696 ABS	696	DU-6908	KN-153
Monster 796	803	DU-1006	KN-153
Monster 796 ABS	803	DU-1006	KN-153
Monster 1200	1198	DU-1006	KN-153
Monster 1200s	1198	DU-1006	KN-153
Multistrada 1200	1198	DU-1210	KN-153
Multistrada 1200s Granturismo	1198	DU-1210	KN-153
Multistrada 1200s Pikes Peak	1198	DU-1210	KN-153
Multistrada 1200s Sport	1198	DU-1210	KN-153
Multistrada 1200s Touring	1198	DU-1210	KN-153
Streetfighter	848	DU-1007	KN-153
Streetfighter	848 - Race Specific	DU-1007R	KN-153

2013 DUCATI			
848 EVO	848	DU-1007	KN-153
848 EVO	848 - Race Specific	DU-1007R	KN-153
899 Panigale	899	DU-1112	
899 Panigale	899 - Race Specific	DU-1112R	
1199 Panigale	1199	DU-1112	KN-159
1199 Panigale	1199 - Race Specific	DU-1112R	KN-159
1199 Panigale R	1199	DU-1112	KN-159
1199 Panigale R	1199 - Race Specific	DU-1112R	KN-159
1199 Panigale S	1199	DU-1112	KN-159
1199 Panigale S	1199 - Race Specific	DU-1112R	KN-159
1199 Panigale S Tricolore	1199	DU-1112	KN-159
1199 Panigale S Tricolore	1199 - Race Specific	DU-1112R	KN-159
Diavel	1198	DU-1007	KN-153

* 2 filters required ♦ Intake System Available - see page 81 +Cabin Air Filter Available - see page 453 1- Pro Series Filter Available

AIR & OIL FILTERS

DUCATI

Vehicle	Engine Type	Air Filter	Oil Filter	Vehicle	Engine Type	Air Filter	Oil Filter
2013 DUCATI				2011 DUCATI			
Diavel	1198 - Race Specific	DU-1007R	KN-153	848 EVO	848 - Race Specific	DU-1007R	KN-153
Diavel Carbon	1198	DU-1007	KN-153	1198	1198	DU-1007	KN-153
Diavel Carbon	1198 - Race Specific	DU-1007R	KN-153	1198R Corse	1198	DU-1007	KN-153
Diavel Dark	1198	DU-1007	KN-153	1198S	1198	DU-1007	KN-153
Diavel Dark	1198 - Race Specific	DU-1007R	KN-153	1198SP	1198	DU-1007	KN-153
Diavel Strada	1198	DU-1007	KN-153	1198SP	1198 - Race Specific	DU-1007R	KN-153
Diavel Strada	1198 - Race Specific	DU-1007R	KN-153	Diavel	1198	DU-1007	KN-153
Hypermotard	821	DU-1006	KN-153	Diavel	1198 - Race Specific	DU-1007R	KN-153
Hypermotard 796	796		KN-153	Diavel Carbon	1198	DU-1007	KN-153
Hypermotard SP	821	DU-1006	KN-153	Diavel Carbon	1198 - Race Specific	DU-1007R	KN-153
Hyperstrada	821	DU-1006	KN-153	Hypermotard 796	796	DU-1006	KN-153
Monster 696	696	DU-6908	KN-153	Hypermotard 1100	1100		KN-153
Monster 796	796	DU-6908	KN-153	EVO			
Monster 1100 EVO	1100	DU-6908	KN-153	Hypermotard 1100	1100		KN-153
Multistrada 1200	1198	DU-1210	KN-153	EVO SP			
Multistrada 1200s	1198	DU-1210	KN-153	Monster 696	696	DU-6908	KN-153
Granturismo				Monster 796	796	DU-6908	KN-153
Multistrada 1200s	1198	DU-1210	KN-153	Monster 1100s	1100	DU-6908	KN-153
Pikes Peak				Multistrada 1200	1198		KN-153
Multistrada 1200s	1198	DU-1210	KN-153	Multistrada 1200	1198 - Non-US, Exc. ABS	DU-1007	KN-153
Sport							
Multistrada 1200s	1198	DU-1210	KN-153	Multistrada 1200	1198 - US	DU-1210	KN-153
Touring				Multistrada 1200s	1198	DU-1210	KN-153
Streetfighter	848	DU-1007	KN-153	2010 DUCATI			
Streetfighter S	1099		KN-153	848 EVO	848	DU-1007	KN-153
2012 DUCATI				1198	1198	DU-1007	KN-153
848 EVO	848	DU-1007	KN-153	1198R Corse	1198	DU-1007	KN-153
848 EVO	848 - Race Specific	DU-1007R	KN-153	1198S	1198	DU-1007	KN-153
1199 Panigale	1199	DU-1112	KN-159	1198S Corse	1198	DU-1007	KN-153
1199 Panigale	1199 - Race Specific	DU-1112R	KN-159	1198S Corse	1198 - Race Specific	DU-1007R	KN-153
1199 Panigale S	1199	DU-1112	KN-159	Hypermotard 796	796	DU-1006	KN-153
1199 Panigale S	1199 - Race Specific	DU-1112R	KN-159	Hypermotard 1100	1100		KN-153
1199 Panigale S	1199	DU-1112	KN-159	EVO			
Tricolore				Hypermotard 1100	1100	DU-1006	KN-153
1199 Panigale S	1199 - Race Specific	DU-1112R	KN-159	EVO SP			
Tricolore				Monster 696	696	DU-6908	KN-153
Diavel	1198	DU-1007	KN-153	Monster 1100s	1100	DU-6908	KN-153
Diavel	1198 - Race Specific	DU-1007R	KN-153	Multistrada 1200s	1200	DU-1210	KN-153
Diavel AMG	1198	DU-1007	KN-153	Multistrada 1200s	1198	DU-1210	KN-153
Diavel AMG	1198 - Race Specific	DU-1007R	KN-153	Sport			
Diavel Carbon	1198	DU-1007	KN-153	Multistrada 1200s	1198	DU-1210	KN-153
Diavel Carbon	1198 - Race Specific	DU-1007R	KN-153	Touring			
Diavel Cromo	1198	DU-1007	KN-153	Streetfighter	1100	DU-1007	KN-153
Diavel Cromo	1198 - Race Specific	DU-1007R	KN-153	Streetfighter	1100 - Race Specific	DU-1007R	KN-153
Hypermotard 796	796	DU-1006	KN-153	Streetfighter S	1100	DU-1007	KN-153
Hypermotard 1100	1100	DU-1006	KN-153	Streetfighter S	1100 - Race Specific	DU-1007R	KN-153
EVO				2009 DUCATI			
Hypermotard 1100	1100	DU-1006	KN-153	848	848	DU-1007	KN-153
EVO SP				848	848 - Race Specific	DU-1007R	KN-153
Monster 696	696	DU-6908	KN-153	1098R	1198	DU-1007	
Monster 795	795		KN-153	1098R Bayliss LE	1198	DU-1007	
Monster 796	796	DU-6908	KN-153	1198	1198	DU-1007	KN-153
Monster 1100 EVO	1100	DU-6908	KN-153	1198	1198 - Race Specific	DU-1007R	KN-153
Multistrada 1200	1198	DU-1210	KN-153	1198S	1198	DU-1007	KN-153
Multistrada 1200s	1198	DU-1210	KN-153	1198S	1198 - Race Specific	DU-1007R	KN-153
Pikes Peak				Hypermotard 1100	1079		KN-153
Multistrada 1200s	1198	DU-1210	KN-153	Hypermotard 1100s	1079	DU-1006	KN-153
Sport				Monster 696	696	DU-6908	KN-153
Multistrada 1200s	1198	DU-1210	KN-153	Monster 1100	1100	DU-6908	KN-153
Touring				Monster 1100s	1100	DU-6908	KN-153
Streetfighter	848	DU-1007	KN-153	Multistrada 1100s	1078	DU-1004	KN-153
Streetfighter	848 - Race Specific	DU-1007R	KN-153	Sport 1000S	992	DU-1006	KN-153
Streetfighter S	1099	DU-1007	KN-153	2008 DUCATI			
2011 DUCATI				848	848	DU-1007	KN-153
848 EVO	848	DU-1007	KN-153				

* 2 filters required ♦ Intake System Available - see page 81 +Cabin Air Filter Available - see page 453 1- Pro Series Filter Available

Partial Listing - Complete List of Vehicles and Applications at knfilters.com

DUCATI

AIR & OIL FILTERS

Vehicle	Engine Type	Air Filter	Oil Filter	Vehicle	Engine Type	Air Filter	Oil Filter
2008 DUCATI				2005 DUCATI			
848	848 - Race Specific	DU-1007R	KN-153	Monster 620 Dark	620	DU-9001	KN-153
1098	1098	DU-1007	KN-153	Monster 620 Dark i.e.	620		KN-153
1098	1098 - Race Specific	DU-1007R	KN-153	Monster 620 Dark MD	620	DU-9001	KN-153
1098R	1198	DU-1007		Monster 620 i.e.	620		KN-153
1098R	1198 - Race Specific	DU-1007R		Monster S2R	803	DU-9001	KN-153
1098s	1098	DU-1007	KN-153	Monster S2R Dark	803	DU-9001	KN-153
1098s	1098 - Race Specific	DU-1007R	KN-153	Monster S4R	996	DU-9001	KN-153
Hypermotard 1100	1079	DU-1006	KN-153	Multistrada 1000s DS	999	DU-1004	KN-153
Hypermotard 1100s	1079	DU-1006	KN-153	ST3	992	DU-9098	KN-153
Monster 695	696	DU-9001	KN-153	ST4s	992		KN-153
Monster 696	696	DU-6908	KN-153	ST4S ABS	992		KN-153
Monster S2R 1000	992	DU-9001	KN-153	2004 DUCATI			
Multistrada 1100s	1078	DU-1004	KN-153	749	749		KN-153
2007 DUCATI				749R	749		KN-153
800SS	800		KN-153	749S	749		KN-153
1098	1098	DU-1007	KN-153	999	999		KN-153
1098	1098 - Race Specific	DU-1007R	KN-153	999R	999		KN-153
1098s	1098	DU-1007	KN-153	999R FILA	999		KN-153
1098s	1098 - Race Specific	DU-1007R	KN-153	999S	999		KN-153
1098s Tricolore	1098	DU-1007	KN-153	Monster 620 Dark i.e.	620		KN-153
1098s Tricolore	1098 - Race Specific	DU-1007R	KN-153	Monster 620 Dark MD	620		KN-153
GT1000	992	DU-1006	KN-153	Monster 620 i.e.	620		KN-153
Monster 695	695	DU-9001	KN-153	Monster 800	800		KN-153
Monster S2R 1000	992	DU-9001	KN-153	Monster 1000s	1000	DU-9001	KN-153
Monster S2R 800	803	DU-9001		Monster S4R	916	DU-9001	KN-153
Monster S4R	997	DU-9001	KN-153	Multistrada 1000 DS	1000	DU-1004	KN-153
Monster S4R	997	DU-9001	KN-153	ST4s	992	DU-9098	KN-153
Testastretta				ST4S ABS	992	DU-9098	KN-153
Monster S4Rs	997	DU-9001	KN-153	2003 DUCATI			
Testastretta				620 Sport	620		KN-153
Multistrada 1100s	1078	DU-1004	KN-153	749	749		KN-153
Sport 1000 Biposto	992		KN-153	749S	749		KN-153
Sport 1000S	992	DU-1006	KN-153	999	999		KN-153
ST3S ABS	992		KN-153	999R	999		KN-153
2006 DUCATI				999R FILA	999		KN-153
749	749		KN-153	999S	999		KN-153
749 Dark	749		KN-153	Monster 620 Dark	618		KN-153
749R	749		KN-153	Monster 620 i.e.	620		KN-153
749S	749		KN-153	Monster 620s	620		KN-153
999	999		KN-153	Monster 800 Dark	800		KN-153
999R	999		KN-153	Multistrada 1000 DS	1000	DU-1004	KN-153
999R Xerox	999		KN-153	ST4s	992	DU-9098	KN-153
999S	999		KN-153	ST4S ABS	992	DU-9098	KN-153
Monster 620	620	DU-9001	KN-153	2002 DUCATI			
Monster 620 Dark	620	DU-9001	KN-153	748	748		KN-153
Monster S2R	803	DU-9001	KN-153	748R	748		KN-153
Monster S2R 1000	992	DU-9001	KN-153	748S	748		KN-153
Monster S2R Dark	803	DU-9001	KN-153	750 Sport	750		KN-153
Multistrada 620	620	DU-1004	KN-153	750SS i.e.	750		KN-153
Multistrada 620 Dark	620	DU-1004	KN-153	900SS i.e.	900	DU-0900	KN-153
Multistrada 1000 DS	999	DU-1004	KN-153	998 Monoposto	998		KN-153
Sport 1000	992	DU-1006	KN-153	Monster 620	620	DU-9001	KN-153
ST3S ABS	992		KN-153	Monster 620s	620	DU-6202	KN-153
2005 DUCATI				Monster 750	750	DU-9001	KN-153
749	749		KN-153	Monster 750 Dark	750	DU-9001	KN-153
749 Dark	749		KN-153	Monster 750 Metallic	750	DU-9001	KN-153
749R	749		KN-153	Monster 900 Dark	900		KN-153
749S	749		KN-153	Monster 900 i.e.	904	DU-9098	KN-153
800SS	803		KN-153	Monster S4	916	DU-9001	KN-153
999	999		KN-153	Monster S4 Fogarty	916	DU-9001	KN-153
999R	999		KN-153	ST4	992		KN-153
999S	999		KN-153	ST4s	992	DU-9098	KN-153
Monster 620	620	DU-9001	KN-153				

* 2 filters required ♦ Intake System Available - see page 81 +Cabin Air Filter Available - see page 453 1- Pro Series Filter Available

AIR & OIL FILTERS

DUCATI

Vehicle	Engine Type	Air Filter	Oil Filter
2001 DUCATI			
748	748		KN-153
748R	748		KN-153
748S	748		KN-153
750SS i.e.	750		KN-153
900SS i.e.	900	DU-9098	KN-153
996 Biposto	996		KN-153
996 Monoposto	996		KN-153
Monster 600	600		KN-153
Monster 600 Dark	600	DU-0900	KN-153
Monster 600 Metallic	600	DU-0900	KN-153
Monster 750	750	DU-9098	KN-153
Monster 750 Dark	750	DU-9098	KN-153
Monster 750 Metallic	750	DU-9098	KN-153
Monster 900	904	DU-9098	KN-153
Monster 900 Cromo	900	DU-0900	KN-153
Monster 900 Dark	904	DU-9098	KN-153
Monster 900 Metallic	904	DU-9098	KN-153
Monster 900s	904	DU-9098	KN-153
Monster S4	916	DU-9001	KN-153
ST2	944		KN-153
ST4	992	DU-9098	KN-153
ST4s	992	DU-9098	KN-153

2000 DUCATI			
748R	748		KN-153
748S	748		KN-153
900SS i.e.	900		KN-153
996S	996		KN-153
Monster 750	750	DU-9098	KN-153
Monster 750 Dark	750	DU-9098	KN-153
Monster 750 Metallic	750	DU-9098	KN-153
Monster 900 Cromo	900	DU-0900	KN-153
Monster 900 Dark	900		KN-153
Monster 900 i.e.	904	DU-9098	KN-153
Monster 900s	900		KN-153
ST4	916		KN-153

1999 DUCATI			
748	748		KN-153
748 Biposto	748		KN-153
748 SPS	748		KN-153
750SS	742	DU-9098	KN-153
900SS	904	DU-9098	KN-153
996 Monoposto	996		KN-153
Monster 750	750	DU-9098	KN-153
Monster 750 City	750	DU-9098	KN-153
Monster 750 Dark	750	DU-9098	KN-153
Monster 750 Dark City	750	DU-9098	KN-153
Monster 900 City	900	DU-9098	KN-153
Monster 900 Cromo	900	DU-9098	KN-153
Monster 900 Dark	904		KN-153
Monster 900 Dark City	904		KN-153
Monster 900s	900	DU-9098	KN-153
ST4	916		KN-153

1998 DUCATI			
748	748		KN-153
748 Biposto	748		KN-153
748 SP	748		KN-153
900SS FE	900		KN-153
Monster 900s	904		KN-153
ST2	944		KN-153

Vehicle	Engine Type	Air Filter	Oil Filter
1997 DUCATI			
900SS	904	DU-0900	KN-153
M750 Monster	750	DU-0900	KN-153

1996 DUCATI			
900SS	904	DU-0900	KN-153
Monster 900	904	DU-0900	KN-153

1995 DUCATI			
900SS	904	DU-0900	KN-153
Monster 900	904	DU-0900	KN-153

1994 DUCATI			
900SS	904	DU-0900	KN-153

1993 DUCATI			
900 SuperLight	904		KN-153
900SS	904	DU-0900	KN-153

1992 DUCATI			
900SS	904	DU-0900	KN-153

1988 DUCATI			
750 Paso	750		KN-153

1979 DUCATI			
900 S2	900		KN-153

1978 DUCATI			
Desmo	900	DU-0202	

1998 EAGLE			
Talon	2.0L L4 F/I	33-2072	HP-2004 ¹
Talon TSi	2.0L L4 F/I	33-2072 ♦	HP-1010 ¹

1997 EAGLE			
Talon	2.0L L4 F/I	33-2072	HP-2004 ¹
Talon TSi	2.0L L4 F/I	33-2072 ♦	HP-1010 ¹

1996 EAGLE			
Talon	2.0L L4 F/I	33-2072	HP-2004 ¹
Talon TSi	2.0L L4 F/I	33-2072 ♦	HP-1010 ¹

1995 EAGLE			
Talon	2.0L L4 F/I	33-2072	HP-2004 ¹
Talon TSi	2.0L L4 F/I	33-2072 ♦	HP-1010 ¹

1994 EAGLE			
Talon	2.0L L4 F/I	E-2875	

1993 EAGLE			
Talon	2.0L L4 F/I	E-2875	HP-1010 ¹
		E-2875 ♦	HP-1010 ¹

1992 EAGLE			
Talon	2.0L L4 F/I	E-2875	HP-1005
		E-2875 ♦	HP-1005

1991 EAGLE			
Talon	2.0L L4 F/I	E-2875	HP-1005
		E-2875 ♦	HP-1005

1990 EAGLE			
Talon	2.0L L4 F/I	E-2875	HP-1005
		E-2875 ♦	HP-1005

2010 FERRARI			
430	4.3L V8 F/I	33-2494*	
F430	4.3L V8 F/I	33-2494*	

2009 FERRARI			
430	4.3L V8 F/I	33-2494*	
F430	4.3L V8 F/I	33-2494*	

* 2 filters required ♦ Intake System Available - see page 81 +Cabin Air Filter Available - see page 453 1- Pro Series Filter Available

FERRARI

AIR & OIL FILTERS

Vehicle	Engine Type	Air Filter	Oil Filter
2008 FERRARI			
430	4.3L V8 F/I	33-2494*	
F430	4.3L V8 F/I	33-2494*	
2007 FERRARI			
430	4.3L V8 F/I	33-2494*	
F430	4.3L V8 F/I	33-2494*	
2006 FERRARI			
F430	4.3L V8 F/I	33-2494*	
2005 FERRARI			
360	3.6L V8 F/I	33-2494	
F430	4.3L V8 F/I	33-2494*	
2004 FERRARI			
360	3.6L V8 F/I	33-2494	
2003 FERRARI			
360	3.6L V8 F/I	33-2494	
2002 FERRARI			
360	3.6L V8 F/I	33-2494	
2001 FERRARI			
360	3.6L V8 F/I	33-2494	
2000 FERRARI			
360	3.6L V8 F/I	33-2494	
1999 FERRARI			
360	3.6L V8 F/I	33-2494	
456 M	5.5L V12 F/I	33-2816*	
F355 Spider	3.5L V8 F/I	33-2816*	
1997 FERRARI			
F355 GTS	3.5L V8 F/I	33-2816*	
F355 Spider	3.5L V8 F/I	33-2816*	
1993 FERRARI			
348 TS	3.4L V8 F/I	33-2656	
1990 FERRARI			
F40	2.9L V8 F/I	33-2816*	
Testarossa	5.0L H12 F/I	33-2799	
1985 FERRARI			
308 GTS	3.0L V8 F/I	33-2518	
Mondial 8	3.0L V8 F/I	33-2662	
1984 FERRARI			
308 GTS	3.0L V8 F/I	33-2518	
1980 FERRARI			
308 GTS	3.0L V8 CARB	E-2930	
1979 FERRARI			
308 GTS	3.0L V8 CARB	E-2930	
2016 FIAT			
500X	1.4L L4 F/I	33-5034	
500X	2.4L L4 F/I	33-5034	HP-1017 ¹
2015 FIAT			
500	0.9L L2 F/I - Turbo	33-2981	
500	1.2L L4 F/I	33-2931 ♦	
500	1.3L L4 DSL	33-2984	
500	1.4L L4 F/I - Non-US, Exc. Turbo	33-2842	
		33-2842 ♦	
500	1.4L L4 F/I - Non-US, Turbo	33-3014	
		33-3014 ♦	

Vehicle	Engine Type	Air Filter	Oil Filter
2015 FIAT			
500	1.4L L4 F/I - US, Exc. Turbo	33-2471	
		33-2471 ♦	
500	1.4L L4 F/I - US, Turbo	33-2487	
		33-2487 ♦	
500L	0.9L L2 F/I - Turbo	33-2981	
500L	1.3L L4 DSL	33-2984	
500L	1.4L L4 F/I - Non-US, Exc. Turbo	33-2842	
500L	1.4L L4 F/I - Turbo	33-5015	
2014 FIAT			
500	0.9L L2 F/I	33-2981	
500	1.2L L4 F/I	33-2931 ♦	
500	1.3L L4 DSL	33-2984	
500	1.4L L4 F/I - Exc. Turbo	33-2471	
500	1.4L L4 F/I - Non-US, Turbo	33-3014	
500	1.4L L4 F/I - US, Exc. Turbo	33-2471 ♦	
500	1.4L L4 F/I - US, Turbo	33-2487	
500 Abarth	1.4L L4 F/I - Non-US, Turbo	33-3014 ♦	
500 Abarth	1.4L L4 F/I - US, Turbo	33-2487 ♦	
500L	0.9L L2 F/I - Turbo	33-2981	
500L	1.3L L4 DSL	33-2984	
500L	1.4L L4 F/I - Non-US, Exc. Turbo	33-2842	
500L	1.4L L4 F/I - US	33-5015	
Punto	1.4L L4 F/I - Turbo	33-2935 ♦	
2013 FIAT			
500	0.9L L2 F/I	33-2981	
500	1.2L L4 F/I	33-2931 ♦	
500	1.3L L4 DSL	33-2984	
500	1.4L L4 F/I - Non-US, Exc. Turbo	33-2842	
500	1.4L L4 F/I - Non-US, Turbo	33-3014	
500	1.4L L4 F/I - US, Exc. Turbo	33-2471	
		33-2471 ♦	
500	1.4L L4 F/I - US, Turbo	33-2487	
500 Abarth	1.4L L4 F/I - Non-US, Turbo	33-3014 ♦	
500 Abarth	1.4L L4 F/I - US, Turbo	33-2487 ♦	
500L	0.9L L2 F/I - Turbo	33-2981	
500L	1.3L L4 DSL	33-2984	
500L	1.4L L4 F/I - Non-US, Exc. Turbo	33-2842	
Bravo	1.4L L4 F/I - Turbo	E-2995 ♦	
Punto	1.4L L4 F/I - Turbo	33-2935 ♦	
2012 FIAT			
500	0.9L L2 F/I - Turbo	33-2981	
500	1.2L L4 F/I	33-2931 ♦	
500	1.3L L4 DSL	33-2984	
500	1.4L L4 F/I - Non-US, Exc. Turbo	33-2842 ♦	
500	1.4L L4 F/I - Non-US, Turbo	33-3014	
500	1.4L L4 F/I - US, Exc. Turbo	33-2471	
		33-2471 ♦	
500	1.4L L4 F/I - US, Turbo	33-2487	
500L	0.9L L2 F/I - Turbo	33-2981	
500L	1.3L L4 DSL	33-2984	
500L	1.4L L4 F/I - Non-US, Exc. Turbo	33-2842	

* 2 filters required ♦ Intake System Available - see page 81 +Cabin Air Filter Available - see page 453 1- Pro Series Filter Available

AIR & OIL FILTERS

FIAT

Vehicle	Engine Type	Air Filter	Oil Filter
2012 FIAT			
Punto Evo	1.6L L4 DSL	E-2995	
2011 FIAT			
500	1.3L L4 DSL - OEM 51775324	33-2932	
500	1.4L L4 F/I		HP-1010 ¹
500	1.4L L4 F/I - Exc. Turbo	33-2842 ♦	HP-1010
500	1.4L L4 F/I - Turbo	33-3014	HP-1010
Punto Evo	1.6L L4 DSL	E-2995	
2010 FIAT			
Grande Punto	1.6L L4 DSL	E-2995	
Linea	1.3L L4 DSL - OEM 51775324	33-2932	
2009 FIAT			
500	1.4L L4 F/I		HP-1010 ¹
500	1.4L L4 F/I - Turbo	33-3014	HP-1010
Bravo	1.4L L4 F/I - Turbo	E-2995 ♦	
Grande Punto	1.3L L4 DSL - OEM 51775324	33-2932	
2008 FIAT			
500	1.2L L4 F/I	33-2931 ♦	
2007 FIAT			
Grande Punto	1.4L L4 F/I - Turbo	33-2935 ♦	
2006 FIAT			
Stilo	2.4L L5 F/I	33-2846 ♦	
2003 FIAT			
Ulysse	2.2L L4 DSL	33-2539	
2001 FIAT			
Punto	1.2L L4 F/I - 16v	33-2197 ♦	
Punto	1.2L L4 F/I - 60BHP, 8v, Series II	E-2863 ♦	
Punto	1.2L L4 F/I - OEM 46481588, 16v	33-2171 ♦	
2000 FIAT			
Punto	1.2L L4 F/I - 16v	33-2197 ♦	
Punto	1.2L L4 F/I - 58/60BHP	33-2586 ♦	
Punto	1.2L L4 F/I - 60BHP, 8v, Series II	E-2863 ♦	
Punto	1.2L L4 F/I - OEM 46481588, 16v	33-2171 ♦	
1998 FIAT			
Ducato	2.5L L4 DSL - Exc. Turbo	E-9033	
1996 FIAT			
Bravo	1.8L L4 F/I	33-2748-1 ♦	
Uno	1.4L L4 F/I - Turbo	33-2525	
1995 FIAT			
Uno	1.4L L4 F/I - Turbo	33-2525	
1981 FIAT			
124	2.0L L4 CARB	33-2001	
124	2.0L L4 F/I	33-2001	HP-2004 ¹
X-1/9	1.5L L4 CARB - Non-US	E-9122	
X-1/9	1.5L L4 F/I - US	E-2350	
1980 FIAT			
124	2.0L L4 CARB	33-2001	HP-2004 ¹
124	2.0L L4 F/I	33-2001	HP-2004 ¹
X-1/9	1.5L L4 CARB - Non-US	E-9122	
1979 FIAT			
124	2.0L L4 CARB	33-2001	

Vehicle	Engine Type	Air Filter	Oil Filter
1978 FIAT			
124	1.8L L4 CARB	E-2670	
2016 FORD			
E450 Super Duty	6.8L V10 F/I		HP-2010 ¹
Edge	2.0L L4 F/I		HP-1002 ¹
Edge	2.7L V6 F/I		PS-7034
Edge	3.5L V6 F/I		HP-2011 ¹
Escape	1.6L L4 F/I	E-2993	HP-1002 ¹
Escape	2.0L L4 F/I	E-2993	HP-1002 ¹
Escape	2.5L L4 F/I	33-5002	HP-1002 ¹
Expedition	3.5L V6 F/I	33-2385 ♦	HP-2011 ¹
Explorer	2.3L L4 F/I	33-2395	HP-1002 ¹
Explorer	3.5L V6 F/I	33-2395 ♦	HP-2011 ¹
F150	2.7L V6 F/I	33-2385 ♦	PS-7034
F150	3.5L V6 F/I	33-2385	HP-2011 ¹
		33-2385 ♦	HP-2011 ¹
F250	6.7L V8 DSL	33-5010 ♦	
F250 Super Duty	6.2L V8 F/I	33-2385 ♦	HP-2010 ¹
F250 Super Duty	6.7L V8 DSL	33-5010 ♦	HP-4005
F350 Super Duty	6.2L V8 F/I	33-2385 ♦	HP-2010 ¹
F350 Super Duty	6.7L V8 DSL	33-5010 ♦	HP-4005
F450 Super Duty	6.7L V8 DSL	33-5010 ♦	HP-4005
F450 Super Duty	6.8L V10 F/I		HP-2010 ¹
F550 Super Duty	6.7L V8 DSL		HP-4005
Fiesta	1.6L L4 F/I	33-2955 ♦	HP-1002 ¹
Fiesta ST	1.6L L4 F/I	33-2955	HP-1002 ¹
Fiesta VI	1.6L L4 F/I	33-2955	
Focus	1.0L L3 F/I		HP-1002 ¹
Focus	2.0L L4 F/I	E-2993 ♦	HP-1002 ¹
Focus III	1.0L L3 F/I	E-2993 ♦	HP-1002 ¹
Focus III	1.6L L4 F/I	E-2993 ♦	
Focus III	2.0L L4 DSL	E-2993 ♦	
Focus III	2.0L L4 F/I	E-2993 ♦	HP-1002 ¹
Focus ST	2.0L L4 DSL	E-2993 ♦	
Focus ST	2.0L L4 F/I	E-2993 ♦	HP-1002 ¹
Fusion	1.5L L4 F/I	33-5000	HP-1002 ¹
Fusion	2.0L L4 F/I		HP-1002 ¹
Fusion	2.0L L4 F/I - Exc. Turbo	33-5001	HP-1002
Fusion	2.0L L4 F/I - Turbo	33-5000 ♦	HP-1002
Fusion	2.5L L4 F/I	33-5000 ♦	HP-1002 ¹
Mustang	2.3L L4 F/I	33-5029 ♦	HP-1002 ¹
Mustang	3.7L V6 F/I	33-5029 ♦	HP-2011 ¹
Mustang GT	5.0L V8 F/I	33-5029 ♦	HP-2011 ¹
Police Interceptor Utility	3.5L V6 F/I		HP-2011 ¹
Police Interceptor Utility	3.7L V6 F/I		HP-2011 ¹
2015 FORD			
C-Max	2.0L L4 F/I	33-5001	HP-1002 ¹
C-Max II	2.0L L4 DSL	E-2993 ♦	
E150 Econoline	4.6L V8 F/I		HP-2010 ¹
E150 Econoline	5.4L V8 F/I		HP-2010 ¹
E350 Cutaway	6.8L V10 F/I		HP-2010 ¹
E350 Super Duty	5.4L V8 F/I		HP-2010 ¹
E350 Super Duty	6.8L V10 F/I		HP-2010 ¹
E450 Cutaway	6.8L V10 F/I		HP-2010 ¹
E450 Super Duty	6.8L V10 F/I		HP-2010 ¹
Edge	2.0L L4 F/I	33-5000+	HP-1002 ¹
Edge	2.7L V6 F/I	33-5000+	PS-7034
Edge	3.5L V6 F/I	33-5000+	HP-2011 ¹
Edge	3.7L V6 F/I		HP-2011 ¹
Escape	1.6L L4 F/I	E-2993 ♦	HP-1002 ¹
Escape	2.0L L4 F/I	E-2993 ♦	HP-1002 ¹

* 2 filters required ♦ Intake System Available - see page 81 +Cabin Air Filter Available - see page 453 1- Pro Series Filter Available

Partial Listing - Complete List of Vehicles and Applications at knfilters.com

FORD

AIR & OIL FILTERS

Vehicle	Engine Type	Air Filter	Oil Filter	Vehicle	Engine Type	Air Filter	Oil Filter
2015 FORD				2015 FORD			
Escape	2.5L L4 F/I	33-5002	HP-1002 ¹	Ranger	3.2L L5 DSL	E-0662	
Expedition	3.5L V6 F/I	33-2385 ♦	HP-2011 ¹	Taurus	2.0L L4 F/I	33-2395+	HP-1002 ¹
Expedition	5.4L V8 F/I		HP-2010 ¹	Taurus	3.5L V6 F/I	33-2395 ♦+	HP-2011 ¹
Explorer	2.0L L4 F/I	33-2395 ♦+	HP-1002 ¹	Taurus SHO	3.5L V6 F/I	33-2395 ♦+	HP-2011 ¹
Explorer	3.5L V6 F/I	33-2395 ♦+	HP-2011 ¹	Tourneo Custom	2.2L L4 DSL	33-3026	
Explorer Sport	3.5L V6 F/I	33-2395 ♦+	HP-2011 ¹	Transit	2.2L L4 DSL	33-3026	
F150	2.7L V6 F/I	33-2385 ♦	PS-7034	Transit 150	3.2L L5 DSL		HP-2011 ¹
F150	3.5L V6 F/I	33-2385	HP-2011 ¹	Transit 150	3.5L V6 F/I	33-5024	HP-2011 ¹
		33-2385 ♦	HP-2011 ¹	Transit 150	3.7L V6 F/I	33-5024	HP-2011 ¹
F150	3.7L V6 F/I		HP-2011 ¹	Transit 250	3.2L L5 DSL	33-5024	HP-2011 ¹
F150	5.0L V8 F/I	33-2385 ♦	HP-2011 ¹	Transit 250	3.5L V6 F/I	33-5024	HP-2011 ¹
F150	6.2L V8 F/I		HP-2010 ¹	Transit 250	3.7L V6 F/I	33-5024	HP-2011 ¹
F250 Super Duty	6.2L V8 F/I	33-2385 ♦	HP-2010 ¹	Transit 350	3.2L L5 DSL	33-5024	HP-2011 ¹
F250 Super Duty	6.7L V8 DSL	33-5010 ♦	HP-4005	Transit 350	3.5L V6 F/I	33-5024	HP-2011 ¹
F350 Super Duty	6.2L V8 F/I	33-2385	HP-2010 ¹	Transit 350	3.7L V6 F/I	33-5024	HP-2011 ¹
		33-2385 ♦	HP-2010 ¹	Transit 350 HD	3.2L L5 DSL	33-5024	HP-2011 ¹
F350 Super Duty	6.7L V8 DSL	33-5010 ♦	HP-4005	Transit 350 HD	3.5L V6 F/I	33-5024	HP-2011 ¹
F450 Super Duty	6.2L V8 F/I	33-2385		Transit 350 HD	3.7L V6 F/I	33-5024	HP-2011 ¹
F450 Super Duty	6.7L V8 DSL	33-5010 ♦	HP-4005	Transit Connect	1.0L L3 F/I	E-2993 ♦	
F450 Super Duty	6.8L V10 F/I	33-2385	HP-2010 ¹	Transit Connect	1.6L L4 DSL	E-2993 ♦	
F550 Super Duty	6.2L V10 F/I		HP-2010 ¹	Transit Connect	1.6L L4 F/I	E-2993 ♦	HP-1002 ¹
F550 Super Duty	6.7L V8 DSL	33-5010 ♦	HP-4005	Transit Connect	2.5L L4 F/I	33-5002	HP-1002 ¹
F550 Super Duty	6.8L V10 F/I	33-2385	HP-2010 ¹	Transit Custom	2.2L L4 DSL	33-3026	
Fiesta	1.0L L3 F/I		HP-1002 ¹	2014 FORD			
Fiesta	1.6L L4 F/I	33-2955 ♦	HP-1002 ¹	C-Max	2.0L L4 F/I	33-5001	HP-1002 ¹
Fiesta Ikon	1.6L L4 F/I	33-2955	HP-1002 ¹	C-Max II	2.0L L4 DSL	E-2993 ♦	
Fiesta ST	1.6L L4 F/I	33-2955 ♦	HP-1002 ¹	E150	4.6L V8 F/I	E-0945	HP-2010 ¹
Fiesta VI	1.0L L3 F/I	33-2955	HP-1002 ¹	E150	5.4L V8 F/I	E-0945 ♦	HP-2010 ¹
Fiesta VI	1.25L L4 F/I	33-2955		E250	4.6L V8 F/I	E-0945	HP-2010 ¹
Fiesta VI	1.4L L4 F/I	33-2955		E250	5.4L V8 F/I	E-0945 ♦	HP-2010 ¹
Fiesta VI	1.5L L4 DSL	33-2955		E350 Super Duty	5.4L V8 F/I	E-0945 ♦	HP-2010 ¹
Fiesta VI	1.6L L4 DSL	33-2955		E350 Super Duty	6.8L V10 F/I		HP-2010 ¹
Fiesta VI	1.6L L4 F/I	33-2955	HP-1002 ¹	E450 Super Duty	5.4L V8 F/I	E-0945 ♦	HP-2010 ¹
Fiesta VI	1.6L L4 F/I	33-2955	HP-1002 ¹	E450 Super Duty	6.8L V10 F/I		HP-2010 ¹
Flex	3.5L V6 F/I	33-2395+	HP-2011 ¹	Edge	2.0L L4 F/I	33-2395 ♦+	HP-1002 ¹
		33-2395 ♦+	HP-2011 ¹	Edge	3.5L V6 F/I	33-2395 ♦+	HP-2011 ¹
Focus	1.0L L3 F/I		HP-1002 ¹	Edge	3.7L V6 F/I	33-2395 ♦+	HP-2011 ¹
Focus	2.0L L4 F/I	E-2993 ♦	HP-1002 ¹	Escape	1.6L L4 F/I	E-2993 ♦	HP-1002 ¹
Focus III	1.0L L3 F/I	E-2993 ♦	HP-1002 ¹	Escape	2.0L L4 F/I	E-2993 ♦	HP-1002 ¹
Focus III	1.5L L4 DSL	E-2993 ♦		Escape	2.5L L4 F/I	33-5002	HP-1002 ¹
Focus III	1.5L L4 F/I	E-2993 ♦		Expedition	5.4L V8 F/I	33-2385 ♦	HP-2010 ¹
Focus III	1.6L L4 DSL	E-2993		Explorer	2.0L L4 F/I	33-2395 ♦+	HP-1002 ¹
Focus III	1.6L L4 F/I	E-2993 ♦		Explorer	3.5L V6 F/I	33-2395 ♦+	HP-2011 ¹
Focus III	2.0L L4 DSL	E-2993 ♦		Explorer Sport	3.5L V6 F/I	33-2395 ♦+	HP-2011 ¹
Focus III	2.0L L4 F/I	E-2993 ♦	HP-1002 ¹	F150	3.5L V6 F/I	33-2385 ♦	HP-2011 ¹
Focus ST	2.0L L4 DSL	E-2993 ♦		F150	3.7L V6 F/I	33-2385 ♦	HP-2011 ¹
Focus ST	2.0L L4 F/I	E-2993 ♦	HP-1002 ¹	F150	5.0L V8 F/I	33-2385 ♦	HP-2011 ¹
Fusion	1.5L L4 F/I	33-5000 ♦	HP-1002 ¹	F150	6.2L V8 F/I	33-2385	HP-2010 ¹
Fusion	1.6L L4 F/I		HP-1002 ¹	F250 Super Duty	6.2L V8 F/I	33-2385 ♦	HP-2010 ¹
Fusion	2.0L L4 F/I		HP-1002 ¹	F250 Super Duty	6.7L V8 DSL	33-5010 ♦	HP-4005
Fusion	2.0L L4 F/I - Exc. Turbo	33-5001	HP-1002	F350 Super Duty	6.2L V8 F/I	33-2385 ♦	HP-2010 ¹
Fusion	2.0L L4 F/I - Turbo	33-5000 ♦	HP-1002	F350 Super Duty	6.7L V8 DSL	33-5010 ♦	HP-4005
Fusion	2.5L L4 F/I	33-5000 ♦	HP-1002 ¹	F450 Super Duty	6.7L V8 DSL	33-5010 ♦	HP-4005
Mustang	2.3L L4 F/I	33-5029 ♦	HP-1002 ¹	F450 Super Duty	6.8L V10 F/I	33-2385	HP-2010 ¹
Mustang	3.7L V6 F/I	33-5029 ♦	HP-2011 ¹	F550 Super Duty	6.7L V8 DSL	33-5010 ♦	HP-4005
Mustang GT	5.0L V8 F/I	33-5029 ♦	HP-2011 ¹	F550 Super Duty	6.8L V10 F/I	33-2385	HP-2010 ¹
Police Interceptor Sedan	3.5L V6 F/I		HP-2011 ¹	F550 Super Duty	6.8L V10 F/I	33-2385	HP-2010 ¹
Police Interceptor Sedan	3.7L V6 F/I		HP-2011 ¹	F150 SVT Raptor	6.2L V8 F/I	33-2385 ♦	HP-2010 ¹
Police Interceptor Utility	3.5L V6 F/I		HP-2011 ¹	Fiesta	1.0L L3 F/I		HP-1002 ¹
Police Interceptor Utility	3.7L V6 F/I		HP-2011 ¹	Fiesta	1.6L L4 F/I	33-2955 ♦	HP-1002 ¹
Ranger	2.2L L4 DSL	E-0662		Fiesta Ikon	1.6L L4 F/I	33-2955	HP-1002 ¹
Ranger	2.5L L4 F/I	E-0662		Fiesta ST	1.6L L4 F/I	33-2955 ♦	HP-1002 ¹
				Fiesta VI	1.0L L3 F/I	33-2955	HP-1002 ¹
				Fiesta VI	1.25L L4 F/I	33-2955	
				Fiesta VI	1.4L L4 F/I	33-2955	

* 2 filters required ♦ Intake System Available - see page 81 +Cabin Air Filter Available - see page 453 1- Pro Series Filter Available

AIR & OIL FILTERS

FORD

Vehicle	Engine Type	Air Filter	Oil Filter	Vehicle	Engine Type	Air Filter	Oil Filter
2014 FORD				2013 FORD			
Fiesta VI	1.5L L4 DSL	33-2955		Explorer Sport	3.5L V6 F/I	33-2395 ♦+	HP-2011 ¹
Fiesta VI	1.6L L4 DSL	33-2955		F150	3.5L V6 F/I	33-2385 ♦	HP-2011 ¹
Fiesta VI	1.6L L4 F/I	33-2955	HP-1002 ¹	F150	3.7L V6 F/I	33-2385 ♦	HP-2011 ¹
Flex	3.5L V6 F/I	33-2395 ♦+	HP-2011 ¹	F150	5.0L V8 F/I	33-2385 ♦	HP-2011 ¹
Focus	2.0L L4 F/I	E-2993 ♦	HP-1002 ¹	F150	6.2L V8 F/I	33-2385	HP-2010 ¹
Focus III	1.0L L3 F/I	E-2993 ♦		F250 Super Duty	6.2L V8 F/I	33-2385 ♦	HP-2010 ¹
Focus III	1.5L L4 F/I	E-2993 ♦		F250 Super Duty	6.7L V8 DSL	33-5010 ♦	HP-4005
Focus III	1.6L L4 DSL	E-2993 ♦		F350 Super Duty	6.2L V8 F/I	33-2385 ♦	HP-2010 ¹
Focus III	1.6L L4 F/I	E-2993 ♦		F350 Super Duty	6.7L V8 DSL	33-5010 ♦	HP-4005
Focus III	2.0L L4 DSL	E-2993 ♦		F450 Super Duty	6.7L V8 DSL	33-5010 ♦	HP-4005
Focus III	2.0L L4 F/I	E-2993 ♦	HP-1002 ¹	F450 Super Duty	6.8L V10 F/I	33-2385	HP-2010 ¹
Focus ST	2.0L L4 DSL	E-2993 ♦		F550 Super Duty	6.7L V8 DSL	33-5010 ♦	HP-4005
Focus ST	2.0L L4 F/I	E-2993 ♦	HP-1002 ¹	F550 Super Duty	6.8L V10 F/I	33-2385	HP-2010 ¹
Fusion	1.5L L4 F/I	33-5000 ♦	HP-1002 ¹	F650	6.7L L6 DSL	33-5010	
Fusion	1.6L L4 F/I	33-5000 ♦	HP-1002 ¹	F650	6.8L V10 F/I	33-2385	HP-2010 ¹
Fusion	2.0L L4 F/I		HP-1002 ¹	F150 SVT Raptor	6.2L V8 F/I	33-2385 ♦	HP-2010 ¹
Fusion	2.0L L4 F/I - Exc. Turbo	33-5001	HP-1002	Fiesta	1.6L L4 F/I	33-2955 ♦	HP-1002 ¹
Fusion	2.0L L4 F/I - Turbo	33-5000 ♦	HP-1002	Fiesta Ikon	1.6L L4 F/I		HP-1002 ¹
Fusion	2.5L L4 F/I	33-5000 ♦	HP-1002 ¹	Fiesta VI	1.0L L3 F/I	33-2955	
Mondeo IV	2.0L L4 DSL	33-2393		Fiesta VI	1.25L L4 F/I	33-2955	
Mondeo IV	2.0L L4 F/I	33-2393		Fiesta VI	1.4L L4 DSL	33-2955	
Mustang	3.7L V6 F/I	33-2431 ♦+	HP-2011 ¹	Fiesta VI	1.4L L4 F/I	33-2955	
Mustang GT	5.0L V8 F/I	33-2431 ♦+	HP-2011 ¹	Fiesta VI	1.5L L4 DSL	33-2955	
Mustang Shelby GT500	5.8L V8 F/I	E-1993 ♦+	HP-2010 ¹	Fiesta VI	1.6L L4 DSL	33-2955	
Police Interceptor Sedan	3.5L V6 F/I		HP-2011 ¹	Fiesta VI	1.6L L4 F/I	33-2955	HP-1002 ¹
Police Interceptor Sedan	3.7L V6 F/I		HP-2011 ¹	Flex	3.5L V6 F/I	33-2395+	HP-2011 ¹
Police Interceptor Utility	3.7L V6 F/I		HP-2011 ¹	Focus	2.0L L4 F/I	E-2993 ♦	HP-1002 ¹
Ranger	2.2L L4 DSL	E-0662		Focus III	1.0L L3 F/I	E-2993 ♦	
Ranger	2.5L L4 F/I	E-0662		Focus III	1.6L L4 DSL	E-2993 ♦	
Ranger	3.2L L5 DSL	E-0662		Focus III	1.6L L4 F/I	E-2993 ♦	
Taurus	2.0L L4 F/I	33-2395+	HP-1002 ¹	Focus III	2.0L L4 DSL	E-2993 ♦	
Taurus	3.5L V6 F/I	33-2395 ♦+	HP-2011 ¹	Focus III	2.0L L4 F/I	E-2993 ♦	HP-1002 ¹
Taurus SHO	3.5L V6 F/I	33-2395 ♦+	HP-2011 ¹	Focus ST	2.0L L4 F/I	E-2993 ♦	HP-1002 ¹
Transit	2.2L L4 DSL	33-3026		Fusion	1.6L L4 F/I	33-5000 ♦	HP-1002 ¹
Transit Connect	1.6L L4 DSL	E-2993 ♦		Fusion	2.0L L4 F/I		HP-1002 ¹
Transit Connect	1.6L L4 F/I	E-2993 ♦	HP-1002 ¹	Fusion	2.0L L4 F/I - Exc. Turbo	33-5001	HP-1002
Transit Connect	2.5L L4 F/I	33-5002	HP-1002 ¹	Fusion	2.0L L4 F/I - Turbo	33-5000 ♦	HP-1002
Transit Custom	2.2L L4 DSL	33-3026		Fusion	2.5L L4 F/I	33-5000 ♦	HP-1002 ¹
2013 FORD				2012 FORD			
C-Max	2.0L L4 F/I	33-5001	HP-1002 ¹	E150	4.6L V8 F/I	E-0945	HP-2010 ¹
C-Max II	1.6L L4 DSL	E-2993 ♦		E150	5.4L V8 F/I	E-0945 ♦	HP-2010 ¹
C-Max II	1.6L L4 F/I	E-2993 ♦		E150	6.8L V10 F/I	E-0945	
C-Max II	2.0L L4 DSL	E-2993 ♦		E250	4.6L V8 F/I	E-0945	HP-2010 ¹
E150	4.6L V8 F/I	E-0945	HP-2010 ¹	E250	5.4L V8 F/I	E-0945 ♦	
E150	5.4L V8 F/I	E-0945 ♦	HP-2010 ¹	E350 Super Duty	5.4L V8 F/I	E-0945 ♦	HP-2010 ¹
E250	4.6L V8 F/I	E-0945	HP-2010 ¹	E350 Super Duty	6.8L V10 F/I	E-0945 ♦	HP-2010 ¹
E250	5.4L V8 F/I	E-0945 ♦	HP-2010 ¹	E450 Super Duty	6.8L V10 F/I	E-0945 ♦	HP-2010 ¹
E350 Super Duty	5.4L V8 F/I	E-0945 ♦	HP-2010 ¹	EcoSport	2.0L L4 F/I	HP-1002 ¹	
E350 Super Duty	6.8L V10 F/I	E-0945 ♦	HP-2010 ¹	Edge	2.0L L4 F/I	33-2395 ♦+	HP-1002 ¹
E450 Super Duty	6.8L V10 F/I	E-0945 ♦	HP-2010 ¹	Edge	3.5L V6 F/I	33-2395 ♦+	HP-2011 ¹
Edge	2.0L L4 F/I	HP-1002 ¹		Edge	3.7L V6 F/I	33-2395 ♦+	HP-2011 ¹
Edge	2.0L L4 F/I	33-2395 ♦+	HP-1002 ¹	Escape	1.6L L4 F/I	E-2993 ♦	HP-1002 ¹
Edge	3.5L V6 F/I	33-2395 ♦+	HP-2011 ¹	Escape	2.0L L4 F/I	E-2993 ♦	HP-1002 ¹
Edge	3.7L V6 F/I	33-2395 ♦+	HP-2011 ¹	Escape	2.5L L4 F/I	33-5002	HP-1002 ¹
Escape	1.6L L4 F/I	E-2993 ♦	HP-1002 ¹	Expedition	5.4L V8 F/I	33-2385 ♦	HP-2010 ¹
Escape	2.0L L4 F/I	E-2993 ♦	HP-1002 ¹	Explorer	2.0L L4 F/I	33-2395+	HP-1002 ¹
Escape	2.5L L4 F/I	33-5002	HP-1002 ¹	Explorer	3.5L V6 F/I	33-2395 ♦+	HP-2011 ¹
Expedition	5.4L V8 F/I	33-2385 ♦	HP-2010 ¹				
Explorer	2.0L L4 F/I	33-2395+	HP-1002 ¹				
Explorer	3.5L V6 F/I	33-2395 ♦+	HP-2011 ¹				

* 2 filters required ♦ Intake System Available - see page 81 +Cabin Air Filter Available - see page 453 1- Pro Series Filter Available

FORD

AIR & OIL FILTERS

Vehicle	Engine Type	Air Filter	Oil Filter
2012 FORD			
E250 Super Duty	6.8L V10 F/I	E-0945	HP-2010 ¹
E350 Super Duty	5.4L V8 F/I	E-0945 ♦	HP-2010 ¹
E350 Super Duty	6.8L V10 F/I	E-0945 ♦	HP-2010 ¹
E450 Super Duty	6.8L V10 F/I	E-0945 ♦	HP-2010 ¹
EcoSport	2.0L L4 F/I		HP-1002 ¹
Edge	2.0L L4 F/I	33-2395 ♦+	HP-1002 ¹
Edge	3.5L V6 F/I	33-2395 ♦+	HP-2011 ¹
Edge	3.7L V6 F/I	33-2395 ♦+	HP-2011 ¹
Escape	2.5L L4 F/I	33-2187	HP-1002 ¹
Escape	3.0L V6 F/I	E-1990	HP-2011 ¹
Escape Hybrid	2.5L L4 F/I	33-2347	HP-1002 ¹
Expedition	5.4L V8 F/I	33-2385 ♦	HP-2010 ¹
Explorer	2.0L L4 F/I	33-2395+	HP-1002 ¹
Explorer	3.5L V6 F/I	33-2395 ♦+	HP-2011 ¹
F150	3.5L V6 F/I	33-2385 ♦	HP-2011 ¹
F150	3.7L V6 F/I	33-2385 ♦	HP-2011 ¹
F150	5.0L V8 F/I	33-2385 ♦	HP-2011 ¹
F150	6.2L V8 F/I	33-2385 ♦	HP-2010 ¹
F250 Super Duty	6.2L V8 F/I	33-2385 ♦	HP-2010 ¹
F250 Super Duty	6.7L V8 DSL	33-5010 ♦	HP-4005
F350 Super Duty	6.2L V8 F/I	33-2385 ♦	HP-2010 ¹
F350 Super Duty	6.7L V8 DSL	33-5010 ♦	HP-4005
F450 Super Duty	6.7L V8 DSL	33-5010 ♦	HP-4005
F450 Super Duty	6.8L V10 F/I	33-2385	HP-2010 ¹
F550 Super Duty	6.7L V8 DSL	33-5010 ♦	HP-4005
F550 Super Duty	6.8L V10 F/I	33-2385	HP-2010 ¹
F650	6.8L V10 F/I	33-2385	
F150 SVT Raptor	6.2L V8 F/I	33-2385 ♦	HP-2010 ¹
Fiesta	1.6L L4 F/I	33-2955 ♦	HP-1002 ¹
Fiesta Ikon	1.6L L4 F/I		HP-1002 ¹
Fiesta VI	1.0L L3 F/I	33-2955	
Fiesta VI	1.25L L4 F/I	33-2955 ♦	
Fiesta VI	1.4L L4 DSL	33-2955	
Fiesta VI	1.4L L4 F/I	33-2955	
Fiesta VI	1.5L L4 DSL	33-2955	
Fiesta VI	1.6L L4 DSL	33-2955	
Fiesta VI	1.6L L4 F/I	33-2955 ♦	HP-1002 ¹
Flex	3.5L V6 F/I	33-2395+	HP-2011 ¹
		33-2395 ♦+	HP-2011 ¹
Focus	2.0L L4 F/I	E-2993 ♦	HP-1002 ¹
Focus III	1.0L L3 F/I	E-2993 ♦	
Focus III	1.6L L4 DSL	E-2993 ♦	
Focus III	1.6L L4 F/I	E-2993 ♦	
Focus III	2.0L L4 DSL	E-2993 ♦	
Focus III	2.0L L4 F/I	E-2993 ♦	HP-1002 ¹
Fusion	1.4L L4 F/I	33-2853	
Fusion	1.6L L4 F/I	33-2853	
Fusion	2.5L L4 F/I	33-2357 ♦+	HP-1002 ¹
Fusion	3.0L V6 F/I	33-2340+	HP-2011 ¹
Fusion	3.5L V6 F/I	33-2395+	HP-2011 ¹
Ka	1.2L L4 F/I	33-2931 ♦	
Mondeo IV	2.0L L4 DSL	33-2393	
Mondeo IV	2.0L L4 F/I	33-2393	
Mustang	3.7L V6 F/I	33-2431 ♦+	HP-2011 ¹
Mustang Boss 302	5.0L V8 F/I	33-2431 ♦+	HP-2011 ¹
Mustang GT	5.0L V8 F/I	33-2431 ♦+	HP-2011 ¹
Mustang Shelby GT500	5.4L V8 F/I	E-1993 ♦+	HP-2010 ¹
Ranger	2.2L L4 DSL	E-0662	
Ranger	2.3L L4 F/I		HP-1002 ¹
Ranger	2.5L L4 F/I	E-0662	
Ranger	3.2L L5 DSL	E-0662	
Taurus	3.5L V6 F/I	33-2395 ♦+	HP-2011 ¹
Taurus SHO	3.5L V6 F/I	33-2395 ♦+	HP-2011 ¹

Vehicle	Engine Type	Air Filter	Oil Filter
2012 FORD			
Tourneo Custom	2.2L L4 DSL	33-3026	
Transit	2.2L L4 DSL - 100/125/140BHP	33-3026	
Transit Connect	2.0L L4 F/I	33-2436	HP-1002 ¹
Transit Custom	2.2L L4 DSL	33-3026	
2011 FORD			
Crown Victoria	4.6L V8 F/I	33-2272 ♦	HP-2010 ¹
Crown Victoria Police Interceptor	4.6L V8 F/I	33-2272	HP-1002 ¹
E150	4.6L V8 F/I	E-0945	HP-2010 ¹
E150	5.4L V8 F/I	E-0945 ♦	HP-2010 ¹
E250	4.6L V8 F/I	E-0945	HP-2010 ¹
E250	5.4L V8 F/I	E-0945 ♦	HP-2010 ¹
E350 Super Duty	5.4L V8 F/I	E-0945 ♦	HP-2010 ¹
E350 Super Duty	6.8L V10 F/I	E-0945 ♦	HP-2010 ¹
E450 Super Duty	6.8L V10 F/I	E-0945 ♦	HP-2010 ¹
Edge	3.5L V6 F/I	33-2395 ♦+	HP-2011 ¹
Edge	3.7L V6 F/I	33-2395 ♦+	HP-2011 ¹
Escape	2.5L L4 F/I	33-2187	HP-1002 ¹
Escape	3.0L V6 F/I	E-1990	HP-2011 ¹
Escape Hybrid	2.5L L4 F/I	33-2347	HP-1002 ¹
Expedition	5.4L V8 F/I	33-2385 ♦	HP-2010 ¹
Explorer	2.0L L4 F/I		HP-1002 ¹
Explorer	3.5L V6 F/I	33-2395 ♦+	HP-2011 ¹
F150	3.5L V6 F/I	33-2385 ♦	HP-2011 ¹
F150	3.7L V6 F/I	33-2385	HP-2011 ¹
F150	4.6L V8 F/I	33-2385	
F150	5.0L V8 F/I	33-2385 ♦	HP-2011 ¹
F150	5.4L V8 F/I	33-2385	
F150	6.2L V8 F/I	33-2385 ♦	HP-2010 ¹
F150 Platinum	6.2L V8 F/I	33-2385 ♦	HP-2010 ¹
F250 Super Duty	6.2L V8 F/I	33-2385 ♦	HP-2010 ¹
F250 Super Duty	6.7L V8 DSL	33-5010 ♦	HP-4005
F250 Super Duty	6.8L V10 F/I	33-2385	HP-2010 ¹
F350 Super Duty	6.2L V8 F/I	33-2385 ♦	HP-2010 ¹
F350 Super Duty	6.7L V8 DSL	33-5010 ♦	HP-4005
F350 Super Duty	6.8L V10 F/I	33-2385	HP-2010 ¹
F450 Super Duty	6.7L V8 DSL	33-5010 ♦	HP-4005
F450 Super Duty	6.8L V10 F/I	33-2385	HP-2010 ¹
F550 Super Duty	6.7L V8 DSL	33-5010 ♦	HP-4005
F550 Super Duty	6.8L V10 F/I	33-2385	HP-2010 ¹
F650	6.7L L6 DSL	33-5010	
F150 SVT Raptor	6.2L V8 F/I	33-2385 ♦	HP-2010 ¹
Fiesta	1.6L L4 F/I	33-2955 ♦	HP-1002 ¹
Fiesta Ikon	1.6L L4 F/I		HP-1002 ¹
Fiesta VI	1.25L L4 F/I	33-2955 ♦	
Fiesta VI	1.4L L4 F/I	33-2955	
Fiesta VI	1.6L L4 DSL	33-2955	
Fiesta VI	1.6L L4 F/I	33-2955 ♦	HP-1002 ¹
Flex	3.5L V6 F/I	33-2395+	HP-2011 ¹
		33-2395 ♦+	HP-2011 ¹
Focus	2.0L L4 F/I		HP-1002 ¹
Focus	2.0L L4 F/I - US	33-2401 ♦	HP-1002
Focus Europa	2.0L L4 F/I		HP-1002 ¹
Focus III	1.6L L4 DSL	E-2993 ♦	
Focus III	1.6L L4 F/I	E-2993 ♦	
Focus III	2.0L L4 DSL	E-2993 ♦	
Fusion	1.4L L4 F/I	33-2853	
Fusion	1.6L L4 F/I	33-2853	
Fusion	2.5L L4 F/I	33-2357 ♦+	HP-1002 ¹
Fusion	3.0L V6 F/I	33-2340+	HP-2011 ¹
Fusion	3.5L V6 F/I	33-2395+	HP-2011 ¹
Kuga	2.0L L4 DSL	E-2993 ♦	
Mondeo IV	1.6L L4 DSL	33-2393	

* 2 filters required ♦ Intake System Available - see page 81 +Cabin Air Filter Available - see page 453 1- Pro Series Filter Available

AIR & OIL FILTERS

FORD

Vehicle	Engine Type	Air Filter	Oil Filter	Vehicle	Engine Type	Air Filter	Oil Filter
2011 FORD				2010 FORD			
Mondeo IV	1.6L L4 F/I	33-2393		Focus II	1.6L L4 F/I	E-2993 ♦	
Mondeo IV	2.0L L4 DSL	33-2393		Focus II	1.8L L4 F/I	E-2993 ♦	
Mondeo IV	2.0L L4 F/I	33-2393		Focus II	2.0L L4 F/I	E-2993 ♦	HP-1002 ¹
Mustang	3.7L V6 F/I	33-2431 ♦♦	HP-2011 ¹	Focus II	2.5L L5 F/I - RS	E-2993 ♦	
Mustang GT	5.0L V8 F/I	33-2431 ♦♦	HP-2011 ¹	Focus III	1.6L L4 DSL	E-2993 ♦	
Mustang Shelby GT500	5.4L V8 F/I	E-1993 ♦♦	HP-2010 ¹	Focus III	1.6L L4 F/I	E-2993 ♦	
Ranger	2.3L L4 F/I	33-2106-1	HP-1002 ¹	Focus III	2.0L L4 DSL	E-2993 ♦	
Ranger	4.0L V6 F/I	33-2106-1 ♦	HP-2010 ¹	Fusion	1.4L L4 F/I	33-2853	
S-Max	2.0L L4 DSL	33-2393		Fusion	1.6L L4 F/I	33-2853	
S-Max	2.0L L4 F/I	33-2393		Fusion	2.5L L4 F/I	33-2357 ♦♦	HP-1002 ¹
Taurus	3.5L V6 F/I	33-2395 ♦♦	HP-2011 ¹	Fusion	3.0L V6 F/I	33-2340+	HP-2011 ¹
Taurus SHO	3.5L V6 F/I	33-2395 ♦♦	HP-2011 ¹	Fusion	3.5L V6 F/I	33-2395+	HP-2011 ¹
Transit	2.2L L4 DSL	33-3026		Fusion Hybrid	2.5L L4 F/I		HP-1002 ¹
Transit	2.2L L4 DSL - from 9/11, 100/125/140BHP	33-3026		Mondeo IV	2.0L L4 DSL	33-2393	
Transit Connect	2.0L L4 F/I	33-2436	HP-1002 ¹	Mondeo IV	2.0L L4 F/I	33-2393 ♦	
2010 FORD				2010 FORD			
Crown Victoria	4.6L V8 F/I	33-2272 ♦	HP-2010 ¹	Mondeo IV	2.3L L4 F/I	33-2393	
Crown Victoria Police Interceptor	4.6L V8 F/I	33-2272	HP-1002 ¹	Mondeo IV	4.0L V6 F/I	33-2298 ♦♦	HP-2010 ¹
E150	4.6L V8 F/I	E-0945	HP-2010 ¹	Mustang	4.6L V8 F/I	33-2431+	HP-2010 ¹
E150	5.4L V8 F/I	E-0945 ♦	HP-2010 ¹	Mustang GT	4.6L V8 F/I	33-2431 ♦♦	HP-2010 ¹
E250	4.6L V8 F/I	E-0945		Mustang Shelby GT500	5.4L V8 F/I	E-1993 ♦♦	HP-2010 ¹
E250	5.4L V8 F/I	E-0945 ♦	HP-2010 ¹	Ranger	2.3L L4 F/I	33-2106-1	HP-1002 ¹
E350 Super Duty	5.4L V8 F/I	E-0945 ♦	HP-2010 ¹	Ranger	4.0L V6 F/I	33-2106-1 ♦	HP-2010 ¹
E350 Super Duty	6.0L V8 DSL	33-2341	PS-7009	Taurus	3.5L V6 F/I	33-2395 ♦♦	HP-2011 ¹
E350 Super Duty	6.8L V10 F/I	E-0945 ♦	HP-2010 ¹	Taurus SHO	3.5L V6 F/I	33-2395+	HP-2011 ¹
E450 Super Duty	6.8L V10 F/I	E-0945 ♦	HP-2010 ¹	Transit Connect	2.0L L4 F/I	33-2436	HP-1002 ¹
Edge	3.5L V6 F/I	33-2395 ♦♦	HP-2011 ¹	Transit Connect	2.2L L4 DSL		PS-7024
Escape	2.5L L4 F/I	33-2187	HP-1002 ¹	2009 FORD			
Escape	3.0L V6 F/I	E-1990	HP-2011 ¹	Crown Victoria	4.6L V8 F/I	33-2272 ♦	
Escape Hybrid	2.5L L4 F/I	33-2347	HP-1002 ¹	Crown Victoria	4.6L V8 F/I - After 11/13/08	33-2272	HP-2010 ¹
Expedition	5.4L V8 F/I	33-2385 ♦	HP-2010 ¹	Crown Victoria Police Interceptor	4.6L V8 F/I	33-2272	
Explorer	4.0L V6 F/I	33-2366	HP-2010 ¹	Crown Victoria Police Interceptor	4.6L V8 F/I - After 11/13/08	33-2272	HP-1002 ¹
Explorer	4.6L V8 F/I	33-2353	HP-2010 ¹	E150	4.6L V8 F/I	E-0945	HP-2010 ¹
Explorer Sport Trac	4.0L V6 F/I	33-2366	HP-2010 ¹	E150	5.4L V8 F/I	E-0945 ♦	HP-2010 ¹
Explorer Sport Trac	4.6L V8 F/I	33-2353	HP-2010 ¹	E250	4.6L V8 F/I	E-0945	HP-2010 ¹
F150	4.6L V8 F/I	33-2385	HP-2010 ¹	E250	5.4L V8 F/I	E-0945 ♦	HP-2010 ¹
F150	5.4L V8 F/I	33-2385 ♦	HP-2010 ¹	E350 Super Duty	5.4L V8 F/I	E-0945 ♦	HP-2010 ¹
F150	5.4L V8 F/I	33-2385 ♦	HP-2010 ¹	E350 Super Duty	6.0L V8 DSL	33-2341	PS-7009
F250 Super Duty	5.4L V8 F/I	33-2385 ♦	HP-2010 ¹	E350 Super Duty	6.8L V10 F/I	E-0945 ♦	HP-2010 ¹
F250 Super Duty	6.4L V8 DSL	E-0785 ♦	PS-7009	E450 Super Duty	6.8L V10 F/I	E-0945 ♦	HP-2010 ¹
F250 Super Duty	6.8L V10 F/I	33-2385	HP-2010 ¹	Edge	3.5L V6 F/I	33-2395 ♦♦	
F350 Super Duty	5.4L V8 F/I	33-2385 ♦	HP-2010 ¹	Edge	3.5L V6 F/I - Built After 1/15/09	33-2395	HP-2011 ¹
F350 Super Duty	6.4L V8 DSL	E-0785 ♦	PS-7009	Edge	3.5L V6 F/I - Built Before 1/15/09	33-2395	HP-2009 ¹
F350 Super Duty	6.8L V10 F/I	33-2385	HP-2010 ¹	Escape	2.5L L4 F/I	33-2187	
F450 Super Duty	6.4L V8 DSL	E-0785 ♦	PS-7009	Escape	2.5L L4 F/I - Cartridge	33-2187	PS-7013
F450 Super Duty	6.8L V10 F/I	33-2385	HP-2010 ¹	Escape	2.5L L4 F/I - Spin On	33-2187	HP-1002 ¹
F550 Super Duty	6.4L V8 DSL	E-0785 ♦	PS-7009	Escape	3.0L V6 F/I	E-1990	HP-2011 ¹
F550 Super Duty	6.8L V10 F/I	33-2385	HP-2010 ¹	Escape Hybrid	2.5L L4 F/I	33-2347	
F150 SVT Raptor	5.4L V8 F/I	33-2385 ♦	HP-2010 ¹	Escape Hybrid	2.5L L4 F/I - Cartridge	33-2347	PS-7013
F150 SVT Raptor	6.2L V8 F/I	33-2385 ♦	HP-2010 ¹	Escape Hybrid	2.5L L4 F/I - Spin On	33-2347	HP-1002 ¹
Fiesta	1.6L L4 F/I		HP-2009 ¹	Expedition	5.4L V8 F/I	33-2385 ♦	HP-2010 ¹
Fiesta VI	1.4L L4 DSL	33-2840		Explorer	4.0L V6 F/I	33-2366	HP-2010 ¹
Fiesta VI	1.6L L4 DSL	33-2955		Explorer	4.6L V8 F/I	33-2353	HP-2010 ¹
Fiesta VI	1.6L L4 F/I	33-2955 ♦	HP-1002 ¹	Explorer Sport Trac	4.0L V6 F/I	33-2366	HP-2010 ¹
Flex	3.5L V6 F/I	33-2395+	HP-2011 ¹	Explorer Sport Trac	4.6L V8 F/I	33-2353	HP-2010 ¹
Focus	2.0L L4 F/I		HP-1002 ¹	F150	4.6L V8 F/I	33-2385	
Focus	2.0L L4 F/I - US	33-2401 ♦	HP-1002	F150	4.6L V8 F/I - 22mm Thread	33-2385 ♦	
Focus Europa	2.0L L4 F/I		HP-1002 ¹	F150	4.6L V8 F/I - 3/4 thread	33-2385	HP-2009 ¹
Focus II	1.4L L4 F/I	E-2993 ♦		F150	5.4L V8 F/I	33-2385 ♦	HP-2010 ¹
Focus II	1.6L L4 DSL	E-2993 ♦					

* 2 filters required ♦ Intake System Available - see page 81 +Cabin Air Filter Available - see page 453 1- Pro Series Filter Available

FORD

AIR & OIL FILTERS

Vehicle	Engine Type	Air Filter	Oil Filter	Vehicle	Engine Type	Air Filter	Oil Filter
2009 FORD				2008 FORD			
F250 Super Duty	5.4L V8 F/I	33-2385 ♦	HP-2010 ¹	Explorer	4.0L V6 F/I	33-2366	HP-2010 ¹
F250 Super Duty	6.4L V8 DSL	E-0785 ♦	PS-7009	Explorer	4.6L V8 F/I	33-2353 ♦	HP-2010 ¹
F250 Super Duty	6.8L V10 F/I	33-2385	HP-2010 ¹	Explorer Sport Trac	4.0L V6 F/I	33-2366	HP-2010 ¹
F350 Super Duty	5.4L V8 F/I	33-2385 ♦	HP-2010 ¹	Explorer Sport Trac	4.6L V8 F/I	33-2353	HP-2010 ¹
F350 Super Duty	6.4L V8 DSL	E-0785 ♦	PS-7009	F150	4.2L V6 F/I	E-0945 ♦	HP-2009 ¹
F350 Super Duty	6.8L V10 F/I	33-2385	HP-2010 ¹	F150	4.6L V8 F/I	E-0945 ♦	HP-2010 ¹
F450 Super Duty	6.4L V8 DSL	E-0785 ♦	PS-7009	F150	4.6L V8 F/I - 22mm Thread	E-0945	HP-2010 ¹
F450 Super Duty	6.8L V10 F/I	33-2385		F150	4.6L V8 F/I - 3/4 thread	E-0945	HP-2009 ¹
F550 Super Duty	6.4L V8 DSL	E-0785 ♦		F150	5.4L V8 F/I	33-2287 ♦	HP-2010 ¹
Fiesta VI	1.4L L4 DSL	33-2840		F150	5.4L V8 F/I	33-2385 ♦	HP-2010 ¹
Fiesta VI	1.4L L4 F/I	33-2955 ♦		F250 Super Duty	6.4L V8 DSL	E-0785 ♦	PS-7009
Fiesta VI	1.6L L4 DSL	33-2955		F250 Super Duty	6.8L V10 F/I	33-2385	HP-2010 ¹
Fiesta VI	1.6L L4 F/I	33-2955 ♦		F350	5.4L V8 F/I	33-2385	
Flex	3.5L V6 F/I	33-2395 ♦		F350 Super Duty	5.4L V8 F/I	33-2385 ♦	HP-2010 ¹
Flex	3.5L V6 F/I - Built After 1/15/09	33-2395	HP-2011 ¹	F350 Super Duty	6.4L V8 DSL	E-0785 ♦	PS-7009
Flex	3.5L V6 F/I - Built Before 1/15/09	33-2395	HP-2009 ¹	F350 Super Duty	6.8L V10 F/I	33-2385	HP-2010 ¹
Focus	2.0L L4 F/I		HP-1002 ¹	F450 Super Duty	6.4L V8 DSL	E-0785 ♦	PS-7009
Focus	2.0L L4 F/I - US	33-2401 ♦	HP-1002	F450 Super Duty	6.8L V10 F/I	33-2385	HP-2010 ¹
Focus II	1.4L L4 F/I	E-2993 ♦		F550 Super Duty	6.4L V8 DSL	E-0785 ♦	PS-7009
Focus II	1.6L L4 DSL	E-2993 ♦		F550 Super Duty	6.8L V10 F/I	33-2385	HP-2010 ¹
Focus II	1.6L L4 F/I	E-2993 ♦		Falcon	4.0L L6 F/I - Turbo	33-2950	
Focus II	1.8L L4 F/I	E-2993 ♦		Fiesta	1.6L L4 F/I		HP-2009 ¹
Focus II	2.0L L4 DSL	E-2993 ♦		Fiesta Ikon	1.6L L4 F/I		HP-2009 ¹
Focus II	2.0L L4 F/I	E-2993 ♦		Fiesta V	1.6L L4 DSL	33-2883	
Focus II	2.0L L4 F/I	E-2993 ♦		Fiesta V	1.6L L4 F/I	33-2853 ♦	HP-2009 ¹
Focus II	2.5L L5 F/I - RS	E-2993 ♦		Fiesta V	2.0L L4 F/I	33-2880 ♦	
Focus II	2.5L L5 F/I - ST	33-2873 ♦		Fiesta VI	1.25L L4 F/I	33-2955 ♦	
Fusion	1.4L L4 F/I	33-2853		Fiesta VI	1.4L L4 DSL	33-2840 ♦	
Fusion	1.6L L4 F/I	33-2853		Fiesta VI	1.6L L4 DSL	33-2955	
Fusion	2.3L L4 F/I	33-2357 ♦	PS-7013	Fiesta VI	1.6L L4 F/I	33-2955 ♦	
Fusion	3.0L V6 F/I	33-2340 ♦	HP-2010 ¹	Focus	2.0L L4 F/I		HP-1002 ¹
Mustang	4.0L V6 F/I	33-2298 ♦+	HP-2010 ¹	Focus	2.0L L4 F/I - US, Exc. PZEV	33-2401 ♦	HP-1002
Mustang	4.6L V8 F/I	33-2298+	HP-2010 ¹	Focus II	1.4L L4 F/I	E-2993 ♦	
Mustang Bullitt	4.6L V8 F/I	E-1997+	HP-2010 ¹	Focus II	1.6L L4 DSL	E-2993 ♦	
Mustang GT	4.6L V8 F/I	33-2298 ♦+	HP-2010 ¹	Focus II	1.6L L4 F/I	E-2993 ♦	
Mustang Shelby	5.4L V8 F/I	33-2365 ♦+	HP-2010 ¹	Focus II	1.8L L4 DSL	E-2993 ♦	
Ranger	2.3L L4 F/I	33-2106-1	HP-1002 ¹	Focus II	1.8L L4 F/I	E-2993 ♦	
Ranger	4.0L V6 F/I	33-2106-1 ♦	HP-2010 ¹	Focus II	2.0L L4 DSL	E-2993 ♦	
Taurus	3.5L V6 F/I	33-2395		Focus II	2.0L L4 F/I	E-2993 ♦	
Taurus	3.5L V6 F/I - Built After 1/15/09	33-2395	HP-2011 ¹	Focus II	2.0L L4 F/I	E-2993 ♦	
Taurus	3.5L V6 F/I - Built Before 1/15/09	33-2395	HP-2009 ¹	Focus II	2.5L L5 F/I	33-2873 ♦	
Taurus X	3.5L V6 F/I	33-2395	HP-2009 ¹	Fusion	1.4L L4 F/I	33-2853	
2008 FORD				2007 FORD			
Crown Victoria	4.6L V8 F/I	33-2272 ♦	HP-2010 ¹	Crown Victoria	4.6L V8 F/I	33-2272 ♦	HP-2010 ¹
Crown Victoria Police Interceptor	4.6L V8 F/I	33-2272	HP-2010 ¹	Explorer	4.0L V6 F/I	33-2298 ♦+	HP-2010 ¹
E150	4.6L V8 F/I	E-0945	HP-2010 ¹	Explorer	4.6L V8 F/I	33-2298+	HP-2010 ¹
E150	5.4L V8 F/I	E-0945 ♦	HP-2010 ¹	Mustang Bullitt	4.6L V8 F/I	E-1997+	HP-2010 ¹
E250	4.6L V8 F/I	E-0945	HP-2010 ¹	Mustang GT	4.6L V8 F/I	33-2298 ♦+	HP-2010 ¹
E250	5.4L V8 F/I	E-0945 ♦	HP-2010 ¹	Mustang Shelby	5.4L V8 F/I	33-2365 ♦+	HP-2010 ¹
E350 Super Duty	5.4L V8 F/I	E-0945 ♦	HP-2010 ¹	Ranger	2.3L L4 F/I	33-2106-1	HP-1002 ¹
E350 Super Duty	6.0L V8 DSL	33-2341	PS-7009	Ranger	2.5L L4 DSL	E-2296	
E350 Super Duty	6.8L V10 F/I	E-0945 ♦	HP-2010 ¹	Ranger	3.0L L6 DSL	E-2296	
E450 Super Duty	6.0L V8 DSL	33-2341	PS-7009	Ranger	3.0L V6 F/I	33-2106-1 ♦	HP-2009 ¹
E450 Super Duty	6.8L V10 F/I	E-0945 ♦	HP-2010 ¹	Ranger	4.0L V6 F/I	33-2106-1 ♦	HP-2010 ¹
Edge	3.5L V6 F/I	33-2395 ♦+	HP-2009 ¹	Taurus	3.5L V6 F/I	33-2395	HP-2009 ¹
Escape	2.3L L4 F/I	33-2187		Taurus X	3.5L V6 F/I	33-2395	HP-2009 ¹
Escape	2.3L L4 F/I - Cartridge	33-2187	PS-7013	Transit	2.2L L4 DSL		PS-7024
Escape	2.3L L4 F/I - Spin On	33-2187	HP-1002 ¹	Transit	2.4L L4 DSL	33-2861	
Escape	3.0L V6 F/I	33-2187	HP-2010 ¹	2007 FORD			
Escape Hybrid	2.3L L4 F/I	33-2347	PS-7013	Crown Victoria	4.6L V8 F/I	33-2272 ♦	HP-2010 ¹
Expedition	5.4L V8 F/I	33-2385 ♦	HP-2010 ¹				

* 2 filters required ♦ Intake System Available - see page 81 +Cabin Air Filter Available - see page 453 1- Pro Series Filter Available

AIR & OIL FILTERS

FORD

Vehicle	Engine Type	Air Filter	Oil Filter	Vehicle	Engine Type	Air Filter	Oil Filter
2007 FORD				2007 FORD			
Crown Victoria Police Interceptor	4.6L V8 F/I	33-2272	HP-2010 ¹	Focus C-Max	1.8L L4 F/I - to 5/07	33-2877	
E150	4.6L V8 F/I	E-0945	HP-2010 ¹	Focus C-Max	2.0L L4 DSL	33-2886	
E150	5.4L V8 F/I	E-0945 ♦	HP-2010 ¹	Focus C-Max	2.0L L4 F/I	33-2877 ♦	
E250	4.6L V8 F/I	E-0945	HP-2010 ¹	Focus II	1.4L L4 F/I - from 8/07	E-2993 ♦	
E250	5.4L V8 F/I	E-0945 ♦	HP-2010 ¹	Focus II	1.4L L4 F/I - to 7/07	33-2877 ♦	
E350 Super Duty	5.4L V8 F/I	E-0945 ♦	HP-2010 ¹	Focus II	1.6L L4 DSL - from 8/07	E-2993 ♦	
E350 Super Duty	6.0L V8 DSL	33-2341	PS-7009	Focus II	1.6L L4 DSL - to 7/07	33-2874 ♦	
E350 Super Duty	6.8L V10 F/I	E-0945 ♦		Focus II	1.6L L4 F/I - from 8/07	E-2993 ♦	
E450 Super Duty	6.0L V8 DSL	33-2341	PS-7009	Focus II	1.6L L4 F/I - to 7/07	33-2877 ♦	
E450 Super Duty	6.8L V10 F/I	E-0945 ♦	HP-2010 ¹	Focus II	1.8L L4 DSL - from 8/07	E-2993 ♦	
Edge	3.5L V6 F/I	33-2395 ♦+	HP-2009 ¹	Focus II	1.8L L4 DSL - to 7/07	33-2886 ♦	
Escape	2.3L L4 F/I	33-2187		Focus II	1.8L L4 F/I - from 8/07	E-2993 ♦	
Escape	2.3L L4 F/I - Cartridge	33-2187	PS-7013	Focus II	1.8L L4 F/I - to 7/07	33-2877 ♦	
Escape	2.3L L4 F/I - Spin On	33-2187	HP-1002 ¹	Focus II	2.0L L4 DSL - from 8/07	E-2993 ♦	
Escape	3.0L V6 F/I	33-2187	HP-2010 ¹	Focus II	2.0L L4 DSL - to 7/07	33-2886 ♦	
Escape Hybrid	2.3L L4 F/I	33-2347	PS-7013	Focus II	2.0L L4 F/I - from 8/07	E-2993 ♦	
Expedition	5.4L V8 F/I	33-2385 ♦	HP-2010 ¹	Focus II	2.0L L4 F/I - to 7/07	33-2877 ♦	
Explorer	4.0L V6 F/I	33-2366	HP-2010 ¹	Focus II	2.5L L5 F/I	33-2873 ♦	
Explorer	4.6L V8 F/I	33-2353 ♦	HP-2010 ¹	Freestar	4.2L V6 F/I	33-2321 +	
Explorer Sport Trac	4.0L V6 F/I	33-2366	HP-2010 ¹	Freestyle	3.0L V6 F/I	33-2308	HP-2010 ¹
Explorer Sport Trac	4.6L V8 F/I	33-2353	HP-2010 ¹	Fusion	1.4L L4 DSL	33-2840	
F150	4.2L V6 F/I	E-0945 ♦	HP-2009 ¹	Fusion	1.4L L4 F/I	33-2853	
F150	4.6L V8 F/I	E-0945 ♦		Fusion	1.6L L4 DSL	33-2883	
F150	4.6L V8 F/I - 22mm Thread	E-0945	HP-2010 ¹	Fusion	1.6L L4 F/I	33-2853	
F150	4.6L V8 F/I - 3/4 thread	E-0945	HP-2009 ¹	Fusion	2.3L L4 F/I	33-2357 ♦	PS-7013
F150	5.4L V8 F/I	33-2287 ♦	HP-2010 ¹	Fusion	3.0L V6 F/I	33-2340 ♦	HP-2010 ¹
F250 Custom Chassis	6.8L V10 F/I - Class A	33-2313		Mondeo IV	2.0L L4 F/I	33-2393 ♦	
F250 Harley Davidson Super Duty	6.0L V8 DSL	E-0780 ♦	PS-7009	Mustang	4.0L V6 F/I	33-2298 ♦+	HP-2010 ¹
F250 Super Duty	5.4L V8 F/I	33-2287	HP-2010 ¹	Mustang	4.6L V8 F/I	33-2298 +	HP-2010 ¹
F250 Super Duty	6.0L V8 DSL	E-0772 ♦	PS-7009	Mustang GT	4.6L V8 F/I	33-2298 ♦+	HP-2010 ¹
F250 Super Duty	6.0L V8 DSL	E-0780 ♦	PS-7009	Mustang Shelby	5.4L V8 F/I	33-2365 ♦+	HP-2010 ¹
F250 Super Duty	6.8L V10 F/I	33-2313	HP-2010 ¹	Ranger	2.3L L4 F/I	33-2106-1	HP-1002 ¹
F350	5.4L V8 F/I	33-2287		Ranger	2.5L L4 DSL	E-2296	
F350 Cutaway	5.4L V8 F/I - Class C	33-2287		Ranger	3.0L L6 DSL	E-2296	
F350 Cutaway	6.0L V8 DSL - Class C	E-0772 ♦		Ranger	3.0L V6 F/I	33-2106-1 ♦	HP-2009 ¹
F350 Cutaway	6.8L V10 F/I - Class C	33-2313		Ranger	4.0L V6 F/I	33-2106-1 ♦	HP-2010 ¹
F350 Harley Davidson Super Duty	6.0L V8 DSL	E-0780 ♦	PS-7009	Taurus	3.0L V6 F/I	33-2150	HP-2009 ¹
F350 Super Duty	5.4L V8 F/I	33-2287	HP-2010 ¹	Transit	2.2L L4 DSL		PS-7024
F350 Super Duty	6.0L V8 DSL	E-0780 ♦	PS-7009	Transit	2.4L L4 DSL	33-2861	
F350 Super Duty	6.8L V10 F/I	33-2313	HP-2010 ¹	2006 FORD			
F450	6.8L V10 F/I	33-2313		Crown Victoria	4.6L V8 F/I	33-2272 ♦	HP-2010 ¹
F450 Cutaway	6.8L V10 F/I - Class C	33-2313		Crown Victoria Police Interceptor	4.6L V8 F/I	33-2272	HP-2010 ¹
F450 Super Duty	6.0L V8 DSL	E-0780 ♦	PS-7009	E150	4.6L V8 F/I	E-0945	HP-2010 ¹
F450 Super Duty	6.8L V10 F/I	33-2313	HP-2010 ¹	E150	5.4L V8 F/I	E-0945 ♦	HP-2010 ¹
F550 Super Duty	6.0L V8 DSL	E-0780 ♦	PS-7009	E250	4.6L V8 F/I	E-0945	HP-2010 ¹
F550 Super Duty	6.8L V10 F/I	33-2313	HP-2010 ¹	E250	5.4L V8 F/I	E-0945 ♦	HP-2010 ¹
Falcon	4.0L V6 F/I	33-2852		E350 Cutaway	5.4L V8 F/I - Class C	E-0945 ♦	
Falcon	5.4L V8 F/I	33-2852		E350 Cutaway	6.0L V8 DSL - Class C	33-2341	
Fiesta	1.6L L4 F/I		HP-2009 ¹	E350 Cutaway	6.8L V10 F/I - Class C	E-0945 ♦	
Fiesta Ikon	1.6L L4 F/I		HP-1002 ¹	E350 Super Duty	5.4L V8 F/I	E-0945 ♦	HP-2010 ¹
Fiesta V	1.4L L4 DSL	33-2840 ♦		E350 Super Duty	6.0L V8 DSL	33-2341	PS-7009
Fiesta V	1.4L L4 F/I	33-2853 ♦		E350 Super Duty	6.8L V10 F/I	E-0945 ♦	HP-2010 ¹
Fiesta V	1.6L L4 DSL	33-2883		E450 Super Duty	6.0L V8 DSL	33-2341	PS-7009
Fiesta V	1.6L L4 F/I	33-2853 ♦	HP-2009 ¹	E450 Super Duty	6.8L V10 F/I	E-0945 ♦	HP-2010 ¹
Five Hundred	3.0L V6 F/I	33-2308	HP-2010 ¹	Escape	2.3L L4 F/I	33-2187	
Focus	2.0L L4 F/I		HP-1002 ¹	Escape	2.3L L4 F/I - Cartridge	33-2187	PS-7013
Focus	2.3L L4 F/I		HP-1002 ¹	Escape	2.3L L4 F/I - Spin On	33-2187	HP-1002 ¹
Focus C-Max	1.6L L4 DSL - to 5/07	33-2874		Escape	3.0L V6 F/I	33-2187	HP-2010 ¹
Focus C-Max	1.6L L4 F/I - to 5/07	33-2877		Escape Hybrid	2.3L L4 F/I	33-2347	PS-7013
Focus C-Max	1.8L L4 DSL - to 5/07	33-2886		Expedition	5.4L V8 F/I	33-2287 ♦	HP-2010 ¹
				Explorer	4.0L V6 F/I	33-2366	HP-2010 ¹

* 2 filters required ♦ Intake System Available - see page 81 +Cabin Air Filter Available - see page 453 1- Pro Series Filter Available

FORD

AIR & OIL FILTERS

Vehicle	Engine Type	Air Filter	Oil Filter	Vehicle	Engine Type	Air Filter	Oil Filter
2006 FORD				2006 FORD			
Explorer	4.6L V8 F/I	33-2353 ♦	HP-2010 ¹	Mondeo III	2.0L L4 F/I	33-2210 ♦	PS-7013
Explorer Sport Trac	4.0L V6 F/I	33-2366	HP-2010 ¹	Mustang	4.0L V6 F/I	33-2298 ♦+	HP-2010 ¹
F150	4.2L V6 F/I	E-0945 ♦	HP-2009 ¹	Mustang GT	4.6L V8 F/I	33-2298 ♦+	HP-2010 ¹
F150	4.6L V8 F/I	E-0945 ♦		Ranger	2.3L L4 F/I	33-2106-1	HP-1002 ¹
F150	4.6L V8 F/I - 22mm Thread	E-0945	HP-2010 ¹	Ranger	2.5L L4 DSL - from 7/06	E-2296	
F150	4.6L V8 F/I - 3/4 thread	E-0945	HP-2009 ¹	Ranger	2.5L L4 DSL - to 6/06	33-2167	
F150	5.4L V8 F/I	33-2287 ♦	HP-2010 ¹	Ranger	3.0L L6 DSL	E-2296	
F250 Custom Chassis	6.8L V10 F/I - Class A	33-2313		Ranger	3.0L V6 F/I	33-2106-1 ♦	HP-2009 ¹
F250 Harley Davidson Super Duty	6.0L V8 DSL	E-0780 ♦	PS-7009	Ranger	4.0L V6 F/I	33-2106-1 ♦	HP-2010 ¹
F250 Super Duty	5.4L V8 F/I	33-2287 ♦	HP-2010 ¹	Taurus	3.0L V6 F/I	33-2150	HP-2009 ¹
F250 Super Duty	6.0L V8 DSL	E-0780 ♦	PS-7009	2005 FORD			
F250 Super Duty	6.8L V10 F/I	33-2313 ♦	HP-2010 ¹	Crown Victoria	4.6L V8 F/I	33-2272 ♦	HP-2010 ¹
F350	5.4L V8 F/I	33-2287 ♦	HP-2010 ¹	Crown Victoria Police Interceptor	4.6L V8 F/I	33-2272	HP-2010 ¹
F350 Cutaway	5.4L V8 F/I - Class C	33-2287		E150	4.6L V8 F/I	E-0945	HP-2010 ¹
F350 Cutaway	6.0L V8 DSL - Class C	E-0772 ♦		E150	5.4L V8 F/I	E-0945 ♦	HP-2010 ¹
F350 Cutaway	6.8L V10 F/I - Class C	33-2313		E150 Club Wagon	4.6L V8 F/I	E-0945	HP-2010 ¹
F350 Harley Davidson Super Duty	6.0L V8 DSL	E-0780 ♦	PS-7009	E150 Club Wagon	5.4L V8 F/I	E-0945 ♦	HP-2010 ¹
F350 Super Duty	5.4L V8 F/I	33-2287 ♦	HP-2010 ¹	E250	4.6L V8 F/I	E-0945	HP-2010 ¹
F350 Super Duty	6.0L V8 DSL	E-0780 ♦	PS-7009	E250	5.4L V8 F/I	E-0945 ♦	HP-2010 ¹
F350 Super Duty	6.8L V10 F/I	33-2313 ♦	HP-2010 ¹	E250 Club Wagon	5.4L V8 F/I	E-0945 ♦	HP-2010 ¹
F450 Cutaway	6.8L V10 F/I - Class C	33-2313		E250 Super Duty	5.4L V8 F/I	E-0945	HP-2010 ¹
F450 Super Duty	6.0L V8 DSL	E-0780 ♦	PS-7009	E350 Club Wagon	5.4L V8 F/I	E-0945 ♦	HP-2010 ¹
F450 Super Duty	6.8L V10 F/I	HP-2010 ¹		E350 Club Wagon	6.0L V8 DSL	33-2341	PS-7009
F550 Super Duty	6.0L V8 DSL	E-0780 ♦	PS-7009	E350 Club Wagon	6.8L V10 F/I	E-0945 ♦	
F550 Super Duty	6.8L V10 F/I	HP-2010 ¹		E350 Super Duty	5.4L V8 F/I	E-0945 ♦	HP-2010 ¹
Fairmont	4.0L V6 F/I	33-2852		E350 Super Duty	6.0L V8 DSL	33-2341	PS-7009
Falcon	4.0L V6 F/I	33-2852		E350 Super Duty	6.8L V10 F/I	E-0945 ♦	HP-2010 ¹
Falcon	4.0L V6 F/I - DOHC	33-2852	HP-3001 ¹	E350 Super Duty	6.0L V8 DSL	33-2341	PS-7009
Falcon	4.0L V6 F/I - SOHC	33-2852	HP-2010 ¹	E450 Super Duty	6.8L V10 F/I	E-0945 ♦	HP-2010 ¹
Falcon	5.4L V8 F/I	33-2852		E450 Super Duty	6.8L V10 F/I	E-0945 ♦	HP-2010 ¹
Fiesta	1.6L L4 F/I		HP-2009 ¹	Escape	2.3L L4 F/I	33-2187	
Fiesta Ikon	1.6L L4 F/I		HP-1002 ¹	Escape	2.3L L4 F/I - Cartridge	33-2187	PS-7018
Fiesta V	1.6L L4 DSL	33-2883		Escape	2.3L L4 F/I - Spin On	33-2187	HP-1002 ¹
Fiesta V	1.6L L4 F/I	33-2853 ♦	HP-2009 ¹	Escape	3.0L V6 F/I	33-2187	HP-2010 ¹
Five Hundred	3.0L V6 F/I	33-2308	HP-2010 ¹	Escape Hybrid	2.3L L4 F/I	33-2347	PS-7013
Focus	2.0L L4 F/I		HP-1002 ¹	Excursion	5.4L V8 F/I		HP-2010 ¹
Focus	2.3L L4 F/I		HP-1002 ¹	Excursion	5.4L V8 F/I - w/Panel Filter	33-2287 ♦	HP-2010
Focus C-Max	1.6L L4 DSL	33-2874		Excursion	5.4L V8 F/I - w/Round Filter	E-0945 ♦	HP-2010
Focus C-Max	1.6L L4 F/I	33-2877		Excursion	6.0L V8 DSL	E-0780 ♦	PS-7009
Focus C-Max	1.8L L4 DSL	33-2886		Excursion	6.8L V10 F/I	E-0945 ♦	HP-2010 ¹
Focus C-Max	1.8L L4 F/I	33-2877 ♦		Expedition	5.4L V8 F/I	33-2287 ♦	HP-2010 ¹
Focus C-Max	2.0L L4 DSL	33-2886		Explorer	4.0L V6 F/I	33-2207	HP-2010 ¹
Focus C-Max	2.0L L4 F/I	33-2877 ♦		Explorer	4.6L V8 F/I	33-2207 ♦	HP-2010 ¹
Focus II	1.4L L4 F/I	33-2877 ♦		Explorer Sport Trac	4.0L V6 F/I	33-2106-1	HP-2010 ¹
Focus II	1.6L L4 DSL	33-2874 ♦		F150	4.2L V6 F/I	E-0945 ♦	HP-2009 ¹
Focus II	1.6L L4 F/I	33-2877 ♦		F150	4.6L V8 F/I	E-0945 ♦	
Focus II	1.8L L4 DSL	33-2886		F150	4.6L V8 F/I - 22mm Thread	E-0945	HP-2010 ¹
Focus II	1.8L L4 F/I	33-2877 ♦		F150	4.6L V8 F/I - 3/4 thread	E-0945	HP-2009 ¹
Focus II	2.0L L4 DSL	33-2886 ♦		F150	5.4L V8 F/I	33-2287 ♦	HP-2010 ¹
Focus II	2.0L L4 F/I	33-2877 ♦		F250 Harley Davidson Super Duty	6.0L V8 DSL	E-0780 ♦	PS-7009
Focus II	2.5L L5 F/I	33-2873 ♦		F250 Harley Davidson Super Duty	6.8L V10 F/I		HP-2010 ¹
Freestar	4.2L V6 F/I	33-2321+	HP-2009 ¹	F250 Super Duty	5.4L V8 F/I	33-2287 ♦	HP-2010 ¹
Freestyle	3.0L V6 F/I	33-2308	HP-2010 ¹	F250 Super Duty	6.0L V8 DSL	E-0780 ♦	PS-7009
Fusion	1.4L L4 DSL	33-2840		F250 Super Duty	6.8L V10 F/I	33-2313 ♦	HP-2010 ¹
Fusion	1.4L L4 F/I	33-2853		F350	5.4L V8 F/I	33-2287 ♦	
Fusion	1.6L L4 DSL	33-2883		F350 Harley Davidson Super Duty	6.0L V8 DSL	E-0780 ♦	PS-7009
Fusion	1.6L L4 F/I	33-2853		F350 Harley Davidson Super Duty	6.8L V10 F/I		HP-2010 ¹
Fusion	2.3L L4 F/I	33-2357 ♦	PS-7013	F350 Super Duty	5.4L V8 F/I	33-2287 ♦	HP-2010 ¹
Fusion	3.0L V6 F/I	33-2340 ♦	HP-2010 ¹				
GT	5.4L V8 F/I	33-2317*	PS-7007				
Mondeo III	2.0L L4 DSL	33-2210 ♦					

* 2 filters required ♦ Intake System Available - see page 81 +Cabin Air Filter Available - see page 453 1- Pro Series Filter Available

AIR & OIL FILTERS

FORD

Vehicle	Engine Type	Air Filter	Oil Filter	Vehicle	Engine Type	Air Filter	Oil Filter
2005 FORD				2004 FORD			
F350 Super Duty	6.0L V8 DSL	E-0780 ♦	PS-7009	Escape	2.0L L4 F/I	33-2187	HP-2009 ¹
F350 Super Duty	6.8L V10 F/I	33-2313 ♦	HP-2010 ¹	Escape	3.0L V6 F/I	33-2187	HP-2010 ¹
F450 Super Duty	6.0L V8 DSL	E-0780 ♦	PS-7009	Excursion	5.4L V8 F/I	E-0945 ♦	HP-2010 ¹
F450 Super Duty	6.8L V10 F/I		HP-2010 ¹	Excursion	6.0L V8 DSL	E-0780 ♦	PS-7009
F550 Super Duty	6.0L V8 DSL	E-0780 ♦	PS-7009	Excursion	6.8L V10 F/I	E-0945 ♦	HP-2010 ¹
F550 Super Duty	6.8L V10 F/I		HP-2010 ¹	Expedition	4.6L V8 F/I	E-0945 ♦	HP-2010 ¹
Fairmont	4.0L V6 F/I	33-2852		Expedition	5.4L V8 F/I	E-0945 ♦	HP-2010 ¹
Fairmont	5.4L V8 F/I	33-2852		Explorer	4.0L V6 F/I	33-2207	HP-2010 ¹
Falcon	4.0L V6 F/I	33-2852		Explorer	4.6L V8 F/I	33-2207 ♦	HP-2010 ¹
Falcon	5.4L V8 F/I		HP-2010 ¹	Explorer Sport	4.0L V6 F/I	33-2106-1	HP-2010 ¹
Falcon	5.4L V8 F/I - DOHC	E-0945	HP-2010	Explorer Sport Trac	4.0L V6 F/I	33-2106-1 ♦	HP-2010 ¹
Falcon	5.4L V8 F/I - SOHC	33-2852	HP-2010	F150	4.2L V6 F/I	E-0945 ♦	HP-2009 ¹
Fiesta	1.6L L4 F/I		HP-2009 ¹	F150	4.6L V8 F/I	E-0945 ♦	HP-2009 ¹
Fiesta Ikon	1.6L L4 F/I		HP-1002 ¹	F150	4.6L V8 F/I - 22mm Thread	E-0945	HP-2010 ¹
Fiesta V	1.6L L4 F/I	33-2853 ♦	HP-2009 ¹	F150	4.6L V8 F/I - 3/4 thread	E-0945	HP-2009 ¹
Five Hundred	3.0L V6 F/I	33-2308	HP-2010 ¹	F150	5.4L V8 F/I	33-2287 ♦	HP-2010 ¹
Focus	2.0L L4 F/I		HP-1002 ¹	F150 Heritage	4.6L V8 F/I	E-0945 ♦	HP-2010 ¹
Focus	2.3L L4 F/I		HP-1002 ¹	F150 Heritage	5.4L V8 F/I	E-0945 ♦	HP-2010 ¹
Focus C-Max	1.6L L4 DSL	33-2874		F150 Heritage	5.4L V8 F/I	E-0945 ♦	HP-2010 ¹
Focus C-Max	1.6L L4 F/I	33-2877		F150 Lightning	5.4L V8 F/I	33-2140-1 ♦	HP-2010 ¹
Focus C-Max	1.8L L4 DSL	33-2886		F250 Harley	6.0L V8 DSL	E-0780 ♦	PS-7009
Focus C-Max	1.8L L4 F/I	33-2877 ♦		Davidson Super Duty			
Focus C-Max	2.0L L4 DSL	33-2886		F250 Harley	6.8L V10 F/I		HP-2010 ¹
Focus C-Max	2.0L L4 F/I	33-2877 ♦		Davidson Super Duty			
Focus II	1.4L L4 F/I	33-2877 ♦		F250 Super Duty	5.4L V8 F/I	E-0945 ♦	HP-2010 ¹
Focus II	1.6L L4 DSL	33-2874 ♦		F250 Super Duty	6.0L V8 DSL	E-0780 ♦	PS-7009
Focus II	1.6L L4 F/I	33-2877 ♦		F250 Super Duty	6.8L V10 F/I	E-0945 ♦	HP-2010 ¹
Focus II	1.8L L4 DSL	33-2886		F350	5.4L V8 F/I	E-0945 ♦	
Focus II	1.8L L4 F/I	33-2877 ♦		F350 Harley	6.0L V8 DSL	E-0780	PS-7009
Focus II	2.0L L4 DSL	33-2886 ♦		Davidson Super Duty			
Focus II	2.0L L4 F/I	33-2877 ♦		F350 Harley	6.8L V10 F/I		HP-2010 ¹
Focus II	2.5L L5 F/I	33-2873 ♦		Davidson Super Duty			
Freestar	3.9L V6 F/I	33-2321+	HP-2009 ¹	F350 Super Duty	5.4L V8 F/I	E-0945 ♦	HP-2010 ¹
Freestar	4.2L V6 F/I	33-2321+	HP-2009 ¹	F350 Super Duty	6.0L V8 DSL	E-0780 ♦	PS-7009
Freestyle	3.0L V6 F/I	33-2308	HP-2010 ¹	F350 Super Duty	6.8L V10 F/I	E-0945 ♦	HP-2010 ¹
GT	5.4L V8 F/I	33-2317*	PS-7007	F450 Super Duty	6.0L V8 DSL	E-0780 ♦	PS-7009
Mustang	4.0L V6 F/I	33-2298 ♦♦	HP-2010 ¹	F450 Super Duty	6.8L V10 F/I	E-0945	HP-2010 ¹
Mustang GT	4.6L V8 F/I	33-2298 ♦♦	HP-2010 ¹	F450 Super Duty	6.8L V10 F/I	E-0945	HP-2010 ¹
Ranger	2.3L L4 F/I	33-2106-1	HP-2009 ¹	F550 Super Duty	6.0L V8 DSL	E-0780 ♦	PS-7009
Ranger	2.5L L4 DSL	33-2167		F550 Super Duty	6.8L V10 F/I	E-0945	
Ranger	3.0L V6 F/I	33-2106-1 ♦	HP-2009 ¹	Fairmont	4.0L V6 F/I	33-2852	
Ranger	4.0L V6 F/I	33-2106-1 ♦	HP-2010 ¹	Falcon	4.0L V6 F/I	33-2852	
Taurus	3.0L V6 F/I	33-2150		Falcon	5.4L V8 F/I - SOHC	33-2852	
Taurus	3.0L V6 F/I - DOHC	33-2150	HP-2010 ¹	Focus	1.4L L4 F/I	33-2819 ♦	
Taurus	3.0L V6 F/I - OHV	33-2150	HP-2009 ¹	Focus	1.6L L4 F/I	33-2819 ♦	
Thunderbird	3.9L V8 F/I	33-2266 ♦♦	HP-1014	Focus	1.8L L4 DSL	33-2819 ♦	
				Focus	1.8L L4 F/I	33-2819 ♦	
				Focus	2.0L L4 F/I - DOHC		HP-2009 ¹
				Focus	2.0L L4 F/I - Non-US	33-2819 ♦	
				Focus	2.0L L4 F/I - SOHC		HP-2009 ¹
				Focus	2.3L L4 F/I		HP-1002 ¹
				Focus C-Max	1.6L L4 DSL	33-2874	
				Focus C-Max	1.6L L4 F/I	33-2877	
				Focus C-Max	1.8L L4 DSL	33-2886	
				Focus C-Max	1.8L L4 F/I	33-2877 ♦	
				Focus C-Max	2.0L L4 DSL	33-2886	
				Focus C-Max	2.0L L4 F/I	33-2877 ♦	
				Focus II	1.4L L4 F/I	33-2877 ♦	
				Focus II	1.6L L4 DSL	33-2874 ♦	
				Focus II	1.6L L4 F/I	33-2877 ♦	
				Focus II	1.8L L4 F/I	33-2877 ♦	
				Focus II	2.0L L4 DSL	33-2886 ♦	
				Focus II	2.0L L4 F/I	33-2877 ♦	
				Focus RS	2.0L L4 F/I	33-2266 ♦	
				Focus ST170	2.0L L4 F/I	33-2819 ♦	
				Focus SVT	2.0L L4 F/I	33-2819 ♦	HP-2009 ¹
2004 FORD				2004 FORD			
Crown Victoria	4.6L V8 F/I	33-2272 ♦	HP-2010 ¹				
Crown Victoria Police Interceptor	4.6L V8 F/I	33-2272	HP-2010 ¹				
E150	4.6L V8 F/I	E-0945	HP-2010 ¹				
E150	5.4L V8 F/I	E-0945 ♦	HP-2010 ¹				
E150 Club Wagon	4.6L V8 F/I	E-0945	HP-2010 ¹				
E150 Club Wagon	5.4L V8 F/I	E-0945 ♦	HP-2010 ¹				
E250	4.6L V8 F/I	E-0945					
E250	5.4L V8 F/I	E-0945 ♦	HP-2010 ¹				
E250 Super Duty	5.4L V8 F/I	E-0945	HP-2010 ¹				
E350 Club Wagon	5.4L V8 F/I	E-0945 ♦	HP-2010 ¹				
E350 Club Wagon	6.0L V8 DSL	33-2341	PS-7009				
E350 Super Duty	5.4L V8 F/I	E-0945 ♦	HP-2010 ¹				
E350 Super Duty	6.0L V8 DSL	33-2341	PS-7009				
E350 Super Duty	6.8L V10 F/I	E-0945 ♦	HP-2010 ¹				
E450 Super Duty	6.0L V8 DSL	33-2341	PS-7009				
E450 Super Duty	6.8L V10 F/I	E-0945 ♦	HP-2010 ¹				

* 2 filters required ♦ Intake System Available - see page 81 +Cabin Air Filter Available - see page 453 1- Pro Series Filter Available

FORD

AIR & OIL FILTERS

Vehicle	Engine Type	Air Filter	Oil Filter	Vehicle	Engine Type	Air Filter	Oil Filter
2004 FORD				2003 FORD			
Freestar	3.9L V6 F/I		HP-2009 ¹	F350 Super Duty	6.0L V8 DSL	E-0780 ♦	PS-7009
Freestar	4.2L V6 F/I		HP-2009 ¹	F350 Super Duty	6.8L V10 F/I	E-0945 ♦	HP-2010 ¹
Mondeo III	2.0L L4 DSL	33-2210 ♦		F350 Super Duty	7.3L V8 DSL	33-2248 ♦	HP-6001 ¹
Mondeo III	2.0L L4 F/I	33-2210 ♦	PS-7013	F450 Super Duty	6.0L V8 DSL	E-0780 ♦	PS-7009
Mustang	3.8L V6 F/I	E-0940 ♦	HP-2009 ¹	F450 Super Duty	6.8L V10 F/I	E-0945	HP-2010 ¹
Mustang	3.9L V6 F/I	E-0940	HP-2009 ¹	F450 Super Duty	7.3L V8 DSL	33-2248	HP-6001 ¹
Mustang GT	4.6L V8 F/I	E-0945 ♦	HP-2010 ¹	F550 Super Duty	6.0L V8 DSL	E-0780 ♦	PS-7009
Mustang Mach 1	4.6L V8 F/I	E-0945 ♦	HP-2010 ¹	F550 Super Duty	7.3L V8 DSL	33-2248	HP-6001 ¹
Mustang SVT Cobra	4.6L V8 F/I	E-0945 ♦	HP-2010 ¹	Falcon	4.0L V6 F/I	33-2852	
Ranger	2.3L L4 F/I	33-2106-1	HP-2009 ¹	Falcon	4.0L V6 F/I - DOHC	33-2852	HP-3001 ¹
Ranger	2.5L L4 DSL	33-2167		Falcon	4.0L V6 F/I - SOHC	33-2852	HP-2010 ¹
Ranger	3.0L V6 F/I	33-2106-1 ♦	HP-2009 ¹	Falcon	5.4L V8 F/I		HP-2010 ¹
Ranger	4.0L V6 F/I	33-2106-1 ♦	HP-2010 ¹	Falcon	5.4L V8 F/I - DOHC	E-0945	HP-2010
Street KA	1.6L L4 F/I	33-2862 ♦		Falcon	5.4L V8 F/I - SOHC	33-2852	HP-2010
Taurus	3.0L V6 F/I	33-2150		Fiesta V	1.25L L4 F/I	33-2853 ♦	
Taurus	3.0L V6 F/I - DOHC	33-2150	HP-2010 ¹	Focus	1.4L L4 F/I	33-2819 ♦	
Taurus	3.0L V6 F/I - OHV	33-2150	HP-2009 ¹	Focus	1.6L L4 F/I	33-2819 ♦	
Thunderbird	3.9L V8 F/I	33-2266 ♦+	HP-1014	Focus	1.8L L4 DSL	33-2819 ♦	
2003 FORD				Focus	1.8L L4 F/I	33-2819 ♦	
Crown Victoria	4.6L V8 F/I	33-2272 ♦	HP-2010 ¹	Focus	2.0L L4 F/I	33-2819 ♦	HP-2009 ¹
E150	4.2L V6 F/I	E-0945	HP-2009 ¹			33-2819 ♦	HP-2009 ¹
E150	4.6L V8 F/I	E-0945	HP-2010 ¹	Focus	2.3L L4 F/I		HP-1002 ¹
E150	5.4L V8 F/I	E-0945 ♦	HP-2010 ¹	Focus C-Max	1.6L L4 DSL	33-2874	
E150 Club Wagon	4.2L V6 F/I	E-0945	HP-2009 ¹	Focus C-Max	1.6L L4 F/I	33-2877	
E150 Club Wagon	4.6L V8 F/I	E-0945	HP-2010 ¹	Focus C-Max	1.8L L4 DSL	33-2886	
E150 Club Wagon	5.4L V8 F/I	E-0945 ♦	HP-2010 ¹	Focus C-Max	1.8L L4 F/I	33-2877 ♦	
E250	4.2L V6 F/I	E-0945		Focus RS	2.0L L4 F/I	33-2266 ♦	
E250	5.4L V8 F/I	E-0945 ♦	HP-2010 ¹	Focus ST170	2.0L L4 F/I	33-2819 ♦	
E350 Club Wagon	5.4L V8 F/I	E-0945 ♦	HP-2010 ¹	Focus SVT	2.0L L4 F/I	33-2819 ♦	HP-2009 ¹
E350 Club Wagon	6.8L V10 F/I	E-0945 ♦	HP-2010 ¹	Grand Marquis	4.6L V8 F/I		HP-2010 ¹
E350 Club Wagon	7.3L V8 DSL	33-2127*	HP-6001 ¹	Mustang	3.8L V6 F/I	E-0940 ♦	HP-2009 ¹
E350 Super Duty	5.4L V8 F/I	E-0945 ♦	HP-2010 ¹	Mustang	4.6L V8 F/I	E-0945	HP-2010 ¹
E350 Super Duty	6.8L V10 F/I	E-0945 ♦	HP-2010 ¹	Mustang GT	4.6L V8 F/I	E-0945 ♦	HP-2010 ¹
E350 Super Duty	7.3L V8 DSL	33-2127*	HP-6001 ¹	Mustang Mach 1	4.6L V8 F/I	E-0945 ♦	HP-2010 ¹
E450 Super Duty	6.8L V10 F/I	E-0945 ♦	HP-2010 ¹	Mustang SVT Cobra	4.6L V8 F/I	E-0945 ♦	HP-2010 ¹
E450 Super Duty	7.3L V8 DSL	33-2127*	HP-6001 ¹	Ranger	2.3L L4 F/I	33-2106-1 ♦	HP-2009 ¹
E450 Super Duty Stripped Chassis	6.8L V10 F/I	E-0945	HP-2010 ¹	Ranger	2.5L L4 DSL	33-2167	
E450 Super Duty Stripped Chassis	7.3L V8 DSL	33-2127*	HP-6001 ¹	Ranger	3.0L V6 F/I	33-2106-1 ♦	HP-2009 ¹
Escape	2.0L L4 F/I	33-2187	HP-2009 ¹	Ranger	4.0L V6 F/I	33-2106-1 ♦	HP-2010 ¹
Escape	3.0L V6 F/I	33-2187	HP-2010 ¹	Taurus	3.0L V6 F/I	33-2150	
Escort ZX2	2.0L L4 F/I	E-0995 ♦	HP-2009 ¹	Taurus	3.0L V6 F/I - DOHC	33-2150	HP-2010 ¹
Excursion	5.4L V8 F/I	E-0945 ♦	HP-2010 ¹	Taurus	3.0L V6 F/I - OHV	33-2150	HP-2009 ¹
Excursion	6.0L V8 DSL	E-0780 ♦	PS-7009	Thunderbird	3.9L V8 F/I	33-2266 ♦+	HP-1014
Excursion	6.8L V10 F/I	E-0945 ♦	HP-2010 ¹	Windstar	3.8L V6 F/I	E-0995+	HP-2009 ¹
Excursion	7.3L V8 DSL	33-2248 ♦	HP-6001 ¹	2002 FORD			
Expedition	4.6L V8 F/I	E-0945 ♦	HP-2010 ¹	Crown Victoria	4.6L V8 F/I	33-2272 ♦	HP-2010 ¹
Expedition	5.4L V8 F/I	E-0945 ♦	HP-2010 ¹	E150 Econoline	4.2L V6 F/I	E-0945	
Explorer	4.0L V6 F/I	33-2207 ♦	HP-2010 ¹	E150 Econoline	4.6L V8 F/I	E-0945	HP-2010 ¹
Explorer	4.6L V8 F/I	33-2207 ♦	HP-2010 ¹	E150 Econoline	5.4L V8 F/I	E-0945 ♦	HP-2010 ¹
Explorer Sport	4.0L V6 F/I	33-2106-1 ♦	HP-2010 ¹	E150 Econoline Club Wagon	4.2L V6 F/I	E-0945	
Explorer Sport Trac	4.0L V6 F/I	33-2106-1 ♦	HP-2010 ¹	E150 Econoline Club Wagon	4.6L V8 F/I	E-0945	HP-2010 ¹
F150	4.2L V6 F/I	E-0945 ♦	HP-2009 ¹	E150 Econoline Club Wagon	5.4L V8 F/I	E-0945 ♦	HP-2010 ¹
F150	4.6L V8 F/I	E-0945 ♦	HP-2010 ¹	E250 Econoline	5.4L V8 F/I	E-0945 ♦	HP-2010 ¹
F150	5.4L V8 F/I	E-0945 ♦	HP-2010 ¹	E350 Econoline Club Wagon	5.4L V8 F/I	E-0945 ♦	HP-2010 ¹
F150 Harley Davidson	5.4L V8 F/I	33-2140-1 ♦	HP-2010 ¹	E350 Econoline Club Wagon	6.8L V10 F/I	E-0945 ♦	HP-2010 ¹
F150 Lightning	5.4L V8 F/I	33-2140-1 ♦	HP-2010 ¹	E350 Econoline Club Wagon	7.3L V8 DSL	33-2127*	HP-6001 ¹
F250 Super Duty	5.4L V8 F/I	E-0945 ♦	HP-2010 ¹	E350 Super Duty	7.3L V8 DSL	33-2127*	HP-6001 ¹
F250 Super Duty	6.0L V8 DSL	E-0780 ♦	PS-7009	E450 Econoline Super Duty	6.8L V10 F/I	E-0945 ♦	HP-2010 ¹
F250 Super Duty	6.8L V10 F/I	E-0945 ♦	HP-2010 ¹				
F250 Super Duty	7.3L V8 DSL	33-2248 ♦	HP-6001 ¹				
F350 Super Duty	5.4L V8 F/I	E-0945 ♦	HP-2010 ¹				

* 2 filters required ♦ Intake System Available - see page 81 +Cabin Air Filter Available - see page 453 1- Pro Series Filter Available

AIR & OIL FILTERS

FORD

Vehicle	Engine Type	Air Filter	Oil Filter	Vehicle	Engine Type	Air Filter	Oil Filter
2002 FORD				2001 FORD			
E450 Econoline Super Duty	7.3L V8 DSL	33-2127*	HP-6001 ¹	E150 Econoline	5.4L V8 F/I	E-0945 ♦	HP-2010 ¹
E450 Econoline Super Duty Stripped	6.8L V10 F/I	E-0945	HP-2010 ¹	E150 Econoline Club Wagon	4.2L V6 F/I	E-0945	HP-2009 ¹
E450 Econoline Super Duty Stripped	7.3L V8 DSL	33-2127*	HP-6001 ¹	E150 Econoline Club Wagon	4.6L V8 F/I	E-0945	HP-2010 ¹
E450 Motorhome	6.8L V10 F/I - Class C	E-0945 ♦		E150 Econoline Club Wagon	5.4L V8 F/I	E-0945 ♦	HP-2010 ¹
Escape	2.0L L4 F/I	33-2187	HP-2009 ¹	E250 Econoline	4.2L V6 F/I	E-0945	
Escape	3.0L V6 F/I	33-2187	HP-2010 ¹	E250 Econoline	5.4L V8 F/I	E-0945 ♦	HP-2010 ¹
Escort	2.0L L4 F/I	E-0995	HP-2009 ¹	E350 Econoline Club Wagon	5.4L V8 F/I	E-0945 ♦	HP-2010 ¹
Escort ZX2	2.0L L4 F/I	E-0995 ♦	HP-2009 ¹	E350 Econoline Club Wagon	6.8L V10 F/I	E-0945 ♦	
Excursion	5.4L V8 F/I	E-0945 ♦	HP-2010 ¹	E350 Econoline Club Wagon	7.3L V8 DSL	33-2127*	HP-6001 ¹
Excursion	6.8L V10 F/I	E-0945 ♦	HP-2010 ¹	E350 Super Duty	7.3L V8 DSL	33-2127*	HP-6001 ¹
Excursion	7.3L V8 DSL	33-2248 ♦	HP-6001 ¹	E450 Econoline Super Duty	6.8L V10 F/I	E-0945 ♦	HP-2010 ¹
Expedition	4.6L V8 F/I	E-0945 ♦	HP-2010 ¹	E450 Econoline Super Duty	7.3L V8 DSL	33-2127*	HP-6001 ¹
Expedition	5.4L V8 F/I	E-0945 ♦	HP-2010 ¹	E450 Econoline Super Duty Stripped	6.8L V10 F/I	E-0945	HP-2010 ¹
Explorer	4.0L V6 F/I	33-2207 ♦	HP-2010 ¹	E450 Econoline Super Duty Stripped	7.3L V8 DSL	33-2127*	HP-6001 ¹
Explorer	4.6L V8 F/I	33-2207 ♦	HP-2010 ¹	E450 Motorhome	6.8L V10 F/I - Class C	E-0945 ♦	
Explorer Sport	4.0L V6 F/I	33-2106-1 ♦	HP-2010 ¹	Escape	2.0L L4 F/I	33-2187	HP-2009 ¹
Explorer Sport Trac	4.0L V6 F/I	33-2106-1 ♦	HP-2010 ¹	Escape	3.0L V6 F/I	33-2187	HP-2010 ¹
F150	4.2L V6 F/I	E-0945 ♦	HP-2009 ¹	Escort	2.0L L4 F/I	E-0995	HP-2009 ¹
F150	4.6L V8 F/I	E-0945 ♦	HP-2010 ¹	Escort ZX2	2.0L L4 F/I	E-0995 ♦	HP-2009 ¹
F150	5.4L V8 F/I	E-0945 ♦	HP-2010 ¹	Excursion	5.4L V8 F/I	E-0945 ♦	HP-2010 ¹
F150 Harley Davidson	5.4L V8 F/I	33-2140-1 ♦	HP-2010 ¹	Excursion	6.8L V10 F/I	E-0945 ♦	HP-2010 ¹
F150 Lightning	5.4L V8 F/I	33-2140-1 ♦	HP-2010 ¹	Excursion	7.3L V8 DSL	33-2248 ♦	HP-6001 ¹
F250 Super Duty	5.4L V8 F/I	E-0945 ♦	HP-2010 ¹	Expedition	4.6L V8 F/I	E-0945 ♦	HP-2010 ¹
F250 Super Duty	6.8L V10 F/I	E-0945 ♦	HP-2010 ¹	Expedition	5.4L V8 F/I	E-0945 ♦	HP-2010 ¹
F250 Super Duty	7.3L V8 DSL	33-2248 ♦	HP-6001 ¹	Explorer	4.0L V6 F/I	33-2106-1 ♦	
F350 Super Duty	5.4L V8 F/I	E-0945 ♦	HP-2010 ¹	Explorer	4.0L V6 F/I - 22mm Thread	33-2106-1	HP-2010 ¹
F350 Super Duty	6.8L V10 F/I	E-0945 ♦	HP-2010 ¹	Explorer	4.0L V6 F/I - 3/4 thread	33-2106-1	HP-3001 ¹
F350 Super Duty	7.3L V8 DSL	33-2248 ♦	HP-6001 ¹	Explorer	5.0L V8 F/I	33-2106-1	HP-2010 ¹
F450 Super Duty	6.8L V10 F/I	E-0945	HP-2010 ¹	Explorer Sport	4.0L V6 F/I	33-2106-1 ♦	
F450 Super Duty	7.3L V8 DSL	33-2248	HP-6001 ¹	Explorer Sport	4.0L V6 F/I - 22mm Thread	33-2106-1	HP-2010 ¹
F450 Super Duty	6.8L V10 F/I	E-0945	HP-2010 ¹	Explorer Sport	4.0L V6 F/I - 3/4 thread	33-2106-1	HP-3001 ¹
F550 Super Duty	7.3L V8 DSL	33-2248	HP-6001 ¹	Explorer Sport Trac	4.0L V6 F/I	33-2106-1 ♦	
F550 Super Duty	7.3L V8 DSL	33-2248	HP-6001 ¹	Explorer Sport Trac	4.0L V6 F/I - 22mm Thread	33-2106-1	HP-2010 ¹
Fairmont	5.4L V8 F/I	33-2852		Explorer Sport Trac	4.0L V6 F/I - 3/4 thread	33-2106-1	HP-3001 ¹
Falcon	5.4L V8 F/I - SOHC	33-2852		F150	4.2L V6 F/I	E-0945 ♦	HP-2009 ¹
Focus	1.4L L4 F/I	33-2819 ♦		F150	4.6L V8 F/I	E-0945 ♦	HP-2010 ¹
Focus	1.6L L4 F/I	33-2819 ♦		F150	5.4L V8 F/I	E-0945 ♦	HP-2010 ¹
Focus	1.8L L4 DSL	33-2819 ♦		F150 Harley Davidson	5.4L V8 F/I	E-0945 ♦	HP-2010 ¹
Focus	1.8L L4 F/I	33-2819 ♦		F150 Lightning	5.4L V8 F/I	33-2140-1 ♦	HP-2010 ¹
Focus	2.0L L4 F/I	33-2819 ♦	HP-2009 ¹	F250 Super Duty	5.4L V8 F/I	E-0945 ♦	HP-2010 ¹
Focus RS	2.0L L4 F/I	33-2266 ♦		F250 Super Duty	6.8L V10 F/I	E-0945 ♦	HP-2010 ¹
Focus ST170	2.0L L4 F/I	33-2819 ♦		F250 Super Duty	7.3L V8 DSL	33-2248 ♦	HP-6001 ¹
Focus SVT	2.0L L4 F/I	33-2819 ♦	HP-2009 ¹	F350 Super Duty	5.4L V8 F/I	E-0945 ♦	HP-2010 ¹
Mustang	3.8L V6 F/I	E-0940 ♦	HP-2009 ¹	F350 Super Duty	6.8L V10 F/I	E-0945 ♦	HP-2010 ¹
Mustang	4.6L V8 F/I	E-0945	HP-2010 ¹	F350 Super Duty	7.3L V8 DSL	33-2248 ♦	HP-6001 ¹
Mustang GT	4.6L V8 F/I	E-0945 ♦	HP-2010 ¹	F450 Super Duty	6.8L V10 F/I	E-0945 ♦	HP-2010 ¹
Ranger	2.3L L4 F/I	33-2106-1 ♦	HP-2009 ¹	F450 Super Duty	6.8L V10 F/I	E-0945 ♦	HP-2010 ¹
Ranger	2.5L L4 DSL	33-2167		F450 Super Duty	7.3L V8 DSL	33-2248	HP-6001 ¹
Ranger	3.0L V6 F/I	33-2106-1 ♦	HP-2009 ¹	F450 Super Duty	7.3L V8 DSL	33-2248	HP-6001 ¹
Ranger	4.0L V6 F/I	33-2106-1 ♦	HP-2010 ¹	F550 Super Duty	6.8L V10 F/I	E-0945	HP-2010 ¹
Sable	3.0L V6 F/I		HP-2010 ¹	F550 Super Duty	7.3L V8 DSL	33-2248	HP-6001 ¹
Taurus	3.0L V6 F/I	33-2150		Focus	1.4L L4 F/I	33-2819 ♦	
Taurus	3.0L V6 F/I - DOHC	33-2150	HP-2010 ¹	Focus	1.6L L4 F/I	33-2819 ♦	
Taurus	3.0L V6 F/I - OHV	33-2150	HP-2009 ¹	Focus	1.8L L4 DSL	33-2819 ♦	
Thunderbird	3.9L V8 F/I	33-2266+	HP-1014	Focus	1.8L L4 F/I	33-2819 ♦	
Windstar	3.8L V6 F/I	E-0995+	HP-2009 ¹				
2001 FORD							
Crown Victoria	4.6L V8 F/I	33-2272 ♦	HP-2010 ¹				
E150 Econoline	4.2L V6 F/I	E-0945	HP-2009 ¹				
E150 Econoline	4.6L V8 F/I	E-0945	HP-2010 ¹				

* 2 filters required ♦ Intake System Available - see page 81 +Cabin Air Filter Available - see page 453 1- Pro Series Filter Available

FORD

AIR & OIL FILTERS

Vehicle	Engine Type	Air Filter	Oil Filter
2001 FORD			
Focus	2.0L L4 F/I	33-2819 ♦	HP-2009 ¹
		33-2819 ♦	HP-2009 ¹
Mondeo III	2.5L V6 F/I	33-2210 ♦	HP-2010 ¹
Mustang	3.8L V6 F/I	E-0940 ♦	HP-2009 ¹
Mustang	4.6L V8 F/I	E-0945	HP-2010 ¹
Mustang GT	4.6L V8 F/I	E-0945 ♦	HP-2010 ¹
Mustang GT Bullitt	4.6L V8 F/I	E-0945 ♦	HP-2010 ¹
Mustang SVT Cobra	4.6L V8 F/I	E-0945 ♦	HP-2010 ¹
Ranger	2.3L L4 F/I	33-2106-1 ♦	HP-2009 ¹
Ranger	2.5L L4 DSL	33-2167	
Ranger	2.5L L4 F/I	33-2106-1 ♦	HP-2009 ¹
Ranger	3.0L V6 F/I	33-2106-1 ♦	HP-2009 ¹
Ranger	4.0L V6 F/I	33-2106-1 ♦	HP-2010 ¹
Taurus	3.0L V6 F/I	33-2150	
Taurus	3.0L V6 F/I - DOHC	33-2150	HP-2010 ¹
Taurus	3.0L V6 F/I - OHV	33-2150	HP-2009 ¹
Transit	2.4L L4 DSL	33-2861	
Windstar	3.8L V6 F/I	E-0995+	HP-2009 ¹

Vehicle	Engine Type	Air Filter	Oil Filter
2000 FORD			
Contour	2.0L L4 F/I	33-2132	HP-2009 ¹
Contour	2.5L V6 F/I	33-2115-1	HP-2010 ¹
Contour SVT	2.5L V6 F/I	E-0998	HP-2010 ¹
Crown Victoria	4.6L V8 F/I	33-2272 ♦	HP-2010 ¹
E150 Econoline	4.2L V6 F/I	E-0945	
E150 Econoline	4.6L V8 F/I	E-0945	HP-2010 ¹
E150 Econoline	5.4L V8 F/I	E-0945 ♦	HP-2010 ¹
E150 Econoline Club Wagon	4.2L V6 F/I	E-0945	
E150 Econoline Club Wagon	4.6L V8 F/I	E-0945	HP-2010 ¹
E150 Econoline Club Wagon	5.4L V8 F/I	E-0945 ♦	HP-2010 ¹
E250 Econoline	4.2L V6 F/I	E-0945	
E250 Econoline	5.4L V8 F/I	E-0945 ♦	HP-2010 ¹
E350 Econoline	5.4L V8 F/I	E-0945 ♦	HP-2010 ¹
E350 Econoline Club Wagon	5.4L V8 F/I	E-0945 ♦	HP-2010 ¹
E350 Econoline Club Wagon	6.8L V10 F/I	E-0945 ♦	HP-2010 ¹
E350 Econoline Club Wagon	7.3L V8 DSL	33-2127*	HP-6001 ¹
E350 Super Duty	7.3L V8 DSL	33-2127*	HP-6001 ¹
E450 Econoline Super Duty	6.8L V10 F/I	E-0945 ♦	HP-2010 ¹
E450 Econoline Super Duty	7.3L V8 DSL	33-2127*	HP-6001 ¹
E450 Econoline Super Duty Stripped	7.3L V8 DSL	33-2127*	HP-6001 ¹
E450 Econoline Super Duty Stripped	7.3L V8 DSL	33-2127*	HP-6001 ¹
E450 Motorhome	6.8L V10 F/I - Class C	E-0945 ♦	
Escort	2.0L L4 F/I	E-0995	HP-2009 ¹
Escort ZX2	2.0L L4 F/I	E-0995 ♦	HP-2009 ¹
Excursion	5.4L V8 F/I	E-0945 ♦	HP-2010 ¹
Excursion	6.8L V10 F/I	E-0945 ♦	HP-2010 ¹
Excursion	7.3L V8 DSL	33-2248 ♦	HP-6001 ¹
Expedition	4.6L V8 F/I	E-0945 ♦	HP-2010 ¹
Expedition	5.4L V8 F/I	E-0945 ♦	HP-2010 ¹
Explorer	4.0L V6 F/I	33-2106-1 ♦	HP-3001 ¹
		33-2106-1 ♦	HP-3001 ¹
Explorer	5.0L V8 F/I	33-2106-1	HP-2010 ¹
Explorer Sport	4.0L V6 F/I	33-2106-1	HP-3001 ¹
F150	4.2L V6 F/I	E-0945 ♦	HP-2009 ¹
F150	4.6L V8 F/I	E-0945 ♦	HP-2010 ¹
F150	5.4L V8 F/I	E-0945 ♦	HP-2010 ¹

Vehicle	Engine Type	Air Filter	Oil Filter
2000 FORD			
F150 Harley Davidson	5.4L V8 F/I	E-0945 ♦	HP-2010 ¹
F150 Lightning	5.4L V8 F/I	33-2140-1 ♦	HP-2010 ¹
F250 Super Duty	5.4L V8 F/I	E-0945 ♦	HP-2010 ¹
F250 Super Duty	6.8L V10 F/I	E-0945 ♦	HP-2010 ¹
F250 Super Duty	7.3L V8 DSL	33-2248 ♦	HP-6001 ¹
F350 Super Duty	5.4L V8 F/I	E-0945	HP-2010 ¹
		E-0945 ♦	HP-2010 ¹
F350 Super Duty	6.8L V10 F/I	E-0945 ♦	HP-2010 ¹
F350 Super Duty	7.3L V8 DSL	33-2248 ♦	HP-6001 ¹
F450 Super Duty	6.8L V10 F/I	E-0945	HP-2010 ¹
F450 Super Duty	7.3L V8 DSL	33-2248	HP-6001 ¹
F550 Super Duty	6.8L V10 F/I	E-0945	HP-2010 ¹
F550 Super Duty	7.3L V8 DSL	33-2248	HP-6001 ¹
Focus	1.4L L4 F/I	33-2819 ♦	
Focus	1.6L L4 F/I	33-2819 ♦	
Focus	1.8L L4 DSL	33-2819 ♦	
Focus	1.8L L4 F/I	33-2819 ♦	
Focus	2.0L L4 F/I	33-2819 ♦	HP-2009 ¹
		33-2819 ♦	HP-2009 ¹
			HP-2010 ¹
Grand Marquis	4.6L V8 F/I		HP-2010 ¹
Mustang	3.8L V6 F/I	E-0940 ♦	HP-2009 ¹
Mustang	4.6L V8 F/I	E-0945	HP-2010 ¹
Mustang GT	4.6L V8 F/I	E-0945 ♦	HP-2010 ¹
Mustang SVT Cobra	4.6L V8 F/I	E-0945 ♦	HP-2010 ¹
Mustang SVT Cobra R	5.4L V8 F/I	E-0945 ♦	HP-2010 ¹
Puma	1.7L L4 F/I	33-2804 ♦	
Ranger	2.5L L4 DSL	33-2167	
Ranger	2.5L L4 F/I	33-2106-1 ♦	HP-2009 ¹
Ranger	3.0L V6 F/I	33-2106-1 ♦	HP-2009 ¹
Ranger	4.0L V6 F/I	33-2106-1 ♦	HP-3001 ¹
Taurus	3.0L V6 F/I	33-2150	
Taurus	3.0L V6 F/I - DOHC	33-2150	HP-2010 ¹
Taurus	3.0L V6 F/I - OHV	33-2150	HP-2009 ¹
Transit	2.4L L4 DSL	33-2861	
Windstar	3.0L V6 F/I	E-0995+	HP-2009 ¹
Windstar	3.8L V6 F/I	E-0995+	HP-2009 ¹

Vehicle	Engine Type	Air Filter	Oil Filter
1999 FORD			
Contour	2.0L L4 F/I	33-2132	HP-2009 ¹
Contour	2.5L V6 F/I	33-2115-1	HP-2010 ¹
Contour SVT	2.5L V6 F/I	E-0998	HP-2010 ¹
Crown Victoria	4.6L V8 F/I	33-2272 ♦	HP-2010 ¹
E150 Econoline	4.2L V6 F/I	E-0945	
E150 Econoline	4.6L V8 F/I	E-0945	HP-2010 ¹
E150 Econoline	5.4L V8 F/I	E-0945 ♦	
E150 Econoline Club Wagon	4.2L V6 F/I	E-0945	
E150 Econoline Club Wagon	4.6L V8 F/I	E-0945	HP-2010 ¹
E150 Econoline Club Wagon	5.4L V8 F/I	E-0945 ♦	HP-2010 ¹
E250 Econoline	5.4L V8 F/I	E-0945 ♦	HP-2010 ¹
E350 Econoline	5.4L V8 F/I	E-0945 ♦	HP-2010 ¹
E350 Econoline Club Wagon	5.4L V8 F/I	E-0945 ♦	HP-2010 ¹
E350 Econoline Club Wagon	6.8L V10 F/I	E-0945 ♦	HP-2010 ¹
E350 Econoline Club Wagon	7.3L V8 DSL	33-2127*	HP-6001 ¹
E350 Super Duty	7.3L V8 DSL	33-2127*	HP-6001 ¹
E450 Econoline Super Duty	6.8L V10 F/I	E-0945 ♦	HP-2010 ¹
E450 Econoline Super Duty	7.3L V8 DSL	33-2127*	HP-6001 ¹
E450 Econoline Super Duty Stripped	7.3L V8 DSL	33-2127*	HP-6001 ¹
E450 Econoline Super Duty Stripped	7.3L V8 DSL	33-2127*	HP-6001 ¹
E450 Motorhome	6.8L V10 F/I - Class C	E-0945 ♦	
Escort	2.0L L4 F/I	E-0995	HP-2009 ¹
Escort ZX2	2.0L L4 F/I	E-0995 ♦	HP-2009 ¹
Excursion	5.4L V8 F/I	E-0945 ♦	HP-2010 ¹
Excursion	6.8L V10 F/I	E-0945 ♦	HP-2010 ¹
Excursion	7.3L V8 DSL	33-2248 ♦	HP-6001 ¹
Expedition	4.6L V8 F/I	E-0945 ♦	HP-2010 ¹
Expedition	5.4L V8 F/I	E-0945 ♦	HP-2010 ¹
Explorer	4.0L V6 F/I	33-2106-1 ♦	HP-3001 ¹
		33-2106-1 ♦	HP-3001 ¹
Explorer	5.0L V8 F/I	33-2106-1	HP-2010 ¹
Explorer Sport	4.0L V6 F/I	33-2106-1	HP-3001 ¹
F150	4.2L V6 F/I	E-0945 ♦	HP-2009 ¹
F150	4.6L V8 F/I	E-0945 ♦	HP-2010 ¹
F150	5.4L V8 F/I	E-0945 ♦	HP-2010 ¹

* 2 filters required ♦ Intake System Available - see page 81 +Cabin Air Filter Available - see page 453 1- Pro Series Filter Available

AIR & OIL FILTERS

FORD

Vehicle	Engine Type	Air Filter	Oil Filter	Vehicle	Engine Type	Air Filter	Oil Filter
1999 FORD				1998 FORD			
E550 Econoline Super Duty	6.8L V10 F/I	E-0945 ♦		E150 Econoline Club Wagon	5.4L V8 F/I	E-0945 ♦	HP-2010 ¹
Econoline Super Duty	7.3L V8 DSL	33-2127*		E250 Econoline	5.4L V8 F/I	E-0945 ♦	
Escort	2.0L L4 F/I	E-0995	HP-2009 ¹	E350 Econoline	6.8L V10 F/I	E-0945 ♦	HP-2010 ¹
Escort ZX2	2.0L L4 F/I	E-0995	HP-2009 ¹	E350 Econoline	7.3L V8 DSL	33-2127*	HP-6001 ¹
Expedition	4.6L V8 F/I	E-0945 ♦	HP-2010 ¹	E350 Econoline Club Wagon	5.4L V8 F/I	E-0945 ♦	
Expedition	5.4L V8 F/I	E-0945 ♦	HP-2010 ¹	E350 Econoline Club Wagon	6.8L V10 F/I	E-0945 ♦	HP-2010 ¹
Explorer	4.0L V6 F/I	33-2106-1 ♦	HP-3001 ¹	E350 Econoline Club Wagon	7.3L V8 DSL	33-2127*	HP-6001 ¹
Explorer	5.0L V8 F/I	33-2106-1	HP-2010 ¹	E450 Econoline Super Duty	6.8L V10 F/I	E-0945 ♦	HP-2010 ¹
F150	4.2L V6 F/I	E-0945 ♦	HP-2009 ¹	E550 Econoline Super Duty	6.8L V10 F/I	E-0945 ♦	
F150	4.6L V8 F/I	E-0945 ♦	HP-2010 ¹	Econoline Super Duty	6.8L V10 F/I	E-0945	HP-2010 ¹
F150	5.4L V8 F/I	E-0945 ♦	HP-2010 ¹	Econoline Super Duty	7.3L V8 DSL	33-2127*	
F150 Lightning	5.4L V8 F/I	33-2140-1 ♦	HP-2010 ¹	Escort	2.0L L4 F/I	E-0995	HP-2009 ¹
F250	4.6L V8 F/I	E-0945 ♦	HP-2010 ¹	Escort VII	2.0L L4 F/I	33-2627	
F250	5.4L V8 F/I	E-0945 ♦	HP-2010 ¹	Escort ZX2	2.0L L4 F/I	E-0995	HP-2009 ¹
F250 Super Duty	5.4L V8 F/I	E-0945 ♦	HP-2010 ¹	Expedition	4.6L V8 F/I	E-0945 ♦	HP-2010 ¹
F250 Super Duty	6.8L V10 F/I	E-0945 ♦	HP-2010 ¹	Expedition	5.4L V8 F/I	E-0945 ♦	HP-2010 ¹
F250 Super Duty	7.3L V8 DSL		HP-6001 ¹	Explorer	4.0L V6 F/I		HP-3001 ¹
F250 Super Duty	7.3L V8 DSL - from 12/98	33-2248 ♦	HP-6001	Explorer	4.0L V6 F/I - w/Panel Filter	33-2106-1 ♦	HP-3001
F250 Super Duty	7.3L V8 DSL - to 12/98	33-2123 ♦	HP-6001			33-2106-1 ♦	HP-3001
F350 Super Duty	5.4L V8 F/I	E-0945 ♦	HP-2010 ¹	Explorer	4.0L V6 F/I - w/Round Filter	E-0996 ♦	HP-3001
F350 Super Duty	6.8L V10 F/I	E-0945 ♦	HP-2010 ¹			E-0996 ♦	HP-3001
F350 Super Duty	7.3L V8 DSL		HP-6001 ¹	Explorer	4.8L V6 F/I		HP-2010 ¹
F350 Super Duty	7.3L V8 DSL - from 12/98	33-2248 ♦	HP-6001	Explorer	5.0L V8 F/I		HP-2010 ¹
F350 Super Duty	7.3L V8 DSL - to 12/98	33-2123 ♦	HP-6001	Explorer	5.0L V8 F/I - w/Panel Filter	33-2106-1	HP-2010
F450	6.8L V10 F/I	E-0945		Explorer	5.0L V8 F/I - w/Round Filter	E-0996	HP-2010
F450 Super Duty	6.8L V10 F/I	E-0945 ♦	HP-2010 ¹	F150	4.2L V6 F/I	E-0945 ♦	HP-2009 ¹
F450 Super Duty	7.3L V8 DSL		HP-6001 ¹	F150	4.6L V8 F/I	E-0945 ♦	HP-2010 ¹
F450 Super Duty	7.3L V8 DSL - from 12/98	33-2248 ♦	HP-6001	F150	5.4L V8 F/I	E-0945 ♦	HP-2010 ¹
F450 Super Duty	7.3L V8 DSL - to 12/98	33-2123 ♦	HP-6001	F250	4.6L V8 F/I	E-0945 ♦	HP-2010 ¹
F550 Super Duty	6.8L V10 F/I	E-0945 ♦	HP-2010 ¹	F250	5.4L V8 F/I	E-0945 ♦	HP-2010 ¹
F550 Super Duty	7.3L V8 DSL		HP-6001 ¹	Focus	2.0L L4 F/I	33-2819 ♦	
F550 Super Duty	7.3L V8 DSL - from 12/98	33-2248 ♦	HP-6001	Mustang	3.8L V6 F/I	E-0940	HP-2009 ¹
F550 Super Duty	7.3L V8 DSL - to 12/98	33-2123 ♦	HP-6001	Mustang	4.6L V8 F/I	E-0945	HP-2010 ¹
Mustang	3.8L V6 F/I	E-0940 ♦	HP-2009 ¹	Mustang GT	4.6L V8 F/I	E-0945 ♦	HP-2010 ¹
Mustang	4.6L V8 F/I	E-0945	HP-2010 ¹	Mustang SVT Cobra	4.6L V8 F/I	E-0945 ♦	HP-2010 ¹
Mustang GT	4.6L V8 F/I	E-0945 ♦	HP-2010 ¹	Ranger	2.5L L4 DSL	33-2106-1 ♦	HP-2009 ¹
Mustang SVT Cobra	4.6L V8 F/I	E-0945 ♦	HP-2010 ¹	Ranger	2.5L L4 F/I	33-2106-1 ♦	HP-2009 ¹
Ranger	2.5L L4 DSL	33-2167		Ranger	3.0L V6 F/I	33-2106-1 ♦	HP-2009 ¹
Ranger	2.5L L4 F/I	33-2106-1 ♦	HP-2009 ¹	Ranger	4.0L V6 F/I	33-2106-1 ♦	HP-3001 ¹
Ranger	3.0L V6 F/I	33-2106-1 ♦	HP-2009 ¹	Taurus	3.0L V6 F/I	33-2107	
Ranger	4.0L V6 F/I	33-2106-1 ♦	HP-3001 ¹	Taurus	3.0L V6 F/I - DOHC	33-2107	HP-2010 ¹
Taurus	3.0L V6 F/I	33-2107		Taurus	3.0L V6 F/I - OHV	33-2107	HP-2009 ¹
Taurus	3.0L V6 F/I - DOHC	33-2107	HP-2010 ¹	Taurus	3.4L V8 F/I	33-2150	HP-2009 ¹
Taurus	3.0L V6 F/I - OHV	33-2107	HP-2009 ¹	Taurus	3.4L V8 F/I	33-2150	HP-2009 ¹
Taurus	3.4L V8 F/I	33-2150	HP-2009 ¹	Windstar	3.0L V6 F/I		HP-2009 ¹
Windstar	3.0L V6 F/I	E-0995+		Windstar	3.0L V6 F/I	E-0995	HP-2009 ¹
Windstar	3.8L V6 F/I	E-0995+	HP-2009 ¹				
1998 FORD				1997 FORD			
Contour	2.0L L4 F/I	33-2132	HP-2009 ¹	Aerostar	3.0L V6 F/I	33-2024	HP-2009 ¹
Contour	2.5L V6 F/I	33-2115-1	HP-2010 ¹	Aerostar	4.0L V6 F/I	33-2024	HP-3001 ¹
Contour SVT	2.5L V6 F/I	E-0998	HP-2010 ¹	Aspire	1.3L L4 F/I		HP-1008 ¹
Crown Victoria	4.6L V8 F/I	33-2272	HP-2010 ¹	Bronco	2.9L V6 F/I		HP-3001 ¹
E150 Econoline	4.2L V6 F/I	E-0945		Crown Victoria	4.6L V8 F/I	33-2272	HP-2010 ¹
E150 Econoline	4.6L V8 F/I	E-0945		E150 Econoline	4.6L V8 F/I	E-0945	HP-2010 ¹
E150 Econoline	5.4L V8 F/I	E-0945 ♦		E150 Econoline	5.4L V8 F/I	E-0945 ♦	HP-2010 ¹
E150 Econoline Club Wagon	4.2L V6 F/I	E-0945		E150 Econoline Club Wagon	4.6L V8 F/I	E-0945	HP-2010 ¹
E150 Econoline Club Wagon	4.6L V8 F/I	E-0945	HP-2010 ¹				

* 2 filters required ♦ Intake System Available - see page 81 +Cabin Air Filter Available - see page 453 1- Pro Series Filter Available

FORD

AIR & OIL FILTERS

Vehicle	Engine Type	Air Filter	Oil Filter	Vehicle	Engine Type	Air Filter	Oil Filter
1997 FORD				1997 FORD			
E150 Econoline Club Wagon	5.4L V8 F/I	E-0945 ♦	HP-2010 ¹	Thunderbird	4.6L V8 F/I	33-2033 ♦	HP-2010 ¹
1996 FORD				1996 FORD			
E250 Econoline	5.4L V8 F/I	E-0945 ♦		Bronco	5.0L V8 F/I	33-2023 ♦	HP-3001 ¹
E350 Econoline	5.4L V8 F/I	E-0945 ♦		Bronco	5.8L V8 F/I	33-2023 ♦	HP-2010 ¹
E350 Econoline	6.8L V10 F/I	E-0945 ♦	HP-2010 ¹	Contour	2.0L L4 F/I	33-2132	
E350 Econoline	7.3L V8 DSL	33-2127*	HP-6001 ¹	Contour	2.5L V6 F/I	33-2115-1	
E350 Econoline Club Wagon	5.4L V8 F/I	E-0945 ♦	HP-2010 ¹	Crown Victoria	4.6L V8 F/I	33-2272	HP-2010 ¹
E350 Econoline Club Wagon	6.8L V10 F/I	E-0945 ♦	HP-2010 ¹	E150 Econoline	5.8L V8 F/I	33-2023	
E350 Econoline Club Wagon	7.3L V8 DSL	33-2127*	HP-6001 ¹	E150 Econoline	5.8L V8 F/I - w/o oil cooler	33-2023	HP-3001 ¹
E450 Econoline Super Duty	6.8L V10 F/I	E-0945 ♦	HP-2010 ¹	E150 Econoline	5.8L V8 F/I - w/oil cooler	33-2023	HP-2010 ¹
E550 Econoline Super Duty	6.8L V10 F/I	E-0945 ♦		E150 Econoline Club Wagon	5.0L V8 F/I	33-2023	HP-3001 ¹
Econoline Super Duty	7.3L V8 DSL	33-2127*	HP-6001 ¹	E150 Econoline Club Wagon	5.8L V8 F/I	33-2023	
Escort	2.0L L4 F/I	E-0995	HP-2009 ¹	E150 Econoline Club Wagon	5.8L V8 F/I - w/o oil cooler	33-2023	HP-3001 ¹
Escort VII	2.0L L4 F/I	33-2627		E150 Econoline Club Wagon	5.8L V8 F/I - w/oil cooler	33-2023	HP-2010 ¹
Expedition	4.6L V8 F/I	E-0945 ♦	HP-2010 ¹	E250 Econoline	5.8L V8 F/I	33-2023	
Expedition	5.4L V8 F/I	E-0945 ♦	HP-2010 ¹	E250 Econoline	5.8L V8 F/I - w/o oil cooler	33-2023	HP-3001 ¹
Explorer	4.0L V6 F/I		HP-3001 ¹	E250 Econoline	5.8L V8 F/I - w/oil cooler	33-2023	HP-2010 ¹
Explorer	4.0L V6 F/I - w/Panel Filter	33-2106-1 ♦	HP-3001	E250 Econoline	5.8L V8 F/I	33-2023	
		33-2106-1 ♦	HP-3001	E350 Econoline	5.8L V8 F/I	33-2023	
Explorer	4.0L V6 F/I - w/Round Filter	E-0996 ♦	HP-3001	E350 Econoline	7.3L V8 DSL	33-2127*	HP-6001 ¹
		E-0996 ♦	HP-3001	E350 Econoline	7.5L V8 F/I	33-2099	HP-3001 ¹
Explorer	5.0L V8 F/I		HP-2010 ¹	E350 Econoline Club Wagon	5.8L V8 F/I	33-2023	
Explorer	5.0L V8 F/I - w/Panel Filter	33-2106-1 ♦	HP-2010	E350 Econoline Club Wagon	5.8L V8 F/I - w/o oil cooler	33-2023	HP-3001 ¹
Explorer	5.0L V8 F/I - w/Round Filter	E-0996 ♦	HP-2010	E350 Econoline Club Wagon	5.8L V8 F/I - w/oil cooler	33-2023	HP-2010 ¹
F53	7.5L V8 F/I	33-2023	HP-3001 ¹	E350 Econoline Club Wagon	7.3L V8 DSL	33-2127*	HP-6001 ¹
F150	4.2L V6 F/I	E-0945 ♦	HP-2009 ¹	E350 Econoline Club Wagon	7.5L V8 F/I	33-2099	HP-3001 ¹
F150	4.6L V8 F/I	E-0945 ♦	HP-2010 ¹	Econoline Super Duty	7.5L V8 F/I		HP-3001 ¹
F150	4.9L L6 F/I		HP-3001 ¹	Escort	1.9L L4 F/I	33-2126	HP-2009 ¹
F150	5.4L V8 F/I	E-0945 ♦	HP-2010 ¹	Explorer	4.0L V6 F/I	E-0995 ♦	HP-3001 ¹
F250	4.6L V8 F/I	E-0945 ♦	HP-2010 ¹	Explorer	5.0L V8 F/I	E-0996 ♦	HP-2010 ¹
F250	5.0L V8 F/I		HP-3001 ¹	F53	7.5L V8 F/I	33-2023	HP-3001 ¹
F250	5.4L V8 F/I	E-0945 ♦	HP-2010 ¹	F150	4.9L L6 F/I	33-2023 ♦	HP-3001 ¹
F250	5.8L V8 F/I	33-2023	HP-2010 ¹	F150	5.0L V8 F/I	33-2023 ♦	HP-3001 ¹
F250	7.3L V8 DSL	E-1946 ♦	HP-6001 ¹	F150	5.8L V8 F/I	33-2023 ♦	HP-2010 ¹
F250	7.5L V8 F/I	33-2023 ♦	HP-3001 ¹	F250	4.9L L6 F/I	33-2023 ♦	
F350	5.8L V8 F/I	33-2023	HP-2010 ¹	F250	5.0L V8 F/I	33-2023 ♦	HP-3001 ¹
F350	7.3L V8 DSL	E-1946 ♦	HP-6001 ¹	F250	5.8L V8 F/I	33-2023 ♦	HP-2010 ¹
F350	7.5L V8 F/I	33-2023 ♦	HP-3001 ¹	F250	7.3L V8 DSL	E-1946 ♦	HP-6001 ¹
F450	7.3L V8 DSL	E-1946	HP-6001 ¹	F250	7.5L V8 F/I	33-2023 ♦	HP-3001 ¹
F450	7.5L V8 F/I	33-2023	HP-3001 ¹	F350	5.8L V8 F/I	33-2023 ♦	HP-2010 ¹
Mustang	3.8L V6 F/I	E-0940	HP-2009 ¹	F350	7.3L V8 DSL	E-1946 ♦	HP-6001 ¹
Mustang	4.6L V8 F/I	E-0945	HP-2010 ¹	F350	7.5L V8 F/I	33-2023 ♦	HP-3001 ¹
Mustang GT	4.6L V8 F/I	E-0945 ♦	HP-2010 ¹	F450	7.3L V8 DSL	E-1946	HP-6001 ¹
Mustang SVT Cobra	4.6L V8 F/I	E-0945 ♦	HP-2010 ¹	F450	7.5L V8 F/I	33-2023	HP-3001 ¹
Probe	2.5L V6 F/I - Non-US	33-2676		Mustang	3.8L V6 F/I	E-0940	HP-2009 ¹
Probe	2.5L V6 F/I - US	33-2049 ♦	HP-1010 ¹	Mustang	4.6L V8 F/I	E-0945	HP-2010 ¹
Puma	1.7L L4 F/I	33-2804 ♦		Mustang GT	4.6L V8 F/I	E-0945 ♦	HP-2010 ¹
Ranger	2.3L L4 F/I	E-0995	HP-3001 ¹	Mustang SVT Cobra	4.6L V8 F/I	E-0945 ♦	HP-2010 ¹
		E-0995 ♦	HP-3001 ¹	Probe	2.0L L4 F/I - Non-US	33-2676	
Ranger	3.0L V6 F/I	E-0995	HP-2009 ¹	Probe	2.5L V6 F/I - Non-US	33-2676	
Ranger	4.0L V6 F/I		HP-3001 ¹	Probe	2.5L V6 F/I - US	33-2049 ♦	HP-1010 ¹
Ranger	4.0L V6 F/I - w/Round Filter	E-0995 ♦	HP-3001	Ranger	2.3L L4 F/I	E-0995	HP-3001 ¹
Taurus	3.0L V6 F/I	33-2107	HP-2009 ¹			E-0995 ♦	HP-3001 ¹
Taurus	3.4L V8 F/I	33-2107	HP-2009 ¹	Ranger	3.0L V6 F/I	E-0995	HP-2009 ¹
Taurus LX	3.0L V6 F/I	33-2107	HP-2010 ¹	Ranger	4.0L V6 F/I	E-0995 ♦	HP-3001 ¹
Thunderbird	3.8L V6 F/I	33-2033 ♦	HP-2009 ¹				

* 2 filters required ♦ Intake System Available - see page 81 +Cabin Air Filter Available - see page 453 1- Pro Series Filter Available

AIR & OIL FILTERS

FORD

Vehicle	Engine Type	Air Filter	Oil Filter
1996 FORD			
Taurus	3.0L V6 F/I	33-2107	HP-2009 ¹
Taurus LX	3.0L V6 F/I	33-2107	HP-2010 ¹
Thunderbird	3.8L V6 F/I	33-2033 ♦	HP-2009 ¹
Thunderbird	4.6L V8 F/I	33-2033 ♦	HP-2010 ¹
Windstar	3.8L V6 F/I	E-0995	

Vehicle	Engine Type	Air Filter	Oil Filter
1995 FORD			
Aerostar	3.0L V6 F/I	33-2024	HP-2009 ¹
Aspire	1.3L L4 F/I		HP-1004 ¹
Bronco	5.0L V8 F/I	33-2023 ♦	HP-3001 ¹
Bronco	5.8L V8 F/I	33-2023 ♦	HP-2010 ¹
Crown Victoria	4.6L V8 F/I	33-2272	HP-2010 ¹
E150 Econoline	4.9L L6 F/I	33-2023	
E150 Econoline	5.0L V8 F/I	33-2023	HP-3001 ¹
E150 Econoline Club Wagon	4.9L L6 F/I	33-2023	HP-3001 ¹
E150 Econoline Club Wagon	5.0L V8 F/I	33-2023	HP-3001 ¹
E250 Econoline	5.8L V8 F/I	33-2023	HP-3001 ¹
E350 Econoline	5.8L V8 F/I	33-2023	HP-3001 ¹
E350 Econoline	7.3L V8 DSL	33-2127*	HP-6001 ¹
E350 Econoline	7.5L V8 F/I	33-2023	HP-3001 ¹
E350 Econoline Club Wagon	5.8L V8 F/I	33-2023	HP-3001 ¹
E350 Econoline Club Wagon	7.3L V8 DSL	33-2127*	HP-6001 ¹
E350 Econoline Club Wagon	7.5L V8 F/I	33-2023	HP-3001 ¹
Escort	1.9L L4 F/I	33-2126	HP-2009 ¹
Escort GT	1.8L L4 F/I	33-2034 ♦	HP-1008 ¹
Explorer	4.0L V6 F/I	E-0995 ♦	HP-3001 ¹
F53	7.5L V8 F/I	33-2023	HP-3001 ¹
F150	3.8L V6 F/I		HP-2009 ¹
F150	4.9L L6 F/I	33-2023 ♦	HP-3001 ¹
F150	5.0L V8 F/I	33-2023 ♦	HP-3001 ¹
F150	5.8L V8 F/I	33-2023 ♦	HP-2010 ¹
F150 Lightning	5.8L V8 F/I	33-2023 ♦	HP-2010 ¹
F250	5.0L V8 F/I	33-2023 ♦	
F250	5.8L V8 F/I	33-2023 ♦	HP-2010 ¹
F250	7.3L V8 DSL	E-1946 ♦	HP-6001 ¹
F250	7.5L V8 F/I	33-2023 ♦	HP-3001 ¹
F350	5.8L V8 F/I	33-2023 ♦	HP-2010 ¹
F350	7.3L V8 DSL	E-1946 ♦	HP-6001 ¹
F350	7.5L V8 F/I	33-2023 ♦	HP-3001 ¹
F450	7.3L V8 DSL	E-1946	HP-6001 ¹
Mustang	3.8L V6 F/I	E-0940	HP-2009 ¹
Mustang	5.0L V8 F/I	E-0940 ♦	HP-3001 ¹
Mustang	5.8L V8 F/I	E-0945	
Mustang SVT Cobra	5.0L V8 F/I	E-0940 ♦	HP-2004 ¹
Probe	2.0L L4 F/I - Non-US	33-2676	
Probe	2.0L L4 F/I - US	33-2049	HP-1006
Probe	2.5L V6 F/I - Non-US	33-2676	
Probe	2.5L V6 F/I - US	33-2049 ♦	HP-1010 ¹
Ranger	2.3L L4 F/I	E-0995	HP-3001 ¹
Ranger		E-0995 ♦	HP-3001 ¹
Ranger		E-0995	HP-2009 ¹
Ranger		E-0995 ♦	HP-3001 ¹
Scorpio II	2.5L L4 DSL	33-2013	
Taurus	3.0L V6 F/I	33-2024	HP-2009 ¹
Taurus	3.8L V6 F/I	33-2024	HP-2009 ¹
Taurus SHO	3.0L V6 F/I	33-2040	HP-2009 ¹
Taurus SHO	3.2L V6 F/I	33-2040	HP-2009 ¹
Thunderbird	3.8L V6 F/I	33-2033	HP-2009 ¹
		33-2033 ♦	HP-2009 ¹
Thunderbird	4.6L V8 F/I	33-2033 ♦	HP-2010 ¹

Vehicle	Engine Type	Air Filter	Oil Filter
1995 FORD			
Windstar	3.8L V6 F/I		HP-2009 ¹
1994 FORD			
Bronco	5.0L V8 F/I	33-2023 ♦	HP-3001 ¹
Bronco	5.8L V8 F/I	33-2023 ♦	HP-2010 ¹
Crown Victoria	4.6L V8 F/I	33-2272	HP-2010 ¹
E150 Econoline	5.0L V8 F/I	33-2023	HP-3001 ¹
E150 Econoline Club Wagon	5.0L V8 F/I	33-2023	HP-3001 ¹
E350 Econoline	7.3L V8 DSL	E-1461	
E350 Econoline	7.5L V8 F/I	33-2023	HP-3001 ¹
E350 Econoline Club Wagon	5.8L V8 F/I	33-2023	HP-3001 ¹
E350 Econoline Club Wagon	7.3L V8 DSL	E-1461	HP-4002
E350 Econoline Club Wagon	7.5L V8 F/I	33-2023	HP-3001 ¹
Escort	1.9L L4 F/I	33-2126	HP-2009 ¹
Escort GT	1.8L L4 F/I	33-2034 ♦	
Explorer	4.0L V6 F/I	33-2024	HP-3001 ¹
F53	7.5L V8 F/I	33-2023	
F150	3.8L V6 F/I		HP-2009 ¹
F150	4.9L L6 F/I	33-2023 ♦	HP-3001 ¹
F150	5.0L V8 F/I	33-2023 ♦	HP-3001 ¹
F150	5.8L V8 F/I	33-2023 ♦	HP-2010 ¹
F150 Lightning	5.8L V8 F/I	33-2023 ♦	HP-2010 ¹
F250	4.9L L6 F/I	33-2023 ♦	
F250	5.0L V8 F/I	33-2023 ♦	HP-3001 ¹
F250	5.8L V8 F/I	33-2023 ♦	HP-2010 ¹
F250	7.3L V8 DSL - VIN F	E-1946 ♦	HP-6001 ¹
F250	7.3L V8 DSL - VIN K	33-2088	HP-4002
F250	7.3L V8 DSL - VIN M	E-1460	HP-4002
F250	7.5L V8 F/I	33-2023 ♦	HP-3001 ¹
F350	5.8L V8 F/I	33-2023 ♦	HP-2010 ¹
F350	7.3L V8 DSL - VIN F	E-1946 ♦	HP-6001 ¹
F350	7.3L V8 DSL - VIN K	33-2088	HP-4002
F350	7.3L V8 DSL - VIN M	E-1460	HP-4002
F350	7.5L V8 F/I	33-2023 ♦	HP-3001 ¹
F450	7.3L V8 DSL	E-1460	HP-4002
Mustang	3.8L V6 F/I	E-0940	HP-2009 ¹
Mustang	5.0L V8 F/I	E-0940 ♦	HP-3001 ¹
Mustang SVT Cobra	5.0L V8 F/I	E-0940 ♦	HP-2004 ¹
Probe	2.0L L4 F/I - Non-US, from 3/94	33-2676	
Probe	2.0L L4 F/I - US	33-2049	HP-1006
Probe	2.5L V6 F/I - Non-US, from 3/94	33-2676	
Probe	2.5L V6 F/I - US	33-2049 ♦	HP-1010 ¹
Ranger	2.3L L4 F/I	33-2024	HP-3001 ¹
Ranger	3.0L V6 F/I	33-2024	HP-2009 ¹
Ranger	4.0L V6 F/I	33-2024	HP-3001 ¹
Taurus	3.0L V6 F/I	33-2024	HP-2009 ¹
Taurus	3.8L V6 F/I	33-2024	HP-2009 ¹
Taurus SHO	3.0L V6 F/I	33-2040	HP-2009 ¹
Taurus SHO	3.2L V6 F/I	33-2040	HP-2009 ¹
Tempo	2.3L L4 F/I	33-2107	HP-2004 ¹
Thunderbird	3.8L V6 F/I	33-2033	HP-2009 ¹
		33-2033 ♦	HP-2009 ¹
Thunderbird	4.6L V8 F/I	33-2033 ♦	HP-2010 ¹
1993 FORD			
Bronco	5.0L V8 F/I	33-2023 ♦	HP-3001 ¹
Bronco	5.8L V8 F/I	33-2023 ♦	HP-3001 ¹
Crown Victoria	4.6L V8 F/I	33-2272	HP-2010 ¹
E150 Econoline Club Wagon	5.8L V8 F/I	33-2023	
E350 Econoline	5.8L V8 F/I	33-2023	HP-3001 ¹

* 2 filters required ♦ Intake System Available - see page 81 +Cabin Air Filter Available - see page 453 1- Pro Series Filter Available

FORD

AIR & OIL FILTERS

Vehicle	Engine Type	Air Filter	Oil Filter	Vehicle	Engine Type	Air Filter	Oil Filter
1993 FORD				1992 FORD			
E350 Econoline	7.5L V8 F/I	33-2023	HP-3001 ¹	E350 Econoline Club Wagon	7.5L V8 F/I	33-2023	HP-3001 ¹
E350 Econoline Club Wagon	5.8L V8 F/I	33-2023	HP-3001 ¹	Explorer	4.0L V6 F/I	33-2024	HP-3001 ¹
E350 Econoline Club Wagon	7.3L V8 DSL	E-1461		F150	3.8L V6 F/I		HP-2009 ¹
E350 Econoline Club Wagon	7.5L V8 F/I	33-2023	HP-3001 ¹	F150	4.9L L6 F/I	33-2023 ♦	HP-3001 ¹
Escort	1.9L L4 F/I	33-2126	HP-2009 ¹	F150	5.0L V8 F/I	33-2023 ♦	HP-3001 ¹
Escort GT	1.8L L4 F/I	33-2034 ♦	HP-1008 ¹	F150	5.8L V8 F/I	33-2023 ♦	HP-3001 ¹
Explorer	4.0L V6 F/I	33-2024	HP-3001 ¹	F250	5.0L V8 F/I	33-2023	
F150	3.8L V6 F/I		HP-2009 ¹	F250	5.8L V8 F/I	33-2023 ♦	HP-3001 ¹
F150	4.9L L6 F/I	33-2023 ♦	HP-3001 ¹	F250	7.3L V8 DSL	E-1460	HP-4002
F150	5.0L V8 F/I	33-2023 ♦	HP-3001 ¹	F250	7.5L V8 F/I	33-2023 ♦	HP-3001 ¹
F150	5.8L V8 F/I	33-2023 ♦	HP-3001 ¹	F350	5.8L V8 F/I	33-2023 ♦	HP-3001 ¹
F150 Lightning	5.8L V8 F/I	33-2023 ♦	HP-3001 ¹	F350	7.3L V8 DSL	E-1460	HP-4002
F250	4.9L L6 F/I	33-2023		F350	7.5L V8 F/I	33-2023 ♦	HP-3001 ¹
F250	5.0L V8 F/I	33-2023		Festiva	1.3L L4 F/I		HP-1004 ¹
F250	5.8L V8 F/I	33-2023 ♦	HP-3001 ¹	Mustang	2.3L L4 F/I	33-2044	HP-3001 ¹
F250	7.3L V8 DSL		HP-4002	Mustang	5.0L V8 F/I	33-2015 ♦	HP-3001 ¹
F250	7.3L V8 DSL - Exc. Turbo	E-1460	HP-4002	Ranger	2.3L L4 F/I	33-2024	HP-3001 ¹
F250	7.3L V8 DSL - Turbo	33-2088	HP-4002	Ranger	2.9L V6 F/I	33-2024	HP-3001 ¹
F250	7.5L V8 F/I	33-2023 ♦	HP-3001 ¹	Ranger	3.0L V6 F/I	33-2024	HP-2009 ¹
F350	5.8L V8 F/I	33-2023 ♦	HP-3001 ¹	Ranger	4.0L V6 F/I	33-2024	HP-3001 ¹
F350	7.3L V8 DSL		HP-4002	Sierra	2.0L L4 F/I - 220BHP	33-2532 ♦	
F350	7.3L V8 DSL - Exc. Turbo	E-1460	HP-4002	Sierra	2.0L L4 F/I - Exc., 220BHP	33-2013 ♦	
F350	7.3L V8 DSL - Turbo	33-2088	HP-4002	Taurus	3.0L V6 F/I	33-2024	HP-2009 ¹
F350	7.5L V8 F/I	33-2023 ♦	HP-3001 ¹	Taurus SHO	3.0L V6 F/I	33-2040	HP-2009 ¹
F450	7.3L V8 DSL - Exc. Turbo	E-1460		Thunderbird	3.8L V6 F/I	33-2033	HP-2009 ¹
F450	7.3L V8 DSL - Turbo	33-2088				33-2033 ♦	HP-2009 ¹
Festiva	1.3L L4 F/I		HP-1004 ¹	1991 FORD			
Mustang	2.3L L4 F/I	33-2044	HP-3001 ¹	Bronco	5.0L V8 F/I	33-2023 ♦	HP-3001 ¹
Mustang	5.0L V8 F/I	33-2015 ♦	HP-3001 ¹	Bronco	5.8L V8 F/I	33-2023 ♦	HP-3001 ¹
Probe	2.0L L4 F/I	33-2049	HP-1006	E150 Econoline Club Wagon	5.0L V8 F/I	33-2023	
Probe	2.5L V6 F/I	33-2049 ♦	HP-1010 ¹	E350 Econoline	7.5L V8 F/I	33-2023	HP-3001 ¹
Ranger	2.3L L4 F/I	33-2024	HP-3001 ¹	E350 Econoline Club Wagon	7.5L V8 F/I	33-2023	HP-3001 ¹
Ranger	3.0L V6 F/I	33-2024	HP-2009 ¹	Escort	1.9L L4 F/I	33-2126	HP-2009 ¹
Ranger	4.0L V6 F/I	33-2024	HP-3001 ¹	Escort GT	1.8L L4 F/I	33-2034 ♦	HP-1008 ¹
Sierra	2.0L L4 F/I - 220BHP	33-2532 ♦		Explorer	4.0L V6 F/I	33-2024	HP-3001 ¹
Sierra	2.0L L4 F/I - Exc., 220BHP	33-2013 ♦		F150	3.8L V6 F/I		HP-2009 ¹
Taurus	3.0L V6 F/I	33-2024	HP-2009 ¹	F150	4.9L L6 F/I	33-2023 ♦	HP-3001 ¹
Taurus SHO	3.0L V6 F/I	33-2040	HP-2009 ¹	F150	5.0L V8 F/I	33-2023 ♦	HP-3001 ¹
Taurus SHO	3.2L V6 F/I	33-2040	HP-2009 ¹	F150	5.8L V8 F/I	33-2023 ♦	HP-3001 ¹
Tempo	2.3L L4 F/I	33-2107	HP-2004 ¹	F250	4.9L L6 F/I	33-2023 ♦	HP-3001 ¹
Thunderbird	3.8L V6 F/I	33-2033	HP-2009 ¹	F250	5.0L V8 F/I	33-2023	HP-3001 ¹
		33-2033 ♦	HP-2009 ¹	F250	5.8L V8 F/I	33-2023 ♦	HP-3001 ¹
		33-2033 ♦	HP-3001 ¹	F250	7.3L V8 DSL	E-1460	HP-4002
				F250	7.5L V8 F/I	33-2023 ♦	HP-3001 ¹
				F350	7.3L V8 DSL	E-1460	HP-4002
				F350	7.5L V8 F/I	33-2023 ♦	HP-3001 ¹
				Falcon	4.0L V6 MPI	33-2708	
				Festiva	1.3L L4 F/I		HP-1004 ¹
				Granada	2.9L V6 F/I - 4WD	33-2013 ♦	
				LTD Crown Victoria	5.0L V8 F/I	33-2195	HP-3001 ¹
				Mustang	2.3L L4 F/I	33-2044	HP-3001 ¹
				Mustang	5.0L V8 F/I	33-2015 ♦	HP-3001 ¹
				Ranger	2.3L L4 F/I	33-2024	HP-3001 ¹
				Ranger	2.9L V6 F/I	33-2024	HP-3001 ¹
				Ranger	3.0L V6 F/I	33-2024	HP-2009 ¹
				Ranger	4.0L V6 F/I	33-2024	HP-3001 ¹
				Sierra	2.0L L4 F/I - 220BHP	33-2532 ♦	
				Sierra	2.0L L4 F/I - Exc., 220BHP	33-2013 ♦	
				Taurus SHO	3.0L V6 F/I	33-2040	HP-2009 ¹
				Thunderbird	3.8L V6 F/I	33-2033	HP-2009 ¹
1992 FORD							
Bronco	4.9L L6 F/I	33-2023 ♦	HP-3001 ¹				
Bronco	5.0L V8 F/I	33-2023 ♦	HP-3001 ¹				
Bronco	5.8L V8 F/I	33-2023 ♦	HP-3001 ¹				
Crown Victoria	4.6L V8 F/I	33-2272	HP-2010 ¹				
E150 Econoline	5.0L V8 F/I	33-2023					
E150 Econoline Club Wagon	5.0L V8 F/I	33-2023	HP-3001 ¹				
E350 Econoline	5.8L V8 F/I	33-2023	HP-3001 ¹				
E350 Econoline	7.3L V8 DSL	E-1461					
E350 Econoline	7.5L V8 F/I	33-2023	HP-3001 ¹				
E350 Econoline Club Wagon	5.8L V8 F/I	33-2023	HP-3001 ¹				
E350 Econoline Club Wagon	7.3L V8 DSL	E-1461					

* 2 filters required ♦ Intake System Available - see page 81 +Cabin Air Filter Available - see page 453 1- Pro Series Filter Available

AIR & OIL FILTERS

FORD

Vehicle	Engine Type	Air Filter	Oil Filter	Vehicle	Engine Type	Air Filter	Oil Filter
1991 FORD				1989 FORD			
Thunderbird	3.8L V6 F/I	33-2033 ♦	HP-2009 ¹	F250	5.8L V8 F/I	33-2023 ♦	HP-3001 ¹
Thunderbird	5.0L V8 F/I	33-2033 ♦	HP-3001 ¹	F250	7.3L V8 DSL	E-1460	HP-4002
Transit 86	2.5L L4 DSL	33-2512		F250	7.5L V8 F/I	33-2023 ♦	HP-3001 ¹
Transit 92	2.5L L4 DSL - Exc., 80BHP	33-2512		F350	5.8L V8 F/I	33-2023 ♦	
1990 FORD				1988 FORD			
Bronco	5.0L V8 F/I	33-2023 ♦	HP-3001 ¹	Bronco	5.0L V8 F/I	33-2023 ♦	HP-3001 ¹
Bronco	5.8L V8 F/I	33-2023 ♦	HP-3001 ¹	Bronco	5.8L V8 F/I	33-2023 ♦	HP-3001 ¹
Bronco II	2.9L V6 F/I	33-2024	HP-3001 ¹	Bronco II	2.9L V6 F/I	33-2024	HP-3001 ¹
E350 Econoline	7.5L V8 F/I	33-2023	HP-3001 ¹	E150 Econoline Club Wagon	5.0L V8 F/I	33-2023	
E350 Econoline Club Wagon	5.8L V8 F/I	33-2023	HP-3001 ¹	E350 Econoline	7.5L V8 F/I	33-2023	HP-3001 ¹
E350 Econoline Club Wagon	7.5L V8 F/I	33-2023	HP-3001 ¹	E350 Econoline Club Wagon	7.5L V8 F/I	33-2023	HP-3001 ¹
F150	3.8L V6 CARB		HP-2009 ¹	Escort Express	1.6L L4 DSL	33-2514	
F150	4.9L L6 F/I	33-2023 ♦	HP-3001 ¹	Escort IV	1.6L L4 CARB	E-9090	
F150	5.0L V8 CARB		HP-3001 ¹	Escort IV	1.6L L4 DSL	33-2514	
F150	5.0L V8 F/I	33-2023 ♦	HP-3001 ¹	Escort IV	1.6L L4 F/I - 102BHP	33-2595 ♦	
F150	5.8L V8 F/I	33-2023 ♦	HP-3001 ¹	Escort IV	1.6L L4 F/I - Exc., 102BHP	33-2001 ♦	
F250	5.0L V8 F/I	33-2023	HP-3001 ¹	F150	3.8L V6 CARB		HP-2009 ¹
F250	5.8L V8 F/I	33-2023 ♦	HP-3001 ¹	F150	4.9L L6 F/I	33-2023 ♦	HP-3001 ¹
F250	7.3L V8 DSL	E-1460	HP-4002	F150	5.0L V8 CARB		HP-3001 ¹
F250	7.5L V8 F/I	33-2023 ♦	HP-3001 ¹	F150	5.0L V8 F/I	33-2023 ♦	HP-3001 ¹
F350	5.8L V8 CARB		HP-3001 ¹	F150	5.8L V8 F/I	33-2023 ♦	HP-3001 ¹
F350	5.8L V8 F/I	33-2023 ♦		F250	4.9L L6 F/I	33-2023 ♦	HP-3001 ¹
F350	7.3L V8 DSL	E-1460	HP-4002	F250	5.0L V8 F/I	33-2023 ♦	HP-3001 ¹
F350	7.5L V8 F/I	33-2023 ♦	HP-3001 ¹	F250	5.8L V8 F/I	33-2023 ♦	HP-3001 ¹
Festiva	1.3L L4 CARB		HP-1004 ¹	F250	7.3L V8 DSL	E-1460	HP-4002
Festiva	1.3L L4 F/I		HP-1004 ¹	F250	7.5L V8 F/I	33-2023 ♦	HP-3001 ¹
LTD Crown Victoria	5.0L V8 F/I	33-2195	HP-3001 ¹	F350	7.3L V8 DSL	E-1460	HP-4002
Mustang	2.3L L4 F/I	33-2044	HP-3001 ¹	F350	7.5L V8 F/I	33-2023 ♦	HP-3001 ¹
Mustang	5.0L V8 F/I	33-2015 ♦	HP-3001 ¹	Falcon	4.0L L6 MPI	33-2708	
Ranger	2.3L L4 F/I	33-2024	HP-3001 ¹	LTD Crown Victoria	5.0L V8 F/I	33-2195	HP-3001 ¹
Ranger	2.9L V6 F/I	33-2024	HP-3001 ¹	Mustang	2.3L L4 F/I	33-2044	HP-3001 ¹
Ranger	4.0L V6 F/I	33-2024	HP-3001 ¹	Mustang	5.0L V8 F/I	33-2015 ♦	HP-3001 ¹
Sierra	2.0L L4 F/I - 220/240BHP	33-2532 ♦		Ranger	2.0L L4 CARB	E-1088	HP-3001 ¹
Sierra	2.0L L4 F/I - Exc., 204/220BHP	33-2013 ♦		Ranger	2.3L L4 F/I	33-2002	HP-3001 ¹
Taurus SHO	3.0L V6 F/I	33-2040	HP-2009 ¹	Ranger	2.9L V6 F/I	33-2024	HP-3001 ¹
Thunderbird	3.8L V6 F/I	33-2033	HP-2009 ¹	Sierra	2.0L L4 F/I - 204BHP	33-2532 ♦	
1989 FORD				1987 FORD			
Bronco	4.9L L6 F/I	33-2023 ♦	HP-3001 ¹	Bronco	4.9L L6 F/I	33-2023	HP-3001 ¹
Bronco	5.0L V8 F/I	33-2023 ♦	HP-3001 ¹	Bronco	5.0L V8 F/I	33-2023	HP-3001 ¹
Bronco	5.8L V8 F/I	33-2023 ♦	HP-3001 ¹	Bronco	5.8L V8 CARB	E-1570	HP-3001 ¹
Bronco II	2.9L V6 F/I	33-2024	HP-3001 ¹	Bronco II	2.9L V6 F/I	33-2002	HP-3001 ¹
E150 Econoline	5.0L V8 F/I	33-2023	HP-3001 ¹	E350 Econoline	7.5L V8 CARB		HP-3001 ¹
E150 Econoline Club Wagon	5.0L V8 F/I	33-2023	HP-3001 ¹				
E250 Econoline Club Wagon	5.8L V8 F/I	33-2023					
E350 Econoline	5.8L V8 F/I	33-2023	HP-3001 ¹				
E350 Econoline	7.5L V8 F/I	33-2023	HP-3001 ¹				
E350 Econoline Club Wagon	5.8L V8 F/I	33-2023	HP-3001 ¹				
E350 Econoline Club Wagon	7.5L V8 F/I	33-2023	HP-3001 ¹				
Escort GT	1.9L L4 F/I	33-2087	HP-2009 ¹				
F150	3.8L V6 CARB		HP-2009 ¹				
F150	4.9L L6 F/I	33-2023 ♦	HP-3001 ¹				
F150	5.0L V8 CARB		HP-3001 ¹				
F150	5.0L V8 F/I	33-2023 ♦	HP-3001 ¹				
F150	5.8L V8 F/I	33-2023 ♦	HP-3001 ¹				
F250	4.9L L6 F/I	33-2023 ♦	HP-3001 ¹				
F250	5.0L V8 F/I	33-2023 ♦	HP-3001 ¹				

* 2 filters required ♦ Intake System Available - see page 81 +Cabin Air Filter Available - see page 453 1- Pro Series Filter Available

FORD

AIR & OIL FILTERS

Vehicle	Engine Type	Air Filter	Oil Filter
1987 FORD			
E350 Econoline	7.5L V8 F/I	33-2023	HP-3001 ¹
E350 Econoline Club Wagon	7.5L V8 CARB	E-1570	HP-3001 ¹
F150	4.9L L6 F/I	33-2023	HP-3001 ¹
F150	5.0L V8 CARB		HP-3001 ¹
F150	5.0L V8 F/I	33-2023	HP-3001 ¹
F150	5.8L V8 CARB	E-1570	HP-3001 ¹
F250	4.9L L6 F/I	33-2023	HP-3001 ¹
F250	5.0L V8 F/I	33-2023	HP-3001 ¹
F250	5.8L V8 CARB	E-1570	HP-3001 ¹
F250	6.9L V8 DSL	E-1460	HP-4002
F250	7.5L V8 CARB	E-1570	HP-3001 ¹
F350	6.9L V8 DSL	E-1460	
F350	7.5L V8 CARB	E-1570	HP-3001 ¹
LTD Crown Victoria	5.0L V8 F/I	33-2195	HP-3001 ¹
Mustang	2.3L L4 F/I	33-2044	HP-3001 ¹
Mustang	5.0L V8 F/I	33-2015 ♦	HP-3001 ¹
Ranger	2.3L L4 F/I	33-2002	HP-3001 ¹
Ranger	2.9L V6 F/I	33-2002	HP-3001 ¹
Sierra	2.0L L4 F/I - 204BHP	33-2532 ♦	
Sierra	2.0L L4 F/I - Exc., 204BHP	33-2013 ♦	
Thunderbird	2.3L L4 F/I	E-1931	HP-2004 ¹
Thunderbird	5.0L V8 F/I	33-2015	HP-3001 ¹

Vehicle	Engine Type	Air Filter	Oil Filter
1986 FORD			
Bronco	5.0L V8 F/I	33-2012	HP-3001 ¹
Bronco	5.8L V8 CARB	E-1570	HP-3001 ¹
Bronco II	2.9L V6 F/I	33-2002	HP-3001 ¹
E350 Econoline Club Wagon	7.5L V8 CARB	E-1570	HP-3001 ¹
F150	3.8L V6 CARB		HP-2009 ¹
F150	4.9L L6 CARB	E-1350	HP-3001 ¹
F150	5.0L V8 CARB		HP-3001 ¹
F150	5.0L V8 F/I	33-2012	HP-3001 ¹
F150	5.8L V8 CARB	E-1570	HP-3001 ¹
F250	5.0L V8 F/I	33-2012	HP-3001 ¹
F250	5.8L V8 CARB	E-1570	HP-3001 ¹
F250	6.9L V8 DSL	E-1460	HP-4002
F250	7.5L V8 CARB	E-1570	HP-3001 ¹
F350	6.9L V8 DSL	E-1460	HP-4002
F350	7.5L V8 CARB	E-1570	HP-3001 ¹
LTD	5.0L V8 F/I	33-2195	HP-3001 ¹
Mustang	2.3L L4 CARB	E-1200	HP-3001 ¹
Mustang	2.3L L4 F/I	E-1931	HP-2004 ¹
Mustang	5.0L V8 F/I	33-2015 ♦	HP-3001 ¹
Ranger	2.0L L4 CARB	E-1088	HP-3001 ¹
Ranger	2.3L L4 F/I	33-2002	HP-3001 ¹
Ranger	2.9L V6 F/I	33-2002	HP-3001 ¹
Sierra	2.0L L4 F/I	33-2013	
Thunderbird	5.0L V8 F/I	33-2015	HP-3001 ¹

Vehicle	Engine Type	Air Filter	Oil Filter
1985 FORD			
Bronco	5.0L V8 F/I	33-2012	HP-3001 ¹
Bronco	5.8L V8 2 BBL.	E-1290	HP-3001 ¹
Bronco	5.8L V8 4 BBL.	E-1570	HP-3001 ¹
Bronco II	2.8L V6 CARB	E-1280	HP-3001 ¹
E350 Econoline	7.5L V8 CARB	E-1570	HP-3001 ¹
E350 Econoline Club Wagon	7.5L V8 CARB	E-1570	HP-3001 ¹
F150	4.9L L6 CARB	E-1350	HP-3001 ¹
F150	5.0L V8 CARB	E-1290	HP-3001 ¹
F150	5.0L V8 F/I	33-2012	HP-3001 ¹
F150	5.8L V8 2 BBL.	E-1290	HP-3001 ¹
F150	5.8L V8 4 BBL.	E-1570	HP-3001 ¹
F250	5.8L V8 2 BBL.	E-1290	HP-3001 ¹

Vehicle	Engine Type	Air Filter	Oil Filter
1985 FORD			
F250	5.8L V8 4 BBL.	E-1570	HP-3001 ¹
F250	6.9L V8 DSL	E-1460	HP-4002
F250	7.5L V8 CARB	E-1570	HP-3001 ¹
F350	6.9L V8 DSL	E-1460	HP-4002
F350	7.5L V8 CARB	E-1570	HP-3001 ¹
LTD	5.0L V8 F/I		HP-3001 ¹
Mustang	2.3L L4 CARB	E-1200	HP-3001 ¹
Mustang	2.3L L4 F/I	E-1931	HP-2004 ¹
Mustang	5.0L V8 CARB	E-1535	HP-3001 ¹
Ranger	2.0L L4 CARB	E-1088	HP-3001 ¹
Ranger	2.3L L4 F/I	33-2002	HP-3001 ¹
Ranger	2.8L V6 CARB	E-1280	HP-3001 ¹

Vehicle	Engine Type	Air Filter	Oil Filter
1984 FORD			
Bronco	5.0L V8 CARB	E-1290	HP-3001 ¹
Bronco	5.8L V8 2 BBL.	E-1290	HP-3001 ¹
Bronco	5.8L V8 4 BBL.	E-1570	HP-3001 ¹
Bronco II	2.8L V6 CARB	E-1280	HP-3001 ¹
Escort	1.6L L4 CARB	E-1958	
F150	4.9L L6 CARB	E-1350	HP-3001 ¹
F150	5.0L V8 CARB	E-1290	HP-3001 ¹
F150	5.8L V8 CARB	E-1290	HP-3001 ¹
F250	5.8L V8 2 BBL.	E-1290	HP-3001 ¹
F250	5.8L V8 4 BBL.	E-1570	HP-3001 ¹
F250	6.9L V8 DSL	E-1460	HP-4002
F250	7.5L V8 CARB	E-1570	HP-3001 ¹
F350	6.9L V8 DSL	E-1460	
Granada	2.5L L4 DSL	E-3740	
Granada	2.8L V6 F/I	33-2013	
Mustang	2.3L L4 CARB	E-1200	HP-3001 ¹
Mustang	2.3L L4 F/I	E-1931	HP-2004 ¹
Mustang	5.0L V8 CARB	E-1535	HP-2004 ¹
Mustang	5.0L V8 F/I	E-1535	HP-3001 ¹
Ranger	2.3L L4 CARB	E-1088	HP-3001 ¹

Vehicle	Engine Type	Air Filter	Oil Filter
1983 FORD			
Escort	1.6L L4 CARB	E-1958	
F100	5.0L V8 CARB		HP-3001 ¹
F150	4.9L L6 CARB	E-1350	HP-3001 ¹
F150	5.0L V8 CARB	E-1290	HP-3001 ¹
F150	5.8L V8 CARB	E-1290	HP-3001 ¹
F250	6.9L V8 DSL	E-1460	
F250	7.5L V8 CARB	E-1570	HP-3001 ¹
Mustang	5.0L V8 CARB	E-1535	HP-3001 ¹
Ranger	2.2L L4 DSL	E-0990	
Ranger	2.3L L4 CARB	E-1088	HP-3001 ¹
Ranger	2.8L V6 CARB	E-1280	HP-3001 ¹

Vehicle	Engine Type	Air Filter	Oil Filter
1982 FORD			
Bronco	5.0L V8 CARB	E-1290	HP-3001 ¹
F100	4.9L L6 CARB	E-1350	HP-3001 ¹
F150	4.9L L6 CARB	E-1350	HP-3001 ¹
F150	5.0L V8 CARB	E-1290	HP-3001 ¹
Granada	2.8L V6 F/I	33-2013	
Mustang	5.0L V8 CARB	E-1290	HP-3001 ¹

Vehicle	Engine Type	Air Filter	Oil Filter
1981 FORD			
Bronco	5.8L V8 CARB		HP-3001 ¹
F100	4.9L L6 CARB	E-1040	HP-3001 ¹
F150	4.9L L6 CARB	E-1040	HP-3001 ¹
F150	5.0L V8 CARB	E-1290	HP-3001 ¹
F150	5.8L V8 CARB	E-1290	HP-3001 ¹
Granada	4.2L V8 CARB	E-1180	HP-3001 ¹
Mustang	5.0L V8 CARB		HP-2004 ¹

Vehicle	Engine Type	Air Filter	Oil Filter
1980 FORD			
Bronco	302 V8 CARB	E-1290	HP-3001 ¹

* 2 filters required ♦ Intake System Available - see page 81 +Cabin Air Filter Available - see page 453 1- Pro Series Filter Available

AIR & OIL FILTERS

FORD

Vehicle	Engine Type	Air Filter	Oil Filter
1980 FORD			
F100	300 L6 CARB	E-1040	HP-3001 ¹
F150	300 L6 CARB	E-1040	HP-3001 ¹
F150	302 V8 CARB	E-1290	HP-3001 ¹
F150	351 V8 CARB	E-1290	HP-3001 ¹
Mustang	5.0L V8 CARB		HP-2004 ¹
Pinto	140 L4 CARB	E-1200	HP-3001 ¹

1979 FORD			
Bronco	351 V8 CARB	E-1290	HP-3001 ¹
Bronco	400 V8 CARB	E-1290	HP-3001 ¹
F100	300 L6 CARB		HP-3001 ¹
F100	302 V8 CARB	E-1290	HP-3001 ¹
F100	351 V8 CARB	E-1290	HP-3001 ¹
F150	300 L6 CARB	E-1040	HP-3001 ¹
F150	302 V8 CARB	E-1290	HP-3001 ¹
F150	351 V8 CARB	E-1290	HP-3001 ¹
F150	400 V8 CARB	E-1290	HP-3001 ¹
F150	460 V8 CARB	E-1570	HP-3001 ¹
F250	300 L6 CARB	E-1040	HP-3001 ¹
F250	351 V8 CARB	E-1290	HP-3001 ¹
F250	400 V8 CARB	E-1290	HP-3001 ¹
F250	460 V8 CARB	E-1570	HP-3001 ¹
F350	460 V8 CARB	E-1570	HP-3001 ¹
Mustang	140 L4 CARB		HP-3001 ¹
Mustang	302 V8 CARB	E-1180	HP-3001 ¹

1978 FORD			
Bronco	351 V8 CARB	E-1290	HP-3001 ¹
Bronco	400 V8 CARB	E-1290	HP-3001 ¹
F100	302 V8 CARB	E-1290	HP-3001 ¹
F100	351 V8 CARB	E-1290	HP-3001 ¹
F150	300 L6 CARB	E-1040	HP-3001 ¹
F150	302 V8 CARB	E-1290	HP-3001 ¹
F150	351 V8 CARB	E-1290	HP-3001 ¹
F150	400 V8 CARB	E-1290	HP-3001 ¹
F150	460 V8 CARB	E-1570	HP-3001 ¹
F250	351 V8 CARB	E-1290	HP-3001 ¹
F250	400 V8 CARB	E-1290	HP-3001 ¹
F250	460 V8 CARB	E-1570	HP-3001 ¹
Mustang II	302 V8 CARB	E-1180	HP-2004 ¹
Pinto	140 L4 CARB		HP-3001 ¹

1977 FORD			
Bronco	302 V8 CARB	E-1040	HP-3001 ¹
F100	302 V8 CARB	E-1290	HP-3001 ¹
F100	351 V8 CARB	E-1290	HP-3001 ¹
F150	351 V8 CARB	E-1290	HP-3001 ¹
F150	400 V8 CARB	E-1290	HP-3001 ¹
F150	460 V8 CARB	E-1570	HP-3001 ¹
F250	351 V8 CARB	E-1290	HP-3001 ¹
F250	400 V8 CARB	E-1290	HP-3001 ¹
F250	460 V8 CARB	E-1570	HP-3001 ¹
Mustang II	302 V8 CARB	E-1180	
Mustang II	302 V8 CARB - Short Filter	E-1180	HP-2004 ¹
Mustang II	302 V8 CARB - Tall Filter	E-1180	HP-3001 ¹

1976 FORD			
Bronco	302 V8 CARB	E-1040	HP-3001 ¹
Courier	110 L4 CARB	E-2890	
F100	360 V8 CARB		HP-3001 ¹
F150	360 V8 CARB	E-1570	HP-3001 ¹
F150	390 V8 CARB	E-1570	HP-3001 ¹
F250	360 V8 CARB	E-1570	HP-3001 ¹
F250	390 V8 CARB	E-1570	HP-3001 ¹
F250	460 V8 CARB	E-1570	HP-3001 ¹

Vehicle	Engine Type	Air Filter	Oil Filter
1976 FORD			
Mustang II	302 V8 CARB	E-1550	
Mustang II	302 V8 CARB - Short Filter	E-1550	HP-2004 ¹
Mustang II	302 V8 CARB - Tall Filter	E-1550	HP-3001 ¹

1975 FORD			
Bronco	302 V8 CARB	E-1040	HP-3001 ¹
F100	360 V8 CARB		HP-3001 ¹
F250	390 V8 CARB	E-1570	HP-3001 ¹
F250	460 V8 CARB	E-1570	HP-3001 ¹
Mustang II	302 V8 CARB	E-1550	
Mustang II	302 V8 CARB - Short Filter	E-1550	HP-2004 ¹
Mustang II	302 V8 CARB - Tall Filter	E-1550	HP-3001 ¹

1974 FORD			
Bronco	302 V8 CARB	E-1040	
Bronco	302 V8 CARB - Exc. Cart. Type	E-1040	HP-3001 ¹
F100 Pickup	302 V8 CARB	E-1290	HP-3001 ¹
F100 Pickup	360 V8 CARB	E-1570	HP-3001 ¹
F250 Pickup	390 V8 CARB		HP-3001 ¹
F250 Pickup	460 V8 CARB		HP-3001 ¹
Maverick	302 V8 CARB	E-1300	HP-3001 ¹

1973 FORD			
Bronco	302 V8 CARB	E-1040	
Bronco	302 V8 CARB - Exc. Cart. Type	E-1040	HP-3001 ¹
F100 Pickup	302 V8 CARB	E-1290	HP-3001 ¹
F100 Pickup	360 V8 CARB		HP-3001 ¹
F100 Pickup	390 V8 CARB		HP-3001 ¹
F250 Pickup	390 V8 CARB	E-1570	HP-3001 ¹
Gran Torino	351 V8 CARB		HP-3001 ¹
Mustang	302 V8 CARB	E-1325	HP-3001 ¹
Mustang	351 V8 CARB		HP-3001 ¹
Mustang	351 V8 CARB - Exc. Police Package	E-1580	HP-3001
Mustang	351 V8 CARB - Police Package	E-1570	HP-3001

1972 FORD			
Bronco	302 V8 CARB	E-1040	
Bronco	302 V8 CARB - Exc. Cart. Type	E-1040	HP-3001 ¹
F100 Pickup	302 V8 CARB	E-1570	HP-3001 ¹
F100 Pickup	360 V8 CARB	E-1570	HP-3001 ¹
F100 Pickup	390 V8 CARB	E-1570	HP-3001 ¹
F250 Pickup	360 V8 CARB	E-1570	HP-3001 ¹
F250 Pickup	390 V8 CARB	E-1570	HP-3001 ¹
Gran Torino	351 V8 2 BBL.		HP-3001 ¹
Gran Torino	351 V8 4 BBL.		HP-3001 ¹
Maverick	302 V8 CARB		HP-3001 ¹
Mustang	302 V8 CARB	E-1300	HP-3001 ¹
Mustang	351 V8 CARB		HP-3001 ¹
Mustang	351 V8 CARB - w/o Ram Air	E-1300	HP-3001
Mustang	351 V8 CARB - w/Ram Air	E-1570	HP-3001
Ranchero	351 V8 2 BBL.		HP-3001 ¹
Ranchero	351 V8 4 BBL.		HP-3001 ¹
Ranchero	351 V8 4 BBL. - w/Ram Air	E-1560	HP-3001

1971 FORD			
Bronco	302 V8 CARB	E-1040	
Bronco	302 V8 CARB - Exc. Cart. Type	E-1040	HP-3001 ¹
F100 Pickup	302 V8 CARB	E-1570	HP-3001 ¹

* 2 filters required ♦ Intake System Available - see page 81 +Cabin Air Filter Available - see page 453 1- Pro Series Filter Available

FORD

AIR & OIL FILTERS

Vehicle	Engine Type	Air Filter	Oil Filter	Vehicle	Engine Type	Air Filter	Oil Filter
1971 FORD				1968 FORD			
F100 Pickup	360 V8 CARB	E-1570	HP-3001 ¹	Bronco	302 V8 CARB - Exc. Cart. Type		HP-3001 ¹
F100 Pickup	390 V8 CARB	E-1570	HP-3001 ¹	F100 Pickup	300 L6 CARB		HP-3001 ¹
F250 Pickup	390 V8 CARB	E-1570	HP-3001 ¹	F100 Pickup	360 V8 CARB	E-1570	HP-3001 ¹
Mustang	302 V8 CARB		HP-3001 ¹	F100 Pickup	390 V8 CARB	E-1570	HP-3001 ¹
Mustang	302 V8 CARB - w/o Ram Air	E-1560	HP-3001	F250 Pickup	360 V8 CARB		HP-3001 ¹
Mustang	302 V8 CARB - w/Ram Air	E-1570	HP-3001	F250 Pickup	390 V8 CARB		HP-3001 ¹
Mustang	351 V8 2 BBL.	E-1570	HP-3001 ¹	Galaxie 500	390 V8 CARB	E-1570	HP-3001 ¹
Mustang	351 V8 4 BBL.	E-1560	HP-3001 ¹	Mustang	200 L6 CARB	E-1030	HP-3001 ¹
Mustang	429 V8 CARB		HP-3001 ¹	Mustang	289 V8 CARB	E-1570	HP-3001 ¹
Mustang	429 V8 CARB - SCJ, w/o Ram Air, GPD Carb.	E-1560	HP-3001	Mustang	302 V8 CARB	E-1570	HP-3001 ¹
Mustang	429 V8 CARB - w/Ram Air, w/ Rochester Carb.	E-1570	HP-3001	Mustang	390 V8 CARB	E-1570	HP-3001 ¹
Mustang Boss 302	302 V8 CARB		HP-3001 ¹	Mustang	427 V8 CARB	E-1560	HP-3001 ¹
Mustang Boss 302	302 V8 CARB - w/o Ram Air	E-1560	HP-3001	Mustang	428 V8 CARB	E-1560	HP-3001 ¹
Mustang Boss 302	302 V8 CARB - w/Ram Air	E-1570	HP-3001	1967 FORD			
Torino	351 V8 CARB	E-1570	HP-3001 ¹	F100 Pickup	352 V8 CARB	E-1110	
1970 FORD				F100 Pickup	352 V8 CARB - 2WD	E-1110	HP-3001 ¹
Bronco	302 V8 CARB	E-1040		F250 Pickup	352 V8 CARB	E-1110	
Bronco	302 V8 CARB - Exc. Cart. Type	E-1040	HP-3001 ¹	F250 Pickup	352 V8 CARB - 2WD	E-1110	HP-3001 ¹
Cortina Mk3/4/5	1.6L L4 CARB - OHV, Ford Carb.	E-2566		Fairlane	289 V8 CARB	E-1040	HP-3001 ¹
F100 Pickup	300 L6 CARB	E-1200	HP-3001 ¹	Fairlane	390 V8 CARB		HP-3001 ¹
F100 Pickup	302 V8 CARB	E-1570	HP-3001 ¹	Fairlane	427 V8 CARB	E-1960	HP-3001 ¹
F100 Pickup	390 V8 CARB	E-1570	HP-3001 ¹	Galaxie 500	390 V8 CARB	E-1090	HP-3001 ¹
F250 Pickup	360 V8 CARB	E-1570	HP-3001 ¹	Galaxie 500	427 V8 CARB	E-1560	HP-3001 ¹
F250 Pickup	390 V8 CARB	E-1570	HP-3001 ¹	Mustang	200 L6 CARB	E-1080	HP-3001 ¹
Mustang	302 V8 2 BBL.	E-1570	HP-3001 ¹	Mustang	289 V8 CARB	E-1040	HP-3001 ¹
Mustang	302 V8 4 BBL.	E-1560	HP-3001 ¹	Mustang	390 V8 CARB	E-1560	HP-3001 ¹
Mustang	351 V8 2 BBL.		HP-3001 ¹	1966 FORD			
Mustang	351 V8 2 BBL. - w/o Ram Air	E-1570	HP-3001	Cortina GT	1.5L L4 CARB	E-2640	
Mustang	351 V8 2 BBL. - w/Ram Air	E-1580	HP-3001	F100 Pickup	240 L6 CARB	E-1080	
Mustang	351 V8 4 BBL.		HP-3001 ¹	F100 Pickup	240 L6 CARB - Exc. Cart. Type	E-1080	HP-3001 ¹
Mustang	351 V8 4 BBL. - w/o Ram Air	E-1570	HP-3001	F100 Pickup	352 V8 CARB	E-1110	
Mustang	351 V8 4 BBL. - w/Ram Air	E-1580	HP-3001	F100 Pickup	352 V8 CARB - Exc. Cart. Type	E-1110	HP-3001 ¹
Mustang	428 V8 CARB	E-1560	HP-3001 ¹	Fairlane	289 V8 CARB	E-1040	HP-3001 ¹
Mustang	429 V8 CARB	E-1560	HP-3001 ¹	Fairlane	390 V8 CARB	E-1090	HP-3001 ¹
Mustang Boss 302	302 V8 4 BBL.	E-1560	HP-3001 ¹	Fairlane	427 V8 CARB	E-1960	HP-3001 ¹
Torino	429 V8 CARB		HP-3001 ¹	Galaxie 500	390 V8 CARB	E-1090	HP-3001 ¹
Torino	429 V8 CARB - VIN C	E-1560	HP-3001	Galaxie 500	427 V8 CARB	E-1560	HP-3001 ¹
Torino	429 V8 CARB - VIN J	E-1570	HP-3001	Mustang	200 L6 CARB	E-1080	HP-3001 ¹
Torino	429 V8 CARB - VIN N	E-1580	HP-3001	Mustang	289 V8 CARB	E-1090	HP-3001 ¹
1969 FORD				Thunderbird	390 V8 CARB	E-1090	HP-3001 ¹
Bronco	302 V8 CARB	E-1040		1965 FORD			
Bronco	302 V8 CARB - Exc. Cart. Type	E-1040	HP-3001 ¹	F100 Pickup	352 V8 CARB	E-1110	
F100 Pickup	302 V8 CARB	E-1040	HP-3001 ¹	F100 Pickup	352 V8 CARB - Spin On	E-1110	HP-3001 ¹
F100 Pickup	360 V8 CARB	E-1570	HP-3001 ¹	Falcon	289 V8 2 BBL.	E-2865	HP-3001 ¹
F100 Pickup	390 V8 CARB	E-1570	HP-3001 ¹	Falcon	289 V8 4 BBL.	E-1040	HP-3001 ¹
F250 Pickup	360 V8 CARB	E-1570	HP-3001 ¹	Falcon Sedan Delivery	289 V8 2 BBL.	E-2865	HP-3001 ¹
Mustang	250 L6 CARB		HP-3001 ¹	Falcon Sedan Delivery	289 V8 4 BBL.	E-1040	HP-3001 ¹
Mustang	302 V8 CARB	E-1570	HP-3001 ¹	Galaxie	427 V8 CARB	E-1960	
Mustang	351 V8 CARB	E-1570	HP-3001 ¹	Galaxie 500	352 V8 CARB	E-1090	HP-3001 ¹
Mustang	390 V8 CARB	E-1570	HP-3001 ¹	Galaxie 500	390 V8 CARB	E-1090	HP-3001 ¹
Mustang	428 V8 CARB	E-1560	HP-3001 ¹	Galaxie 500	427 V8 CARB	E-1960	HP-3001 ¹
Mustang	429 V8 CARB	E-1560	HP-3001 ¹	Mustang	170 L6 CARB	E-1080	HP-3001 ¹
Mustang Boss 302	302 V8 CARB	E-1570	HP-3001 ¹	Mustang	200 L6 CARB	E-1080	HP-3001 ¹
Torino	351 V8 CARB		HP-3001 ¹	Mustang	289 V8 CARB		HP-3001 ¹
				Mustang	289 V8 CARB - Exc. Hi Perf.	E-1090	HP-3001
				Mustang	289 V8 CARB - Hi Perf.	E-1560	HP-3001
				Ranchero	289 V8 CARB	E-1040	HP-3001 ¹
				Thunderbird	390 V8 CARB		HP-3001 ¹

* 2 filters required ♦ Intake System Available - see page 81 +Cabin Air Filter Available - see page 453 1- Pro Series Filter Available

AIR & OIL FILTERS

FORD

Vehicle	Engine Type	Air Filter	Oil Filter
1965 FORD			
Thunderbird	390 V8 CARB - Calif.	E-1080	HP-3001
Thunderbird	390 V8 CARB - Exc. Calif	E-1090	HP-3001
1964 FORD			
F100 Pickup	292 V8 CARB		HP-3001 ¹
Fairlane	289 V8 CARB	E-1040	HP-3001 ¹
Fairlane	427 V8 CARB	E-1960	HP-3001 ¹
Falcon	289 V8 CARB	E-1040	HP-3001 ¹
Galaxie	390 V8 CARB	E-1960	
Galaxie 500	352 V8 CARB	E-1110	HP-3001 ¹
Galaxie 500	390 V8 CARB	E-1960	HP-3001 ¹
Mustang	289 V8 CARB		HP-3001 ¹
Mustang	289 V8 CARB - Exc. Hi Perf.	E-1080	HP-3001
Mustang	289 V8 CARB - Hi Perf.	E-1090	HP-3001
Thunderbird	390 V8 CARB	E-1110	HP-3001 ¹
Thunderbird	427 V8 CARB	E-1960	
1963 FORD			
Falcon	260 V8 CARB	E-1040	HP-3001 ¹
Falcon Sedan Delivery	260 V8 CARB	E-1040	HP-3001 ¹
Galaxie	406 V8 CARB	E-1960	HP-3001 ¹
Galaxie 500	390 V8 CARB	E-1110	HP-3001 ¹
Galaxie 500	406 V8 CARB	E-1960	HP-3001 ¹
Thunderbird	390 V8 CARB	E-1110	HP-3001 ¹
Thunderbird	427 V8 CARB	E-1960	
1962 FORD			
F100 Pickup	223 L6 CARB		HP-3001 ¹
Falcon	170 L6 CARB	E-1080	HP-3001 ¹
Galaxie	390 V8 CARB	E-1960	
Galaxie 500	390 V8 CARB	E-1960	
Galaxie 500	406 V8 CARB		HP-3001 ¹
1961 FORD			
Galaxie	352 V8 CARB	E-1960	
Thunderbird	390 V8 CARB		HP-3001 ¹
1960 FORD			
Thunderbird	352 V8 CARB		HP-3001 ¹
1959 FORD			
Thunderbird	352 V8 CARB		HP-3001 ¹
1957 FORD			
Thunderbird	312 V8 CARB		HP-3001 ¹
2015 FREIGHTLINER			
Sprinter 2500	3.0L V6 DSL		PS-7028
Sprinter 3500	3.0L V6 DSL		PS-7028
2014 FREIGHTLINER			
Sprinter 3500	3.0L V6 DSL		PS-7028
2012 FREIGHTLINER			
Sprinter 2500	3.0L V6 DSL		PS-7028
2010 FREIGHTLINER			
Sprinter 3500	3.0L V6 DSL		PS-7028
2007 FREIGHTLINER			
Sprinter 3500	3.5L V6 F/I		PS-7004
2006 FREIGHTLINER			
Sprinter 2500	2.7L L5 DSL		PS-7004
Sprinter 3500	2.7L L5 DSL		PS-7004
2005 FREIGHTLINER			
Sprinter 2500	2.7L L5 DSL		PS-7004
Sprinter 3500	2.7L L5 DSL		PS-7004

Vehicle	Engine Type	Air Filter	Oil Filter
2004 FREIGHTLINER			
Sprinter 2500	2.7L L5 DSL		PS-7004
Sprinter 3500	2.7L L5 DSL		PS-7004
2003 FREIGHTLINER			
Sprinter 2500	2.7L L5 DSL		PS-7004
Sprinter 3500	2.7L L5 DSL		PS-7004
2002 FREIGHTLINER			
Sprinter 3500	2.7L L5 DSL		PS-7004
2010 GAS GAS			
EC250 4T	250		KN-140
EC250 Racing	250		KN-140
1997 GEO			
Metro	1.0L L3 F/I	E-9209	HP-1002 ¹
Metro	1.3L L4 F/I	E-9209	
Prizm	1.6L L4 F/I	33-2672	HP-1003 ¹
Prizm	1.8L L4 F/I	33-2672	
Tracker	1.6L L4 F/I	33-2065	HP-1002 ¹
1996 GEO			
Metro	1.0L L3 F/I	E-9209	HP-1002 ¹
Metro	1.3L L4 F/I	E-9209	HP-1002 ¹
Prizm	1.6L L4 F/I	33-2672	HP-1003 ¹
Prizm	1.8L L4 F/I	33-2672	
Tracker	1.6L L4 F/I	33-2065	HP-1002 ¹
1995 GEO			
Metro	1.0L L3 F/I	E-9209	HP-1002 ¹
Metro	1.3L L4 F/I	E-9209	HP-1002 ¹
Prizm	1.6L L4 F/I	33-2672	HP-1003 ¹
Prizm	1.8L L4 F/I	33-2672	HP-1003 ¹
Tracker	1.6L L4 F/I	33-2065	HP-1002 ¹
Tracker	1.6L L4 F/I - VIN 6	33-2065	HP-1002
Tracker	1.6L L4 F/I - VIN U	33-2700	HP-1002
1994 GEO			
Metro	1.0L L3 F/I	E-9209	HP-1002 ¹
Prizm	1.6L L4 F/I	33-2672	HP-1003 ¹
Prizm	1.8L L4 F/I	33-2672	HP-1003 ¹
Tracker	1.6L L4 F/I - VIN 6	33-2065	HP-1002 ¹
Tracker	1.6L L4 F/I - VIN U	33-2700	HP-1002 ¹
1993 GEO			
Metro	1.0L L3 F/I	E-9209	HP-1002 ¹
Prizm	1.6L L4 F/I		HP-1003 ¹
Storm	1.6L L4 F/I	33-2050-1	
Tracker	1.6L L4 F/I	33-2700	HP-1002 ¹
1992 GEO			
Metro	1.0L L3 F/I	E-9209	HP-1002 ¹
Tracker	1.6L L4 F/I	33-2700	HP-1002 ¹
1991 GEO			
Metro	1.0L L3 F/I	E-9209	HP-1002 ¹
Storm	1.6L L4 F/I	33-2050-1	
1990 GEO			
Metro	1.0L L3 F/I	E-9209	
Tracker	1.6L L4 F/I	33-2700	HP-1002 ¹
2016 GMC			
Acadia	3.6L V6 F/I	33-2394	HP-2011 ¹
Canyon	2.5L L4 F/I	33-5030	HP-1017 ¹
Canyon	3.6L V6 F/I	33-5030 ♦	PS-7003
Sierra 1500	5.3L V8 F/I		HP-2011 ¹
Sierra 1500	6.2L V8 F/I		HP-2011 ¹
Sierra 2500 HD	6.0L V8 F/I		HP-1017 ¹
Sierra 2500 HD	6.6L V8 DSL		HP-3003 ¹

* 2 filters required ♦ Intake System Available - see page 81 +Cabin Air Filter Available - see page 453 1- Pro Series Filter Available

Partial Listing - Complete List of Vehicles and Applications at knfilters.com

GMC

AIR & OIL FILTERS

Vehicle	Engine Type	Air Filter	Oil Filter
2016 GMC			
Sierra 3500 HD	6.0L V8 F/I		HP-1017 ¹
Sierra 3500 HD	6.6L V8 DSL		HP-3003 ¹
Terrain	2.4L L4 F/I		PS-7000
Terrain	3.6L V6 F/I		HP-2011 ¹
Yukon	5.3L V8 F/I	33-2129 ♦	HP-2011 ¹
Yukon Denali	6.2L V8 F/I		HP-2011 ¹
Yukon Denali XL	6.2L V8 F/I		HP-2011 ¹
Yukon XL	5.3L V8 F/I		HP-2011 ¹

Vehicle	Engine Type	Air Filter	Oil Filter
2015 GMC			
Acadia	3.6L V6 F/I	33-2394 ⁺	HP-2011 ¹
Canyon	2.5L L4 F/I	33-5030	
Canyon	3.6L V6 F/I	33-5030 ♦	PS-7003
Savana 1500	4.3L V8 F/I		HP-1001 ¹
Savana 1500	5.3L V8 F/I		HP-1017 ¹
Savana 2500	4.8L V8 F/I	E-1986	
Savana 2500	6.0L V8 F/I	E-1986	HP-1017 ¹
Savana 3500	6.0L V8 F/I	E-1986	
Sierra	5.3L V8 F/I	33-2129 ⁺	HP-2011 ¹
Sierra 1500	4.3L V6 F/I	33-2129 ⁺	HP-2011 ¹
Sierra 1500	5.3L V8 F/I	33-2129 ♦+	HP-2011 ¹
Sierra 1500	6.2L V8 F/I	33-2135 ♦	HP-2011 ¹
Sierra 2500 HD	6.0L V8 F/I	33-2135 ♦+	HP-1017 ¹
Sierra 2500 HD	6.6L V8 DSL	33-2466 ♦	HP-3003 ¹
Sierra 3500 HD	6.0L V8 F/I	33-2135 ♦+	HP-1017 ¹
Sierra 3500 HD	6.6L V8 DSL	33-2466 ♦	HP-3003 ¹
Terrain	2.4L L4 F/I	33-2439 ⁺	PS-7000
Terrain	3.6L V6 F/I	33-2439 ⁺	HP-2011 ¹
Yukon	5.3L V8 F/I	33-2129 ♦+	HP-1017 ¹
Yukon Denali	6.2L V8 F/I	33-2135 ♦+	HP-1017 ¹
Yukon Denali XL	6.2L V8 F/I	33-2135 ♦+	HP-1017 ¹
Yukon XL	5.3L V8 F/I	33-2129 ♦+	HP-1017 ¹

Vehicle	Engine Type	Air Filter	Oil Filter
2014 GMC			
Acadia	3.6L V6 F/I	33-2394 ⁺	HP-2011 ¹
Savana 1500	4.3L V6 F/I	E-1986	HP-1001 ¹
Savana 1500	5.3L V8 F/I		HP-1017 ¹
Savana 2500	4.8L V8 F/I	E-1986	HP-1017 ¹
Savana 2500	6.0L V8 F/I	E-1986	
Sierra 1500	4.3L V6 F/I	33-2129 ♦+	HP-2011 ¹
Sierra 1500	5.3L V8 F/I	33-2129 ♦+	HP-1017 ¹
Sierra 1500	6.2L V8 F/I	33-2135 ♦	HP-2011 ¹
Sierra 2500 HD	6.0L V8 F/I	33-2135	HP-1017 ¹
Sierra 2500 HD	6.6L V8 DSL	33-2466 ♦	HP-3003 ¹
Sierra 3500 HD	6.0L V8 F/I	33-2135	HP-1017 ¹
Sierra 3500 HD	6.6L V8 DSL	33-2466 ♦	HP-3003 ¹
Sierra Denali	6.2L V8 F/I	33-2135	HP-1017 ¹
Terrain	2.4L L4 F/I	33-2439 ♦+	PS-7000
Terrain	3.6L V6 F/I	33-2439 ⁺	HP-2011 ¹
Yukon	5.3L V8 F/I	33-2129 ♦	HP-1017 ¹
Yukon Denali	6.2L V8 F/I	33-2135 ♦	HP-1017 ¹
Yukon Denali XL	6.2L V8 F/I	33-2135 ♦	HP-1017 ¹
Yukon XL 1500	5.3L V8 F/I	33-2129 ♦	HP-1017 ¹
Yukon XL 1500	6.2L V8 F/I	33-2135	

Vehicle	Engine Type	Air Filter	Oil Filter
2013 GMC			
Acadia	3.6L V6 F/I	33-2394 ⁺	HP-2011 ¹
Savana 1500	5.3L V8 F/I	E-1986	HP-1017 ¹
Savana 2500	6.0L V8 F/I	E-1986	
Savana 3500	6.0L V8 F/I	E-1986	HP-1017 ¹
Sierra 1500	4.3L V6 F/I	33-2129	HP-1001 ¹
Sierra 1500	4.8L V8 F/I	33-2129 ♦	HP-1017 ¹
Sierra 1500	5.3L V8 F/I	33-2129 ♦	HP-1017 ¹
Sierra 1500	6.2L V8 F/I	33-2135 ♦	HP-1017 ¹
Sierra 1500 Hybrid	6.0L V8 F/I	33-2135	HP-1017 ¹
Sierra 2500 HD	6.0L V8 F/I	33-2135	HP-1017 ¹

Vehicle	Engine Type	Air Filter	Oil Filter
2013 GMC			
Sierra 2500 HD	6.6L V8 DSL	33-2466 ♦	HP-3003 ¹
Sierra 3500 HD	6.0L V8 F/I	33-2135	HP-1017 ¹
Sierra 3500 HD	6.6L V8 DSL	33-2466 ♦	HP-3003 ¹
Sierra Denali	6.2L V8 F/I	33-2135 ♦	HP-1017 ¹
Terrain	2.4L L4 F/I	33-2439 ♦+	PS-7000
Terrain	3.6L V6 F/I	33-2439 ⁺	HP-2011 ¹
Yukon	5.3L V8 F/I	33-2129 ♦	HP-1017 ¹
Yukon Denali	6.2L V8 F/I	33-2135 ♦	HP-1017 ¹
Yukon Denali Hybrid	6.0L V8 F/I	33-2135	HP-1017 ¹
Yukon Denali XL	6.2L V8 F/I	33-2135 ♦	HP-1017 ¹
Yukon Hybrid	6.0L V8 F/I	33-2135	
Yukon XL 1500	5.3L V8 F/I	33-2129 ♦	HP-1017 ¹
Yukon XL 1500	6.2L V8 F/I	33-2135 ♦	HP-1017 ¹
Yukon XL 2500	6.0L V8 F/I	33-2135	HP-1017 ¹

Vehicle	Engine Type	Air Filter	Oil Filter
2012 GMC			
Acadia	3.6L V6 F/I	33-2394 ⁺	HP-2011 ¹
Canyon	2.9L L4 F/I	33-2408 ♦	HP-1007 ¹
Canyon	3.7L L5 F/I	33-2408 ♦	HP-2006 ¹
Canyon	5.3L V8 F/I	33-2408	HP-1017 ¹
Savana 1500	5.3L V8 F/I	E-1986	HP-1017 ¹
Savana 3500	6.0L V8 F/I	E-1986	
Sierra 1500	4.3L V6 F/I	33-2129	HP-1001 ¹
Sierra 1500	4.8L V8 F/I	33-2129 ♦	HP-1017 ¹
Sierra 1500	5.3L V8 F/I	33-2129 ♦	HP-1017 ¹
Sierra 1500	6.2L V8 F/I	33-2135 ♦	HP-1017 ¹
Sierra 1500 Hybrid	6.0L V8 F/I	33-2135	HP-1017 ¹
Sierra 2500 HD	6.0L V8 F/I	33-2135 ♦	HP-1017 ¹
Sierra 2500 HD	6.6L V8 DSL	33-2466 ♦	HP-3003 ¹
Sierra 3500 HD	6.0L V8 F/I	33-2135 ♦	HP-1017 ¹
Sierra 3500 HD	6.6L V8 DSL	33-2466 ♦	HP-3003 ¹
Sierra Denali	6.2L V8 F/I	33-2135 ♦	HP-1017 ¹
Terrain	2.4L L4 F/I	33-2439 ♦+	PS-7000
Terrain	3.0L V6 F/I	33-2439 ♦+	HP-2011 ¹
Yukon	5.3L V8 F/I	33-2129 ♦	HP-1017 ¹
Yukon Denali	6.2L V8 F/I	33-2135 ♦	HP-1017 ¹
Yukon Denali Hybrid	6.0L V8 F/I	33-2135	HP-1017 ¹
Yukon Denali XL	6.2L V8 F/I	33-2135 ♦	HP-1017 ¹
Yukon XL 1500	5.3L V8 F/I	33-2129 ♦	HP-1017 ¹
Yukon XL 2500	6.0L V8 F/I	33-2135	HP-1017 ¹

Vehicle	Engine Type	Air Filter	Oil Filter
2011 GMC			
Acadia	3.6L V6 F/I	33-2394 ⁺	HP-2011 ¹
Canyon	2.9L L4 F/I	33-2408 ♦	HP-1007 ¹
Canyon	3.7L L5 F/I	33-2408 ♦	HP-2006 ¹
Canyon	5.3L V8 F/I	33-2408	HP-1017 ¹
Savana 1500	4.3L V6 F/I	E-1986	
Savana 1500	5.3L V8 F/I	E-1986	HP-1017 ¹
Savana 2500	4.8L V8 F/I	E-1986	
Savana 3500	4.8L V8 F/I	E-1986	
Sierra 1500	4.3L V6 F/I	33-2129	HP-1001 ¹
Sierra 1500	4.8L V8 F/I	33-2129 ♦	HP-1017 ¹
Sierra 1500	5.3L V8 F/I	33-2129 ♦	HP-1017 ¹
Sierra 1500	6.2L V8 F/I	33-2135 ♦	HP-1017 ¹
Sierra 1500 Hybrid	6.0L V8 F/I	33-2135	HP-1017 ¹
Sierra 2500 HD	6.0L V8 F/I	33-2135 ♦	HP-1017 ¹
Sierra 2500 HD	6.6L V8 DSL	33-2466 ♦	HP-3003 ¹
Sierra 3500 HD	6.0L V8 F/I	33-2135 ♦	HP-1017 ¹
Sierra 3500 HD	6.6L V8 DSL	33-2466 ♦	HP-3003 ¹
Sierra Denali	6.2L V8 F/I	33-2135 ♦	HP-1017 ¹
Terrain	2.4L L4 F/I	33-2439 ♦+	PS-7000
Terrain	3.0L V6 F/I	33-2439 ♦+	HP-2011 ¹
Yukon	5.3L V8 F/I	33-2129 ♦	HP-1017 ¹
Yukon Denali	6.2L V8 F/I	33-2135 ♦	HP-1017 ¹
Yukon Denali Hybrid	6.0L V8 F/I	33-2135	HP-1017 ¹

* 2 filters required ♦ Intake System Available - see page 81 +Cabin Air Filter Available - see page 453 1- Pro Series Filter Available

AIR & OIL FILTERS

GMC

Vehicle	Engine Type	Air Filter	Oil Filter
2011 GMC			
Yukon Denali XL	6.2L V8 F/I	33-2135 ♦	HP-1017 ¹
Yukon Hybrid	6.0L V8 F/I	33-2135	
Yukon XL 1500	5.3L V8 F/I	33-2129 ♦	HP-1017 ¹
Yukon XL 1500	6.2L V8 F/I	33-2135 ♦	HP-1017 ¹
Yukon XL 2500	6.0L V8 F/I	33-2135	HP-1017 ¹

2010 GMC			
Acadia	3.6L V6 F/I	33-2394+	HP-1017 ¹
Canyon	2.9L L4 F/I	33-2408 ♦	HP-1007 ¹
Canyon	3.7L L5 F/I	33-2408 ♦	HP-2006 ¹
Canyon	5.3L V8 F/I	33-2408	HP-1017 ¹
Savana 1500	4.3L V6 F/I	E-1986	
Savana 1500	5.3L V8 F/I	E-1986	HP-1017 ¹
Savana 2500	6.0L V8 F/I	E-1986	
Savana 3500	6.0L V8 F/I	E-1986	HP-1017 ¹
Sierra 1500	4.3L V6 F/I	33-2129	HP-1001 ¹
Sierra 1500	4.8L V8 F/I	33-2129 ♦	HP-1017 ¹
Sierra 1500	5.3L V8 F/I	33-2129 ♦	HP-1017 ¹
Sierra 1500	6.2L V8 F/I	33-2135 ♦	HP-1017 ¹
Sierra 1500 Hybrid	6.0L V8 F/I	33-2135	HP-1017 ¹
Sierra 2500 HD	6.0L V8 F/I	33-2135 ♦	HP-1017 ¹
Sierra 2500 HD	6.6L V8 DSL	E-0781 ♦	HP-3003 ¹
Sierra 3500 HD	6.0L V8 F/I	33-2135 ♦	HP-1017 ¹
Sierra 3500 HD	6.6L V8 DSL	E-0781 ♦	HP-3003 ¹
Sierra Denali	6.2L V8 F/I	33-2135 ♦	HP-1017 ¹
Terrain	2.4L L4 F/I	33-2439 ♦+	PS-7000
Terrain	3.0L V6 F/I	33-2439 ♦+	HP-1017 ¹
Yukon	5.3L V8 F/I	33-2129 ♦	HP-1017 ¹
Yukon Denali	6.2L V8 F/I	33-2135 ♦	HP-1017 ¹
Yukon Denali Hybrid	6.0L V8 F/I	33-2135	HP-1017 ¹
Yukon Denali XL	6.2L V8 F/I	33-2135 ♦	HP-1017 ¹
Yukon Hybrid	6.0L V8 F/I	33-2135	
Yukon XL 1500	5.3L V8 F/I	33-2129 ♦	HP-1017 ¹
Yukon XL 1500	6.2L V8 F/I	33-2135 ♦	
Yukon XL 2500	6.0L V8 F/I	33-2135	HP-1017 ¹

2009 GMC			
Acadia	3.6L V6 F/I	33-2394+	HP-1017 ¹
Canyon	2.9L L4 F/I	33-2408 ♦	HP-1007 ¹
Canyon	3.7L L5 F/I	33-2408 ♦	HP-2006 ¹
Canyon	5.3L V8 F/I	33-2408	HP-1017 ¹
Envoy	4.2L L6 F/I	E-1009 ♦	HP-2006 ¹
Envoy	5.3L V8 F/I	E-1009	
Savana 1500	4.3L V6 F/I	E-1986	
Savana 1500	5.3L V8 F/I	E-1986	HP-1017 ¹
Savana 2500	4.8L V8 F/I	E-1986	
Sierra 1500	4.3L V6 F/I	33-2129	HP-1001 ¹
Sierra 1500	4.8L V8 F/I	33-2129 ♦	HP-1017 ¹
Sierra 1500	5.3L V8 F/I	33-2129 ♦	HP-1017 ¹
Sierra 1500	6.0L V8 F/I	33-2135 ♦	HP-1017 ¹
Sierra 1500	6.2L V8 F/I	33-2135 ♦	HP-1017 ¹
Sierra 1500 Hybrid	6.0L V8 F/I	33-2135	HP-1017 ¹
Sierra 2500 HD	6.0L V8 F/I	33-2135 ♦	HP-1017 ¹
Sierra 2500 HD	6.6L V8 DSL	E-0781 ♦	HP-3003 ¹
Sierra 3500 HD	6.0L V8 F/I	33-2135 ♦	HP-1017 ¹
Sierra 3500 HD	6.6L V8 DSL	E-0781 ♦	HP-3003 ¹
Sierra Denali	6.2L V8 F/I	33-2135 ♦	HP-1017 ¹
Yukon	5.3L V8 F/I	33-2129 ♦	HP-1017 ¹
Yukon Denali	6.2L V8 F/I	33-2135 ♦	HP-1017 ¹
Yukon Denali XL	6.2L V8 F/I	33-2135 ♦	HP-1017 ¹
Yukon Hybrid	6.0L V8 F/I	33-2135	HP-1017 ¹
Yukon XL 1500	5.3L V8 F/I	33-2129 ♦	HP-1017 ¹
Yukon XL 1500	6.0L V8 F/I	33-2135 ♦	
Yukon XL 1500	6.2L V8 F/I	33-2135 ♦	HP-1017 ¹
Yukon XL 2500	6.0L V8 F/I	33-2135	HP-1017 ¹

Vehicle	Engine Type	Air Filter	Oil Filter
2008 GMC			
Acadia	3.6L V6 F/I	33-2394+	HP-1017 ¹
Canyon	2.9L L4 F/I	33-2408 ♦	HP-1007 ¹
Canyon	3.7L L5 F/I	33-2408 ♦	HP-2006 ¹
Envoy	4.2L L6 F/I	E-1009 ♦	HP-2006 ¹
Envoy Denali	5.3L V8 F/I	E-1009	HP-1017 ¹
Savana 1500	4.3L V6 F/I	E-1986	
Savana 1500	5.3L V8 F/I	E-1986	HP-1017 ¹
Savana 2500	6.0L V8 F/I	E-1986	
Savana 3500	6.0L V8 F/I	E-1986	
Sierra 1500	4.3L V6 F/I	33-2129	HP-1001 ¹
Sierra 1500	4.8L V8 F/I	33-2129 ♦	HP-1017 ¹
Sierra 1500	5.3L V8 F/I	33-2129 ♦	HP-1017 ¹
Sierra 1500	6.0L V8 F/I	33-2135 ♦	HP-1017 ¹
Sierra 2500 HD	6.0L V8 F/I	33-2135 ♦	HP-1017 ¹
Sierra 2500 HD	6.6L V8 DSL	E-0781 ♦	HP-3003 ¹
Sierra 3500 HD	6.0L V8 F/I	33-2135 ♦	HP-1017 ¹
Sierra 3500 HD	6.6L V8 DSL	E-0781 ♦	HP-3003 ¹
Sierra Denali	6.2L V8 F/I	33-2135 ♦	HP-1017 ¹
Yukon	4.8L V8 F/I	33-2129 ♦	
Yukon	5.3L V8 F/I	33-2129 ♦	HP-1017 ¹
Yukon Denali	6.2L V8 F/I	33-2135 ♦	HP-1017 ¹
Yukon Hybrid	6.0L V8 F/I	33-2135	HP-1017 ¹
Yukon XL 1500	5.3L V8 F/I	33-2129 ♦	HP-1017 ¹
Yukon XL 1500	6.0L V8 F/I	33-2135 ♦	HP-1017 ¹
Yukon XL 1500	6.2L V8 F/I	33-2135 ♦	HP-1017 ¹
Denali			
Yukon XL 2500	6.0L V8 F/I	33-2135	HP-1017 ¹

2007 GMC			
Acadia	3.6L V6 F/I	33-2394+	HP-1017 ¹
Canyon	2.9L L4 F/I	E-0773 ♦	HP-1007 ¹
Canyon	3.7L L5 F/I	E-0773 ♦	HP-2006 ¹
Envoy	4.2L L6 F/I	E-1009 ♦	HP-2006 ¹
Envoy Denali	5.3L V8 F/I	E-1009	HP-1017 ¹
Savana 1500	4.3L V6 F/I	E-1008	
Savana 1500	5.3L V8 F/I	E-1008	HP-1017 ¹
Savana 2500	4.8L V8 F/I	E-1008	
Savana 3500	4.8L V8 F/I	E-1008	
Sierra	5.3L V8 F/I	33-2129	HP-1017 ¹
Sierra 1500	4.3L V6 F/I	33-2129	HP-1001 ¹
Sierra 1500	4.8L V8 F/I	33-2129 ♦	HP-1017 ¹
Sierra 1500	5.3L V8 F/I	33-2129 ♦	HP-1017 ¹
Sierra 1500	6.0L V8 F/I	33-2135 ♦	HP-1017 ¹
Sierra 1500 Classic	4.3L V6 F/I	33-2129 ♦	HP-1001 ¹
Sierra 1500 Classic	4.8L V8 F/I	33-2129 ♦	HP-1017 ¹
Sierra 1500 Classic	5.3L V8 F/I	33-2129 ♦	HP-1017 ¹
Sierra 1500 HD	6.0L V8 F/I	33-2135	HP-1017 ¹
Sierra 1500 HD	6.0L V8 F/I	33-2135 ♦	HP-1017 ¹
Sierra 1500 HD Classic			
Sierra 2500 HD	6.0L V8 F/I	33-2135 ♦	HP-1017 ¹
Sierra 2500 HD	6.6L V8 DSL	E-0781 ♦	HP-3003 ¹
Sierra 2500 HD	6.0L V8 F/I	33-2135 ♦	HP-1017 ¹
Sierra 2500 HD Classic			
Sierra 2500 HD	6.6L V8 DSL	E-0781 ♦	HP-3003 ¹
Sierra 2500 HD Classic			
Sierra 2500 HD	8.1L V8 F/I	33-2135 ♦	HP-1011 ¹
Sierra 3500 Classic	6.0L V8 F/I	33-2135 ♦	HP-1017 ¹
Sierra 3500 Classic	6.6L V8 DSL	E-0781 ♦	HP-3003 ¹
Sierra 3500 HD	6.0L V8 F/I	33-2135 ♦	HP-1017 ¹
Sierra 3500 HD	6.6L V8 DSL	E-0781 ♦	HP-3003 ¹
Sierra Denali	6.2L V8 F/I	33-2135 ♦	HP-1017 ¹
Sierra Denali Classic	6.0L V8 F/I	33-2135 ♦	HP-1017 ¹
Yukon	4.8L V8 F/I	33-2129 ♦	HP-1017 ¹

* 2 filters required ♦ Intake System Available - see page 81 +Cabin Air Filter Available - see page 453 1- Pro Series Filter Available

Vehicle	Engine Type	Air Filter	Oil Filter
2007 GMC			
Yukon	5.3L V8 F/I	33-2129 ♦	HP-1017 ¹
Yukon Denali	6.2L V8 F/I	33-2135 ♦	HP-1017 ¹
Yukon XL 1500	5.3L V8 F/I	33-2129 ♦	HP-1017 ¹
Yukon XL 1500	6.0L V8 F/I	33-2135 ♦	HP-1017 ¹
Yukon XL 1500 Denali	6.2L V8 F/I	33-2135 ♦	HP-1017 ¹
Yukon XL 2500	6.0L V8 F/I	33-2135 ♦	HP-1017 ¹

Vehicle	Engine Type	Air Filter	Oil Filter
2006 GMC			
Canyon	2.8L L4 F/I	E-0773 ♦	HP-1007 ¹
Canyon	3.5L L5 F/I	E-0773 ♦	HP-2006 ¹
Envoy	4.2L L6 F/I	E-1009 ♦	HP-2006 ¹
Envoy Denali	5.3L V8 F/I	E-1009	HP-1007 ¹
Savana 1500	4.3L V6 F/I	E-1008	
Savana 1500	5.3L V8 F/I	E-1008	HP-1007 ¹
Savana 2500	4.8L V8 F/I	E-1008	
Savana 2500	6.0L V8 F/I	E-1008	
Savana 3500	6.0L V8 F/I	E-1008	
Savana 3500	6.6L V8 DSL		HP-3003 ¹
Sierra 1500	4.3L V6 F/I	33-2129 ♦	HP-1001 ¹
Sierra 1500	4.8L V8 F/I	33-2129 ♦	HP-1007 ¹
Sierra 1500	5.3L V8 F/I	33-2129 ♦	HP-1007 ¹
Sierra 1500	6.0L V8 F/I	33-2135 ♦	HP-1007 ¹
Sierra 1500 HD	6.0L V8 F/I	33-2135 ♦	HP-1007 ¹
Sierra 2500 HD	6.0L V8 F/I	33-2135 ♦	HP-1007 ¹
Sierra 2500 HD	6.6L V8 DSL	E-0781 ♦	HP-3003 ¹
Sierra 2500 HD	8.1L V8 F/I	33-2135 ♦	HP-1011 ¹
Sierra 3500	6.6L V8 DSL	E-0781 ♦	HP-3003 ¹
Sierra Denali	6.0L V8 F/I	33-2135 ♦	HP-1007 ¹
Yukon	4.8L V8 F/I	33-2129 ♦	HP-1007 ¹
Yukon	5.3L V8 F/I	33-2129 ♦	HP-1007 ¹
Yukon Denali	6.0L V8 F/I	33-2135 ♦	HP-1007 ¹
Yukon Denali XL	6.0L V8 F/I	33-2135 ♦	HP-1007 ¹
Yukon XL 1500	5.3L V8 F/I	33-2129 ♦	HP-1007 ¹
Yukon XL 2500	6.0L V8 F/I	33-2135 ♦	HP-1007 ¹

Vehicle	Engine Type	Air Filter	Oil Filter
2005 GMC			
Canyon	2.8L L4 F/I	E-0773 ♦	HP-1007 ¹
Canyon	3.5L L5 F/I	E-0773 ♦	HP-2006 ¹
Envoy	4.2L L6 F/I	E-1009 ♦	HP-2006 ¹
Envoy	5.3L V8 F/I	E-1009	HP-1007 ¹
Jimmy	4.3L V6 F/I	33-2042	HP-2001 ¹
Safari	4.3L V6 F/I	33-2225	
Savana 1500	4.3L V6 F/I	E-1008	
Savana 1500	5.3L V8 F/I	E-1008	HP-1007 ¹
Savana 2500	4.8L V8 F/I	E-1008	
Savana 2500	6.0L V8 F/I	E-1008	
Savana 3500	6.0L V8 F/I	E-1008	HP-1007 ¹
Sierra 1500	4.3L V6 F/I	33-2129 ♦	HP-1001 ¹
Sierra 1500	4.8L V8 F/I	33-2129 ♦	HP-1007 ¹
Sierra 1500	5.3L V8 F/I	33-2129 ♦	HP-1007 ¹
Sierra 1500	6.0L V8 F/I	33-2135 ♦	HP-1007 ¹
Sierra 1500 HD	6.0L V8 F/I	33-2135 ♦	HP-1007 ¹
Sierra 2500 HD	6.0L V8 F/I	33-2135 ♦	HP-1007 ¹
Sierra 2500 HD	6.6L V8 DSL		HP-3003 ¹
Sierra 2500 HD	6.6L V8 DSL - w/Panel Filter	33-2135 ♦	HP-3003
Sierra 2500 HD	6.6L V8 DSL - w/Round Filter	E-0781 ♦	HP-3003
Sierra 2500 HD	8.1L V8 F/I	33-2135 ♦	HP-1011 ¹
Sierra 3500	6.0L V8 F/I	33-2135 ♦	HP-1007 ¹
Sierra 3500	6.6L V8 DSL		HP-3003 ¹
Sierra 3500	6.6L V8 DSL - w/Panel Filter	33-2135 ♦	HP-3003
Sierra 3500	6.6L V8 DSL - w/Round Filter	E-0781 ♦	HP-3003
Sierra 3500	8.1L V8 F/I	33-2135 ♦	

Vehicle	Engine Type	Air Filter	Oil Filter
2005 GMC			
Sierra Denali	6.0L V8 F/I	33-2135 ♦	HP-1007 ¹
Yukon	4.8L V8 F/I	33-2129 ♦	HP-1007 ¹
Yukon	5.3L V8 F/I	33-2129 ♦	HP-1007 ¹
Yukon Denali	6.0L V8 F/I	33-2135 ♦	HP-1007 ¹
Yukon Denali XL	6.0L V8 F/I	33-2135 ♦	HP-1007 ¹
Yukon XL 1500	5.3L V8 F/I	33-2129 ♦	HP-1007 ¹
Yukon XL 2500	6.0L V8 F/I	33-2135 ♦	HP-1007 ¹
Yukon XL 2500	8.1L V8 F/I	33-2135 ♦	HP-1011 ¹

Vehicle	Engine Type	Air Filter	Oil Filter
2004 GMC			
Canyon	2.8L L4 F/I	E-0773 ♦	HP-1007 ¹
Canyon	3.5L L5 F/I	E-0773 ♦	HP-2006 ¹
Envoy	4.2L L6 F/I	E-1009 ♦	HP-2006 ¹
Envoy	5.3L V8 F/I	E-1009 ♦	HP-1007 ¹
Jimmy	4.3L V6 F/I	33-2042	HP-2001 ¹
Safari	4.3L V6 F/I	33-2225	HP-1001 ¹
Savana 1500	4.3L V6 F/I	E-1008	
Savana 1500	5.3L V8 F/I	E-1008	HP-1007 ¹
Savana 2500	4.8L V8 F/I	E-1008	
Savana 2500	6.0L V8 F/I	E-1008	
Savana 3500	6.0L V8 F/I	E-1008	HP-1007 ¹
Sierra 1500	4.3L V6 F/I	33-2129 ♦	HP-1001 ¹
Sierra 1500	4.8L V8 F/I	33-2129 ♦	HP-1007 ¹
Sierra 1500	5.3L V8 F/I	33-2129 ♦	HP-1007 ¹
Sierra 2500	6.0L V8 F/I	33-2135 ♦	HP-1007 ¹
Sierra 2500 HD	6.0L V8 F/I	33-2135 ♦	HP-1007 ¹
Sierra 2500 HD	6.6L V8 DSL	33-2135 ♦	HP-3003 ¹
Sierra 2500 HD	8.1L V8 F/I	33-2135 ♦	HP-1011 ¹
Sierra 3500	6.0L V8 F/I	33-2135 ♦	HP-1007 ¹
Sierra 3500	6.6L V8 DSL	33-2135 ♦	HP-3003 ¹
Sierra 3500	8.1L V8 F/I	33-2135 ♦	
Sierra Denali	6.0L V8 F/I	33-2135 ♦	HP-1007 ¹
Sonoma	4.3L V6 F/I	33-2042 ♦	HP-2001 ¹
Yukon	4.8L V8 F/I	33-2129 ♦	HP-1007 ¹
Yukon	5.3L V8 F/I	33-2129 ♦	HP-1007 ¹
Yukon Denali	6.0L V8 F/I	33-2135 ♦	HP-1007 ¹
Yukon Denali XL	6.0L V8 F/I	33-2135 ♦	HP-1007 ¹
Yukon XL 1500	5.3L V8 F/I	33-2129 ♦	HP-1007 ¹
Yukon XL 2500	6.0L V8 F/I	33-2135 ♦	HP-1007 ¹

Vehicle	Engine Type	Air Filter	Oil Filter
2003 GMC			
Envoy	4.2L L6 F/I	E-1009 ♦	HP-2006 ¹
Envoy	5.3L V8 F/I	E-1009 ♦	HP-1007 ¹
Jimmy	4.3L V6 F/I	33-2042	
Jimmy	4.3L V6 F/I - 2WD	33-2042	HP-1001 ¹
Jimmy	4.3L V6 F/I - 4WD	33-2042	HP-2001 ¹
Safari	4.3L V6 F/I	33-2225	HP-1001 ¹
Savana 1500	4.3L V6 F/I	E-1008	
Savana 1500	5.3L V8 F/I	E-1008	HP-1007 ¹
Savana 2500	5.3L V8 F/I	E-1008	HP-1007 ¹
Savana 3500	6.0L V8 F/I	E-1008	HP-1007 ¹
Sierra 1500	4.3L V6 F/I	33-2129 ♦	HP-1001 ¹
Sierra 1500	4.8L V8 F/I	33-2129 ♦	HP-1007 ¹
Sierra 1500	5.3L V8 F/I	33-2129 ♦	HP-1007 ¹
Sierra 1500 HD	6.0L V8 F/I	33-2135 ♦	HP-1007 ¹
Sierra 2500	6.0L V8 F/I	33-2135 ♦	HP-1007 ¹
Sierra 2500 HD	6.0L V8 F/I	33-2135 ♦	HP-1007 ¹
Sierra 2500 HD	6.6L V8 DSL	33-2135 ♦	HP-3003 ¹
Sierra 2500 HD	8.1L V8 F/I	33-2135 ♦	HP-1011 ¹
Sierra 3500	6.0L V8 F/I	33-2135 ♦	HP-1007 ¹
Sierra 3500	6.6L V8 DSL	33-2135 ♦	HP-3003 ¹
Sierra 3500	8.1L V8 F/I	33-2135 ♦	HP-1011 ¹
Sierra Denali	6.0L V8 F/I	33-2135 ♦	HP-1007 ¹

* 2 filters required ♦ Intake System Available - see page 81 +Cabin Air Filter Available - see page 453 1- Pro Series Filter Available

AIR & OIL FILTERS

GMC

Vehicle	Engine Type	Air Filter	Oil Filter
2003 GMC			
Sonoma	2.2L L4 F/I	33-2042 ♦	HP-1001 ¹
Sonoma	4.3L V6 F/I	33-2042 ♦	
Sonoma	4.3L V6 F/I - 2WD	33-2042	HP-1001 ¹
Sonoma	4.3L V6 F/I - 4WD	33-2042	HP-2001 ¹
Yukon	4.8L V8 F/I	33-2129 ♦	HP-1007 ¹
Yukon	5.3L V8 F/I	33-2129 ♦	HP-1007 ¹
Yukon Denali	6.0L V8 F/I	33-2135 ♦	HP-1007 ¹
Yukon Denali XL	6.0L V8 F/I	33-2135 ♦	HP-1007 ¹
Yukon XL 1500	5.3L V8 F/I	33-2129 ♦	HP-1007 ¹
Yukon XL 2500	6.0L V8 F/I	33-2135 ♦	HP-1007 ¹
Yukon XL 2500	8.1L V8 F/I	33-2135 ♦	HP-1011 ¹

Vehicle	Engine Type	Air Filter	Oil Filter
2002 GMC			
Envoy	4.2L L6 F/I	E-1009 ♦	HP-2006 ¹
Jimmy	4.3L V6 F/I	33-2042	
Jimmy	4.3L V6 F/I - 2WD	33-2042	HP-1001 ¹
Jimmy	4.3L V6 F/I - 4WD	33-2042	HP-2001 ¹
Safari	4.3L V6 F/I	33-2225	HP-1001 ¹
Savana 1500	4.3L V6 F/I	E-1008	
Savana 1500	5.7L V8 F/I	E-1008	
Savana 3500	5.7L V8 F/I	E-1008	
Sierra 1500	4.3L V6 F/I	33-2129 ♦♦	HP-1001 ¹
Sierra 1500	4.8L V8 F/I	33-2129 ♦♦	HP-2006 ¹
Sierra 1500	5.3L V8 F/I	33-2129 ♦♦	HP-2006 ¹
Sierra 1500 HD	6.0L V8 F/I	33-2135 ♦♦	HP-2006 ¹
Sierra 2500	6.0L V8 F/I	33-2135 ♦♦	HP-2006 ¹
Sierra 2500 HD	6.0L V8 F/I	33-2135 ♦♦	HP-2006 ¹
Sierra 2500 HD	6.6L V8 DSL	33-2135 ♦♦	HP-3003 ¹
Sierra 2500 HD	8.1L V8 F/I	33-2135 ♦♦	HP-1011 ¹
Sierra 3500	6.6L V8 DSL	33-2135 ♦♦	HP-3003 ¹
Sierra 3500	8.1L V8 F/I	33-2135 ♦♦	
Sierra Denali	6.0L V8 F/I	33-2135 ♦	HP-2006 ¹
Sonoma	2.2L L4 F/I	33-2042 ♦	HP-1001 ¹
Sonoma	4.3L V6 F/I	33-2042 ♦	HP-1001 ¹
Yukon	4.8L V8 F/I	33-2129 ♦♦	HP-2006 ¹
Yukon	5.3L V8 F/I	33-2129 ♦♦	HP-2006 ¹
Yukon Denali	6.0L V8 F/I	33-2135 ♦♦	HP-2006 ¹
Yukon Denali XL	6.0L V8 F/I	33-2135 ♦♦	HP-2006 ¹
Yukon XL 1500	5.3L V8 F/I	33-2129 ♦♦	HP-2006 ¹
Yukon XL 2500	6.0L V8 F/I	33-2135 ♦♦	HP-2006 ¹
Yukon XL 2500	8.1L V8 F/I	33-2135 ♦♦	HP-1011 ¹

Vehicle	Engine Type	Air Filter	Oil Filter
2001 GMC			
Jimmy	4.3L V6 F/I	33-2042 ♦	
Jimmy	4.3L V6 F/I - 2WD	33-2042	HP-1001 ¹
Jimmy	4.3L V6 F/I - 4WD	33-2042	HP-2001 ¹
Safari	4.3L V6 F/I	33-2225	HP-1001 ¹
Savana 1500	4.3L V6 F/I	E-1008	
Savana 1500	5.0L V8 F/I	E-1008	
Savana 1500	5.7L V8 F/I	E-1008	HP-3002 ¹
Savana 3500	5.7L V8 F/I	E-1008	
Sierra 1500	4.3L V6 F/I	33-2129 ♦♦	HP-1001 ¹
Sierra 1500	4.8L V8 F/I	33-2129 ♦♦	HP-2006 ¹
Sierra 1500	5.3L V8 F/I	33-2129 ♦♦	HP-2006 ¹
Sierra 1500 HD	6.0L V8 F/I	33-2135 ♦♦	HP-2006 ¹
Sierra 2500	6.0L V8 F/I	33-2135 ♦♦	HP-2006 ¹
Sierra 2500 HD	6.0L V8 F/I	33-2135 ♦♦	HP-2006 ¹
Sierra 2500 HD	6.6L V8 DSL	33-2135 ♦♦	HP-3003 ¹
Sierra 2500 HD	8.1L V8 F/I	33-2135 ♦♦	HP-1011 ¹
Sierra 3500	6.0L V8 F/I	33-2135 ♦♦	HP-2006 ¹
Sierra 3500	6.6L V8 DSL	33-2135 ♦♦	HP-3003 ¹
Sierra 3500	8.1L V8 F/I	33-2135 ♦♦	HP-1011 ¹
Sierra C3	6.0L V8 F/I	33-2135 ♦♦	HP-2006 ¹
Sonoma	2.2L L4 F/I	33-2042 ♦	HP-1001 ¹
Sonoma	4.3L V6 F/I	33-2042 ♦	

Vehicle	Engine Type	Air Filter	Oil Filter
2001 GMC			
Sonoma	4.3L V6 F/I - 2WD	33-2042	HP-1001 ¹
Sonoma	4.3L V6 F/I - 4WD	33-2042	HP-2001 ¹
Yukon	4.8L V8 F/I	33-2129 ♦♦	HP-2006 ¹
Yukon	5.3L V8 F/I	33-2129 ♦♦	HP-2006 ¹
Yukon Denali	6.0L V8 F/I	33-2135 ♦♦	HP-2006 ¹
Yukon Denali XL	6.0L V8 F/I	33-2135 ♦♦	HP-2006 ¹
Yukon XL 1500	5.3L V8 F/I	33-2129 ♦♦	HP-2006 ¹
Yukon XL 2500	6.0L V8 F/I	33-2135 ♦♦	HP-2006 ¹
Yukon XL 2500	8.1L V8 F/I	33-2135 ♦♦	HP-1011 ¹

Vehicle	Engine Type	Air Filter	Oil Filter
2000 GMC			
C2500	5.7L V8 F/I	E-1796 ♦	HP-3002 ¹
C2500	7.4L V8 F/I	E-1796 ♦	
C3500	6.5L V8 DSL	E-1796	HP-3002 ¹
C3500	7.4L V8 F/I	E-1796 ♦	HP-3002 ¹
Jimmy	4.3L V6 F/I	33-2042 ♦	HP-1001 ¹
K2500	5.7L V8 F/I	E-1796 ♦	HP-2001 ¹
K2500	7.4L V8 F/I	E-1796 ♦	HP-1011 ¹
K3500	5.7L V8 F/I	E-1796 ♦	
K3500	6.5L V8 DSL	E-1796	HP-3002 ¹
K3500	7.4L V8 F/I	E-1796 ♦	HP-1011 ¹
Safari	4.3L V6 F/I	33-2225	HP-1001 ¹
Savana 1500	5.7L V8 F/I	33-2111	HP-3002 ¹
Sierra 1500	4.3L V6 F/I	33-2129 ♦♦	HP-1001 ¹
Sierra 1500	4.8L V8 F/I	33-2129 ♦♦	HP-2006 ¹
Sierra 1500	5.3L V8 F/I	33-2129 ♦♦	HP-2006 ¹
Sierra 2500	5.3L V8 F/I	33-2129 ♦♦	HP-2006 ¹
Sierra 2500	6.0L V8 F/I	33-2135 ♦♦	HP-2006 ¹
Sierra 2500	2.2L L4 F/I	33-2042 ♦	HP-1001 ¹
Sonoma	4.3L V6 F/I	33-2042 ♦	HP-1001 ¹
Yukon	4.8L V8 F/I	33-2129 ♦♦	HP-2006 ¹
Yukon	5.3L V8 F/I	33-2129 ♦♦	HP-2006 ¹
Yukon Denali	5.7L V8 F/I	E-1796 ♦	HP-2001 ¹
Yukon XL 1500	5.3L V8 F/I	33-2129 ♦♦	HP-2006 ¹
Yukon XL 2500	6.0L V8 F/I	33-2135 ♦♦	HP-2006 ¹

Vehicle	Engine Type	Air Filter	Oil Filter
1999 GMC			
C1500	5.0L V8 F/I	E-1796 ♦	HP-3002 ¹
C1500	5.7L V8 F/I	E-1796 ♦	HP-3002 ¹
C1500 Suburban	5.7L V8 F/I	E-1796 ♦	HP-3002 ¹
C2500	5.7L V8 F/I	E-1796 ♦	HP-3002 ¹
C2500	7.4L V8 F/I	E-1796 ♦	
C2500 Suburban	5.7L V8 F/I	E-1796 ♦	HP-3002 ¹
C2500 Suburban	7.4L V8 F/I	E-1796 ♦	HP-3002 ¹
Jimmy	4.3L V6 F/I	33-2042 ♦	HP-2001 ¹
K1500	5.0L V8 F/I	E-1796 ♦	
K1500	5.7L V8 F/I	E-1796 ♦	HP-2001 ¹
K1500 Suburban	5.7L V8 F/I	E-1796 ♦	HP-2001 ¹
K2500	5.7L V8 F/I	E-1796 ♦	HP-2001 ¹
K2500	7.4L V8 F/I	E-1796 ♦	HP-1011 ¹
K2500 Suburban	5.7L V8 F/I	E-1796 ♦	HP-2001 ¹
K2500 Suburban	6.5L V8 DSL	E-1796	HP-3002 ¹
K2500 Suburban	7.4L V8 F/I	E-1796 ♦	HP-1011 ¹
K3500	6.5L V8 DSL	E-1796	HP-3002 ¹
K3500	7.4L V8 F/I	E-1796 ♦	HP-1011 ¹
Safari	4.3L V6 F/I	33-2225	HP-2001 ¹
Sierra 1500	4.3L V6 F/I	33-2129 ♦♦	HP-2001 ¹
Sierra 1500	4.8L V8 F/I	33-2129 ♦♦	HP-2006 ¹
Sierra 1500	5.3L V8 F/I	33-2129 ♦♦	HP-2006 ¹
Sierra 2500	5.3L V8 F/I	33-2129 ♦♦	HP-2006 ¹
Sierra 2500	6.0L V8 F/I	33-2135 ♦♦	HP-2006 ¹
Sonoma	2.2L L4 F/I	33-2042 ♦	HP-1001 ¹
Sonoma	4.3L V6 F/I	33-2042 ♦	HP-2001 ¹
Yukon	5.7L V8 F/I	E-1796 ♦	
Yukon	5.7L V8 F/I - 2WD	E-1796	HP-3002 ¹

* 2 filters required ♦ Intake System Available - see page 81 +Cabin Air Filter Available - see page 453 1- Pro Series Filter Available

GMC

AIR & OIL FILTERS

Vehicle	Engine Type	Air Filter	Oil Filter
1999 GMC			
Yukon	5.7L V8 F/I - 4WD	E-1796	HP-2001 ¹
Yukon Denali	5.7L V8 F/I	E-1796 ♦	HP-2001 ¹
Yukon Denali	6.5L V8 DSL	E-1796	HP-3002 ¹
1998 GMC			
C1500	4.3L V6 F/I	E-1796 ♦	HP-2001 ¹
C1500	5.0L V8 F/I	E-1796 ♦	HP-3002 ¹
C1500	5.7L V8 F/I	E-1796 ♦	HP-3002 ¹
C1500 Suburban	5.7L V8 F/I	E-1796 ♦	HP-3002 ¹
C2500	5.7L V8 F/I	E-1796 ♦	HP-3002 ¹
C2500	6.5L V8 DSL	E-1796	HP-3002 ¹
C2500	7.4L V8 F/I	E-1796 ♦	HP-3002 ¹
C2500 Suburban	5.7L V8 F/I	E-1796 ♦	HP-3002 ¹
C2500 Suburban	6.5L V8 DSL	E-1796	HP-3002 ¹
C2500 Suburban	7.4L V8 F/I	E-1796 ♦	HP-3002 ¹
C3500	7.4L V8 F/I	E-1796 ♦	HP-3002 ¹
Jimmy	4.3L V6 F/I	33-2042 ♦	HP-2001 ¹
K1500	4.3L V6 F/I	E-1796	HP-2001 ¹
K1500	5.0L V8 F/I	E-1796 ♦	HP-2001 ¹
K1500	5.7L V8 F/I	E-1796 ♦	HP-2001 ¹
K1500	6.5L V8 DSL	E-1796	HP-3002 ¹
K1500 Suburban	5.7L V8 F/I	E-1796 ♦	HP-2001 ¹
K1500 Suburban	6.5L V8 DSL	E-1796	HP-3002 ¹
K2500	5.7L V8 F/I	E-1796 ♦	HP-2001 ¹
K2500	6.5L V8 DSL	E-1796	HP-3002 ¹
K2500	7.4L V8 F/I	E-1796 ♦	HP-3002 ¹
K2500 Suburban	5.7L V8 F/I	E-1796 ♦	HP-2001 ¹
K2500 Suburban	6.5L V8 DSL	E-1796	HP-3002 ¹
K2500 Suburban	7.4L V8 F/I	E-1796 ♦	HP-3002 ¹
K3500	6.5L V8 DSL	E-1796	HP-3002 ¹
K3500	7.4L V8 F/I	E-1796 ♦	HP-3002 ¹
Safari	4.3L V6 F/I	33-2225	HP-2001 ¹
Sonoma	2.2L L4 F/I	33-2042 ♦	HP-1001 ¹
Sonoma	4.3L V6 F/I	33-2042 ♦	HP-2001 ¹
Yukon	5.7L V8 F/I	E-1796 ♦	
Yukon	5.7L V8 F/I - 2WD	E-1796	HP-3002 ¹
Yukon	5.7L V8 F/I - 4WD	E-1796	HP-2001 ¹

Vehicle	Engine Type	Air Filter	Oil Filter
1997 GMC			
C1500	4.3L V6 F/I	E-1796 ♦	HP-2001 ¹
C1500	5.0L V8 F/I	E-1796 ♦	HP-3002 ¹
C1500	5.7L V8 F/I	E-1796 ♦	HP-3002 ¹
C1500 Suburban	5.7L V8 F/I	E-1796 ♦	HP-3002 ¹
C2500	5.7L V8 F/I	E-1796 ♦	HP-3002 ¹
C2500	7.4L V8 F/I	E-1796 ♦	
C2500 Suburban	5.7L V8 F/I	E-1796 ♦	HP-3002 ¹
C2500 Suburban	7.4L V8 F/I	E-1796 ♦	HP-3002 ¹
C3500	6.5L V8 DSL	E-1796	
C3500	7.4L V8 F/I	E-1796 ♦	HP-3002 ¹
Jimmy	4.3L V6 F/I		HP-2001 ¹
K1500	4.3L V6 F/I	E-1796 ♦	HP-2001 ¹
K1500	5.0L V8 F/I	E-1796 ♦	HP-2001 ¹
K1500	5.7L V8 F/I	E-1796 ♦	HP-2001 ¹
K1500	6.5L V8 DSL	E-1796	
K1500 Suburban	5.7L V8 F/I	E-1796 ♦	HP-2001 ¹
K1500 Suburban	6.5L V8 DSL	E-1796	HP-3002 ¹
K2500	5.7L V8 F/I	E-1796 ♦	HP-2001 ¹
K2500	6.5L V8 DSL	E-1796	
K2500	7.4L V8 F/I	E-1796 ♦	HP-3002 ¹
K2500 Suburban	5.7L V8 F/I	E-1796 ♦	HP-2001 ¹
K2500 Suburban	6.5L V8 DSL	E-1796	HP-3002 ¹
K2500 Suburban	7.4L V8 F/I	E-1796 ♦	HP-3002 ¹
K3500	5.7L V8 F/I	E-1796 ♦	
K3500	6.5L V8 DSL	E-1796	
K3500	7.4L V8 F/I	E-1796 ♦	HP-3002 ¹

Vehicle	Engine Type	Air Filter	Oil Filter
1997 GMC			
Safari	4.3L V6 F/I	33-2225	HP-2001 ¹
Savana 1500	5.7L V8 F/I	33-2111	HP-3002 ¹
Sonoma	2.2L L4 F/I	33-2042 ♦	HP-1001 ¹
Sonoma	4.3L V6 F/I	33-2042 ♦	HP-2001 ¹
Yukon	5.7L V8 F/I	E-1796 ♦	
Yukon	5.7L V8 F/I - 2WD	E-1796	HP-3002 ¹
Yukon	5.7L V8 F/I - 4WD	E-1796	HP-2001 ¹
1996 GMC			
C1500	4.3L V6 F/I	E-1796 ♦	HP-2001 ¹
C1500	5.0L V8 F/I	E-1796 ♦	HP-3002 ¹
C1500	5.7L V8 F/I	E-1796 ♦	HP-3002 ¹
C1500 Suburban	5.7L V8 F/I	E-1796 ♦	HP-3002 ¹
C1500 Suburban	6.5L V8 DSL	33-2062-1	
C2500	5.7L V8 F/I	E-1796 ♦	HP-3002 ¹
C2500 Suburban	5.7L V8 F/I	E-1796 ♦	HP-3002 ¹
C2500 Suburban	7.4L V8 F/I	E-1796 ♦	HP-3002 ¹
Jimmy	4.3L V6 F/I	33-2042 ♦	HP-2001 ¹
K1500	4.3L V6 F/I	E-1796 ♦	HP-2001 ¹
K1500	5.0L V8 F/I	E-1796 ♦	HP-2001 ¹
K1500	5.7L V8 F/I	E-1796 ♦	HP-2001 ¹
K1500 Suburban	5.7L V8 F/I	E-1796 ♦	HP-2001 ¹
K2500	5.7L V8 F/I	E-1796 ♦	HP-2001 ¹
K2500	6.5L V8 DSL	33-2062-1	HP-3002 ¹
K2500	7.4L V8 F/I	E-1796 ♦	HP-3002 ¹
K2500 Suburban	5.7L V8 F/I	E-1796 ♦	HP-2001 ¹
K2500 Suburban	6.5L V8 DSL	33-2062-1	HP-3002 ¹
K2500 Suburban	7.4L V8 F/I	E-1796 ♦	HP-3002 ¹
K2500 Suburban	6.5L V8 DSL	33-2062-1	HP-3002 ¹
K3500	6.5L V8 DSL	33-2062-1	HP-3002 ¹
K3500	7.4L V8 F/I	E-1796 ♦	HP-3002 ¹
Safari	4.3L V6 F/I	33-2225	
Sonoma	2.2L L4 F/I	33-2042 ♦	HP-1001 ¹
Sonoma	4.3L V6 F/I	33-2042 ♦	HP-2001 ¹
Yukon	5.7L V8 F/I	E-1796 ♦	
Yukon	5.7L V8 F/I - 2WD	E-1796	HP-3002 ¹
Yukon	5.7L V8 F/I - 4WD	E-1796	HP-2001 ¹

Vehicle	Engine Type	Air Filter	Oil Filter
1995 GMC			
C1500	4.3L V6 F/I	E-1150	HP-2001 ¹
C1500	5.0L V8 F/I	E-1500 ♦	HP-3002 ¹
C1500	5.7L V8 F/I	E-1500 ♦	HP-3002 ¹
C1500 Suburban	5.7L V8 F/I	E-1500 ♦	HP-3002 ¹
C1500 Suburban	6.5L V8 DSL	33-2062-1	HP-3002 ¹
C2500	5.7L V8 F/I	E-1500 ♦	HP-3002 ¹
C2500	6.5L V8 DSL	33-2062-1	HP-3002 ¹
C2500 Suburban	5.7L V8 F/I	E-1500 ♦	HP-3002 ¹
C2500 Suburban	6.5L V8 DSL	33-2062-1	HP-3002 ¹
C2500 Suburban	7.4L V8 F/I	E-1500 ♦	HP-3002 ¹
C2500 Suburban	6.5L V8 DSL	33-2062-1	HP-3002 ¹
C3500	6.5L V8 DSL	33-2062-1	HP-3002 ¹
Jimmy	4.3L V6 F/I	33-2042 ♦	HP-2001 ¹
K1500	5.0L V8 F/I	E-1500 ♦	HP-2001 ¹
K1500	5.7L V8 F/I	E-1500 ♦	HP-2001 ¹
K1500 Suburban	5.7L V8 F/I	E-1500 ♦	HP-2001 ¹
K2500	5.7L V8 F/I	E-1500 ♦	HP-2001 ¹
K2500	6.5L V8 DSL	33-2062-1	HP-3002 ¹
K2500	7.4L V8 F/I	E-1500 ♦	HP-3002 ¹
K2500 Suburban	5.7L V8 F/I	E-1500 ♦	HP-2001 ¹
K2500 Suburban	6.5L V8 DSL	33-2062-1	HP-3002 ¹
K2500 Suburban	7.4L V8 F/I	E-1500 ♦	HP-3002 ¹
Safari	4.3L V6 F/I	33-2042	HP-2001 ¹
Sonoma	2.2L L4 F/I	33-2042 ♦	HP-1001 ¹
Sonoma	4.3L V6 CPI	33-2042 ♦	HP-2001 ¹
Sonoma	4.3L V6 TBI	E-1065 ♦	HP-2001 ¹
Yukon	5.7L V8 F/I	E-1500 ♦	
Yukon	5.7L V8 F/I - 2WD	E-1500	HP-3002 ¹

* 2 filters required ♦ Intake System Available - see page 81 +Cabin Air Filter Available - see page 453 1- Pro Series Filter Available

AIR & OIL FILTERS

GMC

Vehicle	Engine Type	Air Filter	Oil Filter
1995 GMC			
Yukon	5.7L V8 F/I - 4WD	E-1500	HP-2001 ¹
1994 GMC			
C1500	4.3L V6 F/I	E-1150	HP-2001 ¹
C1500	5.0L V8 F/I	E-1500 ♦	HP-3002 ¹
C1500	5.7L V8 F/I	E-1500 ♦	HP-3002 ¹
C1500 Suburban	5.7L V8 F/I	E-1500 ♦	HP-3002 ¹
C2500	5.7L V8 F/I	E-1500 ♦	HP-3002 ¹
C2500 Suburban	5.7L V8 F/I	E-1500 ♦	HP-3002 ¹
C2500 Suburban	7.4L V8 F/I	E-1500 ♦	HP-3002 ¹
G2500	5.7L V8 F/I		HP-3002 ¹
Jimmy	4.3L V6 CPI	33-2042	HP-2001 ¹
Jimmy	4.3L V6 TBI	E-1065 ♦	HP-2001 ¹
K1500	4.3L V6 F/I	E-1150	HP-2001 ¹
K1500	5.0L V8 F/I	E-1500 ♦	HP-2001 ¹
K1500	5.7L V8 F/I	E-1500 ♦	HP-2001 ¹
K1500	6.5L V8 DSL - Exc. Turbo	E-1690	HP-3002 ¹
K1500	6.5L V8 DSL - Turbo	33-2062-1	HP-3002 ¹
K1500 Suburban	5.7L V8 F/I	E-1500 ♦	HP-2001 ¹
K2500	5.7L V8 F/I	E-1500 ♦	HP-2001 ¹
K2500 Suburban	5.7L V8 F/I	E-1500 ♦	HP-2001 ¹
K2500 Suburban	6.5L V8 DSL	33-2062-1	HP-3002 ¹
K2500 Suburban	7.4L V8 F/I	E-1500 ♦	HP-3002 ¹
K3500	6.5L V8 DSL	33-2062-1	HP-3002 ¹
Safari	4.3L V6 CPI	33-2042	
Safari	4.3L V6 TBI	E-1065	
Sonoma	2.2L L4 F/I	33-2042 ♦	HP-1001 ¹
Sonoma	4.3L V6 CPI	33-2042 ♦	HP-2001 ¹
Sonoma	4.3L V6 TBI	E-1065 ♦	HP-2001 ¹
Yukon	5.7L V8 F/I	E-1500 ♦	
Yukon	5.7L V8 F/I - 2WD	E-1500	HP-3002 ¹
Yukon	5.7L V8 F/I - 4WD	E-1500	HP-2001 ¹
1993 GMC			
C1500	4.3L V6 F/I	E-1150	HP-2001 ¹
C1500	5.0L V8 F/I	E-1500 ♦	HP-3002 ¹
C1500	5.7L V8 F/I	E-1500 ♦	HP-3002 ¹
C1500 Suburban	5.7L V8 F/I	E-1500 ♦	HP-3002 ¹
C2500	5.7L V8 F/I	E-1500 ♦	HP-3002 ¹
C2500 Suburban	5.7L V8 F/I	E-1500 ♦	HP-3002 ¹
C3500	7.4L V8 F/I	E-1500 ♦	HP-3002 ¹
Jimmy	4.3L V6 CPI	33-2042	HP-2001 ¹
Jimmy	4.3L V6 TBI	E-1065 ♦	HP-2001 ¹
K1500	4.3L V6 F/I	E-1150	HP-2001 ¹
K1500	5.0L V8 F/I	E-1500 ♦	HP-2001 ¹
K1500	5.7L V8 F/I	E-1500 ♦	HP-2001 ¹
K1500 Suburban	5.7L V8 F/I	E-1500 ♦	HP-2001 ¹
K2500	5.7L V8 F/I	E-1500 ♦	HP-2001 ¹
K2500	6.5L V8 DSL	33-2062-1	HP-3002 ¹
K2500 Suburban	5.7L V8 F/I	E-1500 ♦	HP-3002 ¹
K2500 Suburban	7.4L V8 F/I	E-1500 ♦	HP-3002 ¹
K3500	7.4L V8 F/I	E-1500 ♦	HP-3002 ¹
Sonoma	4.3L V6 CPI	33-2042	HP-2001 ¹
Sonoma	4.3L V6 TBI	E-1065 ♦	HP-2001 ¹
Typhoon	4.3L V6 F/I	33-2042	HP-2001 ¹
Yukon	5.7L V8 F/I	E-1500 ♦	
Yukon	5.7L V8 F/I - 2WD	E-1500	HP-3002 ¹
Yukon	5.7L V8 F/I - 4WD	E-1500	HP-2001 ¹
1992 GMC			
C1500	4.3L V6 F/I	E-1150	HP-2001 ¹
C1500	5.0L V8 F/I	E-1500 ♦	HP-3002 ¹
C1500	5.7L V8 F/I	E-1500 ♦	HP-3002 ¹
C1500 Suburban	5.7L V8 F/I	E-1500 ♦	HP-3002 ¹
Jimmy	4.3L V6 CPI	33-2042	HP-2001 ¹

Vehicle	Engine Type	Air Filter	Oil Filter
1992 GMC			
Jimmy	4.3L V6 TBI	E-1065 ♦	HP-2001 ¹
K1500	4.3L V6 F/I	E-1150	HP-2001 ¹
K1500	5.7L V8 F/I	E-1500 ♦	HP-2001 ¹
K1500 Suburban	5.7L V8 F/I	E-1500 ♦	HP-2001 ¹
K2500	5.7L V8 F/I	E-1500 ♦	HP-2001 ¹
K2500 Suburban	5.7L V8 F/I	E-1500 ♦	HP-2001 ¹
Sonoma	2.8L V6 F/I	E-1065	HP-2001 ¹
Sonoma	4.3L V6 CPI	33-2042	HP-2001 ¹
Sonoma	4.3L V6 TBI	E-1065 ♦	HP-2001 ¹
Typhoon	4.3L V6 F/I	33-2042	HP-2001 ¹
Yukon	5.7L V8 F/I	E-1500 ♦	
Yukon	5.7L V8 F/I - 2WD	E-1500	HP-3002 ¹
Yukon	5.7L V8 F/I - 4WD	E-1500	HP-2001 ¹
1991 GMC			
C1500	4.3L V6 F/I	E-1150	HP-2001 ¹
C1500	5.0L V8 F/I	E-1500 ♦	HP-3002 ¹
C1500	5.7L V8 F/I	E-1500 ♦	HP-3002 ¹
Jimmy	5.7L V8 F/I	E-1500 ♦	HP-3002 ¹
K1500	5.7L V8 F/I	E-1500 ♦	HP-2001 ¹
K2500	5.7L V8 F/I	E-1500 ♦	HP-2001 ¹
R1500 Suburban	5.7L V8 F/I	E-1500 ♦	HP-3002 ¹
S15 Jimmy	4.3L V6 F/I	E-1065 ♦	
Sonoma	4.3L V6 F/I	E-1065 ♦	HP-2001 ¹
Syclone	4.3L V6 F/I	33-2042	HP-2001 ¹
V1500 Suburban	5.7L V8 F/I		HP-3002 ¹
1990 GMC			
C1500	4.3L V6 F/I	E-1150	HP-2001 ¹
C1500	5.0L V8 F/I	E-1500 ♦	HP-3002 ¹
C1500	5.7L V8 F/I	E-1500 ♦	HP-3002 ¹
C2500	5.7L V8 F/I	E-1500 ♦	HP-3002 ¹
Jimmy	5.7L V8 F/I	E-1500 ♦	HP-3002 ¹
K1500	4.3L V6 F/I	E-1150	HP-2001 ¹
K1500	5.7L V8 F/I	E-1500 ♦	HP-2001 ¹
K2500	5.7L V8 F/I	E-1500 ♦	HP-2001 ¹
R1500 Suburban	5.7L V8 F/I	E-1500 ♦	HP-3002 ¹
S15 Pickup	4.3L V6 TBI	E-1065 ♦	HP-2001 ¹
1989 GMC			
C1500	5.0L V8 F/I	E-1500 ♦	HP-3002 ¹
C1500	5.7L V8 F/I	E-1500 ♦	HP-3002 ¹
C3500	7.4L V8 F/I		HP-3002 ¹
Jimmy	5.7L V8 F/I	E-1500 ♦	HP-2001 ¹
K1500	5.7L V8 F/I	E-1500 ♦	HP-2001 ¹
K2500	5.7L V8 F/I	E-1500 ♦	HP-3002 ¹
S15 Jimmy	4.3L V6 TBI	E-1065 ♦	
S15 Pickup	4.3L V6 TBI	E-1065 ♦	HP-2001 ¹
1988 GMC			
C1500	5.0L V8 F/I	E-1500 ♦	HP-3002 ¹
C1500	5.7L V8 F/I	E-1500 ♦	HP-3002 ¹
Jimmy	5.7L V8 F/I	E-1500 ♦	HP-2001 ¹
K1500	5.7L V8 F/I	E-1500 ♦	HP-2001 ¹
K2500	5.7L V8 F/I	E-1500 ♦	
S15 Pickup	4.3L V6 F/I	E-1065 ♦	HP-2001 ¹
1987 GMC			
Jimmy	5.7L V8 F/I	E-1500	HP-3002 ¹
R1500	5.0L V8 F/I	E-1500	HP-3002 ¹
R1500	5.7L V8 F/I	E-1500	HP-3002 ¹
R1500 Suburban	5.0L V8 F/I	E-1500	HP-3002 ¹
R1500 Suburban	5.7L V8 F/I	E-1500	HP-3002 ¹
R2500	5.7L V8 F/I	E-1500	HP-3002 ¹
R2500 Suburban	5.7L V8 F/I	E-1500	HP-3002 ¹
V1500	5.7L V8 F/I	E-1500	HP-3002 ¹

* 2 filters required ♦ Intake System Available - see page 81 +Cabin Air Filter Available - see page 453 1- Pro Series Filter Available

Partial Listing - Complete List of Vehicles and Applications at knfilters.com

GMC

AIR & OIL FILTERS

Vehicle	Engine Type	Air Filter	Oil Filter
1987 GMC			
V1500 Suburban	5.7L V8 F/I	E-1500	HP-3002 ¹
1986 GMC			
C1500	5.0L V8 CARB		HP-3002 ¹
C1500	5.0L V8 CARB - w/3-7/16 inch Tall Filter	E-1500	HP-3002
C1500	5.0L V8 CARB - w/5-1/2 inch Tall Filter	E-1420	HP-3002
C1500	5.7L V8 CARB	E-1420	HP-3002 ¹
C1500 Suburban	5.0L V8 CARB	E-1420	HP-3002 ¹
C1500 Suburban	5.7L V8 CARB	E-1420	HP-3002 ¹
K1500	5.0L V8 CARB		HP-3002 ¹
K1500	5.0L V8 CARB - w/3-7/16 inch Tall Filter	E-1500	HP-3002
K1500	5.7L V8 CARB	E-1420	HP-3002 ¹
K1500 Suburban	5.7L V8 CARB	E-1420	HP-3002 ¹
K2500	5.7L V8 CARB		HP-3002 ¹
K2500 Suburban	5.7L V8 CARB		HP-3002 ¹
1985 GMC			
C1500	5.0L V8 CARB		HP-3002 ¹
C1500	5.0L V8 CARB - w/3-7/16 inch Tall Filter	E-1500	HP-3002
C1500	5.0L V8 CARB - w/5-1/2 inch Tall Filter	E-1420	HP-3002
C1500	5.7L V8 CARB		HP-3002 ¹
C1500	5.7L V8 CARB - w/3-7/16 inch Tall Filter	E-1500	HP-3002
C1500	5.7L V8 CARB - w/5-1/2 inch Tall Filter	E-1420	HP-3002
C1500 Suburban	5.0L V8 CARB	E-1420	HP-3002 ¹
C1500 Suburban	5.7L V8 CARB	E-1420	HP-3002 ¹
K1500	5.7L V8 CARB		HP-3002 ¹
K1500	5.7L V8 CARB - w/3-7/16 inch Tall Filter	E-1500	HP-3002
K1500	5.7L V8 CARB - w/5-1/2 inch Tall Filter	E-1420	HP-3002
K1500 Suburban	5.7L V8 CARB	E-1420	HP-3002 ¹
K2500	5.7L V8 CARB		HP-3002 ¹
K2500	5.7L V8 CARB - w/3-7/16 inch Tall Filter	E-1500	HP-3002
K2500 Suburban	5.7L V8 CARB		HP-3002 ¹
1984 GMC			
C1500	5.0L V8 CARB	E-1420	HP-3002 ¹
C1500	5.7L V8 CARB		HP-3002 ¹
C1500	5.7L V8 CARB - w/3-7/16 inch Tall Filter	E-1500	HP-3002
C1500	5.7L V8 CARB - w/5-1/2 inch Tall Filter	E-1420	HP-3002
C1500 Suburban	5.0L V8 CARB	E-1420	HP-3002 ¹
C1500 Suburban	5.7L V8 CARB	E-1420	HP-3002 ¹
K1500	5.7L V8 CARB		HP-3002 ¹
K1500	5.7L V8 CARB - w/3-7/16 inch Tall Filter	E-1500	HP-3002
K1500	5.7L V8 CARB - w/5-1/2 inch Tall Filter	E-1420	HP-3002
K1500 Suburban	5.7L V8 CARB	E-1420	HP-3002 ¹
1981 GMC			
C1500	5.0L V8 2 BBL.	E-1150	HP-3002 ¹
C1500	5.0L V8 4 BBL.	E-1420	HP-3002 ¹
C1500 Suburban	5.0L V8 2 BBL.	E-1150	HP-3002 ¹
C1500 Suburban	5.0L V8 4 BBL.	E-1420	HP-3002 ¹
C1500 Suburban	5.7L V8 DSL	E-1690	
1980 GMC			
C1500	350 V8 CARB		HP-3002 ¹
C1500	350 V8 CARB - w/3-7/16 inch Tall Filter	E-1500	HP-3002
C1500	350 V8 CARB - w/5-1/2 inch Tall Filter	E-1420	HP-3002
C1500	350 V8 DSL	E-1690	HP-2006 ¹

Vehicle	Engine Type	Air Filter	Oil Filter
1980 GMC			
C1500 Suburban	350 V8 CARB		HP-3002 ¹
C1500 Suburban	350 V8 CARB - w/3-7/16 inch Tall Filter	E-1500	HP-3002
C1500 Suburban	350 V8 CARB - w/5-1/2 inch Tall Filter	E-1420	HP-3002
C1500 Suburban	350 V8 DSL	E-1690	HP-2006 ¹
1979 GMC			
C1500	350 V8 DSL	E-1690	
C1500 Suburban	350 V8 CARB - w/o 2qt. Spin On		HP-3002 ¹
C1500 Suburban	350 V8 DSL	E-1690	
Jimmy	350 V8 CARB	E-1500	
Jimmy	350 V8 CARB - w/o 2qt. Spin On	E-1500	HP-3002 ¹
K1500	350 V8 CARB	E-1450	
K1500	350 V8 CARB - 2qt. Spin On	E-1450	HP-6002 ¹
K1500	350 V8 CARB - w/o 2qt. Spin On	E-1450	HP-3002 ¹
K1500 Suburban	350 V8 CARB	E-1500	
K1500 Suburban	350 V8 CARB - w/o 2qt. Spin On	E-1500	HP-3002 ¹
1978 GMC			
C15	350 V8 CARB	E-1500	HP-3002 ¹
C15	350 V8 DSL	E-1690	HP-2003 ¹
C15 Suburban	350 V8 CARB	E-1500	HP-3002 ¹
C15 Suburban	350 V8 DSL	E-1690	HP-2003 ¹
K15	350 V8 CARB	E-1500	HP-3002 ¹
K15 Suburban	350 V8 CARB	E-1500	HP-3002 ¹
1977 GMC			
C15	350 V8 CARB	E-1500	
C15	350 V8 CARB - w/o 2qt. Spin On	E-1500	HP-3002 ¹
C15 Suburban	350 V8 CARB	E-1500	
C15 Suburban	350 V8 CARB - w/o 2qt. Spin On	E-1500	HP-3002 ¹
1975 GMC			
Sprint	402 V8 CARB		HP-3002 ¹
1972 GMC			
C15/C1500 Pickup	350 V8 2 BBL.	E-1450	HP-3002 ¹
C15/C1500 Pickup	350 V8 4 BBL.	E-1500	HP-3002 ¹
1971 GMC			
C25/C2500 Pickup	350 V8 2 BBL. - w/o 2qt. Spin On		HP-3002 ¹
C25/C2500 Pickup	350 V8 4 BBL.	E-1500	
C25/C2500 Pickup	350 V8 4 BBL. - w/o 2qt. Spin On	E-1500	HP-3002 ¹
1970 GMC			
C15/C1500 Pickup	350 V8 CARB - w/o 2qt. Spin On		HP-3002 ¹
1966 GMC			
C25/C2500 Pickup	305 V6 CARB		HP-2003 ¹
2016 HARLEY DAVIDSON			
FLD Dyna	103 CI		HD-0910
Switchback			
FLD Dyna	103 CI		HD-9608
Switchback - Non-US			
FLHR Road King	103 CI		HD-1614
FLHTCU Electra	103 CI		HD-1614
Glide Ultra Classic			
FLHTCUTG Tri Glide Ultra	103 CI		HD-1614
FLHTK Ultra Limited	103 CI		HD-1614
FLHTKL Ultra Limited Low	103 CI		HD-1614

* 2 filters required ♦ Intake System Available - see page 81 +Cabin Air Filter Available - see page 453 1- Pro Series Filter Available

AIR & OIL FILTERS

HARLEY DAVIDSON

Vehicle	Engine Type	Air Filter	Oil Filter	Vehicle	Engine Type	Air Filter	Oil Filter
2016 HARLEY DAVIDSON				2015 HARLEY DAVIDSON			
FLHX Electra Glide Special	103 CI	HD-1614		FLSTNSE CVO Softtail Deluxe	110 CI	HD-0910	KN-171C
FLHX Street Glide	103 CI	HD-1614		FLTRUSE CVO Road Glide Ultra	110 CI	HD-0910	KN-171C
FLHXSE CVO Street Glide	110 CI	HD-0910		FLTRX Road Glide	103 CI	HD-1614	KN-171C
FLS Softtail Slim	103 CI	HD-1614		FLTRXS Road Glide Special	103 CI	HD-1614	KN-171C
FLSTC Heritage Softtail Classic	103 CI	HD-1614		FXDB Dyna Street Bob	103 CI	HD-1611	KN-171C
FLSTF Fat Boy	103 CI	HD-1614		FXDF Fat Bob	103 CI		KN-171C
FLSTN Softtail Deluxe	103 CI	HD-1614		FXDL Dyna Low Rider	103 CI	HD-9608	KN-171C
FLTRU Road Glide Ultra	103 CI	HD-1614		FXDWG Dyna Wide Glide	103 CI	HD-9608	KN-171C
FLTRUSE CVO Road Glide Ultra	110 CI	HD-0910		FXSB Breakout	103 CI	HD-1499	KN-171C
FLTRXS Road Glide Special	103 CI	HD-1614		VRSCDX Night Rod Special	76 CI	HD-1102	KN-174C
FXDB Dyna Street Bob	103 CI	HD-1611		VRSCF V-Rod Muscle	76 CI	HD-1102	KN-174C
FXDF Fat Bob	103 CI	HD-0910		XG500 Street	30 CI	HD-4915	KN-204
FXDL Dyna Low Rider	103 CI	HD-0910		XG750 Street	46 CI	HD-4915	KN-204
FXDL Dyna Low Rider - Non-US	103 CI	HD-9608		XL883L SuperLow	54 CI	HD-1212	KN-171C
FXDWG Dyna Wide Glide	103 CI	HD-0910		XL883N Iron	54 CI	HD-1212	KN-171C
FXDWG Dyna Wide Glide - Non-US	103 CI	HD-9608		XL1200C Sportster Custom	74 CI	HD-1212	KN-171C
FXSB Breakout	103 CI	HD-1614		XL1200T SuperLow	74 CI	HD-1212	KN-171C
VRSCDX Night Rod Special	76 CI	HD-1102		XL1200V Seventy-Two	74 CI	HD-1212	KN-171C
XG500 Street	30 CI	HD-4915		XL1200X Forty-Eight	74 CI	HD-1212	KN-171C
XG750 Street	46 CI	HD-4915		2014 HARLEY DAVIDSON			
XL883L SuperLow	54 CI	HD-1212		FLD Dyna Switchback	103 CI	HD-9608	KN-171C
XL883N Iron	54 CI	HD-1212		FLHR Road King	103 CI	HD-1614	KN-171C
XL1200C Sportster Custom	74 CI	HD-1212		FLHRSE6 CVO Road King	110 CI		KN-171C
XL1200T SuperLow	74 CI	HD-1212		FLHTCU Electra Glide Ultra Classic	103 CI	HD-1614	KN-171C
XL1200V Seventy-Two	74 CI	HD-1212		FLHTCUTG Tri Glide Ultra	103 CI	HD-1614	KN-171C
2015 HARLEY DAVIDSON				FLHTK Electra Glide Ultra Limited	103 CI	HD-1614	KN-171C
FLD Dyna Switchback	103 CI	HD-9608	KN-171C	FLHTKSE CVO Limited	110 CI	HD-0910	KN-171C
FLHR Road King	103 CI	HD-1614	KN-171C	FLHX Street Glide	103 CI	HD-1614	KN-171C
FLHTCU Electra Glide Ultra Classic	103 CI	HD-1614	KN-171C	FLHXS Street Glide Special	103 CI	HD-1614	KN-171C
FLHTCUL Electra Glide Ultra Classic Low	103 CI	HD-1614	KN-171C	FLS Softtail Slim	103 CI	HD-1611	KN-171C
FLHTCUTG Tri Glide Ultra	103 CI	HD-1614	KN-171C	FLSTC Heritage Softtail Classic	103 CI	HD-1499	KN-171C
FLHTK Ultra Limited	103 CI	HD-1614	KN-171C	FLSTF Fat Boy	103 CI	HD-1499	KN-171C
FLHTKL Ultra Limited Low	103 CI	HD-1614	KN-171C	FLSTFB Softtail Fat Boy Lo	103 CI	HD-1499	KN-171C
FLHTKSE CVO Limited	110 CI	HD-0910	KN-171C	FLSTN Softtail Deluxe	103 CI	HD-1499	KN-171C
FLHX Street Glide	103 CI	HD-1614	KN-171C	FLSTNSE CVO Softtail Deluxe	110 CI	HD-0910	KN-171C
FLHXS Street Glide Special	103 CI	HD-1614	KN-171C	FXDB Dyna Street Bob	103 CI	HD-1611	KN-171C
FLHXSE CVO Street Glide	110 CI	HD-0910	KN-171C	FXDC Dyna Super Glide Custom	103 CI	HD-9608	KN-171C
FLRT Freewheeler	103 CI	HD-1614	KN-171C	FXDF Fat Bob	103 CI	HD-9608	KN-171C
FLS Softtail Slim	103 CI	HD-1611	KN-171C	FXDL Dyna Low Rider	103 CI	HD-9608	KN-171C
FLSTC Heritage Softtail Classic	103 CI	HD-1499	KN-171C	FXDWG Dyna Wide Glide	103 CI	HD-9608	KN-171C
FLSTF Fat Boy	103 CI	HD-1499	KN-171C	FXSB Breakout	103 CI	HD-1499	KN-171C
FLSTFB Softtail Fat Boy Lo	103 CI	HD-1499	KN-171C	FXSBSE CVO Breakout	103 CI		KN-171C
FLSTN Softtail Deluxe	103 CI	HD-1499	KN-171C				

* 2 filters required ♦ Intake System Available - see page 81 +Cabin Air Filter Available - see page 453 1- Pro Series Filter Available

HARLEY DAVIDSON

AIR & OIL FILTERS

Vehicle	Engine Type	Air Filter	Oil Filter
2014 HARLEY DAVIDSON			
VRSCDX Night Rod Special	76 CI	HD-1102	
VRSCF V-Rod Muscle	76 CI	HD-1102	
XG500 Street	30 CI		KN-204
XG750 Street	46 CI		KN-204
XL883L SuperLow	54 CI	HD-1212	KN-170C
XL883N Iron	54 CI	HD-1212	KN-170C
XL1200C Sportster Custom	74 CI	HD-1212	KN-170C
XL1200T SuperLow	74 CI	HD-1212	
XL1200V Seventy-Two	74 CI	HD-1212	KN-170C
XL1200X Forty-Eight	74 CI	HD-1212	KN-170C

Vehicle	Engine Type	Air Filter	Oil Filter
2013 HARLEY DAVIDSON			
FLD Dyna Switchback	103 CI	HD-9608	KN-171C
FLHR Road King	103 CI	HD-1508	KN-171C
FLHRC Road King Classic	103 CI	HD-1508	KN-171C
FLHRSE5 CVO Road King	110 CI	HD-0910	KN-171C
FLHTC Electra Glide Classic	103 CI	HD-1508	KN-171C
FLHTCU Ultra Classic Electra Glide	103 CI	HD-1508	KN-171C
FLHTCUSE8 CVO Ultra Classic Electra Glide F/I	110 CI	HD-0910	KN-171C
FLHTCUTG Tri Glide Ultra Classic	103 CI	HD-1508	KN-171C
FLHTK Electra Glide Ultra Limited	103 CI	HD-1508	KN-171C
FLHX Street Glide	103 CI	HD-1508	KN-171C
FLS Softail Slim	103 CI	HD-1611	KN-171C
FLSTC Heritage Softail Classic	103 CI	HD-1499	KN-171C
FLSTF Fat Boy	103 CI	HD-1499	KN-171C
FLSTFB Softail Fat Boy Lo	103 CI	HD-1499	KN-171C
FLSTN Softail Deluxe	103 CI	HD-1499	KN-171C
FLTRU Road Glide Ultra	103 CI	HD-1508	KN-171C
FLTRX Road Glide Custom	103 CI	HD-1508	KN-171C
FLTRXSE CVO Road Glide Custom	96 CI		KN-171C
FXDB Dyna Street Bob	96 CI	HD-9608	KN-171C
FXDC Dyna Super Glide Custom	96 CI	HD-9608	KN-171C
FXDC Super Glide Custom	96 CI	HD-9608	KN-171C
FXDF Fat Bob	103 CI	HD-9608	KN-171C
FXDWG Dyna Wide Glide	103 CI	HD-9608	KN-171C
FXS Blackline	103 CI	HD-1611	KN-171C
FXSBSE CVO Breakout	110 CI		KN-171C
VRSCDX Night Rod Special	76 CI	HD-1102	
VRSCF V-Rod Muscle	76 CI	HD-1102	
XL883L SuperLow	54 CI	HD-8834	KN-170C
XL883N Iron	54 CI	HD-8834	KN-170C
XL1200C Sportster Custom	74 CI	HD-8834	KN-170C
XL1200N Sportster Nightster	74 CI	HD-8834	KN-170C
XL1200V Seventy-Two	74 CI	HD-1212	
XL1200X Forty-Eight	74 CI	HD-8834	KN-170C
Custom	74 CI	HD-8834	KN-170C

Vehicle	Engine Type	Air Filter	Oil Filter
2013 HARLEY DAVIDSON			
XL1200V Seventy-Two	74 CI	HD-1212	KN-170C
XL1200X Forty-Eight	74 CI	HD-8834	KN-170C
2012 HARLEY DAVIDSON			
FLD Dyna Switchback	103 CI	HD-9608	KN-171C
FLHP Road King Police	103 CI	HD-1508	
FLHR Road King	103 CI	HD-1508	KN-171C
FLHRC Road King Classic	103 CI	HD-1508	KN-171C
FLHTC Electra Glide Classic	103 CI	HD-1508	KN-171C
FLHTCU Electra Glide Ultra Classic	103 CI	HD-1508	KN-171C
FLHTCUSE7 CVO Ultra Classic Electra Glide	110 CI	HD-0910	KN-171C
FLHTCUTG Tri Glide Ultra Classic	103 CI	HD-1508	KN-171C
FLHTK Electra Glide Ultra Limited	103 CI	HD-1508	KN-171C
FLHTP Electra Glide Police	103 CI	HD-1508	
FLHX Street Glide	103 CI	HD-1508	KN-171C
FLHXSE3 CVO Street Glide	110 CI	HD-0910	KN-171C
FLS Softail Slim	103 CI	HD-1611	KN-171C
FLSTC Heritage Softail Classic	103 CI	HD-1499	KN-171C
FLSTF Fat Boy	103 CI	HD-1499	KN-171C
FLSTFB Softail Fat Boy Lo	103 CI	HD-1499	KN-171C
FLSTN Softail Deluxe	103 CI	HD-1499	KN-171C
FLSTSE CVO Softail Convertible	110 CI	HD-0910	KN-171C
FLTRU Road Glide Ultra	103 CI	HD-1508	KN-171C
FLTRX Road Glide Custom	103 CI	HD-1508	KN-171C
FLTRXSE CVO Road Glide Custom	96 CI		KN-171C
FXDB Dyna Street Bob	96 CI	HD-9608	KN-171C
FXDC Dyna Super Glide Custom	96 CI	HD-9608	KN-171C
FXDF Fat Bob	103 CI	HD-9608	KN-171C
FXDWG Dyna Wide Glide	103 CI	HD-9608	KN-171C
FXS Blackline	103 CI	HD-1611	KN-171C
VRSCDX 10th Anniversary Edition	76 CI	HD-1102	
VRSCDX Night Rod Special	76 CI	HD-1102	
VRSCF V-Rod Muscle	76 CI	HD-1102	
XL883L SuperLow	54 CI	HD-8834	KN-170C
XL883N Iron	54 CI	HD-8834	KN-170C
XL883R Sportster Roadster	54 CI	HD-8834	KN-170C
XL1200C Sportster Custom	74 CI	HD-8834	KN-170C
XL1200N Sportster Nightster	74 CI	HD-8834	KN-170C
XL1200V Seventy-Two	74 CI	HD-1212	
XL1200X Forty-Eight	74 CI	HD-8834	KN-170C
XR1200X Sportster	74 CI	HD-1208	KN-170C

* 2 filters required ♦ Intake System Available - see page 81 +Cabin Air Filter Available - see page 453 1- Pro Series Filter Available

AIR & OIL FILTERS

HARLEY DAVIDSON

Vehicle	Engine Type	Air Filter	Oil Filter
2011 HARLEY DAVIDSON			
FLHP Road King Police	103 CI	HD-1508	
FLHR Road King	96 CI	HD-1508	KN-171C
FLHRC Road King Classic	103 CI	HD-1508	KN-171C
FLHTC Electra Glide Classic	96 CI	HD-1508	KN-171C
FLHTCU Ultra	96 CI	HD-1508	KN-171C
Classic Electra Glide			
FLHTCUSE6 CVO	110 CI	HD-0910	KN-171C
Ultra Classic Electra Glide			
FLHTCUTG Tri Glide	103 CI	HD-1508	KN-171C
Ultra Classic			
FLHTK Electra Glide	103 CI	HD-1508	KN-171C
Ultra Limited			
FLHTP Electra Glide	103 CI	HD-1508	
Police			
FLHX Street Glide	96 CI	HD-1508	KN-171C
FLHXSE2 CVO	110 CI	HD-0910	KN-171C
Street Glide			
FLHXXX Street Glide	103 CI	HD-1508	KN-171C
Trike			
FLSTC Heritage	96 CI	HD-1499	KN-171C
Softail Classic			
FLSTF Fat Boy	96 CI	HD-1499	KN-171C
FLSTFB Softail Fat Boy Lo	96 CI	HD-1499	KN-171C
FLSTN Softail Deluxe	96 CI	HD-1499	KN-171C
FLSTSB Softail Cross	96 CI	HD-1611	KN-171C
Bones			
FLSTSE CVO Softail	110 CI	HD-0910	KN-171C
Convertible			
FLTRU Road Glide	103 CI	HD-1508	KN-171C
Ultra			
FLTRUSE CVO Road	110 CI	HD-0910	KN-171C
Glide Ultra			
FLTRX Road Glide	96 CI	HD-1508	KN-171C
Custom			
FXDB Dyna Street	96 CI	HD-9608	KN-171C
Bob			
FXDC Dyna Super	96 CI	HD-9608	KN-171C
Glide Custom			
FXDF Fat Bob	96 CI	HD-9608	KN-171C
FXDWG Dyna Wide	96 CI	HD-9608	KN-171C
Glide			
FXS Blackline	103 CI	HD-1611	KN-171C
VRSCDX Night Rod	76 CI	HD-1102	
Special			
VRSCF V-Rod	76 CI	HD-1102	
Muscle			
XL883L SuperLow	54 CI	HD-8834	KN-170C
XL883N Iron	54 CI	HD-8834	KN-170C
XL1200C Sportster	74 CI	HD-8834	KN-170C
Custom			
XL1200L Sportster	74 CI	HD-8834	KN-170C
Low			
XL1200N Sportster	74 CI	HD-8834	KN-170C
Nightster			
XL1200X Forty-Eight	74 CI	HD-8834	KN-170C
XR1200X Sportster	74 CI	HD-1208	KN-170C

2010 HARLEY DAVIDSON

FLHP Road King Police	103 CI	HD-1508	
FLHR Road King	96 CI	HD-1508	KN-171C
FLHRC Road King Classic	96 CI	HD-1508	KN-171C

Vehicle	Engine Type	Air Filter	Oil Filter
2010 HARLEY DAVIDSON			
FLHT Electra Glide Standard	96 CI	HD-1508	
FLHTC Electra Glide Classic	96 CI	HD-1508	KN-171C
FLHTCU Ultra	96 CI	HD-1508	KN-171C
Classic Electra Glide			
FLHTCUSE5 CVO	110 CI	HD-1508	KN-171C
Ultra Classic Electra Glide			
FLHTCUTG Tri Glide	103 CI	HD-1508	KN-171C
Ultra Classic			
FLHTK Electra Glide	103 CI	HD-1508	KN-171C
Ultra Limited			
FLHX Street Glide	96 CI	HD-1508	KN-171C
FLHXSE CVO Street	110 CI	HD-0910	KN-171C
Glide			
FLHXXX Street Glide	103 CI	HD-1508	KN-171C
Trike			
FLSTC Heritage	96 CI	HD-1499	KN-171C
Softail Classic			
FLSTF Fat Boy	96 CI	HD-1499	KN-171C
FLSTFB Softail Fat Boy Lo	96 CI	HD-1499	KN-171C
FLSTN Softail Deluxe	96 CI	HD-1499	KN-171C
FLSTSB Softail Cross	96 CI	HD-1611	KN-171C
Bones			
FLSTSE CVO Softail	110 CI	HD-0910	KN-171C
Convertible			
FLTR Road Glide	96 CI	HD-1508	KN-171C
FLTRX Road Glide	96 CI	HD-1508	KN-171C
Custom			
FXCWC Rocker C	96 CI		KN-171C
FXD Dyna Super	96 CI	HD-9608	
Glide			
FXDB Dyna Street	96 CI	HD-9608	KN-171C
Bob			
FXDC Dyna Super	96 CI	HD-9608	KN-171C
Glide Custom			
FXDF Fat Bob	96 CI	HD-9608	KN-171C
FXDFSE2 CVO Dyna	96 CI		KN-171C
Fat Bob			
FXDWG Dyna Wide	96 CI	HD-9608	KN-171C
Glide			
FXSTC Softail	96 CI	HD-1499	KN-171C
Custom			
VRSCAW V-Rod	69 CI	HD-1102	
VRSCDX Night Rod	76 CI	HD-1102	KN-174C
Special			
VRSCF V-Rod	76 CI	HD-1102	KN-174C
Muscle			
XL883C Sportster	54 CI	HD-8834	KN-170C
Custom			
XL883L Sportster	54 CI	HD-8834	KN-170C
Low			
XL883N Iron	54 CI	HD-8834	KN-170C
XL1200C Sportster	74 CI	HD-8834	KN-170C
Custom			
XL1200L Sportster	74 CI	HD-8834	KN-170C
Low			
XL1200N Sportster	74 CI	HD-8834	KN-170C
Nightster			
XL1200X Forty-Eight	74 CI	HD-8834	KN-170C
XR1200X Sportster	74 CI	HD-1208	KN-170C

2009 HARLEY DAVIDSON

FLHP Road King Police	103 CI	HD-1508	KN-171C
FLHR Road King	96 CI	HD-1508	KN-171C

* 2 filters required ♦ Intake System Available - see page 81 +Cabin Air Filter Available - see page 453 1- Pro Series Filter Available

HARLEY DAVIDSON

AIR & OIL FILTERS

Vehicle	Engine Type	Air Filter	Oil Filter	Vehicle	Engine Type	Air Filter	Oil Filter
2009 HARLEY DAVIDSON				2008 HARLEY DAVIDSON			
FLHRC Road King Classic	96 CI	HD-1508	KN-171C	FLHTC Electra Glide Classic	96 CI	HD-1508	KN-171C
FLHT Electra Glide Standard	96 CI	HD-1508	KN-171C	FLHTCU Ultra Classic Electra Glide	96 CI	HD-1508	KN-171C
FLHTC Electra Glide Classic	96 CI	HD-1508	KN-171C	FLHTCUSE3 Screamin Eagle Ultra Classic Electra Gl	110 CI	HD-1508	KN-171C
FLHTCU Ultra Classic Electra Glide	96 CI	HD-1508	KN-171C	FLHX Street Glide	96 CI	HD-1508	KN-171C
FLHTCUSE4 CVO Ultra Classic Electra Glide	110 CI	HD-1508	KN-171C	FLSTC Heritage Softail Classic	96 CI	HD-1499	KN-171C
FLHTCUTG Tri Glide Ultra Classic	103 CI	HD-1508	KN-171C	FLSTF Fat Boy	96 CI	HD-1499	KN-171C
FLHTP Electra Glide Police	103 CI	HD-1508	KN-171C	FLSTN Softail Deluxe	96 CI	HD-1499	KN-171C
FLHX Street Glide	96 CI	HD-1508	KN-171C	FLSTSB Softail Cross Bones	96 CI	HD-1499	KN-171C
FLSTC Heritage Softail Classic	96 CI	HD-1499	KN-171C	FLTR Road Glide	96 CI	HD-1508	KN-171C
FLSTF Fat Boy	96 CI	HD-1499	KN-171C	FLTRSE3 CVO Road Glide	110 CI	HD-0910	KN-171C
FLSTN Softail Deluxe	96 CI	HD-1499	KN-171C	FXCW Rocker	96 CI	HD-1499	KN-171C
FLSTSB Softail Cross Bones	96 CI	KN-171C		FXCWC Rocker C	96 CI	HD-1499	KN-171C
FLTR Road Glide	96 CI	HD-1508	KN-171C	FXD Dyna Super Glide	96 CI	HD-9608	KN-171C
FLTRSE3 CVO Road Glide	110 CI	HD-0910	KN-171C	FXDB Dyna Street Bob	96 CI	HD-9608	KN-171C
FXCW Rocker	96 CI	HD-1499	KN-171C	FXDC Dyna Super Glide Custom	96 CI	HD-9608	KN-171C
FXCWC Rocker C	96 CI	HD-1499	KN-171C	FXDF Fat Bob	96 CI	HD-9608	KN-171C
FXD Dyna Super Glide	96 CI	HD-9608	KN-171C	FXDFSE CVO Fat Bob	110 CI	KN-171C	
FXDB Dyna Street Bob	96 CI	HD-9608	KN-171C	FXDL Dyna Low Rider	96 CI	HD-9608	KN-171C
FXDC Dyna Super Glide Custom	96 CI	HD-9608	KN-171C	FXSTB Night Train	96 CI	HD-1499	KN-171C
FXDF Fat Bob	96 CI	HD-9608	KN-171C	FXSTC Softail Custom	96 CI	HD-1499	KN-171C
FXDFSE CVO Fat Bob	110 CI	KN-171C		FXSTSSE3 CVO Softail Springer	110 CI	HD-1499	KN-171C
FXDL Dyna Low Rider	96 CI	HD-9608	KN-171C	VRSCAW V-Rod	69 CI	HD-1102	KN-174C
FXSTB Night Train	96 CI	HD-1499	KN-171C	VRSCDX Night Rod Special	76 CI	HD-1102	KN-174C
FXSTC Softail Custom	96 CI	HD-1499	KN-171C	VRSCF V-Rod Muscle	76 CI	HD-1102	KN-174C
FXSTSSE3 CVO Softail Springer	110 CI	HD-1499	KN-171C	XL883C Sportster Custom	54 CI	HD-8834	KN-170C
VRSCAW V-Rod	69 CI	HD-1102	KN-174C	XL883L Sportster Low	54 CI	HD-8834	KN-170C
VRSCDX Night Rod Special	76 CI	HD-1102	KN-174C	XL883N Iron	54 CI	HD-8834	KN-170C
VRSCF V-Rod Muscle	76 CI	HD-1102	KN-174C	XL1200C Sportster Custom	74 CI	HD-8834	KN-170C
XL883C Sportster Custom	54 CI	HD-8834	KN-170C	XL1200L Sportster Low	74 CI	HD-8834	KN-170C
XL883L Sportster Low	54 CI	HD-8834	KN-170C	XL1200N Sportster Nightster	74 CI	HD-8834	KN-170C
XL883N Iron	54 CI	HD-8834	KN-170C	XL1200R Sportster Roadster	74 CI	HD-8834	KN-170C
XL1200C Sportster Custom	74 CI	HD-8834	KN-170C	XR1200	74 CI	HD-1208	
XL1200L Sportster Low	74 CI	HD-8834	KN-170C	2007 HARLEY DAVIDSON			
XL1200N Sportster Nightster	74 CI	HD-8834	KN-170C	FLHR Road King	96 CI	HD-1499	KN-171C
XR1200	74 CI	HD-1208	KN-170C	FLHRC Road King Classic	96 CI	HD-1499	KN-171C
2008 HARLEY DAVIDSON				FLHRS Road King Custom	96 CI	HD-1499	KN-171C
FLHR Road King	96 CI	HD-1508	KN-171C	FLHRSE3 Screamin Eagle Road King	110 CI		KN-171C
FLHRC Road King Classic	96 CI	HD-1508	KN-171C	FLHT Electra Glide Standard	96 CI	HD-1499	KN-171C
FLHRSE4 Screamin Eagle Road King	110 CI	HD-1508	KN-171C	FLHTC Electra Glide Classic	96 CI	HD-1499	KN-171C
FLHT Electra Glide Standard	96 CI	HD-1508	KN-171C	FLHTC Electra Glide Classic	96 CI	HD-1499	KN-171C
				FLHTC Electra Glide Classic F/I	88 CI	HD-1499	KN-171C

* 2 filters required ♦ Intake System Available - see page 81 +Cabin Air Filter Available - see page 453 1- Pro Series Filter Available

AIR & OIL FILTERS

HARLEY DAVIDSON

Vehicle	Engine Type	Air Filter	Oil Filter	Vehicle	Engine Type	Air Filter	Oil Filter
2007 HARLEY DAVIDSON				2006 HARLEY DAVIDSON			
FLHTCU Ultra Classic Electra Glide	96 CI	HD-1499	KN-171C	FLHTCI Electra Glide Classic F/I	88 CI	HD-1499	KN-171C
FLHTCUSE2 Screamin Eagle Ultra Classic Electra Gli	110 CI		KN-171C	FLHTCUI Electra Glide Ultra Classic F/I	88 CI	HD-1499	KN-171C
FLHTP Electra Glide Police	103 CI	HD-1499		FLHTCUSE Screamin Eagle Ultra Classic Electra Glid	103 CI	HD-1499	
FLHX Street Glide	96 CI	HD-1499	KN-171C	FLHTI Electra Glide Standard F/I	88 CI	HD-1499	KN-171C
FLSTC Heritage Softail Classic	96 CI	HD-1499	KN-171C	FLHX Street Glide	88 CI	HD-1499	KN-171C
FLSTF Fat Boy	96 CI	HD-1499	KN-171C	FLHXI Street Glide F/I	88 CI	HD-1499	KN-171C
FLSTN Softail Deluxe	96 CI	HD-1499	KN-171C	FLST Heritage Softail	88 CI	HD-1499	KN-171C
FLSTSC Softail Springer Classic	96 CI	HD-1499	KN-171C	FLSTC Heritage Softail Classic	88 CI	HD-1499	
FLTR Road Glide	96 CI	HD-1499	KN-171C	FLSTCI Heritage Softail Classic F/I	88 CI	HD-1499	KN-171C
FXD Dyna Super Glide	96 CI	HD-1499	KN-171C	FLSTF Fat Boy	88 CI	HD-1499	KN-171C
FXDB Dyna Street Bob	96 CI	HD-1499	KN-171C	FLSTF Fat Boy	96 CI		KN-171C
FXDC Super Glide Custom	96 CI	HD-1499	KN-171C	FLSTFI Fat Boy F/I	88 CI	HD-1499	KN-171C
FXDL Dyna Low Rider	96 CI	HD-1499	KN-171C	FLSTI Heritage Softail F/I	88 CI	HD-1499	KN-171C
FXDSE Screamin Eagle Dyna	110 CI		KN-171C	FLSTN Softail Deluxe	88 CI	HD-1499	KN-171C
FXDWG Dyna Wide Glide	96 CI	HD-1499	KN-171C	FLSTNI Softail Deluxe F/I	88 CI	HD-1499	KN-171C
FXST Softail Standard	96 CI	HD-1499	KN-171C	FLSTSC Softail Springer Classic	88 CI		KN-171C
FXSTB Night Train	96 CI	HD-1499	KN-171C	FLSTSCI Softail Springer Classic F/I	88 CI	HD-1499	KN-171C
FXSTC Softail Custom	96 CI	HD-1499	KN-171C	FLTR Road Glide	88 CI		KN-171C
FXSTD Softail Deuce	96 CI	HD-1499	KN-171C	FLTRI Road Glide F/I	88 CI	HD-1499	KN-171C
FXSTSSE Screamin Eagle Softail Springer	110 CI		KN-171C	FXDBI Street Bob F/I	88 CI	HD-1499	KN-171C
VRSCAW V-Rod	69 CI	HD-1102	KN-174C	FXDCI Dyna Super Glide Custom F/I	88 CI	HD-1499	KN-171C
VRSCD Night Rod	69 CI	HD-1102	KN-174C	FXDI Dyna Super Glide F/I	88 CI	HD-1499	KN-171C
VRSCDX Night Rod Special	69 CI	HD-1102	KN-174C	FXDL Dyna Super Glide F/I	88 CI	HD-1499	KN-171C
VRSCR Street Rod	69 CI	HD-1102	KN-174C	FXDL Dyna Low Rider	88 CI	HD-1499	KN-171C
VRSCX V-Rod	76 CI	HD-1102	KN-174C	FXDLI Dyna Low Rider F/I	88 CI	HD-1499	KN-171C
XL50 50th Anniversary Sportster	74 CI	HD-8834	KN-170C	FXDWG Dyna Wide Glide	88 CI	HD-1499	KN-171C
XL883 Sportster	54 CI	HD-8834	KN-170C	FXDWGI Dyna Wide Glide F/I	88 CI	HD-1499	KN-171C
XL883C Sportster Custom	54 CI	HD-8834	KN-170C	FXST Softail Standard	88 CI	HD-1499	KN-171C
XL883L Sportster Low	54 CI	HD-8834	KN-170C	FXSTB Night Train	88 CI	HD-1499	KN-171C
XL883R Sportster	54 CI	HD-8834	KN-170C	FXSTBI Night Train F/I	88 CI	HD-1499	KN-171C
XL1200C Sportster Custom	74 CI	HD-8834	KN-170C	FXSTD Softail Deuce	88 CI	HD-1499	KN-171C
XL1200L Sportster Low	74 CI	HD-8834	KN-170C	FXSTDI Softail Deuce F/I	88 CI	HD-1499	KN-171C
XL1200N Sportster Nightster	74 CI	HD-8834	KN-170C	FXSTI Softail Standard F/I	88 CI	HD-1499	KN-171C
XL1200R Sportster Roadster	74 CI	HD-8834	KN-170C	FXSTS Springer Softail	88 CI	HD-1499	KN-171C
2006 HARLEY DAVIDSON				FXSTSI Springer Softail F/I	88 CI	HD-1499	KN-171C
FLHR Road King	88 CI	HD-1499	KN-171C	VRSCA V-Rod	69 CI	HD-1102	KN-174C
FLHRCI Road King Classic F/I	88 CI	HD-1499	KN-171C	VRSCD Night Rod	69 CI	HD-1102	KN-174C
FLHRI Road King F/I	88 CI	HD-1499	KN-171C	VRSCR Street Rod	69 CI	HD-1102	KN-174C
FLHRS Road King Custom	88 CI	HD-1499	KN-171C	VRSCSE2 Screamin Eagle V-Rod	76 CI	HD-1102	KN-174C
FLHRSI Road King Custom F/I	88 CI	HD-1499	KN-171C	XL883 Sportster	54 CI	HD-8834	KN-170C
FLHT Electra Glide Standard	88 CI	HD-1499	KN-171C	XL883C Sportster Custom	54 CI	HD-8834	KN-170C

* 2 filters required ♦ Intake System Available - see page 81 +Cabin Air Filter Available - see page 453 1- Pro Series Filter Available

HARLEY DAVIDSON

AIR & OIL FILTERS

Vehicle	Engine Type	Air Filter	Oil Filter
2006 HARLEY DAVIDSON			
XL883L Sportster Low	54 CI	HD-8834	KN-170C
XL883R Sportster	54 CI	HD-8834	KN-170C
XL1200C Sportster Custom	74 CI	HD-8834	KN-170C
XL1200L Sportster Low	74 CI	HD-8834	KN-170C
XL1200R Sportster Roadster	74 CI	HD-8834	KN-170C
XLH883 Sportster	54 CI		KN-170C
XLH883 Sportster Custom	54 CI	HD-8834	KN-170C
XLH883L Sportster Low	54 CI		KN-170C
XLH883R Sportster R	54 CI		KN-170C

2005 HARLEY DAVIDSON			
FLHR Road King	88 CI	HD-1499	KN-171C
FLHRCI Road King Classic F/I	88 CI	HD-1499	KN-171C
FLHRI Road King F/I	88 CI	HD-1499	KN-171C
FLHRS Road King Custom	88 CI	HD-1499	KN-171C
FLHRSI Road King Custom F/I	88 CI	HD-1499	KN-171C
FLHT Electra Glide Standard	88 CI	HD-1499	KN-171C
FLHTC Electra Glide Classic	88 CI	HD-1499	KN-171C
FLHTCI Electra Glide Classic F/I	88 CI	HD-1499	KN-171C
FLHTCSE2 Screamin Eagle Electra Glide 2	103 CI		KN-171C
FLHTCUI Electra Glide Ultra Classic F/I	88 CI	HD-1499	KN-171C
FLHTI Electra Glide Standard F/I	88 CI	HD-1499	KN-171C
FLSTC Heritage Softail Classic	88 CI	HD-1499	
FLSTCI Heritage Softail Classic F/I	88 CI	HD-1499	KN-171C
FLSTF Fat Boy	88 CI	HD-1499	KN-171C
FLSTF Fat Boy	96 CI		KN-171C
FLSTFI Fat Boy F/I	88 CI	HD-1499	KN-171C
FLSTFI Fat Boy F/I 15th Anniv.	95 CI	HD-0800	KN-171C
FLSTFSE Screamin Eagle Fat Boy	103 CI	HD-0800	KN-171C
FLSTN Softail Deluxe	88 CI	HD-1499	KN-171C
FLSTNI Softail Deluxe F/I	88 CI	HD-1499	KN-171C
FLSTSC Softail Springer Classic	88 CI	HD-1499	KN-171C
FLSTSCI Softail Springer Classic F/I	88 CI	HD-1499	KN-171C
FLTR Road Glide	88 CI		KN-171C
FLTRI Road Glide F/I	88 CI	HD-1499	KN-171C
FXD Dyna Super Glide	88 CI	HD-1499	
FXDCI Dyna Super Glide Custom F/I	88 CI	HD-1499	KN-171C
FXDI Dyna Super Glide F/I	88 CI	HD-1499	KN-171C
FXDL Dyna Low Rider	88 CI	HD-1499	KN-171C
FXDLI Dyna Low Rider F/I	88 CI	HD-1499	KN-171C
FXDWG Dyna Wide Glide	88 CI	HD-1499	KN-171C

Vehicle	Engine Type	Air Filter	Oil Filter
2005 HARLEY DAVIDSON			
FXDWGI Dyna Wide Glide F/I	88 CI	HD-1499	KN-171C
FXDXI Dyna Super Glide Sport F/I	88 CI	HD-1499	KN-171C
FXST Softail Standard	88 CI	HD-1499	KN-171C
FXSTB Night Train	88 CI	HD-1499	KN-171C
FXSTBI Night Train F/I	88 CI	HD-1499	KN-171C
FXSTD Softail Deuce	88 CI	HD-1499	KN-171C
FXSTDI Softail Deuce F/I	88 CI	HD-1499	KN-171C
FXSTI Softail Standard F/I	88 CI	HD-1499	KN-171C
FXSTS Springer Softail	88 CI	HD-1499	KN-171C
FXSTSI Springer Softail F/I	88 CI	HD-1499	KN-171C
VRSCA V-Rod	69 CI	HD-1102	KN-174C
VRSCB V-Rod	69 CI	HD-1102	KN-174C
VRSCSE Screamin Eagle V-Rod	76 CI	HD-1102	KN-174C
XL883 Sportster	54 CI	HD-8834	KN-170C
XL883C Sportster Custom	54 CI	HD-8834	KN-170C
XL883L Sportster Low	54 CI	HD-8834	KN-170C
XL883R Sportster	54 CI	HD-8834	KN-170C
XL1200C Sportster Custom	74 CI	HD-8834	KN-170C
XL1200R Sportster Roadster	74 CI	HD-8834	KN-170C
XLH883 Sportster	54 CI		KN-170C
XLH883 Sportster Custom	54 CI		KN-170C
XLH883L Sportster Low	54 CI		KN-170C

2004 HARLEY DAVIDSON			
FLHR Road King	88 CI	HD-1499	KN-171C
FLHRCI Road King Classic F/I	88 CI	HD-1499	KN-171C
FLHRI Road King F/I	88 CI	HD-1499	KN-171C
FLHRS Road King Custom	88 CI	HD-1499	KN-171C
FLHRSI Road King Custom F/I	88 CI	HD-1499	KN-171C
FLHT Electra Glide Standard	88 CI	HD-1499	KN-171C
FLHTC Electra Glide Classic	88 CI	HD-1499	KN-171C
FLHTCI Electra Glide Classic F/I	88 CI	HD-1499	KN-171C
FLHTCSE Screamin Eagle Electra Glide	103 CI		KN-171C
FLHTCUI Electra Glide Ultra Classic F/I	88 CI	HD-1499	KN-171C
FLHTI Electra Glide Standard F/I	88 CI	HD-1499	KN-171C
FLSTC Heritage Softail Classic	88 CI	HD-1499	KN-171C
FLSTCI Heritage Softail Classic F/I	88 CI	HD-1499	KN-171C
FLSTF Fat Boy	88 CI	HD-1499	KN-171C
FLSTF Fat Boy	96 CI		KN-171C
FLSTFI Fat Boy F/I	88 CI	HD-1499	KN-171C
FLTR Road Glide	88 CI		KN-171C
FLTRI Road Glide F/I	88 CI	HD-1499	KN-171C

* 2 filters required ♦ Intake System Available - see page 81 +Cabin Air Filter Available - see page 453 1- Pro Series Filter Available

AIR & OIL FILTERS

HARLEY DAVIDSON

Vehicle	Engine Type	Air Filter	Oil Filter
2004 HARLEY DAVIDSON			
FXD Dyna Super Glide	88 CI	HD-1499	
FXDI Dyna Super Glide F/I	88 CI	HD-1499	KN-171C
FXDL Dyna Low Rider	88 CI	HD-1499	KN-171C
FXDLI Dyna Low Rider F/I	88 CI	HD-1499	KN-171C
FXDWG Dyna Wide Glide	88 CI	HD-1499	KN-171C
FXDWGI Dyna Wide Glide F/I	88 CI	HD-1499	KN-171C
FXDX Dyna Super Glide Sport	88 CI		KN-171C
FXDXI Dyna Super Glide Sport F/I	88 CI		KN-171C
FXST Softail Standard	88 CI	HD-1499	KN-171C
FXSTB Night Train F/I	88 CI	HD-1499	KN-171C
FXSTBI Night Train F/I	88 CI	HD-1499	KN-171C
FXSTD Softail Deuce F/I	88 CI	HD-1499	KN-171C
FXSTDI Softail Deuce F/I	88 CI	HD-1499	KN-171C
FXSTDSE2 Screamin Eagle Softail Deuce 2	95 CI		KN-171C
FXSTI Softail Standard F/I	88 CI	HD-1499	KN-171C
FXSTS Springer Softail	88 CI	HD-1499	KN-171C
FXSTSI Springer Softail F/I	88 CI	HD-1499	KN-171C
VRSCA V-Rod	69 CI	HD-1102	KN-174C
VRSCB V-Rod	69 CI	HD-1102	KN-174C
XL883 Sportster Custom	54 CI	HD-8834	KN-170C
XL883C Sportster Custom	54 CI	HD-8834	KN-170C
XL883L Sportster Low	54 CI		KN-170C
XL883R Sportster Custom	54 CI		KN-170C
XL1200C Sportster Roadster	74 CI	HD-8834	KN-170C
XL1200R Sportster Roadster	74 CI	HD-8834	KN-170C
XLH883 Sportster Custom	54 CI		KN-170C
XLH883 Sportster Custom	54 CI		KN-170C

2003 HARLEY DAVIDSON			
FLHR Road King Classic F/I	88 CI	HD-1499	KN-171C
FLHRCI Road King Classic F/I	88 CI	HD-1499	KN-171C
FLHRI Road King F/I	88 CI	HD-1499	KN-171C
FLHT Electra Glide Standard	88 CI	HD-1499	KN-171C
FLHTC Electra Glide Classic	88 CI	HD-1499	KN-171C
FLHTCI Electra Glide Classic F/I	88 CI	HD-1499	KN-171C
FLHTCSE Screamin Eagle Electra Glide Classic	103 CI		KN-171C
FLHTCUI Electra Glide Ultra Classic F/I	88 CI	HD-1499	KN-171C
FLHTI Electra Glide Standard F/I	88 CI	HD-1499	KN-171C
FLHTSEI Screamin Eagle Road King F/I	103 CI		KN-171C
FLSTC Heritage Softail Classic	88 CI	HD-1499	KN-171C

Vehicle	Engine Type	Air Filter	Oil Filter
2003 HARLEY DAVIDSON			
FLSTCI Heritage Softail Classic F/I	88 CI	HD-1499	KN-171C
FLSTF Fat Boy	88 CI	HD-1499	KN-171C
FLSTF Fat Boy	96 CI		KN-171C
FLSTFI Fat Boy F/I	88 CI	HD-1499	KN-171C
FLSTS Heritage Springer	88 CI	HD-1499	KN-171C
FLSTSI Heritage Springer F/I	88 CI	HD-1499	KN-171C
FLTR Road Glide	88 CI		KN-171C
FLTRI Road Glide F/I	88 CI	HD-1499	KN-171C
FXD Dyna Super Glide	88 CI	HD-1499	KN-171C
FXDL Dyna Low Rider	88 CI	HD-1499	KN-171C
FXDWG Dyna Wide Glide	88 CI	HD-1499	KN-171C
FXDX Dyna Super Glide Sport	88 CI	HD-1499	KN-171C
FXDXT Dyna Super Glide T-Sport	88 CI	HD-1499	KN-171C
FXST Softail Standard	88 CI	HD-1499	KN-171C
FXSTB Night Train F/I	88 CI	HD-1499	KN-171C
FXSTBI Night Train F/I	88 CI	HD-1499	KN-171C
FXSTD Softail Deuce F/I	88 CI	HD-1499	KN-171C
FXSTDI Softail Deuce F/I	88 CI	HD-1499	KN-171C
FXSTDSE Screamin Eagle Softail Deuce	95 CI		KN-171C
FXSTI Softail Standard F/I	88 CI	HD-1499	KN-171C
FXSTS Springer Softail	88 CI	HD-1499	KN-171C
FXSTSI Springer Softail F/I	88 CI	HD-1499	KN-171C
VRSCA V-Rod	69 CI	HD-1102	KN-174C
XL883C Sportster Custom	54 CI	HD-1388	KN-170C
XL883R Sportster Custom	54 CI	HD-1388	KN-170C
XL1200C Sportster Custom	74 CI	HD-1388	KN-170C
XL1200R Sportster Custom	74 CI	HD-1388	KN-170C
XL1200S Sportster Sport	74 CI	HD-1388	KN-170C
XLH883 Sportster Custom	54 CI	HD-1388	KN-170C
XLH883 Sportster Custom	54 CI	HD-1388	KN-170C
XLH883 Sportster Huggie	54 CI	HD-1388	KN-170C
XLH1200 Sportster	73 CI	HD-1388	KN-170C

2002 HARLEY DAVIDSON			
FLHR Road King Classic F/I	88 CI	HD-1499	KN-171C
FLHRCI Road King Classic F/I	88 CI	HD-1499	KN-171C
FLHRI Road King F/I	88 CI	HD-1499	KN-171C
FLHT Electra Glide Standard	88 CI	HD-1499	KN-171C
FLHTC Electra Glide Classic	88 CI	HD-1499	KN-171C
FLHTCI Electra Glide Classic F/I	88 CI	HD-1499	KN-171C
FLHTCUI Electra Glide Ultra Classic F/I	88 CI	HD-1499	KN-171C
FLSTC Heritage Softail Classic	88 CI	HD-1499	KN-171C
FLSTCI Heritage Softail Classic F/I	88 CI	HD-1499	KN-171C

* 2 filters required ♦ Intake System Available - see page 81 +Cabin Air Filter Available - see page 453 1- Pro Series Filter Available

HARLEY DAVIDSON

AIR & OIL FILTERS

Vehicle	Engine Type	Air Filter	Oil Filter	Vehicle	Engine Type	Air Filter	Oil Filter
2002 HARLEY DAVIDSON				2001 HARLEY DAVIDSON			
FLSTF Fat Boy	88 CI	HD-1499	KN-171C	FLSTS Heritage	88 CI		KN-171C
FLSTFI Fat Boy F/I	88 CI	HD-1499	KN-171C	Springer			
FLSTS Heritage	88 CI		KN-171C	FLSTSI Heritage	88 CI		KN-171C
Springer				Springer F/I			
FLSTSI Heritage	88 CI	HD-1499	KN-171C	FLTR Road Glide	88 CI	HD-1499	KN-171C
Springer F/I				FLTRI Road Glide F/I	88 CI	HD-8899	KN-171C
FLTR Road Glide	88 CI	HD-1499	KN-171C	FLTRSEI2 Screamin	95 CI	HD-0800	KN-171C
FLTRI Road Glide F/I	88 CI	HD-1499	KN-171C	Eagle Road Glide 2			
FXD Dyna Super	88 CI	HD-1499	KN-171C	F/I			
Glide				FXD Dyna Super	88 CI	HD-1499	KN-171C
FXDL Dyna Low	88 CI	HD-1499	KN-171C	Glide			
Rider				FXDL Dyna Low	88 CI	HD-1499	KN-171C
FXDWG Dyna Wide	88 CI	HD-1499	KN-171C	Rider			
Glide				FXDWG Dyna Wide	88 CI	HD-1499	KN-171C
FXDX Dyna Super	88 CI	HD-1499	KN-171C	Glide			
Glide Sport				FXDX Dyna Super	88 CI	HD-1499	KN-171C
FXDXT Dyna Super	88 CI	HD-1499	KN-171C	Glide Sport			
Glide T-Sport				FXDXT Dyna Super	88 CI	HD-1499	KN-171C
FXST Softail	88 CI	HD-1499	KN-171C	Glide T-Sport			
Standard				FXST Softail	88 CI	HD-1499	KN-171C
FXSTB Night Train	88 CI	HD-1499	KN-171C	Standard			
FXSTBI Night Train	88 CI	HD-1499	KN-171C	FXSTB Night Train	88 CI	HD-1499	KN-171C
F/I				FXSTBI Night Train	88 CI	HD-1499	KN-171C
FXSTD Softail Deuce	88 CI	HD-1499	KN-171C	F/I			
FXSTDI Softail Deuce	88 CI	HD-1499	KN-171C	FXSTD Softail Deuce	88 CI	HD-1499	KN-171C
F/I				FXSTDI Softail Deuce	88 CI	HD-1499	KN-171C
FXSTI Softail	88 CI	HD-1499	KN-171C	F/I			
Standard F/I				FXSTI Softail	88 CI	HD-1499	KN-171C
FXSTS Springer	88 CI	HD-1499	KN-171C	Standard F/I			
Softail				FXSTS Springer	88 CI		KN-171C
FXSTSI Springer	88 CI		KN-171C	Softail			
Softail F/I				FXSTSI Springer	88 CI		KN-171C
VRSCA V-Rod	69 CI	HD-1102	KN-174C	Softail F/I			
XL883C Sportster	54 CI	HD-1388	KN-170C	XL1200C Sportster	74 CI	HD-1388	KN-170C
Custom				Custom			
XL883R Sportster	54 CI	HD-1388	KN-170C	XL1200S Sportster	74 CI	HD-1388	KN-170C
XL1200C Sportster	74 CI	HD-1388	KN-170C	Sport			
Custom				XLH883 Sportster	54 CI	HD-1388	KN-170C
XL1200S Sportster	74 CI	HD-1388	KN-170C	XLH883 Sportster	54 CI	HD-1388	KN-170C
Sport				Custom			
XLH883 Sportster	54 CI	HD-1388	KN-170C	XLH883 Sportster	54 CI	HD-1388	KN-170C
XLH883 Sportster	54 CI	HD-1388	KN-170C	Hugger			
Custom				XLH1200 Sportster	74 CI	HD-1388	KN-170C
XLH883 Sportster	54 CI	HD-1388	KN-170C				
Hugger				2000 HARLEY DAVIDSON			
XLH1200 Sportster	74 CI	HD-1388	KN-170C	FLHR Road King	88 CI	HD-1499	KN-171C
				FLHRCI Road King	88 CI	HD-8899	KN-171C
2001 HARLEY DAVIDSON				Classic F/I			
FLHR Road King	88 CI	HD-1499	KN-171C	FLHRI Electra Glide	88 CI	HD-8899	KN-171C
FLHRCI Road King	88 CI	HD-8899	KN-171C	Road King F/I			
Classic F/I				FLHRI Road King F/I	88 CI	HD-8899	
FLHRI Electra Glide	88 CI	HD-8899	KN-171C	FLHT Electra Glide	88 CI	HD-1499	KN-171C
Road King F/I				Standard			
FLHRI Road King F/I	88 CI	HD-8899	KN-171C	FLHTC Electra Glide	88 CI	HD-1499	KN-171C
FLHT Electra Glide	82 CI		KN-171C	Classic			
FLHT Electra Glide	88 CI	HD-1499	KN-171C	FLHTCI Electra Glide	88 CI	HD-8899	KN-171C
Standard				Classic F/I			
FLHTC Electra Glide	88 CI	HD-1499	KN-171C	FLHTCUI Electra	88 CI	HD-8899	KN-171C
Classic				Glide Ultra Classic F/I			
FLHTCI Electra Glide	88 CI	HD-8899	KN-171C	FLSTC Heritage	88 CI	HD-1499	KN-171C
Classic F/I				Softail Classic			
FLHTCUI Electra	88 CI	HD-8899	KN-171C	FLSTF Fat Boy	88 CI	HD-1499	KN-171C
Glide Ultra Classic F/I				FLSTS Heritage	88 CI	HD-1499	KN-171C
FLSTC Heritage	88 CI	HD-1499	KN-171C	Springer			
Softail Classic				FLTR Road Glide	88 CI	HD-1499	KN-171C
FLSTCI Heritage	88 CI	HD-8899	KN-171C	FLTRI Road Glide F/I	88 CI	HD-8899	KN-171C
Softail Classic F/I				FXD Dyna Super	88 CI	HD-1499	KN-171C
FLSTF Fat Boy	88 CI	HD-1499	KN-171C	Glide			
FLSTFI Fat Boy F/I	88 CI	HD-1499	KN-171C				

* 2 filters required ♦ Intake System Available - see page 81 +Cabin Air Filter Available - see page 453 1- Pro Series Filter Available

AIR & OIL FILTERS

HARLEY DAVIDSON

Vehicle	Engine Type	Air Filter	Oil Filter	Vehicle	Engine Type	Air Filter	Oil Filter
2000 HARLEY DAVIDSON				1999 HARLEY DAVIDSON			
FXDL Dyna Low Rider	88 CI	HD-1499	KN-171C	FXSTC Softail Custom - Non-US	82 CI	HD-1396	
FXDS Dyna Convertible	88 CI		KN-171C	FXSTS Springer Softail	82 CI	HD-1390	KN-170C
FXDWG Dyna Wide Glide	88 CI	HD-1499	KN-171C	FXSTS Springer Softail - Non-US	82 CI	HD-1396	
FXDWG2	88 CI		KN-171C	XL1200C Sportster Custom	74 CI	HD-1388	KN-170C
FXDX Dyna Super Glide Sport	88 CI	HD-1499	KN-171C	XL1200S Sportster Sport	74 CI	HD-1388	KN-170C
FXST Softail Standard	88 CI	HD-1499	KN-171C	XLH883 Sportster	54 CI	HD-1388	KN-170C
FXSTB Night Train	88 CI	HD-1499	KN-171C	XLH883 Sportster Custom	54 CI	HD-1388	KN-170C
FXSTC Softail Custom	82 CI		KN-171C	XLH883 Sportster Huggler	54 CI	HD-1388	KN-170C
FXSTD Softail Deuce	88 CI	HD-1499	KN-171C	XLH1200 Sportster	74 CI	HD-1388	KN-170C
FXSTS Springer Softail	88 CI	HD-1499	KN-171C	1998 HARLEY DAVIDSON			
XL1200C Sportster Custom	74 CI	HD-1388	KN-170C	FLHR Road King	82 CI	HD-1390	KN-170C
XL1200S Sportster Sport	74 CI	HD-1388	KN-170C	FLHRI Electra Glide Road King F/I	82 CI	HD-1395	
XLH883 Sportster	54 CI	HD-1388	KN-170C	FLHT Electra Glide	82 CI		KN-170C
XLH883 Sportster Custom	54 CI	HD-1388	KN-170C	FLHT Electra Glide - Non-US	82 CI	HD-1396	
XLH883 Sportster Huggler	54 CI	HD-1388	KN-170C	FLHT Electra Glide Standard	82 CI	HD-1390	KN-170C
XLH883R Sportster Flat Track	54 CI		KN-170C	FLHTC Electra Glide Classic	82 CI	HD-1390	KN-170C
XLH1200 Sportster	74 CI	HD-1388	KN-170C	FLHTC Electra Glide Classic - Non-US	82 CI	HD-1396	
1999 HARLEY DAVIDSON				FLHTCI Electra Glide Classic F/I	82 CI	HD-1395	KN-170C
FLHR Road King	88 CI	HD-1499	KN-171C	FLHTCUI Electra Glide Ultra Classic F/I	82 CI	HD-1395	KN-170C
FLHRCI Road King Classic F/I	88 CI	HD-8899	KN-171C	FLSTC Heritage Softail Classic	82 CI	HD-1390	KN-170C
FLHT Electra Glide Standard	88 CI	HD-1499	KN-171C	FLSTC Heritage Softail Classic - Non-US	82 CI	HD-1396	
FLHTC Electra Glide Classic	88 CI	HD-1499	KN-171C	FLSTF Fat Boy	82 CI	HD-1390	KN-170C
FLHTCI Electra Glide Classic F/I	88 CI	HD-8899	KN-171C	FLSTF Fat Boy - Non-US	82 CI	HD-1396	
FLHTCUI Electra Glide Ultra Classic F/I	88 CI	HD-8899	KN-171C	FLSTN Heritage Softail Special	82 CI		KN-170C
FLSTC Heritage Softail Classic	82 CI	HD-1390	KN-170C	FLSTS Heritage Springer	82 CI	HD-1390	KN-170C
FLSTC Heritage Softail Classic - Non-US	82 CI	HD-1396		FLTR Road Glide	82 CI	HD-1390	KN-170C
FLSTF Fat Boy	82 CI	HD-1390	KN-170C	FLTRI Road Glide F/I	82 CI	HD-1395	KN-170C
FLSTF Fat Boy - Non-US	82 CI	HD-1396		FXD Dyna Super Glide	82 CI	HD-1390	KN-173C
FLSTS Heritage Springer	82 CI	HD-1390	KN-170C	FXD Dyna Super Glide - Non-US	82 CI	HD-1396	
FLTR Road Glide	88 CI	HD-1499	KN-171C	FXDL Dyna Low Rider	82 CI	HD-1390	KN-173C
FLTRI Road Glide F/I	88 CI		KN-171C	FXDL Dyna Low Rider - Non-US	82 CI	HD-1396	
FXD Dyna Super Glide	88 CI	HD-1499	KN-171C	FXDS Dyna Convertible	82 CI	HD-1390	KN-173C
FXDL Dyna Low Rider	88 CI	HD-1499	KN-171C	FXDS Dyna Convertible - Non-US	82 CI	HD-1396	
FXDS Dyna Convertible	88 CI	HD-1499	KN-171C	FXDWG Dyna Wide Glide	82 CI	HD-1390	KN-173C
FXDWG Dyna Wide Glide	88 CI	HD-1499	KN-171C	FXDWG Dyna Wide Glide - Non-US	82 CI	HD-1396	
FXDX Dyna Super Glide Sport	88 CI	HD-1499	KN-171C	FXSTC Softail Custom	82 CI	HD-1390	KN-170C
FXST Softail Standard	82 CI	HD-1390		FXSTC Softail Custom - Non-US	82 CI	HD-1396	
FXSTB Night Train	82 CI	HD-1390	KN-170C	FXSTS Springer Softail	82 CI	HD-1390	KN-170C
FXSTC Softail Custom	82 CI	HD-1390	KN-170C				

* 2 filters required ♦ Intake System Available - see page 81 +Cabin Air Filter Available - see page 453 1- Pro Series Filter Available

HARLEY DAVIDSON

AIR & OIL FILTERS

Vehicle	Engine Type	Air Filter	Oil Filter
1998 HARLEY DAVIDSON			
FXSTS Springer Softail - Non-US	82 CI	HD-1396	
XL1200C Sportster Custom	74 CI	HD-1388	KN-170C
XL1200S Sportster Sport	74 CI	HD-1388	KN-170C
XLH883 Sportster	54 CI	HD-1388	KN-170C
XLH883 Sportster Hugger	54 CI	HD-1388	KN-170C
XLH1200 Sportster	74 CI	HD-1388	KN-170C

Vehicle	Engine Type	Air Filter	Oil Filter
1997 HARLEY DAVIDSON			
FLHR Road King	82 CI	HD-1390	KN-170C
FLHR Road King - Non-US	82 CI	HD-1396	
FLHRI Electra Glide Road King F/I	82 CI	HD-1395	
FLHT Electra Glide	82 CI		KN-170C
FLHT Electra Glide - Non-US	82 CI	HD-1396	
FLHT Electra Glide Standard	82 CI	HD-1390	KN-170C
FLHTC Electra Glide Classic	82 CI	HD-1390	KN-170C
FLHTC Electra Glide Classic - Non-US	82 CI	HD-1396	
FLHTCI Electra Glide Classic F/I	82 CI	HD-1395	KN-170C
FLHTCU Electra Glide Ultra Classic	82 CI	HD-1390	KN-170C
FLHTCU Electra Glide Ultra Classic - Non-US	82 CI	HD-1396	
FLHTCUI Electra Glide Ultra Classic F/I	82 CI	HD-1395	KN-170C
FLSTC Heritage Softail Classic	82 CI	HD-1390	KN-170C
FLSTC Heritage Softail Classic - Non-US	82 CI	HD-1396	
FLSTF Fat Boy	82 CI	HD-1390	KN-170C
FLSTF Fat Boy - Non-US	82 CI	HD-1396	
FLSTN Heritage Softail Special	82 CI		KN-170C
FLSTS Heritage Springer	82 CI	HD-1390	KN-170C
FLSTS Softail - Non-US	82 CI	HD-1396	
FXD Dyna Super Glide	82 CI	HD-1390	KN-173C
FXD Dyna Super Glide - Non-US	82 CI	HD-1396	
FXDL Dyna Low Rider	82 CI	HD-1390	KN-173C
FXDL Dyna Low Rider - Non-US	82 CI	HD-1396	
FXDS Dyna Convertible	82 CI	HD-1390	KN-173C
FXDS Dyna Convertible - Non-US	82 CI	HD-1396	
FXDWG Dyna Wide Glide	82 CI	HD-1390	KN-173C
FXDWG Dyna Wide Glide - Non-US	82 CI	HD-1396	
FXSTC Softail Custom	82 CI	HD-1390	KN-170C
FXSTC Softail Custom - Non-US	82 CI	HD-1396	

Vehicle	Engine Type	Air Filter	Oil Filter
1997 HARLEY DAVIDSON			
FXSTS Springer Softail	82 CI	HD-1390	KN-170C
FXSTS Springer Softail - Non-US	82 CI	HD-1396	
XL1200C Sportster Custom	74 CI	HD-1388	KN-170C
XL1200S Sportster Sport	74 CI	HD-1388	KN-170C
XLH883 Sportster	54 CI	HD-1388	KN-170C
XLH883 Sportster Hugger	54 CI	HD-1388	KN-170C
XLH1200 Sportster	74 CI	HD-1388	KN-170C

Vehicle	Engine Type	Air Filter	Oil Filter
1996 HARLEY DAVIDSON			
FLHR Road King	82 CI	HD-1390	KN-170C
FLHR Road King - Non-US	82 CI	HD-1396	
FLHRI Electra Glide Road King F/I	82 CI	HD-1395	KN-171C
FLHT Electra Glide	82 CI		KN-170C
FLHT Electra Glide - Non-US	82 CI	HD-1396	
FLHT Electra Glide Standard	82 CI	HD-1390	KN-170C
FLHTC Electra Glide Classic	82 CI	HD-1390	KN-170C
FLHTC Electra Glide Classic - Non-US	82 CI	HD-1396	
FLHTCI Electra Glide Classic F/I	82 CI	HD-1395	KN-170C
FLHTCU Electra Glide Ultra Classic	82 CI	HD-1390	KN-170C
FLHTCU Electra Glide Ultra Classic - Non-US	82 CI	HD-1396	
FLHTCUI Electra Glide Ultra Classic F/I	82 CI	HD-1395	KN-170C
FLSTC Heritage Softail Classic	82 CI	HD-1390	KN-170C
FLSTC Heritage Softail Classic - Non-US	82 CI	HD-1396	
FLSTF Fat Boy	82 CI	HD-1390	KN-170C
FLSTF Fat Boy - Non-US	82 CI	HD-1396	
FLSTN Heritage Softail Special	82 CI	HD-1390	KN-170C
FLSTN Heritage Softail Special - Non-US	82 CI	HD-1396	
FLTCUI Ultra Tour Glide Classic F/I	82 CI	HD-1395	
FXD Dyna Super Glide	82 CI	HD-1390	KN-173C
FXD Dyna Super Glide - Non-US	82 CI	HD-1396	
FXDL Dyna Low Rider	82 CI	HD-1390	KN-173C
FXDL Dyna Low Rider - Non-US	82 CI	HD-1396	
FXDS Dyna Convertible	82 CI	HD-1390	KN-173C
FXDS Dyna Convertible - Non-US	82 CI	HD-1396	
FXDWG Dyna Wide Glide	82 CI	HD-1390	KN-173C
FXDWG Dyna Wide Glide - Non-US	82 CI	HD-1396	
FXSTC Softail Custom	82 CI	HD-1390	KN-170C
FXSTC Softail Custom	82 CI	HD-1390	KN-170C

* 2 filters required ♦ Intake System Available - see page 81 +Cabin Air Filter Available - see page 453 1- Pro Series Filter Available

AIR & OIL FILTERS

HARLEY DAVIDSON

Vehicle	Engine Type	Air Filter	Oil Filter	Vehicle	Engine Type	Air Filter	Oil Filter
1996 HARLEY DAVIDSON				1995 HARLEY DAVIDSON			
FXSTC Softail Custom - Non-US	82 CI	HD-1396		XLH883 Sportster Deluxe	54 CI	HD-1388	KN-170C
FXSTS Springer Softail	82 CI	HD-1390	KN-170C	XLH883 Sportster Hugger	54 CI	HD-1388	KN-170C
FXSTS Springer Softail - Non-US	82 CI	HD-1396		XLH1200 Sportster	74 CI	HD-1388	KN-170C
FXSTSB Bad Boy	82 CI	HD-1390	KN-170C	1994 HARLEY DAVIDSON			
FXSTSB Bad Boy - Non-US	82 CI	HD-1396		FLHTC Electra Glide Classic	82 CI	HD-1390	KN-170C
XL1200C Sportster Custom	74 CI	HD-1388	KN-170C	FLHTCU Electra Glide Ultra Classic	82 CI	HD-1390	KN-170C
XL1200S Sportster Sport	74 CI	HD-1388	KN-170C	FLSTC Heritage Softail Classic	82 CI	HD-1390	KN-170C
XLH883 Sportster	54 CI	HD-1388	KN-170C	FLSTF Fat Boy	82 CI	HD-1390	KN-170C
XLH883 Sportster Hugger	54 CI	HD-1388	KN-170C	FLSTN Heritage Softail Nostalgia	82 CI	HD-1390	KN-170C
XLH1200 Sportster	74 CI	HD-1388	KN-170C	FLSTN Heritage Softail Special	82 CI		KN-170C
1995 HARLEY DAVIDSON				FXDL Dyna Low Rider	82 CI	HD-1390	KN-173C
FLHR Road King	82 CI	HD-1390		FXDWG Dyna Wide Glide	82 CI	HD-1390	KN-173C
FLHR Road King - Non-US	82 CI	HD-1396		FXLR Low Rider Custom	82 CI	HD-1390	KN-170C
FLHT Electra Glide Standard	82 CI	HD-1390	KN-170C	FXR Super Glide	82 CI		KN-170C
FLHTC Electra Glide Classic	82 CI	HD-1390	KN-170C	FXRS Low Rider	82 CI		KN-170C
FLHTC Electra Glide Classic - Non-US	82 CI	HD-1396		FXRS Low Rider Conv.	82 CI		KN-170C
FLHTCI Ultra Classic Electra Glide Annv.	82 CI	HD-1395		FXSTC Softail Custom	82 CI	HD-1390	KN-170C
FLHTCU Electra Glide Ultra Classic	82 CI	HD-1390	KN-170C	FXSTS Springer Softail	82 CI	HD-1390	KN-170C
FLHTCU Electra Glide Ultra Classic - Non-US	82 CI	HD-1396		XLH883 Sportster Deluxe	54 CI	HD-1388	KN-170C
FLHTCUI Electra Glide Ultra Classic F/	82 CI		KN-170C	XLH883 Sportster Hugger	54 CI	HD-1388	KN-170C
FLSTC Heritage Softail Classic	82 CI	HD-1390	KN-170C	XLH1200 Sportster	74 CI	HD-1388	KN-170C
FLSTC Heritage Softail Classic - Non-US	82 CI	HD-1396		1993 HARLEY DAVIDSON			
FLSTF Fat Boy	82 CI	HD-1390	KN-170C	FLHS Electra Glide Sport	82 CI	HD-1390	KN-170C
FLSTF Fat Boy - Non-US	82 CI	HD-1396		FLHTC Electra Glide Classic	82 CI	HD-1390	KN-170C
FLSTN Heritage Softail Nostalgia	82 CI	HD-1390		FLHTCU Electra Glide Ultra Classic	82 CI	HD-1390	KN-170C
FLSTN Heritage Softail Special	82 CI		KN-170C	FLHTCU Electra Glide Ultra Classic Annv.	82 CI	HD-1390	KN-170C
FXD Dyna Super Glide	82 CI	HD-1390		FLSTC Heritage Softail Classic	82 CI	HD-1390	KN-170C
FXD Dyna Super Glide - Non-US	82 CI	HD-1396		FLSTF Fat Boy	82 CI	HD-1390	KN-170C
FXDL Dyna Low Rider	82 CI	HD-1390	KN-173C	FLSTN Heritage Softail Nostalgia	82 CI	HD-1390	KN-170C
FXDL Dyna Low Rider - Non-US	82 CI	HD-1396		FXDL Dyna Low Rider	82 CI	HD-1390	KN-173C
FXDS Dyna Low Rider Conv.	82 CI	HD-1390		FXDWG Dyna Wide Glide	82 CI	HD-1390	KN-173C
FXDWG Dyna Wide Glide	82 CI	HD-1390	KN-173C	FXR Super Glide	82 CI	HD-1390	KN-170C
FXDWG Dyna Wide Glide - Non-US	82 CI	HD-1396		FXRS Low Rider Conv.	82 CI	HD-1390	KN-170C
FXSTC Softail Custom	82 CI	HD-1390	KN-170C	FXSTC Softail Custom	82 CI	HD-1390	KN-170C
FXSTC Softail Custom - Non-US	82 CI	HD-1396		FXSTS Springer Softail	82 CI	HD-1390	KN-170C
FXSTS Springer Softail	82 CI		KN-170C	XLH883 Sportster	54 CI	HD-1388	KN-170C
XLH883 Sportster	54 CI	HD-1388	KN-170C	XLH883 Sportster Deluxe	54 CI	HD-1388	KN-170C
				XLH883 Sportster Hugger	54 CI	HD-1388	KN-170C

* 2 filters required ♦ Intake System Available - see page 81 +Cabin Air Filter Available - see page 453 1- Pro Series Filter Available

HARLEY DAVIDSON

AIR & OIL FILTERS

Vehicle	Engine Type	Air Filter	Oil Filter
---------	-------------	------------	------------

1993 HARLEY DAVIDSON

XLH1200 Sportster	74 CI	HD-1388	KN-170C
-------------------	-------	---------	---------

1992 HARLEY DAVIDSON

FLHS Electra Glide Sport	82 CI	HD-1390	KN-170C
FLHTC Electra Glide Classic	82 CI	HD-1390	KN-170C
FLHTCU Electra Glide Ultra Classic	82 CI	HD-1390	KN-170C
FLSTC Heritage Softail Classic	82 CI	HD-1390	KN-170C
FLSTF Fat Boy	82 CI	HD-1390	KN-170C
FXDB Dyna Glide Daytona	82 CI		KN-173C
FXDC Dyna Glide Custom	82 CI	HD-1390	KN-173C
FXR Super Glide	82 CI	HD-1390	KN-170C
FXRS Low Rider	82 CI	HD-1390	KN-170C
FXRS Low Rider Conv.	82 CI	HD-1390	KN-170C
FXSTC Softail Custom	82 CI	HD-1390	KN-170C
FXSTS Springer Softail	82 CI	HD-1390	KN-170C
XLH883 Sportster	54 CI	HD-1388	KN-170C
XLH883 Sportster Deluxe	54 CI	HD-1388	KN-170C
XLH883 Sportster Hugger	54 CI	HD-1388	KN-170C
XLH1200 Sportster	74 CI	HD-1388	KN-170C

1991 HARLEY DAVIDSON

FLHTC Electra Glide Classic	82 CI	HD-1390	KN-170C
FLHTCU Electra Glide Ultra Classic	82 CI	HD-1390	KN-170C
FLSTC Heritage Softail Classic	82 CI	HD-1390	KN-170C
FLSTF Fat Boy	82 CI	HD-1390	KN-170C
FXR Super Glide	82 CI		KN-170C
FXRS Low Rider Conv.	82 CI		KN-170C
FXSTC Softail Custom	82 CI	HD-1390	KN-170C
FXSTS Springer Softail	82 CI	HD-1390	KN-170C
XLH883 Sportster	54 CI	HD-1388	KN-170C
XLH883 Sportster Deluxe	54 CI	HD-1388	KN-170C
XLH883 Sportster Hugger	54 CI	HD-1388	KN-170C
XLH1200 Sportster	74 CI	HD-1388	KN-170C

1990 HARLEY DAVIDSON

FLHS Electra Glide Sport	82 CI		KN-170C
FLHTC Electra Glide Classic	82 CI	HD-1390	KN-170C
FLHTCU Electra Glide Ultra Classic	82 CI	HD-1390	KN-170C
FLST Heritage Softail	82 CI		KN-170C
FLSTC Heritage Softail Classic	82 CI	HD-1390	KN-170C
FLSTF Fat Boy	82 CI	HD-1390	KN-170C
FLTC Tour Glide Classic	82 CI		KN-170C
FXLR Low Rider Custom	82 CI		KN-170C
FXR Super Glide	82 CI	HD-1390	KN-170C
FXRS Low Rider	82 CI	HD-1390	KN-170C

Vehicle	Engine Type	Air Filter	Oil Filter
---------	-------------	------------	------------

1990 HARLEY DAVIDSON

FXRS Low Rider Conv.	82 CI	HD-1390	KN-170C
FXST Softail	82 CI		KN-170C
FXSTC Softail Custom	82 CI	HD-1390	KN-170C
FXSTS Springer Softail	82 CI	HD-1390	KN-170C
XLH883 Sportster	54 CI	HD-1388	KN-170C
XLH883 Sportster Deluxe	54 CI	HD-1388	KN-170C
XLH883 Sportster Hugger	54 CI	HD-1388	KN-170C
XLH1200 Sportster	74 CI	HD-1388	KN-170C

1989 HARLEY DAVIDSON

FLHS Electra Glide Sport	82 CI		KN-170C
FLHT Electra Glide	82 CI		KN-170C
FLHTC Electra Glide Classic	82 CI	HD-2086	KN-170C
FLHTCU Electra Glide Ultra Classic	82 CI	HD-2086	KN-170C
FLSTC Heritage Softail Classic	82 CI	HD-2086	KN-170C
FXR Super Glide	82 CI		KN-170C
FXRS Low Rider	82 CI		KN-170C
FXRS Low Rider Conv.	82 CI	HD-2086	
FXST Softail	82 CI	HD-2086	KN-170C
FXSTC Softail Custom	82 CI	HD-2086	KN-170C
XLH883 Sportster	54 CI	HD-1388	KN-170C
XLH883 Sportster Deluxe	54 CI	HD-1388	KN-170C
XLH883 Sportster Hugger	54 CI	HD-1388	KN-170C
XLH1200 Sportster	74 CI	HD-1388	KN-170C

1988 HARLEY DAVIDSON

FLHT Electra Glide	82 CI		KN-170C
FLHTC Electra Glide Classic	82 CI	HD-2086	KN-170C
FLST Heritage Softail	82 CI		KN-170C
FLSTC Heritage Softail Classic	82 CI	HD-2086	KN-170C
FXR Super Glide	82 CI		KN-170C
FXRS Low Rider	82 CI	HD-2086	KN-170C
FXRS Low Rider Sport	82 CI	HD-2086	
FXSTC Softail Custom	82 CI	HD-2086	KN-170C
XLH883 Sportster	54 CI	HD-1388	KN-170C
XLH883 Sportster Deluxe	54 CI	HD-1388	KN-170C
XLH883 Sportster Hugger	54 CI	HD-1388	KN-170C
XLH1200 Sportster	74 CI	HD-1388	KN-170C

1987 HARLEY DAVIDSON

FLHTC Electra Glide Classic	82 CI	HD-2086	KN-170C
FLST Heritage Softail	82 CI		KN-170C
FXR Super Glide	82 CI		KN-170C
FXST Softail	82 CI	HD-2086	KN-170C
FXSTC Softail Custom	82 CI	HD-2086	KN-170C
XLH883 Sportster	54 CI	HD-2085	KN-170C
XLH883 Sportster Deluxe	54 CI	HD-2085	KN-170C

* 2 filters required ♦ Intake System Available - see page 81 +Cabin Air Filter Available - see page 453 1- Pro Series Filter Available

AIR & OIL FILTERS

HARLEY DAVIDSON

Vehicle	Engine Type	Air Filter	Oil Filter
---------	-------------	------------	------------

1987 HARLEY DAVIDSON

XLH883 Sportster Hugger F/I	54 CI	HD-2085	KN-170C
XLH1100 Sportster	67 CI	HD-2085	KN-170C

1986 HARLEY DAVIDSON

FLHTC Electra Glide Classic	82 CI		KN-170C
FLST Heritage Softail	82 CI	HD-2086	
FXR Super Glide	82 CI	HD-2086	KN-170C
FXRS Low Rider	82 CI	HD-2086	
FXRS Low Rider Sport	82 CI	HD-2086	
FXSTC Softail Custom	82 CI	HD-2086	
FXWG Wide Glide	82 CI		KN-172C
XLH883 Sportster	54 CI	HD-2085	KN-170C
XLH883 Sportster Deluxe	54 CI	HD-2085	KN-170C
XLH1000 Sportster	61 CI		KN-170C
XLH1100 Sportster	67 CI	HD-2085	KN-170C

1985 HARLEY DAVIDSON

FLHT Electra Glide	82 CI		KN-170C
FLHTC Electra Glide Classic	82 CI		KN-170C
FLSTC Heritage Softail Classic	82 CI		KN-170C
FLTC Tour Glide Classic	82 CI		KN-170C
FXEF Super Glide Fat Bob	82 CI		KN-172C
FXR Super Glide	82 CI		KN-170C
FXRS Low Glide	82 CI	HD-2084	
FXSB Low Rider	82 CI	HD-2084	
FXST Softail	82 CI	HD-2084	KN-170C
FXWG Wide Glide	82 CI	HD-2084	KN-172C
XLH1000 Sportster	61 CI	HD-2076	

1984 HARLEY DAVIDSON

FLH Electra Glide	82 CI	HD-2084	KN-172C
FLH Electra Glide Special	82 CI	HD-2084	
FLHT Electra Glide	82 CI - from late 1984		KN-170C
FLHTC Electra Glide Classic	82 CI		KN-170C
FLTC Tour Glide Classic	82 CI		KN-170C
FXE Super Glide	82 CI		KN-172C
FXR Super Glide	82 CI		KN-170C
FXRS Low Glide	82 CI	HD-2084	
FXRT Sport Glide	82 CI		KN-170C
FXSB Low Rider	82 CI	HD-2084	
FXST Softail	82 CI	HD-2084	KN-170C
FXWG Wide Glide	82 CI		KN-172C
XLH1000 Sportster	61 CI	HD-2076	
XR1000 Cafe Racer	61 CI - Req Both Filters, w/o Vent	RU-1370	
XR1000 Cafe Racer	61 CI - Req Both Filters, w/Vent	RU-1371	

1983 HARLEY DAVIDSON

FLH Electra Glide	82 CI	HD-2078	KN-172C
FXRS Low Glide	82 CI		KN-170C
FXWG Wide Glide	82 CI		KN-172C
XLH1000 Sportster	61 CI	HD-2076	
XLS1000 Roadster	61 CI		KN-172C
XR1000 Cafe Racer	61 CI - Req Both Filters, w/o Vent	RU-1370	

Vehicle	Engine Type	Air Filter	Oil Filter
---------	-------------	------------	------------

1983 HARLEY DAVIDSON

XR1000 Cafe Racer	61 CI - Req Both Filters, w/Vent	RU-1371	
-------------------	----------------------------------	---------	--

1982 HARLEY DAVIDSON

FLH Electra Glide	82 CI	HD-2078	KN-172C
FXB Sturgis	82 CI		KN-173C
FXE Super Glide	82 CI		KN-172C
FXR Super Glide II	82 CI		KN-170C
XLH1000 Sportster	61 CI	HD-2078	
XLHA Sportster Annv.	61 CI	HD-2078	
XLS1000 Roadster	61 CI		KN-172C

1981 HARLEY DAVIDSON

FXS Low Rider	82 CI	HD-2078	
XLH1000 Sportster	61 CI	HD-2078	

1980 HARLEY DAVIDSON

FLH Electra Glide	74 CI	HD-2078	
FLH Electra Glide Classic	82 CI	HD-2078	
FLT80 Tour Glide	82 CI	HD-2078	KN-170C
XLH1000 Sportster	61 CI	HD-2078	
XLH1100 Sportster	67 CI		KN-172C
XLS1000 Roadster	61 CI		KN-172C

1979 HARLEY DAVIDSON

FLH Electra Glide	74 CI	HD-2078	KN-178
FLH Electra Glide Classic	82 CI	HD-2078	
FXE Super Glide	74 CI	HD-2078	
XLH1000 Sportster	61 CI	HD-2078	

1978 HARLEY DAVIDSON

FLH Electra Glide	74 CI	HD-2075	KN-178
FXE Super Glide	74 CI - Early Models	HD-2076	
FXE Super Glide	74 CI - Late Models	HD-2078	
FXS Low Rider	74 CI	HD-2076	
XLCH1000 Sportster	61 CI	HD-2076	
XLH1000 Sportster	61 CI	HD-2076	

1977 HARLEY DAVIDSON

FLH Electra Glide	74 CI	HD-2075	KN-178
FLH Electra Glide Classic	74 CI	HD-2075	
FX Super Glide	74 CI	HD-2076	
FXE Super Glide	74 CI	HD-2076	
XLCH1000 Sportster	61 CI	HD-2076	
XLH1000 Sportster	61 CI	HD-2076	KN-178

1976 HARLEY DAVIDSON

FLH Electra Glide	74 CI	HD-2075	KN-178
FXE Super Glide	74 CI	HD-2076	
XLCH1000 Sportster	61 CI	HD-2076	
XLH1000 Sportster	61 CI	HD-2076	KN-178

1975 HARLEY DAVIDSON

FLH Electra Glide	74 CI	HD-0200	KN-178
FX Super Glide	74 CI	HD-0200	
FXE Super Glide	74 CI	HD-0200	
XLCH1000 Sportster	61 CI	HD-2075	KN-178
XLH1000 Sportster	61 CI	HD-2075	

1974 HARLEY DAVIDSON

FLH Electra Glide	74 CI	HD-0200	
-------------------	-------	---------	--

1973 HARLEY DAVIDSON

FX Super Glide	74 CI	HD-0200	
----------------	-------	---------	--

1972 HARLEY DAVIDSON

FLH Electra Glide	74 CI	HD-0200	KN-178
FX Super Glide	74 CI	HD-0200	KN-178

* 2 filters required ♦ Intake System Available - see page 81 +Cabin Air Filter Available - see page 453 1- Pro Series Filter Available

HARLEY DAVIDSON

AIR & OIL FILTERS

Vehicle	Engine Type	Air Filter	Oil Filter
1972 HARLEY DAVIDSON			
Sportster models	61 CI	HD-0200	
XLCH1000 Sportster	61 CI		KN-178
1970 HARLEY DAVIDSON			
Baja 100	100	HD-0300	
1969 HARLEY DAVIDSON			
Sportster models	55 CI	HD-0200	
1967 HARLEY DAVIDSON			
FX 74ci models	74 CI	HD-0200	KN-178
1956 HARLEY DAVIDSON			
74ci V-Twin	74 CI - OHV	E-2470	
1953 HARLEY DAVIDSON			
45ci V-Twin	45 CI - Flat Head	E-2470	
1950 HARLEY DAVIDSON			
45ci V-Twin	45 CI - Flat Head	E-2470	
1947 HARLEY DAVIDSON			
45ci V-Twin	45 CI - Flat Head	E-2470	
1946 HARLEY DAVIDSON			
45ci V-Twin	45 CI - Flat Head	E-2470	
1942 HARLEY DAVIDSON			
45ci V-Twin	45 CI - Flat Head	E-2470	
1941 HARLEY DAVIDSON			
45ci V-Twin	45 CI - Flat Head	E-2470	
2006 HOLDEN			
Commodore	3.6L V6 F/I	33-2919	
Commodore	6.0L V8 F/I	33-2919	
2004 HOLDEN			
Adventra	5.7L V8 F/I	33-2116	
Commodore	3.8L V6 F/I - inc. VT, VX, VY	33-2116	
Commodore	5.0L V8 F/I	33-2116	
Commodore	5.7L V8 F/I	33-2116	
Monaro	5.7L V8 F/I	33-2116	
2003 HOLDEN			
Adventra	5.7L V8 F/I - from 9/03	33-2116	
Commodore	3.8L V6 F/I - inc. VT	33-2116	
Commodore	5.0L V8 F/I	33-2116	
Commodore	5.7L V8 F/I	33-2116	
Monaro	5.7L V8 F/I	33-2116	
2002 HOLDEN			
Commodore	3.8L V6 F/I - inc. VT	33-2116	
Commodore	5.0L V8 F/I	33-2116	
Commodore	5.7L V8 F/I	33-2116	
Monaro	5.7L V8 F/I	33-2116	
2001 HOLDEN			
Commodore	3.8L V6 F/I - inc. VT	33-2116	
Monaro	5.7L V8 F/I	33-2116	
2000 HOLDEN			
Commodore	3.8L V6 F/I - inc. VT	33-2116	
Commodore	5.7L V8 F/I - Non-US	33-2235	
1999 HOLDEN			
Commodore	3.8L V6 F/I - inc. VT	33-2116	
Commodore	5.7L V8 F/I	33-2116	
1998 HOLDEN			
Commodore	3.8L V6 F/I - inc. VT	33-2116	
Commodore	5.0L V8 F/I	33-2116	

Vehicle	Engine Type	Air Filter	Oil Filter
1998 HOLDEN			
Commodore	5.7L V8 F/I	33-2116	
1997 HOLDEN			
Commodore	5.0L V8 F/I	33-2116	
1992 HOLDEN			
Commodore	3.8L V6 F/I	33-2031-2	HP-1007 ¹
2016 HONDA			
Accord	2.4L L4 F/I	33-2498 ♦♦	HP-1010 ¹
Accord	3.5L V6 F/I	33-2499 ♦♦	HP-1010 ¹
Civic	1.5L L4 F/I		HP-1010 ¹
Civic	2.0L L4 F/I		HP-1010 ¹
Civic IX	1.6L L4 DSL	33-3012	
CRF230F	230	HA-1503	
CRF250R	250	HA-4513XD	
CRF450R	449	HA-4513XD	
CR-V	2.4L L4 F/I	33-5031+	HP-1010 ¹
Fit	1.5L L4 F/I	33-5027+	HP-1010 ¹
HR-V	1.5L L4 F/I	33-5027	
HR-V	1.8L L4 F/I	33-5037+	HP-1010 ¹
Odyssey	3.5L V6 F/I	33-2461+	HP-1010 ¹
Pilot	3.5L V6 F/I		HP-1010 ¹
SXS700M4 Pioneer	675	HA-5000	
TRX250X	250	HA-2501	
TRX420FA1 FourTrax Rancher 4x4 AT DCT	420	HA-5000	
TRX420FM1 FourTrax Rancher 4x4	420	HA-5000	
TRX500FA6 FourTrax Foreman Auto DCT EPS	475	HA-6806	
TRX500FE1 FourTrax Foreman 4x4 ES	475	HA-5000	
TRX500FM1 FourTrax Foreman 4x4	475	HA-5000	
TRX500FM5 FourTrax Foreman Rubicon	475	HA-6806	
TRX500FA6D FourTrax Foreman Rubicon Auto DCT EPS D	475	HA-6806	
2015 HONDA			
Accord	2.4L L4 F/I	33-2498 ♦♦	HP-1010 ¹
Accord	3.5L V6 F/I	33-2499 ♦♦	HP-1010 ¹
Accord Hybrid	2.0L L4 F/I	33-5006+	HP-1010 ¹
Accord IX	2.0L L4 F/I	33-3003	
Accord IX	2.4L L4 F/I	33-2430	HP-1010 ¹
CB300F	286	HA-2511	KN-112
CB500F	471	HA-5013	KN-204
CB500F ABS	471	HA-5013	KN-204
CB500X	471	HA-5013	KN-204
CB500X ABS	471	HA-5013	KN-204
CB1000R	998	HA-1009	KN-204
CBR125R	125	HA-1502	
CBR300R	286	HA-2511	KN-112
CBR300R ABS	286	HA-2511	KN-112
CBR500R	471	HA-5013	KN-204
CBR500R ABS	471	HA-5013	KN-204
CBR600RR	599	HA-6007	KN-204
CBR600RR	599 - Race Specific	HA-6007R	KN-204
CBR600RR ABS	599	HA-6007	KN-204
CBR600RR ABS	599 - Race Specific	HA-6007R	KN-204
CBR650F	649	HA-6414	KN-204

* 2 filters required ♦ Intake System Available - see page 81 +Cabin Air Filter Available - see page 453 1- Pro Series Filter Available

AIR & OIL FILTERS

HONDA

Vehicle	Engine Type	Air Filter	Oil Filter	Vehicle	Engine Type	Air Filter	Oil Filter
2015 HONDA				2015 HONDA			
CBR650F ABS	649	HA-6414	KN-204	TRX250X	250	HA-2501	
CBR1000RR	999	HA-1008	KN-204	TRX420FA1 FourTrax	420	HA-5000	KN-114
CBR1000RR	999 - Race Specific	HA-1008R	KN-204	Rancher 4x4 AT DCT			
CBR1000RR ABS	999	HA-1008	KN-204	TRX420FA2 FourTrax	420	HA-5000	KN-114
CBR1000RR ABS	999 - Race Specific	HA-1008R	KN-204	Rancher 4x4 AT DCT			
CBR1000RR SP	999	HA-1008	KN-204	w/EPS			
Repsol Edition				TRX420FA5 FourTrax	420	HA-5000	KN-114
CBR1000RR SP	999 - Race Specific	HA-1008R	KN-204	Rancher 4x4 Auto			
Repsol Edition				DCT IRS			
Civic	1.5L L4 F/I	33-2348+	HP-1010 ¹	TRX420FA6 FourTrax	420	HA-5000	KN-114
Civic	1.8L L4 F/I	33-2468 ♦+	HP-1010 ¹	Rancher 4x4 Auto			
Civic IX	1.6L L4 DSL	33-3012		DCT IRS EPS			
Civic IX	1.8L L4 F/I	33-2468	HP-1010 ¹	TRX420FE1 FourTrax	420	HA-5000	KN-113
Civic Si	2.4L L4 F/I	33-2473 ♦+	HP-1010 ¹	Rancher 4x4 ES			
CRF150F	150	HA-1503		TRX420FM1	420	HA-5000	KN-113
CRF150R	150	HA-1507		FourTrax Rancher			
CRF150R Expert	150	HA-1507		4x4			
CRF230F	230	HA-1503		TRX420FM2	420	HA-5000	KN-113
CRF250L	250	HA-2513	KN-112	FourTrax Rancher			
CRF250R	250	HA-4513XD	KN-116	4x4 w/EPS			
CRF250X	249	HA-2505XD	KN-116	TRX420TE1 FourTrax	420	HA-5000	KN-113
CRF450R	449	HA-4513XD	KN-116	Rancher ES			
CRF450X	449	HA-2505XD	KN-116	TRX420TM1	420	HA-5000	KN-113
Crosstour	2.4L L4 F/I	33-2402		FourTrax Rancher			
Crosstour	3.5L V6 F/I	33-2403	HP-1010 ¹	TRX500FA5 FourTrax	475	HA-6806	KN-114
CR-V	2.4L L4 F/I	33-5031+	HP-1010 ¹	Foreman Rubicon			
CR-Z	1.5L L4 F/I	33-2459 ♦+	HP-1010 ¹	Auto DCT			
CTX700	670	HA-7012	KN-204	TRX500FA6 FourTrax	475	HA-6806	KN-114
CTX700 DCT ABS	670	HA-7012	KN-204	Foreman Rubicon			
CTX700N	670	HA-7012	KN-204	Auto DCT EPS			
CTX700N DCT ABS	670	HA-7012	KN-204	TRX500FE1 FourTrax	475	HA-5000	KN-113
Fit	1.5L L4 F/I	33-5027+	HP-1010 ¹	Foreman 4x4 ES			
GL1800 Gold Wing	1832	HA-1801	KN-204	TRX500FM1	475	HA-5000	KN-113
Airbag				FourTrax Foreman			
GL1800 Valkyrie	1832	HA-1801	KN-204	4x4			
GL1800B Gold Wing	1832	HA-1801	KN-204	TRX500FM5	475	HA-6806	KN-113
F6B				FourTrax Foreman			
GL1800B Gold Wing	1832	HA-1801	KN-204	Rubicon			
F6B Deluxe				TRX500FM6	475	HA-6806	KN-113
GL1800HP Gold	1832	HA-1801	KN-204	FourTrax Foreman			
Wing AC				Rubicon EPS			
GL1800HPNM Gold	1832	HA-1801	KN-204	TRX500FM6D	475	HA-6806	KN-113
Wing ACN XM				FourTrax Foreman			
GL1800HPNM Gold	1832	HA-1801	KN-204	Rubicon EPS DLX			
Wing ACN XM ABS				TRX680FA Rincon	680	HA-6806	KN-111
Grom 125	125	HA-1313		TRX500FA6D	475	HA-6806	KN-114
HR-V	1.5L L4 F/I	33-5027		FourTrax Foreman			
Insight	1.3L L4 F/I		HP-1010 ¹	Rubicon Auto DCT			
Jazz	1.2L L4 F/I	33-2422		EPS D			
Jazz	1.4L L4 F/I	33-2422		VFR800 Interceptor	782	HA-8098	KN-204
MSX125	125	HA-1313		VT750C Shadow	745	HA-7504	KN-204
NC700J NM4	670	HA-7012	KN-204	Aero			
NC700X	670	HA-7012	KN-204	VT750C2B Shadow	745	HA-7504	KN-204
NC700X DCT ABS	670	HA-7012	KN-204	Phantom			
NCH50 Metropolitan	49	HA-0513		VT750CA Shadow	745	HA-7504	KN-204
NPS50 Ruckus	49	HA-0502		Aero ABS			
NSS300 Forza	279	HA-2714		VT1300CT Interstate	1312	HA-1310	KN-204
NSS300A Forza ABS	279	HA-2714		VT1300CX Fury	1312	HA-1310	KN-204
Odyssey	3.5L V6 F/I	33-2461+	HP-1010 ¹	XR650L	650	HA-6592	KN-112
Pilot	3.5L V6 F/I	33-2309+	HP-1010 ¹	2014 HONDA			
Ridgeline	3.5L V6 F/I		HP-1010 ¹	Accord	2.4L L4 F/I	33-2498 ♦+	HP-1010 ¹
SXS500M2 Pioneer	475	HA-5015	KN-113	Accord	3.5L V6 F/I	33-2499 ♦+	HP-1010 ¹
SXS700M2 Pioneer	675	HA-5000	KN-111	Accord Hybrid	2.0L L4 F/I	33-5006+	HP-1010 ¹
SXS700M4 Pioneer	675	HA-5000	KN-111	Accord IX	2.0L L4 F/I	33-3003	
TRX90X	90	HA-1088		Accord IX	2.4L L4 F/I	33-2430	HP-1010 ¹
				CB500F	471	HA-5013	KN-204
				CB500F ABS	471	HA-5013	KN-204
				CB500X	471	HA-5013	KN-204

* 2 filters required ♦ Intake System Available - see page 81 +Cabin Air Filter Available - see page 453 1- Pro Series Filter Available

HONDA

AIR & OIL FILTERS

Vehicle	Engine Type	Air Filter	Oil Filter	Vehicle	Engine Type	Air Filter	Oil Filter
2014 HONDA				2014 HONDA			
CB500X ABS	471	HA-5013	KN-204	MSX125	125	HA-1313	
CB650F	649		KN-204	NC700X	670	HA-7012	KN-204
CB1000R	998	HA-1009	KN-204	NC700X DCT ABS	670	HA-7012	KN-204
CB1100	1140	HA-1301	KN-204	NC750S	745	HA-7012	KN-204
CB1100 ABS	1140	HA-1301	KN-204	NC750X	745	HA-7012	KN-204
CB1100 DLX	1140	HA-1301	KN-204	NCH50 Metropolitan	49	HA-0513	
CBF1000 F	1000	HA-1009		NPS50 Ruckus	49	HA-0502	
CBR125R	125	HA-1502		NSS300 Forza	279	HA-2714	KN-204
CBR500R	471	HA-5013	KN-204	NSS300A Forza ABS	279	HA-2714	KN-204
CBR500R ABS	471	HA-5013	KN-204	Odyssey	3.5L V6 F/I	33-2461+	HP-1010 ¹
CBR600RR	599	HA-6007	KN-204	PCX125	125	HA-1213	
CBR600RR	599 - Race Specific	HA-6007R	KN-204	Pilot	3.5L V6 F/I	33-2309+	HP-1010 ¹
CBR600RR ABS	599	HA-6007	KN-204	Ridgeline	3.5L V6 F/I	33-2323+	HP-1010 ¹
CBR600RR ABS	599 - Race Specific	HA-6007R	KN-204	SH125	125	HA-1513	
CBR650F	649	HA-6414	KN-204	SH150i	153	HA-1513	
CBR650F ABS	649	HA-6414	KN-204	ST1300	1261	HA-1302	KN-204
CBR1000RR	999	HA-1008	KN-204	SXS700M2 Pioneer	675	HA-5000	KN-111
CBR1000RR	999 - Race Specific	HA-1008R	KN-204	SXS700M4 Pioneer	675	HA-5000	KN-111
CBR1000RR ABS	999	HA-1008	KN-204	TRX250TE Recon ES	250	HA-2501	
CBR1000RR ABS	999 - Race Specific	HA-1008R	KN-204	TRX250TM Recon	250	HA-2501	
CBR1000RR SP	999	HA-1008	KN-204	TRX250X	250	HA-2501	
CBR1000RR SP	999 - Race Specific	HA-1008R	KN-204	TRX400X	400	HA-4099	KN-113
City	1.5L L4 F/I	33-3030		TRX420FA Rancher	420	HA-5000	KN-114
Civic	1.5L L4 F/I	33-2348+	HP-1010 ¹	AT			
Civic	1.8L L4 F/I	33-2468♦+	HP-1010 ¹	TRX420FA1 FourTrax	420	HA-5000	KN-114
Civic IX	1.6L L4 DSL	33-3012		Rancher 4x4 AT DCT			
Civic IX	1.8L L4 F/I	33-2468	HP-1010 ¹	TRX420FA2 FourTrax	420	HA-5000	KN-114
Civic IX	2.2L L4 DSL	33-3012		Rancher 4x4 AT DCT			
Civic Si	2.4L L4 F/I	33-2473♦+	HP-1010 ¹	w/EPS			
CMX250C Rebel	234	HA-2596		TRX420FE1 FourTrax	420	HA-5000	
CRF150F	150	HA-1503	KN-116	Rancher 4x4 ES			
CRF150R	150	HA-1507	KN-116	TRX420FE1 FourTrax	420 - w/Manual Trans.	HA-5000	KN-113
CRF150R Expert	150	HA-1507	KN-116	Rancher 4x4 ES			
CRF230F	230	HA-1503		TRX420FM1	420	HA-5000	
CRF250L	250	HA-2513	KN-112	FourTrax Rancher			
CRF250R	250	HA-4513XD	KN-116	4x4			
CRF450R	449	HA-4513XD	KN-116	TRX420FM1	420 - w/Manual Trans.	HA-5000	KN-113
CRF450X	449	HA-2505XD	KN-116	FourTrax Rancher			
Crosstour	2.4L L4 F/I	33-2402+	HP-1010 ¹	4x4			
Crosstour	3.5L V6 F/I	33-2403+	HP-1010 ¹	TRX420FM2	420	HA-5000	
CR-V	2.4L L4 F/I	33-2477+	HP-1010 ¹	FourTrax Rancher			
CR-Z	1.5L L4 F/I	33-2459♦+	HP-1010 ¹	4x4 w/EPS			
CTX700	670	HA-7012	KN-204	TRX420FM2	420 - w/Manual Trans.	HA-5000	KN-113
CTX700 DCT ABS	670	HA-7012	KN-204	FourTrax Rancher			
CTX700N	670	HA-7012	KN-204	4x4 w/PS			
CTX700N DCT ABS	670	HA-7012	KN-204	TRX420FPA Rancher	420	HA-5000	KN-114
CTX1300	1261	HA-1302	KN-204	AT 4x4 w/PS			
CTX1300 Deluxe	1261	HA-1302	KN-204	TRX420TE1 FourTrax	420	HA-5000	
Fit	1.5L L4 F/I		HP-1010 ¹	Rancher ES			
GL1800 Gold Wing	1832	HA-1801	KN-204	TRX420TE1 FourTrax	420 - w/Manual Trans.	HA-5000	KN-113
Airbag				Rancher ES			
GL1800 Valkyrie	1832	HA-1801	KN-204	TRX420TM1	420	HA-5000	
GL1800 Valkyrie ABS	1832	HA-1801	KN-204	FourTrax Rancher			
GL1800B Gold Wing	1832	HA-1801	KN-204	TRX420TM1	420 - w/Manual Trans.	HA-5000	KN-113
F6B				FourTrax Rancher			
GL1800B Gold Wing	1832	HA-1801	KN-204	TRX450ER	450	BD-6500	KN-116
F6B Deluxe				TRX500FA Foreman	499	HA-6806	KN-111
GL1800HP Gold	1832	HA-1801	KN-204	Rubicon			
Wing AC				TRX500FPA	500	HA-6806	KN-111
GL1800HPNM Gold	1832	HA-1801		Foreman Rubicon			
Wing ACN XM				GPScape w/EPS			
GL1800HPNM Gold	1832	HA-1801	KN-204	TRX500FPE	500	HA-5000	KN-113
Wing ACN XM ABS				Foreman 4x4 ES			
Grom 125	125	HA-1313		w/PS			
Insight	1.3L L4 F/I	33-2433+	HP-1010 ¹	TRX500FPM	500	HA-5000	KN-113
				Foreman 4x4 w/PS			
				TRX680FA Rincon	680	HA-6806	KN-111
				VFR800 Interceptor	782	HA-8098	KN-204

* 2 filters required ♦ Intake System Available - see page 81 +Cabin Air Filter Available - see page 453 1- Pro Series Filter Available

AIR & OIL FILTERS

HONDA

Vehicle	Engine Type	Air Filter	Oil Filter	Vehicle	Engine Type	Air Filter	Oil Filter
2014 HONDA				2013 HONDA			
VFR800D Interceptor DLX	782	HA-8098	KN-204	GL1800 Gold Wing Airbag	1832	HA-1801	KN-204
VT13CX Fury	1312	HA-1310	KN-204	GL1800B Gold Wing F6B	1832	HA-1801	KN-204
VT750C Shadow Aero	745	HA-7504	KN-204	GL1800B Gold Wing F6B Deluxe	1832	HA-1801	KN-204
VT750C2 Shadow Spirit	745	HA-7504	KN-204	GL1800HP Gold Wing AC	1832	HA-1801	KN-204
VT750C2 Shadow Spirit ABS	745	HA-7504	KN-204	GL1800HPNM Gold Wing ACN XM	1832	HA-1801	KN-204
VT750C2B Shadow Phantom	745	HA-7504	KN-204	GL1800HPNM Gold Wing ACN XM ABS	1832	HA-1801	KN-204
VT1300CR Stataline ABS	1312	HA-1310	KN-204	Insight	1.3L L4 F/I	33-2433+	HP-1010 ¹
VT1300CRA Stataline ABS	1312		KN-204	Jazz	1.4L L4 F/I	33-2422	
VT1300CT Interstate	1312	HA-1310	KN-204	MSX125	125	HA-1313	
XR650L	650	HA-6592	KN-112	MUV700 Big Red	675	HA-5000	KN-111
2013 HONDA				2013 HONDA			
Accord	2.4L L4 F/I	33-2498 ♦+	HP-1010 ¹	NC700S	670	HA-7012	KN-204
Accord	3.5L V6 F/I	33-2499 ♦+	HP-1010 ¹	NC700X	670	HA-7012	KN-204
Accord IX	2.0L L4 F/I	33-3003		NC700X DCT ABS	670	HA-7012	KN-204
Accord IX	2.4L L4 F/I	33-2430	HP-1010 ¹	NCH50 Metropolitan	49	HA-0513	
CB500F	471	HA-5013	KN-204	NPS50 Ruckus	49	HA-0502	
CB500F ABS	471	HA-5013	KN-204	Odyssey	3.5L V6 F/I	33-2461+	HP-1010 ¹
CB500X	471	HA-5013	KN-204	PCX125	125	HA-1213	
CB500X ABS	471	HA-5013	KN-204	PCX150	153	HA-1213	
CB600F Hornet	599	HA-5907		Pilot	3.5L V6 F/I	33-2309+	HP-1010 ¹
CB1000R	998	HA-1009	KN-204	Ridgeline	3.5L V6 F/I	33-2323+	HP-1010 ¹
CB1100	1140	HA-1301	KN-204	SH125	125	HA-1513	
CB1100 ABS	1140	HA-1301	KN-204	SH150i	153	HA-1513	
CBF600	599	HA-5907		TRX250TE Recon ES	250	HA-2501	
CBR125R	125	HA-1502		TRX250TM Recon	250	HA-2501	
CBR250R	249	HA-2511	KN-112	TRX250X	250	HA-2501	
CBR250R ABS	249	HA-2511	KN-112	TRX400X	400	HA-4099	KN-113
CBR500R	471	HA-5013	KN-204	TRX420FA Rancher AT	420	HA-4207	KN-114
CBR500R ABS	471	HA-5013	KN-204	TRX420FE FourTrax Rancher 4X4 ES	420	HA-4207	
CBR600RR	599	HA-6007	KN-204	TRX420FE FourTrax Rancher 4X4 ES	420 - w/Manual Trans.	HA-4207	KN-113
CBR600RR	599 - Race Specific	HA-6007R	KN-204	TRX420FM FourTrax Rancher 4X4	420	HA-4207	
CBR1000RR	999	HA-1008	KN-204	TRX420FM FourTrax Rancher 4X4	420 - w/Manual Trans.	HA-4207	KN-113
CBR1000RR	999 - Race Specific	HA-1008R	KN-204	TRX420FPA Rancher AT 4x4 w/PS	420	HA-4207	KN-114
CBR1000RR ABS	999	HA-1008	KN-204	TRX420FPE Rancher ES 4x4 w/PS	420	HA-4207	
CBR1000RR ABS	999 - Race Specific	HA-1008R	KN-204	TRX420FPE Rancher ES 4x4 w/PS	420 - w/Manual Trans.	HA-4207	KN-113
City	1.5L L4 F/I		HP-1010 ¹	TRX420FPM Rancher 4x4 w/PS	420	HA-4207	
Civic	1.5L L4 F/I	33-2348+	HP-1010 ¹	TRX420FPM Rancher 4x4 w/PS	420 - w/Manual Trans.	HA-4207	KN-113
Civic	1.8L L4 F/I	33-2468 ♦+	HP-1010 ¹	TRX420FPM Rancher 4x4 w/PS	420	HA-4207	
Civic IX	1.6L L4 DSL	33-3012		TRX420FPM Rancher 4x4 w/PS	420	HA-4207	
Civic IX	1.8L L4 F/I	33-2468	HP-1010 ¹	TRX420FPM Rancher 4x4 w/PS	420	HA-4207	
Civic IX	2.2L L4 DSL	33-3012		TRX420FPM Rancher 4x4 w/PS	420 - w/Manual Trans.	HA-4207	KN-113
Civic Si	2.4L L4 F/I	33-2473 ♦+	HP-1010 ¹	TRX420FPM Rancher 4x4 w/PS	420 - w/Manual Trans.	HA-4207	KN-113
CMX250C Rebel	234	HA-2596		TRX420TE FourTrax Rancher ES	420	HA-4207	
CRF100F	100	HA-1088		TRX420TE FourTrax Rancher ES	420 - w/Manual Trans.	HA-4207	KN-113
CRF150F	150	HA-1503	KN-116	TRX420TM FourTrax Rancher	420	HA-4207	
CRF150R	150	HA-1507	KN-116	TRX420TM FourTrax Rancher	420 - w/Manual Trans.	HA-4207	KN-113
CRF150R Expert	150	HA-1507	KN-116	TRX450ER	450	BD-6500	KN-116
CRF230F	230	HA-1503		TRX500FA Foreman Rubicon	499	HA-6806	KN-111
CRF250L	250	HA-2513	KN-112	TRX500FPA	500	HA-6806	KN-111
CRF250R	250	HA-4509XD	KN-116	Foreman Rubicon			
CRF250X	249	HA-2505XD	KN-116	GPScape w/EPS			
CRF450R	449	HA-4513XD	KN-116				
CRF450X	449	HA-2505XD	KN-116				
Crosstour	2.4L L4 F/I	33-2402+	HP-1010 ¹				
Crosstour	3.5L V6 F/I	33-2403+	HP-1010 ¹				
CR-V	2.4L L4 F/I	33-2477+	HP-1010 ¹				
CR-Z	1.5L L4 F/I	33-2459 ♦+	HP-1010 ¹				
Fit	1.5L L4 F/I	33-2422 ♦+	HP-1010 ¹				
FSC600 Silver Wing	582	HA-6002	KN-204				

* 2 filters required ♦ Intake System Available - see page 81 +Cabin Air Filter Available - see page 453 1- Pro Series Filter Available

HONDA

AIR & OIL FILTERS

Vehicle	Engine Type	Air Filter	Oil Filter	Vehicle	Engine Type	Air Filter	Oil Filter
2013 HONDA				2012 HONDA			
TRX500FPE	500	HA-5000	KN-113	Fit	1.5L L4 F/I	33-2422 ♦+	HP-1010 ¹
Foreman 4x4 ES w/PS				FSC600 Silver Wing	582		KN-204
TRX500FPM	500	HA-5000	KN-113	GL1800 Gold Wing	1832	HA-1801	KN-204
Foreman 4x4 w/PS				Airbag			
TRX680FA Rincon	680	HA-6806	KN-111	GL1800A Gold Wing	1832	HA-1801	KN-204
VFR1200F	1237	HA-1110	KN-204	ABS			
VT750 C2B Shadow Phantom	745	HA-7504	KN-204	GL1800HP Gold	1832	HA-1801	KN-204
VT750 RS Shadow	745	HA-7504	KN-204	Wing AC			
VT750C Shadow Aero	745	HA-7504	KN-204	GL1800HPNA Gold	1832	HA-1801	KN-204
VT750C2 Shadow Spirit	745	HA-7504	KN-204	Wing ACN ABS			
VT750C2 Shadow Spirit ABS	745	HA-7504	KN-204	GL1800HPNM Gold	1832	HA-1801	KN-204
VT1300CR Stataline	1312	HA-1310	KN-204	Wing ACN XM			
VT1300CS Sabre	1312	HA-1310	KN-204	GL1800HPNM Gold	1832	HA-1801	KN-204
VT1300CT Interstate	1312	HA-1310	KN-204	Wing ACN XM ABS			
VT1300CX Fury	1312	HA-1310	KN-204	Insight	1.3L L4 F/I	33-2433+	HP-1010 ¹
XR650L	650	HA-6592	KN-112	Jazz	1.2L L4 F/I	33-2422	
2012 HONDA				Jazz	1.4L L4 F/I	33-2422	
Accord	2.0L L4 F/I	33-3003		MUV700 Big Red	675	HA-5000	KN-111
Accord	2.4L L4 F/I	33-2402 ♦+	HP-1010 ¹	NC700S	670	HA-7012	KN-204
Accord	3.5L V6 F/I	33-2403 ♦+	HP-1010 ¹	NC700X	670	HA-7012	KN-204
Accord IX	2.0L L4 F/I	33-3003		NC700X DCT ABS	670	HA-7012	KN-204
Accord IX	2.4L L4 F/I	33-2430	HP-1010 ¹	NPS50 Ruckus	49	HA-0502	
CB600F Hornet	599	HA-5907		Odyssey	3.5L V6 F/I	33-2461+	HP-1010 ¹
CB1000R	998	HA-1009	KN-204	PCX125	125	HA-1211	
CB1300	1300	HA-1301	KN-204	Pilot	3.5L V6 F/I	33-2309+	HP-1010 ¹
CB1300S	1300	HA-1301	KN-204	Ridgeline	3.5L V6 F/I	33-2323+	HP-1010 ¹
CBF600	599	HA-5907		SH150i	150	HA-1510	
CBF1000 F	1000	HA-1009	KN-204	SH300i	300	HA-3011	
CBR125R	125	HA-1502		ST1300	1261	HA-1302	KN-204
CBR250R	249	HA-2511	KN-112	TRX250TE Recon ES	250	HA-2501	
CBR600F	599	HA-5907		TRX250TM Recon	250	HA-2501	
CBR600RR	599	HA-6007	KN-204	TRX250X	250	HA-2501	
CBR600RR	599 - Race Specific	HA-6007R	KN-204	TRX400X	400	HA-4099	KN-113
CBR1000RR	999	HA-1008	KN-204	TRX420FA Rancher AT	420	HA-4207	KN-114
CBR1000RR	999 - Race Specific	HA-1008R	KN-204	TRX420FE FourTrax Rancher 4X4 ES	420	HA-4207	
CBR1000RR ABS	999	HA-1008	KN-204	TRX420FE FourTrax Rancher 4X4 ES	420 - w/Manual Trans.	HA-4207	KN-113
CBR1000RR ABS	999 - Race Specific	HA-1008R	KN-204	TRX420FM FourTrax Rancher 4X4	420	HA-4207	
City	1.5L L4 F/I		HP-1010 ¹	TRX420FM FourTrax Rancher 4X4	420 - w/Manual Trans.	HA-4207	KN-113
Civic	1.5L L4 F/I	33-2348+	HP-1010 ¹	TRX420FPA Rancher AT 4x4 w/PS	420	HA-4207	KN-114
Civic	1.8L L4 F/I	33-2468 ♦+	HP-1010 ¹	TRX420FPE Rancher ES 4x4 w/PS	420	HA-4207	
Civic IX	1.8L L4 F/I	33-2468	HP-1010 ¹	TRX420FPE Rancher ES 4x4 w/PS	420 - w/Manual Trans.	HA-4207	KN-113
Civic IX	2.2L L4 DSL	33-3012		TRX420FPM Rancher 4x4 w/PS	420	HA-4207	
Civic Si	2.4L L4 F/I	33-2473 ♦+	HP-1010 ¹	TRX420FPM Rancher 4x4 w/PS	420 - w/Manual Trans.	HA-4207	KN-113
CMX250C Rebel	234	HA-2596		TRX420FPM Rancher 4x4 w/PS	420 - w/Manual Trans.	HA-4207	KN-113
CRF100F	100	HA-1088		TRX420TE FourTrax Rancher ES	420	HA-4207	
CRF150F	150	HA-1503	KN-116	TRX420TE FourTrax Rancher ES	420 - w/Manual Trans.	HA-4207	KN-113
CRF150R	150	HA-1507	KN-116	TRX420TM FourTrax Rancher	420	HA-4207	
CRF150R Expert	150	HA-1507	KN-116	TRX420TM FourTrax Rancher	420 - w/Manual Trans.	HA-4207	KN-113
CRF250R	250	HA-4509XD	KN-116	TRX450ER	450	BD-6500	KN-116
CRF250X	249	HA-2505XD	KN-116	TRX450R	450	BD-6500	KN-116
CRF450R	444	HA-4509XD	KN-116	TRX500FA Foreman Rubicon	499	HA-6806	KN-111
CRF450X	449	HA-2505XD	KN-116	TRX500FPA	500	HA-6806	
Crosstour	2.4L L4 F/I	33-2402+	HP-1010 ¹	Foreman Rubicon			
Crosstour	3.5L V6 F/I	33-2403 ♦+	HP-1010 ¹	GPScape w/EPS			
CR-V	2.4L L4 F/I		HP-1010 ¹				
CR-V	2.4L L4 F/I - US	33-2477+	HP-1010				
CR-V III	2.0L L4 F/I	33-2961					
CR-V III	2.4L L4 F/I		HP-1010 ¹				
CR-V III	2.4L L4 F/I - Non-US	33-2437	HP-1010				
CR-Z	1.5L L4 F/I	33-2459 ♦+	HP-1010 ¹				

* 2 filters required ♦ Intake System Available - see page 81 +Cabin Air Filter Available - see page 453 1- Pro Series Filter Available

AIR & OIL FILTERS

HONDA

Vehicle	Engine Type	Air Filter	Oil Filter
2012 HONDA			
TRX500FPE Foreman 4x4 ES w/PS	500	HA-5000	KN-113
TRX500FPM Foreman 4x4 w/PS	500	HA-5000	KN-113
TRX680FA Rincon	680	HA-6806	KN-111
VFR1200 Crosstourer	1235	HA-1110	KN-204
VFR1200F	1237	HA-1110	KN-204
VT750 C2 Shadow	750	HA-7504	KN-204
VT750 C2B Shadow Phantom	745	HA-7504	KN-204
VT750 RS Shadow	745	HA-7504	KN-204
VT750C Shadow Aero	745	HA-7504	KN-204
VT1300CR Stateline	1312	HA-1310	KN-204
VT1300CT Interstate	1312	HA-1310	KN-204
VT1300CX Fury	1312	HA-1310	KN-204
XR650L	650	HA-6592	KN-112

2011 HONDA			
Accord	2.0L L4 F/I	33-3003	
Accord	2.4L L4 F/I	33-2402 ♦+	HP-1010 ¹
Accord	3.5L V6 F/I	33-2403 ♦+	HP-1010 ¹
Accord Crosstour	3.5L V6 F/I	33-2403 ♦+	HP-1010 ¹
Accord IX	2.0L L4 F/I	33-3003	
Accord IX	2.4L L4 F/I	33-2430	HP-1010 ¹
CB600F Hornet	599	HA-5907	
CB1000R	998	HA-1009	KN-204
CB1300	1300	HA-1301	KN-204
CB1300S	1300	HA-1301	KN-204
CBF600	599	HA-5907	
CBF600S	599	HA-5907	
CBF1000 F	1000	HA-1009	KN-204
CBR125R	125	HA-1502	
CBR250R	249	HA-2511	KN-112
CBR600F	599	HA-5907	KN-204
CBR600RR	599	HA-6007	KN-204
CBR600RR	599 - Race Specific	HA-6007R	KN-204
CBR1000RR	999	HA-1008	KN-204
CBR1000RR	999 - Race Specific	HA-1008R	KN-204
City	1.5L L4 F/I		HP-1010 ¹
Civic	1.3L L4 F/I	33-2348+	HP-1010 ¹
Civic	1.8L L4 F/I	33-2342 ♦+	HP-1010 ¹
Civic GX	1.8L L4 F/I	33-2342+	HP-1010 ¹
Civic Si	2.0L L4 F/I	33-2343 ♦+	HP-1010 ¹
Civic VII	1.3L L4 F/I	33-2348	HP-1010 ¹
Civic VIII	1.8L L4 F/I	33-2342 ♦	HP-1010 ¹
CRF250R	250	HA-4509XD	KN-116
CRF450R	444	HA-4509XD	KN-116
CR-V	2.4L L4 F/I	33-2437+	HP-1010 ¹
CR-V III	2.0L L4 F/I	33-2961	
CR-Z	1.5L L4 F/I	33-2459 ♦+	HP-1010 ¹
Element	2.4L L4 F/I	33-2343+	HP-1010 ¹
Fit	1.5L L4 F/I	33-2422 ♦+	HP-1010 ¹
Insight	1.3L L4 F/I	33-2433+	HP-1010 ¹
MUV700 Big Red	675	HA-5000	KN-111
NPS50 Ruckus	49	HA-0502	
Odyssey	3.5L V6 F/I	33-2461+	HP-1010 ¹
PCX125	125	HA-1211	
Pilot	3.5L V6 F/I	33-2309+	HP-1010 ¹
Ridgeline	3.5L V6 F/I	33-2323+	HP-1010 ¹
TRX250TE Recon ES	250	HA-2501	
TRX250TM Recon	250	HA-2501	
TRX250X	250	HA-2501	
TRX420FA Rancher AT	420	HA-4207	KN-114

Vehicle	Engine Type	Air Filter	Oil Filter
2011 HONDA			
TRX420FE FourTrax Rancher 4X4 ES	420	HA-4207	
TRX420FE FourTrax Rancher 4X4 ES	420 - w/Manual Trans.	HA-4207	KN-113
TRX420FM FourTrax Rancher 4X4	420	HA-4207	
TRX420FM FourTrax Rancher 4X4	420 - w/Manual Trans.	HA-4207	KN-113
TRX420FPA Rancher AT 4x4 w/PS	420	HA-4207	KN-114
TRX420FPE Rancher ES 4x4 w/PS	420	HA-4207	
TRX420FPE Rancher ES 4x4 w/PS	420 - w/Manual Trans.	HA-4207	KN-113
TRX420TM FourTrax Rancher	420	HA-4207	
TRX420TM FourTrax Rancher	420 - w/Manual Trans.	HA-4207	KN-113
TRX500FA Foreman Rubicon	500	HA-5000	KN-111
TRX500FPE Foreman 4x4 ES w/PS	500	HA-5000	KN-113
TRX680FA Rincon	680	HA-6806	KN-111
VT750 C2B Shadow Phantom	750	HA-7504	KN-204
VT750 RS Shadow	750	HA-7504	KN-204
VT750C Shadow	750	HA-7504	KN-204
VT1300CT Interstate	1312	HA-1310	KN-204
VT1300CX Fury	1312	HA-1310	KN-204

2010 HONDA			
Accord	2.0L L4 F/I	33-3003	
Accord	2.4L L4 F/I		HP-1010 ¹
Accord	2.4L L4 F/I - US	33-2402 ♦+	HP-1010
Accord	3.5L V6 F/I	33-2403 ♦+	HP-1010 ¹
Accord Crosstour	3.5L V6 F/I	33-2403 ♦+	HP-1010 ¹
Accord IX	2.0L L4 F/I	33-3003	
Accord IX	2.4L L4 F/I	33-2430	HP-1010 ¹
CB1000R	998	HA-1009	KN-204
CBF600	599	HA-5907	KN-204
CBF600S	599	HA-5907	KN-204
CBF1000 F	1000	HA-1009	
CBF1000 F Travel	1000	HA-1009	
CBR125R	125	HA-1502	
CBR600RR	599	HA-6007	KN-204
CBR600RR	599 - Race Specific	HA-6007R	KN-204
CBR600RR ABS	599	HA-6007	KN-204
CBR600RR ABS	599 - Race Specific	HA-6007R	KN-204
CBR1000RR	999	HA-1008	KN-204
CBR1000RR	999 - Race Specific	HA-1008R	KN-204
City	1.5L L4 F/I		HP-1010 ¹
Civic	1.3L L4 F/I	33-2348+	HP-1010 ¹
Civic	1.8L L4 F/I	33-2342 ♦+	HP-1010 ¹
Civic GX	1.8L L4 F/I	33-2342+	HP-1010 ¹
Civic Si	2.0L L4 F/I	33-2343 ♦+	HP-1010 ¹
Civic VII	1.3L L4 F/I	33-2348	HP-1010 ¹
Civic VIII	1.8L L4 F/I	33-2342 ♦	HP-1010 ¹
Civic VIII	2.0L L4 F/I	33-2948	HP-1010 ¹
CRF150R	150	HA-1507	KN-116
CRF150R Expert	150	HA-1507	KN-116
CRF250R	250	HA-4509XD	KN-116
CRF450R	444	HA-4509XD	KN-116
CR-V	2.4L L4 F/I	33-2437+	HP-1010 ¹
CR-V III	2.0L L4 F/I	33-2961	
CR-V III	2.2L L4 DSL - 140BHP	33-2982	
Element	2.4L L4 F/I	33-2343+	HP-1010 ¹

* 2 filters required ♦ Intake System Available - see page 81 +Cabin Air Filter Available - see page 453 1- Pro Series Filter Available

HONDA

AIR & OIL FILTERS

Vehicle	Engine Type	Air Filter	Oil Filter	Vehicle	Engine Type	Air Filter	Oil Filter
2010 HONDA				2009 HONDA			
Fit	1.5L L4 F/I	33-2422 ♦+	HP-1010 ¹	Accord	2.4L L4 F/I		HP-1010 ¹
FSC600 Silver Wing	582	HA-6002	KN-204	Accord	2.4L L4 F/I - US	33-2402 ♦+	HP-1010
GL1800 Gold Wing	1832	HA-1801	KN-204	Accord	3.5L V6 F/I	33-2403 ♦+	HP-1010 ¹
Airbag				Accord IX	2.0L L4 F/I	33-3003	
GL1800A Gold Wing	1832	HA-1801	KN-204	Accord IX	2.4L L4 F/I	33-2430	
ABS				CB600F Hornet	599	HA-5907	KN-204
GL1800HP Gold	1832	HA-1801	KN-204	CB1000R	998	HA-1009	KN-204
Wing AC				CBF600	599	HA-5907	
GL1800HPN Gold	1832	HA-1801	KN-204	CBF600S	599	HA-5907	
Wing ACN				CBF1000 F	1000		KN-204
GL1800HPNA Gold	1832	HA-1801	KN-204	CBF1000 F Ltd. Ed.	1000		KN-204
Wing ACN ABS				CBF1000 F Travel	1000		KN-204
Insight	1.3L L4 F/I	33-2433+	HP-1010 ¹	CBR125R	125	HA-1502	
Jazz	1.4L L4 F/I	33-2422		CBR600RR	599	HA-6007	KN-204
MUV700 Big Red	675	HA-5000	KN-111	CBR600RR	599 - Race Specific	HA-6007R	KN-204
NHX110	110	HA-1010		CBR600RR ABS	599	HA-6007	KN-204
NPS50 Ruckus	49	HA-0502		CBR600RR ABS	599 - Race Specific	HA-6007R	KN-204
NT700V Deauville	700	HA-7010	KN-204	CBR1000RR	999	HA-1008	KN-204
NT700VA	700	HA-7010	KN-204	CBR1000RR	999 - Race Specific	HA-1008R	KN-204
NT700VAA	700		KN-204	CHF50 Metropolitan	50	HA-0502	
Odyssey	3.5L V6 F/I	33-2309+	HP-1010 ¹	Civic	1.3L L4 F/I	33-2348+	HP-1010 ¹
Pilot	3.5L V6 F/I	33-2309+	HP-1010 ¹	Civic	1.8L L4 F/I	33-2342 ♦+	HP-1010 ¹
Ridgeline	3.5L V6 F/I	33-2323+	HP-1010 ¹	Civic GX	1.8L L4 F/I	33-2342 ♦+	HP-1010 ¹
SH150i	150	HA-1510		Civic Si	2.0L L4 F/I	33-2343 ♦+	HP-1010 ¹
SH300i	300	HA-3011		Civic VII	1.3L L4 F/I	33-2348	HP-1010 ¹
ST1300	1261	HA-1302	KN-204	Civic VIII	1.8L L4 F/I	33-2342 ♦	HP-1010 ¹
ST1300 ABS	1261	HA-1302	KN-204	Civic VIII	2.0L L4 F/I	33-2948 ♦	
TRX420FA Rancher	420	HA-4207	KN-114	CMX250C Rebel	234	HA-2596	
AT				CRF100F	100	HA-1088	
TRX420FE FourTrax	420	HA-4207		CRF150R	150	HA-1507	KN-116
Rancher 4X4 ES				CRF150R Expert	150	HA-1507	KN-116
TRX420FE FourTrax	420 - w/Manual Trans.	HA-4207	KN-113	CRF230F	230	HA-1503	
Rancher 4X4 ES				CRF250R	250	HA-4503XD	KN-116
TRX420FM FourTrax	420	HA-4207		CRF250X	250	HA-2505XD	KN-116
Rancher 4X4				CRF450R	444	HA-4509XD	KN-116
TRX420FM FourTrax	420 - w/Manual Trans.	HA-4207	KN-113	CRF450X	444	HA-2505XD	KN-116
Rancher 4X4				CR-V	2.4L L4 F/I	33-2377+	HP-1010 ¹
TRX420FPA Rancher	420	HA-4207	KN-114	CR-V III	2.0L L4 F/I	33-2961	
AT 4x4 w/PS				CR-V III	2.2L L4 DSL	33-2982	
TRX420FPE Rancher	420	HA-4207		Element	2.4L L4 F/I	33-2343+	HP-1010 ¹
ES 4x4 w/PS				Fit	1.5L L4 F/I	33-2422 ♦+	HP-1010 ¹
TRX420FPE Rancher	420 - w/Manual Trans.	HA-4207	KN-113	FJS600 Silver Wing	600		KN-204
ES 4x4 w/PS				FSC600 Silver Wing	582	HA-6002	KN-204
TRX420FPM Rancher	420	HA-4207		GL1800 Gold Wing	1800	HA-1801	KN-204
4x4 w/PS				Airbag			
TRX420FPM Rancher	420 - w/Manual Trans.	HA-4207	KN-113	GL1800HP Gold	1800	HA-1801	KN-204
4x4 w/PS				Wing AC			
TRX420TE FourTrax	420	HA-4207		GL1800HPN Gold	1800	HA-1801	
Rancher ES				Wing ACN			
TRX420TE FourTrax	420 - w/Manual Trans.	HA-4207	KN-113	GL1800HPNA Gold	1800	HA-1801	
Rancher ES				Wing ACN ABS			
TRX420TM FourTrax	420	HA-4207		MUV700 Big Red	675	HA-5000	
Rancher				NPS50 Ruckus	49	HA-0502	
TRX420TM FourTrax	420 - w/Manual Trans.	HA-4207	KN-113	NSA700 DN-01	700	HA-6708	KN-204
Rancher				Odyssey	3.5L V6 F/I	33-2309+	HP-1010 ¹
TRX680FA Rincon	680	HA-6806	KN-111	Pilot	3.5L V6 F/I	33-2309+	HP-1010 ¹
VFR1200F	1237	HA-1110	KN-204	Ridgeline	3.5L V6 F/I	33-2323+	HP-1010 ¹
VT750 C2B Shadow	750	HA-7504	KN-204	S2000	2.2L L4 F/I	E-2435	HP-1004 ¹
Phantom				SH300i	300	HA-3011	
VT750 RS Shadow	750	HA-7504	KN-204	ST1300	1300	HA-1302	KN-204
VT1300CR Stateline	1312	HA-1310	KN-204	ST1300 Pan	1300		KN-204
VT1300CS Sabre	1312	HA-1310	KN-204	European			
VT1300CT Interstate	1312	HA-1310	KN-204	TRX300X	282	HA-3094	
VT1300CX Fury	1312	HA-1310	KN-204	TRX400X	400	HA-4099	KN-113
XL700V Transalp	700	HA-7008					
2009 HONDA				2009 HONDA			
Accord	2.0L L4 F/I	33-3003					

* 2 filters required ♦ Intake System Available - see page 81 +Cabin Air Filter Available - see page 453 1- Pro Series Filter Available

AIR & OIL FILTERS

HONDA

Vehicle	Engine Type	Air Filter	Oil Filter
2009 HONDA			
TRX420FA Rancher AT	420	HA-4207	KN-114
TRX420FE FourTrax Rancher 4X4 ES	420	HA-4207	
TRX420FE FourTrax Rancher 4X4 ES	420 - w/Manual Trans.	HA-4207	KN-113
TRX420FM FourTrax Rancher 4X4	420	HA-4207	
TRX420FM FourTrax Rancher 4X4	420 - w/Manual Trans.	HA-4207	KN-113
TRX420FPA Rancher AT 4x4 w/PS	420	HA-4207	KN-114
TRX420FPE Rancher ES 4x4 w/PS	420	HA-4207	
TRX420FPE Rancher ES 4x4 w/PS	420 - w/Manual Trans.	HA-4207	KN-113
TRX420FPM Rancher 4x4 w/PS	420	HA-4207	
TRX420FPM Rancher 4x4 w/PS	420 - w/Manual Trans.	HA-4207	KN-113
TRX420TE FourTrax Rancher ES	420	HA-4207	
TRX420TE FourTrax Rancher ES	420 - w/Manual Trans.	HA-4207	KN-113
TRX420TM FourTrax Rancher	420	HA-4207	
TRX420TM FourTrax Rancher	420 - w/Manual Trans.	HA-4207	KN-113
TRX450ER	450	BD-6500	KN-116
TRX450R	450	BD-6500	KN-116
TRX500FA Foreman Rubicon	500	HA-5000	KN-111
TRX500FPA Foreman Rubicon GPScape w/EPS	500	HA-5000	KN-111
TRX500FPE Foreman 4x4 ES w/PS	500	HA-5000	KN-113
TRX680FA Rincon	680	HA-6806	KN-111
TRX700XX	700	HA-6808	KN-112
VFR800 Interceptor	782	HA-8098	KN-204
VFR800A Interceptor ABS	782	HA-8098	KN-204
VT750C Shadow Aero	750	HA-7504	KN-204
VT750C2 Shadow Spirit	750	HA-7504	KN-204
VTX1300C	1300	HA-1330	KN-204
VTX1300R	1300	HA-1330	KN-204
VTX1300T	1300	HA-1330	KN-204
XL700V Transalp	700	HA-7008	KN-204
XL1000 Varadero	1000	HA-1003	
XR650L	650	HA-6592	KN-112

2008 HONDA			
Accord	2.4L L4 F/I		HP-1010 ¹
Accord	2.4L L4 F/I - US	33-2402 ♦♦	HP-1010
Accord	3.5L V6 F/I	33-2403 ♦♦	HP-1010 ¹
Accord IX	2.0L L4 F/I	33-3003	
Accord IX	2.4L L4 F/I	33-2430	
Accord VIII	2.0L L4 F/I - Non-US	33-2276 ♦	
Accord VIII	2.4L L4 F/I - Non-US	33-2276 ♦	HP-1010 ¹
CB600F Hornet	599	HA-5907	
CB1000R	998	HA-1009	KN-204
CBF600	599	HA-5907	
CBF600S	599	HA-5907	
CBF1000 F	1000		KN-204
CBF1000 F Travel	1000		KN-204

Vehicle	Engine Type	Air Filter	Oil Filter
2008 HONDA			
CBR125R	125	HA-1502	
CBR600RR	599	HA-6007	KN-204
CBR600RR	599 - Race Specific	HA-6007R	KN-204
CBR1000RR	999	HA-1008	KN-204
CBR1000RR	999 - Race Specific	HA-1008R	KN-204
CHF50 Metropolitan	50	HA-0502	
Civic	1.3L L4 F/I	33-2348+	HP-1010 ¹
Civic	1.8L L4 F/I	33-2342 ♦♦	HP-1010 ¹
Civic GX	1.8L L4 F/I	33-2342 ♦♦	HP-1010 ¹
Civic Si	2.0L L4 F/I	33-2343 ♦♦	HP-1010 ¹
Civic VII	1.3L L4 F/I	33-2348	HP-1010 ¹
Civic VIII	1.8L L4 F/I	33-2342 ♦	HP-1010 ¹
Civic VIII	2.0L L4 F/I	33-2948 ♦	
CMX250C Rebel	234	HA-2596	
CRF100F	100	HA-1088	
CRF150F	150	HA-1503	
CRF150R	150	HA-1507	KN-116
CRF150R Expert	150	HA-1507	KN-116
CRF230F	230	HA-1503	
CRF250R	250	HA-4503XD	KN-116
CRF250X	250	HA-2505XD	KN-116
CRF450R	444	HA-4503XD	KN-116
CRF450X	444	HA-2505XD	KN-116
CR-V	2.4L L4 F/I	33-2377+	HP-1010 ¹
CR-V III	2.0L L4 F/I	33-2961	
CR-V III	2.2L L4 DSL	33-2982	
Element	2.4L L4 F/I	33-2343+	HP-1010 ¹
Fit	1.5L L4 F/I	33-2359 ♦	HP-1010 ¹
FJS600 Silver Wing	600		KN-204
GL1800 Gold Wing Airbag	1800	HA-1801	KN-204
GL1800HPN Gold Wing ACN	1800	HA-1801	KN-204
GL1800HPNA Gold Wing ACN ABS	1800	HA-1801	KN-204
GL1800P Gold Wing PA	1800	HA-1801	KN-204
Jazz	1.4L L4 F/I - OEM 17201PWA010	33-2917 ♦	
Jazz	1.4L L4 F/I - OEM 17220PWAJ10	33-2359 ♦	
Jazz	1.4L L4 F/I - OEM 17220REAZ00	33-2872 ♦	
NPS50 Ruckus	49	HA-0502	
NPS50S Ruckus	49	HA-0502	
Odyssey	3.5L V6 F/I	33-2309+	HP-1010 ¹
Pilot	3.5L V6 F/I	33-2200+	HP-1010 ¹
Ridgeline	3.5L V6 F/I	33-2323 ♦♦	HP-1010 ¹
S2000	2.2L L4 F/I	E-2435 ♦	HP-1004 ¹
ST1300	1300	HA-1302	KN-204
ST1300 Pan European	1300		KN-204
TRX250EX	225	HA-2501	
TRX300EX	300	HA-3094	KN-113
TRX400EX	397	HA-4099	KN-113
TRX420FE FourTrax Rancher 4X4 ES	420	HA-4207	
TRX420FE FourTrax Rancher 4X4 ES	420 - w/Manual Trans.	HA-4207	KN-113
TRX420FM FourTrax Rancher 4X4	420	HA-4207	
TRX420FM FourTrax Rancher 4X4	420 - w/Manual Trans.	HA-4207	KN-113
TRX420TE FourTrax Rancher ES	420	HA-4207	
TRX420TE FourTrax Rancher ES	420 - w/Manual Trans.	HA-4207	KN-113

* 2 filters required ♦ Intake System Available - see page 81 +Cabin Air Filter Available - see page 453 1- Pro Series Filter Available

HONDA

AIR & OIL FILTERS

Vehicle	Engine Type	Air Filter	Oil Filter	Vehicle	Engine Type	Air Filter	Oil Filter
2008 HONDA				2007 HONDA			
TRX420TM FourTrax Rancher	420	HA-4207		Civic Si	2.0L L4 F/I	33-2343 ♦+	HP-1010 ¹
TRX420TM FourTrax Rancher	420 - w/Manual Trans.	HA-4207	KN-113	Civic VII	1.3L L4 F/I	33-2348	HP-1010 ¹
TRX450ER	450	BD-6500	KN-116	Civic VIII	1.8L L4 F/I	33-2342 ♦	HP-1010 ¹
TRX450R	450	BD-6500	KN-116	Civic VIII	2.0L L4 F/I	33-2948 ♦	
TRX500FA Foreman Rubicon	500	HA-5000	KN-111	CMX250C Rebel	234	HA-2596	
TRX500FGA	500	HA-5000	KN-111	CRF80F	80	HA-1088	
Foreman Rubicon GPScape				CRF100F	100	HA-1088	
TRX500FPE	500	HA-5000	KN-113	CRF150F	150	HA-1503	KN-116
Foreman 4x4 ES w/PS				CRF150R	150	HA-1507	KN-116
TRX500FPM	500	HA-5000	KN-113	CRF150R Expert	150	HA-1507	KN-116
Foreman 4x4 w/PS				CRF230F	230	HA-1503	
TRX680FA Rincon	680	HA-6806	KN-111	CRF250R	250	HA-4503XD	KN-116
TRX680FGA Rincon GPScape	680	HA-6806		CRF250X	250	HA-2505XD	KN-116
TRX700XX	700	HA-6808	KN-112	CRF450R	444	HA-4503XD	KN-116
VFR800 Interceptor	782	HA-8098	KN-204	CRF450X	444	HA-2505XD	KN-116
VFR800A Interceptor ABS	782	HA-8098	KN-204	CR-V	2.4L L4 F/I	33-2377+	HP-1010 ¹
VT750C Shadow	750	HA-7504	KN-204	CR-V II	2.2L L4 DSL	33-2982	
VT750C Shadow Aero	750	HA-7504	KN-204	CR-V III	2.0L L4 F/I	33-2961	
VT750C2 Shadow Spirit	750	HA-7504	KN-204	CR-V III	2.2L L4 DSL	33-2982	
VTX1300C	1300	HA-1330	KN-204	Element	2.4L L4 F/I	33-2343+	HP-1010 ¹
VTX1300R	1300	HA-1330	KN-204	Fit	1.5L L4 F/I	33-2359 ♦	HP-1010 ¹
VTX1300T	1300	HA-1330	KN-204	FSC600 Silver Wing	582	HA-6002	KN-204
VTX1800C	1795	HA-1802	KN-204	GL1800 Gold Wing Airbag	1800	HA-1801	KN-204
VTX1800F	1795	HA-1802	KN-204	GL1800HPN Gold Wing ACN	1800	HA-1801	KN-204
VTX1800N	1795	HA-1802	KN-204	GL1800HPNA Gold Wing ACN ABS	1800	HA-1801	KN-204
VTX1800T	1795	HA-1802	KN-204	GL1800P Gold Wing PA	1800	HA-1801	KN-204
XL1000 Varadero	1000	HA-1003	KN-204	Jazz	1.2L L4 F/I - OEM 17220REAZ00	33-2872	
XR650L	650	HA-6592	KN-112	Jazz	1.4L L4 F/I - OEM 17220REAZ00	33-2872 ♦	
2007 HONDA				NPS50 Ruckus	49	HA-0502	
919	919	HA-9002	KN-204	NPS50S Ruckus	49	HA-0502	
Accord	2.4L L4 F/I	33-2276 ♦+	HP-1010 ¹	Odyssey	3.5L V6 F/I	33-2309+	HP-1010 ¹
Accord	3.0L V6 F/I	33-2277 ♦+	HP-1010 ¹	Pilot	3.5L V6 F/I	33-2200+	HP-1010 ¹
Accord Hybrid	3.0L V6 F/I	33-2299+	HP-1010 ¹	Ridgeline	3.5L V6 F/I	33-2323 ♦+	HP-1010 ¹
Accord VIII	2.0L L4 F/I - Non-US	33-2276 ♦		S2000	2.0L L4 F/I	E-2435 ♦	HP-1004 ¹
Accord VIII	2.4L L4 F/I - Non-US	33-2276 ♦	HP-1010 ¹	S2000	2.2L L4 F/I	E-2435 ♦	HP-1004 ¹
ARX1200N3 Aquatrax F-12	1235		KN-204	SH300i	300	HA-3011	
ARX1200T2 Aquatrax R-12X	1235		KN-204	ST1300	1300	HA-1302	KN-204
ARX1200T3 Aquatrax F-12X	1235		KN-204	ST1300 Pan European	1300	HA-1302	KN-204
CB600F	599	HA-5907		TRX250EX	225	HA-2501	
CB900F	919	HA-9002	KN-204	TRX250TE Recon ES	250	HA-2501	
CBF600	599	HA-5907		TRX250TM Recon	250	HA-2501	
CBF600S	599	HA-5907	KN-204	TRX300EX	300	HA-3094	KN-113
CBF1000 F	1000		KN-204	TRX400EX	397	HA-4099	KN-113
CBF1000 F Travel	1000		KN-204	TRX400FA Rancher AT	400	HA-3500	KN-111
CBR125R	125	HA-1502		TRX400FGA Rancher AT GPScape	397	HA-3500	KN-111
CBR600F	600		KN-204	TRX420FE FourTrax Rancher 4X4 ES	420	HA-4207	
CBR600RR	599	HA-6007	KN-204	TRX420FE FourTrax Rancher 4X4 ES	420 - w/Manual Trans.	HA-4207	KN-113
CBR600RR	599 - Race Specific	HA-6007R	KN-204	TRX420FM FourTrax Rancher 4X4	420	HA-4207	
CBR1000RR	999	HA-1004	KN-204	TRX420FM FourTrax Rancher 4X4	420 - w/Manual Trans.	HA-4207	KN-113
CBR1000RR	999 - Race Specific	HA-1004R	KN-204	TRX420TE FourTrax Rancher ES	420	HA-4207	
CHF50 Metropolitan	50	HA-0502		TRX420TE FourTrax Rancher ES	420 - w/Manual Trans.	HA-4207	KN-113
Civic	1.3L L4 F/I	33-2348+	HP-1010 ¹				
Civic	1.8L L4 F/I	33-2342 ♦+	HP-1010 ¹				
Civic GX	1.8L L4 F/I	33-2342 ♦+	HP-1010 ¹				

* 2 filters required ♦ Intake System Available - see page 81 +Cabin Air Filter Available - see page 453 1- Pro Series Filter Available

AIR & OIL FILTERS

HONDA

Vehicle	Engine Type	Air Filter	Oil Filter	Vehicle	Engine Type	Air Filter	Oil Filter
2007 HONDA				2006 HONDA			
TRX420TM FourTrax Rancher	420	HA-4207		CBR1000RR	999 - Race Specific	HA-1004R	KN-204
TRX420TM FourTrax Rancher	420 - w/Manual Trans.	HA-4207	KN-113	CBR1100XX Super Blackbird	1100	HA-1199	
TRX450ER	450	BD-6500	KN-116	CHF50 Metropolitan	50	HA-0502	
TRX450R	450	BD-6500	KN-116	Civic	1.3L L4 F/I	33-2348+	HP-1010 ¹
TRX500FA Foreman Rubicon	500	HA-5000	KN-111	Civic	1.8L L4 F/I	33-2342 ♦+	HP-1010 ¹
TRX500FGA Foreman Rubicon	500	HA-5000	KN-111	Civic GX	1.8L L4 F/I	33-2342 ♦+	HP-1010 ¹
GPScape				Civic Si	2.0L L4 F/I	33-2343 ♦+	HP-1010 ¹
TRX500FPE Foreman 4x4 ES w/PS	500	HA-5000	KN-113	Civic VI	1.6L L4 F/I - Exc., Sedan	33-2243 ♦	
TRX680FA Rincon	680	HA-6806	KN-111	Civic VII	1.3L L4 F/I	33-2348	HP-1010 ¹
TRX680FGA Rincon	680	HA-6806	KN-111	Civic VII	2.0L L4 F/I	E-2429 ♦	
GPScape				Civic VIII	1.8L L4 F/I	33-2342 ♦	HP-1010 ¹
VFR800 Interceptor	782	HA-8098	KN-204	CMX250C Rebel	234	HA-2596	
VFR800A Interceptor ABS	782	HA-8098	KN-204	CR85R	86	HA-8086	
VT600C Shadow VLX	600	HA-6199	KN-303	CR85R Expert	86	HA-8086	
VT600CD Shadow VLX Deluxe	600	HA-6199	KN-303	CRF100F	100	HA-1088	
VT750C Shadow Aero	750	HA-7504	KN-204	CRF150F	150	HA-1503	
VT750C2 Shadow Spirit	750	HA-7504	KN-204	CRF230F	230	HA-1503	
VT750DC Shadow Spirit	750	HA-7500	KN-303	CRF250R	250	HA-4503XD	KN-116
VT1100C Shadow Spirit	1100	HA-1187	KN-303	CRF250X	250	HA-2505XD	KN-116
VT1100C2 Shadow Sabre	1100	HA-1187	KN-303	CRF450R	444	HA-4503XD	KN-116
VTX1300C	1300	HA-1330	KN-204	CRF450X	444	HA-2505XD	KN-116
VTX1300R	1300	HA-1330	KN-204	CR-V	2.4L L4 F/I	E-2429+	HP-1010 ¹
VTX1300S	1300	HA-1330	KN-204	CR-V II	2.0L L4 F/I	E-2429	
VTX1800C	1795	HA-1802	KN-204	CR-V II	2.2L L4 DSL	33-2982	
VTX1800F	1795	HA-1802	KN-204	Element	2.4L L4 F/I	E-0771 ♦+	HP-1010 ¹
VTX1800R	1795	HA-1802	KN-204	Fit	1.5L L4 F/I		HP-1010 ¹
VTX1800T	1795	HA-1802	KN-204	FJS600 Silver Wing	600		KN-204
XR650L	650	HA-6592	KN-112	GL1800HP Gold Wing AC	1800	HA-1801	KN-204
XR650R	650	HA-6500	KN-112	GL1800HPN Gold Wing ACN	1800	HA-1801	KN-204
				GL1800HPNA Gold Wing ACN ABS	1800	HA-1801	KN-204
				GL1800P Gold Wing PA	1800	HA-1801	KN-204
				Insight	1.0L L3 F/I	33-2180	
				Jazz	1.2L L4 F/I - OEM 17220REAZ00	33-2872	
				Jazz	1.4L L4 F/I - OEM 17220REAZ00	33-2872 ♦	
				NPS50 Ruckus	49	HA-0502	
				NPS50S Ruckus	49	HA-0502	
				Odyssey	3.5L V6 F/I	33-2309+	HP-1010 ¹
				Pilot	3.5L V6 F/I	33-2200+	HP-1010 ¹
				PS250 Big Ruckus	250	HA-2500-1	
				RC51	1000	HA-5100	KN-204
				Ridgeline	3.5L V6 F/I	33-2323 ♦+	HP-1010 ¹
				S2000	2.0L L4 F/I	E-2435 ♦	HP-1004 ¹
				S2000	2.2L L4 F/I	E-2435 ♦	HP-1004 ¹
				SH125	125	HA-1510	
				ST1300	1300	HA-1302	KN-204
				ST1300 Pan European	1300	HA-1302	KN-204
				TRX90	90	HA-1088	
				TRX250EX	225	HA-2501	
				TRX250TE Recon ES	250	HA-2501	
				TRX250TM Recon	250	HA-2501	
				TRX300EX	300	HA-3094	KN-113
				TRX350FE Rancher 4x4 ES	350	HA-3500	KN-113
				TRX350FM Rancher 4x4	350	HA-3500	KN-113
				TRX350TE Rancher ES	350	HA-3500	KN-113
				TRX350TM Rancher	350	HA-3500	KN-113

* 2 filters required ♦ Intake System Available - see page 81 +Cabin Air Filter Available - see page 453 1- Pro Series Filter Available

Partial Listing - Complete List of Vehicles and Applications at knfilters.com

HONDA

AIR & OIL FILTERS

Vehicle	Engine Type	Air Filter	Oil Filter	Vehicle	Engine Type	Air Filter	Oil Filter
2006 HONDA				2005 HONDA			
TRX400EX	397	HA-4099	KN-113	CHF50 Metropolitan	50	HA-0502	
TRX400FA Rancher AT	400	HA-3500	KN-111	Civic	1.3L L4 F/I	33-2338+	HP-1010 ¹
TRX400FGA Rancher AT GPScape	397	HA-3500	KN-111	Civic DX	1.7L L4 F/I	33-2192 ♦+	HP-1010 ¹
TRX450ER	450	BD-6500	KN-116	Civic EX	1.7L L4 F/I	33-2192 ♦+	HP-1010 ¹
TRX450R	450	BD-6500	KN-116	Civic GX	1.7L L4 F/I	33-2192+	HP-1010 ¹
TRX500FA Foreman Rubicon	500	HA-5000	KN-111	Civic HX	1.7L L4 F/I	33-2192+	HP-1010 ¹
TRX500FGA Foreman Rubicon GPScape	500	HA-5000	KN-111	Civic LX	1.7L L4 F/I	33-2192 ♦+	HP-1010 ¹
TRX500TM Foreman	500	HA-5000	KN-113	Civic Si	1.7L L4 F/I	33-2192 ♦+	HP-1010 ¹
TRX680FA Rincon	680	HA-6806	KN-111	Civic Si	2.0L L4 F/I	E-2429 ♦+	HP-1010 ¹
TRX680FGA Rincon GPScape	680	HA-6806	KN-111	Civic Value Package	1.7L L4 F/I	33-2192 ♦+	HP-1010 ¹
VFR800 Interceptor	782	HA-8098	KN-204	Civic VI	1.3L L4 F/I		HP-1010 ¹
VFR800A Interceptor ABS	782	HA-8098	KN-204	Civic VI	1.4L L4 F/I	33-2243 ♦	
VT600C Shadow VLX	600	HA-6199	KN-303	Civic VI	1.6L L4 F/I - Exc., Sedan	33-2243 ♦	
VT600CD Shadow VLX Deluxe	600	HA-6199	KN-303	Civic VI	1.7L L4 F/I	33-2192 ♦	HP-1010 ¹
VT750C Shadow Aero	745	HA-7504	KN-204	Civic VI	2.0L L4 F/I	E-2429 ♦	
VT750C2 Shadow Spirit	750	HA-7504	KN-204	Civic VII	1.3L L4 F/I		HP-1010 ¹
VT750DC Shadow Spirit	750	HA-7500	KN-303	Civic VIII	1.8L L4 F/I	33-2342 ♦	
VT1100C Shadow Spirit	1100	HA-1187	KN-303	CMX250C Rebel	234	HA-2596	
VT1100C2 Shadow Sabre	1100	HA-1187	KN-303	CR85R	86	HA-8086	
VTX1300C	1300	HA-1330	KN-204	CR85R Expert	86	HA-8086	
VTX1300R	1300	HA-1330	KN-204	CRF80F	80	HA-1088	
VTX1300S	1300	HA-1330	KN-204	CRF100F	100	HA-1088	
VTX1800C	1795	HA-1802	KN-204	CRF150F	150	HA-1503	
VTX1800F	1800	HA-1802	KN-204	CRF230F	230	HA-1503	
VTX1800N	1800	HA-1802	KN-204	CRF250R	250	HA-4503XD	KN-116
VTX1800R	1800	HA-1802	KN-204	CRF250X	250	HA-2505XD	KN-116
VTX1800S	1800	HA-1802	KN-204	CRF450R	444	HA-4503XD	KN-116
XR650L	650	HA-6592	KN-112	CRF450X	444	HA-2505XD	KN-116
XR650R	650	HA-6500	KN-112	CR-V	2.4L L4 F/I	E-2429+	HP-1010 ¹
2005 HONDA				CR-V II	2.0L L4 F/I	E-2429	
919	919	HA-9002	KN-204	CR-V II	2.2L L4 DSL	33-2982	
Accord	2.4L L4 F/I	33-2276 ♦+	HP-1010 ¹	Element	2.4L L4 F/I	E-0771 ♦+	HP-1010 ¹
Accord	3.0L V6 F/I	33-2277 ♦+	HP-1010 ¹	FSC600 Silver Wing	582	HA-6002	KN-204
Accord Hybrid	3.0L V6 F/I	33-2299+	HP-1010 ¹	GL1800 Gold Wing	1800	HA-1801	KN-204
Accord VIII	2.0L L4 F/I - Non-US	33-2276 ♦		GL1800A Gold Wing ABS	1800	HA-1801	KN-204
Accord VIII	2.4L L4 F/I - Non-US	33-2276 ♦	HP-1010 ¹	Insight	1.0L L3 F/I	33-2180	
ARX1200N3 Aquatrax F-12	1235		KN-204	Jazz	1.4L L4 F/I - OEM 17220REA200	33-2872 ♦	
ARX1200T2 Aquatrax R-12X	1235		KN-204	NPS50 Ruckus	49	HA-0502	
ARX1200T3 Aquatrax F-12X	1235		KN-204	NPS50S Ruckus	49	HA-0502	
CB600F Hornet	600		KN-204	NRX1800 Valkyrie	1832		KN-204
CB1300 Super Four	1300	HA-1301	KN-204	Rune			
CBF600F	600	HA-6098		Odyssey	3.5L V6 F/I	33-2309+	HP-1010 ¹
CBF600S	599	HA-6098	KN-204	Pilot	3.5L V6 F/I	33-2200+	HP-1010 ¹
CBR600F	600	HA-6001	KN-204	PS250 Big Ruckus	250	HA-2500-1	
CBR600F4i	600	HA-6001	KN-204	RC51	990	HA-5100	KN-204
CBR600RR	599	HA-6003	KN-204	S2000	2.0L L4 F/I	E-2435 ♦	HP-1004 ¹
CBR1000RR	999	HA-1004	KN-204	S2000	2.2L L4 F/I	E-2435 ♦	HP-1004 ¹
CBR1000RR	999 - Race Specific	HA-1004R	KN-204	ST1300	1300	HA-1302	KN-204
CBR1100XX Super Blackbird	1100	HA-1199		ST1300 Pan European	1300	HA-1302	KN-204
				TRX90	90	HA-1088	
				TRX250EX	225	HA-2501	
				TRX250TE Recon ES	250	HA-2501	
				TRX250TM Recon	250	HA-2501	
				TRX300EX	300	HA-3094	KN-113
				TRX350FE Rancher 4x4 ES	350	HA-3500	KN-113
				TRX350FM Rancher 4x4	350	HA-3500	KN-113
				TRX350TE Rancher ES	350	HA-3500	KN-113
				TRX350TM Rancher	325	HA-3500	KN-113

* 2 filters required ♦ Intake System Available - see page 81 +Cabin Air Filter Available - see page 453 1- Pro Series Filter Available

AIR & OIL FILTERS

HONDA

Vehicle	Engine Type	Air Filter	Oil Filter	Vehicle	Engine Type	Air Filter	Oil Filter
2005 HONDA				2004 HONDA			
TRX400EX	397	HA-4099	KN-113	Civic	1.3L L4 F/I	33-2338+	HP-1010 ¹
TRX400FA Rancher AT	400	HA-3500	KN-111	Civic DX	1.7L L4 F/I	33-2192 ♦+	HP-1010 ¹
TRX400FGA Rancher AT GPScape	397	HA-3500	KN-111	Civic EX	1.7L L4 F/I	33-2192 ♦+	HP-1010 ¹
TRX450R	444	HA-4504	KN-116	Civic GX	1.7L L4 F/I	33-2192+	HP-1010 ¹
TRX500FA Foreman Rubicon	500	HA-5000	KN-111	Civic HX	1.7L L4 F/I	33-2192+	HP-1010 ¹
TRX500FGA Foreman Rubicon GPScape	500	HA-5000	KN-111	Civic LX	1.7L L4 F/I	33-2192 ♦+	HP-1010 ¹
TRX500TM Foreman	500	HA-5000	KN-113	Civic Si	1.7L L4 F/I	33-2192 ♦+	HP-1010 ¹
TRX650FA Rincon	644	HA-5000	KN-111	Civic Si	2.0L L4 F/I	E-2429 ♦+	HP-1010 ¹
TRX650FGA Rincon GPScape	650	HA-5000	KN-111	Civic Value Package	1.7L L4 F/I	33-2192 ♦+	HP-1010 ¹
VFR800 Interceptor	782	HA-8098	KN-204	Civic VI	1.3L L4 F/I	33-2192 ♦+	HP-1010 ¹
VFR800A Interceptor ABS	782	HA-8098	KN-204	Civic VI	1.4L L4 F/I	33-2243 ♦	
VT600C Shadow VLX	600	HA-6199	KN-303	Civic VI	1.6L L4 F/I - Exc., Sedan	33-2243 ♦	
VT600CD Shadow VLX Deluxe	600	HA-6199	KN-303	Civic VI	1.7L L4 F/I	33-2192 ♦	HP-1010 ¹
VT750C Shadow Aero	750	HA-7504	KN-204	Civic VI	2.0L L4 F/I	E-2429 ♦	
VT750C2 Shadow Spirit	750	HA-7504	KN-204	CMX250C Rebel	234	HA-2596	
VT750DC Shadow Spirit	750	HA-7500	KN-303	CR85R	85	HA-8086	
VT1100C Shadow Spirit	1100	HA-1187	KN-303	CR85R Expert	85	HA-8086	
VT1100C2 Shadow Sabre	1100	HA-1187	KN-303	CRF80F	80	HA-1088	
VTR1000 Super Hawk	1000	HA-0011	KN-204	CRF100F	100	HA-1088	
VTX1300C	1284	HA-1330	KN-204	CRF150F	150	HA-1503	
VTX1300R	1284	HA-1330	KN-204	CRF230F	230	HA-1503	
VTX1300S	1284	HA-1330	KN-204	CRF250R	250	HA-4503XD	KN-116
VTX1800C	1795	HA-1802	KN-204	CRF250X	250	HA-2505XD	KN-116
VTX1800F	1800	HA-1802	KN-204	CRF450R	444	HA-4503XD	KN-116
VTX1800N	1800	HA-1802	KN-204	CR-V	2.4L L4 F/I	E-2429 ♦+	HP-1010 ¹
VTX1800R	1800	HA-1802	KN-204	CR-V II	2.0L L4 F/I	E-2429	
VTX1800S	1800	HA-1802	KN-204	CR-V II	2.2L L4 DSL	33-2982	
XR650L	650	HA-6592	KN-112	Element	2.4L L4 F/I	E-0771 ♦+	HP-1010 ¹
2004 HONDA				2004 HONDA			
599	599	HA-6098	KN-204	FSC600 Silver Wing	582	HA-6002	KN-204
919	919	HA-9002	KN-204	GL1800 Gold Wing	1800	HA-1801	KN-204
Accord	2.4L L4 F/I	33-2276 ♦+	HP-1010 ¹	GL1800A Gold Wing ABS	1800	HA-1801	KN-204
Accord	3.0L V6 F/I	33-2277 ♦+	HP-1010 ¹	Insight	1.0L L3 F/I	33-2180	
Accord VIII	2.0L L4 F/I - Non-US	33-2276 ♦		Jazz	1.2L L4 F/I - OEM	33-2872	
Accord VIII	2.4L L4 F/I - Non-US	33-2276 ♦	HP-1010 ¹	Jazz	1.2L L4 F/I - OEM	33-2872	
ARX1200N2 Aquatrax R-12	1235		KN-204	Jazz	1.4L L4 F/I - OEM	33-2872 ♦	
ARX1200T2 Aquatrax R-12X	1235		KN-204	Jazz	1.4L L4 F/I - OEM	33-2872 ♦	
ARX1200T3 Aquatrax F-12X	1235		KN-204	Jazz	1.5L L4 F/I - OEM	33-2872	
CB600 Hornet	600	HA-6098	KN-204	Jazz	1.7220REAZ00	33-2872	
CB600F	600		KN-204	NPS50 Ruckus	49	HA-0502	
CB600F Hornet	600		KN-204	NPS50S Ruckus	49	HA-0502	
CB900F	919	HA-9002	KN-204	NRX1800 Valkyrie	1832		KN-204
CBF600S	599	HA-6098		Rune			
CBR600F	600	HA-6001	KN-204	Odyssey	3.5L V6 F/I	33-2174+	HP-1004 ¹
CBR600F4i	600	HA-6001	KN-204	Pilot	3.5L V6 F/I	33-2200+	HP-1010 ¹
CBR600RR	599	HA-6003	KN-204	RC51	990	HA-5100	KN-204
CBR1000RR	999	HA-1004	KN-204	S2000	2.0L L4 F/I	E-2435 ♦	HP-1004 ¹
CBR1000RR	999 - Race Specific	HA-1004R	KN-204	S2000	2.2L L4 F/I	E-2435 ♦	HP-1004 ¹
CHF50 Metropolitan	50	HA-0502		ST1300	1300	HA-1302	KN-204
				ST1300 Pan European	1300	HA-1302	KN-204
				TRX90	90	HA-1088	
				TRX250EX	225	HA-2501	
				TRX250TE Recon ES	250	HA-2501	
				TRX250TM Recon	250	HA-2501	
				TRX300EX	300	HA-3094	KN-113
				TRX350FE Rancher 4x4 ES	350	HA-3500	KN-113

* 2 filters required ♦ Intake System Available - see page 81 +Cabin Air Filter Available - see page 453 1- Pro Series Filter Available

HONDA

AIR & OIL FILTERS

Vehicle	Engine Type	Air Filter	Oil Filter	Vehicle	Engine Type	Air Filter	Oil Filter
2004 HONDA				2003 HONDA			
TRX350FM Rancher 4x4	350	HA-3500	KN-113	CBR600RR	599	HA-6003	KN-204
TRX350TE Rancher ES	350	HA-3500	KN-113	CBR900RR Fireblade	900	HA-9502	KN-204
TRX350TM Rancher	325	HA-3500	KN-113	CBR954RR	954	HA-9502	KN-204
TRX400EX	397	HA-4099	KN-113	CBR1100XX Super Blackbird	1100	HA-1199	KN-303
TRX400FA Rancher AT	400	HA-3500	KN-111	CHF50 Metropolitan	50	HA-0502	
TRX400FGA Rancher AT GPScape	397	HA-3500	KN-111	Civic	1.3L L4 F/I	33-2338+	HP-1010 ¹
TRX450FE Foreman ES	450	HA-3098	KN-113	Civic DX	1.7L L4 F/I	33-2192 ♦+	HP-1010 ¹
TRX450FM Foreman S	450	HA-3098	KN-113			33-2192 ♦+	HP-1010 ¹
TRX450R	444	HA-4504	KN-116	Civic EX	1.7L L4 F/I	33-2192 ♦+	HP-1010 ¹
TRX500FA Foreman Rubicon	500	HA-5000	KN-111	Civic GX	1.7L L4 F/I	33-2192+	HP-1010 ¹
TRX500FGA Foreman Rubicon GPScape	500	HA-5000	KN-111	Civic HX	1.7L L4 F/I	33-2192+	HP-1010 ¹
TRX650FA Rincon	644	HA-5000	KN-111			33-2192 ♦+	HP-1010 ¹
TRX650FGA Rincon GPScape	650	HA-5000	KN-111	Civic LX	1.7L L4 F/I	33-2192 ♦+	HP-1010 ¹
VFR800 Interceptor	782	HA-8098	KN-204	Civic Si	1.7L L4 F/I	33-2192 ♦+	HP-1010 ¹
VFR800A Interceptor ABS	782	HA-8098	KN-204	Civic Si	2.0L L4 F/I	E-2429 ♦+	HP-1010 ¹
VT600C Shadow VLX	600	HA-6199	KN-303	Civic VI	1.4L L4 F/I	33-2243 ♦	
VT600CD Shadow VLX Deluxe	600	HA-6199	KN-303	Civic VI	1.6L L4 F/I - Exc., Sedan	33-2243 ♦	
VT750C Shadow Aero	750	HA-7504	KN-204				
VT750C2 Shadow Spirit	750		KN-204	Civic VI	1.7L L4 F/I	33-2192 ♦	HP-1010 ¹
VT750DC Shadow Spirit	750		KN-303	Civic VI	2.0L L4 F/I	E-2429 ♦	
VT1100C Shadow Spirit	1100	HA-1187	KN-303	CMX250C Rebel	234	HA-2596	
VT1100C2 Shadow Sabre	1100	HA-1187	KN-303	CR85R	85	HA-8086	
VTR1000 Super Hawk	1000	HA-0011	KN-204	CR85R Expert	85	HA-8086	
VTX1300 Retro	1284	HA-1330	KN-204	CRF150F	150	HA-1503	
VTX1300C	1284	HA-1330	KN-204	CRF230F	230	HA-1503	
VTX1300S	1284	HA-1330	KN-204	CRF450R	444	HA-4503XD	KN-116
VTX1800C	1795	HA-1802	KN-204	CR-V	2.4L L4 F/I	E-2429 ♦+	HP-1010 ¹
VTX1800N	1800	HA-1802	KN-204	CR-V II	2.0L L4 F/I	E-2429	
VTX1800R	1800	HA-1802	KN-204	Element	2.4L L4 F/I	E-0771 ♦+	HP-1010 ¹
VTX1800S	1800	HA-1802	KN-204	FJS600 Silver Wing	600	HA-6002	KN-204
XR250R	250	HA-1312	KN-112	FSC600 Silver Wing	582	HA-6002	KN-204
XR400R	397	HA-1314	KN-112	GL1500C Valkyrie	1500	HA-1596	KN-303
XR650L	650	HA-6592	KN-112	GL1800 Gold Wing	1800	HA-1801	KN-204
XR650R	650	HA-6500	KN-112	GL1800A Gold Wing ABS	1800	HA-1801	KN-204
				Insight	1.0L L3 F/I	33-2180	
				Jazz	1.4L L4 F/I - OEM 17220REAZ00	33-2872 ♦	
				NPS50 Ruckus	49	HA-0502	
				NSS250 Reflex	250	HA-2500-1	
				Odyssey	3.5L V6 F/I	33-2174+	HP-1004 ¹
				Pilot	3.5L V6 F/I	33-2200+	HP-1004 ¹
				RC51	990	HA-5100	KN-204
				S2000	2.0L L4 F/I	E-2435 ♦	HP-1004 ¹
				ST1300	1300	HA-1302	KN-204
				ST1300 Pan European	1300	HA-1302	KN-204
				TRX250EX	225	HA-2501	
				TRX250TE Recon ES	250	HA-2501	
				TRX250TM Recon	250	HA-2501	
				TRX300EX	300	HA-3094	KN-113
				TRX350FE Rancher 4x4 ES	350	HA-3500	KN-113
				TRX350FM Rancher 4x4	350	HA-3500	KN-113
				TRX350TE Rancher ES	350	HA-3500	KN-113
				TRX350TM Rancher	325	HA-3500	KN-113
				TRX400EX	397	HA-4099	KN-113
				TRX400FW Foreman 4x4	395	HA-3098	KN-113
				TRX450FE Foreman ES	433	HA-3098	KN-113
2003 HONDA							
919	919	HA-9002	KN-204				
Accord	2.4L L4 F/I	33-2276 ♦+	HP-1010 ¹				
Accord	3.0L V6 F/I	33-2277 ♦+	HP-1010 ¹				
Accord VII	1.8L L4 F/I	33-2124					
Accord VII	2.0L L4 F/I	33-2124					
Accord VII	3.0L V6 F/I	33-2133	HP-1004 ¹				
Accord VIII	2.0L L4 F/I - Non-US	33-2276 ♦					
Accord VIII	2.4L L4 F/I - Non-US	33-2276 ♦	HP-1010 ¹				
CB600 Hornet	600	HA-6098	KN-303				
CB750 Nighthawk	750	HA-7591	KN-303				
CB900F	919	HA-9002	KN-204				
CBR600F	600	HA-6001	KN-204				
CBR600F4i	600	HA-6001	KN-204				

* 2 filters required ♦ Intake System Available - see page 81 +Cabin Air Filter Available - see page 453 1- Pro Series Filter Available

AIR & OIL FILTERS

HONDA

Vehicle	Engine Type	Air Filter	Oil Filter	Vehicle	Engine Type	Air Filter	Oil Filter
2003 HONDA				2002 HONDA			
TRX450FM Foreman S	433	HA-3098	KN-113	Civic Si	1.7L L4 F/I	33-2192 ♦♦	HP-1010 ¹
TRX500FA Foreman Rubicon	500	HA-5000	KN-111	Civic Si	2.0L L4 F/I	E-2429 ♦♦	HP-1010 ¹
TRX650FA Rincon	644	HA-5000	KN-111	CMX250C Rebel	234	HA-2596	
VF750C Magna	750	HA-7594	KN-303	CRF450R	444	HA-4502	KN-116
VFR800 Interceptor	782	HA-8098	KN-204	CR-V	2.4L L4 F/I	E-2429 ♦♦	HP-1010 ¹
VFR800A Interceptor ABS	782	HA-8098	KN-204	CR-V I	2.0L L4 F/I	33-2104	
VT600C Shadow VLX	600	HA-6199	KN-303	CR-V II	2.0L L4 F/I	E-2429	
VT600CD Shadow VLX Deluxe	600	HA-6199	KN-303	FSC600 Silver Wing	582	HA-6002	KN-204
VT750CD Shadow A.C.E. Deluxe	750	HA-7500	KN-303	GL1500C Valkyrie	1520	HA-1596	KN-303
VT750DC Shadow Spirit	750	HA-7500	KN-303	GL1800 Gold Wing	1800	HA-1801	KN-204
VT1100C Shadow Spirit	1100	HA-1187	KN-303	GL1800A Gold Wing ABS	1800	HA-1801	KN-204
VT1100C2 Shadow Sabre	1100	HA-1187	KN-303	Insight	1.0L L3 F/I	33-2180	
VTR1000 Firestorm	1000	HA-0011		Jazz	1.4L L4 F/I - OEM 17201PWA010	33-2917 ♦	
VTR1000 Super Hawk	1000	HA-0011	KN-204	Jazz	1.4L L4 F/I - OEM 17220REA200	33-2872 ♦	
VTX1300S	1284	HA-1330	KN-204	NSS250 Reflex	250	HA-2500-1	
VTX1800 Retro	1795	HA-1802	KN-204	Odyssey	3.5L V6 F/I	33-2174+	HP-1004 ¹
VTX1800C	1795	HA-1802	KN-204	Passport	3.2L V6 F/I	33-2108	HP-1004 ¹
VTX1800R	1795	HA-1802	KN-204	RC51	990	HA-5100	KN-204
VTX1800S	1800	HA-1802	KN-204	S2000	2.0L L4 F/I	E-2435 ♦	HP-1004 ¹
XR80R	80	HA-1088		ST1100	1100	HA-1191	KN-303
XR100R	100	HA-1088		TRX250EX	225	HA-2501	
XR250R	250	HA-1312	KN-112	TRX250TE Recon ES	250	HA-2501	
XR400R	400	HA-1314	KN-112	TRX250TM Recon	250	HA-2501	
XR650L	650	HA-6592	KN-112	TRX300EX	300	HA-3094	KN-113
XR650R	650	HA-6500	KN-112	TRX350FE Rancher 4x4 ES	350	HA-3500	KN-113
				TRX350FM Rancher 4x4	350	HA-3500	KN-113
				TRX350TE Rancher ES	350	HA-3500	KN-113
				TRX350TM Rancher	325	HA-3500	KN-113
				TRX400EX	397	HA-4099	KN-113
				TRX400FW Foreman 4x4	395	HA-3098	KN-113
				TRX450FE Foreman ES	433	HA-3098	KN-113
				TRX450FM Foreman S	450	HA-3098	KN-113
				TRX450S Foreman S	450		KN-113
				TRX500FA Foreman Rubicon	500	HA-5000	KN-111
				VF750C Magna	750	HA-7594	KN-303
				VFR800 Interceptor	782	HA-8098	KN-204
				VFR800A Interceptor ABS	782	HA-8098	KN-204
				VT600C Shadow VLX	600	HA-6199	KN-303
				VT600CD Shadow VLX Deluxe	600	HA-6199	KN-303
				VT750C Shadow	750		KN-303
				VT750CD Shadow A.C.E. Deluxe	750	HA-7500	KN-303
				VT750DC Shadow Spirit	750	HA-7500	KN-303
				VT1100C Shadow Spirit	1100	HA-1187	KN-303
				VT1100C2 Shadow Sabre	1100	HA-1187	KN-303
				VTR1000 Firestorm	1000	HA-0011	KN-303
				VTR1000 Super Hawk	1000	HA-0011	KN-204
				VTX1800 Retro	1795	HA-1802	KN-204
				VTX1800C	1795	HA-1802	KN-204
				VTX1800R	1795	HA-1802	KN-204
				VTX1800S	1800	HA-1802	KN-204

* 2 filters required ♦ Intake System Available - see page 81 +Cabin Air Filter Available - see page 453 1- Pro Series Filter Available

HONDA

AIR & OIL FILTERS

Vehicle	Engine Type	Air Filter	Oil Filter	Vehicle	Engine Type	Air Filter	Oil Filter
2002 HONDA				2001 HONDA			
XL1000 Varadero	1000	HA-0011	KN-303	TRX350FE Rancher 4x4 ES	350	HA-3500	KN-113
XR80R	80	HA-1088		TRX350FM Rancher 4x4	350	HA-3500	KN-113
XR100R	100	HA-1088		TRX350TE Rancher ES	350	HA-3500	KN-113
XR200R	200	HA-2584		TRX350TM Rancher	350	HA-3500	KN-113
XR250R	250	HA-1312	KN-112	TRX400EX	397	HA-4099	KN-113
XR400R	400	HA-1314	KN-112	TRX400FW Foreman 4x4	395	HA-3098	KN-113
XR650L	650	HA-6592	KN-112	TRX450ES Foreman ES	433	HA-3098	KN-113
XR650R	650	HA-6500	KN-112	TRX450S Foreman S	450	HA-3098	KN-113
2001 HONDA				2000 HONDA			
Accord	2.3L L4 F/I	33-2124+	HP-1004 ¹	Accord	2.3L L4 F/I	33-2124+	HP-1004 ¹
Accord	3.0L V6 F/I	33-2133 ♦+	HP-1004 ¹	Accord	3.0L V6 F/I	33-2133 ♦+	HP-1004 ¹
Accord VII	1.8L L4 F/I	33-2124		Accord VII	1.8L L4 F/I	33-2124	
Accord VII	2.0L L4 F/I	33-2124		Accord VII	2.0L L4 F/I	33-2124	
Accord VII	2.2L L4 F/I	33-2124 ♦		Accord VII	2.2L L4 F/I	33-2124 ♦	
Accord VII	3.0L V6 F/I	33-2133	HP-1004 ¹	Accord VII	3.0L V6 F/I	33-2133	HP-1004 ¹
CB750 Nighthawk	750		KN-303	CB400 VTEC	400	HA-4098	
CBR600F	600	HA-6001	KN-204	CB400SF	400	HA-4020	
CBR600F4i	600	HA-6001	KN-204	CB750 F2	750		KN-303
CBR900RR Fireblade	900	HA-9200	KN-303	CB750 Nighthawk	750	HA-7591	KN-303
CBR929RR	929	HA-9200	KN-204	CBR600F4	600	HA-6099	KN-303
CBR1100XX Super Blackbird	1100	HA-1199	KN-303	CBR900RR Fireblade	900	HA-9200	KN-303
Civic DX	1.7L L4 F/I	33-2192 ♦+	HP-1010 ¹	CBR929RR	929	HA-9200	KN-204
		33-2192 ♦+	HP-1010 ¹	CBR1100XX Super Blackbird	1100	HA-1199	KN-303
Civic EX	1.7L L4 F/I	33-2192 ♦+	HP-1010 ¹	Civic CX	1.6L L4 F/I	33-2120	HP-1004 ¹
		33-2192 ♦+	HP-1010 ¹	Civic DX	1.6L L4 F/I	33-2120	HP-1004 ¹
Civic GX	1.7L L4 F/I	33-2192+	HP-1010 ¹	Civic EX	1.6L L4 F/I	33-2104 ♦	HP-1004 ¹
Civic HX	1.7L L4 F/I	33-2192+	HP-1010 ¹	Civic GX	1.6L L4 F/I	33-2104	HP-1004 ¹
		33-2192 ♦+	HP-1010 ¹	Civic HX	1.6L L4 F/I	33-2104	HP-1004 ¹
Civic LX	1.7L L4 F/I	33-2192 ♦+	HP-1010 ¹	Civic LX	1.6L L4 F/I	33-2120	HP-1004 ¹
		33-2192 ♦+	HP-1010 ¹	Civic Si	1.6L L4 F/I	33-2104 ♦	HP-1004 ¹
Civic VI	1.7L L4 F/I	33-2192 ♦	HP-1010 ¹	Civic V	1.4L L4 F/I - D14A3 Eng, D14A4 Eng.	33-2036 ♦	
Civic VI	2.0L L4 F/I	E-2429 ♦					
CMX250C Rebel	234	HA-2596					
CR125R	125	HA-2591					
CR250R	250	HA-2591					
CR500R	500	HA-2591					
CR80R	82	HA-8086					
CR-V	2.0L L4 F/I	33-2104	HP-1004 ¹				
CR-V I	2.0L L4 F/I	33-2104	HP-1004 ¹				
GL1500 Valkyrie Interstate	1520	HA-1596	KN-303				
GL1500C Valkyrie	1520	HA-1596	KN-303				
GL1800 Gold Wing	1800	HA-1801	KN-204				
GL1800A Gold Wing ABS	1800	HA-1801	KN-204				
Insight	1.0L L3 F/I	33-2180	HP-1008 ¹				
Integra Type R	1.8L L4 F/I	E-2427					
Jazz	1.4L L4 F/I - OEM 17220REAZ00	33-2872					
Odyssey	3.5L V6 F/I	33-2174+	HP-1004 ¹				
Passport	3.2L V6 F/I	33-2108	HP-1004 ¹				
Prelude	2.2L L4 F/I	33-2090	HP-1004 ¹				
Prelude V	2.2L L4 F/I		HP-1004 ¹				
RC51	990	HA-5100	KN-204				
S2000	2.0L L4 F/I	E-2435 ♦	HP-1004 ¹				
ST1100	1100	HA-1191	KN-303				
ST1100 ABS II	1100	HA-1191	KN-303				
TRX250 Recon	250	HA-2597					
TRX250EX	225	HA-2501					
TRX300 Fourtrax	280	HA-3098	KN-113				
TRX300EX	300	HA-3094	KN-113				
TRX300FW Fourtrax 4x4	300		KN-113				

* 2 filters required ♦ Intake System Available - see page 81 +Cabin Air Filter Available - see page 453 1- Pro Series Filter Available

AIR & OIL FILTERS

HONDA

Vehicle	Engine Type	Air Filter	Oil Filter	Vehicle	Engine Type	Air Filter	Oil Filter
2000 HONDA				2000 HONDA			
Civic V	1.4L L4 F/I - D14A7 Eng., D14A8 Eng.	33-2047 ♦		VT1100C Shadow Spirit	1100	HA-1187	KN-303
Civic V	1.5L L4 F/I - 3/4-Door	33-2104 ♦		VT1100C2 Shadow Sabre	1100	HA-1187	KN-303
Civic V	1.5L L4 F/I - 5-door & AeroDeck	33-2047 ♦		VT1100C3 Shadow Aero	1100	HA-1187	KN-303
Civic V	1.6L L4 F/I - 105BHP	33-2036 ♦		VT1100T Shadow A.C.E. Tourer	1100	HA-1187	KN-303
Civic V	1.6L L4 F/I - 114/160BHP	33-2104 ♦		VTR1000 SP-1	1000	HA-5100	KN-303
Civic V	1.6L L4 F/I - 116/125BHP	33-2047 ♦		VTR1000 Super Hawk	1000	HA-0011	KN-204
Civic V	1.8L L4 F/I	33-2234 ♦		XR80R	80	HA-1088	
Civic V	2.0L L4 DSL	33-2761		XR100R	100	HA-1088	
CMX250C Rebel	234	HA-2596		XR200R	200	HA-2584	
CR125R	125	HA-2591		XR400R	400	HA-1314	KN-112
CR250R	250	HA-2591		XR600R	600	HA-1315	KN-112
CR-V	2.0L L4 F/I	33-2104	HP-1004 ¹	XR650L	650	HA-6592	KN-112
CR-V I	2.0L L4 F/I	33-2104	HP-1004 ¹	XR650R	650	HA-6500	KN-112
GL1500 Valkyrie Interstate	1520	HA-1596	KN-303	1999 HONDA			
GL1500A Gold Wing Aspencade	1520	HA-8088	KN-303	Accord	2.3L L4 F/I	33-2124+	HP-1004 ¹
GL1500C Valkyrie	1520	HA-1596	KN-303	Accord	3.0L V6 F/I	33-2133 ♦+	HP-1004 ¹
GL1500CT Valkyrie Tourer	1520	HA-1596	KN-303	Accord VII	1.8L L4 F/I	33-2124	
GL1500SE Gold Wing SE	1520	HA-8088	KN-303	Accord VII	2.0L L4 F/I	33-2124	
Insight	1.0L L3 F/I	33-2180	HP-1008 ¹	Accord VII	2.2L L4 F/I	33-2124 ♦	
Integra Type R	1.8L L4 F/I	E-2427		Accord VII	3.0L V6 F/I	33-2133	HP-1004 ¹
Odyssey	3.5L V6 F/I	33-2174+	HP-1004 ¹	CB400 VTEC	400	HA-4098	
Passport	3.2L V6 F/I	33-2108	HP-1004 ¹	CB600 Hornet	600	HA-6098	
Prelude	2.2L L4 F/I	33-2090	HP-1004 ¹	CB750 Nighthawk	750	HA-7591	KN-303
Prelude V	2.0L L4 F/I	33-2090		CBR600F4	600	HA-6099	KN-303
Prelude V	2.2L L4 F/I	33-2090	HP-1004 ¹	CBR900RR	900	HA-9092-A	KN-303
RC51	990	HA-5100	KN-204	CBR1100XX Super Blackbird	1100	HA-1199	KN-303
S2000	2.0L L4 F/I	E-2435 ♦	HP-1004 ¹	Civic CX	1.6L L4 F/I	33-2120	HP-1004 ¹
ST1100	1100	HA-1191	KN-303	Civic DX	1.6L L4 F/I	33-2120	HP-1004 ¹
ST1100 ABS II	1100	HA-1191	KN-303	Civic EX	1.6L L4 F/I	33-2104 ♦	HP-1004 ¹
ST1100 Pan European	1100		KN-303	Civic GX	1.6L L4 F/I	33-2104	HP-1004 ¹
TRX250 Recon	250	HA-2597		Civic HX	1.6L L4 F/I	33-2104	HP-1004 ¹
TRX300 Fourtrax	280	HA-3098	KN-113			33-2104 ♦	HP-1004 ¹
TRX300EX	300	HA-3094	KN-113	Civic LX	1.6L L4 F/I	33-2120	HP-1004 ¹
TRX300FW Fourtrax 4x4	300	HA-3098	KN-113	Civic Si	1.6L L4 F/I	33-2104 ♦	HP-1004 ¹
TRX350FE Rancher 4x4 ES	350	HA-3500	KN-113	Civic V	1.4L L4 F/I - D14A3 Eng, D14A4 Eng.	33-2036 ♦	
TRX350FM Rancher 4x4	350	HA-3500	KN-113	Civic V	1.4L L4 F/I - D14A7 Eng., D14A8 Eng.	33-2047 ♦	
TRX350TE Rancher ES	350	HA-3500	KN-113	Civic V	1.5L L4 F/I - 3/4-Door	33-2104 ♦	
TRX400EX	397	HA-4099	KN-113	Civic V	1.5L L4 F/I - 5-door & AeroDeck	33-2047 ♦	
TRX400FW Foreman 4x4	395	HA-3098	KN-113	Civic V	1.6L L4 F/I - 105BHP	33-2036 ♦	
TRX450ES Foreman ES	433	HA-3098	KN-113	Civic V	1.6L L4 F/I - 114/160BHP	33-2104 ♦	
TRX450S Foreman S	450	HA-3098	KN-113	Civic V	1.6L L4 F/I - 116/125BHP	33-2047 ♦	
TRX500FA Foreman Rubicon	500		KN-111	Civic V	1.8L L4 F/I	33-2234 ♦	
VF750C Magna	750	HA-7594	KN-303	Civic V	2.0L L4 DSL	33-2761	
VFR800 Interceptor	782	HA-8098	KN-303	Civic Value Package	1.6L L4 F/I	33-2104	HP-1004 ¹
VT600C Shadow VLX	600	HA-6199	KN-303	CR125R	125	HA-2591	
VT600CD Shadow VLX Deluxe	600	HA-6199	KN-303	CR250R	250	HA-2591	
VT750C Shadow	750		KN-303	CR-V	2.0L L4 F/I	33-2104	HP-1004 ¹
VT750C Shadow A.C.E.	750	HA-7500	KN-303	CR-V I	2.0L L4 F/I	33-2104	HP-1004 ¹
VT750CD Shadow Deluxe	750	HA-7500	KN-303	GL1500 Valkyrie Interstate	1520	HA-1596	KN-303
				GL1500A Gold Wing Aspencade	1520	HA-8088	KN-303
				GL1500C Valkyrie	1520	HA-1596	KN-303
				GL1500CT Valkyrie Tourer	1520	HA-1596	KN-303

* 2 filters required ♦ Intake System Available - see page 81 +Cabin Air Filter Available - see page 453 1- Pro Series Filter Available

HONDA

AIR & OIL FILTERS

Vehicle	Engine Type	Air Filter	Oil Filter	Vehicle	Engine Type	Air Filter	Oil Filter
1999 HONDA				1998 HONDA			
GL1500SE Gold Wing SE	1520	HA-8088	KN-303	CB500	502	HA-5094	
Integra Type R	1.8L L4 F/I	E-2427		CB600 Hornet	600	HA-6098	
Odyssey	3.5L V6 F/I	33-2174+	HP-1004 ¹	CB750 Nighthawk	750		KN-303
Passport	3.2L V6 F/I	33-2108	HP-1004 ¹	CBR600F3	600	HA-6095	KN-303
Prelude	2.2L L4 F/I	33-2090 ♦	HP-1004 ¹	CBR900RR	900	HA-9092-A	KN-303
Prelude V	2.0L L4 F/I	33-2090		CBR1100XX Super Blackbird	1100	HA-1197	KN-303
Prelude V	2.2L L4 F/I	33-2090	HP-1004 ¹	Civic CX	1.6L L4 F/I	33-2120	HP-1004 ¹
S2000	2.0L L4 F/I	E-2435 ♦	HP-1004 ¹	Civic del Sol	1.6L L4 F/I	33-2047	
ST1100	1100		KN-303	Civic DX	1.6L L4 F/I	33-2120	HP-1004 ¹
ST1100 ABS II	1100		KN-303	Civic EX	1.6L L4 F/I	33-2104 ♦	HP-1004 ¹
ST1100 Pan European	1100		KN-303	Civic GX	1.6L L4 F/I	33-2104	HP-1004 ¹
TRX250 Recon	250	HA-2597		Civic HX	1.6L L4 F/I	33-2104	HP-1004 ¹
TRX300 Fourtrax	280	HA-3098	KN-113	Civic LX	1.6L L4 F/I	33-2104 ♦	HP-1004 ¹
TRX300EX	300	HA-3094	KN-113	Civic Si	1.6L L4 F/I	33-2104	HP-1004 ¹
TRX300FW Fourtrax 4x4	300	HA-3098	KN-113	Civic V	1.4L L4 F/I - D14A3 Eng, D14A4 Eng.	33-2036 ♦	
TRX400EX	397	HA-4099	KN-113	Civic V	1.4L L4 F/I - D14A7 Eng., D14A8 Eng.	33-2047 ♦	
TRX400FW Foreman 4x4	395	HA-3098	KN-113	Civic V	1.5L L4 F/I - 3/4-Door	33-2104 ♦	
TRX450ES Foreman ES	433	HA-3098	KN-113	Civic V	1.5L L4 F/I - 5-door & AeroDeck	33-2047 ♦	
TRX450S Foreman S	450	HA-3098	KN-113	Civic V	1.6L L4 F/I - 105BHP	33-2036 ♦	
VF750C Magna	739	HA-7594	KN-303	Civic V	1.6L L4 F/I - 114/160BHP	33-2104 ♦	
VF750C2 Magna Deluxe	750	HA-7594		Civic V	1.6L L4 F/I - 116/125BHP	33-2047 ♦	
VFR800 Interceptor	782	HA-8098	KN-303	Civic V	1.8L L4 F/I	33-2234 ♦	
VT600C Shadow VLX	600	HA-6199	KN-303	Civic V	2.0L L4 DSL	33-2761	
VT600CD Shadow VLX Deluxe	600	HA-6199	KN-303	CR125R	125	HA-2591	
VT750C Shadow	750		KN-303	CR250R	250	HA-2591	
VT750C Shadow A.C.E.	750	HA-7500	KN-303	CR-V	2.0L L4 F/I	33-2104	HP-1004 ¹
VT750CD Shadow Deluxe	750	HA-7500	KN-303	CR-V I	2.0L L4 F/I	33-2104	HP-1004 ¹
VT1100C Shadow Spirit	1100	HA-1187	KN-303	GL1500A Gold Wing Aspencade	1520	HA-8088	KN-303
VT1100C2 Shadow A.C.E.	1100	HA-1187	KN-303	GL1500C Valkyrie	1520	HA-1596	KN-303
VT1100C3 Shadow Aero	1100	HA-1187	KN-303	GL1500CT Valkyrie Tourer	1520	HA-1596	KN-303
VT1100T Shadow A.C.E. Tourer	1100	HA-1187	KN-303	GL1500SE Gold Wing SE	1520	HA-8088	KN-303
VTR1000 Super Hawk	1000	HA-0011	KN-204	Integra Type R	1.8L L4 F/I	E-2427	
XR100R	100	HA-1088		Odyssey	2.3L L4 F/I	33-2071	HP-1004 ¹
XR200R	200	HA-2584		Passport	3.2L V6 F/I	33-2108	HP-1004 ¹
XR400R	400	HA-1314	KN-112	Prelude	2.2L L4 F/I	33-2090 ♦	HP-1004 ¹
XR650L	650	HA-6592		Prelude V	2.0L L4 F/I	33-2090	
				Prelude V	2.2L L4 F/I	33-2090	HP-1004 ¹
				ST1100	1100	HA-1191	KN-303
				ST1100 ABS II	1100	HA-1191	KN-303
				ST1100 Pan European	1100		KN-303
				TRX250 Recon	225	HA-2597	
				TRX300 Fourtrax	280	HA-3098	KN-113
				TRX300EX	300	HA-3094	KN-113
				TRX300FW Fourtrax 4x4	300	HA-3098	KN-113
				TRX400FW Foreman 4x4	395	HA-3098	KN-113
				TRX450ES Foreman ES	433	HA-3098	KN-113
				TRX450S Foreman S	450	HA-3098	KN-113
				VF750C Magna	739	HA-7594	KN-303
				VF750C2 Magna Deluxe	750	HA-7594	
				VFR800 Interceptor	782	HA-8098	KN-303
				VT600C Shadow VLX	600	HA-6088	KN-303
				VT600CD Shadow VLX Deluxe	600	HA-6088	KN-303
1998 HONDA							
Accord	2.3L L4 F/I - Non-US	33-2613					
Accord	2.3L L4 F/I - US	33-2124+	HP-1004 ¹				
Accord	3.0L V6 F/I	33-2133+	HP-1004 ¹				
Accord V	2.0L L4 F/I - F20B Eng.	33-2071 ♦					
Accord V	2.0L L4 F/I - F20Z Eng.	33-2613 ♦					
Accord V	2.2L L4 F/I	33-2071	HP-1004 ¹				
Accord VI	1.8L L4 F/I	33-2613					
Accord VI	2.0L L4 DSL	33-2761					
Accord VI	2.0L L4 F/I	33-2613 ♦					
Accord VI	2.2L L4 F/I	33-2613	HP-1004 ¹				
Accord VII	1.8L L4 F/I	33-2124					
Accord VII	2.0L L4 F/I	33-2124					
Accord VII	2.2L L4 F/I	33-2124 ♦					
Accord VII	3.0L V6 F/I	33-2133	HP-1004 ¹				
CB400 VTEC	400	HA-4098					

* 2 filters required ♦ Intake System Available - see page 81 +Cabin Air Filter Available - see page 453 1- Pro Series Filter Available

AIR & OIL FILTERS

HONDA

Vehicle	Engine Type	Air Filter	Oil Filter	Vehicle	Engine Type	Air Filter	Oil Filter
1998 HONDA				1997 HONDA			
VT750C Shadow A.C.E.	750	HA-7500	KN-303	GL1500A Gold Wing Ascencade	1520	HA-8088	KN-303
VT750CD Shadow Deluxe	750	HA-7500	KN-303	GL1500C Valkyrie	1520	HA-1596	KN-303
VT1100C Shadow	1100	HA-1187	KN-303	GL1500CT Valkyrie Tourer	1520	HA-1596	KN-303
VT1100C Shadow Spirit	1100	HA-1187	KN-303	GL1500SE Gold Wing SE	1520	HA-8088	KN-303
VT1100C2 Shadow A.C.E.	1100	HA-1187	KN-303	Odyssey	2.2L L4 F/I	33-2071	HP-1004 ¹
VT1100C3 Shadow Aero	1100	HA-1187	KN-303	Passport	3.2L V6 F/I	33-2108	HP-1004 ¹
VT1100T Shadow A.C.E. Tourer	1100	HA-1187	KN-303	PC800 Pacific Coast	800	HA-8089	KN-303
VTR1000 Firestorm	1000	HA-0011	KN-303	Prelude	2.2L L4 F/I	33-2090 ♦	HP-1004 ¹
VTR1000 Super Hawk	1000	HA-0011	KN-204	Prelude V	2.0L L4 F/I	33-2090	
XR100R	100	HA-1088		Prelude V	2.2L L4 F/I	33-2090	HP-1004 ¹
XR250R	250	HA-1312	KN-112	ST1100	1100		KN-303
XR400R	400	HA-1314	KN-112	ST1100 ABS II	1100		KN-303
XR650L	650	HA-6592	KN-112	ST1100 Pan European	1100		KN-303
1997 HONDA				1996 HONDA			
Accord	2.2L L4 F/I		HP-1004 ¹	Accord	2.2L L4 F/I		HP-1004 ¹
Accord	2.2L L4 F/I - US	33-2071 ♦	HP-1004	Accord	2.2L L4 F/I - US	33-2071 ♦	HP-1004
Accord	2.3L L4 F/I	33-2071		Accord	2.7L V6 F/I	33-2100	HP-1004 ¹
Accord	2.7L V6 F/I	33-2100	HP-1004 ¹	Accord V	2.0L L4 F/I - F20B Eng.	33-2071 ♦	
Accord V	2.0L L4 F/I - F20B Eng.	33-2071 ♦		Accord V	2.0L L4 F/I - F20Z Eng.	33-2613 ♦	
Accord V	2.0L L4 F/I - F20Z Eng.	33-2613 ♦		Accord V	2.2L L4 F/I	33-2071 ♦	HP-1004 ¹
Accord V	2.2L L4 F/I	33-2071 ♦	HP-1004 ¹	Accord V	2.3L L4 F/I	33-2613	
Accord VI	1.8L L4 F/I	33-2613		Accord VI	1.8L L4 F/I	33-2613	
Accord VI	2.0L L4 DSL	33-2761		Accord VI	2.0L L4 DSL	33-2761	
Accord VI	2.0L L4 F/I	33-2613 ♦		Accord VI	2.0L L4 F/I	33-2613 ♦	
Accord VI	2.2L L4 F/I	33-2613 ♦		Accord VI	2.2L L4 F/I	33-2613 ♦	HP-1004 ¹
CB500	502	HA-5094		CB750 Nighthawk	750	HA-7591	KN-303
CB750 Nighthawk	750	HA-7591	KN-303	CBR600F3	600	HA-6095	KN-303
CBR600F3	600	HA-6095	KN-303	CBR900RR	900	HA-9092-A	KN-303
CBR900RR	900	HA-9092-A	KN-303	CBR1100XX Super Blackbird	1100	HA-1197	KN-303
CBR1100XX Super Blackbird	1100	HA-1197	KN-303	Civic CX	1.6L L4 F/I	33-2120	HP-1004 ¹
Civic CX	1.6L L4 F/I	33-2120	HP-1004 ¹	Civic del Sol	1.6L L4 F/I	33-2047	HP-1004 ¹
Civic del Sol	1.6L L4 F/I	33-2047	HP-1004 ¹	Civic DX	1.6L L4 F/I	33-2120	HP-1004 ¹
Civic DX	1.6L L4 F/I	33-2120	HP-1004 ¹	Civic EX	1.6L L4 F/I	33-2104 ♦	HP-1004 ¹
Civic EX	1.6L L4 F/I	33-2104 ♦	HP-1004 ¹	Civic HX	1.6L L4 F/I	33-2104 ♦	HP-1004 ¹
Civic HX	1.6L L4 F/I	33-2104 ♦	HP-1004 ¹	Civic IV	1.4L L4 F/I	33-2047	
Civic IV	1.4L L4 F/I	33-2047		Civic IV	1.6L L4 F/I	33-2047 ♦	
Civic IV	1.6L L4 F/I	33-2047 ♦		Civic LX	1.6L L4 F/I	33-2120	HP-1004 ¹
Civic LX	1.6L L4 F/I	33-2120	HP-1004 ¹	Civic Si	1.6L L4 F/I	33-2104	HP-1004 ¹
Civic Si	1.6L L4 F/I	33-2104	HP-1004 ¹	Civic V	1.4L L4 F/I - D14A3 Eng., D14A4 Eng.	33-2036 ♦	
Civic V	1.4L L4 F/I - D14A3 Eng., D14A4 Eng.	33-2036 ♦		Civic V	1.4L L4 F/I - D14A7 Eng., D14A8 Eng.	33-2047 ♦	
Civic V	1.4L L4 F/I - D14A7 Eng., D14A8 Eng.	33-2047 ♦		Civic V	1.5L L4 F/I - 3/4-Door	33-2104 ♦	
Civic V	1.5L L4 F/I - 3/4-Door	33-2104 ♦		Civic V	1.5L L4 F/I - 5-door & AeroDeck	33-2047 ♦	
Civic V	1.5L L4 F/I - 5-door & AeroDeck	33-2047 ♦		Civic V	1.6L L4 F/I - 105BHP	33-2036 ♦	
Civic V	1.6L L4 F/I - 105BHP	33-2036 ♦		Civic V	1.6L L4 F/I - 114/160BHP	33-2104 ♦	
Civic V	1.6L L4 F/I - 114/160BHP	33-2104 ♦		Civic V	1.6L L4 F/I - 116/125BHP	33-2047 ♦	
Civic V	1.6L L4 F/I - 116/125BHP	33-2047 ♦		Civic V	1.8L L4 F/I	33-2234 ♦	
Civic V	1.8L L4 F/I	33-2234 ♦		Civic V	2.0L L4 DSL	33-2761	
Civic V	2.0L L4 DSL	33-2761		CR250R	250	HA-2591	
CR250R	250	HA-2591		CR500R	500	HA-2591	
CR500R	500	HA-2591		CR-V	2.0L L4 F/I	33-2104	HP-1004 ¹
CR-V	2.0L L4 F/I	33-2104	HP-1004 ¹	CR-V I	2.0L L4 F/I	33-2104	HP-1004 ¹
CR-V I	2.0L L4 F/I	33-2104	HP-1004 ¹				

* 2 filters required ♦ Intake System Available - see page 81 +Cabin Air Filter Available - see page 453 1- Pro Series Filter Available

HONDA

AIR & OIL FILTERS

Vehicle	Engine Type	Air Filter	Oil Filter	Vehicle	Engine Type	Air Filter	Oil Filter
1996 HONDA				1995 HONDA			
Civic Si	1.6L L4 F/I	33-2104	HP-1004 ¹	Civic DX	1.5L L4 F/I		HP-1004 ¹
Civic V	1.4L L4 F/I	33-2036 ♦		Civic DX	1.5L L4 F/I - US	33-2047 ♦	HP-1004
Civic V	1.5L L4 F/I	33-2104 ♦		Civic DX Hatchback	1.5L L4 F/I		HP-1004 ¹
Civic V	1.6L L4 F/I - 105BHP	33-2036 ♦		Civic DX Hatchback	1.5L L4 F/I - US	33-2047 ♦	HP-1004
Civic V	1.6L L4 F/I - 114/160BHP	33-2104 ♦		Civic EX	1.6L L4 F/I	33-2047 ♦	HP-1004 ¹
Civic V	1.6L L4 F/I - 116/125BHP	33-2047 ♦		Civic II	1.6L L4 F/I	33-2025	
CMX250C Rebel	234	HA-2596		Civic IV	1.3L L4 F/I	E-2980	
CR250R	250	HA-2591		Civic IV	1.4L L4 F/I	33-2047	
GL1500A Gold Wing	1520	HA-8088	KN-303	Civic IV	1.5L L4 F/I	33-2047 ♦	
Aspencade				Civic IV	1.6L L4 F/I	33-2047 ♦	
GL1500SE Gold	1520	HA-8088	KN-303	Civic LX	1.5L L4 F/I		HP-1004 ¹
Wing SE				Civic LX	1.5L L4 F/I - US	33-2047 ♦	HP-1004
NSX	3.0L V6 F/I	33-2713		Civic Si	1.6L L4 F/I	33-2047 ♦	HP-1004 ¹
Odyssey	2.2L L4 F/I	33-2071	HP-1004 ¹	Civic V	1.4L L4 F/I	33-2036 ♦	
Passport	3.2L V6 F/I	33-2108		Civic V	1.5L L4 F/I	33-2104 ♦	
PC800 Pacific Coast	800	HA-8089	KN-303	Civic V	1.6L L4 F/I - 105BHP	33-2036 ♦	
Prelude	2.2L L4 F/I	33-2090 ♦	HP-1004 ¹	Civic V	1.6L L4 F/I - 114/160BHP	33-2104 ♦	
Prelude	2.3L L4 F/I	33-2090	HP-1004 ¹	Civic V	1.6L L4 F/I - 116/125BHP	33-2047 ♦	
Prelude IV	2.0L L4 F/I	33-2090		Civic VX	1.5L L4 F/I		HP-1004 ¹
Prelude IV	2.2L L4 F/I	33-2090 ♦	HP-1004 ¹	Civic VX	1.5L L4 F/I - US	33-2047	HP-1004
Prelude IV	2.3L L4 F/I	33-2090 ♦	HP-1004 ¹	CR500R	500	HA-2591	
Prelude V	2.0L L4 F/I	33-2090		CRX III	1.6L L4 F/I	33-2047 ♦	
Prelude V	2.2L L4 F/I	33-2090	HP-1004 ¹	GL1500A Gold Wing	1520	HA-8088	KN-303
ST1100 ABS II	1100		KN-303	Aspencade			
ST1100 Pan	1100		KN-303	GL1500SE Gold	1520	HA-8088	KN-303
European				Wing SE			
TRX300 Fourtrax	280	HA-3093	KN-113	Odyssey	2.2L L4 F/I	33-2071	HP-1004 ¹
TRX300EX	300	HA-3094	KN-113	Passport	3.2L V6 F/I	33-2064	HP-1004 ¹
TRX300FW Fourtrax	300	HA-3093	KN-113	PC800 Pacific Coast	800	HA-8089	KN-303
4x4				Prelude	2.2L L4 F/I	33-2090 ♦	HP-1004 ¹
TRX400FW Foreman	395	HA-3093	KN-113	Prelude	2.3L L4 F/I	33-2090	HP-1004 ¹
4x4				Prelude IV	2.0L L4 F/I	33-2090	
VF750C Magna	739	HA-7594	KN-303	Prelude IV	2.2L L4 F/I	33-2090 ♦	HP-1004 ¹
VF750CD Magna	750	HA-7594	KN-303	Prelude IV	2.3L L4 F/I	33-2090 ♦	HP-1004 ¹
Deluxe				ST1100 ABS II	1100		KN-303
VFR750F Interceptor	739	HA-0003	KN-303	TRX300 Fourtrax	280	HA-3093	KN-113
VT600C Shadow VLX	600	HA-6088	KN-303	TRX300EX	300	HA-3094	KN-113
VT600CD Shadow	600	HA-6088	KN-303	TRX300FW Fourtrax	300	HA-3093	KN-113
VLX Deluxe				4x4			
VT1100C Shadow	1100	HA-1187	KN-303	TRX400FW Foreman	395		KN-113
VT1100C2 Shadow	1100	HA-1187	KN-303	4x4			
A.C.E.				VF750C Magna	739	HA-7594	KN-303
XR250R	250	HA-1312	KN-112	VF750CD Magna	750	HA-7594	KN-303
XR400R	400	HA-1314	KN-112	Deluxe			
XR600R	600	HA-1315	KN-112	VFR750F Interceptor	739	HA-0003	KN-303
1995 HONDA				VT600C Shadow VLX	600	HA-6088	KN-303
Accord	2.2L L4 F/I	33-2071 ♦	HP-1004 ¹	VT600CD Shadow	600	HA-6088	KN-303
Accord	2.7L V6 F/I	33-2100	HP-1004 ¹	VLX Deluxe			
Accord EX	2.2L L4 F/I	33-2071	HP-1004 ¹	VT1100C Shadow	1100	HA-1187	KN-303
Accord V	2.0L L4 F/I - F20B Eng.	33-2071 ♦		VT1100C2 Shadow	1100	HA-1187	KN-303
Accord V	2.0L L4 F/I - F20Z Eng.	33-2613 ♦		A.C.E.			
Accord V	2.2L L4 F/I	33-2071	HP-1004 ¹	XR250R	250	HA-1312	KN-112
Accord V	2.3L L4 F/I	33-2613		XR600R	600	HA-1315	KN-112
CB750 Nighthawk	750	HA-7591	KN-303	XR650L	650	HA-6592	
CB1000 Big One	1006	HA-1013-1	KN-303	1994 HONDA			
CBR600F3	600	HA-6095	KN-303	Accord	2.2L L4 F/I	33-2071 ♦	HP-1004 ¹
CBR900RR	900	HA-9092-A	KN-303	Accord EX	2.2L L4 F/I	33-2071	HP-1004 ¹
Civic Coupe	1.6L L4 F/I	33-2047		Accord V	2.0L L4 F/I - F20B Eng.	33-2071 ♦	
Civic Coupe	1.6L L4 F/I - 105BHP, D16Y7 Eng.	33-2036		Accord V	2.0L L4 F/I - F20Z Eng.	33-2613 ♦	
Civic CX	1.5L L4 F/I		HP-1004 ¹	Accord V	2.2L L4 F/I	33-2071	HP-1004 ¹
Civic CX	1.5L L4 F/I - US	33-2047	HP-1004	Accord V	2.3L L4 F/I	33-2613	
Civic del Sol	1.5L L4 F/I	33-2047 ♦	HP-1004 ¹	CB500	502	HA-5094	
Civic del Sol	1.6L L4 F/I	33-2047 ♦	HP-1004 ¹	CB750 Nighthawk	750		KN-303

* 2 filters required ♦ Intake System Available - see page 81 +Cabin Air Filter Available - see page 453 1- Pro Series Filter Available

AIR & OIL FILTERS

HONDA

Vehicle	Engine Type	Air Filter	Oil Filter	Vehicle	Engine Type	Air Filter	Oil Filter
1994 HONDA				1993 HONDA			
CB1000 Big One	1006	HA-1013-1	KN-303	Civic LX	1.5L L4 F/I	33-2047 ♦	HP-1004 ¹
CBR600F2	600	HA-6091	KN-303	Civic Si	1.6L L4 F/I	33-2047 ♦	HP-1004 ¹
CBR900RR	900	HA-9092-A	KN-303	Civic VX	1.5L L4 F/I	33-2047	HP-1004 ¹
CBR1000F	1006	HA-1087	KN-303	GL1500 Gold Wing	1500		KN-303
Civic CX	1.5L L4 F/I	33-2047 ♦	HP-1004 ¹	GL1500A Gold Wing	1520	HA-8088	KN-303
Civic del Sol	1.5L L4 F/I	33-2047 ♦	HP-1004 ¹	Aspencade			
Civic del Sol	1.6L L4 F/I	33-2047 ♦	HP-1004 ¹	GL1500i Gold Wing	1520	HA-8088	KN-303
Civic DX	1.5L L4 F/I	33-2047 ♦	HP-1004 ¹	Interstate			
Civic DX Hatchback	1.5L L4 F/I	33-2047 ♦	HP-1004 ¹	GL1500SE Gold	1520	HA-8088	
Civic EX	1.6L L4 F/I	33-2047 ♦	HP-1004 ¹	Wing SE			
Civic II	1.6L L4 F/I	33-2025		Prelude	2.2L L4 F/I	33-2090 ♦	HP-1004 ¹
Civic IV	1.5L L4 F/I	33-2047 ♦		Prelude	2.3L L4 F/I	33-2090	HP-1004 ¹
Civic IV	1.6L L4 F/I	33-2047 ♦		Prelude IV	2.0L L4 F/I	33-2090	
Civic LX	1.5L L4 F/I	33-2047 ♦	HP-1004 ¹	Prelude IV	2.2L L4 F/I	33-2090 ♦	HP-1004 ¹
Civic Si	1.6L L4 F/I	33-2047 ♦	HP-1004 ¹	Prelude IV	2.3L L4 F/I	33-2090 ♦	HP-1004 ¹
Civic VX	1.5L L4 F/I	33-2047	HP-1004 ¹	ST1100	1100		KN-303
GL1500A Gold Wing	1520	HA-8088	KN-303	ST1100 A	1100		KN-303
Aspencade				ST1100 ABS II	1100		KN-303
GL1500i Gold Wing	1520	HA-8088		ST1100 Pan	1100		KN-303
Interstate				European			
GL1500SE Gold	1520	HA-8088	KN-303	TRX300 Fourtrax	280	HA-3093	KN-113
Wing SE				TRX300EX	300	HA-3094	KN-113
Prelude	2.2L L4 F/I	33-2090 ♦	HP-1004 ¹	TRX300FW Fourtrax	300	HA-3093	KN-113
Prelude	2.3L L4 F/I	33-2090	HP-1004 ¹	4x4			
Prelude IV	2.0L L4 F/I	33-2090		VFR750F Interceptor	739	HA-0003	KN-303
Prelude IV	2.2L L4 F/I	33-2090 ♦	HP-1004 ¹	VT600C Shadow VLX	600	HA-6088	KN-303
Prelude IV	2.3L L4 F/I	33-2090 ♦	HP-1004 ¹	VT600CD Shadow	600	HA-6088	KN-303
ST1100 ABS II	1100		KN-303	VLX Deluxe			
TRX300 Fourtrax	280	HA-3093	KN-113	VT1100C Shadow	1100	HA-1187	KN-303
TRX300EX	300	HA-3094	KN-113	VT1100CL Shadow	1100	HA-1187	
TRX300FW Fourtrax	300	HA-3093	KN-113	XR600R	600	HA-1315	KN-112
4x4				XR650L	650	HA-6592	KN-112
VF750C Magna	739	HA-7594	KN-303	1992 HONDA			
VFR750F Interceptor	739	HA-0003	KN-303	Accord	2.2L L4 F/I	33-2613	HP-1004 ¹
VT600C Shadow VLX	600	HA-6088	KN-303	Accord IV	2.0L L4 F/I - 133BHP	33-2613	
VT600CD Shadow	600	HA-6088	KN-303	Accord IV	2.0L L4 F/I - Exc., 133BHP	E-9180	
VLX Deluxe				Accord IV	2.2L L4 F/I	33-2613	HP-1004 ¹
VT1100C Shadow	1100	HA-1187	KN-303	CB750 Nighthawk	750	HA-7591	KN-303
XR250L	250	HA-1312	KN-112	CBR600F2	600	HA-6091	KN-303
XR600R	600	HA-1315		Civic CX	1.5L L4 F/I	33-2047	HP-1004 ¹
XR650L	650	HA-6592	KN-112	Civic DX	1.5L L4 F/I	33-2047 ♦	HP-1004 ¹
1993 HONDA				Civic DX Hatchback	1.5L L4 F/I	33-2047 ♦	HP-1004 ¹
Accord	2.2L L4 F/I	33-2613	HP-1004 ¹	Civic EX	1.6L L4 F/I	33-2047 ♦	HP-1004 ¹
Accord IV	2.0L L4 F/I - 133BHP	33-2613		Civic II	1.6L L4 F/I	33-2025	
Accord IV	2.0L L4 F/I - Exc., 133BHP	E-9180		Civic IV	1.5L L4 F/I	33-2047 ♦	
Accord IV	2.2L L4 F/I	33-2613	HP-1004 ¹	Civic IV	1.6L L4 F/I	33-2047 ♦	
Accord V	2.0L L4 F/I - F20B Eng.	33-2071 ♦		Civic LX	1.5L L4 F/I	33-2047 ♦	HP-1004 ¹
Accord V	2.0L L4 F/I - F20Z Eng.	33-2613 ♦		Civic Si	1.6L L4 F/I	33-2047 ♦	HP-1004 ¹
Accord V	2.2L L4 F/I	33-2071	HP-1004 ¹	Civic VX	1.5L L4 F/I	33-2047	HP-1004 ¹
Accord V	2.3L L4 F/I	33-2613		GL1500 Gold Wing	1500		KN-303
CB750 Nighthawk	750	HA-7591	KN-303	GL1500A Gold Wing	1520	HA-8088	
CBR600F2	600	HA-6091	KN-303	Aspencade			
CBR900RR	900	HA-9092-A	KN-303	Prelude	2.2L L4 F/I	33-2090	HP-1004 ¹
CBR1000F	1006	HA-1087	KN-303	Prelude	2.3L L4 F/I	33-2090	HP-1004 ¹
Civic CX	1.5L L4 F/I	33-2047	HP-1004 ¹	Prelude III	2.0L L4 F/I - B20A1 Eng., B20A5 Eng.	33-2521	
Civic del Sol	1.5L L4 F/I	33-2047 ♦	HP-1004 ¹	Prelude III	2.0L L4 F/I - B20A9 Eng.	E-2425	
Civic del Sol	1.6L L4 F/I	33-2047 ♦	HP-1004 ¹	Prelude IV	2.0L L4 F/I	33-2090	
Civic DX	1.5L L4 F/I	33-2047 ♦	HP-1004 ¹	Prelude IV	2.2L L4 F/I	33-2090 ♦	HP-1004 ¹
Civic DX Hatchback	1.5L L4 F/I	33-2047 ♦	HP-1004 ¹	Prelude IV	2.3L L4 F/I	33-2090 ♦	HP-1004 ¹
Civic EX	1.6L L4 F/I	33-2047 ♦	HP-1004 ¹	TRX250X	250	HA-2504	KN-112
Civic II	1.6L L4 F/I	33-2025		TRX300 Fourtrax	280	HA-3093	KN-113
Civic IV	1.3L L4 F/I	E-2980		TRX300FW Fourtrax	300	HA-3093	KN-113
Civic IV	1.5L L4 F/I	33-2047 ♦		4x4			
Civic IV	1.6L L4 F/I	33-2047 ♦					

* 2 filters required ♦ Intake System Available - see page 81 +Cabin Air Filter Available - see page 453 1- Pro Series Filter Available

Partial Listing - Complete List of Vehicles and Applications at knfilters.com

HONDA

AIR & OIL FILTERS

Vehicle	Engine Type	Air Filter	Oil Filter
1992 HONDA			
VFR750F Interceptor	739	HA-0003	KN-303
VT600C Shadow VLX	600	HA-6088	KN-303
VT1100C Shadow	1100	HA-1187	KN-303
XR250L	250	HA-1312	

1991 HONDA			
Accord	2.2L L4 F/I	33-2613	HP-1004 ¹
Accord IV	2.0L L4 F/I - 133BHP	33-2613	
Accord IV	2.0L L4 F/I - Exc., 133BHP	E-9180	
Accord IV	2.2L L4 F/I	33-2613	HP-1004 ¹
CB650 F2	650		KN-303
CB750 Nighthawk	750	HA-7591	KN-303
CBR600F2	600	HA-6091	KN-303
CBR1000F	1006	HA-1087	KN-303
Civic	1.5L L4 F/I	33-2025 ♦	HP-1004 ¹
Civic	1.6L L4 F/I	33-2025 ♦	HP-1004 ¹
Civic II	1.4L L4 F/I	E-9071	
Civic II	1.5L L4 F/I	33-2025	
Civic II	1.6L L4 F/I	33-2025	
Civic III	1.3L L4 CARB	E-2980	
Civic III	1.5L L4 F/I	33-2025	
Civic III	1.6L L4 F/I - Exc., VTEC	33-2025 ♦	
Civic III	1.6L L4 F/I - VTEC	33-2061 ♦	
Civic IV	1.3L L4 F/I	E-2980	
Civic IV	1.5L L4 F/I	33-2047 ♦	
Civic IV	1.6L L4 F/I	33-2047 ♦	
CR250R	250	HA-2591	
CRX	1.5L L4 F/I	33-2025 ♦	HP-1004 ¹
CRX	1.6L L4 F/I		HP-1004 ¹
CRX	1.6L L4 F/I - US	33-2025 ♦	HP-1004
CRX HF	1.5L L4 F/I	33-2025	HP-1004 ¹
CRX II	1.6L L4 F/I		HP-1004 ¹
CRX II	1.6L L4 F/I - Exc., VTEC	33-2025 ♦	HP-1004
CRX II	1.6L L4 F/I - VTEC	33-2061 ♦	HP-1004
Prelude	2.0L L4 F/I	E-2425	HP-1004 ¹
Prelude	2.1L L4 F/I		HP-1004 ¹
Prelude III	2.0L L4 F/I - B20A1 Eng., B20A5 Eng.	33-2521	
Prelude III	2.0L L4 F/I - B20A9 Eng.	E-2425	
ST1100	1100	HA-1191	KN-303
ST1100 A	1100		KN-303
ST1100 Pan	1100		KN-303
European			
TRX250X	250	HA-2504	KN-112
TRX300 Fourtrax	280	HA-3093	KN-113
TRX300FW Fourtrax 4x4	300	HA-3093	KN-113
VFR750F Interceptor	739	HA-0003	KN-303
XL250 R Baja	250		KN-112
XR250L	250	HA-1312	KN-112

1990 HONDA			
Accord	2.2L L4 F/I	33-2613	HP-1004 ¹
Accord IV	2.0L L4 F/I - 133BHP	33-2613	
Accord IV	2.0L L4 F/I - Exc., 133BHP	E-9180	
Accord IV	2.2L L4 F/I	33-2613	HP-1004 ¹
CBR1000F	1006	HA-1087	KN-303
Civic	1.5L L4 F/I	33-2025 ♦	HP-1004 ¹
Civic	1.6L L4 F/I	33-2025 ♦	HP-1004 ¹
Civic II	1.4L L4 F/I	E-9071	
Civic II	1.5L L4 F/I	33-2025	
Civic II	1.6L L4 F/I	33-2025	
Civic III	1.3L L4 CARB	E-2980	

Vehicle	Engine Type	Air Filter	Oil Filter
1990 HONDA			
Civic III	1.4L L4 F/I	E-9071	
Civic III	1.5L L4 F/I	33-2025	
Civic III	1.6L L4 F/I - Exc., VTEC	33-2025 ♦	
Civic III	1.6L L4 F/I - VTEC	33-2061 ♦	
CRX	1.5L L4 F/I	33-2025 ♦	HP-1004 ¹
CRX	1.6L L4 F/I	33-2025 ♦	HP-1004 ¹
CRX HF	1.5L L4 F/I	33-2025	HP-1004 ¹
CRX II	1.6L L4 F/I		HP-1004 ¹
CRX II	1.6L L4 F/I - Exc., VTEC	33-2025 ♦	HP-1004
CRX II	1.6L L4 F/I - VTEC	33-2061 ♦	HP-1004
FL400R Pilot	400	HA-4400	
GL1500 Gold Wing	1520	HA-8088	KN-303
GL1500SE Gold Wing SE	1520	HA-8088	
PC800 Pacific Coast	792	HA-8089	KN-303
Prelude	2.0L L4 CARB	E-2425	HP-1004 ¹
Prelude	2.0L L4 F/I	E-2425	HP-1004 ¹
Prelude	2.1L L4 F/I		HP-1004 ¹
Prelude III	2.0L L4 CARB		HP-1004 ¹
Prelude III	2.0L L4 F/I		HP-1004 ¹
Prelude III	2.0L L4 F/I - B20A1 Eng., B20A5 Eng.	33-2521	HP-1004
Prelude III	2.0L L4 F/I - B20A9 Eng.	E-2425	HP-1004
TRX300 Fourtrax	280	HA-3093	KN-113
TRX300FW Fourtrax 4x4	300	HA-3093	KN-113
VFR750F Interceptor	739		KN-303
XL600V Transalp	583	HA-6089	KN-303

1989 HONDA			
Accord	2.0L L4 CARB	E-9030	HP-1004 ¹
Accord	2.0L L4 F/I - US	33-2521	HP-1004 ¹
Accord III	2.0L L4 CARB	E-9030	
Accord III	2.0L L4 F/I	33-2521	
CB400F CB-1	400		KN-303
CBR600F Hurricane	600	HA-6087	KN-303
Civic	1.5L L4 F/I	33-2025 ♦	HP-1004 ¹
Civic	1.6L L4 F/I	33-2025 ♦	HP-1004 ¹
Civic II	1.4L L4 F/I	E-9071	
Civic II	1.5L L4 F/I	33-2025	
Civic II	1.6L L4 F/I	33-2025	
Civic III	1.4L L4 F/I	E-9071	
Civic III	1.5L L4 F/I	33-2025	
Civic III	1.6L L4 F/I - Exc., VTEC	33-2025 ♦	
Civic III	1.6L L4 F/I - VTEC	33-2061 ♦	
CRX	1.5L L4 F/I	33-2025 ♦	HP-1004 ¹
CRX	1.6L L4 F/I	33-2025 ♦	HP-1004 ¹
CRX HF	1.5L L4 F/I	33-2025	HP-1004 ¹
CRX II	1.6L L4 F/I		HP-1004 ¹
CRX II	1.6L L4 F/I - Exc., VTEC	33-2025 ♦	HP-1004
CRX II	1.6L L4 F/I - VTEC	33-2061 ♦	HP-1004
FL400R Pilot	400	HA-4400	
GB500	500		KN-112
GL1500 Gold Wing	1520	HA-8088	KN-303
NT650 Hawk GT	650		KN-303
PC800 Pacific Coast	800	HA-8089	KN-303
Prelude	2.0L L4 CARB	E-2425	HP-1004 ¹
Prelude	2.0L L4 F/I	E-2425	HP-1004 ¹
Prelude III	2.0L L4 CARB		HP-1004 ¹
Prelude III	2.0L L4 F/I		HP-1004 ¹
Prelude III	2.0L L4 F/I - B20A1 Eng., B20A5 Eng.	33-2521	HP-1004

* 2 filters required ♦ Intake System Available - see page 81 +Cabin Air Filter Available - see page 453 1- Pro Series Filter Available

AIR & OIL FILTERS

HONDA

Vehicle	Engine Type	Air Filter	Oil Filter	Vehicle	Engine Type	Air Filter	Oil Filter
1989 HONDA				1987 HONDA			
Prelude III	2.0L L4 F/I - B20A9 Eng.	E-2425	HP-1004	Civic	1.5L L4 CARB	E-2730	
TRX250R Fourtrax	250	HA-4250		Civic	1.5L L4 F/I	33-2021	
TRX300 Fourtrax	300	HA-3093	KN-113	Civic I	1.5L L4 CARB	E-2730	
TRX300FW Fourtrax 4x4	300		KN-113	Civic I	1.5L L4 F/I	33-2021 ♦	
TRX350D Foreman 4x4	350	HA-4435	KN-113	Civic II	1.5L L4 CARB	E-2730	
VT600C Shadow VLX	600	HA-6088	KN-303	Civic II	1.5L L4 F/I	33-2021 ♦	
VT1100C Shadow	1100	HA-1187	KN-303	Civic III	1.5L L4 F/I	33-2025	
VTR250 Interceptor	250		KN-111	CMX450C Rebel	450		KN-111
XL600V Transalp	600	HA-6089	KN-303	CRX	1.5L L4 3 BBL.	E-2730	
XR250R	250	HA-1312	KN-112	CRX	1.5L L4 3 BBL. - EW3 Eng.	E-2734	
1988 HONDA				CRX I	1.6L L4 F/I - Exc., VTEC, from 10/87	33-2025 ♦	
Accord	2.0L L4 CARB	E-9030	HP-1004 ¹	CRX I	1.6L L4 F/I - to 9/87	33-2021 ♦	
Accord	2.0L L4 F/I	33-2521	HP-1004 ¹	GL1200 Gold Wing	1200		KN-401
Accord III	2.0L L4 CARB	E-9030		GL1200A Gold Wing	1200	HA-8084	KN-401
Accord III	2.0L L4 F/I	33-2521		Aspencade			
CBR600F Hurricane	600	HA-6087	KN-303	GL1200i Gold Wing	1200	HA-8084	
Civic	1.5L L4 F/I	33-2025 ♦	HP-1004 ¹	Interstate			
Civic	1.6L L4 F/I	33-2025 ♦	HP-1004 ¹	Prelude	1.8L L4 CARB	E-2925	
Civic II	1.4L L4 F/I	E-9071		Prelude II	1.8L L4 CARB	E-2925	
Civic II	1.5L L4 F/I	33-2025		TRX125	125	HA-0510	
Civic II	1.6L L4 F/I	33-2025		TRX250	250		KN-113
Civic III	1.4L L4 F/I	E-9071		TRX250 Fourtrax	250	HA-2410	KN-112
Civic III	1.5L L4 F/I	33-2025		TRX250R Fourtrax	250	HA-4250	
Civic III	1.6L L4 F/I - Exc., VTEC	33-2025 ♦		TRX250X	250	HA-2504	KN-112
Civic III	1.6L L4 F/I - VTEC	33-2061 ♦		TRX350 Fourtrax 4x4	350	HA-4435	KN-113
CRX	1.5L L4 F/I	33-2025 ♦	HP-1004 ¹	TRX350D Foreman 4x4	350	HA-4435	KN-113
CRX	1.6L L4 F/I	33-2025 ♦	HP-1004 ¹	VF700C Magna	747	HA-7598	KN-202
CRX HF	1.5L L4 F/I	33-2025	HP-1004 ¹	VF750C Magna	750	HA-7598	
CRX II	1.6L L4 F/I		HP-1004 ¹	VFR700F2 Interceptor	700	HA-7587	KN-202
CRX II	1.6L L4 F/I - Exc., VTEC	33-2025 ♦	HP-1004	VT700C Shadow	700		KN-202
GL1500 Gold Wing	1520	HA-8088	KN-303	VT1100C Shadow	1100	HA-1187	KN-202
NT650 Hawk GT	650		KN-303	XL250R	250		KN-112
NX250	250		KN-112	XL600R	600		KN-112
NX650 Dominator	650	HA-0001	KN-112	XR200R	200	HA-2584	
Prelude	2.0L L4 CARB		HP-1004 ¹	XR250R	250	HA-1312	KN-112
Prelude	2.0L L4 F/I	33-2521	HP-1004 ¹	1986 HONDA			
Prelude III	2.0L L4 CARB		HP-1004 ¹	Accord	2.0L L4 CARB	E-9030	HP-1004 ¹
Prelude III	2.0L L4 F/I		HP-1004 ¹	Accord	2.0L L4 F/I	33-2521	HP-1004 ¹
Prelude III	2.0L L4 F/I - B20A1 Eng., B20A5 Eng.	33-2521	HP-1004	Accord III	2.0L L4 CARB	E-9030	
Prelude III	2.0L L4 F/I - B20A9 Eng.	E-2425	HP-1004	Accord III	2.0L L4 F/I	33-2521	
TRX125	125	HA-0510		ATC250ES Big Red	250		KN-112
TRX250R Fourtrax	250	HA-4250		ATC250R	250	HA-2440	
TRX250X	250		KN-112	ATC250SX	250	HA-2410	KN-113
TRX300 Fourtrax	300	HA-3093	KN-113	ATC350X	350	HA-3350	KN-113
TRX300FW Fourtrax 4x4	300	HA-3093	KN-113	CB450SC	450		KN-111
TRX350D Foreman 4x4	350	HA-4435	KN-113	CB700SC Nighthawk S	700	HA-7084	KN-202
VF750C Magna	747	HA-7598	KN-202	Civic	1.5L L4 CARB	E-2730	
VT600C Shadow VLX	600	HA-6088	KN-303	Civic	1.5L L4 F/I	33-2021	
VT800C Shadow	800		KN-202	Civic I	1.5L L4 CARB	E-2730	
VT1100C Shadow	1100	HA-1187	KN-202	Civic II	1.5L L4 CARB	E-2730	
1987 HONDA				Civic II	1.5L L4 F/I	33-2021 ♦	
Accord	2.0L L4 CARB	E-9030	HP-1004 ¹	CMX450C Rebel	450		KN-111
Accord	2.0L L4 F/I	33-2521	HP-1004 ¹	CRX I	1.5L L4 F/I	33-2021	
Accord III	2.0L L4 CARB	E-9030		GL1200 Gold Wing	1200		KN-401
Accord III	2.0L L4 F/I	33-2521		GL1200 Gold Wing	1200	HA-8085	KN-401
CBR600F Hurricane	600	HA-6087	KN-303	SE-i			
CBR1000F	1062	HA-1087	KN-303	GL1200A Gold Wing	1200	HA-8084	KN-401
				Aspencade			
				GL1200i Gold Wing	1200	HA-8084	KN-401
				Interstate			
				Prelude	2.0L L4 F/I	33-2521	HP-1004 ¹

* 2 filters required ♦ Intake System Available - see page 81 +Cabin Air Filter Available - see page 453 1- Pro Series Filter Available

HONDA

AIR & OIL FILTERS

Vehicle	Engine Type	Air Filter	Oil Filter	Vehicle	Engine Type	Air Filter	Oil Filter
1986 HONDA				1984 HONDA			
Prelude III	2.0L L4 F/I		HP-1004 ¹	ATC200S	200	HA-0510	
Prelude III	2.0L L4 F/I - B20A1 Eng., B20A5 Eng.	33-2521	HP-1004	ATC200X	200	HA-2420	
TRX125	125	HA-0510		ATC250R	250	HA-2410	
TRX200SX Fourtrax	200	HA-0510		CB650 SC	650		KN-401
TRX250	250	HA-2410	KN-112	CB650 SCC	650		KN-401
TRX250R	250	HA-4250		CB650SC Nighthawk	650	HA-5583	KN-401
TRX350 Fourtrax 4x4	350	HA-4435	KN-113	CB700SC Nighthawk S	700	HA-7084	KN-202
VF500F Interceptor	500	HA-3084	KN-202	FL250 Odyssey	250	HA-1294	
VF700C Magna	700	HA-1210	KN-202	GL1200 Gold Wing	1200	HA-8084	KN-401
VF1100C V65 Magna	1100	HA-6583	KN-202	GL1200A Gold Wing	1200	HA-8084	KN-401
VFR750F Interceptor	750	HA-7587	KN-202	Aspencade			
VT500C Shadow	500	HA-5083	KN-202	GL1200i Gold Wing	1200	HA-8084	KN-401
VT700C Shadow	700		KN-202	Interstate			
VT1100C Shadow	1100		KN-202	VF500C V30 Magna	500	HA-3010	KN-202
XL250R	250		KN-112	VF700C Magna	700	HA-1210	KN-202
XL600R	600		KN-112	VF700S Sabre	700		KN-202
XR250R	250	HA-1312	KN-112	VF750	750		KN-202
1985 HONDA				VF750F V45	750	HA-1245	KN-202
Accord	1.8L L4 CARB	E-2764		Interceptor			
Accord II	1.8L L4 CARB	E-2764		VF1000F Interceptor	1000	HA-1250	
ATC125M	125	HA-0510		VF1100C V65 Magna	1062	HA-6583	KN-202
ATC200S	200	HA-0510		VF1100S Sabre	1062		KN-202
ATC200X	200	HA-2420		VT500C Shadow	500	HA-5083	KN-202
ATC250ES Big Red	250		KN-112	VT500FT Ascot	500	HA-5083	KN-202
ATC250R	250	HA-2440		VT700C Shadow	700	HA-1326	KN-202
ATC250SX	250	HA-2410	KN-113	XL350R	350		KN-112
ATC350X	350	HA-3350	KN-113	XL600R	600		KN-112
CB450SC	450	HA-0850	KN-111	XR200R	200	HA-2584	
CB650SC Nighthawk	650	HA-5583	KN-401	XR250R	250	HA-2584	KN-112
CB700SC Nighthawk S	700	HA-7084	KN-202	XR350R	350	HA-1312	KN-112
CR250R	250	HA-1185		XR500R	500	HA-1303	KN-112
FL350R Odyssey	350	HA-4350		1983 HONDA			
GL1200 Gold Wing	1200		KN-401	ATC185S	185	HA-0510	
GL1200A Gold Wing	1200	HA-8084	KN-401	ATC200E Big Red	200	HA-0510	
Aspencade				ATC200X	200	HA-2420	
GL1200i Gold Wing	1200	HA-8084	KN-401	ATC250R	250	HA-2410	
Interstate				CB450SC	450	HA-0850	KN-111
GL1200L Gold Wing Limited Edition	1200	HA-8085	KN-401	CB550SC Nighthawk	550	HA-5583	KN-401
Prelude	1.8L L4 CARB	E-2925		CB650 SC	650		KN-401
Prelude II	1.8L L4 CARB	E-2925		CB650 SCC	650		KN-401
TRX125	125	HA-0510		CB650SC Nighthawk	650	HA-5583	KN-401
TRX250	250	HA-2410	KN-112	CB750SC Nighthawk	750	HA-1079	KN-401
VF500C V30 Magna	500	HA-3010	KN-202	CB1000C	1000	HA-1079	KN-401
VF700C Magna	700	HA-1210	KN-202	CB1100F	1100	HA-1079	KN-401
VF700S Sabre	700		KN-202	Civic	1.5L L4 CARB	E-2740	
VF1000R	1000	HA-1250		CM450A Hondamatic	450		KN-111
VF1100C V65 Magna	1062	HA-6583	KN-202	CM450E	450		KN-111
VF1100S Sabre	1062		KN-202	CR125R	125	HA-1100	
VT500C Shadow	500	HA-5083	KN-202	CR480R	480	HA-1100	
VT700C Shadow	700	HA-1326	KN-202	CX650C Custom	650		KN-111
VT1100C Shadow	1100		KN-202	CX650T Turbo	650		KN-111
XL350R	350		KN-112	GL650 Silver Wing	650		KN-111
XL600R	600		KN-112	GL650i Silver Wing	650	HA-0783	KN-111
XR200R	200	HA-2584		Interstate			
XR250R	250	HA-2584		GL1100 A Aspencade	1100		KN-401
XR350R	350	HA-1312	KN-112	GL1100 Gold Wing	1100	HA-8080	KN-401
XR600R	600	HA-1315	KN-112	VF750C Magna	750	HA-1210	KN-202
1984 HONDA				VF750F V45	750	HA-1245	KN-202
ATC125M	125	HA-0510		Interceptor			
ATC200ES Big Red	200	HA-0510		VF750S Sabre	750		KN-202
ATC200M	200	HA-0510		VF1100C V65 Magna	1100	HA-6583	KN-202
				VT500C Shadow	500	HA-5083	KN-202
				VT500FT Ascot	500	HA-5083	KN-202
				VT750C Shadow	750	HA-1326	KN-202

* 2 filters required ♦ Intake System Available - see page 81 +Cabin Air Filter Available - see page 453 1- Pro Series Filter Available

AIR & OIL FILTERS

HONDA

Vehicle	Engine Type	Air Filter	Oil Filter
1983 HONDA			
XL600R	600		KN-112
XR500R	500	HA-1303	KN-112
1982 HONDA			
ATC200E Big Red	200	HA-0510	
CB250	250		KN-111
CB250 RSA	250		KN-111
CB250 RSD	250		KN-111
CB250 Superdream	250		KN-111
CB450SC	450	HA-0850	KN-111
CB650	650	HA-7580	KN-401
CB650 SCC	650		KN-401
CB650C	650		KN-401
CB650SC Nighthawk	650	HA-7580	KN-401
CB750 F	750		KN-401
CB750C Custom	750	HA-1079	KN-401
CB750F Super Sport	750	HA-1079	KN-401
CB750K Four	750	HA-1079	KN-401
CB750SC Nighthawk	750	HA-1079	KN-401
CB900C	900	HA-1079	KN-401
CB900F	900	HA-1079	KN-401
CBX1000	1047	HA-0900	
CBX1000 ProLink	1000		KN-401
CM450C Custom	450	HA-0850	KN-111
CM450E	450	HA-0850	KN-111
CR250R	250	HA-1100	
CX500	500		KN-111
CX500 EC Eurosport	500		KN-111
CX500C Custom	500	HA-0700	KN-111
CX500TC Turbo	500		KN-111
FL250 Odyssey	250	HA-1294	
GL500 Silver Wing	500		KN-111
GL500i Silver Wing Interstate	500	HA-0700	KN-111
GL1100 A Aspencade	1100		KN-401
GL1100 Gold Wing	1100	HA-8080	KN-401
VF750C Magna	750	HA-1210	KN-202
VF750S Sabre	750		KN-202
XR500R	500	HA-1000	KN-112
1981 HONDA			
CB400 Hawk	400		KN-111
CB650	650	HA-7580	KN-401
CB650C	650	HA-7580	KN-401
CB650SC Nighthawk	650		KN-401
CB750 F	750		KN-401
CB750C Custom	750	HA-1079	KN-401
CB750F Super Sport	750	HA-1079	KN-401
CB750K Four	750	HA-1079	KN-401
CB900C	900	HA-1079	KN-401
CB900F	900	HA-1079	KN-401
CBX1000 ProLink	1000		KN-401
Civic	1.5L L4 CARB	E-2740	
CM400C	400	HA-0850	KN-111
CM400E	400	HA-0850	KN-111
CM400T	400	HA-0850	KN-111
CX500	500		KN-111
CX500C Custom	500	HA-0700	KN-111
CX500D Deluxe	500	HA-0700	KN-111
FL250 Odyssey	250	HA-1294	
GL500 Silver Wing	500		KN-111
GL1100 Gold Wing	1100	HA-8080	KN-401
XR500R	500	HA-1000	KN-112
1980 HONDA			
CB400 Hawk	400		KN-111

Vehicle	Engine Type	Air Filter	Oil Filter
1980 HONDA			
CB650	650	HA-0750	KN-401
CB650C	650	HA-7580	KN-401
CB650SC Nighthawk	650		KN-401
CB750 F	750		KN-401
CB750C Custom	750	HA-1079	KN-401
CB750F Super Sport	750	HA-1079	KN-401
CB750K Four	750	HA-1079	KN-401
CB900C	900	HA-1079	KN-401
CBX1000	1047	HA-0900	
CM400T	400	HA-0850	KN-111
CX500	500		KN-111
CX500C Custom	500	HA-0700	KN-111
CX500D Deluxe	500	HA-0700	KN-111
GL1100 Gold Wing	1100	HA-8080	KN-401
1979 HONDA			
CB400 Hawk	400		KN-111
CB650	650	HA-0750	KN-401
CB750 Limited Edition	750	HA-1079	KN-401
CB750F Super Sport	750	HA-1079	KN-401
CB750K Four	750	HA-1079	KN-401
CBX1000	1047	HA-0900	KN-401
CM400T	400	HA-0850	KN-111
CX500	500	HA-0700	KN-111
CX500C Custom	500	HA-0700	KN-111
CX500D Deluxe	500	HA-0700	KN-111
FL250 Odyssey	250	HA-1294	
GL1000 Gold Wing	1000	HA-0800	KN-401
1978 HONDA			
CB400 Hawk	400		KN-111
CB400A Hondamatic	400		KN-111
CB550K	550		KN-401
CB750	750		KN-401
CB750A Hondamatic	750	HA-0100	KN-401
CB750F Super Sport	750	HA-0100	KN-401
CB750K Four	750	HA-0100	KN-401
CX500	500	HA-0700	KN-111
GL1000 Gold Wing	1000	HA-0800	KN-401
XL100	100	HA-0300	
1977 HONDA			
Accord	1.6L L4 CARB	E-2740	
CB550F Super Sport	550		KN-401
CB550K	550		KN-401
CB750	750		KN-401
CB750A Hondamatic	750	HA-0100	KN-401
CB750F Super Sport	750	HA-0100	KN-401
CB750K Four	750	HA-0100	KN-401
GL1000 Gold Wing	1000	HA-0800	
XL100	100	HA-0300	
1976 HONDA			
CB400F	400		KN-401
CB500T	500		KN-111
CB550	550		KN-401
CB550F Super Sport	550		KN-401
CB550K	550		KN-401
CB750	750		KN-401
CB750A Hondamatic	750	HA-0100	KN-401
CB750F Super Sport	750	HA-0100	KN-401
CB750K Four	750	HA-0100	KN-401
Civic I	1.2L L4 CARB	E-2660	
GL1000 Gold Wing	1000	HA-0800	KN-401

* 2 filters required ♦ Intake System Available - see page 81 +Cabin Air Filter Available - see page 453 1- Pro Series Filter Available

Partial Listing - Complete List of Vehicles and Applications at knfilters.com

HONDA

AIR & OIL FILTERS

Vehicle	Engine Type	Air Filter	Oil Filter
1975 HONDA			
CB125	125	HA-0300	
CB400F	400		KN-401
CB500T	500		KN-111
CB550	550		KN-401
CB550F Super Sport	550		KN-401
CB550K	550		KN-401
CB750	750		KN-401
CB750F Super Sport	750	HA-0100	KN-401
CB750K Four	750	HA-0100	KN-401
GL1000 Gold Wing	1000	HA-0800	KN-401
XL100	100	HA-0300	
XR75 Mini	75	HA-0300	

1974 HONDA			
CB125	125	HA-0300	
CB350F	350		KN-401
CB550K	550		KN-401
CB750	750	HA-0100	KN-401
XL100	100	HA-0300	

1973 HONDA			
CB350F	350		KN-401
CB350G Super Sport	350		KN-401
CB350K Super Sport	350		KN-401
CB500 F Four	500		KN-401
CB500K	500		KN-401
CB750	750	HA-0100	KN-401
SL125	125	HA-0300	

1972 HONDA			
CB350F	350		KN-401
CB500 F Four	500		KN-401
CB500K	500		KN-401
CB750	750	HA-0100	KN-401
SL125	125	HA-0300	

1971 HONDA			
CB100 Super Sport	100	HA-0300	
CB500K	500		KN-401
CB750	750	HA-0100	KN-401
CL100 Scrambler	100	HA-0300	
SL100	100	HA-0300	
SL125	125	HA-0300	

1970 HONDA			
CB100 Super Sport	100	HA-0300	
CB750	750	HA-0100	KN-401
CL100 Scrambler	100	HA-0300	

2010 HUMMER			
H3	3.7L L5 F/I	33-2408	HP-2006 ¹
H3	5.3L V8 F/I	33-2408	HP-1017 ¹
H3T	3.7L L5 F/I	33-2408	HP-2006 ¹
H3T	5.3L V8 F/I	33-2408	HP-1017 ¹

2009 HUMMER			
H2	6.2L V8 F/I		HP-1017 ¹
H3	3.7L L5 F/I	33-2408 ♦	HP-2006 ¹
H3	5.3L V8 F/I	33-2408	HP-1017 ¹
H3T	3.7L L5 F/I	33-2408 ♦	HP-2006 ¹
H3T	5.3L V8 F/I	33-2408	HP-1017 ¹

2008 HUMMER			
H2	6.2L V8 F/I		HP-1017 ¹
H3	3.5L L5 F/I	33-2408	
H3	3.7L L5 F/I	33-2408 ♦	HP-2006 ¹
H3	5.3L V8 F/I	33-2408	HP-1017 ¹

Vehicle	Engine Type	Air Filter	Oil Filter
2007 HUMMER			
H2	6.0L V8 F/I	E-1985 ♦	HP-1017 ¹
H3	3.5L L5 F/I	E-0773	
H3	3.7L L5 F/I	E-0773 ♦	HP-2006 ¹

2006 HUMMER			
H1	6.6L V8 DSL		HP-3003 ¹
H2	6.0L V8 F/I		HP-1007 ¹
H3	3.5L L5 F/I	E-0773 ♦	HP-2006 ¹

2005 HUMMER			
H1	6.5L V8 DSL	E-1700	
H2	6.0L V8 F/I		HP-1007 ¹
H3	3.5L L5 F/I	E-0773	

2004 HUMMER			
H1	6.5L V8 DSL	E-1700	
H2	6.0L V8 F/I		HP-1007 ¹

2003 HUMMER			
H1	6.5L V8 DSL	E-1700	
H2	6.0L V8 F/I	E-1985 ♦	HP-1007 ¹

2002 HUMMER			
H1	6.5L V8 DSL	E-1700	
H2	6.0L V8 F/I		HP-1007 ¹

2001 HUMMER			
H1	6.5L V8 DSL	E-1700	

2000 HUMMER			
H1	6.5L V8 DSL	E-1700	

1999 HUMMER			
H1	6.5L V8 DSL	E-1700	

1998 HUMMER			
H1	6.5L V8 DSL	E-1700	

1997 HUMMER			
H1	6.5L V8 DSL	E-1700	

1996 HUMMER			
H1	6.5L V8 DSL	E-1700	

1995 HUMMER			
H1	6.5L V8 DSL	E-1700	

1993 HUMMER			
H1	6.5L V8 DSL	E-1700	

1992 HUMMER			
H1	6.5L V8 DSL	E-1700	

2014 HUSABERG			
FE250	250		KN-652
FE350	350		KN-652
FE501	501		KN-655

2013 HUSABERG			
FE501	501		KN-655

2011 HUSABERG			
FE390	390		KN-655
FE450	450		KN-655
FE570	570		KN-655

2010 HUSABERG			
FE450	450		KN-655
FE570	570		KN-655
FX450	450		KN-655

2009 HUSABERG			
FE570	570		KN-655

* 2 filters required ♦ Intake System Available - see page 81 +Cabin Air Filter Available - see page 453 1- Pro Series Filter Available

AIR & OIL FILTERS

HUSQVARNA

Vehicle	Engine Type	Air Filter	Oil Filter
2015 HUSQVARNA			
FC250	250		KN-652
FC350	350		KN-652
FC450	450		KN-655
FE250	250		KN-652
FE350	350		KN-652
FE501	510	KT-4511XD	KN-655
TE300	293	KT-4511XD	
2014 HUSQVARNA			
FC250	250		KN-652
FC450	450		KN-655
FE250	250		KN-652
FE350	350		KN-652
FE501	510	KT-4511XD	KN-655
TE250	249	KT-4511XD	
TE300	293	KT-4511XD	
2013 HUSQVARNA			
TC250R	250		KN-116
TE250	250		KN-116
TE310R	310	HU-1200	KN-116
TXC250R	250		KN-116
TXC310R	310	HU-1200	KN-116
2012 HUSQVARNA			
Nuda 900R	898	BM-8006	KN-160
TC449	449		KN-611
TE250	250		KN-116
TE310	310	HU-1200	KN-116
TE449	449		KN-611
TE511	511		KN-611
TXC310	310	HU-1200	
2011 HUSQVARNA			
SMR630	630		KN-563
SMS630	630		KN-563
TC449	449		KN-611
TE250	250		KN-116
TE310	310	HU-1200	KN-116
TE449	449		KN-611
TE511	511		KN-611
TE630	630		KN-563
TXC250	250		KN-116
2010 HUSQVARNA			
SM510R	510		KN-563
SMR510	510		KN-611
TE310	310		KN-563
TE510	510		KN-563
2009 HUSQVARNA			
SM510R	510	HU-1200	KN-563
SM450RR	450		KN-563
TC450	450		KN-563
TE250	250		KN-563
TE310	310		KN-563
TE450	450		KN-563
2008 HUSQVARNA			
SM510R	510		KN-563
SM610	610		KN-154
SM610S IE	610		KN-154
TC450	450	HU-1200	KN-563
TE250	250	HU-1200	KN-563
TE450	450	HU-1200	KN-563
TE510	510		KN-563
TE610	610		KN-154

Vehicle	Engine Type	Air Filter	Oil Filter
2008 HUSQVARNA			
TE610 IE	610		KN-154
2007 HUSQVARNA			
SM450R	450		KN-154
SM610	610		KN-154
SM610S IE	610		KN-154
TC450	450		KN-154
TE450	450		KN-154
TE510	510		KN-154
TE610	610		KN-154
TE610 IE	610		KN-154
2006 HUSQVARNA			
SM610	610		KN-154
SM610S IE	610		KN-154
TC450	450		KN-154
TE510	510		KN-154
TE610	610		KN-154
TE610 IE	610		KN-154
2000 HUSQVARNA			
TE410E	410		KN-154
TE610E	610		KN-154
TE610E LT	610		KN-154
2016 HYUNDAI			
Accent	1.6L L4 F/I	33-2472+	HP-1004 ¹
Azera	3.3L V6 F/I	33-2448+	
Elantra	1.8L L4 F/I	33-2451 ♦+	HP-1004 ¹
Elantra	2.0L L4 F/I	33-2451 ♦+	HP-1004 ¹
Elantra GT	2.0L L4 F/I	33-2451+	HP-1004 ¹
Equus	5.0L V8 F/I	33-2426	
Genesis	5.0L V8 F/I - Left Side Airbox	33-5021	
Genesis	5.0L V8 F/I - Right Side Airbox	33-5020	
Genesis Coupe	3.8L V6 F/I	33-2481 ♦+	
Genesis Sedan	3.8L V6 F/I	33-5019	
Santa Fe	2.0L L4 F/I		HP-1004 ¹
Santa Fe	2.4L L4 F/I		HP-1004 ¹
Sonata	1.6L L4 F/I		HP-1004 ¹
Sonata	2.0L L4 F/I		HP-1004 ¹
Sonata	2.4L L4 F/I		HP-1004 ¹
Tucson	1.6L L4 F/I		HP-1004 ¹
Tucson	2.0L L4 F/I		HP-1004 ¹
Veloster	1.6L L4 F/I	33-2472 ♦+	HP-1004 ¹
Veloster Turbo	1.6L L4 F/I	33-2472 ♦+	HP-1004 ¹
2015 HYUNDAI			
Accent	1.6L L4 F/I	33-2472+	HP-1004 ¹
Accent IV	1.4L L4 F/I	33-2472+	
Azera	3.3L V6 F/I	33-2448+	PS-7030
Elantra	1.8L L4 F/I	33-2451 ♦+	HP-1004 ¹
Elantra	2.0L L4 F/I	33-2451 ♦+	HP-1004 ¹
Elantra GT	2.0L L4 F/I	33-2451+	HP-1004 ¹
Equus	5.0L V8 F/I	33-2426	PS-7029
Genesis	5.0L V8 F/I		PS-7029
Genesis	5.0L V8 F/I - Left Side Airbox	33-5021	PS-7029
Genesis	5.0L V8 F/I - Right Side Airbox	33-5020	PS-7029
Genesis Coupe	2.0L L4 F/I		HP-1004 ¹
Genesis Coupe	3.8L V6 F/I	33-2481 ♦+	PS-7035
Genesis Sedan	3.8L V6 F/I	33-5019	PS-7035
Santa Fe	2.0L L4 F/I	33-2493+	HP-1004 ¹
Santa Fe	2.4L L4 F/I	33-2493 ♦+	HP-1004 ¹
Santa Fe	3.3L V6 F/I	33-2493+	PS-7030
Santa Fe XL	3.3L V6 F/I		PS-7030

* 2 filters required ♦ Intake System Available - see page 81 +Cabin Air Filter Available - see page 453 1- Pro Series Filter Available

HYUNDAI

AIR & OIL FILTERS

Vehicle	Engine Type	Air Filter	Oil Filter
2015 HYUNDAI			
Sonata	1.6L L4 F/I		HP-1004 ¹
Sonata	2.0L L4 F/I		HP-1004 ¹
Sonata	2.4L L4 F/I		HP-1004 ¹
Sonata Hybrid	2.4L L4 F/I	33-2448	HP-1004 ¹
Tucson	2.0L L4 F/I		HP-1004 ¹
Tucson	2.4L L4 F/I	33-2451+	HP-1004 ¹
Veloster	1.6L L4 F/I	33-2472 ♦♦	HP-1004 ¹
Veloster Turbo	1.6L L4 F/I	33-2472 ♦♦	HP-1004 ¹

Vehicle	Engine Type	Air Filter	Oil Filter
2014 HYUNDAI			
Accent	1.6L L4 F/I	33-2472+	HP-1004 ¹
Accent IV	1.4L L4 F/I	33-2472+	
Azera	3.3L V6 F/I	33-2448+	PS-7030
Elantra	1.8L L4 F/I	33-2451 ♦♦	HP-1004 ¹
Elantra	2.0L L4 F/I	33-2451+	HP-1004 ¹
Elantra Coupe	1.8L L4 F/I	33-2451+	HP-1004 ¹
Elantra Coupe	2.0L L4 F/I	33-2451 ♦♦	HP-1004 ¹
Elantra GT	2.0L L4 F/I	33-2451 ♦♦	HP-1004 ¹
Equus	5.0L V8 F/I	33-2426	PS-7029
Genesis	5.0L V8 F/I	33-2426	PS-7029
Genesis Coupe	2.0L L4 F/I	33-2482 ♦♦	HP-1004 ¹
Genesis Coupe	3.8L V6 F/I	33-2481 ♦♦	PS-7035
Genesis Sedan	3.8L V6 F/I	33-2426	PS-7035
Grand Santa Fe	3.0L V6 DSL	33-2947	
H1	2.5L L4 DSL	33-2980	
i10	1.0L L3 F/I - OEM 2811304000	33-3000	
i20	1.2L L4 F/I	33-2960	
i20	1.4L L4 F/I	33-2960	
I30	1.6L L4 F/I	33-2451	
i40	2.0L L4 F/I	33-2451+	
ix35	2.0L L4 DSL	33-2451	
ix35	2.0L L4 F/I	33-2451	
Santa Fe	2.0L L4 F/I	33-2493+	HP-1004 ¹
Santa Fe	2.4L L4 F/I	33-2493 ♦♦	HP-1004 ¹
Santa Fe	3.3L V6 F/I	33-2493+	PS-7030
Santa Fe XL	3.3L V6 F/I	33-2493+	PS-7030
Sonata	2.0L L4 F/I	33-2448 ♦♦	HP-1004 ¹
Sonata	2.4L L4 F/I	33-2448 ♦♦	HP-1004 ¹
Sonata Hybrid	2.4L L4 F/I	33-2448+	HP-1004 ¹
Tucson	2.0L L4 F/I	33-2451+	HP-1004 ¹
Tucson	2.4L L4 F/I	33-2451+	HP-1004 ¹
Veloster	1.6L L4 F/I	33-2472 ♦♦	HP-1004 ¹
Veloster Turbo	1.6L L4 F/I	33-2472 ♦♦	HP-1004 ¹

Vehicle	Engine Type	Air Filter	Oil Filter
2013 HYUNDAI			
Accent	1.6L L4 F/I	33-2472+	HP-1004 ¹
Accent IV	1.4L L4 F/I	33-2472+	
Azera	3.3L V6 F/I	33-2448+	PS-7030
Elantra	1.8L L4 F/I	33-2451 ♦♦	HP-1004 ¹
Elantra Coupe	1.8L L4 F/I	33-2451 ♦♦	HP-1004 ¹
Elantra GT	1.8L L4 F/I	33-2451 ♦♦	HP-1004 ¹
Equus	5.0L V8 F/I	33-2426	PS-7029
Genesis	5.0L V8 F/I	33-2426	PS-7029
Genesis Coupe	2.0L L4 F/I	33-2482 ♦♦	HP-1004 ¹
Genesis Coupe	3.8L V6 F/I	33-2481 ♦♦	PS-7029
Genesis Sedan	3.8L V6 F/I	33-2426	PS-7029
H1	2.5L L4 DSL	33-2980	
i10	1.0L L3 F/I - OEM 2811304000	33-3000	
i10	1.2L L4 F/I	33-2977	
I30	1.6L L4 DSL	33-3008	
I30	1.6L L4 F/I	33-2451	
ix35	2.0L L4 DSL	33-2451	
ix35	2.0L L4 F/I	33-2451	
Santa Fe	2.0L L4 F/I	33-2493+	HP-1004 ¹

Vehicle	Engine Type	Air Filter	Oil Filter
2013 HYUNDAI			
Santa Fe	2.4L L4 F/I	33-2493 ♦♦	HP-1004 ¹
Santa Fe	3.3L V6 F/I	33-2493+	PS-7030
Santa Fe XL	3.3L V6 F/I	33-2493+	PS-7030
Sonata	2.0L L4 F/I	33-2448 ♦♦	HP-1004 ¹
Sonata	2.4L L4 F/I	33-2448 ♦♦	HP-1004 ¹
Sonata Hybrid	2.4L L4 F/I	33-2448+	HP-1004 ¹
Tucson	2.0L L4 F/I	33-2451+	HP-1004 ¹
Tucson	2.4L L4 F/I	33-2451+	HP-1004 ¹
Veloster	1.6L L4 F/I	33-2472 ♦♦	HP-1004 ¹
Veloster Turbo	1.6L L4 F/I	33-2472 ♦♦	HP-1004 ¹
Veracruz	3.8L V6 F/I	33-2389	

Vehicle	Engine Type	Air Filter	Oil Filter
2012 HYUNDAI			
Accent	1.6L L4 F/I	33-2472+	HP-1004 ¹
Accent IV	1.4L L4 F/I	33-2472+	
Azera	3.3L V6 F/I	33-2448+	PS-7030
Elantra	1.8L L4 F/I	33-2451 ♦♦	HP-1004 ¹
Elantra	2.0L L4 F/I	33-2380	HP-1004 ¹
Equus	5.0L V8 F/I	33-2426	PS-7029
Genesis	4.6L V8 F/I	33-2426	PS-7029
Genesis	5.0L V8 F/I	33-2426	PS-7029
Genesis Coupe	2.0L L4 F/I	33-2958 ♦♦	HP-1004 ¹
Genesis Coupe	3.8L V6 F/I	33-2958+	PS-7029
Genesis Sedan	3.8L V6 F/I	33-2426	PS-7029
H1	2.5L L4 DSL	33-2980	
i10	1.0L L3 F/I - OEM 2811304000	33-3000	
i10	1.1L L4 F/I	33-2978	
Santa Fe	2.2L L4 DSL	33-2969	
Santa Fe	2.4L L4 F/I	33-2448+	HP-1004 ¹
Santa Fe	3.5L V6 F/I	33-2448+	PS-7030
Sonata	2.0L L4 F/I	33-2448 ♦♦	HP-1004 ¹
Sonata	2.4L L4 F/I	33-2448 ♦♦	HP-1004 ¹
Sonata Hybrid	2.4L L4 F/I	33-2448+	HP-1004 ¹
Tucson	2.0L L4 F/I	33-2451+	HP-1004 ¹
Tucson	2.4L L4 F/I	33-2451+	HP-1004 ¹
Veloster	1.6L L4 F/I	33-2472 ♦♦	HP-1004 ¹
Veracruz	3.8L V6 F/I	33-2389	PS-7029

Vehicle	Engine Type	Air Filter	Oil Filter
2011 HYUNDAI			
Accent	1.6L L4 F/I	33-2354+	HP-1004 ¹
Accent IV	1.4L L4 F/I	33-2472+	
Azera	3.3L V6 F/I	33-2346+	
Azera	3.8L V6 F/I	33-2346+	
Elantra	1.8L L4 F/I	33-2451 ♦♦	HP-1004 ¹
Elantra	2.0L L4 F/I	33-2380	HP-1004 ¹
Equus	4.6L V8 F/I	33-2426	PS-7029
Genesis	4.6L V8 F/I	33-2426	PS-7029
Genesis Coupe	2.0L L4 F/I	33-2958 ♦♦	HP-1004 ¹
Genesis Coupe	3.8L V6 F/I	33-2958+	PS-7029
Genesis Sedan	3.8L V6 F/I	33-2427	PS-7029
H1	2.5L L4 DSL - 170BHP	33-2980	
Santa Fe	2.2L L4 DSL	33-2969	
Santa Fe	2.4L L4 F/I	33-2448+	HP-1004 ¹
Santa Fe	3.5L V6 F/I	33-2448+	PS-7030
Sonata	2.0L L4 F/I	33-2448 ♦♦	HP-1004 ¹
Sonata	2.4L L4 F/I	33-2448 ♦♦	HP-1004 ¹
Sonata Hybrid	2.4L L4 F/I	33-2448+	HP-1004 ¹
Tucson	2.0L L4 F/I	33-2451+	HP-1004 ¹
Tucson	2.4L L4 F/I	33-2451+	HP-1004 ¹
Veloster	1.6L L4 F/I	33-2472 ♦	
Veracruz	3.8L V6 F/I	33-2389	PS-7029

Vehicle	Engine Type	Air Filter	Oil Filter
2010 HYUNDAI			
Accent	1.4L L4 F/I	33-2354	
Accent	1.6L L4 F/I	33-2354+	HP-1004 ¹

* 2 filters required ♦ Intake System Available - see page 81 +Cabin Air Filter Available - see page 453 1- Pro Series Filter Available

AIR & OIL FILTERS

HYUNDAI

Vehicle	Engine Type	Air Filter	Oil Filter
2010 HYUNDAI			
Elantra	2.0L L4 F/I	33-2380+	HP-1004 ¹
Genesis	4.6L V8 F/I	33-2426	PS-7029
Genesis Coupe	2.0L L4 F/I	33-2958 ♦+	HP-1004 ¹
Genesis Coupe	3.8L V6 F/I	33-2958+	PS-7029
Genesis Sedan	3.8L V6 F/I	33-2427	PS-7029
H1	2.5L L4 DSL - 170BHP	33-2980	
i10	1.2L L4 F/I	33-2977	
I30	2.0L L4 DSL	33-2380	
I30	2.0L L4 F/I	33-2380	
Santa Fe	2.2L L4 DSL - from 8/10	33-2969	
Santa Fe	2.2L L4 DSL - to 7/10	33-2378	
Santa Fe	2.4L L4 F/I	33-2448+	HP-1004 ¹
Santa Fe	3.5L V6 F/I	33-2448+	PS-7030
Sonata	2.4L L4 F/I	33-2887+	HP-1004 ¹
Sonata	3.3L V6 F/I	33-2346+	PS-7029
Tucson	2.0L L4 DSL	33-2201+	
Tucson	2.4L L4 F/I	33-2451+	HP-1004 ¹
Veracruz	3.8L V6 F/I	33-2389	PS-7029

Vehicle	Engine Type	Air Filter	Oil Filter
2009 HYUNDAI			
Accent	1.4L L4 F/I	33-2354	
Accent	1.6L L4 F/I	33-2354+	HP-1004 ¹
Azera	3.8L V6 F/I	33-2346+	PS-7022
Elantra	2.0L L4 F/I	33-2380+	HP-1004 ¹
Genesis	4.6L V8 F/I	33-2426	PS-7029
Genesis Coupe	2.0L L4 F/I	33-2958	
Genesis Coupe	3.8L V6 F/I	33-2958	
Genesis Sedan	3.8L V6 F/I	33-2427	PS-7029
H1	2.5L L4 DSL - 170BHP	33-2980	
i10	1.1L L4 F/I	33-2978	
I30	2.0L L4 DSL	33-2380	
I30	2.0L L4 F/I	33-2380 ♦	
Santa Fe	2.2L L4 DSL	33-2378	
Santa Fe	2.7L V6 F/I	33-2378	HP-1008 ¹
Santa Fe	3.3L V6 F/I	33-2378	
Santa Fe	3.3L V6 F/I - w/4 Inch Tall Filter	33-2378	PS-7029
Santa Fe	3.3L V6 F/I - w/5 Inch Tall Filter	33-2378	PS-7022
Sonata	2.4L L4 F/I	33-2887+	HP-1004 ¹
Sonata	3.3L V6 F/I	33-2346+	
Sonata	3.3L V6 F/I - w/4 Inch Tall Filter	33-2346	PS-7029
Sonata	3.3L V6 F/I - w/5 Inch Tall Filter	33-2346	PS-7022
Sonata V	2.0L L4 F/I	33-2887	
Sonata V	3.3L V6 F/I	33-2346	
Tucson	2.0L L4 DSL	33-2201+	
Tucson	2.0L L4 F/I	33-2201+	HP-1004 ¹
Tucson	2.7L V6 F/I	33-2201+	HP-1008 ¹
Veracruz	3.8L V6 F/I	33-2389	

Vehicle	Engine Type	Air Filter	Oil Filter
2008 HYUNDAI			
Accent	1.4L L4 F/I	33-2354	
Accent	1.6L L4 F/I	33-2354+	HP-1004 ¹
Azera	3.8L V6 F/I	33-2346+	PS-7022
Coupe	2.0L L4 F/I	33-2201 ♦	
Elantra	2.0L L4 F/I	33-2380+	HP-1004 ¹
Entourage	3.8L V6 F/I	33-2368+	PS-7029
Genesis Coupe	3.8L V6 F/I	33-2958	
Santa Fe	2.2L L4 DSL	33-2378	
Santa Fe	2.7L V6 F/I	33-2378	HP-1008 ¹
Santa Fe	3.3L V6 F/I	33-2378	PS-7022
Sonata	2.4L L4 F/I	33-2887+	HP-1004 ¹
Sonata	3.3L V6 F/I	33-2346+	PS-7022
Sonata V	2.0L L4 F/I	33-2887	

Vehicle	Engine Type	Air Filter	Oil Filter
2008 HYUNDAI			
Sonata V	2.4L L4 F/I	33-2887	HP-1004 ¹
Sonata V	3.3L V6 F/I	33-2346	
Tiburon	2.0L L4 F/I	33-2201+	HP-1004 ¹
Tiburon	2.7L V6 F/I	33-2201+	HP-1008 ¹
Tucson	2.0L L4 DSL	33-2201+	
Tucson	2.0L L4 F/I	33-2201+	HP-1004 ¹
Tucson	2.7L V6 F/I	33-2201+	HP-1008 ¹
Veracruz	3.8L V6 F/I	33-2389	
Veracruz	3.8L V6 F/I - w/4 Inch Tall Filter	33-2389	PS-7029
Veracruz	3.8L V6 F/I - w/5 Inch Tall Filter	33-2389	PS-7022

Vehicle	Engine Type	Air Filter	Oil Filter
2007 HYUNDAI			
Accent	1.4L L4 F/I	33-2354	
Accent	1.6L L4 F/I	33-2354	HP-1004 ¹
Azera	3.3L V6 F/I	33-2346+	PS-7022
Azera	3.8L V6 F/I	33-2346+	PS-7022
Elantra	1.6L L4 F/I	33-2201	
Elantra	2.0L L4 DSL	33-2201	
Elantra	2.0L L4 F/I		HP-1004 ¹
Elantra	2.0L L4 F/I - Non-US	33-2201+	HP-1004
Elantra	2.0L L4 F/I - US	33-2380+	HP-1004
Entourage	3.8L V6 F/I	33-2368+	PS-7022
Santa Fe	2.2L L4 DSL	33-2378	
Santa Fe	2.7L V6 F/I	33-2378	HP-1008 ¹
Santa Fe	3.3L V6 F/I	33-2378	PS-7022
Sonata	2.4L L4 F/I	33-2887+	HP-1004 ¹
Sonata	3.3L V6 F/I	33-2346+	PS-7022
Sonata V	2.0L L4 F/I	33-2887	
Sonata V	2.4L L4 F/I	33-2887	HP-1004 ¹
Sonata V	3.3L V6 F/I	33-2346	
Tiburon	2.0L L4 F/I	33-2201+	HP-1004 ¹
Tiburon	2.7L V6 F/I	33-2201+	HP-1008 ¹
Tucson	2.0L L4 DSL	33-2201+	
Tucson	2.0L L4 F/I	33-2201+	HP-1004 ¹
Tucson	2.7L V6 F/I	33-2201+	HP-1008 ¹
Tucson	3.3L V6 F/I	33-2378	
Veracruz	3.8L V6 F/I	33-2389	PS-7022

Vehicle	Engine Type	Air Filter	Oil Filter
2006 HYUNDAI			
Accent	1.4L L4 F/I	33-2354	
Accent	1.5L L4 F/I	33-2182	
Accent	1.6L L4 F/I	33-2354 ♦	HP-1004 ¹
Azera	3.8L V6 F/I	33-2346+	PS-7022
Elantra	1.6L L4 F/I	33-2201	
Elantra	2.0L L4 DSL	33-2201	
Elantra	2.0L L4 F/I	33-2201+	HP-1004 ¹
Santa Fe	2.7L V6 F/I		HP-1008 ¹
Santa Fe	2.7L V6 F/I - Non-US, from 4/06	33-2378+	HP-1008
Santa Fe	2.7L V6 F/I - US, Non-US, to 3/06	33-2198+	HP-1008
Santa Fe	3.5L V6 F/I	33-2312+	HP-1004 ¹
Sonata	2.4L L4 F/I	33-2887+	HP-1004 ¹
Sonata	3.3L V6 F/I	33-2346+	PS-7022
Sonata V	2.0L L4 F/I	33-2887	
Sonata V	2.4L L4 F/I	33-2887	HP-1004 ¹
Sonata V	3.3L V6 F/I	33-2346	
Tiburon	2.0L L4 F/I	33-2201+	HP-1004 ¹
Tiburon	2.7L V6 F/I	33-2201+	HP-1008 ¹
Tucson	2.0L L4 DSL	33-2201+	
Tucson	2.0L L4 F/I	33-2201+	HP-1004 ¹
Tucson	2.7L V6 F/I	33-2201+	HP-1008 ¹
2005 HYUNDAI			
Accent	1.3L L4 F/I	33-2182 ♦	

* 2 filters required ♦ Intake System Available - see page 81 +Cabin Air Filter Available - see page 453 1- Pro Series Filter Available

HYUNDAI

AIR & OIL FILTERS

Vehicle	Engine Type	Air Filter	Oil Filter
2005 HYUNDAI			
Accent	1.4L L4 F/I	33-2354	
Accent	1.5L L4 F/I	33-2182	
Accent	1.6L L4 F/I	33-2182 ♦	HP-1004 ¹
Elantra	1.6L L4 F/I	33-2201	
Elantra	1.8L L4 F/I	33-2201	
Elantra	2.0L L4 DSL	33-2201	
Elantra	2.0L L4 F/I	33-2201+	HP-1004 ¹
Matrix	1.6L L4 F/I	33-2868	
Santa Fe	2.0L L4 DSL	33-2198	
Santa Fe	2.0L L4 F/I	33-2198	
Santa Fe	2.4L L4 F/I	33-2198+	HP-1004 ¹
Santa Fe	2.7L V6 F/I	33-2198+	HP-1008 ¹
Santa Fe	3.5L V6 F/I	33-2312+	HP-1004 ¹
Sonata	2.4L L4 F/I	33-2188+	HP-1004 ¹
Sonata	2.7L V6 F/I	33-2188+	HP-1008 ¹
Sonata IV	2.0L L4 F/I	33-2188	
Sonata V	2.4L L4 F/I	33-2887	
Sonata V	3.3L V6 F/I	33-2346	
Tiburon	2.0L L4 F/I	33-2201+	HP-1004 ¹
Tiburon GT	2.7L V6 F/I	33-2201 ♦+	HP-1008 ¹
Tiburon SE	2.7L V6 F/I	33-2201+	HP-1008 ¹
Tucson	2.0L L4 DSL	33-2201+	
Tucson	2.0L L4 F/I	33-2201+	HP-1004 ¹
Tucson	2.7L V6 F/I	33-2201+	HP-1008 ¹
XG350	3.5L V6 F/I	33-2199+	HP-1004 ¹

2004 HYUNDAI			
Accent	1.3L L4 F/I	33-2182 ♦	
Accent	1.5L L4 F/I	33-2182	
Accent	1.6L L4 F/I	33-2182 ♦	HP-1004 ¹
Elantra	1.6L L4 F/I	33-2201	
Elantra	1.8L L4 F/I	33-2201	
Elantra	2.0L L4 DSL	33-2201	
Elantra	2.0L L4 F/I	33-2201+	HP-1004 ¹
Excel	1.5L L4 F/I	33-2093	
Santa Fe	2.0L L4 DSL	33-2198	
Santa Fe	2.0L L4 F/I	33-2198	
Santa Fe	2.4L L4 F/I	33-2198+	HP-1004 ¹
Santa Fe	2.7L V6 F/I	33-2198+	HP-1008 ¹
Santa Fe	3.5L V6 F/I	33-2312+	HP-1004 ¹
Sonata	2.4L L4 F/I	33-2188+	HP-1004 ¹
Sonata	2.7L V6 F/I	33-2188+	HP-1008 ¹
Sonata IV	2.0L L4 F/I	33-2188	
Sonata IV	2.7L V6 F/I	33-2188	HP-1008 ¹
Tiburon	2.0L L4 F/I	33-2201+	HP-1004 ¹
Tiburon GT	2.7L V6 F/I	33-2201 ♦+	HP-1008 ¹
XG350	3.5L V6 F/I	33-2199+	HP-1004 ¹

2003 HYUNDAI			
Accent	1.3L L4 F/I	33-2182 ♦	
Accent	1.5L L4 F/I	33-2182 ♦	HP-1004 ¹
Accent	1.6L L4 F/I	33-2182 ♦	HP-1004 ¹
Elantra	1.6L L4 F/I	33-2201	
Elantra	1.8L L4 F/I	33-2201	
Elantra	2.0L L4 DSL	33-2201	
Elantra	2.0L L4 F/I	33-2201+	HP-1004 ¹
Getz	1.3L L4 F/I	33-2094 ♦	
Santa Fe	2.0L L4 DSL	33-2198	
Santa Fe	2.0L L4 F/I	33-2198	
Santa Fe	2.4L L4 F/I	33-2198+	HP-1004 ¹
Santa Fe	2.7L V6 F/I	33-2198+	HP-1008 ¹
Santa Fe	3.5L V6 F/I		HP-1004 ¹
Sonata	2.4L L4 F/I	33-2188+	HP-1004 ¹
Sonata	2.7L V6 F/I	33-2188+	HP-1008 ¹
Sonata IV	2.0L L4 F/I	33-2188	

Vehicle	Engine Type	Air Filter	Oil Filter
2003 HYUNDAI			
Sonata IV	2.7L V6 F/I	33-2188	HP-1008 ¹
Tiburon	2.0L L4 F/I	33-2201+	HP-1004 ¹
Tiburon GT	2.7L V6 F/I	33-2201 ♦+	HP-1008 ¹
XG350	3.5L V6 F/I	33-2199+	

2002 HYUNDAI			
Accent	1.3L L4 F/I	33-2182 ♦	
Accent	1.5L L4 F/I	33-2182 ♦	HP-1004 ¹
Accent	1.6L L4 F/I	33-2182	HP-1004 ¹
Elantra	1.6L L4 F/I	33-2201	
Elantra	1.8L L4 F/I	33-2201	
Elantra	2.0L L4 DSL	33-2201	
Elantra	2.0L L4 F/I	33-2201+	HP-1004 ¹
Elantra	2.4L L4 F/I	33-2198+	HP-1004 ¹
Santa Fe	2.7L V6 F/I	33-2198+	HP-1008 ¹
Sonata	2.4L L4 F/I	33-2188+	HP-1004 ¹
Sonata	2.7L V6 F/I	33-2188+	HP-1008 ¹
Sonata IV	2.0L L4 F/I	33-2188	
Sonata IV	2.7L V6 F/I	33-2188	HP-1008 ¹
XG350	3.5L V6 F/I	33-2199+	

2001 HYUNDAI			
Accent	1.3L L4 F/I	33-2182 ♦	
Accent	1.5L L4 F/I	33-2182 ♦	HP-1004 ¹
Accent	1.6L L4 F/I		HP-1004 ¹
Accent	1.6L L4 F/I - Exc. Leaded Fuel	33-2182	HP-1004
Accent	1.6L L4 F/I - leaded fuel	33-2202	HP-1004
Elantra	1.6L L4 F/I	33-2201	
Elantra	1.8L L4 F/I	33-2201	
Elantra	2.0L L4 DSL	33-2201	
Elantra	2.0L L4 F/I	33-2201+	HP-1004 ¹
Santa Fe	2.0L L4 DSL	33-2198	
Santa Fe	2.0L L4 F/I	33-2198	
Santa Fe	2.4L L4 F/I	33-2198+	HP-1004 ¹
Santa Fe	2.7L V6 F/I	33-2198+	HP-1008 ¹
Sonata	2.5L V6 F/I	33-2188+	HP-1004 ¹
Sonata III	2.5L V6 F/I	33-2188	HP-1004 ¹
Terracan	2.5L L4 DSL	33-2833	
Tiburon	2.0L L4 F/I	33-2753	HP-1004 ¹
XG300	3.0L V6 F/I	33-2199+	HP-1004 ¹

2000 HYUNDAI			
Accent	1.5L L4 F/I	33-2182 ♦	HP-1004 ¹
Elantra	1.6L L4 F/I	33-2201	
Elantra	1.8L L4 F/I	33-2201	
Elantra	2.0L L4 F/I		HP-1004 ¹
Elantra	2.0L L4 F/I - Non-US	33-2201	HP-1004
Elantra	2.0L L4 F/I - US	33-2753	HP-1004
Sonata	2.4L L4 F/I	33-2188+	HP-1004 ¹
Sonata	2.5L V6 F/I	33-2188+	HP-1004 ¹
Sonata III	2.4L L4 F/I	E-2875	HP-1004 ¹
Sonata III	2.5L V6 F/I	33-2188	HP-1004 ¹
Tiburon	2.0L L4 F/I	33-2753	HP-1004 ¹

1999 HYUNDAI			
Accent	1.5L L4 F/I	33-2161	HP-1004 ¹
Elantra	2.0L L4 F/I	33-2753	HP-1004 ¹
Tiburon	2.0L L4 F/I	33-2753	HP-1004 ¹

1998 HYUNDAI			
Elantra	1.8L L4 F/I	33-2753	HP-1004 ¹

1997 HYUNDAI			
Tiburon	1.8L L4 F/I	33-2753	
Tiburon	2.0L L4 F/I	33-2753	

* 2 filters required ♦ Intake System Available - see page 81 +Cabin Air Filter Available - see page 453 1- Pro Series Filter Available

AIR & OIL FILTERS

HYUNDAI

Vehicle	Engine Type	Air Filter	Oil Filter
1995 HYUNDAI			
S Coupe	1.5L L4 F/I	33-2679	
1994 HYUNDAI			
S Coupe	1.5L L4 F/I	33-2679	
1993 HYUNDAI			
S Coupe	1.5L L4 F/I	33-2679	
2016 INDIAN			
Chief Dark Horse	111 CI	PL-1814	
Scout	69 CI	PL-1115	
Scout Sixty	69 CI	PL-1115	
2015 INDIAN			
Chief Classic	111 CI	PL-1814	
Chief Vintage	111 CI	PL-1814	
Chieftain	111 CI	PL-1814	
Roadmaster	111 CI	PL-1814	
Scout	69 CI	PL-1115	
2014 INDIAN			
Chief Classic	111 CI	PL-1814	
Chief Vintage	111 CI	PL-1814	
Chieftain	111 CI	PL-1814	
2013 INDIAN			
Chief Classic	105 CI	E-3290	
Chief Dark Horse	105 CI	E-3290	
Chief Vintage	105 CI	E-3290	
Chief Vintage FE	105 CI	E-3290	
Chief Vintage LE	105 CI	E-3290	
2012 INDIAN			
Chief Vintage	105 CI	E-3290	
2009 INDIAN			
Chief Vintage	105 CI	E-3290	
2003 INDIAN			
Chief	1638	E-3981	
Scout	1436 - w/S&S teardrop backplate & Indian teardrop cvr	E-3971	
Spirit	1436 - w/S&S teardrop backplate & Indian teardrop cvr	E-3971	
2002 INDIAN			
Chief	1638	E-3981	
Scout	1436 - w/S&S teardrop backplate & Indian teardrop cvr	E-3971	
Spirit	1436 - w/S&S teardrop backplate & Indian teardrop cvr	E-3971	
2001 INDIAN			
Scout	1436 - w/S&S teardrop backplate & Indian teardrop cvr	E-3971	
Spirit	1436 - w/S&S teardrop backplate & Indian teardrop cvr	E-3971	
2000 INDIAN			
Chief	1436 - w/S&S teardrop backplate & Indian teardrop cvr	E-3971	
1999 INDIAN			
Chief	1436 - w/S&S teardrop backplate & Indian teardrop cvr	E-3971	
2016 INFINITI			
QX50	3.7L V6 F/I	33-2399*	

Vehicle	Engine Type	Air Filter	Oil Filter
2016 INFINITI			
QX70	3.7L V6 F/I	33-2409*	
QX80	5.6L V8 F/I	33-2456	
2015 INFINITI			
G37	3.7L V6 F/I		HP-1008 ¹
Q40	3.7L V6 F/I		HP-1008 ¹
Q50	3.5L V6 F/I	33-5014*	HP-1008 ¹
Q50	3.7L V6 F/I	33-5014* ♦	HP-1008 ¹
Q60	3.7L V6 F/I	33-2399*	HP-1008 ¹
Q70	3.7L V6 F/I	33-2440	HP-1008 ¹
Q70	5.6L V8 F/I	33-2409*	HP-1010 ¹
Q70L	3.7L V6 F/I	33-2440	HP-1008 ¹
Q70L	5.6L V8 F/I	33-2409*	HP-1010 ¹
QX50	3.7L V6 F/I	33-2399*	HP-1008 ¹
QX60	3.5L V6 F/I	33-2031-2 ♦	HP-1008 ¹
QX70	3.7L V6 F/I	33-2409*	HP-1008 ¹
QX80	5.6L V8 F/I	33-2456	HP-1010 ¹
2014 INFINITI			
G37	3.7L V6 F/I		HP-1008 ¹
Q50	3.5L V6 F/I	33-5014*	HP-1008 ¹
Q50	3.7L V6 F/I	33-5014* ♦	HP-1008 ¹
Q60	3.7L V6 F/I	33-2399*	HP-1008 ¹
Q70	3.7L V6 F/I	33-2440*	HP-1008 ¹
Q70	5.6L V8 F/I	33-2409*	
QX50	3.7L V6 F/I	33-2399*	HP-1008 ¹
QX60	2.5L L4 F/I		HP-1008 ¹
QX60	3.5L V6 F/I	33-2031-2 ♦	HP-1008 ¹
QX70	3.7L V6 F/I	33-2409*	HP-1008 ¹
QX70	5.0L V8 F/I	33-2409*	
QX80	5.6L V8 F/I	33-2456	HP-1010 ¹
2013 INFINITI			
EX37	3.7L V6 F/I	33-2399*	HP-1008 ¹
FX37	3.7L V6 F/I	33-2409*	HP-1008 ¹
FX50	5.0L V8 F/I	33-2409*	HP-1010 ¹
G37	3.7L V6 F/I	33-2399* ♦	HP-1008 ¹
JX35	3.5L V6 F/I	33-2031-2 ♦	HP-1008 ¹
M37	3.7L V6 F/I	33-2440	HP-1008 ¹
M56	5.6L V8 F/I	33-2409*	HP-1010 ¹
QX56	5.6L V8 F/I	33-2456	HP-1010 ¹
2012 INFINITI			
EX35	3.5L V6 F/I	33-2399*	HP-1008 ¹
FX35	3.5L V6 F/I	33-2409*	HP-1008 ¹
FX50	5.0L V8 F/I	33-2409*	HP-1010 ¹
G25	2.5L V6 F/I	33-2399*	HP-1008 ¹
G37	3.7L V6 F/I	33-2399* ♦	HP-1008 ¹
M35h	3.5L V6 F/I		HP-1008 ¹
M37	3.7L V6 F/I	33-2440	HP-1008 ¹
M56	5.6L V8 F/I	33-2409*	HP-1010 ¹
QX56	5.6L V8 F/I	33-2456	HP-1010 ¹
2011 INFINITI			
EX35	3.5L V6 F/I	33-2399*	HP-1008 ¹
FX35	3.5L V6 F/I	33-2409*	HP-1008 ¹
FX50	5.0L V8 F/I	33-2409*	HP-1010 ¹
G25	2.5L V6 F/I	33-2399*	HP-1008 ¹
G37	3.7L V6 F/I	33-2399* ♦	HP-1008 ¹
M37	3.7L V6 F/I	33-2440	HP-1008 ¹
M56	5.6L V8 F/I	33-2409*	HP-1010 ¹
QX56	5.6L V8 F/I	33-2456	HP-1010 ¹
2010 INFINITI			
EX35	3.5L V6 F/I	33-2399*	HP-1008 ¹
FX35	3.5L V6 F/I	33-2409*	HP-1008 ¹
FX50	5.0L V8 F/I	33-2409*	HP-1010 ¹

* 2 filters required ♦ Intake System Available - see page 81 +Cabin Air Filter Available - see page 453 1- Pro Series Filter Available

Partial Listing - Complete List of Vehicles and Applications at knfilters.com

INFINITI

AIR & OIL FILTERS

Vehicle	Engine Type	Air Filter	Oil Filter
2010 INFINITI			
G37	3.7L V6 F/I	33-2399* ♦	HP-1008 ¹
M35	3.5L V6 F/I	33-2440	HP-1008 ¹
M45	4.5L V8 F/I	33-2398	
QX56	5.6L V8 F/I	33-2286 ♦♦	HP-1010 ¹
2009 INFINITI			
EX35	3.5L V6 F/I	33-2399*	HP-1008 ¹
FX35	3.5L V6 F/I	33-2409*	HP-1008 ¹
FX50	5.0L V8 F/I	33-2409*	HP-1010 ¹
G37	3.7L V6 F/I	33-2399* ♦	HP-1008 ¹
M35	3.5L V6 F/I	33-2440	HP-1008 ¹
M45	4.5L V8 F/I	33-2398	
QX56	5.6L V8 F/I	33-2286 ♦♦	HP-1010 ¹
2008 INFINITI			
EX35	3.5L V6 F/I	33-2399*	HP-1008 ¹
FX35	3.5L V6 F/I	33-2031-2+	HP-1008 ¹
FX45	4.5L V8 F/I	33-2229+	
G35	3.5L V6 F/I	33-2399* ♦♦	HP-1008 ¹
G37	3.7L V6 F/I	33-2399* ♦	HP-1008 ¹
M35	3.5L V6 F/I	33-2397	HP-1008 ¹
M45	4.5L V8 F/I	33-2398	HP-1010 ¹
QX56	5.6L V8 F/I	33-2286 ♦♦	HP-1010 ¹
2007 INFINITI			
FX35	3.5L V6 F/I	33-2031-2+	HP-1008 ¹
FX45	4.5L V8 F/I	33-2229+	HP-1010 ¹
G35	3.5L V6 F/I		HP-1008 ¹
G35	3.5L V6 F/I - Coupe	33-2031-2+	HP-1008
G35	3.5L V6 F/I - Sedan	33-2399* ♦♦	HP-1008
M35	3.5L V6 F/I	33-2397	HP-1008 ¹
M45	4.5L V8 F/I	33-2398	HP-1010 ¹
QX56	5.6L V8 F/I	33-2286 ♦♦	HP-1010 ¹
2006 INFINITI			
FX35	3.5L V6 F/I	33-2031-2+	HP-1008 ¹
FX45	4.5L V8 F/I	33-2229+	HP-1010 ¹
G35	3.5L V6 F/I	33-2031-2 ♦♦	HP-1008 ¹
M35	3.5L V6 F/I	33-2397	HP-1008 ¹
M45	4.5L V8 F/I	33-2398	HP-1010 ¹
QX56	5.6L V8 F/I	33-2286 ♦♦	HP-1010 ¹
2005 INFINITI			
FX35	3.5L V6 F/I	33-2031-2+	HP-1008 ¹
FX45	4.5L V8 F/I	33-2229+	HP-1010 ¹
G35	3.5L V6 F/I	33-2031-2 ♦♦	HP-1008 ¹
Q45	4.5L V8 F/I	33-2229	HP-1010 ¹
QX56	5.6L V8 F/I	33-2286 ♦♦	HP-1010 ¹
2004 INFINITI			
FX35	3.5L V6 F/I	33-2031-2+	HP-1008 ¹
FX45	4.5L V8 F/I	33-2229+	HP-1010 ¹
G35	3.5L V6 F/I	33-2031-2 ♦♦	HP-1008 ¹
I35	3.5L V6 F/I	33-2031-2	HP-1010 ¹
M45	4.5L V8 F/I	33-2229	HP-1010 ¹
Q45	4.5L V8 F/I	33-2229	HP-1010 ¹
QX56	5.6L V8 F/I	33-2286 ♦♦	HP-1010 ¹
2003 INFINITI			
FX35	3.5L V6 F/I	33-2031-2+	HP-1008 ¹
FX45	4.5L V8 F/I	33-2229+	HP-1010 ¹
G35	3.5L V6 F/I	33-2031-2 ♦♦	HP-1008 ¹
I35	3.5L V6 F/I	33-2031-2	HP-1010 ¹
M45	4.5L V8 F/I	33-2229	HP-1010 ¹
Q45	4.5L V8 F/I	33-2229	HP-1010 ¹
QX4	3.5L V6 F/I	33-2031-2	HP-1008 ¹

Vehicle	Engine Type	Air Filter	Oil Filter
2002 INFINITI			
G20	2.0L L4 F/I	33-2031-2	HP-1008 ¹
I35	3.5L V6 F/I	33-2031-2	HP-1008 ¹
Q45	4.5L V8 F/I	33-2229	HP-1010 ¹
QX4	3.5L V6 F/I	33-2031-2	HP-1008 ¹
2001 INFINITI			
G20	2.0L L4 F/I	33-2031-2	HP-1008 ¹
I30	3.0L V6 F/I	33-2031-2	HP-1010 ¹
Q45	4.1L V8 F/I	33-2031-2	
QX4	3.5L V6 F/I	33-2031-2	HP-1010 ¹
2000 INFINITI			
G20	2.0L L4 F/I	33-2031-2	HP-1008 ¹
I30	3.0L V6 F/I	33-2031-2	HP-1010 ¹
Q45	4.1L V8 F/I	33-2110	HP-1010 ¹
QX4	3.3L V6 F/I	33-2031-2	
1999 INFINITI			
G20	2.0L L4 F/I	33-2031-2	HP-1008 ¹
I30	3.0L V6 F/I	33-2031-2	HP-1010 ¹
Q45	4.1L V8 F/I	33-2110	HP-1010 ¹
QX4	3.3L V6 F/I	33-2031-2	HP-1010 ¹
1998 INFINITI			
I30	3.0L V6 F/I	33-2031-2	HP-1010 ¹
Q45	4.1L V8 F/I	33-2110	HP-1010 ¹
QX4	3.3L V6 F/I	33-2031-2	HP-1010 ¹
1997 INFINITI			
I30	3.0L V6 F/I	33-2031-2	HP-1010 ¹
J30	3.0L V6 F/I	33-2031-2	HP-2008 ¹
Q45	4.1L V8 F/I	33-2110	HP-1010 ¹
QX4	3.3L V6 F/I	33-2031-2	HP-1010 ¹
1996 INFINITI			
G20	2.0L L4 F/I	33-2031-2	
I30	3.0L V6 F/I	33-2031-2	HP-1010 ¹
1995 INFINITI			
G20	2.0L L4 F/I	33-2031-2	
J30	3.0L V6 F/I	33-2031-2	HP-2008 ¹
Q45	4.5L V8 F/I	33-2110	HP-2008 ¹
1994 INFINITI			
G20	2.0L L4 F/I	33-2031-2	
J30	3.0L V6 F/I		HP-2008 ¹
Q45	4.5L V8 F/I	33-2110	HP-2008 ¹
1993 INFINITI			
G20	2.0L L4 F/I	33-2031-2	
J30	3.0L V6 F/I		HP-2008 ¹
1991 INFINITI			
M30	3.0L V6 F/I		HP-2008 ¹
2012 ISUZU			
D-Max	2.5L L4 DSL	33-3002	
2011 ISUZU			
D-Max	2.5L L4 DSL	33-2013	
D-Max	3.0L L4 DSL	33-2013	
2010 ISUZU			
D-Max	2.5L L4 DSL	33-2013	
D-Max	3.0L L4 DSL	33-2013	
2009 ISUZU			
D-Max	2.5L L4 DSL	33-2013	
D-Max	3.0L L4 DSL	33-2013	
2008 ISUZU			
D-Max	3.0L L4 DSL	33-2013	

* 2 filters required ♦ Intake System Available - see page 81 +Cabin Air Filter Available - see page 453 1- Pro Series Filter Available

AIR & OIL FILTERS

ISUZU

Vehicle	Engine Type	Air Filter	Oil Filter
2008 ISUZU			
i-290	2.9L L4 F/I		HP-1007 ¹
2007 ISUZU			
Ascender	4.2L L6 F/I	E-1009 ♦	
D-Max	2.5L L4 DSL	33-2013	
D-Max	3.0L L4 DSL	33-2013	
i-290	2.9L L4 F/I	E-0773	HP-1007 ¹
i-370	3.7L L5 F/I	E-0773	
2006 ISUZU			
Ascender	4.2L L6 F/I	E-1009 ♦	
i-280	2.8L L4 F/I	E-0773	HP-1007 ¹
I350	3.5L L5 F/I	E-0773	
2005 ISUZU			
Ascender	4.2L L6 F/I	E-1009	HP-2006 ¹
Rodeo	3.0L L4 DSL	E-2023	
2004 ISUZU			
Ascender	4.2L L6 F/I	E-1009	
Rodeo	3.0L L4 DSL	E-2023	
Rodeo	3.2L V6 F/I	33-2108	
Rodeo	3.5L V6 F/I	33-2108	HP-1004 ¹
Rodeo	3.5L V6 F/I - Australia	33-2918	HP-1004
2003 ISUZU			
Rodeo	3.2L V6 F/I	33-2108	HP-1004 ¹
Rodeo Sport	3.2L V6 F/I		HP-1004 ¹
2002 ISUZU			
Axiom	3.5L V6 F/I	33-2108	HP-1004 ¹
Rodeo	2.2L L4 F/I	33-2108	
Rodeo	3.2L V6 F/I	33-2108	HP-1004 ¹
Rodeo Sport	2.2L L4 F/I		HP-1001 ¹
Rodeo Sport	3.2L V6 F/I		HP-1004 ¹
Trooper	3.5L V6 F/I	33-2064	HP-1004 ¹
2001 ISUZU			
Rodeo	3.2L V6 F/I	33-2108	HP-1004 ¹
Rodeo Sport	3.2L V6 F/I		HP-1004 ¹
Trooper	3.5L V6 F/I	33-2064	HP-1004 ¹
Vehicross	3.5L V6 F/I	33-2064	
2000 ISUZU			
Rodeo	3.2L V6 F/I	33-2108	HP-1004 ¹
Trooper	3.5L V6 F/I	33-2064	HP-1004 ¹
Vehicross	3.5L V6 F/I	33-2064	HP-1004 ¹
1999 ISUZU			
Amigo	2.2L L4 F/I	33-2108	HP-1001 ¹
Amigo	3.2L V6 F/I	33-2108	HP-1004 ¹
Rodeo	3.2L V6 F/I	33-2108	HP-1004 ¹
Trooper	3.5L V6 F/I	33-2064	HP-1004 ¹
Vehicross	3.5L V6 F/I	33-2064	HP-1004 ¹
1998 ISUZU			
Hombre	2.2L L4 F/I	33-2042	HP-1001 ¹
Rodeo	3.2L V6 F/I	33-2108	HP-1004 ¹
Trooper	3.5L V6 F/I	33-2064	HP-1004 ¹
1997 ISUZU			
Rodeo	3.2L V6 F/I	33-2108	HP-1004 ¹
Trooper	3.2L V6 F/I	33-2064	
1996 ISUZU			
Rodeo	3.2L V6 F/I	33-2108	HP-1004 ¹
Trooper	3.2L V6 F/I	33-2064	HP-1004 ¹
1995 ISUZU			
Rodeo	3.2L V6 F/I	33-2064	HP-1004 ¹

Vehicle	Engine Type	Air Filter	Oil Filter
1995 ISUZU			
Trooper	3.2L V6 F/I	33-2064	HP-1004 ¹
1994 ISUZU			
Rodeo	3.2L V6 F/I	33-2064	HP-1004 ¹
Trooper	3.2L V6 F/I	33-2064	HP-1004 ¹
1993 ISUZU			
Rodeo	3.2L V6 F/I	33-2064	
Trooper	3.2L V6 F/I	33-2064	HP-1004 ¹
1992 ISUZU			
Pickup	2.3L L4 CARB	E-2760	
Rodeo	3.1L V6 F/I	E-1065	HP-1001 ¹
1991 ISUZU			
Trooper	2.8L L6 DSL	E-2220	
Trooper	2.8L V6 F/I	E-1065	HP-1001 ¹
1990 ISUZU			
Trooper	2.6L L4 F/I	E-2605-1	
Trooper	2.8L L6 DSL	E-2220	
Trooper	2.8L V6 F/I	E-1065	HP-1001 ¹
1989 ISUZU			
Pickup	2.6L L4 F/I		HP-1004 ¹
Trooper	2.6L L4 F/I		HP-1004 ¹
1988 ISUZU			
Pickup	2.3L L4 CARB	E-2760	
2015 JAGUAR			
F-Type	3.0L V6 F/I - Left Side Airbox	33-3021	
F-Type	3.0L V6 F/I - Right Side Airbox	33-3022	
F-Type	5.0L V8 F/I - Left Side Airbox	33-3021	
F-Type	5.0L V8 F/I - Right Side Airbox	33-3022	
XF	3.0L V6 DSL	33-2273	
XF	3.0L V6 F/I	33-2273*	
XFR	5.0L V8 F/I	33-2273*	
XJ	3.0L V6 DSL	33-2273	
XJ	3.0L V6 F/I	33-2273*	
XJR	5.0L V8 F/I	33-2273*	
XKR	5.0L V8 F/I	33-2445	
XKR-S	5.0L V8 F/I	33-2445	
2014 JAGUAR			
F-Type	3.0L V6 F/I - Left Side Airbox	33-3021	
F-Type	3.0L V6 F/I - Right Side Airbox	33-3022	
F-Type	5.0L V8 F/I - Left Side Airbox	33-3021	
F-Type	5.0L V8 F/I - Right Side Airbox	33-3022	
XF	3.0L V6 DSL	33-2273	
XF	3.0L V6 F/I	33-2273*	
XFR	5.0L V8 F/I	33-2273*	
XJ	3.0L V6 DSL	33-2273	
XJ	3.0L V6 F/I	33-2273*	
XJR	5.0L V8 F/I	33-2273*	
XKR	5.0L V8 F/I	33-2445	
XKR-S	5.0L V8 F/I	33-2445	
2013 JAGUAR			
XF	2.0L L4 F/I	33-2273	
XF	3.0L V6 DSL	33-2273	
XF	3.0L V6 F/I	33-2273*	
XF	5.0L V8 F/I	33-2273*	
XFR	5.0L V8 F/I	33-2273*	

* 2 filters required ♦ Intake System Available - see page 81 +Cabin Air Filter Available - see page 453 1- Pro Series Filter Available

Partial Listing - Complete List of Vehicles and Applications at knfilters.com

JAGUAR

AIR & OIL FILTERS

Vehicle	Engine Type	Air Filter	Oil Filter
2013 JAGUAR			
XJ	3.0L V6 DSL	33-2273	
XJ	3.0L V6 F/I	33-2273*	
XJ	5.0L V8 F/I	33-2273*	
XKR	5.0L V8 F/I	33-2445	
XKR-S	5.0L V8 F/I	33-2445	
2012 JAGUAR			
XF	3.0L V6 DSL	33-2273	
XF	5.0L V8 F/I	33-2273*	
XFR	5.0L V8 F/I	33-2273*	
XJ	5.0L V8 F/I	33-2273*	
XKR	5.0L V8 F/I	33-2445	
XKR-S	5.0L V8 F/I	33-2445	
2011 JAGUAR			
XF	3.0L V6 DSL	33-2273	
XF	3.0L V6 F/I	33-2273	
XF	5.0L V8 F/I	33-2273*	
XFR	5.0L V8 F/I	33-2273*	
XJ	5.0L V8 F/I	33-2273*	
XKR	5.0L V8 F/I	33-2445	
2010 JAGUAR			
XF	4.2L V8 F/I	33-2273	HP-1014
XF	5.0L V8 F/I	33-2273*	
XFR	5.0L V8 F/I	33-2273*	
XKR	5.0L V8 F/I	33-2445	
2009 JAGUAR			
XF	3.0L V6 F/I		HP-2009 ¹
XF	4.2L V8 F/I	33-2273*	HP-1014
XF Luxury	4.2L V8 F/I	33-2273	HP-1014
XK	4.2L V8 F/I	33-3010	
XKR	4.2L V8 F/I	33-2445*	HP-1014
2008 JAGUAR			
S-Type	3.0L V6 F/I - US	33-2273	
Vanden Plas	4.2L V8 F/I		HP-1014
XJ8	4.2L V8 F/I	33-2273	HP-1014
XK	4.2L V8 F/I	33-3010	
XKR	4.2L V8 F/I	33-2445*	HP-1014
X-Type	3.0L V6 F/I	33-2264	
2007 JAGUAR			
S-Type	3.0L V6 F/I - US	33-2273	
S-Type	4.2L V8 F/I	33-2273	HP-1014
XK	4.2L V8 F/I	33-3010	HP-1014
XK8	4.2L V8 F/I	33-2190	
XKR	4.2L V8 F/I	33-2445*	HP-1014
X-Type	3.0L V6 F/I	33-2264	HP-2009 ¹
2006 JAGUAR			
S-Type	3.0L V6 F/I		HP-2009 ¹
S-Type	3.0L V6 F/I - Non-US	33-2266	HP-2009
S-Type	3.0L V6 F/I - US	33-2273	HP-2009
S-Type	4.2L V8 F/I	33-2273	HP-1014
Super V8	4.2L V8 F/I	33-2273	
Vanden Plas	4.2L V8 F/I	33-2273	
XJ8	4.2L V8 F/I	33-2273	HP-1014
XJR	4.2L V8 F/I	33-2273	
XK8	4.2L V8 F/I	33-2190	
XK8-R	4.2L V8 F/I	33-2190	
X-Type	3.0L V6 F/I	33-2264	HP-2009 ¹
2005 JAGUAR			
S-Type	3.0L V6 F/I		HP-2009 ¹
S-Type	3.0L V6 F/I - Non-US	33-2266	HP-2009
S-Type	3.0L V6 F/I - US	33-2273	HP-2009

Vehicle	Engine Type	Air Filter	Oil Filter
2005 JAGUAR			
S-Type	4.2L V8 F/I	33-2273	HP-1014
Vanden Plas	4.2L V8 F/I	33-2273	HP-1014
XJ8	4.2L V8 F/I	33-2273	HP-1014
XJR	4.2L V8 F/I	33-2273	HP-1014
XK8	4.2L V8 F/I	33-2190	HP-1014
XK8-R	4.2L V8 F/I	33-2190	
XKR	4.2L V8 F/I	33-2190	HP-1014
X-Type	2.0L V6 F/I	33-2264	
X-Type	3.0L V6 F/I	33-2264	HP-2009 ¹
2004 JAGUAR			
S-Type	3.0L V6 F/I		HP-2009 ¹
S-Type	3.0L V6 F/I - Non-US	33-2266	HP-2009
S-Type	3.0L V6 F/I - US	33-2273	HP-2009
S-Type	4.2L V8 F/I	33-2273	HP-1014
Vanden Plas	4.2L V8 F/I	33-2273	
XJ8	4.2L V8 F/I	33-2273	HP-1014
XJR	4.2L V8 F/I	33-2273	HP-1014
XK8-R	4.2L V8 F/I	33-2190	
XKR	4.2L V8 F/I	33-2190	
X-Type	2.0L V6 F/I	33-2264	
X-Type	2.5L V6 F/I	33-2264	HP-2009 ¹
X-Type	3.0L V6 F/I	33-2264	HP-2009 ¹
2003 JAGUAR			
S-Type	3.0L V6 F/I		HP-2009 ¹
S-Type	3.0L V6 F/I - Non-US	33-2266	HP-2009
S-Type	3.0L V6 F/I - US	33-2273	HP-2009
S-Type	4.2L V8 F/I	33-2273	HP-1014
XJ8	4.0L V8 F/I	33-2190	
XJR	4.0L V8 F/I - to 5/03	33-2190	
XK8	4.2L V8 F/I	33-2190	HP-1014
XK8-R	4.2L V8 F/I	33-2190	
XKR	4.2L V8 F/I	33-2190	HP-1014
X-Type	2.5L V6 F/I	33-2264	HP-2009 ¹
X-Type	3.0L V6 F/I	33-2264	HP-2009 ¹
2002 JAGUAR			
S-Type	3.0L V6 F/I	33-2266+	HP-2009 ¹
S-Type	4.0L V8 F/I	33-2266+	
XJ8	4.0L V8 F/I	33-2190	
XJR	4.0L V8 F/I	33-2190	
XK8	4.0L V8 F/I	33-2190	
XK8-R	4.2L V8 F/I	33-2190	
XKR	4.0L V8 F/I	33-2190	
X-Type	2.5L V6 F/I	33-2264	HP-2009 ¹
X-Type	3.0L V6 F/I	33-2264	HP-2009 ¹
2001 JAGUAR			
S-Type	3.0L V6 F/I	33-2266+	HP-2009 ¹
S-Type	4.0L V8 F/I	33-2266+	
XJ8	4.0L V8 F/I	33-2190	
XJR	4.0L V8 F/I	33-2190	
XK8	4.0L V8 F/I	33-2190	
XKR	4.0L V8 F/I	33-2190	
X-Type	3.0L V6 F/I	33-2264	
2000 JAGUAR			
S-Type	3.0L V6 F/I	33-2266+	HP-2009 ¹
S-Type	4.0L V8 F/I	33-2266+	
XJ8	4.0L V8 F/I	33-2190	
XJR	4.0L V8 F/I	33-2190	
XK8	4.0L V8 F/I	33-2190	
XKR	4.0L V8 F/I	33-2190	
1999 JAGUAR			
XJ8	4.0L V8 F/I	33-2190	

* 2 filters required ♦ Intake System Available - see page 81 +Cabin Air Filter Available - see page 453 1- Pro Series Filter Available

AIR & OIL FILTERS

JAGUAR

Vehicle	Engine Type	Air Filter	Oil Filter
1999 JAGUAR			
XJR	4.0L V8 F/I	33-2190	
XK8	4.0L V8 F/I	33-2190	
1998 JAGUAR			
XJ8	4.0L V8 F/I	33-2190	
XJR	4.0L V8 F/I	33-2190	
XK8	4.0L V8 F/I	33-2190	
1997 JAGUAR			
XJ6	4.0L L6 F/I	33-2003	
XK8	4.0L V8 F/I	33-2190	
1996 JAGUAR			
XJ6	4.0L L6 F/I	33-2003	
XJS	6.0L V12 F/I	33-2011	
1995 JAGUAR			
XJ6	4.0L L6 F/I	33-2003	
1994 JAGUAR			
XJS	6.0L V12 F/I	33-2011	
1992 JAGUAR			
XJS	5.3L V12 F/I	33-2011	
1991 JAGUAR			
XJS	5.3L V12 F/I	33-2011	
1990 JAGUAR			
XJS	5.3L V12 F/I	33-2011	
1989 JAGUAR			
XJS	5.3L V12 F/I	33-2011	
1988 JAGUAR			
XJS	5.3L V12 F/I	33-2011	
1987 JAGUAR			
XJ6	4.2L L6 F/I	E-2350	
1986 JAGUAR			
XJ6	4.2L L6 F/I	E-2350	
XJS	5.3L V12 F/I	33-2011	
1985 JAGUAR			
XJS	5.3L V12 F/I	33-2011	
1984 JAGUAR			
XJ6	4.2L L6 F/I	E-2350	
1970 JAGUAR			
XKE	258 L6 CARB	33-2011	
2016 JEEP			
Cherokee	2.0L L4 DSL	33-5009	
Cherokee	2.4L L4 F/I		HP-1017 ¹
Cherokee	3.2L V6 F/I	33-5009 ♦	
Compass	2.4L L4 F/I	E-1998 ♦+	HP-1017 ¹
Patriot	2.0L L4 F/I	E-1998 ♦+	
Patriot	2.4L L4 F/I	E-1998 ♦+	HP-1017 ¹
Renegade	1.4L L4 F/I	33-5034	
Renegade	2.4L L4 F/I		HP-1017 ¹
Wrangler	3.6L V6 F/I	33-2364 ♦	
2015 JEEP			
Cherokee	2.0L L4 DSL	33-5009	
Cherokee	2.4L L4 F/I	33-5009 ♦	HP-1017 ¹
Cherokee	3.2L V6 F/I	33-5009 ♦	PS-7026
Compass	2.0L L4 F/I	E-1998 ♦+	HP-1017 ¹
Compass	2.4L L4 F/I	E-1998 ♦+	HP-1017 ¹
Grand Cherokee	3.0L V6 DSL	33-3029 ♦	
Grand Cherokee	3.6L V6 F/I	33-2457 ♦	PS-7026
Grand Cherokee	5.7L V8 F/I	33-2457 ♦	HP-2010 ¹

Vehicle	Engine Type	Air Filter	Oil Filter
2015 JEEP			
Grand Cherokee	6.4L V8 F/I	33-2457 ♦	HP-2010 ¹
Patriot	2.0L L4 F/I	E-1998 ♦+	HP-1017 ¹
Patriot	2.4L L4 F/I	E-1998 ♦+	HP-1017 ¹
Renegade	1.4L L4 F/I	33-5034	
Renegade	1.6L L4 DSL	33-5034	
Renegade	1.6L L4 F/I	33-5034	
Renegade	2.4L L4 F/I	33-5034	
Wrangler	2.8L L4 DSL	33-5023+	
Wrangler	3.6L V6 F/I	33-2364 ♦+	PS-7026
2014 JEEP			
Cherokee	2.0L L4 DSL	33-5009	
Cherokee	2.4L L4 F/I	33-5009 ♦	HP-1017 ¹
Cherokee	3.2L V6 F/I	33-5009 ♦	PS-7026
Compass	2.0L L4 F/I	E-1998 ♦+	HP-1017 ¹
Compass	2.2L L4 DSL	E-1998	
Compass	2.4L L4 F/I	E-1998 ♦+	HP-1017 ¹
Grand Cherokee	3.0L V6 DSL	33-3029 ♦	
Grand Cherokee	3.6L V6 F/I	33-2457 ♦	PS-7026
Grand Cherokee	5.7L V8 F/I	33-2457 ♦	HP-2010 ¹
Grand Cherokee	6.4L V8 F/I	33-2457 ♦	HP-2010 ¹
Patriot	2.0L L4 F/I	E-1998 ♦+	HP-1017 ¹
Patriot	2.4L L4 F/I	E-1998 ♦+	HP-1017 ¹
Wrangler	2.8L L4 DSL	33-5023+	
Wrangler	3.6L V6 F/I	33-2364 ♦+	PS-7026
2013 JEEP			
Compass	2.0L L4 F/I	E-1998 ♦+	HP-1017 ¹
Compass	2.2L L4 DSL	E-1998	
Compass	2.4L L4 F/I	E-1998 ♦+	HP-1017 ¹
Grand Cherokee	3.0L V6 DSL	33-3029	
Grand Cherokee	3.6L V6 F/I	33-2457 ♦	PS-7025
Grand Cherokee	5.7L V8 F/I	33-2457 ♦	HP-2010 ¹
Grand Cherokee	6.4L V8 F/I	33-2457 ♦	HP-2010 ¹
Patriot	2.0L L4 F/I	E-1998 ♦+	HP-1017 ¹
Patriot	2.4L L4 F/I	E-1998 ♦+	HP-1017 ¹
Wrangler	2.8L L4 DSL	33-5023+	
Wrangler	3.6L V6 F/I	33-2364 ♦+	PS-7025
2012 JEEP			
Compass	2.0L L4 F/I	E-1998 ♦+	HP-1017 ¹
Compass	2.2L L4 DSL	E-1998	
Compass	2.4L L4 F/I	E-1998 ♦+	HP-1017 ¹
Grand Cherokee	3.0L V6 DSL	33-3029	
Grand Cherokee	3.6L V6 F/I	33-2457 ♦	PS-7025
Grand Cherokee	5.7L V8 F/I	33-2457 ♦	HP-2010 ¹
Grand Cherokee	6.4L V8 F/I	33-2457 ♦	HP-2010 ¹
Liberty	3.7L V6 F/I	33-2363 ♦	HP-2011 ¹
Patriot	2.0L L4 F/I	E-1998 ♦+	HP-1017 ¹
Patriot	2.4L L4 F/I	E-1998 ♦+	HP-1017 ¹
Wrangler	2.8L L4 DSL	33-5023+	
Wrangler	3.6L V6 F/I	33-2364 ♦+	PS-7025
Wrangler	3.8L V6 F/I	33-2364	
2011 JEEP			
Cherokee	3.7L V6 F/I	33-2363	
Compass	2.0L L4 F/I	E-1998 ♦+	HP-1017 ¹
Compass	2.2L L4 DSL	E-1998	
Compass	2.4L L4 F/I	E-1998 ♦+	HP-1017 ¹
Grand Cherokee	3.0L V6 DSL	33-3029	
Grand Cherokee	3.6L V6 F/I	33-2457 ♦	PS-7025
Grand Cherokee	5.7L V8 F/I	33-2457 ♦	HP-2010 ¹
Liberty	3.7L V6 F/I	33-2363 ♦	HP-2011 ¹
Patriot	2.0L L4 F/I	E-1998 ♦+	HP-1017 ¹
Patriot	2.1L L4 DSL	E-1998	
Patriot	2.4L L4 F/I	E-1998 ♦+	HP-1017 ¹

* 2 filters required ♦ Intake System Available - see page 81 +Cabin Air Filter Available - see page 453 1- Pro Series Filter Available

JEEP

AIR & OIL FILTERS

Vehicle	Engine Type	Air Filter	Oil Filter
2011 JEEP			
Wrangler	2.8L L4 DSL	33-5023+	
Wrangler	3.8L V6 F/I	33-2364 ♦♦	HP-1002 ¹
2010 JEEP			
Cherokee	3.7L V6 F/I	33-2363	HP-2011 ¹
Commander	3.7L V6 F/I	33-2233 ♦	HP-2011 ¹
Commander	5.7L V8 F/I	33-2233 ♦	HP-2010 ¹
Compass	2.0L L4 F/I	33-2362 ♦♦	HP-1017 ¹
Compass	2.2L L4 DSL	E-1998	
Compass	2.4L L4 F/I	33-2362 ♦♦	HP-1017 ¹
Grand Cherokee	3.7L V6 F/I	33-2233 ♦	HP-2011 ¹
Grand Cherokee	5.7L V8 F/I	33-2233 ♦	HP-2010 ¹
Grand Cherokee	6.1L V8 F/I	33-2233 ♦	HP-2010 ¹
Grand Cherokee III	3.0L V6 DSL	33-2420	
Liberty	3.7L V6 F/I	33-2363 ♦	HP-2011 ¹
Patriot	2.0L L4 F/I	33-2362 ♦♦	HP-1017 ¹
Patriot	2.1L L4 DSL	E-1998	
Patriot	2.4L L4 F/I	33-2362 ♦♦	HP-1017 ¹
Wrangler	2.8L L4 DSL	33-5023	
Wrangler	3.8L V6 F/I	33-2364 ♦	HP-1002 ¹
2009 JEEP			
Cherokee	3.7L V6 F/I	33-2363	
Commander	3.7L V6 F/I	33-2233 ♦	HP-2011 ¹
Commander	4.7L V8 F/I	33-2233 ♦	
Commander	5.7L V8 F/I	33-2233 ♦	HP-2010 ¹
Compass	2.4L L4 F/I	33-2362 ♦♦	HP-1017 ¹
Grand Cherokee	3.0L V6 DSL	33-2420	
Grand Cherokee	3.7L V6 F/I	33-2233 ♦	HP-2011 ¹
Grand Cherokee	4.7L V8 F/I	33-2233 ♦	HP-2010 ¹
Grand Cherokee	5.7L V8 F/I	33-2233 ♦	HP-2010 ¹
Grand Cherokee	6.1L V8 F/I	33-2233 ♦	HP-2010 ¹
Liberty	3.7L V6 F/I	33-2363 ♦	HP-2011 ¹
Patriot	2.0L L4 DSL	33-2362	
Patriot	2.0L L4 F/I	33-2362 ♦♦	HP-1017 ¹
Patriot	2.4L L4 F/I	33-2362 ♦♦	HP-1017 ¹
Wrangler	2.8L L4 DSL	33-5023	
Wrangler	3.8L V6 F/I	33-2364 ♦	HP-1002 ¹
2008 JEEP			
Cherokee	3.7L V6 F/I	33-2363	
Commander	3.0L V6 DSL	33-2420	
Commander	3.7L V6 F/I	33-2233 ♦	HP-2009 ¹
Commander	4.7L V8 F/I	33-2233 ♦	HP-2010 ¹
Commander	5.7L V8 F/I	33-2233 ♦	HP-2010 ¹
Compass	2.0L L4 DSL	33-2362	
Compass	2.0L L4 F/I	33-2362 ♦♦	
Compass	2.4L L4 F/I	33-2362 ♦♦	HP-1017 ¹
Grand Cherokee	3.0L V6 DSL	33-2420	PS-7028
Grand Cherokee	3.7L V6 F/I	33-2233 ♦	HP-2009 ¹
Grand Cherokee	4.7L V8 F/I	33-2233 ♦	HP-2010 ¹
Grand Cherokee	5.7L V8 F/I	33-2233 ♦	HP-2010 ¹
Grand Cherokee	6.1L V8 F/I	33-2233 ♦	
Grand Cherokee	6.1L V8 F/I - 22mm Thread	33-2233	HP-2010 ¹
Grand Cherokee	6.1L V8 F/I - 3/4 thread	33-2233	HP-2004 ¹
Grand Cherokee III	3.7L V6 F/I	33-2233	HP-2009 ¹
Grand Cherokee III	4.7L V8 F/I	33-2233	HP-2010 ¹
Grand Cherokee III	5.7L V8 F/I	33-2233	HP-2010 ¹
Grand Cherokee III	6.1L V8 F/I	33-2233	
Grand Cherokee III	6.1L V8 F/I - 22mm Thread	33-2233	HP-2010 ¹
Grand Cherokee III	6.1L V8 F/I - 3/4 thread	33-2233	HP-2004 ¹
Liberty	3.7L V6 F/I	33-2363 ♦	HP-2009 ¹
Patriot	2.0L L4 DSL	33-2362	
Patriot	2.0L L4 F/I	33-2362 ♦♦	HP-1017 ¹

Vehicle	Engine Type	Air Filter	Oil Filter
2008 JEEP			
Patriot	2.4L L4 F/I	33-2362 ♦♦	HP-1017 ¹
Wrangler	2.8L L4 DSL	33-5023	
Wrangler	3.8L V6 F/I	33-2364 ♦	HP-1002 ¹
Wrangler II	3.8L V6 F/I	33-2364	HP-1002 ¹
2007 JEEP			
Commander	3.0L V6 DSL	33-2420	
Commander	3.7L V6 F/I	33-2233 ♦	HP-2009 ¹
Commander	4.7L V8 F/I	33-2233 ♦	HP-2004 ¹
Commander	5.7L V8 F/I	33-2233 ♦	HP-2004 ¹
Compass	2.0L L4 DSL	33-2362	
Compass	2.0L L4 F/I	33-2362 ♦♦	HP-1017 ¹
Compass	2.4L L4 F/I	33-2362 ♦♦	HP-1017 ¹
Grand Cherokee	3.0L V6 DSL	33-2233	PS-7028
Grand Cherokee	3.7L V6 F/I	33-2233 ♦	HP-2009 ¹
Grand Cherokee	4.7L V8 F/I	33-2233 ♦	HP-2004 ¹
Grand Cherokee	5.7L V8 F/I	33-2233 ♦	HP-2004 ¹
Grand Cherokee	6.1L V8 F/I	33-2233 ♦	HP-2004 ¹
Grand Cherokee III	3.0L V6 DSL	33-2233	
Grand Cherokee III	3.7L V6 F/I	33-2233	HP-2009 ¹
Grand Cherokee III	4.7L V8 F/I	33-2233	HP-2004 ¹
Grand Cherokee III	5.7L V8 F/I	33-2233 ♦	HP-2004 ¹
Grand Cherokee III	6.1L V8 F/I	33-2233	HP-2004 ¹
Liberty	2.8L L4 DSL	33-2233	
Liberty	3.7L V6 F/I	33-2233 ♦	HP-2009 ¹
Patriot	2.0L L4 DSL	33-2362	
Patriot	2.0L L4 F/I	33-2362+	HP-1017 ¹
Patriot	2.4L L4 F/I	33-2362 ♦♦	HP-1017 ¹
Wrangler	2.8L L4 DSL	33-5023	
Wrangler	3.8L V6 F/I	33-2364 ♦	HP-1002 ¹
Wrangler II	3.8L V6 F/I	33-2364	HP-1002 ¹
2006 JEEP			
Commander	3.0L V6 DSL	33-2420	
Commander	3.7L V6 F/I	33-2233 ♦	HP-2009 ¹
Commander	4.7L V8 F/I	33-2233 ♦	HP-2004 ¹
Commander	5.7L V8 F/I	33-2233 ♦	HP-2004 ¹
Grand Cherokee	3.7L V6 F/I	33-2233 ♦	HP-2009 ¹
Grand Cherokee	4.7L V8 F/I	33-2233 ♦	HP-2004 ¹
Grand Cherokee	5.7L V8 F/I	33-2233 ♦	HP-2004 ¹
Grand Cherokee	6.1L V8 F/I	33-2233 ♦	HP-2004 ¹
Grand Cherokee III	3.0L V6 DSL	33-2233	
Grand Cherokee III	3.7L V6 F/I	33-2233	HP-2009 ¹
Grand Cherokee III	4.7L V8 F/I	33-2233	HP-2004 ¹
Grand Cherokee III	5.7L V8 F/I	33-2233 ♦	HP-2004 ¹
Grand Cherokee III	6.1L V8 F/I	33-2233	HP-2004 ¹
Liberty	2.8L L4 DSL	33-2233	HP-2009 ¹
Liberty	3.7L V6 F/I	33-2233 ♦	HP-2009 ¹
TJ	2.4L L4 F/I	33-2261	HP-1002 ¹
TJ	4.0L L6 F/I	33-2114 ♦	HP-2004 ¹
Wrangler	2.4L L4 F/I	33-2261	HP-1002 ¹
Wrangler	4.0L L6 F/I	33-2114 ♦	HP-2004 ¹
Wrangler II	2.4L L4 F/I	33-2261	HP-1002 ¹
Wrangler II	4.0L L6 F/I	33-2114	HP-2004 ¹
2005 JEEP			
Cherokee	2.5L L4 DSL	33-2233	
Grand Cherokee	3.7L V6 F/I	33-2233 ♦	HP-2009 ¹
Grand Cherokee	4.7L V8 F/I	33-2233 ♦	HP-2004 ¹
Grand Cherokee	5.7L V8 F/I	33-2233 ♦	HP-2004 ¹
Grand Cherokee II	2.7L L5 DSL	33-2139	
Grand Cherokee III	3.0L V6 DSL	33-2233	
Grand Cherokee III	3.7L V6 F/I	33-2233	HP-2009 ¹
Grand Cherokee III	4.7L V8 F/I	33-2233	HP-2004 ¹
Grand Cherokee III	5.7L V8 F/I	33-2233 ♦	HP-2004 ¹
Liberty	2.4L L4 F/I	33-2261	HP-1002 ¹

* 2 filters required ♦ Intake System Available - see page 81 +Cabin Air Filter Available - see page 453 1- Pro Series Filter Available

AIR & OIL FILTERS

JEEP

Vehicle	Engine Type	Air Filter	Oil Filter
2005 JEEP			
Liberty	2.8L L4 DSL	33-2233	HP-2009 ¹
Liberty	3.7L V6 F/I	33-2233 ♦	HP-2009 ¹
TJ	2.4L L4 F/I	33-2261	HP-1002 ¹
TJ	4.0L L6 F/I	33-2114 ♦	HP-2004 ¹
Wrangler	2.4L L4 F/I	33-2261	HP-1002 ¹
Wrangler	4.0L L6 F/I	33-2114 ♦	HP-2004 ¹
Wrangler II	2.4L L4 F/I	33-2261	HP-1002 ¹
Wrangler II	4.0L L6 F/I	33-2114	HP-2004 ¹

Vehicle	Engine Type	Air Filter	Oil Filter
2004 JEEP			
Cherokee	3.7L V6 F/I	33-2233	
Grand Cherokee	4.0L L6 F/I	33-2139 ♦	HP-2004 ¹
Grand Cherokee	4.7L V8 F/I		HP-2004 ¹
Grand Cherokee	4.7L V8 F/I - High Output	33-2246 ♦	HP-2004
Grand Cherokee	4.7L V8 F/I - w/o High Output	33-2139 ♦	HP-2004
Grand Cherokee II	2.7L L5 DSL	33-2139	
Grand Cherokee II	4.0L L6 F/I	33-2139	HP-2004 ¹
Grand Cherokee II	4.7L V8 F/I		HP-2004 ¹
Grand Cherokee II	4.7L V8 F/I - Exc., High Output	33-2139	HP-2004
Grand Cherokee II	4.7L V8 F/I - High Output	33-2246	HP-2004
Liberty	2.8L L4 DSL	33-2233	
Liberty	3.7L V6 F/I	33-2233 ♦	HP-2009 ¹
TJ	2.4L L4 F/I	33-2261	HP-1002 ¹
TJ	4.0L L6 F/I	33-2114 ♦	HP-2004 ¹
Wrangler	2.4L L4 F/I	33-2261	HP-1002 ¹
Wrangler	4.0L L6 F/I	33-2114 ♦	HP-2004 ¹
Wrangler II	2.4L L4 F/I	33-2261	HP-1002 ¹
Wrangler II	4.0L L6 F/I	33-2114	HP-2004 ¹

Vehicle	Engine Type	Air Filter	Oil Filter
2003 JEEP			
Grand Cherokee	4.0L L6 F/I	33-2139 ♦	HP-2004 ¹
Grand Cherokee	4.7L V8 F/I		HP-2004 ¹
Grand Cherokee	4.7L V8 F/I - High Output	33-2246 ♦	HP-2004
Grand Cherokee	4.7L V8 F/I - w/o High Output	33-2139 ♦	HP-2004
Grand Cherokee II	4.0L L6 F/I	33-2139	HP-2004 ¹
Grand Cherokee II	4.7L V8 F/I		HP-2004 ¹
Grand Cherokee II	4.7L V8 F/I - Exc., High Output	33-2139	HP-2004
Grand Cherokee II	4.7L V8 F/I - High Output	33-2246	HP-2004
Liberty	2.4L L4 F/I	33-2261	HP-1002 ¹
Liberty	2.8L L4 DSL	33-2233	
Liberty	3.7L V6 F/I	33-2233 ♦	HP-2009 ¹
TJ	2.4L L4 F/I	33-2261	HP-1002 ¹
TJ	4.0L L6 F/I	33-2114 ♦	HP-2004 ¹
Wrangler	2.4L L4 F/I	33-2261	HP-1002 ¹
Wrangler	4.0L L6 F/I	33-2114 ♦	HP-2004 ¹
Wrangler II	2.4L L4 F/I	33-2261	HP-1002 ¹
Wrangler II	4.0L L6 F/I	33-2114	HP-2004 ¹

Vehicle	Engine Type	Air Filter	Oil Filter
2002 JEEP			
Grand Cherokee	4.0L L6 F/I	33-2139 ♦	HP-2004 ¹
Grand Cherokee	4.7L V8 F/I		HP-2004 ¹
Grand Cherokee	4.7L V8 F/I - High Output	33-2246 ♦	HP-2004
Grand Cherokee	4.7L V8 F/I - w/o High Output	33-2139 ♦	HP-2004
Grand Cherokee II	4.0L L6 F/I	33-2139	HP-2004 ¹
Grand Cherokee II	4.7L V8 F/I		HP-2004 ¹
Grand Cherokee II	4.7L V8 F/I - Exc., High Output	33-2139	HP-2004
Grand Cherokee II	4.7L V8 F/I - High Output	33-2246	HP-2004
Liberty	2.4L L4 F/I	33-2261	HP-1002 ¹

Vehicle	Engine Type	Air Filter	Oil Filter
2002 JEEP			
Liberty	3.7L V6 F/I	33-2233 ♦	HP-2009 ¹
TJ	2.5L L4 F/I	33-2114	HP-2004 ¹
TJ	4.0L L6 F/I	33-2114 ♦	HP-2004 ¹
Wrangler	2.5L L4 F/I	33-2114	HP-2004 ¹
Wrangler	4.0L L6 F/I	33-2114 ♦	HP-2004 ¹
Wrangler II	2.4L L4 F/I	33-2261	HP-1002 ¹
Wrangler II	2.5L L4 F/I	33-2114	HP-2004 ¹
Wrangler II	4.0L L6 F/I	33-2114	HP-2004 ¹

Vehicle	Engine Type	Air Filter	Oil Filter
2001 JEEP			
Cherokee	4.0L L6 F/I	33-2122 ♦	HP-2004 ¹
Grand Cherokee	4.0L L6 F/I	33-2139 ♦	HP-2004 ¹
Grand Cherokee	4.7L V8 F/I	33-2139 ♦	HP-2004 ¹
Grand Cherokee II	4.0L L6 F/I	33-2139	HP-2004 ¹
Grand Cherokee II	4.7L V8 F/I		HP-2004 ¹
Grand Cherokee II	4.7L V8 F/I - Exc., High Output	33-2139	HP-2004
Grand Cherokee II	4.7L V8 F/I - High Output	33-2246	HP-2004
Liberty	3.7L V6 F/I	33-2233	
TJ	2.5L L4 F/I	33-2114	HP-2004 ¹
TJ	4.0L L6 F/I	33-2114 ♦	HP-2004 ¹
Wrangler	2.5L L4 F/I	33-2114	HP-2004 ¹
Wrangler	4.0L L6 F/I	33-2114 ♦	HP-2004 ¹
Wrangler II	2.5L L4 F/I	33-2114	HP-2004 ¹
Wrangler II	4.0L L6 F/I	33-2114	HP-2004 ¹

Vehicle	Engine Type	Air Filter	Oil Filter
2000 JEEP			
Cherokee	2.5L L4 F/I		HP-2004 ¹
Cherokee	2.5L L4 F/I - Non-US	33-2018	HP-2004
Cherokee	2.5L L4 F/I - US	33-2122	HP-2004
Cherokee	4.0L L6 F/I	33-2122 ♦	HP-2004 ¹
Grand Cherokee	4.0L L6 F/I	33-2139 ♦	HP-2004 ¹
Grand Cherokee	4.7L V8 F/I	33-2139 ♦	HP-2004 ¹
Grand Cherokee II	4.0L L6 F/I	33-2139	HP-2004 ¹
Grand Cherokee II	4.7L V8 F/I		HP-2004 ¹
Grand Cherokee II	4.7L V8 F/I - Exc., High Output	33-2139	HP-2004
Grand Cherokee II	4.7L V8 F/I - High Output	33-2246	HP-2004
TJ	2.5L L4 F/I	33-2114	HP-2004 ¹
TJ	4.0L L6 F/I	33-2114 ♦	HP-2004 ¹
Wrangler	2.5L L4 F/I	33-2114	HP-2004 ¹
Wrangler	4.0L L6 F/I	33-2114 ♦	HP-2004 ¹
Wrangler II	2.5L L4 F/I	33-2114	HP-2004 ¹
Wrangler II	4.0L L6 F/I	33-2114	HP-2004 ¹

Vehicle	Engine Type	Air Filter	Oil Filter
1999 JEEP			
Cherokee	2.5L L4 F/I		HP-2004 ¹
Cherokee	2.5L L4 F/I - Non-US	33-2018	HP-2004
Cherokee	2.5L L4 F/I - US	33-2122	HP-2004
Cherokee	4.0L L6 F/I	33-2122 ♦	HP-2004 ¹
Grand Cherokee	4.0L L6 F/I	33-2139 ♦	HP-2004 ¹
Grand Cherokee	4.7L V8 F/I	33-2139 ♦	HP-2004 ¹
Grand Cherokee I	4.0L L6 F/I		HP-2004 ¹
Grand Cherokee I	4.0L L6 F/I - to 4/99	33-2048	HP-2004
Grand Cherokee I	5.2L V8 F/I	33-2048	
Grand Cherokee I	5.9L V8 F/I	33-2048	
Grand Cherokee II	4.0L L6 F/I		HP-2004 ¹
Grand Cherokee II	4.0L L6 F/I - from 5/99	33-2139	HP-2004
Grand Cherokee II	4.7L V8 F/I		HP-2004 ¹
Grand Cherokee II	4.7L V8 F/I - Exc., High Output	33-2139	HP-2004
Grand Cherokee II	4.7L V8 F/I - High Output	33-2246	HP-2004
TJ	2.5L L4 F/I	33-2114	HP-2004 ¹
TJ	4.0L L6 F/I	33-2114 ♦	HP-2004 ¹
Wrangler	2.5L L4 F/I	33-2114	HP-2004 ¹

* 2 filters required ♦ Intake System Available - see page 81 +Cabin Air Filter Available - see page 453 1- Pro Series Filter Available

JEEP

AIR & OIL FILTERS

Vehicle	Engine Type	Air Filter	Oil Filter
---------	-------------	------------	------------

1999 JEEP

Wrangler	4.0L L6 F/I	33-2114 ♦	HP-2004 ¹
Wrangler II	2.5L L4 F/I	33-2114	HP-2004 ¹
Wrangler II	4.0L L6 F/I	33-2114	HP-2004 ¹

1998 JEEP

Cherokee	2.5L L4 F/I		HP-2004 ¹
Cherokee	2.5L L4 F/I - Non-US	33-2018	HP-2004
Cherokee	2.5L L4 F/I - US	33-2122	HP-2004
Cherokee	4.0L L6 F/I	33-2122 ♦	HP-2004 ¹
Grand Cherokee	4.0L L6 F/I	33-2048 ♦	HP-2004 ¹
Grand Cherokee	5.2L V8 F/I	33-2048 ♦	HP-2004 ¹
Grand Cherokee	5.9L V8 F/I	33-2048 ♦	HP-2004 ¹
Grand Cherokee I	4.0L L6 F/I	33-2048	HP-2004 ¹
Grand Cherokee I	5.2L V8 F/I	33-2048	HP-2004 ¹
Grand Cherokee I	5.9L V8 F/I	33-2048	HP-2004 ¹
TJ	2.5L L4 F/I	33-2114	HP-2004 ¹
TJ	4.0L L6 F/I	33-2114 ♦	HP-2004 ¹
Wrangler	2.5L L4 F/I	33-2114	HP-2004 ¹
Wrangler	4.0L L6 F/I	33-2114 ♦	HP-2004 ¹
Wrangler II	2.5L L4 F/I	33-2114	HP-2004 ¹
Wrangler II	4.0L L6 F/I	33-2114	HP-2004 ¹

1997 JEEP

Cherokee	2.5L L4 F/I		HP-2004 ¹
Cherokee	2.5L L4 F/I - Non-US	33-2018	HP-2004
Cherokee	2.5L L4 F/I - US	33-2122	HP-2004
Cherokee	4.0L L6 F/I	33-2122 ♦	HP-2004 ¹
Grand Cherokee	4.0L L6 F/I	33-2048 ♦	HP-2004 ¹
Grand Cherokee	5.2L V8 F/I	33-2048 ♦	HP-2004 ¹
Grand Cherokee I	4.0L L6 F/I	33-2048	HP-2004 ¹
Grand Cherokee I	5.2L V8 F/I	33-2048	HP-2004 ¹
Grand Cherokee I	5.9L V8 F/I	33-2048	HP-2004 ¹
TJ	2.5L L4 F/I		HP-2004 ¹
TJ	2.5L L4 F/I - OEM 4797777	33-2114	HP-2004
TJ	2.5L L4 F/I - OEM 53002184	33-2046	HP-2004
TJ	4.0L L6 F/I		HP-2004 ¹
TJ	4.0L L6 F/I - OEM 4797777	33-2114 ♦	HP-2004
TJ	4.0L L6 F/I - OEM 53002184	33-2046 ♦	HP-2004
Wrangler	2.5L L4 F/I		HP-2004 ¹
Wrangler	2.5L L4 F/I - OEM 4797777	33-2114	HP-2004
Wrangler	2.5L L4 F/I - OEM 53002184	33-2046	HP-2004
Wrangler	4.0L L6 F/I		HP-2004 ¹
Wrangler	4.0L L6 F/I - OEM 4797777	33-2114 ♦	HP-2004
Wrangler	4.0L L6 F/I - OEM 53002184	33-2046 ♦	HP-2004
Wrangler II	2.5L L4 F/I	33-2114	HP-2004 ¹
Wrangler II	4.0L L6 F/I	33-2114	HP-2004 ¹

1996 JEEP

Cherokee	2.5L L4 F/I		HP-2004 ¹
Cherokee	2.5L L4 F/I - Non-US	33-2018	HP-2004
Cherokee	2.5L L4 F/I - US	33-2122	HP-2004
Cherokee	4.0L L6 F/I	33-2122 ♦	HP-2004 ¹
Grand Cherokee	4.0L L6 F/I	33-2048 ♦	HP-2004 ¹
Grand Cherokee	5.2L V8 F/I	33-2048 ♦	HP-2004 ¹
Grand Cherokee I	4.0L L6 F/I	33-2048	HP-2004 ¹
Grand Cherokee I	5.2L V8 F/I	33-2048	HP-2004 ¹
Wrangler I	4.0L L6 F/I	33-2046	HP-2004 ¹
Wrangler II	2.5L L4 F/I		HP-2004 ¹
Wrangler II	2.5L L4 F/I - from 9/96	33-2114	HP-2004
Wrangler II	4.0L L6 F/I	33-2114	HP-2004 ¹

Vehicle	Engine Type	Air Filter	Oil Filter
---------	-------------	------------	------------

1995 JEEP

Cherokee	2.5L L4 F/I	33-2018	HP-2004 ¹
Cherokee	4.0L L6 F/I	33-2018 ♦	HP-2004 ¹
Grand Cherokee	4.0L L6 F/I	33-2048 ♦	HP-2004 ¹
Grand Cherokee	5.2L V8 F/I	33-2048 ♦	HP-2004 ¹
Grand Cherokee I	4.0L L6 F/I	33-2048	HP-2004 ¹
Grand Cherokee I	5.2L V8 F/I	33-2048	HP-2004 ¹
Wrangler	2.5L L4 F/I	33-2046	HP-2004 ¹
Wrangler	4.0L L6 F/I	33-2046	HP-2004 ¹
Wrangler I	2.5L L4 F/I	33-2046	HP-2004 ¹
Wrangler I	4.0L L6 F/I	33-2046	HP-2004 ¹

1994 JEEP

Cherokee	4.0L L6 F/I	33-2018 ♦	HP-2004 ¹
Grand Cherokee	4.0L L6 F/I	33-2048 ♦	HP-2004 ¹
Grand Cherokee	5.2L V8 F/I	33-2048 ♦	HP-2004 ¹
Grand Cherokee I	4.0L L6 F/I	33-2048	HP-2004 ¹
Grand Cherokee I	5.2L V8 F/I	33-2048	HP-2004 ¹
Wrangler	2.5L L4 F/I	33-2046	HP-2004 ¹
Wrangler	4.0L L6 F/I	33-2046	HP-2004 ¹
Wrangler I	2.5L L4 F/I	33-2046	HP-2004 ¹
Wrangler I	4.0L L6 F/I	33-2046	HP-2004 ¹

1993 JEEP

Cherokee	4.0L L6 F/I	33-2018 ♦	HP-2004 ¹
Grand Cherokee	4.0L L6 F/I	33-2048 ♦	HP-2004 ¹
Grand Cherokee	5.2L V8 F/I	33-2048 ♦	HP-2004 ¹
Grand Cherokee I	4.0L L6 F/I	33-2048	HP-2004 ¹
Grand Cherokee I	5.2L V8 F/I	33-2048	HP-2004 ¹
Wrangler	2.5L L4 F/I	33-2046	HP-2004 ¹
Wrangler	2.5L L4 F/I - 3/4 thread	33-2046	HP-2004 ¹
Wrangler	2.5L L4 F/I - w/20mm Thd.	33-2046	HP-2007 ¹
Wrangler	4.0L L6 F/I	33-2046	HP-2004 ¹
Wrangler I	2.5L L4 F/I	33-2046	HP-2004 ¹
Wrangler I	2.5L L4 F/I - 3/4 thread	33-2046	HP-2004 ¹
Wrangler I	2.5L L4 F/I - w/20mm Thd.	33-2046	HP-2007 ¹
Wrangler I	4.0L L6 F/I	33-2046	HP-2004 ¹

1992 JEEP

Cherokee	4.0L L6 F/I	33-2018 ♦	HP-2004 ¹
Comanche	4.0L L6 F/I	33-2018	HP-2004 ¹
Wrangler	2.5L L4 F/I	33-2046	HP-2004 ¹
Wrangler	4.0L L6 F/I	33-2046 ♦	HP-2004 ¹
Wrangler I	2.5L L4 F/I	33-2046	HP-2004 ¹
Wrangler I	4.0L L6 F/I	33-2046	HP-2004 ¹

1991 JEEP

Cherokee	4.0L L6 F/I	33-2018 ♦	HP-2004 ¹
Comanche	4.0L L6 F/I	33-2018	HP-2004 ¹
Grand Wagoneer	5.9L V8 CARB		HP-2004 ¹
Wrangler	2.5L L4 F/I	33-2046	HP-2004 ¹
Wrangler	4.0L L6 F/I	33-2046 ♦	HP-2004 ¹
Wrangler I	2.5L L4 F/I	33-2046	HP-2004 ¹
Wrangler I	4.0L L6 F/I	33-2046	HP-2004 ¹

1990 JEEP

Cherokee	4.0L L6 F/I	33-2018	HP-2007
Comanche	4.0L L6 F/I	33-2018	HP-2007
Wrangler	2.5L L4 F/I	33-2046	HP-2007
Wrangler	4.2L L6 CARB	E-1080	HP-2007
Wrangler I	2.5L L4 F/I	33-2046	HP-2007
Wrangler I	4.2L L6 CARB	E-1080	HP-2007
Wrangler I	4.2L L6 F/I	33-2046	HP-2007

* 2 filters required ♦ Intake System Available - see page 81 +Cabin Air Filter Available - see page 453 1- Pro Series Filter Available

AIR & OIL FILTERS

JEEP

Vehicle	Engine Type	Air Filter	Oil Filter
1989 JEEP			
Cherokee	4.0L L6 F/I	33-2018	HP-2007
Comanche	4.0L L6 F/I	33-2018	HP-2007
Grand Wagoneer	5.9L V8 CARB	E-1100	HP-2007
Wrangler	2.5L L4 F/I	33-2046	HP-2007
Wrangler	4.2L L6 CARB	E-1080	HP-2007
Wrangler I	2.5L L4 F/I	33-2046	HP-2007
Wrangler I	4.2L L6 CARB	E-1080	HP-2007
Wrangler I	4.2L L6 F/I	33-2046	

1988 JEEP			
Cherokee	4.0L L6 F/I	33-2018	HP-2007
Comanche	4.0L L6 F/I	33-2018	HP-2007
Grand Wagoneer	5.9L V8 CARB	E-1100	HP-2007
Wrangler	2.5L L4 F/I	33-2046	HP-2007
Wrangler	4.2L L6 CARB	E-1080	HP-2007
Wrangler I	2.5L L4 F/I	33-2046	HP-2007
Wrangler I	4.2L L6 CARB	E-1080	HP-2007
Wrangler I	4.2L L6 F/I	33-2046	

1987 JEEP			
Cherokee	2.5L L4 F/I	33-2018	
Cherokee	4.0L L6 F/I	33-2018	HP-2007
Comanche	4.0L L6 F/I	33-2018	HP-2007
Wrangler	2.5L L4 F/I	33-2046	HP-2007
Wrangler	4.2L L6 CARB	E-1080	HP-2007
Wrangler I	2.5L L4 F/I	33-2046	HP-2007
Wrangler I	4.2L L6 CARB	E-1080	HP-2007
Wrangler I	4.2L L6 F/I	33-2046	

1986 JEEP			
Cherokee	2.5L L4 F/I	33-2046	HP-1001 ¹
Cherokee	2.8L V6 CARB	E-1080	HP-1001 ¹
CJ7	4.2L L6 CARB	E-1080	HP-1007 ¹
Grand Wagoneer	5.9L V8 CARB	E-1100	HP-1007 ¹

1985 JEEP			
CJ7	4.2L L6 CARB	E-1080	HP-1007 ¹

1984 JEEP			
CJ7	4.2L L6 CARB	E-1080	HP-1007 ¹

1983 JEEP			
CJ5	4.2L L6 CARB		HP-1007 ¹
CJ7	4.2L L6 CARB	E-1080	HP-1007 ¹

1982 JEEP			
CJ7	4.2L L6 CARB	E-1080	HP-2003 ¹

1981 JEEP			
CJ5	4.2L L6 CARB		HP-2003 ¹
CJ5	5.0L V8 CARB		HP-2003 ¹
CJ7	4.2L L6 CARB	E-1080	HP-2003 ¹
CJ7	5.0L V8 CARB	E-1080	HP-2003 ¹

1980 JEEP			
CJ5	2.5L L4 CARB	E-1080	HP-1001 ¹
CJ5	4.2L L6 CARB	E-1080	HP-2003 ¹
CJ5	5.0L V8 CARB		HP-2003 ¹
CJ7	258 L6 CARB	E-1080	HP-2003 ¹
CJ7	5.0L V8 CARB	E-1100	HP-2003 ¹

1979 JEEP			
CJ5	258 L6 CARB	E-1080	HP-2003 ¹
CJ5	304 V8 CARB	E-1100	HP-2003 ¹
CJ7	258 L6 CARB	E-1080	HP-2003 ¹
CJ7	304 V8 CARB	E-1100	HP-2003 ¹

1978 JEEP			
CJ5	258 L6 CARB	E-1080	HP-2003 ¹
CJ5	304 V8 CARB	E-1100	HP-2003 ¹

Vehicle	Engine Type	Air Filter	Oil Filter
1978 JEEP			
CJ7	258 L6 CARB		HP-2003 ¹
CJ7	304 V8 CARB	E-1100	HP-2003 ¹

1977 JEEP			
CJ5	258 L6 CARB		HP-2003 ¹
CJ5	304 V8 CARB	E-1100	HP-2003 ¹
CJ7	258 L6 CARB		HP-2003 ¹
CJ7	304 V8 CARB	E-1100	HP-2003 ¹

1976 JEEP			
CJ5	304 V8 CARB		HP-2003 ¹
CJ7	258 L6 CARB		HP-2003 ¹
CJ7	304 V8 CARB	E-1100	HP-2003 ¹

1975 JEEP			
CJ5	258 L6 CARB	E-1080	HP-2003 ¹
CJ5	304 V8 CARB	E-1100	HP-2003 ¹

1974 JEEP			
CJ5	258 L6 CARB		HP-2003 ¹
CJ5	304 V8 CARB	E-1100	HP-2003 ¹

1973 JEEP			
CJ5	232 L6 CARB		HP-2003 ¹
CJ5	304 V8 CARB	E-1100	HP-2003 ¹

1971 JEEP			
CJ5	225 V6 CARB		HP-2003 ¹

1970 JEEP			
CJ5	225 V6 CARB		HP-2003 ¹

1969 JEEP			
CJ5	225 V6 CARB		HP-2003 ¹

1968 JEEP			
CJ5	225 V6 CARB		HP-2003 ¹

1967 JEEP			
CJ5	225 V6 1 BBL.		HP-2003 ¹
CJ5	225 V6 2 BBL.		HP-2003 ¹

2013 JOHN DEERE			
Gator XUV 625i 4x4	617		E-4552
Gator XUV 825i 4x4	812		E-4552
Gator XUV 825i 4x4	812		E-4552
PS			
Gator XUV 825i 4x4	812		E-4552
S4			
Gator XUV 855D 4x4	854		E-4552
Diesel			
Gator XUV 855D 4x4	854		E-4552
Diesel PS			
Gator XUV 855D 4x4	854		E-4552
Diesel S4			

2012 JOHN DEERE			
Gator XUV 550	570		E-4552
Gator XUV 550 S4	570		E-4552
Gator XUV 625i 4x4	617		E-4552
Gator XUV 825i 4x4	812		E-4552
Gator XUV 855D 4x4	854		E-4552
Diesel			

2011 JOHN DEERE			
Gator XUV 625i 4x4	617		E-4552
Gator XUV 825i 4x4	812		E-4552
Gator XUV 855D 4x4	854		E-4552
Diesel			

2010 JOHN DEERE			
Gator XUV 620i 4x4	617		E-4552

* 2 filters required ♦ Intake System Available - see page 81 +Cabin Air Filter Available - see page 453 1- Pro Series Filter Available

Partial Listing - Complete List of Vehicles and Applications at knfilters.com

JOHN DEERE

AIR & OIL FILTERS

Vehicle	Engine Type	Air Filter	Oil Filter	Vehicle	Engine Type	Air Filter	Oil Filter
2010 JOHN DEERE				2015 KAWASAKI			
Gator XUV 850D 4x4 Diesel	854	E-4552		KRF800 Teryx	783	KA-7512	
2009 JOHN DEERE				KRF800 Teryx Camo	783	KA-7512	
Gator XUV 620i 4x4 Diesel	617	E-4552		KRF800 Teryx LE	783	KA-7512	
2008 JOHN DEERE				KRT800 Teryx4	783	KA-7512	
Gator XUV 620i 4x4 Diesel	617	E-4552		KRT800 Teryx4 Camo	783	KA-7512	
Gator XUV 850D 4x4 Diesel	854	E-4552		KRT800 Teryx4 LE	783	KA-7512	
2007 JOHN DEERE				KVF750 Brute Force 4x4i	749	KA-7408	KN-204
Gator XUV 620i 4x4 Diesel	617	E-4552		KVF750 Brute Force 4x4i EPS	749	KA-7408	KN-204
Gator XUV 850D 4x4 Diesel	854	E-4552		KX65	65	KA-8088	
2005 JOHN DEERE				KX250F	249	KA-2506XD	KN-207
Buck EXT	500	BD-6502	KN-557	KX450F	449	KA-2506XD	KN-112
Trail Buck 500	500	BD-6502	KN-557	Versys 1000	1043	KA-1111	
Trail Buck 650	650	BD-6502	KN-556	VN900 Vulcan Classic	903	KA-9006	KN-303
Trail Buck 650 EX	650	BD-6502	KN-556	VN900 Vulcan Classic LT	903	KA-9006	KN-303
Trail Buck 650 EXT	650	BD-6502	KN-556	VN900 Vulcan Custom	903	KA-9006	KN-303
1989 JOHN DEERE				VN1700 Vulcan Vaquero	1700	KA-1709	KN-303
420 Tractor	771	E-4425		VN1700 Vulcan Voyager	1700	KA-1709	KN-303
1987 JOHN DEERE				Z1000	1000	KA-1111	KN-303
420 Tractor	771	E-4425		ZG1400 Concours ABS	1400		KN-303
1986 JOHN DEERE				ZX6R Ninja	636	KA-6009	KN-303
420 Tractor	771	E-4425		ZX6R Ninja	636 - Race Specific	KA-6009R	KN-303
2016 KAWASAKI				ZX636 Ninja ZX-6R	636		KN-303
EX300 Ninja	296	KA-2508		ZX636 Ninja ZX-6R ABS	636		KN-303
KRF800 Teryx	783	KA-7512		ZX1000 Ninja 1000 ABS	998	KA-1111	KN-303
KRF800 Teryx Camo	783	KA-7512		ZX1000 Ninja H2	998	KA-9915	KN-303
KRF800 Teryx LE	783	KA-7512		ZX1000 Ninja H2R	998		KN-303
KRT800 Teryx4 LE	783	KA-7512		ZX1000 Ninja ZX-10R	1000	KA-1011	KN-303
KX250F	249	KA-2506XD		ZX1000 Ninja ZX-10R	1000 - Race Specific	KA-1011R	KN-303
ZX6R Ninja	636	KA-6009		ZX1000 Ninja ZX-10R 30th Anniversary	1000	KA-1011	KN-303
2015 KAWASAKI				ZX1000 Ninja ZX-10R 30th Anniversary	1000 - Race Specific	KA-1011R	KN-303
EN650 Vulcan S	649		KN-303	ZX1000 Ninja ZX-10R 30th Anniversary	1000	KA-1011	KN-303
EN650 Vulcan S ABS	649		KN-303	ZX1000 Ninja ZX-10R ABS	1000	KA-1011R	KN-303
ER6f	650	KA-6512		ZX1000 Ninja ZX-10R ABS	1000 - Race Specific	KA-1011R	KN-303
ER6n	650	KA-6512		ZX1000 Ninja ZX-10R ABS	1000	KA-1011	KN-303
EX300 Ninja	296	KA-2508	KN-303	ZX1000 Ninja ZX-10R ABS 30th Anniversary	1000	KA-1011	KN-303
EX300 Ninja ABS	296	KA-2508	KN-303	ZX1000 Ninja ZX-10R ABS 30th Anniversary	1000 - Race Specific	KA-1011R	KN-303
EX300 Ninja SE	296	KA-2508	KN-303	ZX1400 Ninja ZX-14R	1441		KN-303
EX650 Ninja	649	KA-6512	KN-303	ABS 30th Anniversary			
EX650 Ninja ABS	649	KA-6512	KN-303	ABS 30th Anniversary			
KAF400 Mule 600	400	KA-4093	KN-128	ABS 30th Anniversary			
KAF400 Mule 610 4x4	400	KA-4093	KN-128	ABS 30th Anniversary			
KAF400 Mule 610 4x4 XC	400	KA-4093	KN-128	ABS 30th Anniversary			
KAF400 Mule 610 4x4 XC SE	400	KA-4093	KN-128	ABS 30th Anniversary			
KAF620 Mule 4000	617	KA-6201	KN-128	ABS 30th Anniversary			
KAF620 Mule 4010 4x4	617	KA-6201	KN-128	ABS 30th Anniversary			
KAF620 Mule 4010 Trans4x4	617	KA-6201	KN-128	ABS 30th Anniversary			
KLE650 Versys	650		KN-303	ABS 30th Anniversary			
KLR650	650	KA-6589	KN-123	ABS 30th Anniversary			
KLX110	110	KA-1102	KN-112	ABS 30th Anniversary			
KLX110L	110	KA-1102	KN-112	ABS 30th Anniversary			
KLX140	140	KA-1408	KN-112	ABS 30th Anniversary			
KLX140L	140	KA-1408	KN-112	ABS 30th Anniversary			
KLZ1000 Versys LT	1000		KN-303	ABS 30th Anniversary			
2014 KAWASAKI				ER6f	650	KA-6512	
				ER6n	650	KA-6512	KN-303
				EX300 Ninja	296	KA-2508	KN-303
				EX300 Ninja ABS	296	KA-2508	KN-303
				EX300 Ninja ABS SE	296	KA-2508	KN-303
				EX300 Ninja SE	296	KA-2508	KN-303
				EX650 Ninja	649	KA-6512	KN-303
				EX650 Ninja ABS	649	KA-6512	KN-303
				JT1500 STX-15F	1498		KN-204
				JT1500 Ultra LX	1498		KN-204
				KAF400 Mule 600	400		KN-128
				KAF400 Mule 610 4x4 XC	400	KA-4093	KN-128

* 2 filters required ♦ Intake System Available - see page 81 +Cabin Air Filter Available - see page 453 1- Pro Series Filter Available

AIR & OIL FILTERS

KAWASAKI

Vehicle	Engine Type	Air Filter	Oil Filter	Vehicle	Engine Type	Air Filter	Oil Filter
2014 KAWASAKI				2013 KAWASAKI			
KAF400 Mule 610 4x4 XC SE	400	KA-4093	KN-128	ER6f	650	KA-6512	
KAF620 Mule 4010 4x4	617	KA-6201	KN-128	ER6n	650	KA-6512	KN-303
KAF620 Mule 4010 Trans4x4	617	KA-6201	KN-128	EX300 Ninja	296	KA-2508	KN-303
KFX450R	449	KA-4508	KN-112	EX300 Ninja ABS	296	KA-2508	KN-303
KLE650 Versys	650		KN-303	EX650 Ninja	649	KA-6512	KN-303
KLR650	650	KA-6589	KN-123	EX650 Ninja ABS	649	KA-6512	KN-303
KLR650 New Edition	650	KA-6589	KN-123	JT1500 STX-15F	1498		KN-204
KLX110	110	KA-1102	KN-112	KAF400 Mule 600	400	KA-4093	KN-128
KLX110L	110	KA-1102	KN-112	KAF400 Mule 610 4x4	400	KA-4093	KN-128
KLX140	140	KA-1408	KN-112	KAF400 Mule 610 4x4 XC	400	KA-4093	KN-128
KLX140L	140	KA-1408	KN-112	KAF620 Mule 4010 4x4	617	KA-6201	KN-128
KLX250S	250		KN-112	KAF620 Mule 4010 Trans4x4	617	KA-6201	KN-128
KRF750 Teryx FI 4x4 LE	750		KN-204	KAF950 Mule 4010 Diesel 4x4	953	KA-6201	
KRF750 Teryx FI 4x4 LE Camo	750		KN-204	KFX450R	449	KA-4508	KN-112
KRF750 Teryx FI 4x4 Sport	750		KN-204	KLE650 Versys	650		KN-303
KRF800 Teryx	783	KA-7512	KN-204	KLR650	650	KA-6589	KN-123
KRF800 Teryx Camo	783	KA-7512	KN-204	KLX110	110	KA-1102	KN-112
KRF800 Teryx LE	783	KA-7512	KN-204	KLX140L	140	KA-1408	KN-112
KRT800 Teryx4	783	KA-7512	KN-204	KLX250S	250		KN-112
KRT800 Teryx4 Camo	783	KA-7512	KN-204	KRF750 Teryx FI 4x4 LE	749	KA-7513	KN-204
KRT800 Teryx4 LE	783	KA-7512	KN-204	KRF750 Teryx FI 4x4 LE Camo	749	KA-7513	KN-204
KVF650 Brute Force 4x4	650		KN-204	KRF750 Teryx FI 4x4 Sport	749	KA-7513	KN-204
KVF650 Brute Force 4x4i	650		KN-204	KRF750 Teryx4 4x4 EPS	749	KA-7512	KN-204
KVF750 Brute Force 4x4i	749	KA-7408	KN-204	KRF750 Teryx4 4x4 EPS LE	749	KA-7512	KN-204
KVF750 Brute Force 4x4i EPS	749	KA-7408	KN-204	KRT750 Teryx4	749		KN-204
KX250F	249	KA-2506XD	KN-207	KVF360 Prairie 4x4	360		KN-204
KX450F	449	KA-2506XD	KN-112	KVF650 Brute Force 4x4	650	KA-6503	
VN900 Vulcan Classic	903	KA-9006	KN-303	KVF650 Brute Force 4x4i	650	KA-7504	KN-204
VN900 Vulcan Classic LT	903	KA-9006	KN-303	KVF750 Brute Force 4x4i	749	KA-7408	KN-204
VN900 Vulcan Custom	903	KA-9006	KN-303	KX250F	249	KA-2506XD	KN-207
VN1700 Vulcan Nomad	1700	KA-1709	KN-303	KX450F	449	KA-2506XD	KN-112
VN1700 Vulcan Vaquero	1700	KA-1709	KN-303	VN900 Vulcan Classic	903	KA-9006	KN-303
VN1700 Vulcan Voyager	1700	KA-1709	KN-303	VN900 Vulcan Classic LT	903	KA-9006	KN-303
Z800	806	KA-1003	KN-303	VN900 Vulcan Custom	903	KA-9006	KN-303
Z1000	1000	KA-1111	KN-303	VN1700 Vulcan Nomad	1700	KA-1709	KN-303
ZG1400 Concours	1400		KN-303	VN1700 Vulcan Vaquero	1700	KA-1709	KN-303
ZG1400 Concours - US	1400	KA-1406	KN-303	VN1700 Vulcan Voyager	1700	KA-1709	KN-303
ZX6R Ninja	636	KA-6009	KN-303	VN1700 Vulcan Voyager ABS	1700	KA-1709	KN-303
ZX6R Ninja - Race Specific	636	KA-6009R	KN-303	Z800	806	KA-1003	KN-303
ZX14R Ninja	1441		KN-303	Z1000	1000	KA-1111	KN-303
ZX1000 Ninja 1000 ABS	1043	KA-1111	KN-303	ZG1400 Concours	1400		KN-303
ZX1000 Ninja ZX-10R	1000	KA-1011	KN-303	ZG1400 Concours - US	1400	KA-1406	KN-303
ZX1000 Ninja ZX-10R - Race Specific	1000	KA-1011R	KN-303	ZX6R Ninja	636	KA-6009	KN-303
ZX1000 Ninja ZX-10R ABS	1000	KA-1011	KN-303	ZX6R Ninja - Race Specific	636	KA-6009R	KN-303
ZX1000 Ninja ZX-10R - Race Specific	1000	KA-1011R	KN-303	ZX14R Ninja	1441		KN-303
ZX1000 Ninja ZX-10R ABS	1000	KA-1011	KN-303	ZX1000 Ninja 1000	1043	KA-1111	KN-303

* 2 filters required ♦ Intake System Available - see page 81 +Cabin Air Filter Available - see page 453 1- Pro Series Filter Available

Partial Listing - Complete List of Vehicles and Applications at knfilters.com

KAWASAKI

AIR & OIL FILTERS

Vehicle	Engine Type	Air Filter	Oil Filter	Vehicle	Engine Type	Air Filter	Oil Filter
2013 KAWASAKI				2012 KAWASAKI			
ZX1000 Ninja 1000 ABS	1043	KA-1111	KN-303	ZX1000 Ninja ZX-10R ABS	1000	KA-1011	KN-303
ZX1000 Ninja ZX-10R ABS	1000	KA-1011	KN-303	ZX1000 Ninja ZX-10R ABS	1000 - Race Specific	KA-1011R	KN-303
ZX1000 Ninja ZX-10R ABS	1000 - Race Specific	KA-1011R	KN-303	ZX1000 Ninja ZX-10R ABS	1000	KA-1011	KN-303
ZX1000 Ninja ZX-10R ABS	1000	KA-1011	KN-303	ZX1000 Ninja ZX-10R ABS	1000 - Race Specific	KA-1011R	KN-303
ZX1000 Ninja ZX-10R ABS	1000 - Race Specific	KA-1011R	KN-303	ZXR1400	1400		KN-303
2012 KAWASAKI				2011 KAWASAKI			
1400GTR	1400		KN-303	1400GTR	1400	KA-1406	KN-303
ER6f	650	KA-6512		ER6n	650		KN-303
ER6n	650	KA-6512	KN-303	EX250R Ninja	250	KA-2508	KN-401
EX250R Ninja	250	KA-2508	KN-401	EX650R Ninja	649		KN-303
EX650 Ninja	649	KA-6512	KN-303	JT1500 STX-15F	1498		KN-204
KAF400 Mule 600	400		KN-128	KAF400 Mule 610 4x4	400	KA-4093	KN-128
KAF400 Mule 610 4x4	400		KN-128	KAF400 Mule 610 4x4 XC	400	KA-4093	KN-128
KAF400 Mule 610 4x4 XC	400	KA-4093	KN-128	KFX450R	449	KA-4508	KN-112
KAF620 Mule 4010 4x4	617	KA-6201	KN-128	KLE650 Versys	650		KN-303
KFX450R	449	KA-4508	KN-112	KLR650	650	KA-6589	KN-123
KLE650 Versys	650		KN-303	KLX110	110	KA-1102	KN-112
KLR650	650	KA-6589	KN-123	KLX140L	140	KA-1408	KN-112
KLX110	110	KA-1102	KN-112	KLX250S	250		KN-112
KLX140L	140	KA-1408	KN-112	KRF750 Teryx FI 4x4 LE	750	KA-7508	KN-204
KLX250S	250		KN-112	KRF750 Teryx FI 4x4 Sport	750	KA-7508	KN-204
KRF750 Teryx FI 4x4 LE	750	KA-7508	KN-204	KVF360 Prairie 4x4	360	KA-3603	KN-204
KRF750 Teryx FI 4x4 Sport	750	KA-7508	KN-204	KVF360 Prairie 4x4 Hardwoods Green HD	360	KA-3603	KN-204
KRT750 Teryx4	749	KA-7512	KN-204	KVF650 Brute Force 4x4	650	KA-6503	
KVF650 Brute Force 4x4	650	KA-6503	KN-204	KVF650 Brute Force 4x4i	650	KA-7504	KN-204
KVF650 Brute Force 4x4i	650	KA-7504	KN-204	KVF750 Brute Force 4x4i	749	KA-7408	KN-204
KVF750 Brute Force 4x4i	749	KA-7408	KN-204	KX250F	250	KA-2506XD	KN-207
KX250F	249	KA-2506XD	KN-207	KX450F	449	KA-2506XD	KN-112
KX450F	449	KA-2506XD	KN-112	VN900 Vulcan Classic	903	KA-9006	KN-303
Ultra 300 LX	1498		KN-204	VN900 Vulcan Classic LT	903	KA-9006	KN-303
VN900 Vulcan Classic	903	KA-9006	KN-303	VN900 Vulcan Custom	903	KA-9006	KN-303
VN900 Vulcan Classic LT	903	KA-9006	KN-303	VN1700 Vulcan Classic	1700	KA-1709	KN-303
VN900 Vulcan Custom	903	KA-9006	KN-303	VN1700 Vulcan Nomad	1700	KA-1709	KN-303
VN1700 Vulcan Classic	1700	KA-1709	KN-303	VN1700 Vulcan Vaquero	1700	KA-1709	KN-303
VN1700 Vulcan Nomad	1700	KA-1709	KN-303	VN1700 Vulcan Voyager	1700	KA-1709	KN-303
VN1700 Vulcan Vaquero	1700	KA-1709	KN-303	Z750R	750	KA-1003	
VN1700 Vulcan Voyager	1700	KA-1709	KN-303	Z750R	750	KA-1003	
Z750R	750	KA-1003	KN-303	Z1000	1000		KN-303
Z1000	1000	KA-1111	KN-303	Z1000	1000 - After VIN ZRT00DE010766	KA-1111	KN-303
Z1000 SX	1000	KA-1111	KN-303	Z1000	1000 - Before VIN ZRT00DE010765	KA-1010	KN-303
ZG1400 Concours	1400		KN-303	Z1000 SX	1000	KA-1111	KN-303
ZG1400 Concours - US	1400 - US	KA-1406	KN-303	ZG1400 Concours	1400	KA-1406	KN-303
ZX6R Ninja	599	KA-6009	KN-303	ZX6R Ninja	599	KA-6009	KN-303
ZX6R Ninja - Race Specific	599 - Race Specific	KA-6009R	KN-303	ZX6R Ninja - Race Specific	599 - Race Specific	KA-6009R	KN-303
ZX14R Ninja	1441		KN-303	ZX14R Ninja	1400	KA-1406	KN-303
ZX1000 Ninja 1000	1043	KA-1111	KN-303	ZX1000 Ninja 1000	1043	KA-1111	KN-303
ZX1000 Ninja 1000 ABS	1043	KA-1111	KN-303	ZX1000 Ninja ZX-10R	1000	KA-1011	KN-303

* 2 filters required ♦ Intake System Available - see page 81 +Cabin Air Filter Available - see page 453 1- Pro Series Filter Available

AIR & OIL FILTERS

KAWASAKI

Vehicle	Engine Type	Air Filter	Oil Filter	Vehicle	Engine Type	Air Filter	Oil Filter
2011 KAWASAKI				2009 KAWASAKI			
ZX1000 Ninja ZX-10R	1000 - Race Specific	KA-1011R	KN-303	ER6n	650		KN-303
ZX1000 Ninja ZX-10R	1000	KA-1011	KN-303	EX250R Ninja	250	KA-2508	KN-401
ABS				EX500R Ninja	500	KA-5087	KN-303
ZX1000 Ninja ZX-10R	1000 - Race Specific	KA-1011R	KN-303	EX650R Ninja	649		KN-303
ABS				JT1500 Ultra LX	1500		KN-204
ZZR1400	1400	KA-1406	KN-303	JT1500 Ultra LX	1500 - Option		KN-303
2010 KAWASAKI				KAF400 Mule 610	400	KA-4093	KN-128
1400GTR	1400	KA-1406	KN-303	4x4			
ER6n	650		KN-303	KAF400 Mule 610	400	KA-4093	KN-128
EX250R Ninja	250	KA-2508	KN-401	4x4 Hardwoods			
EX650R Ninja	649		KN-303	Green HD			
KAF400 Mule 610	400	KA-4093	KN-128	KAF620 Mule 4000	617	KA-6201	KN-128
4x4 XC				KAF620 Mule 4010	617		KN-128
KAF620 Mule 4010	617	KA-6201	KN-128	4x4 Hardwoods			
4x4				Green HD			
KAF620 Mule 4010	617	KA-6201	KN-128	KAF620 Mule 4010	617	KA-6201	KN-128
4x4 Hardwoods				Trans4x4 Hardwoods			
Green HD				Green HD			
KFX450R	449	KA-4508	KN-112	KFX450R	449	KA-4508	KN-112
KLE650 Versys	650		KN-303	KFX700	700	KA-6503	
KLR650	650	KA-6589	KN-123	KL250 Super Sherpa	250		KN-112
KLX110	110	KA-1102	KN-112	KLE650 Versys	650		KN-303
KLX140L	140	KA-1408	KN-112	KLF250 Bayou	228		KN-123
KLX250S	250		KN-112	KLR650	650	KA-6589	KN-123
KLX250SF	250		KN-112	KLX110	110	KA-1102	KN-112
KRF750 Teryx FI 4x4	750	KA-7508	KN-204	KLX140	140	KA-1408	KN-112
KRF750 Teryx FI 4x4	750	KA-7508	KN-204	KLX140L	140	KA-1408	KN-112
LE				KLX250 D-Tracker X	250		KN-112
KRF750 Teryx FI 4x4	750	KA-7508	KN-204	KLX250S	250		KN-112
Sport				KLX250SF	250		KN-112
KVF360 Prairie 4x4	360	KA-3603	KN-204	KLX450R	450	KA-4408	KN-112
KVF360 Prairie 4x4	360	KA-3603	KN-204	KRF750 Teryx 4x4 LE	750		KN-204
Hardwoods Green HD				KRF750 Teryx FI 4x4	750	KA-7508	KN-204
KVF750 Brute Force	749	KA-7408	KN-204	KRF750 Teryx FI 4x4	750	KA-7508	KN-204
4x4i				LE			
KX250F	250	KA-2506XD	KN-207	KRF750 Teryx FI 4x4	750	KA-7508	KN-204
KX450F	450	KA-2506XD	KN-112	LE Camo			
VN900 Vulcan	903	KA-9006	KN-303	KRF750 Teryx FI 4x4	750	KA-7508	KN-204
Classic				NRA Outdoors			
VN900 Vulcan	903	KA-9006	KN-303	KRF750 Teryx FI 4x4	750	KA-7508	KN-204
Classic LT				Sport			
VN900 Vulcan	903	KA-9006	KN-303	KVF360 Prairie 4x4	360	KA-3603	KN-204
Custom				KVF360 Prairie 4x4	360	KA-3603	KN-204
VN1700 Vulcan	1700	KA-1709	KN-303	Hardwoods Green HD			
Classic				KVF650 Brute Force	650	KA-6503	KN-204
VN1700 Vulcan	1700	KA-1709	KN-303	4x4			
Classic LT				KVF650 Brute Force	650	KA-7504	KN-204
VN1700 Vulcan	1700	KA-1709	KN-303	4x4i			
Nomad				KVF750 Brute Force	749	KA-7408	KN-204
VN1700 Vulcan	1700	KA-1709	KN-303	4x4i			
Voyager				KX100	100	KA-8088	
VN2000 Vulcan	2000		KN-303	KX250F	250	KA-2506XD	KN-207
Classic LT				KX450F	450	KA-2506XD	KN-112
Z750	750	KA-1003		VN900 Vulcan	903	KA-9006	KN-303
Z1000	1000	KA-1010	KN-303	Classic			
ZG1400 Concours	1400	KA-1406	KN-303	VN900 Vulcan	903	KA-9006	KN-303
ZX6R Ninja	599	KA-6009	KN-303	Classic LT			
ZX6R Ninja	599 - Race Specific	KA-6009R	KN-303	VN900 Vulcan	903	KA-9006	KN-303
ZX14R Ninja	1400	KA-1406	KN-303	Custom			
ZX1000 Ninja ZX-10R	1000	KA-1008	KN-303	VN1700 Vulcan	1700	KA-1709	KN-303
ZX1000 Ninja ZX-10R	1000 - Race Specific	KA-1008R	KN-303	Classic			
ZZR1400	1400	KA-1406		VN1700 Vulcan	1700	KA-1709	KN-303
2009 KAWASAKI				Classic LT			
1400GTR	1400	KA-1406	KN-303	VN1700 Vulcan	1700	KA-1709	KN-303
EN500 Vulcan LTD	500	KA-5096	KN-303	Nomad			
ER6f	650		KN-303	VN1700 Vulcan	1700	KA-1709	KN-303
				Voyager			
				VN2000 Vulcan	2000		KN-303

* 2 filters required ♦ Intake System Available - see page 81 +Cabin Air Filter Available - see page 453 1- Pro Series Filter Available

Partial Listing - Complete List of Vehicles and Applications at knfilters.com

KAWASAKI

AIR & OIL FILTERS

Vehicle	Engine Type	Air Filter	Oil Filter	Vehicle	Engine Type	Air Filter	Oil Filter
2009 KAWASAKI				2008 KAWASAKI			
VN2000 Vulcan Classic	2000	KA-2008	KN-303	VN900 Vulcan Custom	903	KA-9006	KN-303
VN2000 Vulcan Classic LT	2000	KA-2008	KN-303	VN1500 Vulcan Classic	1500	KA-1596	KN-303
Z1000	1000	KA-1003		VN1600 Vulcan Classic	1600	KA-1603	KN-303
ZG1400 Concours	1400	KA-1406	KN-303	VN1600 Vulcan Mean Streak	1600	KA-1596	KN-303
ZX6R Ninja	600	KA-6009	KN-303	VN1600 Vulcan Nomad	1600	KA-1603	KN-303
ZX6R Ninja	600 - Race Specific	KA-6009R	KN-303	VN2000 Vulcan	2000	KA-2008	KN-303
ZX14R Ninja	1400	KA-1406	KN-303	VN2000 Vulcan Classic	2000	KA-2008	KN-303
ZX1000 Ninja ZX-10R	1000	KA-1008	KN-303	VN2000 Vulcan Classic LT	2000	KA-2008	KN-303
ZX1000 Ninja ZX-10R	1000 - Race Specific	KA-1008R	KN-303	Z750	750	KA-1003	
ZZR1400	1400	KA-1406		Z1000	1000	KA-1003	KN-303
2008 KAWASAKI				2007 KAWASAKI			
1400GTR	1400	KA-1406	KN-303	EN500 Vulcan LTD	500	KA-5096	KN-303
EN500 Vulcan LTD	500	KA-5096	KN-303	ER6f	650		KN-303
ER6n	650		KN-303	ER6n	650		KN-303
EX250R Ninja	250	KA-2508	KN-401	EX250R Ninja	250	KA-2586	KN-401
EX500R Ninja	500	KA-5087	KN-303	EX500R Ninja	500	KA-5087	KN-303
EX650R Ninja	649		KN-303	EX650R Ninja	649		KN-303
JT1500 STX-15F	1493		KN-204	JT1200 STX-12F	1176 - Option		KN-303
JT1500 STX-15F	1493 - Option		KN-303	JT1500 Ultra 250X	1500		KN-204
JT1500 Ultra 250X	1500		KN-204	KAF400 Mule 600	400	KA-4093	KN-128
JT1500 Ultra LX	1500		KN-204	KAF400 Mule 610 4x4	400	KA-4093	KN-128
JT1500 Ultra LX	1500 - Option		KN-303	KAF400 Mule 610 4x4 Hardwoods Green HD	400	KA-4093	KN-128
KAF400 Mule 610 4x4	400		KN-128	KAF620 Mule 3010 4x4	620	KA-6201	KN-128
KAF400 Mule 610 4x4 Hardwoods Green HD	400	KA-4093	KN-128	KAF620 Mule 3010 4x4 Hardwoods Green HD	620	KA-6201	KN-128
KAF620 Mule 3010 4x4	620	KA-6201	KN-128	KAF620 Mule 3010 4x4 Hardwoods Trans4x4	620	KA-6201	KN-128
KAF620 Mule 3010 4x4 Hardwoods Green HD	620	KA-6201	KN-128	KAF620 Mule 3010 4x4 Hardwoods Trans4x4 Hardwoods Green HD	620	KA-6201	KN-128
KFX450R	449	KA-4508	KN-112	KFX700	700	KA-6503	KN-204
KFX700	700	KA-6503	KN-204	KLE650 Versys	650		KN-303
KLE650 Versys	650		KN-303	KLF250 Bayou	228	KA-2288	KN-123
KLF250 Bayou	228	KA-2288	KN-123	KLR650	650	KA-6589	KN-123
KLR650	650	KA-6589	KN-123	KLX110	110	KA-1102	KN-112
KLX110	110	KA-1102	KN-112	KLX140	140		KN-112
KLX140	140		KN-112	KLX140L	140	KA-1408	KN-112
KLX140L	140	KA-1408	KN-112	KLX250 D-Tracker X	250		KN-112
KLX250 D-Tracker X	250		KN-112	KLX450R	450	KA-4408	KN-112
KLX450R	450	KA-4408	KN-112	KRF750 Teryx 4x4	750	KA-7508	KN-204
KRF750 Teryx 4x4	750	KA-7508	KN-204	KRF750 Teryx 4x4 LE	750	KA-7508	KN-204
KRF750 Teryx 4x4 LE	750	KA-7508	KN-204	NRA Outdoors			
NRA Outdoors				KVF360 Prairie 4x4	360	KA-3603	KN-204
KVF360 Prairie 4x4	360	KA-3603	KN-204	KVF360 Prairie 4x4 Hardwoods Green HD	360	KA-3603	KN-204
KVF360 Prairie 4x4 Hardwoods Green HD	360	KA-3603	KN-204	KVF650 Brute Force 4x4	650	KA-6503	KN-204
KVF650 Brute Force 4x4	650	KA-6503	KN-204	KVF650 Brute Force 4x4i	650	KA-7504	KN-204
KVF650 Brute Force 4x4i	650	KA-7504	KN-204	KVF750 Brute Force 4x4i	749	KA-7408	KN-204
KVF750 Brute Force 4x4i	749	KA-7408	KN-204	KX250	250		KN-207
KX250	250		KN-207	KX250 - Non-US	250 - Non-US	KA-1297	KN-207
KX250 - Non-US	250 - Non-US	KA-1297	KN-207	KX250F	250	KA-2506XD	KN-207
KX250F	250	KA-2506XD	KN-207	KX450F	450	KA-2506XD	KN-112
KX450F	450	KA-2506XD	KN-112	VN900 Vulcan Classic	903	KA-9006	KN-303
VN900 Vulcan Classic	903	KA-9006	KN-303	VN900 Vulcan Classic LT	903	KA-9006	KN-303
VN900 Vulcan Classic LT	903	KA-9006	KN-303				
				KX250	250	KA-1297	KN-207
				KX250F	250	KA-2506XD	KN-207

* 2 filters required ♦ Intake System Available - see page 81 +Cabin Air Filter Available - see page 453 1- Pro Series Filter Available

AIR & OIL FILTERS

KAWASAKI

Vehicle	Engine Type	Air Filter	Oil Filter	Vehicle	Engine Type	Air Filter	Oil Filter
2007 KAWASAKI				2006 KAWASAKI			
KX450F	450	KA-2506XD	KN-112	KX450F	450	KA-2506XD	KN-112
VN900 Vulcan Classic	903	KA-9006	KN-303	VN750 Vulcan	749	KA-7586	KN-204
VN900 Vulcan Classic LT	903	KA-9006	KN-303	VN800 Vulcan Drifter	800	KA-8095	KN-204
VN900 Vulcan Custom	903	KA-9006	KN-303	VN900 Vulcan Classic	903	KA-9006	KN-303
VN1500 Vulcan Classic	1500	KA-1596	KN-303	VN900 Vulcan Classic LT	903	KA-9006	KN-303
VN1600 Vulcan Classic	1600	KA-1603	KN-303	VN1500 Vulcan Classic	1500	KA-1596	KN-204
VN1600 Vulcan Mean Streak	1600	KA-1596	KN-303	VN1600 Vulcan Classic	1600	KA-1603	KN-204
VN1600 Vulcan Nomad	1600	KA-1603	KN-303	VN1600 Vulcan Mean Streak	1600	KA-1596	KN-204
VN2000 Vulcan	2000	KA-2008	KN-303	VN1600 Vulcan Nomad	1600	KA-1603	KN-204
VN2000 Vulcan Classic	2000	KA-2008	KN-303	VN2000 Vulcan	2000	KA-2008	KN-204
VN2000 Vulcan Classic LT	2000	KA-2008	KN-303	VN2000 Vulcan Classic	2000	KA-2008	KN-204
Z750	750	KA-1003	KN-303	VN2000 Vulcan Classic LT	2000	KA-2008	KN-204
Z750S	750	KA-1003	KN-303	VN2000 Vulcan Limited	2000	KA-2008	KN-204
Z1000	1000	KA-1003	KN-303	Z750S	750	KA-1003	KN-204
ZX6R Ninja	600	KA-6007	KN-303	Z1000	1000	KA-1003	KN-204
ZX6R Ninja	600 - Race Specific	KA-6007R	KN-303	ZG1000 Concours	998	KA-9084	KN-401
ZX14R Ninja	1400	KA-1406	KN-303	ZX6R Ninja	636	KA-6005	KN-204
ZX1000 Ninja ZX-10R	1000	KA-1004	KN-303	ZX6RR Ninja	600	KA-6005	KN-204
ZZR600	600 - US	KA-6098	KN-303	ZX12R Ninja	1200	KA-1299-1	KN-204
ZZR1400	1400	KA-1406	KN-303	ZX14R Ninja	1400	KA-1406	KN-303
2006 KAWASAKI				2005 KAWASAKI			
EN500 Vulcan LTD	500	KA-5096	KN-204	EN500 Vulcan LTD	500	KA-5096	KN-204
ER6f	650		KN-204	EX250R Ninja	250	KA-2586	KN-401
EX250R Ninja	250	KA-2586	KN-401	EX500R Ninja	500	KA-5087	KN-204
EX500R Ninja	500	KA-5087	KN-204	JT1500 STX-15F	1493		KN-204
EX650R Ninja	649		KN-204	KAF400 Mule 610 4x4	400	KA-4093	KN-128
JT1500 STX-15F	1493		KN-204	KAF400 Mule 610 4x4 Hardwoods Green HD	400	KA-4093	KN-128
KAF400 Mule 610 4x4	400	KA-4093	KN-128	KAF620 Mule 3010 4x4 Hardwoods Green HD	620	KA-6201	KN-128
KAF400 Mule 610 4x4 Hardwoods Green HD	400	KA-4093	KN-128	KFX400	400	SU-4002	KN-139
KAF620 Mule 3010 4x4 Hardwoods Green HD	620	KA-6201	KN-128	KFX700	697	KA-6503	KN-204
KFX400	400	SU-4002	KN-139	KLF250 Bayou	228	KA-2288	KN-123
KFX700	697	KA-6503	KN-204	KLR650	650	KA-6589	KN-123
KLF250 Bayou	228	KA-2288	KN-123	KLX110	110	KA-1102	KN-112
KLR650	650	KA-6589	KN-123	KLX125	125	KA-1203	KN-132
KLX110	110	KA-1102	KN-112	KLX125L	125	KA-1203	KN-132
KLX125	125	KA-1203	KN-132	KLX250S	250	KA-1287	KN-112
KLX125L	125	KA-1203	KN-132	KLX300R	300	KA-1287	KN-112
KLX250S	250	KA-1287	KN-112	KVF360 Prairie 4x4	360	KA-3603	KN-204
KLX300R	300	KA-1287	KN-112	KVF360 Prairie 4x4 Hardwoods Green HD	360	KA-3603	KN-204
KVF360 Prairie 4x4	360	KA-3603	KN-204	KVF650 Brute Force 4x4	650	KA-6503	KN-204
KVF360 Prairie 4x4 Hardwoods Green HD	360	KA-3603	KN-204	KVF650 Brute Force 4x4i	650	KA-7504	KN-204
KVF650 Brute Force 4x4	650	KA-6503	KN-204	KVF700 Prairie 4x4	700	KA-6503	KN-204
KVF650 Brute Force 4x4i	650	KA-7504	KN-204	KVF700 Prairie 4x4 Team Green	700	KA-6503	KN-204
KVF700 Prairie 4x4	700	KA-6503	KN-204	KVF750 Brute Force 4x4i	750	KA-7504	KN-204
KVF700 Prairie 4x4 Team Green	700	KA-6503	KN-204	KX250	250	KA-1297	KN-207
KVF750 Brute Force 4x4i	750	KA-7504	KN-204	KX250F	250	KA-2506XD	KN-207
KX250	250	KA-1297	KN-207				
KX250F	250	KA-2506XD	KN-207				

* 2 filters required ♦ Intake System Available - see page 81 +Cabin Air Filter Available - see page 453 1- Pro Series Filter Available

KAWASAKI

AIR & OIL FILTERS

Vehicle	Engine Type	Air Filter	Oil Filter	Vehicle	Engine Type	Air Filter	Oil Filter
2005 KAWASAKI				2004 KAWASAKI			
KVF360 Prairie 4x4 Hardwoods Green HD	360	KA-3603	KN-204	VN750 Vulcan	749	KA-7586	KN-204
KVF650 Brute Force 4x4	650	KA-6503	KN-204	VN800 Vulcan	800	KA-8095	KN-204
KVF700 Prairie 4x4	700	KA-6503	KN-204	VN800 Vulcan Classic	800	KA-8095	KN-204
KVF700 Prairie 4x4 Hardwoods Green HD	700	KA-6503	KN-204	VN1500 Vulcan Classic	1500	KA-1596	KN-204
KVF700 Prairie 4x4 Team Green	700	KA-6503	KN-204	VN1500 Vulcan Drifter	1500		KN-204
KVF750 Brute Force 4x4i	750	KA-7504	KN-204	VN1500 Vulcan Nomad F/I	1500	KA-1596	KN-204
KX250	250	KA-1297		VN1600 Vulcan Classic	1600	KA-1603	KN-204
KX250F	250	KA-2504	KN-207	VN1600 Vulcan Mean Streak	1600	KA-1596	KN-204
KZ1000P Police	1000		KN-401	VN2000 Vulcan	2000	KA-2008	KN-204
VN750 Vulcan	749	KA-7586	KN-204	VN2000 Vulcan Classic LT	2000	KA-2008	KN-204
VN800 Vulcan	800	KA-8095	KN-204	Z750	750	KA-1003	KN-204
VN800 Vulcan Classic	800	KA-8095	KN-204	Z1000	1000	KA-1003	KN-204
VN800 Vulcan Drifter	800	KA-8095	KN-204	ZG1000 Concours	998	KA-9084	KN-401
VN1500 Vulcan Classic	1500	KA-1596	KN-204	ZRX1200	1200	KA-1199	KN-401
VN1600 Vulcan Classic	1600	KA-1603	KN-204	ZX6R Ninja	636	KA-6003	KN-303
VN1600 Vulcan Mean Streak	1600	KA-1596	KN-204	ZX6RR Ninja	600	KA-6003	KN-204
VN1600 Vulcan Nomad	1600	KA-1603	KN-204	ZX12R Ninja	1200	KA-1299-1	KN-204
VN2000 Vulcan	2000	KA-2008	KN-204	ZX1000 Ninja ZX-10R	1000	KA-1004	KN-204
VN2000 Vulcan Classic LT	2000	KA-2008	KN-204	ZZR600	600		KN-204
Z750	750	KA-1003	KN-204	ZZR600	600 - Exc. OE Filter w/hole	KA-6093	KN-204
Z750S	750	KA-1003	KN-204	ZZR1200	1200	KA-1093	KN-401
Z1000	1000	KA-1003	KN-204	2003 KAWASAKI			
ZG1000 Concours	998	KA-9084	KN-401	EN500 Vulcan LTD	500	KA-5096	KN-204
ZRX1200	1200	KA-1199	KN-401	EX250R Ninja	250	KA-2586	KN-401
ZX6R Ninja	636	KA-6005	KN-303	EX500R Ninja	500	KA-5087	KN-204
ZX6RR Ninja	600	KA-6005	KN-204	KAF620 Mule 3010 4x4	620	KA-6201	KN-128
ZX12R Ninja	1200	KA-1299-1	KN-204	KAF950 Mule 3010 Diesel 4x4	950	KA-6201	
ZX1000 Ninja ZX-10R	1000	KA-1004	KN-204	KFX80	80	SU-8087	
ZZR600	600		KN-204	KFX400	400	SU-4002	KN-139
ZZR600	600 - Non-US	KA-6093	KN-204	KLF250 Bayou	249	KA-2288	KN-123
ZZR600	600 - US	KA-6098	KN-204	KLR250	250		KN-123
ZZR1200	1200	KA-1093	KN-401	KLR650	650	KA-6589	KN-123
2004 KAWASAKI				KLX110	110		KN-112
EN500 Vulcan LTD	500	KA-5096	KN-204	KLX125	125	KA-1203	KN-132
EX250R Ninja	250	KA-2586	KN-401	KLX125L	125	KA-1203	KN-132
EX500R Ninja	500	KA-5087	KN-204	KLX300R	300	KA-1287	KN-112
JT1500 STX-15F	1493		KN-204	KLX400R	400	SU-4000	KN-139
KAF950 Mule 3010 Diesel 4x4	950	KA-6201		KLX400SR	400	SU-4000	
KFX400	400	SU-4002	KN-139	KVF360 Prairie 2x4	392	KA-3603	KN-204
KFX700 V Force	697	KA-6503	KN-204	KVF360 Prairie 4x4	360	KA-3603	KN-204
KLF250 Bayou	228	KA-2288	KN-123	KVF650 Prairie 4x4	635	KA-6503	KN-204
KLR250	250		KN-123	KX125	125	KA-1297	
KLR650	650	KA-6589	KN-123	KX250	250	KA-1297	
KLX110	110	KA-1102	KN-112	VN750 Vulcan	749	KA-7586	KN-303
KLX125	125	KA-1203	KN-132	VN800 Vulcan	800	KA-8095	KN-204
KLX125L	125	KA-1203	KN-132	VN800 Vulcan Classic	803	KA-8095	KN-204
KVF360 Prairie 4x4	360	KA-3603	KN-204	VN800 Vulcan Drifter	800	KA-8095	KN-204
KVF360 Prairie 4x4 Hardwoods Green HD	360	KA-3603	KN-204	VN1500 Vulcan Classic	1500	KA-1596	KN-204
KVF700 Prairie 4x4	700	KA-6503	KN-204	VN1500 Vulcan Classic Tourer F/I	1500	KA-1596	KN-204
KVF700 Prairie 4x4 Hardwoods Green HD	700	KA-6503	KN-204	VN1500 Vulcan Mean Streak	1500	KA-1596	KN-204
KX250F	250	KA-2504	KN-207				
KX500	500	KA-1287					

* 2 filters required ♦ Intake System Available - see page 81 +Cabin Air Filter Available - see page 453 1- Pro Series Filter Available

AIR & OIL FILTERS

KAWASAKI

Vehicle	Engine Type	Air Filter	Oil Filter	Vehicle	Engine Type	Air Filter	Oil Filter
2003 KAWASAKI				2001 KAWASAKI			
VN1500 Vulcan Nomad F/I	1500	KA-1596	KN-204	KAF620 Mule 3010 4x4	620	KA-6201	KN-128
VN1600 Vulcan Classic	1553	KA-1603	KN-204	KLF220 Bayou	215	KA-2288	KN-123
Z1000	1000	KA-1003	KN-204	KLR250	250		KN-123
ZG1000 Concours	998	KA-9084	KN-401	KLR650	650	KA-6589	KN-123
ZR7S	750	KA-0850	KN-401	KLX300R	300	KA-1287	KN-112
ZRX1200	1200	KA-1199	KN-401	KVF300 Prairie 4x4	300	KA-4093	KN-303
ZX6R Ninja	636	KA-6003	KN-303	KVF400 Prairie 4x4	400	KA-4093	KN-303
ZX6RR Ninja	600	KA-6003	KN-204	KX125	125	KA-1297	
ZX7R Ninja	750	KA-7596	KN-303	KX250	250	KA-1297	
ZX9R Ninja	900	KA-9098	KN-204	VN750 Vulcan	749	KA-7586	KN-303
ZX12R Ninja	1200	KA-1299-1	KN-204	VN800 Vulcan	800	KA-8095	KN-303
ZZR600	600		KN-204	VN800 Vulcan Classic	803	KA-8095	KN-303
ZZR600	600 - Exc. OE Filter w/whole	KA-6093	KN-204	VN800 Vulcan Drifter	800	KA-8095	KN-303
ZZR1200	1200	KA-1093	KN-401	VN1500 Vulcan Classic	1500	KA-1596	KN-204
2002 KAWASAKI				2000 KAWASAKI			
EN500 Vulcan LTD	500	KA-5096	KN-303	VN1500 Vulcan Classic F/I	1500	KA-1596	KN-204
EX250R Ninja	250	KA-2586	KN-401	VN1500 Vulcan Classic Tourer F/I	1500		KN-204
EX500R Ninja	500	KA-5087	KN-303	VN1500 Vulcan Drifter	1500	KA-1596	KN-204
KAF620 Mule 3010 4x4	620	KA-6201	KN-128	VN1500 Vulcan Nomad	1500	KA-1596	KN-204
KLF220 Bayou	220	KA-2288	KN-123	VN1500 Vulcan Nomad F/I	1500	KA-1596	KN-204
KLR650	650	KA-6589	KN-123	W650	650		KN-204
KLX110	110		KN-112	ZG1000 Concours	1000	KA-9084	KN-401
KLX300R	300	KA-1287	KN-112	ZG1200 Voyager XII	1185		KN-401
KSF250 Mojave	249		KN-123	ZR7S	750	KA-0850	KN-401
KVF300 Prairie 4x4	300	KA-4093	KN-303	ZRX1200	1200	KA-1199	KN-401
KVF650 Prairie 4x4	635	KA-6502	KN-204	ZX6 Ninja	600		KN-303
KX250	250	KA-1297		ZX6 Ninja	600 - Exc. OE Filter w/whole	KA-6093	KN-303
VN750 Vulcan	749	KA-7586	KN-303	ZX6R Ninja	588	KA-6098	KN-303
VN800 Vulcan	800	KA-8095	KN-303	ZX7R Ninja	750	KA-7596	KN-303
VN800 Vulcan Classic	803	KA-8095	KN-204	ZX9R Ninja	900	KA-9098	KN-303
VN800 Vulcan Drifter	800	KA-8095	KN-303	ZX11 Ninja	1100	KA-1093	
VN1500 Vulcan Classic	1500	KA-1596	KN-204	ZX12R Ninja	1200	KA-1299-1	KN-204
VN1500 Vulcan Classic F/I	1500	KA-1596	KN-204	ZZR600	600		KN-303
VN1500 Vulcan Classic Tourer F/I	1500	KA-1596	KN-204	ZZR600	600 - Exc. OE Filter w/whole	KA-6093	KN-303
VN1500 Vulcan Mean Streak	1500	KA-1596	KN-204	2000 KAWASAKI			
VN1500 Vulcan Nomad F/I	1500	KA-1596	KN-204	EN500 Vulcan LTD	500	KA-5096	KN-303
W650	650		KN-204	EX250R Ninja	250	KA-2586	KN-401
ZG1000 Concours	998	KA-9084	KN-401	EX500R Ninja	500	KA-5087	KN-303
ZG1200 Voyager XII	1185		KN-401	KAF620 Mule 2510 4x4	620	KA-4093	KN-128
ZR7S	750	KA-0850	KN-401	KL250 Super Sherpa	250		KN-112
ZRX1200	1200	KA-1199	KN-401	KLF220 Bayou	215	KA-2288	KN-123
ZX6R Ninja	588	KA-6098	KN-204	KLF300 Bayou 4x4	300	KA-4093	KN-123
ZX7R Ninja	750	KA-7596	KN-303	KLR250	250		KN-123
ZX9R Ninja	900	KA-9098	KN-204	KLR650	650	KA-6589	KN-123
ZX12R Ninja	1200	KA-1299-1	KN-204	KLX300R	300	KA-1287	KN-112
ZZR600	600		KN-204	KVF300 Prairie 2x4	290	KA-4093	KN-303
ZZR600	600 - Exc. OE Filter w/whole	KA-6093	KN-204	KVF300 Prairie 4x4	300	KA-4093	KN-303
ZZR1200	1200	KA-1093	KN-401	KVF400 Prairie 4x4	400	KA-4093	KN-303
2001 KAWASAKI				KX250	250	KA-1297	
EN500 Vulcan LTD	500	KA-5096	KN-303	VN750 Vulcan	749	KA-7586	KN-303
EX250R Ninja	250	KA-2586	KN-401	VN800 Vulcan	800	KA-8095	KN-303
EX500R Ninja	500	KA-5087	KN-303	VN800 Vulcan Classic	800	KA-8095	KN-303
KAF300 Mule 550	300		KN-128	VN800 Vulcan Drifter	800	KA-8095	KN-303
				VN1500 Vulcan Classic	1500	KA-1596	KN-204

* 2 filters required ♦ Intake System Available - see page 81 +Cabin Air Filter Available - see page 453 1- Pro Series Filter Available

KAWASAKI

AIR & OIL FILTERS

Vehicle	Engine Type	Air Filter	Oil Filter	Vehicle	Engine Type	Air Filter	Oil Filter
2000 KAWASAKI				1998 KAWASAKI			
VN1500 Vulcan Classic F/I	1500	KA-1596	KN-204	VN750 Vulcan	749	KA-7586	KN-202
VN1500 Vulcan Classic Tourer F/I	1500		KN-303	VN800 Vulcan	800		KN-303
VN1500 Vulcan Nomad	1500	KA-1596	KN-204	VN800 Vulcan Classic	800	KA-8095	KN-303
VN1500 Vulcan Nomad F/I	1500	KA-1596	KN-303	VN1500 Vulcan	1500	KA-1594	KN-303
W650	650		KN-204	VN1500 Vulcan Classic	1500	KA-1596	KN-303
ZG1000 Concours	1000	KA-9084	KN-401	VN1500 Vulcan Nomad	1500	KA-1596	KN-303
ZG1200 Voyager XII	1185		KN-401	ZG1000 Concours	1000	KA-9084	KN-401
ZR7	750	KA-0850	KN-401	ZX6 Ninja	600		KN-303
ZRX1100	1100	KA-1199	KN-401	ZX6 Ninja	600 - Exc. OE Filter w/hole	KA-6093	KN-303
ZX6 Ninja	600		KN-303	ZX6R Ninja	600	KA-6098	KN-303
ZX6 Ninja	600 - Exc. OE Filter w/hole	KA-6093	KN-303	ZX7R Ninja	750	KA-7596	KN-303
ZX6R Ninja	600	KA-6098	KN-303	ZX9R Ninja	900	KA-9098	KN-303
ZX7R Ninja	750	KA-7596	KN-303	ZX11 Ninja	1100	KA-1093	KN-401
ZX9R Ninja	900	KA-9098	KN-303	1997 KAWASAKI			
ZX12R Ninja	1200	KA-1299-1	KN-204	EN500 Vulcan LTD	500	KA-5096	KN-303
1999 KAWASAKI				EX250R Ninja	250	KA-2586	KN-401
EX250R Ninja	250	KA-2586	KN-401	EX500R Ninja	500	KA-5087	KN-303
EX500R Ninja	500	KA-5087	KN-303	KLF220 Bayou	215	KA-2288	KN-123
KAF620 Mule 2510 4x4	620	KA-4093	KN-128	KLF300 Bayou 4x4	300	KA-4093	KN-123
KLF220 Bayou	215	KA-2288	KN-123	KLR650	650	KA-6589	KN-123
KLF300 Bayou 4x4	300	KA-4093	KN-123	KLX250 D-Tracker	250	KA-1287	
KLR650	650	KA-6589	KN-123	KVF300 Prairie 4x4	300	KA-4093	KN-303
KLX250 D-Tracker	250	KA-1287		KVF400 Prairie 4x4	400	KA-4093	KN-303
KVF300 Prairie 4x4	300	KA-4093	KN-303	KX250	250	KA-1297	
KVF400 Prairie 4x4	400	KA-4093	KN-303	VN750 Vulcan	749	KA-7586	KN-303
KX250	250	KA-1297		VN800 Vulcan	800	KA-8095	KN-303
VN750 Vulcan	749	KA-7586	KN-303	VN800 Vulcan Classic	800	KA-8095	KN-303
VN800 Vulcan	800	KA-8095	KN-303	VN800 Vulcan Drifter	800	KA-8095	KN-303
VN800 Vulcan Classic	800	KA-8095	KN-303	VN1500 Vulcan	1500	KA-1594	KN-303
VN800 Vulcan Drifter	800	KA-8095	KN-303	VN1500 Vulcan Classic	1500	KA-1596	KN-204
VN1500 Vulcan	1500	KA-1594	KN-303	VN1500 Vulcan Classic Tourer F/I	1500	KA-1596	KN-303
VN1500 Vulcan Classic	1500	KA-1596	KN-204	VN1500 Vulcan Drifter	1500	KA-1596	KN-204
VN1500 Vulcan Classic Tourer F/I	1500	KA-1596	KN-303	VN1500 Vulcan Nomad	1500	KA-1596	KN-204
VN1500 Vulcan Drifter	1500	KA-1596	KN-204	ZG1000 Concours	1000	KA-9084	KN-401
VN1500 Vulcan Nomad	1500	KA-1596	KN-204	ZG1200 Voyager XII	1185		KN-401
ZG1000 Concours	1000	KA-9084	KN-401	ZX6 Ninja	600		KN-303
ZG1200 Voyager XII	1185		KN-401	ZX6 Ninja	600 - Exc. OE Filter w/hole	KA-6093	KN-303
ZRX1100	1100	KA-1199	KN-401	ZX6R Ninja	600	KA-6095	KN-303
ZX6 Ninja	600		KN-303	ZX7R Ninja	750	KA-7596	KN-303
ZX6 Ninja	600 - Exc. OE Filter w/hole	KA-6093	KN-303	ZX9R Ninja	900	KA-9094	KN-303
ZX6R Ninja	600	KA-6098	KN-303	ZX11 Ninja	1100	KA-1093	
ZX7R Ninja	750	KA-7596	KN-303	ZX600R Ninja	600	KA-7587	
ZX9R Ninja	900	KA-9098	KN-303	ZZR600	600		KN-303
ZX11 Ninja	1100	KA-1093		ZZR600	600 - Exc. OE Filter w/hole	KA-6093	KN-303
ZZR1100	1100	KA-1093		1996 KAWASAKI			
1998 KAWASAKI				EN500 Vulcan	500	KA-5090	KN-303
EX250R Ninja	250	KA-2586	KN-401	EN500 Vulcan LTD	500	KA-5096	KN-303
KAF620 Mule 2510 4x4	620		KN-128	GPZ1100	1100		KN-401
KLF220 Bayou	215	KA-2288	KN-123	KLF220 Bayou	215		KN-123
KLF300 Bayou 4x4	300	KA-4093	KN-123	KLF300 Bayou 4x4	300	KA-4093	KN-123
KLR650	650	KA-6589	KN-123	KLR250	250		KN-123
KLX300R	300	KA-1287	KN-112	KLR650	650	KA-6589	KN-123
KVF400 Prairie 4x4	400	KA-4093	KN-303	VN750 Vulcan	749	KA-7586	KN-202
1998 KAWASAKI				VN800 Vulcan	800	KA-8095	KN-303
EX250R Ninja	250	KA-2586	KN-401	VN800 Vulcan Classic	800	KA-8095	KN-303
KAF620 Mule 2510 4x4	620		KN-128	VN1500 Vulcan	1500	KA-1594	KN-303
KLF220 Bayou	215	KA-2288	KN-123	VN1500 Vulcan 88	1500		KN-303
KLF300 Bayou 4x4	300	KA-4093	KN-123	VN1500 Vulcan Classic	1500	KA-1596	KN-303
KLR650	650	KA-6589	KN-123	VN1500 Vulcan L	1500	KA-1594	KN-303
KLX300R	300	KA-1287	KN-112	ZL600 Eliminator	600		KN-401
KVF400 Prairie 4x4	400	KA-4093	KN-303				

* 2 filters required ♦ Intake System Available - see page 81 +Cabin Air Filter Available - see page 453 1- Pro Series Filter Available

AIR & OIL FILTERS

KAWASAKI

Vehicle	Engine Type	Air Filter	Oil Filter
1996 KAWASAKI			
ZX6 Ninja	600		KN-303
ZX6 Ninja	600 - Exc. OE Filter w/whole	KA-6093	KN-303
ZX6R Ninja	600	KA-6095	KN-303
ZX7R Ninja	750	KA-7596	KN-303
ZX9R Ninja	900	KA-9094	KN-303
ZX11 Ninja	1100	KA-1093	KN-401
ZX600R Ninja	600	KA-7587	KN-401

Vehicle	Engine Type	Air Filter	Oil Filter
1995 KAWASAKI			
EN500 Vulcan	500	KA-5090	KN-303
GPZ1100	1100		KN-401
KLF220 Bayou	215	KA-2288	KN-123
KLF300 Bayou 2x4	290	KA-4093	KN-123
KLF300 Bayou 4x4	300	KA-4093	KN-123
KLF400 Bayou 4x4	392	KA-4093	KN-303
KLR650	650	KA-6589	KN-123
KZ1000P Police	998	KA-1600	KN-401
VN750 Vulcan	749	KA-7586	KN-202
VN800 Vulcan	800	KA-8095	KN-303
VN1500 Vulcan	1500		KN-303
VN1500 Vulcan 88	1500		KN-303
VN1500 Vulcan VV	1500		KN-303
ZX6 Ninja	600		KN-303
ZX6 Ninja	600 - Exc. OE Filter w/whole	KA-6093	KN-303
ZX6R Ninja	600	KA-6095	KN-303
ZX7 Ninja	750		KN-303
ZX9R Ninja	900	KA-9094	KN-303
ZX11 Ninja	1100	KA-1093	
ZX600R Ninja	600	KA-7587	KN-401

Vehicle	Engine Type	Air Filter	Oil Filter
1994 KAWASAKI			
EN500 Vulcan	500	KA-5090	KN-303
KLF220 Bayou	215	KA-2288	KN-123
KLF300 Bayou 4x4	300	KA-4093	KN-123
KLF400 Bayou 4x4	392	KA-4093	KN-303
KLR650	650	KA-6589	KN-123
VN750 Vulcan	749	KA-7586	KN-202
VN1500 Vulcan	1500	KA-1594	KN-303
VN1500 Vulcan VV	1500		KN-303
ZX6 Ninja	600		KN-303
ZX6 Ninja	600 - Exc. OE Filter w/whole	KA-6093	KN-303
ZX7 Ninja	750	KA-0007	KN-303
ZX9R Ninja	900	KA-9094	KN-303
ZX11 Ninja	1100	KA-1093	KN-401
ZZR1100	1100	KA-1093	

Vehicle	Engine Type	Air Filter	Oil Filter
1993 KAWASAKI			
EN500 Vulcan	500	KA-5090	KN-303
KLF220 Bayou	215		KN-123
KLR650	650	KA-6589	KN-123
VN750 Vulcan	749	KA-7586	KN-202
VN1500 Vulcan 88	1500		KN-303
ZR1100 Zephyr	1100	KA-1192	
ZX6 Ninja	600		KN-303
ZX6 Ninja	600 - Exc. OE Filter w/whole	KA-6093	KN-303
ZX11 Ninja	1100	KA-1093	
ZX11C Ninja	1198	KA-0004	

Vehicle	Engine Type	Air Filter	Oil Filter
1992 KAWASAKI			
KLF220 Bayou	215		KN-123
KLR650	650	KA-6589	
VN750 Vulcan	749	KA-7586	KN-202
VN1500 Vulcan 88	1500		KN-303
ZR750 Zephyr	750	KA-0850	

Vehicle	Engine Type	Air Filter	Oil Filter
1992 KAWASAKI			
ZX6 Ninja	600		KN-303
ZX7 Ninja	750		KN-303
ZX11C Ninja	1198	KA-0004	KN-401
ZZR1100	1100	KA-0004	

Vehicle	Engine Type	Air Filter	Oil Filter
1991 KAWASAKI			
KLF220 Bayou	215	KA-2288	KN-123
VN750 Vulcan	749	KA-7586	
ZX6 Ninja	600		KN-303
ZX7 Ninja	750		KN-303
ZX11C Ninja	1198	KA-0004	KN-401

Vehicle	Engine Type	Air Filter	Oil Filter
1990 KAWASAKI			
EN500 Vulcan	500	KA-5090	KN-303
EX400	400		KN-202
EX500	500	KA-5087	KN-303
KLR600	560	KA-0009	
VN750 Vulcan	749	KA-7586	
ZR550 Zephyr	550	KA-0850	
ZX6 Ninja	600		KN-303
ZX11C Ninja	1198	KA-0004	
ZX750 Ninja	750	KA-7587	
ZX1000 Ninja ZX-10	1000	KA-1088	KN-401
ZXR400	400	KA-4010	

Vehicle	Engine Type	Air Filter	Oil Filter
1989 KAWASAKI			
EN450	450		KN-202
EX500	500	KA-5087	KN-202
KLR600	600	KA-0009	
VN750 Vulcan	749	KA-7586	KN-202
VN1500 Vulcan 88	1500		KN-303
VN1500 Vulcan 88 SE	1500		KN-303
ZX1000 Ninja ZX-10	1000	KA-1088	KN-401

Vehicle	Engine Type	Air Filter	Oil Filter
1988 KAWASAKI			
KAF450 Mule 1000	450		KN-303
KLF220 Bayou	215		KN-123
KLF300 Bayou 2x4	290		KN-123
KLR600	600	KA-0009	
KLR650	650	KA-6589	KN-123
VN1500 Vulcan 88	1500		KN-303
VN1500 Vulcan 88 SE	1500		KN-303
ZX1000 Ninja ZX-10	1000	KA-1088	

Vehicle	Engine Type	Air Filter	Oil Filter
1987 KAWASAKI			
EX250R Ninja	250	KA-2586	KN-401
KLF300 Bayou 2x4	290		KN-123
KXF250 Tecate 4	250	KA-1780	
VN750 Vulcan	749	KA-7586	
VN1500 Vulcan 88	1500		KN-303
VN1500 Vulcan 88 SE	1500		KN-303
ZG1000 Concours	1000	KA-9084	
ZL1000 Eliminator	1000	KA-9084	
ZX600 Ninja	652	KA-0850	
ZX750 Ninja	750	KA-7587	

Vehicle	Engine Type	Air Filter	Oil Filter
1986 KAWASAKI			
EN450	450		KN-202
GPZ1000RX	1000	KA-0002	KN-401
KLF300 Bayou 2x4	290		KN-123
KXT250 Tecate	250	KA-1780	
VN750 Vulcan	749	KA-7586	KN-202
ZG1000 Concours	1000	KA-9084	KN-401
ZG1200 Voyager XII	1198		KN-401
ZL900 Eliminator	900	KA-9084	KN-401

* 2 filters required ♦ Intake System Available - see page 81 +Cabin Air Filter Available - see page 453 1- Pro Series Filter Available

KAWASAKI

AIR & OIL FILTERS

Vehicle	Engine Type	Air Filter	Oil Filter
---------	-------------	------------	------------

1986 KAWASAKI

ZX600 Ninja	652	KA-0850	KN-401
ZX1000R Ninja	1000	KA-0002	KN-401

1985 KAWASAKI

EN450	450		KN-202
GPZ900R	900		KN-401
KLR600	600		KN-123
VN700 Vulcan	700		KN-202
ZL900 Eliminator	900	KA-9084	KN-401
ZX600 Ninja	652	KA-0850	
ZX900 Ninja	900	KA-9084	

1984 KAWASAKI

GPZ750	750	KA-7583	KN-401
GPZ1100	1100	KA-1183	
KZ550 LTD	550	KA-0850	KN-401
KZ700	700	KA-7580	KN-401
KZ750K LTD Twin	750		KN-126
ZN700 LTD	700		KN-401
ZN1100B LTD	1100		KN-401
ZN1300 Voyager	1300	KA-0883	
ZX750 Turbo	750		KN-401
ZX900 Ninja	900	KA-9084	

1983 KAWASAKI

KLT200	200		KN-123
KZ440D	440		KN-401
KZ550H GP	550	KA-1700	KN-401
KZ650H CSR	650		KN-401
KZ650H CSR	650 - US	KA-7580	KN-401
KZ750F LTD	750	KA-7583	KN-401
KZ750H LTD	750	KA-7580	KN-401
KZ750K LTD Twin	750	KA-7500	KN-126

1982 KAWASAKI

KZ440A	440		KN-401
KZ440D	440		KN-401
KZ440G	440		KN-401
KZ550C LTD	550	KA-0850	KN-401
KZ750E	750	KA-7580	KN-401
KZ750H LTD	750	KA-7580	KN-401
KZ750M CSR Twin	750	KA-7500	KN-126
KZ750N Spectre	750	KA-7583	KN-401
KZ1000J	1000		KN-401
KZ1000K LTD	1000	KA-1600	KN-401
KZ1100A	1100	KA-1600	KN-401
Z1000 LTD	1000		KN-303

1981 KAWASAKI

GPZ550	550		KN-401
KZ440A	440		KN-401
KZ440B	440		KN-401
KZ440D	440		KN-401
KZ550A	550	KA-0850	KN-401
KZ550C LTD	550	KA-0850	KN-401
KZ650H CSR	650	KA-7580	KN-401
KZ750E	750	KA-7580	KN-401
KZ750H LTD	750	KA-7580	KN-401
KZ1000 LTD	1000	KA-1600	KN-401
KZ1000M CSR	1000	KA-1600	KN-401
KZ1100A	1100		KN-401
KZ1300	1300	KA-1350	
Z440 LTD	440		KN-401

1980 KAWASAKI

KZ250	250		KN-123
KZ440A	440		KN-401

Vehicle	Engine Type	Air Filter	Oil Filter
---------	-------------	------------	------------

1980 KAWASAKI

KZ440B	440		KN-401
KZ550C LTD	550	KA-0850	KN-401
KZ750E	750	KA-7580	KN-401
KZ750G LTD Twin	750		KN-126
KZ750H LTD	750	KA-7580	KN-401
KZ1000 LTD	1000	KA-8077	KN-126
KZ1000E	1000	KA-1150	KN-126

1979 KAWASAKI

KZ400B	400		KN-401
KZ400H	400		KN-401
KZ650B	650	KA-1200	KN-401
KZ650D SR	650	KA-1200	KN-401
KZ750 Twin	750	KA-0750	KN-126
KZ1000 LTD	1000	KA-8077	KN-126
KZ1000A	1000	KA-8077	KN-126
KZ1000E	1000	KA-1150	KN-126
KZ1300	1300	KA-1350	

1978 KAWASAKI

KL250	250		KN-123
KZ400B	400		KN-401
KZ650B	650	KA-1200	KN-401
KZ650C Custom	650		KN-401
KZ650D SR	650	KA-1200	KN-401
KZ1000 LTD	1000	KA-8077	KN-126
KZ1000A	1000	KA-8077	KN-126
KZ1000D Z1-R	1000		KN-126

1977 KAWASAKI

KZ650B	650	KA-1200	KN-401
KZ650C Custom	650		KN-401
KZ1000 LTD	1000	KA-8077	KN-126
KZ1000A	1000	KA-8077	KN-126

1976 KAWASAKI

KZ400D	400	KA-1200	KN-401
KZ750 Twin	750	KA-0750	KN-126
KZ900A	900	KA-8076	KN-126
KZ900B LTD	900	KA-8076	KN-126

1975 KAWASAKI

H1 Mach III	500	KA-1000	
H2 Mach IV	750	KA-1100	
KZ400D	400	KA-1150	KN-401
Z1	900	KA-0800	KN-126

1974 KAWASAKI

H1 Mach III	500	KA-1000	
H2 Mach IV	750	KA-1100	
KZ400D	400		KN-401
Z1	900	KA-0800	KN-126

1973 KAWASAKI

H1 Mach III	500	KA-1000	
H2 Mach IV	750	KA-1100	
Z1	900	KA-0800	KN-126

1972 KAWASAKI

H1 Mach III	500	KA-1000	
H2 Mach IV	750	KA-1100	

1969 KAWASAKI

H1 Mach III	500	KA-1000	
-------------	-----	---------	--

2016 KIA

Soul	1.6L L4 DSL	33-2472	
Soul	1.6L L4 F/I	33-2472	
Soul	2.0L L4 F/I	33-2472	♦

* 2 filters required ♦ Intake System Available - see page 81 +Cabin Air Filter Available - see page 453 1- Pro Series Filter Available

AIR & OIL FILTERS

KIA

Vehicle	Engine Type	Air Filter	Oil Filter
2015 KIA			
Cadenza	3.3L V6 F/I	33-2448+	PS-7030
cee d	1.6L L4 F/I - Exc. Turbo	33-2451	
Forte	1.6L L4 F/I		HP-1004 ¹
Forte	1.8L L4 F/I	33-2451+	HP-1004 ¹
Forte	2.0L L4 F/I	33-2451+	HP-1004 ¹
Forte Koup	1.6L L4 F/I	33-3008+	HP-1004 ¹
Forte Koup	2.0L L4 F/I	33-2451+	HP-1004 ¹
Forte5	1.6L L4 F/I	33-3008	
K900	5.0L V8 F/I		PS-7029
Optima	1.7L L4 DSL	33-2448	
Optima	2.0L L4 F/I	33-2448	HP-1004 ¹
Optima	2.4L L4 F/I	33-2448 ♦	HP-1004 ¹
Picanto	1.0L L3 F/I	33-3000	
Picanto	1.2L L4 F/I	33-3000	
Rio	1.6L L4 F/I	33-2472+	HP-1004 ¹
Rio III	1.2L L4 F/I	33-3009+	
Rio III	1.4L L4 DSL	33-2472+	
Rio III	1.4L L4 F/I	33-2472+	
Rio III	1.6L L4 F/I	33-2472	HP-1004 ¹
Rio5	1.6L L4 F/I	33-2472	HP-1004 ¹
Rondo	2.0L L4 F/I		HP-1004 ¹
Sedona	3.3L V6 F/I		PS-7030
Sedona	3.5L V6 F/I		PS-7030
Sorento	2.4L L4 F/I	33-2493	HP-1004 ¹
Sorento	3.3L V6 F/I	33-2493	PS-7030
Soul	1.6L L4 DSL	33-2472	
Soul	1.6L L4 F/I	33-2472	HP-1004 ¹
Soul	2.0L L4 F/I	33-2472 ♦	HP-1004 ¹
Sportage	1.6L L4 F/I	33-2451	
Sportage	1.7L L4 DSL	33-2451	
Sportage	2.0L L4 DSL	33-2451	
Sportage	2.0L L4 F/I		HP-1004 ¹
Sportage	2.0L L4 F/I - Non-US	33-2451+	HP-1004
Sportage	2.0L L4 F/I - US	33-2469+	HP-1004
Sportage	2.4L L4 F/I	33-2451+	HP-1004 ¹

2014 KIA			
Cadenza	3.3L V6 F/I	33-2448+	PS-7030
cee d	1.6L L4 DSL	33-3008	
cee d	1.6L L4 F/I - Exc. Turbo	33-2451	
cee d	1.6L L4 F/I - Turbo	33-3008	
Forte	1.6L L4 F/I		HP-1004 ¹
Forte	1.8L L4 F/I	33-2451	HP-1004 ¹
Forte	2.0L L4 F/I	33-2451 ♦	HP-1004 ¹
Forte Koup	1.6L L4 F/I	33-3008	HP-1004 ¹
Forte Koup	2.0L L4 F/I	33-2451 ♦	HP-1004 ¹
Forte5	1.6L L4 F/I	33-3008	HP-1004 ¹
Optima	1.7L L4 DSL	33-2448	
Optima	2.0L L4 F/I	33-2448 ♦+	HP-1004 ¹
Optima	2.4L L4 F/I	33-2448 ♦+	HP-1004 ¹
Picanto	1.0L L3 F/I	33-3000	
Rio	1.6L L4 F/I	33-2472+	HP-1004 ¹
Rio III	1.1L L4 DSL	33-2472+	
Rio III	1.2L L4 F/I	33-3009+	
Rio III	1.4L L4 DSL	33-2472+	
Rio III	1.4L L4 F/I	33-2472+	
Rio III	1.6L L4 F/I	33-2472+	HP-1004 ¹
Rio5	1.6L L4 F/I	33-2472	HP-1004 ¹
Rondo	2.0L L4 F/I		HP-1004 ¹
Sedona	3.5L V6 F/I	33-2368+	PS-7030
Sorento	2.4L L4 F/I	33-2493+	HP-1004 ¹
Sorento	3.3L V6 F/I	33-2493+	PS-7030
Soul	1.6L L4 DSL	33-2472	
Soul	1.6L L4 F/I	33-2472	HP-1004 ¹
Soul	2.0L L4 F/I	33-2472 ♦	HP-1004 ¹

Vehicle	Engine Type	Air Filter	Oil Filter
2014 KIA			
Sportage	1.6L L4 F/I	33-2451	
Sportage	1.7L L4 DSL	33-2451	
Sportage	2.0L L4 DSL	33-2451	
Sportage	2.0L L4 F/I		HP-1004 ¹
Sportage	2.0L L4 F/I - Non-US	33-2451+	HP-1004
Sportage	2.0L L4 F/I - US	33-2469+	HP-1004
Sportage	2.4L L4 F/I	33-2451+	HP-1004 ¹

2013 KIA			
cee d	1.4L L4 F/I	33-2451	
cee d	1.6L L4 DSL	33-3008	
cee d	1.6L L4 F/I - Exc. Turbo	33-2451	
cee d	1.6L L4 F/I - Turbo	33-3008	
Forte	2.0L L4 F/I	33-2380 ♦+	HP-1004 ¹
Forte	2.4L L4 F/I	33-2380+	HP-1004 ¹
Forte Koup	2.0L L4 F/I	33-2380+	HP-1004 ¹
Forte Koup	2.4L L4 F/I	33-2380 ♦+	HP-1004 ¹
Forte5	2.0L L4 F/I	33-2380 ♦+	HP-1004 ¹
Forte5	2.4L L4 F/I	33-2380+	HP-1004 ¹
Optima	1.7L L4 DSL	33-2448	
Optima	2.0L L4 F/I	33-2448 ♦+	HP-1004 ¹
Optima	2.4L L4 F/I	33-2448 ♦+	HP-1004 ¹
Picanto	1.2L L4 F/I	33-3000	
Rio	1.6L L4 F/I	33-2472+	HP-1004 ¹
Rio III	1.1L L4 DSL	33-2472+	
Rio III	1.4L L4 DSL	33-2472+	
Rio III	1.4L L4 F/I	33-2472+	
Rio III	1.6L L4 F/I	33-2472+	HP-1004 ¹
Rio5	1.6L L4 F/I	33-2472	HP-1004 ¹
Sedona	3.5L V6 F/I	33-2368	
Sorento	2.4L L4 F/I	33-2448+	HP-1004 ¹
Sorento	3.5L V6 F/I	33-2448+	PS-7030
Soul	1.6L L4 DSL	33-2960	
Soul	1.6L L4 F/I	33-2472	HP-1004 ¹
Soul	2.0L L4 F/I	33-2472 ♦	HP-1004 ¹
Sportage	1.6L L4 F/I	33-2451	
Sportage	1.7L L4 DSL	33-2451	
Sportage	2.0L L4 DSL	33-2451	
Sportage	2.0L L4 F/I		HP-1004 ¹
Sportage	2.0L L4 F/I - Non-US	33-2451+	HP-1004
Sportage	2.0L L4 F/I - US	33-2469+	HP-1004
Sportage	2.4L L4 F/I	33-2451+	HP-1004 ¹

2012 KIA			
cee d	1.6L L4 F/I - from 5/12	33-2451	
Forte	2.0L L4 F/I	33-2380 ♦+	HP-1004 ¹
Forte	2.4L L4 F/I	33-2380+	HP-1004 ¹
Forte Koup	2.0L L4 F/I	33-2380+	HP-1004 ¹
Forte Koup	2.4L L4 F/I	33-2380 ♦+	HP-1004 ¹
Forte5	2.0L L4 F/I	33-2380+	HP-1004 ¹
Forte5	2.4L L4 F/I	33-2380+	HP-1004 ¹
Optima	1.7L L4 DSL	33-2448	
Optima	2.0L L4 F/I	33-2448 ♦+	HP-1004 ¹
Optima	2.4L L4 F/I	33-2448+	HP-1004 ¹
Picanto	1.2L L4 F/I	33-3000	
Rio	1.6L L4 F/I	33-2472+	HP-1004 ¹
Rio III	1.1L L4 DSL	33-2472+	
Rio III	1.4L L4 DSL	33-2472+	
Rio III	1.4L L4 F/I	33-2472+	
Rio III	1.6L L4 F/I	33-2472+	HP-1004 ¹
Rio5	1.6L L4 F/I	33-2472+	HP-1004 ¹
Sedona	3.5L V6 F/I	33-2368+	PS-7030
Sorento	2.2L L4 DSL	33-2969	
Sorento	2.4L L4 F/I	33-2448+	HP-1004 ¹
Sorento	3.5L V6 F/I	33-2448+	PS-7030

* 2 filters required ♦ Intake System Available - see page 81 +Cabin Air Filter Available - see page 453 1- Pro Series Filter Available

KIA

AIR & OIL FILTERS

Vehicle	Engine Type	Air Filter	Oil Filter	Vehicle	Engine Type	Air Filter	Oil Filter
2012 KIA				2010 KIA			
Soul	1.6L L4 DSL	33-2960		Sedona	3.8L V6 F/I	33-2368+	PS-7029
Soul	1.6L L4 F/I	33-2472	HP-1004 ¹	Sorento	2.2L L4 DSL	33-2969	
Soul	2.0L L4 F/I	33-2472 ♦	HP-1004 ¹	Sorento	2.4L L4 F/I	33-2448	
Sportage	1.6L L4 F/I	33-2451		Sorento	3.5L V6 F/I	33-2448	
Sportage	1.7L L4 DSL	33-2451		Soul	1.6L L4 DSL	33-2960	
Sportage	2.0L L4 DSL	33-2451		Soul	1.6L L4 F/I	33-2960	HP-1004 ¹
Sportage	2.0L L4 F/I		HP-1004 ¹	Soul	2.0L L4 F/I	33-2960 ♦	HP-1004 ¹
Sportage	2.0L L4 F/I - Non-US	33-2451+	HP-1004	Sportage	2.0L L4 DSL	33-2201+	
Sportage	2.0L L4 F/I - US	33-2469+	HP-1004	Sportage	2.0L L4 F/I		HP-1004 ¹
Sportage	2.4L L4 F/I	33-2451+	HP-1004 ¹	Sportage	2.0L L4 F/I - Non-US, from 5/10	33-2451+	HP-1004
2011 KIA				2009 KIA			
Forte	2.0L L4 F/I	33-2380 ♦+	HP-1004 ¹	Sportage	2.0L L4 F/I - US	33-2201+	HP-1004
Forte	2.4L L4 F/I	33-2380+	HP-1004 ¹	Sportage	2.7L V6 F/I	33-2201+	HP-1008 ¹
Forte Koup	2.0L L4 F/I	33-2380+	HP-1004 ¹	2008 KIA			
Forte Koup	2.4L L4 F/I	33-2380 ♦+	HP-1004 ¹	Amanti	3.8L V6 F/I	33-2390	
Optima	2.0L L4 F/I	33-2448 ♦+	HP-1004 ¹	cee d	1.6L L4 DSL	33-2380	
Optima	2.4L L4 F/I	33-2448+	HP-1004 ¹	cee d	1.6L L4 F/I	33-2380 ♦	
Picanto	1.1L L4 F/I - to 3/11	33-2930		Optima	2.4L L4 F/I	33-2934+	HP-1004 ¹
Picanto	1.2L L4 F/I	33-3000		Optima	2.7L V6 F/I	33-2934+	HP-1008 ¹
Rio	1.6L L4 F/I		HP-1004 ¹	Picanto	1.0L L4 F/I	33-2930	
Rio	1.6L L4 F/I - US	33-2354+	HP-1004	Picanto	1.6L L4 F/I		HP-1004 ¹
Rio II	1.4L L4 F/I - from 8/11	33-2472+		Rio	1.6L L4 F/I - US	33-2354+	HP-1004
Rio II	1.4L L4 F/I - to 7/11	33-2354+		Rio II	1.4L L4 F/I	33-2354+	
Rio II	1.6L L4 F/I		HP-1004 ¹	Rio II	1.6L L4 F/I		HP-1004 ¹
Rio II	1.6L L4 F/I - Non-US, from 8/11	33-2472+	HP-1004	Rio II	1.6L L4 F/I - Non-US	33-2196+	HP-1004
Rio II	1.6L L4 F/I - Non-US, to 7/11	33-2354+	HP-1004	Rio5	1.6L L4 F/I	33-2354+	HP-1004 ¹
Rio III	1.4L L4 DSL	33-2472+		Rondo	2.4L L4 F/I	33-2934+	HP-1004 ¹
Rio III	1.4L L4 F/I - from 8/11	33-2472+		Rondo	2.7L V6 F/I	33-2934+	HP-1008 ¹
Rio III	1.4L L4 F/I - to 7/11	33-2354+		Sedona	3.8L V6 F/I	33-2368+	
Rio III	1.6L L4 F/I		HP-1004 ¹	Sedona	3.8L V6 F/I - w/5 Inch Tall Filter	33-2368	PS-7022
Rio III	1.6L L4 F/I - Non-US, from 8/11	33-2472+	HP-1004	Sorento	2.2L L4 DSL	33-2969	
Rio III	1.6L L4 F/I - Non-US, to 7/11	33-2354+	HP-1004	Sorento	3.3L V6 F/I	33-2271	PS-7029
Rio5	1.6L L4 F/I	33-2354+	HP-1004 ¹	Sorento	3.8L V6 F/I	33-2271	PS-7029
Sedona	3.5L V6 F/I	33-2368+	PS-7030	Soul	1.6L L4 DSL	33-2960	
Sedona	3.8L V6 F/I	33-2368		Soul	1.6L L4 F/I	33-2960	
Sorento	2.2L L4 DSL	33-2969		Spectra	2.0L L4 F/I	33-2201+	HP-1004 ¹
Sorento	2.4L L4 F/I	33-2448+	HP-1004 ¹	Spectra5	2.0L L4 F/I	33-2201+	HP-1004 ¹
Sorento	3.5L V6 F/I	33-2448+	PS-7030	Sportage	2.0L L4 DSL	33-2201+	
Soul	1.6L L4 DSL	33-2960		Sportage	2.0L L4 F/I	33-2201+	HP-1004 ¹
Soul	1.6L L4 F/I	33-2960	HP-1004 ¹	Sportage	2.7L V6 F/I	33-2201+	HP-1008 ¹
Soul	2.0L L4 F/I	33-2960 ♦	HP-1004 ¹	2007 KIA			
Sportage	1.6L L4 F/I	33-2451		Amanti	3.8L V6 F/I	33-2390	
Sportage	1.7L L4 DSL	33-2451		cee d	1.6L L4 DSL	33-2380	
Sportage	2.0L L4 F/I		HP-1004 ¹	cee d	1.6L L4 F/I	33-2380 ♦	
Sportage	2.0L L4 F/I - Non-US	33-2451+	HP-1004	Optima	2.4L L4 F/I	33-2934+	HP-1004 ¹
Sportage	2.0L L4 F/I - US	33-2469+	HP-1004	Optima	2.7L V6 F/I	33-2934+	HP-1008 ¹
Sportage	2.4L L4 F/I	33-2451+	HP-1004 ¹	Picanto	1.0L L4 F/I	33-2930	
2010 KIA				Picanto	1.6L L4 F/I		HP-1004 ¹
Borrego	3.8L V6 F/I	33-2447+		Rio	1.6L L4 F/I - US	33-2354+	HP-1004
cee d	1.6L L4 DSL	33-2380		Rio II	1.4L L4 F/I	33-2354+	
cee d	1.6L L4 F/I	33-2380 ♦		Rio II	1.6L L4 F/I		HP-1004 ¹
Forte	2.0L L4 F/I	33-2380 ♦+	HP-1004 ¹	Rio II	1.6L L4 F/I - Non-US	33-2196+	HP-1004
Forte	2.4L L4 F/I	33-2380+	HP-1004 ¹	Rio5	1.6L L4 F/I	33-2354+	HP-1004 ¹
Forte Koup	2.0L L4 F/I	33-2380+	HP-1004 ¹	Rondo	2.4L L4 F/I	33-2934+	HP-1004 ¹
Forte Koup	2.4L L4 F/I	33-2380 ♦+	HP-1004 ¹	Rondo	2.7L V6 F/I	33-2934+	HP-1008 ¹
Optima	2.4L L4 F/I	33-2934+	HP-1004 ¹	Sedona	3.8L V6 F/I	33-2368+	
Optima	2.7L V6 F/I	33-2934+		Sedona	3.8L V6 F/I - w/5 Inch Tall Filter	33-2368	PS-7022
Rio	1.6L L4 F/I	33-2354+	HP-1004 ¹	Sorento	2.5L L4 DSL	33-2271	
Rio II	1.4L L4 F/I	33-2354+		Sorento	3.3L V6 F/I	33-2271	
Rio II	1.6L L4 F/I	33-2354+	HP-1004 ¹	Sorento	3.3L V6 F/I - w/4 Inch Tall Filter	33-2271	PS-7029
Rio5	1.6L L4 F/I	33-2354+	HP-1004 ¹	Sorento	3.3L V6 F/I - w/5 Inch Tall Filter	33-2271	PS-7022
				Sorento	3.8L V6 F/I	33-2271	

* 2 filters required ♦ Intake System Available - see page 81 +Cabin Air Filter Available - see page 453 1- Pro Series Filter Available

AIR & OIL FILTERS

KIA

Vehicle	Engine Type	Air Filter	Oil Filter
2008 KIA			
Sorento	3.8L V6 F/I - w/4 Inch Tall Filter	33-2271	PS-7029
Sorento	3.8L V6 F/I - w/5 Inch Tall Filter	33-2271	PS-7022
Soul	1.6L L4 DSL	33-2960	
Soul	1.6L L4 F/I	33-2960	
Spectra	2.0L L4 F/I	33-2201 ♦+	HP-1004 ¹
Spectra5	2.0L L4 F/I	33-2201+	HP-1004 ¹
Sportage	2.0L L4 DSL	33-2201+	
Sportage	2.0L L4 F/I	33-2201+	HP-1004 ¹
Sportage	2.7L V6 F/I	33-2201+	HP-1008 ¹

Vehicle	Engine Type	Air Filter	Oil Filter
2007 KIA			
Amanti	3.8L V6 F/I	33-2390	
Optima	2.4L L4 F/I	33-2934+	HP-1004 ¹
Optima	2.7L V6 F/I	33-2934+	HP-1008 ¹
Picanto	1.1L L4 DSL - OEM 2811307100	33-2930	
Picanto	1.1L L4 F/I	33-2930	
Rio	1.6L L4 F/I		HP-1004 ¹
Rio	1.6L L4 F/I - US	33-2354+	HP-1004
Rio II	1.4L L4 F/I	33-2354+	
Rio II	1.6L L4 F/I		HP-1004 ¹
Rio II	1.6L L4 F/I - Non-US	33-2196+	HP-1004
Rio5	1.6L L4 F/I	33-2354+	HP-1004 ¹
Rondo	2.4L L4 F/I	33-2934+	
Rondo	2.7L V6 F/I	33-2934+	HP-1008 ¹
Sedona	3.8L V6 F/I	33-2368+	PS-7022
Sorento	3.3L V6 F/I	33-2271	
Sorento	3.8L V6 F/I	33-2271	
Sorento	3.8L V6 F/I - w/5 Inch Tall Filter	33-2271	PS-7022
Spectra	2.0L L4 F/I	33-2201 ♦+	HP-1004 ¹
Spectra5	2.0L L4 F/I	33-2201+	HP-1004 ¹
Sportage	2.0L L4 DSL	33-2201+	
Sportage	2.0L L4 F/I	33-2201+	HP-1004 ¹
Sportage	2.7L V6 F/I	33-2201+	HP-1008 ¹

Vehicle	Engine Type	Air Filter	Oil Filter
2006 KIA			
Amanti	3.5L V6 F/I	33-2199	
Optima	2.4L L4 F/I		HP-1004 ¹
Optima	2.4L L4 F/I - VIN 3	33-2934+	HP-1004
Optima	2.4L L4 F/I - VIN 6	33-2188+	HP-1004
Optima	2.7L V6 F/I		HP-1008 ¹
Optima	2.7L V6 F/I - After 9/30/05	33-2934+	HP-1008
Optima	2.7L V6 F/I - Before 9/30/05	33-2188+	HP-1008
Rio	1.6L L4 F/I	33-2354+	HP-1004 ¹
Rio	1.6L L4 F/I - Non-US	33-2196+	HP-1004
Rio II	1.4L L4 F/I	33-2354+	
Rio II	1.6L L4 F/I	33-2354+	HP-1004 ¹
Rio II	1.6L L4 F/I - Non-US	33-2196+	HP-1004
Rio5	1.6L L4 F/I	33-2354+	HP-1004 ¹
Sedona	3.8L V6 F/I	33-2368+	PS-7022
Sorento	2.4L L4 F/I	33-2271	
Sorento	2.5L L4 DSL	33-2271	
Sorento	3.3L V6 F/I	33-2271	
Sorento	3.5L V6 F/I	33-2271	HP-1004 ¹
Spectra	2.0L L4 F/I	33-2201 ♦+	HP-1004 ¹
Spectra5	2.0L L4 F/I	33-2201 ♦+	HP-1004 ¹
Sportage	2.0L L4 DSL	33-2201+	
Sportage	2.0L L4 F/I	33-2201+	HP-1004 ¹
Sportage	2.7L V6 F/I	33-2201+	HP-1008 ¹

Vehicle	Engine Type	Air Filter	Oil Filter
2005 KIA			
Amanti	3.5L V6 F/I	33-2199	HP-1004 ¹
Optima	2.4L L4 F/I	33-2188+	HP-1004 ¹

Vehicle	Engine Type	Air Filter	Oil Filter
2005 KIA			
Optima	2.7L V6 F/I	33-2188+	HP-1008 ¹
Picanto	1.1L L4 DSL - OEM 2811307100	33-2930	
Picanto	1.1L L4 F/I	33-2930	
Rio	1.6L L4 F/I	33-2196	HP-1008 ¹
Rio II	1.6L L4 F/I	33-2196+	HP-1008 ¹
Sedona	3.5L V6 F/I	33-2268	HP-1004 ¹
Sorento	2.4L L4 F/I	33-2271	
Sorento	2.5L L4 DSL	33-2271	
Sorento	3.5L V6 F/I	33-2271	HP-1004 ¹
Spectra	2.0L L4 F/I	33-2201 ♦+	HP-1004 ¹
Spectra5	2.0L L4 F/I	33-2201 ♦+	HP-1004 ¹
Sportage	2.0L L4 DSL	33-2201+	
Sportage	2.0L L4 F/I	33-2201+	
Sportage	2.7L V6 F/I	33-2201+	HP-1008 ¹

Vehicle	Engine Type	Air Filter	Oil Filter
2004 KIA			
Amanti	3.5L V6 F/I	33-2199	HP-1004 ¹
Optima	2.4L L4 F/I	33-2188	HP-1004 ¹
Optima	2.7L V6 F/I	33-2188	HP-1008 ¹
Rio	1.6L L4 F/I	33-2196	HP-1008 ¹
Sedona	3.5L V6 F/I	33-2268	HP-1004 ¹
Sorento	3.5L V6 F/I	33-2271	HP-1004 ¹
Spectra	1.8L L4 F/I	33-2169	HP-1008 ¹
Spectra	2.0L L4 F/I		HP-1004 ¹
Sportage	2.0L L4 DSL	33-2168	
Sportage	2.0L L4 F/I	33-2168	

Vehicle	Engine Type	Air Filter	Oil Filter
2003 KIA			
Optima	2.7L V6 F/I	33-2188	HP-1008 ¹
Rio	1.6L L4 F/I	33-2196	HP-1008 ¹
Sedona	3.5L V6 F/I	33-2268	HP-1004 ¹
Sorento	2.4L L4 F/I	33-2271	
Sorento	3.5L V6 F/I	33-2271	HP-1004 ¹
Spectra	1.8L L4 F/I	33-2169	HP-1008 ¹
Sportage	2.0L L4 F/I	33-2168	

Vehicle	Engine Type	Air Filter	Oil Filter
2002 KIA			
Optima	2.4L L4 F/I	33-2188	HP-1004 ¹
Rio	1.3L L4 F/I	33-2196	
Rio	1.5L L4 F/I	33-2196	HP-1008 ¹
Sedona	3.5L V6 F/I	33-2268	HP-1004 ¹
Spectra	1.8L L4 F/I	33-2169	HP-1008 ¹
Sportage	2.0L L4 F/I	33-2168	HP-1006

Vehicle	Engine Type	Air Filter	Oil Filter
2001 KIA			
Rio	1.5L L4 F/I	33-2196	HP-1008 ¹
Sephia	1.8L L4 F/I	33-2169	HP-1008 ¹
Spectra	1.8L L4 F/I	33-2169	HP-1008 ¹
Sportage	2.0L L4 F/I	33-2168	HP-1006

Vehicle	Engine Type	Air Filter	Oil Filter
2000 KIA			
Sephia	1.8L L4 F/I	33-2169	HP-1008 ¹
Sportage	2.0L L4 F/I	33-2168	HP-1006

Vehicle	Engine Type	Air Filter	Oil Filter
1999 KIA			
Sportage	2.0L L4 F/I	33-2168	

Vehicle	Engine Type	Air Filter	Oil Filter
1997 KIA			
Sephia	1.8L L4 F/I	33-2169	

Vehicle	Engine Type	Air Filter	Oil Filter
2015 KTM			
125 SX	124		KT-4511XD
150 SX	144		KT-4511XD
200 XC-W	193		KT-4511XD
250 SX	249		KT-4511XD
250 SX-F	249		KN-652
250 XC-F	249		KN-652
250 XCF-W	249		KN-652

* 2 filters required ♦ Intake System Available - see page 81 +Cabin Air Filter Available - see page 453 1- Pro Series Filter Available

KTM

AIR & OIL FILTERS

Vehicle	Engine Type	Air Filter	Oil Filter	Vehicle	Engine Type	Air Filter	Oil Filter
2015 KTM				2013 KTM			
250 XC-W	249	KT-4511XD		250 SX	249	KT-4511XD	
300 XC-W	293	KT-4511XD		250 SX-F	249		KN-652
350 EXC-F	350		KN-652	250 XC-F	249		KN-652
350 SX-F	349		KN-652	250 XCF-W	249	KT-4511XD	KN-655
350 XC-F	350		KN-652	250 XC-W	249	KT-4511XD	
350 XCF-W	350		KN-652	300 XC	293	KT-4511XD	
390 Duke	390	KT-1211	KN-155	300 XC-W	293	KT-4511XD	
450 EXC	449	KT-4511XD		350 EXC-F	350		KN-652
450 EXC Six Days	449	KT-4511XD		350 SX-F	349		KN-652
450 SX-F	449		KN-655	350 XC-F	350		KN-652
450 SX-F Factory Edition	449		KN-652	350 XCF-W	350		KN-652
450 XC-F	450		KN-655	390 Duke	390	KT-1211	
450 XC-W	449	KT-4511XD	KN-655	450 SX-F	449		KN-655
500 EXC	510	KT-4511XD	KN-655	450 SX-F Factory Edition	449		KN-655
500 XC-W	510	KT-4511XD	KN-655	450 XC-F	450		KN-655
690 Duke	690	KT-6912		450 XC-W	449	KT-4511XD	KN-655
690 Duke	690 - Short Filter	KT-6912	KN-651	500 EXC	510	KT-4511XD	KN-655
690 Duke	690 - Tall Filter	KT-6912	KN-155	500 XC-W	510	KT-4511XD	KN-655
690 Enduro R	690 - Short Filter		KN-651	690 Duke	690	KT-6912	
690 Enduro R	690 - Tall Filter		KN-155	690 Duke	690 - Short Filter	KT-6912	KN-651
1190 Adventure	1195		KN-158	690 Duke	690 - Tall Filter	KT-6912	KN-155
1190 Adventure R	1195		KN-158	690 Enduro R	690	KT-6908	
1190 RC8R	1190		KN-158	690 Enduro R	690 - Short Filter	KT-6908	KN-651
1290 Super Adventure	1301		KN-158	690 Enduro R	690 - Tall Filter	KT-6908	KN-155
1290 Super Duke R RC390	1301 373		KN-158 KT-1211	990 Adventure	999	KT-9907	KN-158
				990 SMT	999	KT-9907	KN-158
				990 Supermoto T	999	KT-9907	
				1190 Adventure	1195	KT-1113	KN-158
				1190 Adventure R	1195	KT-1113	KN-158
				1190 RC8R	1190	KT-1108	KN-158
2014 KTM				2012 KTM			
125 Duke	125	KT-1211		125 Duke	125	KT-1211	KN-155
200 Duke	200	KT-1211	KN-155	200 Duke	200	KT-1211	KN-155
200 XC-W	193	KT-4511XD		250 SX-F	249	KT-4511XD	KN-655
250 SX-F	249	KT-4511XD	KN-652	250 XC-F	249	KT-4511XD	KN-655
250 XC-F	249		KN-652	250 XCF-W	249	KT-4511XD	KN-655
250 XCF-W	249		KN-652	300 XC-W	293	KT-4511XD	
250 XC-W	249	KT-4511XD		350 EXC-F	350		KN-652
300 XC-W	293	KT-4511XD		350 SX-F	349		KN-652
350 EXC-F	350		KN-652	350 XC-F	350		KN-652
350 SX-F	349		KN-652	350 XCF-W	350		KN-652
350 XC-F	350		KN-652	450 SMR	449		KN-652
350 XCF-W	350		KN-652	450 SX-F	449	KT-4511XD	KN-652
390 Duke	390	KT-1211		450 SX-F Factory Edition	449	KT-4511XD	KN-652
450 SX-F	449		KN-655	450 XC-W	449	KT-4511XD	KN-655
450 SX-F Factory Edition	449		KN-655	500 EXC	510	KT-4511XD	KN-655
450 XC-F	450		KN-655	500 EXC Six Days	510	KT-4511XD	KN-655
450 XC-W	449	KT-4511XD	KN-655	500 XC-W	510	KT-4511XD	KN-655
500 EXC	510	KT-4511XD	KN-655	690 Duke	690 - Short Filter		KN-155
500 XC-W	510	KT-4511XD	KN-655	690 Enduro R	690	KT-6908	
690 Duke	690	KT-6912		690 Enduro R	690 - Short Filter	KT-6908	KN-651
690 Duke	690 - Short Filter	KT-6912	KN-651	690 Enduro R	690 - Tall Filter	KT-6908	KN-155
690 Duke	690 - Tall Filter	KT-6912	KN-155	990 Adventure	999	KT-9907	KN-158
690 Enduro R	690	KT-6908		990 Adventure R	999	KT-9907	KN-158
690 Enduro R	690 - Short Filter	KT-6908	KN-651	990 SMT	999	KT-9907	KN-158
690 Enduro R	690 - Tall Filter	KT-6908	KN-155	1190 RC8R	1190	KT-1108	KN-158
1190 Adventure	1195	KT-1113	KN-158				
1190 Adventure R	1195	KT-1113	KN-158				
1190 RC8R	1190	KT-1108	KN-158				
1290 Super Duke R RC200	1301 199	KT-1113	KN-158 KT-1211				
RC390	373	KT-1211					
2013 KTM				2011 KTM			
125 Duke	125	KT-1211	KN-155	250 SX-F	249	KT-4511XD	KN-655
200 Duke	200	KT-1211	KN-155	250 XC-F	249	KT-4511XD	KN-655
				250 XCF-W	249	KT-4511XD	KN-655
				300 XC-W	293	KT-4511XD	

* 2 filters required ♦ Intake System Available - see page 81 +Cabin Air Filter Available - see page 453 1- Pro Series Filter Available

AIR & OIL FILTERS

KTM

Vehicle	Engine Type	Air Filter	Oil Filter	Vehicle	Engine Type	Air Filter	Oil Filter
2011 KTM				2009 KTM			
350 SX-F	349		KN-652	530 EXC-R	530	KT-4511XD	KN-652
350 XC-F	350		KN-652	530 XC-W	530	KT-4511XD	KN-652
450 EXC Six Days	450		KN-652	690 Duke	690	KT-6907	
450 EXC-R	450		KN-652	690 Duke	690 - Short Filter	KT-6907	KN-157
450 SX-F	449	KT-4511XD	KN-652	690 Duke	690 - Tall Filter	KT-6907	KN-155
450 XC-W	449	KT-4511XD	KN-652	690 Enduro R	690	KT-6908	
530 EXC-R	530	KT-4511XD	KN-652	690 Enduro R	690 - Short Filter	KT-6908	KN-157
530 XC-W	530		KN-652	690 Enduro R	690 - Tall Filter	KT-6908	KN-155
690 Duke	690	KT-6907		690 SMC	690	KT-6908	
690 Duke	690 - Short Filter	KT-6907	KN-157	690 SMC	690 - Short Filter	KT-6908	KN-157
690 Duke	690 - Tall Filter	KT-6907	KN-155	690 SMC	690 - Tall Filter	KT-6908	KN-155
690 Enduro R	690	KT-6908		990 Adventure	999	KT-9907	
690 Enduro R	690 - Short Filter	KT-6908	KN-157	990 Adventure R	999	KT-9907	
690 Enduro R	690 - Tall Filter	KT-6908	KN-155	1190 RC8	1150	KT-1108	KN-158
990 Adventure	999	KT-9907	KN-158	2008 KTM			
990 Adventure Dakar Edition	999	KT-9907	KN-158	250 SX-F	249	KT-4511XD	KN-655
990 Adventure R	999	KT-9907	KN-158	250 XC-F	249	KT-4511XD	KN-655
990 Supermoto R	999	KT-9907		250 XCF-W	249	KT-4511XD	KN-655
1190 RC8	1190	KT-1108		250 XC-W	249	KT-4511XD	
1190 RC8R	1190	KT-1108	KN-158	300 XC-W	293	KT-4511XD	
2010 KTM				450 EXC-R	449	KT-4511XD	KN-652
250 SX-F	249	KT-4511XD	KN-655	450 SX-F	449	KT-4511XD	KN-652
250 XCF-W	249		KN-655	450 XC	449	KT-4511XD	
250 XC-W	249		KN-655	450 XC	449 - Short Filter	KT-4511XD	KN-157
400 XC-W	400		KN-652	450 XC	449 - Tall Filter	KT-4511XD	KN-155
450 EXC Six Days	450		KN-652	450 XC-F	449	KT-4511XD	KN-652
450 EXC-R	449		KN-652	450 XC-W	449		KN-652
450 SX-F	449	KT-4511XD	KN-652	505 SXF	505		KN-652
450 XC-W	449	KT-4511XD	KN-652	505 XCF	478	KT-4511XD	KN-652
530 EXC-R	530	KT-4511XD	KN-652	525 XC	525 - Short Filter		KN-157
530 XC-W	530	KT-4511XD	KN-652	525 XC	525 - Tall Filter		KN-155
690 Duke	690	KT-6907		530 EXC-R	530	KT-4511XD	KN-652
690 Duke	690 - Short Filter	KT-6907	KN-157	530 XC-W	530		KN-652
690 Duke	690 - Tall Filter	KT-6907	KN-155	690 Duke	690	KT-6907	
690 Enduro R	690	KT-6908		690 Duke	690 - Short Filter	KT-6907	KN-157
690 Enduro R	690 - Short Filter	KT-6908	KN-157	690 Duke	690 - Tall Filter	KT-6907	KN-155
690 Enduro R	690 - Tall Filter	KT-6908	KN-155	690 Enduro	690	KT-6908	
690 SMC	690	KT-6908		690 Enduro	690 - Short Filter	KT-6908	KN-157
690 SMC	690 - Short Filter	KT-6908	KN-157	690 Enduro	690 - Tall Filter	KT-6908	KN-155
690 SMC	690 - Tall Filter	KT-6908	KN-155	690 SMC	690	KT-6908	
990 Adventure	999	KT-9907		690 SMC	690 - Short Filter	KT-6908	KN-157
990 Adventure R	999	KT-9907	KN-158	690 SMC	690 - Tall Filter	KT-6908	KN-155
990 SMT	999	KT-9907		690 Supermoto	690	KT-6907	
990 Supermoto T	999	KT-9907		990 Adventure	999	KT-9907	KN-158
2009 KTM				990 Adventure S	999	KT-9907	
250 SX-F	249	KT-4511XD	KN-655	990 Super Duke	999	KT-9907	KN-158
250 XC-F	249	KT-4511XD	KN-655	990 Super Duke R	999		KN-158
250 XCF-W	249	KT-4511XD	KN-655	2007 KTM			
250 XC-W	249	KT-4511XD	KN-655	250 SX-F	249	KT-4511XD	KN-655
300 XC-W	293	KT-4511XD		250 XC-F	249	KT-5201	KN-655
400 XC-W	400	KT-4511XD	KN-652	250 XCF-W	249		KN-655
450 EXC-R	449	KT-4511XD	KN-652	400 XC-W	400 - Short Filter		KN-157
450 SMR	449		KN-652	400 XC-W	400 - Tall Filter		KN-155
450 SX-F	449	KT-4511XD	KN-652	450 EXC	450	KT-5201	
450 XC	450 - Short Filter		KN-157	450 EXC	450 - Short Filter	KT-5201	KN-157
450 XC	450 - Tall Filter		KN-155	450 EXC	450 - Tall Filter	KT-5201	KN-155
450 XC-F	449	KT-4511XD	KN-652	450 EXC Racing	450	KT-5201	
450 XC-W	449	KT-4511XD	KN-652	450 EXC Racing	450 - Short Filter	KT-5201	KN-157
505 SXF	505		KN-652	450 EXC Racing	450 - Tall Filter	KT-5201	KN-155
505 XCF	478	KT-4511XD	KN-652	450 SX-F	449	KT-4511XD	KN-652
525 XC	525 - Short Filter		KN-157	450 SXS	449		KN-652
525 XC	525 - Tall Filter		KN-155	450 XC-W	449	KT-5201	
				450 XC-W	449 - Short Filter	KT-5201	KN-157

* 2 filters required ♦ Intake System Available - see page 81 +Cabin Air Filter Available - see page 453 1- Pro Series Filter Available

Partial Listing - Complete List of Vehicles and Applications at knfilters.com

Vehicle	Engine Type	Air Filter	Oil Filter
2007 KTM			
450 XC-W	449 - Tall Filter	KT-5201	KN-155
525 EXC Racing	525	KT-5201	
525 EXC Racing	525 - Short Filter	KT-5201	KN-157
525 EXC Racing	525 - Tall Filter	KT-5201	KN-155
525 SX Racing	525 - Short Filter		KN-157
525 SX Racing	525 - Tall Filter		KN-155
525 XC-W	525	KT-5201	
525 XC-W	525 - Short Filter	KT-5201	KN-157
525 XC-W	525 - Tall Filter	KT-5201	KN-155
640 Adventure	640 - Short Filter		KN-155
640 Adventure	640 - Tall Filter		KN-156
690 Supermoto	690	KT-6907	
690 Supermoto	690 - Short Filter	KT-6907	KN-157
690 Supermoto	690 - Tall Filter	KT-6907	KN-655
950 Supermoto	942	KT-9504	
950 Supermoto R	942	KT-9504	KN-158
990 Adventure	999	KT-9907	KN-158
990 Adventure S	999	KT-9907	
990 Super Duke	999	KT-9907	KN-158

Vehicle	Engine Type	Air Filter	Oil Filter
2006 KTM			
250 SX-F	249	KT-5201	KN-655
450 EXC Racing	450 - Short Filter		KN-157
450 EXC Racing	450 - Tall Filter		KN-155
450 EXC-G Racing	450	KT-5201	
450 EXC-G Racing	450 - Short Filter	KT-5201	KN-157
450 EXC-G Racing	450 - Tall Filter	KT-5201	KN-155
450 SX	450	KT-5201	
450 SX	450 - Short Filter	KT-5201	KN-157
450 SX	450 - Tall Filter	KT-5201	KN-155
450 SX Racing	450 - Short Filter		KN-157
450 SX Racing	450 - Tall Filter		KN-155
450 SXS	450	KT-5201	
450 SXS	450 - Short Filter	KT-5201	KN-157
450 SXS	450 - Tall Filter	KT-5201	KN-155
450 XC-G Racing	450	KT-5201	
450 XC-G Racing	450 - Short Filter	KT-5201	KN-157
450 XC-G Racing	450 - Tall Filter	KT-5201	KN-155
525 EXC Racing	525 - Short Filter		KN-157
525 EXC Racing	525 - Tall Filter		KN-155
625 SMC	625 - Short Filter		KN-155
625 SMC	625 - Tall Filter		KN-156
640 Adventure	640 - Short Filter		KN-155
640 Adventure	640 - Tall Filter		KN-156
950 Adventure	942	KT-9504	KN-158
950 Adventure S	942	KT-9504	KN-158
950 Supermoto	942	KT-9504	KN-158
990 Super Duke	999		KN-158

Vehicle	Engine Type	Air Filter	Oil Filter
2005 KTM			
250 SX-F	249	KT-5201	KN-655
400 EXC	400 - Short Filter		KN-157
400 EXC	400 - Tall Filter		KN-155
450 EXC	450	KT-5201	
450 EXC	450 - Short Filter	KT-5201	KN-157
450 EXC	450 - Tall Filter	KT-5201	KN-155
450 MXC	450 - Short Filter		KN-157
450 MXC	450 - Tall Filter		KN-155
525 EXC	525	KT-5201	
525 EXC	525 - Short Filter	KT-5201	KN-157
525 EXC	525 - Tall Filter	KT-5201	KN-155
525 MXC	525	KT-5201	
525 MXC	525 - Short Filter	KT-5201	KN-157
525 MXC	525 - Tall Filter	KT-5201	KN-155
525 SX	525 - Short Filter		KN-157

Vehicle	Engine Type	Air Filter	Oil Filter
2005 KTM			
525 SX	525 - Tall Filter		KN-155
625 SMC	625 - Short Filter		KN-155
625 SMC	625 - Tall Filter		KN-156
640 Adventure	640 - Short Filter		KN-155
640 Adventure	640 - Tall Filter		KN-156
950 Adventure	942	KT-9504	KN-158
950 Adventure S	942	KT-9504	KN-158

Vehicle	Engine Type	Air Filter	Oil Filter
2004 KTM			
250 EXC	250 - Short Filter		KN-157
250 EXC	250 - Tall Filter		KN-155
400 EXC	400	KT-5201	
400 EXC	400 - Short Filter	KT-5201	KN-157
400 EXC	400 - Tall Filter	KT-5201	KN-155
450 EXC	450	KT-5201	
450 EXC	450 - Short Filter	KT-5201	KN-157
450 EXC	450 - Tall Filter	KT-5201	KN-155
450 SX Racing	450	KT-5201	
450 SX Racing	450 - Short Filter	KT-5201	KN-157
450 SX Racing	450 - Tall Filter	KT-5201	KN-155
525 EXC Racing	525	KT-5201	
525 EXC Racing	525 - Short Filter	KT-5201	KN-157
525 EXC Racing	525 - Tall Filter	KT-5201	KN-155
625 SMC	625 - Short Filter		KN-155
625 SMC	625 - Tall Filter		KN-156
625 SXC	625 - Short Filter		KN-157
625 SXC	625 - Tall Filter		KN-155
640 Supermoto	625 - Short Filter		KN-155
640 Supermoto	625 - Tall Filter		KN-156
950 Adventure	942	KT-9504	KN-158
950 Adventure S	942	KT-9504	KN-158

Vehicle	Engine Type	Air Filter	Oil Filter
2003 KTM			
450 EXC	450	KT-5201	
450 EXC	450 - Short Filter	KT-5201	KN-157
450 EXC	450 - Tall Filter	KT-5201	KN-155
450 SX-F	449	KT-5201	
450 SX-F	449 - Short Filter	KT-5201	KN-157
450 SX-F	449 - Tall Filter	KT-5201	KN-155
525 EXC Racing	525	KT-5201	
525 EXC Racing	525 - Short Filter	KT-5201	KN-157
525 EXC Racing	525 - Tall Filter	KT-5201	KN-155
525 SX Racing	525 - Short Filter		KN-157
525 SX Racing	525 - Tall Filter		KN-155
625 SXC	625 - Short Filter		KN-157
625 SXC	625 - Tall Filter		KN-155
640 Adventure	625 - Short Filter		KN-155
640 Adventure	625 - Tall Filter		KN-156

Vehicle	Engine Type	Air Filter	Oil Filter
2002 KTM			
400 EXC	400	KT-5201	
400 EXC	400 - Short Filter	KT-5201	KN-157
400 EXC	400 - Tall Filter	KT-5201	KN-155
520 EXC Racing	510	KT-5201	
520 EXC Racing	510 - Short Filter	KT-5201	KN-157
520 EXC Racing	510 - Tall Filter	KT-5201	KN-155
520 SX Racing	510	KT-5201	
520 SX Racing	510 - Short Filter	KT-5201	KN-157
520 SX Racing	510 - Tall Filter	KT-5201	KN-155
640 Duke II	625 - Short Filter		KN-155
640 Duke II	625 - Tall Filter		KN-156

Vehicle	Engine Type	Air Filter	Oil Filter
2001 KTM			
400 EXC	400 - Short Filter		KN-157
400 EXC	400 - Tall Filter		KN-155
520 EXC Racing	510 - Short Filter		KN-157

* 2 filters required ♦ Intake System Available - see page 81 +Cabin Air Filter Available - see page 453 1- Pro Series Filter Available

AIR & OIL FILTERS

KTM

Vehicle	Engine Type	Air Filter	Oil Filter
2001 KTM			
520 EXC Racing	510 - Tall Filter		KN-155
640 Duke II	625 - Short Filter		KN-155
640 Duke II	625 - Tall Filter		KN-156
640 LC4	625 - Short Filter		KN-155
640 LC4	625 - Tall Filter		KN-156
640 LC4 Supermoto	625 - Short Filter		KN-155
640 LC4 Supermoto	625 - Tall Filter		KN-156
640 LC4-E	625 - Short Filter		KN-155
640 LC4-E	625 - Tall Filter		KN-156
640 LC4-E Supermoto	625 - Short Filter		KN-155
640 LC4-E Supermoto	625 - Tall Filter		KN-156

Vehicle	Engine Type	Air Filter	Oil Filter
2000 KTM			
400 LC4	400 - Short Filter		KN-155
400 LC4	400 - Tall Filter		KN-156
640 Duke II	625 - Short Filter		KN-155
640 Duke II	625 - Tall Filter		KN-156
640 LC4-E	625 - Short Filter		KN-155
640 LC4-E	625 - Tall Filter		KN-156
640 LC4-E Six Days	625 - Short Filter		KN-155
640 LC4-E Six Days	625 - Tall Filter		KN-156

Vehicle	Engine Type	Air Filter	Oil Filter
2011 KUBOTA			
RTV500 4x4	454	E-4552	
RTV900	900	E-4552	
RTV1100	898 - D1105-E2	E-4961	

Vehicle	Engine Type	Air Filter	Oil Filter
2010 KUBOTA			
RTV1100	898 - D1105-E2	E-4961	

Vehicle	Engine Type	Air Filter	Oil Filter
2007 KUBOTA			
RTV1100	898 - D1105-E2	E-4961	

Vehicle	Engine Type	Air Filter	Oil Filter
2001 KUBOTA			
BX2200	892	E-4552	

Vehicle	Engine Type	Air Filter	Oil Filter
2000 KUBOTA			
BX2200	892	E-4552	

Vehicle	Engine Type	Air Filter	Oil Filter
2015 LAMBORGHINI			
Huracan	5.2L V10 F/I	E-0658*	

Vehicle	Engine Type	Air Filter	Oil Filter
2014 LAMBORGHINI			
Gallardo	5.2L V10 F/I	E-0669	

Vehicle	Engine Type	Air Filter	Oil Filter
2013 LAMBORGHINI			
Gallardo	5.2L V10 F/I	E-0669	

Vehicle	Engine Type	Air Filter	Oil Filter
2012 LAMBORGHINI			
Gallardo	5.2L V10 F/I	E-0669	

Vehicle	Engine Type	Air Filter	Oil Filter
2011 LAMBORGHINI			
Gallardo	5.2L V10 F/I	E-0669	

Vehicle	Engine Type	Air Filter	Oil Filter
2010 LAMBORGHINI			
Gallardo	5.2L V10 F/I	E-0669	
Murcielago	6.5L V12 F/I	33-2574	

Vehicle	Engine Type	Air Filter	Oil Filter
2009 LAMBORGHINI			
Gallardo	5.2L V10 F/I	E-0669	
Murcielago	6.5L V12 F/I	33-2574	

Vehicle	Engine Type	Air Filter	Oil Filter
2008 LAMBORGHINI			
Gallardo	5.0L V10 F/I	33-2490*	
Murcielago	6.5L V12 F/I	33-2574	

Vehicle	Engine Type	Air Filter	Oil Filter
2007 LAMBORGHINI			
Gallardo	5.0L V10 F/I	33-2490*	
Murcielago	6.5L V12 F/I	33-2574*	

Vehicle	Engine Type	Air Filter	Oil Filter
2006 LAMBORGHINI			
Gallardo	5.0L V10 F/I	33-2490*	
Murcielago	6.5L V12 F/I	33-2574	

Vehicle	Engine Type	Air Filter	Oil Filter
2005 LAMBORGHINI			
Gallardo	5.0L V10 F/I	33-2490*	
Murcielago	6.2L V12 F/I	33-2574	

Vehicle	Engine Type	Air Filter	Oil Filter
2004 LAMBORGHINI			
Gallardo	5.0L V10 F/I	33-2490*	
Murcielago	6.2L V12 F/I	33-2574	

Vehicle	Engine Type	Air Filter	Oil Filter
2003 LAMBORGHINI			
Murcielago	6.2L V12 F/I	33-2574	

Vehicle	Engine Type	Air Filter	Oil Filter
2002 LAMBORGHINI			
Murcielago	6.2L V12 F/I	33-2574	

Vehicle	Engine Type	Air Filter	Oil Filter
2001 LAMBORGHINI			
Diablo	6.0L V12 F/I	33-2574	

Vehicle	Engine Type	Air Filter	Oil Filter
2000 LAMBORGHINI			
Diablo	6.0L V12 F/I	33-2574	

Vehicle	Engine Type	Air Filter	Oil Filter
1998 LAMBORGHINI			
Diablo	5.7L V12 F/I	33-2574	

Vehicle	Engine Type	Air Filter	Oil Filter
1980 LAMBORGHINI			
Countach	3.9L V12 CARB - w/Round Filter	E-2950	

Vehicle	Engine Type	Air Filter	Oil Filter
2016 LEXUS			
RC F	5.0L V8 F/I		PS-7018

Vehicle	Engine Type	Air Filter	Oil Filter
2015 LEXUS			
CT200h	1.8L L4 F/I	33-2435+	PS-7021
ES300h	2.5L L4 F/I	33-2381+	PS-7020
ES350	3.5L V6 F/I	33-2443+	PS-7020
GS350	3.5L V6 F/I	33-2452	PS-7023
GS450h	3.5L V6 F/I	33-2452	
GX460	4.6L V8 F/I	33-2438+	PS-7023
IS F	5.0L V8 F/I		PS-7018
IS250	2.5L V6 F/I	33-2452 ♦	PS-7023
IS300	2.5L L4 F/I	33-2452	
IS300h	2.5L L4 F/I	33-2452	
IS350	3.5L V6 F/I	33-2452 ♦	PS-7023
LS460	4.6L V8 F/I	33-2381**	PS-7023
LX570	5.7L V8 F/I	33-2387+	PS-7018
NX200t	2.0L L4 F/I	33-2443+	PS-7020
NX300h	2.5L L4 F/I	33-2435+	PS-7020
RC F	5.0L V8 F/I	33-2453	PS-7018
RC350	3.5L V6 F/I	33-2452 ♦	PS-7023
RX350	3.5L V6 F/I	33-2443+	PS-7020
RX450h	3.5L V6 F/I	33-2455+	PS-7020

Vehicle	Engine Type	Air Filter	Oil Filter
2014 LEXUS			
CT200h	1.8L L4 F/I	33-2435+	PS-7021
ES300h	2.5L L4 F/I	33-2381+	PS-7020
ES350	3.5L V6 F/I	33-2443+	PS-7020
GS350	3.5L V6 F/I	33-2452 ♦	PS-7023
GS450h	3.5L V6 F/I	33-2452	
GX460	4.6L V8 F/I	33-2438+	PS-7023
IS F	5.0L V8 F/I	33-2453	PS-7018
IS250	2.5L V6 F/I	33-2452	PS-7023
IS300h	2.5L L4 F/I	33-2452	
IS350	3.5L V6 F/I	33-2452 ♦	PS-7023
LS460	4.6L V8 F/I	33-2381**	PS-7023
LX570	5.7L V8 F/I	33-2387+	PS-7018
NX300h	2.5L L4 F/I	33-2435	
RX350	3.5L V6 F/I	33-2443+	PS-7020
RX450h	3.5L V6 F/I	33-2455+	PS-7020

* 2 filters required ♦ Intake System Available - see page 81 +Cabin Air Filter Available - see page 453 1- Pro Series Filter Available

LEXUS

AIR & OIL FILTERS

Vehicle	Engine Type	Air Filter	Oil Filter
2013 LEXUS			
CT200h	1.8L L4 F/I	33-2435+	PS-7021
ES300h	2.5L L4 F/I	33-2381+	PS-7020
ES350	3.5L V6 F/I	33-2443+	PS-7020
GS350	3.5L V6 F/I	33-2452♦	PS-7023
GS450h	3.5L V6 F/I	33-2452	PS-7023
GX460	4.6L V8 F/I	33-2438+	PS-7023
IS F	5.0L V8 F/I	33-2453+	PS-7018
IS250	2.5L V6 F/I		PS-7023
IS250	2.5L V6 F/I - Non-US, From 3/13	33-2452♦	PS-7023
IS250	2.5L V6 F/I - Non-US, To 2/13	33-2345♦	PS-7023
IS250	2.5L V6 F/I - US	33-2345♦♦	PS-7023
IS350	3.5L V6 F/I	33-2345♦♦	PS-7023
LS460	4.6L V8 F/I	33-2381*+	PS-7023
LX570	5.7L V8 F/I	33-2387+	
RX350	3.5L V6 F/I	33-2443+	PS-7020
RX450h	3.5L V6 F/I	33-2455+	PS-7020

Vehicle	Engine Type	Air Filter	Oil Filter
2012 LEXUS			
CT200h	1.8L L4 F/I	33-2435+	PS-7021
ES350	3.5L V6 F/I	33-2326+	PS-7020
GX460	4.6L V8 F/I	33-2438+	PS-7023
IS F	5.0L V8 F/I	33-2453♦♦	PS-7018
IS250	2.5L V6 F/I	33-2345♦♦	PS-7023
IS350	3.5L V6 F/I	33-2345+	PS-7023
LS460	4.6L V8 F/I	33-2381*+	PS-7023
RX350	3.5L V6 F/I	33-2443+	PS-7020
RX450h	3.5L V6 F/I	33-2455+	PS-7020

Vehicle	Engine Type	Air Filter	Oil Filter
2011 LEXUS			
CT200h	1.8L L4 F/I	33-2435+	PS-7021
ES350	3.5L V6 F/I	33-2326+	PS-7020
GS350	3.5L V6 F/I	33-2345♦♦	PS-7023
GS450h	3.5L V6 F/I	33-2220+	
GS460	4.6L V8 F/I	33-2452+	
GX460	4.6L V8 F/I	33-2438+	PS-7023
IS F	5.0L V8 F/I	33-2453♦♦	PS-7018
IS250	2.5L V6 F/I	33-2345♦♦	PS-7023
IS350	3.5L V6 F/I	33-2345♦♦	PS-7023
LS460	4.6L V8 F/I	33-2381*+	PS-7023
LX570	5.7L V8 F/I	33-2387+	
RX350	3.5L V6 F/I	33-2443+	PS-7020
RX450h	3.5L V6 F/I	33-2455+	PS-7020

Vehicle	Engine Type	Air Filter	Oil Filter
2010 LEXUS			
ES350	3.5L V6 F/I	33-2326+	PS-7020
GS350	3.5L V6 F/I	33-2345♦♦	PS-7023
GS450h	3.5L V6 F/I	33-2220+	
GS460	4.6L V8 F/I	33-2452+	
GX460	4.6L V8 F/I	33-2438+	PS-7023
HS250h	2.4L L4 F/I	33-2381+	HP-1003 ¹
IS F	5.0L V8 F/I	33-2453♦♦	PS-7018
IS250	2.5L V6 F/I	33-2345♦♦	PS-7023
IS350	3.5L V6 F/I	33-2345♦♦	PS-7023
LS460	4.6L V8 F/I	33-2381*+	PS-7023
LX570	5.7L V8 F/I	33-2387+	
RX350	3.5L V6 F/I	33-2443+	PS-7020
RX450h	3.5L V6 F/I	33-2455+	PS-7020
SC430	4.3L V8 F/I	33-2220+	

Vehicle	Engine Type	Air Filter	Oil Filter
2009 LEXUS			
ES350	3.5L V6 F/I	33-2326+	PS-7020
GS350	3.5L V6 F/I	33-2345♦♦	PS-7023
GS450h	3.5L V6 F/I	33-2220+	PS-7023
GX470	4.7L V8 F/I	33-2144+	HP-1002 ¹
IS F	5.0L V8 F/I	33-2453♦♦	PS-7018

Vehicle	Engine Type	Air Filter	Oil Filter
2009 LEXUS			
IS220	2.2L L4 DSL	33-2345	
IS250	2.5L V6 F/I	33-2345♦♦	PS-7023
IS350	3.5L V6 F/I	33-2345♦♦	PS-7023
LS460	4.6L V8 F/I	33-2381*+	PS-7023
LX570	5.7L V8 F/I	33-2387+	
RX350	3.5L V6 F/I	33-2260+	PS-7020
SC430	4.3L V8 F/I	33-2220+	

Vehicle	Engine Type	Air Filter	Oil Filter
2008 LEXUS			
ES350	3.5L V6 F/I	33-2326+	PS-7020
GS350	3.5L V6 F/I	33-2345♦♦	PS-7023
GS450h	3.5L V6 F/I	33-2220+	
GS460	4.6L V8 F/I	33-2452+	PS-7023
GX470	4.7L V8 F/I	33-2144+	HP-1002 ¹
IS F	5.0L V8 F/I	33-2453♦♦	PS-7018
IS220	2.2L L4 DSL	33-2345	
IS250	2.5L V6 F/I	33-2345♦♦	PS-7023
IS350	3.5L V6 F/I	33-2345♦♦	PS-7023
LS460	4.6L V8 F/I	33-2381*+	PS-7023
LX470	4.7L V8 F/I	33-2146	
LX570	5.7L V8 F/I	33-2387+	
RX350	3.5L V6 F/I	33-2260+	PS-7020
RX400h	3.3L V6 F/I	33-2344+	HP-1002 ¹
SC430	4.3L V8 F/I	33-2220+	HP-1002 ¹

Vehicle	Engine Type	Air Filter	Oil Filter
2007 LEXUS			
ES350	3.5L V6 F/I	33-2326+	PS-7020
GS350	3.5L V6 F/I	33-2345♦♦	PS-7023
GS430	4.3L V8 F/I	33-2345+	
GS450h	3.5L V6 F/I	33-2220+	PS-7023
GX470	4.7L V8 F/I	33-2144+	HP-1002 ¹
IS250	2.5L V6 F/I	33-2345♦♦	PS-7023
IS350	3.5L V6 F/I	33-2345♦♦	PS-7023
LS460	4.6L V8 F/I	33-2381*+	PS-7023
LX470	4.7L V8 F/I	33-2146	HP-1002 ¹
RX350	3.5L V6 F/I	33-2260+	PS-7020
RX400h	3.3L V6 F/I	33-2344+	HP-1002 ¹
SC430	4.3L V8 F/I	33-2220+	HP-1002 ¹

Vehicle	Engine Type	Air Filter	Oil Filter
2006 LEXUS			
ES330	3.3L V6 F/I	33-2260+	HP-1002 ¹
GS300	3.0L V6 F/I	33-2220+	PS-7023
GS430	4.3L V8 F/I	33-2345+	HP-1002 ¹
GX470	4.7L V8 F/I	33-2144+	HP-1002 ¹
IS250	2.5L V6 F/I	33-2345♦♦	PS-7023
IS350	3.5L V6 F/I	33-2345♦♦	PS-7023
LS430	4.3L V8 F/I	33-2137+	HP-1002 ¹
LX470	4.7L V8 F/I	33-2146	HP-1002 ¹
RX330	3.3L V6 F/I	33-2260+	HP-1002 ¹
RX400h	3.3L V6 F/I	33-2344+	HP-1002 ¹
SC430	4.3L V8 F/I	33-2220+	HP-1002 ¹

Vehicle	Engine Type	Air Filter	Oil Filter
2005 LEXUS			
ES330	3.3L V6 F/I	33-2260+	HP-1002 ¹
GS300	3.0L L6 F/I	33-2170+	HP-1002 ¹
GS430	4.3L V8 F/I	33-2220+	HP-1002 ¹
GX470	4.7L V8 F/I	33-2144+	HP-1002 ¹
IS200	2.0L L6 F/I - 153BHP	33-2845	
IS250	2.5L V6 F/I	33-2345♦	
IS300	3.0L L6 F/I	33-2170♦♦	HP-1002 ¹
LS430	4.3L V8 F/I	33-2137+	HP-1002 ¹
LX470	4.7L V8 F/I	33-2146	HP-1002 ¹
RX330	3.3L V6 F/I	33-2260+	HP-1002 ¹
SC430	4.3L V8 F/I	33-2220+	HP-1002 ¹

Vehicle	Engine Type	Air Filter	Oil Filter
2004 LEXUS			
ES330	3.3L V6 F/I	33-2260+	HP-1002 ¹

* 2 filters required ♦ Intake System Available - see page 81 +Cabin Air Filter Available - see page 453 1- Pro Series Filter Available

AIR & OIL FILTERS

LEXUS

Vehicle	Engine Type	Air Filter	Oil Filter
2004 LEXUS			
GS300	3.0L L6 F/I	33-2170+	HP-1002 ¹
GS430	4.3L V8 F/I	33-2220+	HP-1002 ¹
GX470	4.7L V8 F/I	33-2144+	HP-1002 ¹
IS200	2.0L L6 F/I - 153BHP	33-2845	
IS300	3.0L L6 F/I	33-2170 ♦+	HP-1002 ¹
LS430	4.3L V8 F/I	33-2137+	HP-1002 ¹
LX470	4.7L V8 F/I	33-2146	HP-1002 ¹
RX330	3.3L V6 F/I	33-2260+	HP-1002 ¹
SC430	4.3L V8 F/I	33-2220+	HP-1002 ¹

Vehicle	Engine Type	Air Filter	Oil Filter
2003 LEXUS			
ES300	3.0L V6 F/I	33-2260+	HP-1002 ¹
GS300	3.0L L6 F/I	33-2170+	HP-1002 ¹
GS430	4.3L V8 F/I	33-2220+	HP-1002 ¹
GX470	4.7L V8 F/I	33-2144+	HP-1002 ¹
IS200	2.0L L6 F/I - 153BHP	33-2845	
IS300	3.0L L6 F/I	33-2170 ♦+	HP-1002 ¹
LS430	4.3L V8 F/I	33-2137+	HP-1002 ¹
LX470	4.7L V8 F/I	33-2146	HP-1002 ¹
RX300	3.0L V6 F/I	33-2145-1+	HP-1002 ¹
RX330	3.3L V6 F/I	33-2260	HP-1002 ¹
SC430	4.3L V8 F/I	33-2220+	HP-1002 ¹

Vehicle	Engine Type	Air Filter	Oil Filter
2002 LEXUS			
ES300	3.0L V6 F/I	33-2260+	HP-1002 ¹
GS300	3.0L L6 F/I	33-2170+	HP-1002 ¹
GS430	4.3L V8 F/I	33-2220+	HP-1002 ¹
GX470	4.7L V8 F/I	33-2144	
IS200	2.0L L6 F/I - 153BHP	33-2845	
IS300	3.0L L6 F/I	33-2170 ♦+	HP-1002 ¹
LS430	4.3L V8 F/I	33-2137+	HP-1002 ¹
LX470	4.7L V8 F/I	33-2146	HP-1002 ¹
RX300	3.0L V6 F/I	33-2145-1+	HP-1002 ¹
SC430	4.3L V8 F/I	33-2220+	HP-1002 ¹

Vehicle	Engine Type	Air Filter	Oil Filter
2001 LEXUS			
ES300	3.0L V6 F/I	33-2145-1	HP-1002 ¹
GS300	3.0L L6 F/I	33-2170+	HP-1002 ¹
GS430	4.3L V8 F/I	33-2220+	HP-1002 ¹
IS200	2.0L L6 F/I - 153BHP	33-2845	
IS300	3.0L L6 F/I	33-2170 ♦+	HP-1002 ¹
LS430	4.3L V8 F/I	33-2137+	HP-1002 ¹
LX470	4.7L V8 F/I	33-2146	HP-1002 ¹
RX300	3.0L V6 F/I	33-2145-1+	HP-1002 ¹
SC430	4.3L V8 F/I	33-2220	

Vehicle	Engine Type	Air Filter	Oil Filter
2000 LEXUS			
ES300	3.0L V6 F/I	33-2145-1	HP-1002 ¹
GS300	3.0L L6 F/I	33-2170	HP-1002 ¹
GS400	4.0L V8 F/I	33-2137 ♦	HP-1002 ¹
IS200	2.0L L6 F/I - 153BHP	33-2845	
IS300	3.0L L6 F/I	33-2170	
LS400	4.0L V8 F/I	E-2606	HP-1002 ¹
LS430	4.3L V8 F/I	33-2137	
LX470	4.7L V8 F/I	33-2146	HP-1002 ¹
RX300	3.0L V6 F/I	33-2145-1+	HP-1002 ¹
SC300	3.0L L6 F/I		HP-1002 ¹

Vehicle	Engine Type	Air Filter	Oil Filter
1999 LEXUS			
ES300	3.0L V6 F/I	33-2145-1	HP-1002 ¹
GS300	3.0L L6 F/I	33-2170	HP-1002 ¹
GS400	4.0L V8 F/I	33-2137 ♦	HP-1002 ¹
IS200	2.0L L6 F/I - 153BHP	33-2845	
LS400	4.0L V8 F/I	E-2606	HP-1002 ¹
LX470	4.7L V8 F/I	33-2146	HP-1002 ¹
RX300	3.0L V6 F/I	33-2145-1+	HP-1002 ¹
SC300	3.0L L6 F/I	33-2054	HP-1002 ¹

Vehicle	Engine Type	Air Filter	Oil Filter
1999 LEXUS			
SC400	4.0L V8 F/I		HP-1002 ¹
1998 LEXUS			
ES300	3.0L V6 F/I	33-2145-1	HP-1002 ¹
GS300	3.0L L6 F/I	33-2170	HP-1002 ¹
GS400	4.0L V8 F/I	33-2137 ♦	HP-1002 ¹
LS400	4.0L V8 F/I	E-2606	HP-1002 ¹
LX470	4.7L V8 F/I	33-2146	
SC300	3.0L L6 F/I		HP-1002 ¹
SC400	4.0L V8 F/I		HP-1002 ¹

Vehicle	Engine Type	Air Filter	Oil Filter
1997 LEXUS			
ES300	3.0L V6 F/I	33-2145-1	HP-1002 ¹
GS300	3.0L L6 F/I	33-2053	
LS400	4.0L V8 F/I	E-2606	HP-1002 ¹
LX450	4.5L L6 F/I	E-2443	HP-1002 ¹
SC300	3.0L L6 F/I	33-2054	HP-1002 ¹
SC400	4.0L V8 F/I	33-2054	HP-1002 ¹

Vehicle	Engine Type	Air Filter	Oil Filter
1996 LEXUS			
ES300	3.0L V6 F/I	33-2052	HP-1002 ¹
LS400	4.0L V8 F/I	E-2606	HP-1002 ¹
LX450	4.5L L6 F/I	E-2443	HP-1002 ¹
SC300	3.0L L6 F/I	33-2054	HP-1002 ¹
SC400	4.0L V8 F/I	33-2054	HP-1002 ¹

Vehicle	Engine Type	Air Filter	Oil Filter
1995 LEXUS			
ES300	3.0L V6 F/I	33-2052	HP-1002 ¹
GS300	3.0L L6 F/I	33-2053	HP-1002 ¹
LS400	4.0L V8 F/I	E-2606	HP-1002 ¹
SC300	3.0L L6 F/I	33-2054	HP-1002 ¹
SC400	4.0L V8 F/I	33-2054	HP-1002 ¹

Vehicle	Engine Type	Air Filter	Oil Filter
1994 LEXUS			
ES300	3.0L V6 F/I	33-2052	HP-1002 ¹
GS300	3.0L L6 F/I	33-2053	HP-1002 ¹
LS400	4.0L V8 F/I	E-2606	HP-1002 ¹
SC300	3.0L L6 F/I	33-2054	HP-1002 ¹
SC400	4.0L V8 F/I	33-2054	HP-1002 ¹

Vehicle	Engine Type	Air Filter	Oil Filter
1993 LEXUS			
ES300	3.0L V6 F/I	33-2052	HP-1002 ¹
GS300	3.0L L6 F/I	33-2053	HP-1002 ¹
LS400	4.0L V8 F/I	E-2606	HP-1002 ¹
SC300	3.0L L6 F/I	33-2054	HP-1002 ¹
SC400	4.0L V8 F/I	33-2054	HP-1002 ¹

Vehicle	Engine Type	Air Filter	Oil Filter
1992 LEXUS			
ES300	3.0L V6 F/I		HP-1002 ¹
LS400	4.0L V8 F/I	E-2606	HP-1002 ¹
SC300	3.0L L6 F/I	33-2054	HP-1002 ¹
SC400	4.0L V8 F/I	33-2054	HP-1002 ¹

Vehicle	Engine Type	Air Filter	Oil Filter
1991 LEXUS			
LS400	4.0L V8 F/I	E-2606	HP-1002 ¹

Vehicle	Engine Type	Air Filter	Oil Filter
1990 LEXUS			
LS400	4.0L V8 F/I	E-2606	HP-1002 ¹

Vehicle	Engine Type	Air Filter	Oil Filter
2016 LINCOLN			
MKX	3.7L V6 F/I		HP-2011 ¹
MKZ	2.0L L4 F/I	33-5000	
MKZ Hybrid	2.0L L4 F/I	33-5001	HP-1002 ¹

Vehicle	Engine Type	Air Filter	Oil Filter
2015 LINCOLN			
MKC	2.0L L4 F/I	E-2993	HP-1002 ¹
MKC	2.3L L4 F/I	E-2993	HP-1002 ¹
MKS	3.5L V6 F/I	33-2395+	HP-2011 ¹
MKS	3.7L V6 F/I	33-2395	HP-2011 ¹
MKX	3.7L V6 F/I	33-2395+	HP-2011 ¹

* 2 filters required ♦ Intake System Available - see page 81 +Cabin Air Filter Available - see page 453 1- Pro Series Filter Available

LINCOLN

AIR & OIL FILTERS

Vehicle	Engine Type	Air Filter	Oil Filter
---------	-------------	------------	------------

2015 LINCOLN

MKZ	2.0L I4 F/I	33-5000	HP-1002 ¹
MKZ	3.7L V6 F/I	33-5000	HP-2011 ¹
MKZ Hybrid	2.0L I4 F/I	33-5001	HP-1002 ¹
Navigator	3.5L V6 F/I	33-2385 ♦	HP-2011 ¹
Navigator	5.4L V8 F/I		HP-2010 ¹

2014 LINCOLN

MKS	3.5L V6 F/I	33-2395+	HP-2011 ¹
MKS	3.7L V6 F/I	33-2395+	HP-2011 ¹
MKT	3.5L V6 F/I	33-2395+	HP-2011 ¹
MKT	3.7L V6 F/I	33-2395+	
MKX	3.7L V6 F/I	33-2395+	HP-2011 ¹
MKZ	2.0L I4 F/I	33-5000	HP-1002 ¹
MKZ	3.7L V6 F/I	33-5000	HP-2011 ¹
MKZ Hybrid	2.0L I4 F/I	33-5001	HP-1002 ¹
Navigator	5.4L V8 F/I	33-2385 ♦	HP-2010 ¹

2013 LINCOLN

MKS	3.5L V6 F/I	33-2395+	HP-2011 ¹
MKS	3.7L V6 F/I	33-2395+	HP-2011 ¹
MKT	3.5L V6 F/I	33-2395+	HP-2011 ¹
MKT	3.7L V6 F/I	33-2395+	HP-2011 ¹
MKX	3.7L V6 F/I	33-2395+	HP-2011 ¹
MKZ	2.0L I4 F/I	33-5000	HP-1002 ¹
MKZ	3.7L V6 F/I	33-5000	HP-2011 ¹
MKZ Hybrid	2.0L I4 F/I	33-5001	HP-1002 ¹
Navigator	5.4L V8 F/I	33-2385 ♦	HP-2010 ¹

2012 LINCOLN

MKS	3.5L V6 F/I	33-2395+	HP-2011 ¹
MKS	3.7L V6 F/I	33-2395+	HP-2011 ¹
MKT	3.5L V6 F/I	33-2395+	HP-2011 ¹
MKT	3.7L V6 F/I	33-2395+	
MKX	3.7L V6 F/I	33-2395+	HP-2011 ¹
MKZ	2.5L I4 F/I		HP-1002 ¹
MKZ	3.5L V6 F/I	33-2395+	HP-2011 ¹
Navigator	5.4L V8 F/I	33-2385 ♦	HP-2010 ¹

2011 LINCOLN

MKS	3.5L V6 F/I	33-2395+	HP-2011 ¹
MKS	3.7L V6 F/I	33-2395+	HP-2011 ¹
MKT	3.5L V6 F/I	33-2395+	HP-2011 ¹
MKT	3.7L V6 F/I	33-2395+	
MKX	3.7L V6 F/I	33-2395+	HP-2011 ¹
MKZ	2.5L I4 F/I		HP-1002 ¹
MKZ	3.5L V6 F/I	33-2395+	HP-2011 ¹
Navigator	5.4L V8 F/I	33-2385 ♦	HP-2010 ¹
Town Car	4.6L V8 F/I	33-2272	HP-2010 ¹

2010 LINCOLN

MKS	3.5L V6 F/I	33-2395+	HP-2011 ¹
MKS	3.7L V6 F/I	33-2395+	HP-2011 ¹
MKT	3.5L V6 F/I	33-2395+	HP-2011 ¹
MKT	3.7L V6 F/I	33-2395+	
MKX	3.5L V6 F/I	33-2395+	HP-2011 ¹
MKZ	3.5L V6 F/I	33-2395+	HP-2011 ¹
Navigator	5.4L V8 F/I	33-2385 ♦	HP-2010 ¹
Town Car	4.6L V8 F/I	33-2272	HP-2010 ¹

2009 LINCOLN

MKS	3.7L V6 F/I	33-2395	HP-2009 ¹
MKX	3.5L V6 F/I	33-2395+	
MKX	3.5L V6 F/I - Built After 1/15/09	33-2395	HP-2011 ¹
MKX	3.5L V6 F/I - Built Before 1/15/09	33-2395	HP-2009 ¹
MKZ	3.5L V6 F/I	33-2395	HP-2009 ¹
Navigator	5.4L V8 F/I	33-2385 ♦	HP-2010 ¹

Vehicle	Engine Type	Air Filter	Oil Filter
---------	-------------	------------	------------

2009 LINCOLN

Town Car	4.6L V8 F/I	33-2272	HP-2010 ¹
----------	-------------	---------	----------------------

2008 LINCOLN

Mark LT	5.4L V8 F/I	33-2287 ♦	HP-2010 ¹
MKX	3.5L V6 F/I	33-2395+	HP-2009 ¹
MKZ	3.5L V6 F/I	33-2395	HP-2009 ¹
Navigator	5.4L V8 F/I	33-2385 ♦	HP-2010 ¹
Town Car	4.6L V8 F/I	33-2272	HP-2010 ¹

2007 LINCOLN

Mark LT	5.4L V8 F/I	33-2287 ♦	HP-2010 ¹
MKX	3.5L V6 F/I	33-2395+	HP-2009 ¹
MKZ	3.5L V6 F/I	33-2395	HP-2009 ¹
Navigator	5.4L V8 F/I	33-2385 ♦	HP-2010 ¹
Town Car	4.6L V8 F/I	33-2272	HP-2010 ¹

2006 LINCOLN

LS	3.9L V8 F/I	33-2266 ♦	HP-1014
Mark LT	5.4L V8 F/I	33-2287 ♦	HP-2010 ¹
Navigator	5.4L V8 F/I	33-2287	HP-2010 ¹
Town Car	4.6L V8 F/I	33-2272	HP-2010 ¹
Zephyr	3.0L V6 F/I	33-2340	HP-2010 ¹

2005 LINCOLN

Aviator	4.6L V8 F/I	33-2207	HP-2010 ¹
LS	3.0L V6 F/I	33-2266	HP-2009 ¹
LS	3.9L V8 F/I	33-2266 ♦	HP-1014
Navigator	5.4L V8 F/I	33-2287	HP-2010 ¹
Town Car	4.6L V8 F/I	33-2272	HP-2010 ¹

2004 LINCOLN

Aviator	4.6L V8 F/I	33-2207	HP-2010 ¹
LS	3.0L V6 F/I	33-2266	HP-2009 ¹
LS	3.9L V8 F/I	33-2266 ♦	HP-1014
Navigator	5.4L V8 F/I	E-0945 ♦	HP-2010 ¹
Town Car	4.6L V8 F/I	33-2272	HP-2010 ¹

2003 LINCOLN

Aviator	4.6L V8 F/I	33-2207	HP-2010 ¹
LS	3.0L V6 F/I	33-2266	HP-2009 ¹
LS	3.9L V8 F/I	33-2266 ♦	
Navigator	5.4L V8 F/I	E-0945 ♦	HP-2010 ¹
Town Car	4.6L V8 F/I	33-2272	HP-2010 ¹

2002 LINCOLN

Blackwood	5.4L V8 F/I	E-0945	HP-2010 ¹
Continental	4.6L V8 F/I	E-0945	HP-2010 ¹
LS	3.0L V6 F/I	33-2266+	HP-2009 ¹
LS	3.9L V8 F/I	33-2266+	
Navigator	5.4L V8 F/I	E-0945 ♦	HP-2010 ¹
Town Car	4.6L V8 F/I	33-2272	HP-2010 ¹

2001 LINCOLN

Continental	4.6L V8 F/I	E-0945	HP-2010 ¹
LS	3.0L V6 F/I	33-2266+	HP-2009 ¹
LS	3.9L V8 F/I	33-2266+	
Navigator	5.4L V8 F/I	E-0945 ♦	HP-2010 ¹
Town Car	4.6L V8 F/I	33-2272	HP-2010 ¹

2000 LINCOLN

Continental	4.6L V8 F/I	E-0945	HP-2010 ¹
LS	3.0L V6 F/I	33-2266+	HP-2009 ¹
LS	3.9L V8 F/I	33-2266+	
Navigator	5.4L V8 F/I	E-0945 ♦	HP-2010 ¹
Town Car	4.6L V8 F/I	33-2272	HP-2010 ¹

1999 LINCOLN

Continental	4.6L V8 F/I	E-0945	HP-2010 ¹
Navigator	5.4L V8 F/I	E-0945	HP-2010 ¹

* 2 filters required ♦ Intake System Available - see page 81 +Cabin Air Filter Available - see page 453 1- Pro Series Filter Available

AIR & OIL FILTERS

LINCOLN

Vehicle	Engine Type	Air Filter	Oil Filter
1999 LINCOLN			
Navigator	5.4L V8 F/I	E-0945 ♦	HP-2010 ¹
Town Car	4.6L V8 F/I	33-2272	HP-2010 ¹
1998 LINCOLN			
Continental	4.6L V8 F/I	E-0945	HP-2010 ¹
Mark VIII	4.6L V8 F/I	33-2073	HP-2010 ¹
Navigator	5.4L V8 F/I	E-0945 ♦	HP-2010 ¹
Town Car	4.6L V8 F/I	33-2272	HP-2010 ¹
1997 LINCOLN			
Continental	4.6L V8 F/I	E-0945	HP-2010 ¹
Mark VIII	4.6L V8 F/I	33-2073	HP-2010 ¹
Town Car	4.6L V8 F/I	33-2272	HP-2010 ¹
1996 LINCOLN			
Continental	4.6L V8 F/I	E-0945	
Mark VIII	4.6L V8 F/I	33-2073	HP-2010 ¹
Town Car	4.6L V8 F/I	33-2272	HP-2010 ¹
1995 LINCOLN			
Continental	4.6L V8 F/I	E-0945	HP-2010 ¹
Mark VIII	4.6L V8 F/I	33-2073	HP-2010 ¹
Town Car	4.6L V8 F/I	33-2272	HP-2010 ¹
1994 LINCOLN			
Mark VIII	4.6L V8 F/I	33-2073	HP-2010 ¹
Town Car	4.6L V8 F/I	33-2272	HP-2010 ¹
1993 LINCOLN			
Mark VIII	4.6L V8 F/I	33-2073	HP-2010 ¹
Town Car	4.6L V8 F/I	33-2272	HP-2010 ¹
1992 LINCOLN			
Town Car	4.6L V8 F/I	33-2272	HP-2010 ¹
1991 LINCOLN			
Mark VII	5.0L V8 F/I	33-2015	HP-3001 ¹
Town Car	4.6L V8 F/I		HP-2010 ¹
1990 LINCOLN			
Mark VII	5.0L V8 F/I	33-2015	HP-3001 ¹
Town Car	5.0L V8 F/I	33-2012	HP-3001 ¹
1989 LINCOLN			
Mark VII	5.0L V8 F/I	33-2015	HP-3001 ¹
Town Car	5.0L V8 F/I	33-2012	HP-3001 ¹
1988 LINCOLN			
Mark VII	5.0L V8 F/I	33-2015	HP-3001 ¹
Town Car	5.0L V8 F/I	33-2012	HP-3001 ¹
1986 LINCOLN			
Town Car	5.0L V8 F/I	33-2012	HP-3001 ¹
1985 LINCOLN			
Town Car	5.0L V8 F/I		HP-3001 ¹
1979 LINCOLN			
Continental	400 V8 CARB	E-1290	HP-3001 ¹
Mark V	400 V8 CARB		HP-3001 ¹
2015 LOTUS			
Elise	1.8L L4 F/I	33-2252	
Evora	3.5L V6 F/I	33-2355	
Exige	3.5L V6 F/I	33-2355	
2014 LOTUS			
Evora	3.5L V6 F/I	33-2355	PS-7020
2013 LOTUS			
Evora	3.5L V6 F/I	33-2355	PS-7020

Vehicle	Engine Type	Air Filter	Oil Filter
2011 LOTUS			
Evora	3.5L V6 F/I	33-2355	PS-7020
2010 LOTUS			
Evora	3.5L V6 F/I	33-2355	PS-7020
2009 LOTUS			
Elise	1.8L L4 F/I		HP-1003 ¹
Elise	1.8L L4 F/I - w/Toyota Eng.	33-2252	HP-1003
2007 LOTUS			
Elise	1.8L L4 F/I - w/Toyota Eng.	33-2252 ♦	
Exige	1.8L L4 F/I	33-2647 ♦	
2006 LOTUS			
Elise	1.8L L4 F/I - w/Toyota Eng.	33-2252 ♦	
2005 LOTUS			
Elise	1.8L L4 F/I - Exc. Toyota Eng.	33-2647 ♦	
Elise	1.8L L4 F/I - w/Toyota Eng.	33-2252 ♦	
1995 LOTUS			
Esprit	2.2L L4 F/I		HP-2004 ¹
1991 LOTUS			
Elan	1.6L L4 F/I	E-2360	
Excel	2.2L L4 CARB	33-2784	
1988 LOTUS			
Excel	2.2L L4 CARB	33-2784	
2007 MAYBACH			
62	6.0L V12 F/I	33-2412	
2016 MAZDA			
3	2.0L L4 F/I	33-2480 ♦	
6	2.5L L4 F/I	33-2480 ♦	
CX-3	2.0L L4 F/I	33-5042	
CX-5	2.0L L4 F/I	33-2480	
CX-5	2.5L L4 F/I	33-2480	
2015 MAZDA			
2	1.5L L4 DSL	33-5038	
2	1.5L L4 F/I	33-5038	HP-1008 ¹
3	2.0L L4 F/I	33-2480 ♦	HP-1008 ¹
3	2.2L L4 DSL	33-3024	
3	2.5L L4 F/I	33-2480 ♦	HP-1008 ¹
5	2.5L L4 F/I	33-2293	HP-1002 ¹
6	2.0L L4 F/I	33-2480	
6	2.2L L4 DSL	33-3024	
6	2.5L L4 F/I	33-2480 ♦	HP-1008 ¹
CX-5	2.0L L4 F/I		HP-1008 ¹
CX-5	2.0L L4 F/I - Eng. Skyactiv	33-2480	HP-1008
CX-5	2.2L L4 DSL	33-3024	
CX-5	2.5L L4 F/I	33-2480	HP-1008 ¹
CX-9	3.7L V6 F/I	33-2395+	HP-2009 ¹
Mazdaspeed3	2.3L L4 F/I		HP-1002 ¹
MX-5	2.0L L4 F/I		HP-1002 ¹
MX-5 III	1.8L L4 F/I	33-2335	
MX-5 III	2.0L L4 F/I	33-2335	HP-1002 ¹
MX-5 Miata	2.0L L4 F/I	33-2335	HP-1002 ¹
2014 MAZDA			
2	1.3L L4 F/I	33-2924	
2	1.5L L4 F/I	33-2924	HP-1008 ¹
3	2.0L L4 F/I	33-2480 ♦	HP-1008 ¹
3	2.2L L4 DSL	33-3024	

* 2 filters required ♦ Intake System Available - see page 81 +Cabin Air Filter Available - see page 453 1- Pro Series Filter Available

MAZDA

AIR & OIL FILTERS

Vehicle	Engine Type	Air Filter	Oil Filter	Vehicle	Engine Type	Air Filter	Oil Filter
2014 MAZDA				2012 MAZDA			
3	2.5L L4 F/I	33-2480 ♦	HP-1008 ¹	3	2.0L L4 F/I - US, Exc. Eng. Skyactiv	33-2293 ♦	
3 Sport	2.0L L4 F/I		HP-1008 ¹	3	2.2L L4 DSL	33-2293	
5	2.0L L4 F/I	33-2999		3	2.3L L4 F/I		HP-1002 ¹
5	2.5L L4 F/I	33-2293	HP-1002 ¹	3	2.5L L4 F/I	33-2293 ♦	HP-1002 ¹
6	2.0L L4 F/I	33-2480		3 Sport	2.0L L4 F/I - Eng. Skyactiv		HP-1008 ¹
6	2.2L L4 DSL	33-3024		3 Sport	2.0L L4 F/I - Exc. Eng. Skyactiv		HP-1002 ¹
6	2.5L L4 F/I	33-2480 ♦	HP-1008 ¹	5	1.6L L4 DSL	E-2993 ♦	
CX-5	2.0L L4 F/I	33-2480	HP-1008 ¹	5	1.8L L4 F/I	33-2293	
CX-5	2.2L L4 DSL	33-3024		5	2.0L L4 F/I	33-2999	
CX-5	2.5L L4 F/I	33-2480	HP-1008 ¹	5	2.5L L4 F/I	33-2293	HP-1002 ¹
CX-9	3.7L V6 F/I	33-2395 ⁺	HP-2009 ¹	6	1.8L L4 F/I	33-2278	
MX-5	2.0L L4 F/I	33-2335	HP-1002 ¹	6	2.0L L4 F/I	33-2278	
MX-5 III	1.8L L4 F/I	33-2335		6	2.5L L4 F/I	33-2424 ♦	HP-1002 ¹
MX-5 III	2.0L L4 F/I	33-2335	HP-1002 ¹	6	3.7L V6 F/I	33-2395	HP-2009 ¹
MX-5 Miata	2.0L L4 F/I	33-2335	HP-1002 ¹	6	2.2L L4 DSL	33-3024	
2013 MAZDA				CX-5	2.2L L4 DSL	33-3024	
2	1.3L L4 F/I	33-2924		CX-7	2.3L L4 F/I	33-2279	HP-1002 ¹
2	1.5L L4 F/I	33-2924	HP-1008 ¹	CX-7	2.5L L4 F/I	33-2279	HP-1002 ¹
2	1.6L L4 DSL	33-2955		CX-9	3.7L V6 F/I	33-2395 ⁺	HP-2009 ¹
3	1.6L L4 DSL	E-2993 ♦		Mazdaspeed3	2.3L L4 F/I	33-2293 ♦	HP-1002 ¹
3	1.6L L4 F/I	33-2924		MX-5	2.0L L4 F/I	33-2335	HP-1002 ¹
3	2.0L L4 F/I		HP-1002 ¹	MX-5 III	1.8L L4 F/I	33-2335	
3	2.0L L4 F/I - Eng. Skyactiv	33-2480 ♦	HP-1008 ¹	MX-5 III	2.0L L4 F/I	33-2335	HP-1002 ¹
		33-2480 ♦	HP-1008 ¹	MX-5 Miata	2.0L L4 F/I	33-2335	HP-1002 ¹
		33-2480 ♦	HP-1008 ¹	2011 MAZDA			
		33-2480 ♦	HP-1008 ¹	2	1.3L L4 F/I	33-2924	
		33-2480 ♦	HP-1008 ¹	2	1.5L L4 F/I	33-2924	HP-1008 ¹
3	2.0L L4 F/I - Exc. Eng. Skyactiv	33-2293 ♦	HP-1002 ¹	2	1.6L L4 DSL	33-2955	
3	2.0L L4 F/I - Non-US, w/DISI Eng.	33-2999	HP-1002	3	1.6L L4 DSL	E-2993 ♦	
3	2.2L L4 DSL - From 9/13	33-3024		3	1.6L L4 F/I	33-2924	
3	2.3L L4 F/I		HP-1002 ¹	3	2.0L L4 F/I		HP-1002 ¹
3	2.5L L4 F/I	33-2293	HP-1002 ¹	3	2.0L L4 F/I - Non-US, Exc. DISI Eng.	33-2293	HP-1002
3 Sport	2.0L L4 F/I		HP-1002 ¹	3	2.0L L4 F/I - Non-US, w/DISI Eng.	33-2999	HP-1002
3 Sport	2.5L L4 F/I		HP-1002 ¹	3	2.0L L4 F/I - US	33-2293 ♦	HP-1002
5	2.0L L4 F/I	33-2999		3	2.2L L4 DSL	33-2293	
5	2.5L L4 F/I	33-2293	HP-1002 ¹	3	2.3L L4 F/I		HP-1002 ¹
6	2.0L L4 F/I	33-2480		3	2.5L L4 F/I	33-2293 ♦	HP-1002 ¹
6	2.2L L4 DSL	33-3024		6	1.8L L4 F/I	33-2278	
6	2.5L L4 F/I	33-2424 ♦	HP-1002 ¹	6	2.0L L4 F/I	33-2278	
6	3.7L V6 F/I	33-2395	HP-2009 ¹	6	2.5L L4 F/I		HP-1002 ¹
CX-5	2.0L L4 F/I	33-2480	HP-1008 ¹	6	2.5L L4 F/I - US	33-2424 ♦	HP-1002
CX-5	2.2L L4 DSL	33-3024		6	3.7L V6 F/I	33-2395	HP-2009 ¹
CX-9	3.7L V6 F/I	33-2395 ⁺	HP-2009 ¹	6	2.2L L4 DSL	33-2999	
Mazdaspeed3	2.3L L4 F/I	33-2293 ♦	HP-1002 ¹	CX-7	2.3L L4 F/I	33-2279	HP-1002 ¹
MX-5	2.0L L4 F/I	33-2335	HP-1002 ¹	CX-7	2.5L L4 F/I	33-2279	HP-1002 ¹
MX-5 III	1.8L L4 F/I	33-2335		CX-9	3.7L V6 F/I	33-2395 ⁺	HP-2009 ¹
MX-5 III	2.0L L4 F/I	33-2335	HP-1002 ¹	Mazdaspeed3	2.3L L4 F/I	33-2293 ♦	HP-1002 ¹
MX-5 Miata	2.0L L4 F/I	33-2335	HP-1002 ¹	MX-5	2.0L L4 F/I	33-2335	HP-1002 ¹
2012 MAZDA				MX-5 III	2.0L L4 F/I	33-2335	HP-1002 ¹
2	1.3L L4 F/I	33-2924		MX-5 Miata	2.0L L4 F/I	33-2335	HP-1002 ¹
2	1.5L L4 F/I	33-2924	HP-1008 ¹	RX-8	1.3L R2 F/I	33-2284 ♦	HP-1010 ¹
2	1.6L L4 DSL	33-2955		Tribute	2.5L L4 F/I	33-2187	
3	1.6L L4 DSL	E-2993 ♦		Tribute	3.0L V6 F/I	E-1990	
3	1.6L L4 F/I	33-2924		2010 MAZDA			
3	2.0L L4 F/I - Eng. Skyactiv	33-2480	HP-1008 ¹	2	1.5L L4 F/I	33-2924	
3	2.0L L4 F/I - Exc. Eng. Skyactiv		HP-1002 ¹	3	1.6L L4 DSL	E-2993 ♦	
3	2.0L L4 F/I - Non-US, w/DISI Eng.	33-2999		3	1.6L L4 F/I	33-2924	
				3	2.0L L4 F/I		HP-1002 ¹
				3	2.0L L4 F/I - Non-US, Exc. DISI Eng.	33-2293	HP-1002
				3	2.0L L4 F/I - Non-US, w/DISI Eng.	33-2999	HP-1002

* 2 filters required ♦ Intake System Available - see page 81 +Cabin Air Filter Available - see page 453 1- Pro Series Filter Available

AIR & OIL FILTERS

MAZDA

Vehicle	Engine Type	Air Filter	Oil Filter
2010 MAZDA			
3	2.0L L4 F/I - US	33-2293	HP-1002
3	2.2L L4 DSL	33-2293	
3	2.3L L4 F/I	33-2293	HP-1002 ¹
3	2.5L L4 F/I	33-2293 ♦	HP-1002 ¹
3 Sport	2.0L L4 F/I		HP-1002 ¹
3 Sport	2.0L L4 F/I - Canada	33-2293	HP-1002
5	2.0L L4 F/I - Non-US, Exc. DISI Eng.	33-2293	
5 Van	2.0L L4 DSL	33-2293	
5 Van	2.3L L4 F/I	33-2293	HP-1002 ¹
6	1.8L L4 F/I	33-2278	
6	2.0L L4 F/I	33-2278	
6	2.2L L4 DSL	33-2278	
6	2.5L L4 F/I		HP-1002 ¹
6	2.5L L4 F/I - Non-US	33-2278 ♦	HP-1002
6	2.5L L4 F/I - US	33-2424 ♦	HP-1002
6	3.7L V6 F/I	33-2395	HP-2009 ¹
B2300	2.3L L4 F/I		HP-1002 ¹
B4000	4.0L V6 F/I		HP-2010 ¹
CX-7	2.2L L4 DSL	33-2999	
CX-7	2.3L L4 F/I	33-2279	HP-1002 ¹
CX-7	2.5L L4 F/I	33-2279	HP-1002 ¹
CX-9	3.7L V6 F/I	33-2395+	HP-2009 ¹
Mazdaspeed3	2.3L L4 F/I	33-2293 ♦	HP-1002 ¹
MX-5	2.0L L4 F/I	33-2335	HP-1002 ¹
MX-5 III	2.0L L4 F/I	33-2335	HP-1002 ¹
MX-5 Miata	2.0L L4 F/I	33-2335	HP-1002 ¹
RX-8	1.3L R2 F/I	33-2284 ♦	HP-1010 ¹
Tribute	2.5L L4 F/I	33-2187	HP-1002 ¹
Tribute	3.0L V6 F/I	E-1990	
Tribute Hybrid	2.5L L4 F/I	33-2347	HP-1002 ¹

Vehicle	Engine Type	Air Filter	Oil Filter
2009 MAZDA			
2	1.5L L4 F/I	33-2924	
3	1.6L L4 DSL - From 6/09	E-2993 ♦	
3	1.6L L4 DSL - To 5/09	33-2874 ♦	
3	1.6L L4 F/I	33-2924	
3	2.0L L4 F/I		HP-1002 ¹
3	2.0L L4 F/I - Non-US, Exc. DISI Eng.	33-2293 ♦	HP-1002
3	2.0L L4 F/I - Non-US, w/DISI Eng.	33-2999 ♦	HP-1002
3	2.0L L4 F/I - US	33-2293 ♦	HP-1002
3	2.2L L4 DSL	33-2293	
3	2.3L L4 F/I	33-2293 ♦	PS-7013
3 Sport	2.0L L4 F/I		HP-1002 ¹
3 Sport	2.0L L4 F/I - Canada	33-2293	HP-1002
5	2.0L L4 F/I	33-2293	
5 Van	1.8L L4 F/I	33-2293	
5 Van	2.0L L4 DSL	33-2293	
5 Van	2.3L L4 F/I	33-2293	PS-7013
6	1.8L L4 F/I	33-2278 ♦	
6	2.0L L4 DSL	33-2278	
6	2.0L L4 F/I	33-2278 ♦	
6	2.2L L4 DSL	33-2278	
6	2.5L L4 F/I - Cartridge		PS-7013
6	2.5L L4 F/I - Non-US	33-2278 ♦	
6	2.5L L4 F/I - Spin On		HP-1002 ¹
6	2.5L L4 F/I - US	33-2424 ♦	
6	3.7L V6 F/I	33-2395	HP-2009 ¹
B4000	4.0L V6 F/I	33-2106-1 ♦	HP-2010 ¹
CX-7	2.3L L4 F/I	33-2279	PS-7013
CX-9	3.7L V6 F/I	33-2395+	HP-2009 ¹
Mazdaspeed3	2.3L L4 F/I	33-2293 ♦	PS-7013
MX-5 III	2.0L L4 F/I	33-2335 ♦	

Vehicle	Engine Type	Air Filter	Oil Filter
2009 MAZDA			
MX-5 Miata	2.0L L4 F/I	33-2335	HP-1002 ¹
RX-8	1.3L R2 F/I	33-2284 ♦	HP-1010 ¹
Tribute	2.5L L4 F/I	33-2187	
Tribute	3.0L V6 F/I	E-1990	HP-2011 ¹
2008 MAZDA			
3	1.4L L4 F/I	33-2924	
3	1.6L L4 DSL	33-2874	
3	1.6L L4 F/I	33-2924	
3	2.0L L4 DSL	33-2293	
3	2.0L L4 F/I	33-2293 ♦	HP-1002 ¹
3	2.3L L4 F/I	33-2293 ♦	PS-7013
5	2.0L L4 F/I	33-2293	
5 Van	1.8L L4 F/I	33-2293	
5 Van	2.0L L4 DSL	33-2293	
5 Van	2.3L L4 F/I	33-2293 ♦	PS-7013
6	1.8L L4 F/I	33-2278 ♦	
6	2.0L L4 DSL	33-2278	
6	2.0L L4 F/I	33-2278 ♦	
6	2.3L L4 F/I		PS-7013
6	2.3L L4 F/I - Non-US	33-2279 ♦+	PS-7013
6	2.3L L4 F/I - US	33-2278 ♦+	PS-7013
6	2.5L L4 F/I	33-2278 ♦	
6	3.0L V6 F/I	33-2279+	HP-2010 ¹
B4000	4.0L V6 F/I	33-2106-1 ♦	
CX-7	2.3L L4 F/I	33-2279	PS-7013
CX-9	3.7L V6 F/I	33-2395+	HP-2009 ¹
Mazdaspeed3	2.3L L4 F/I	33-2293 ♦	PS-7013
MX-5	2.0L L4 F/I	33-2335	HP-1002 ¹
MX-5 III	1.8L L4 F/I	33-2335 ♦	
MX-5 III	2.0L L4 F/I	33-2335 ♦	HP-1002 ¹
MX-5 Miata	2.0L L4 F/I	33-2335	HP-1002 ¹
RX-8	1.3L R2 F/I	33-2284 ♦	HP-1008 ¹
Tribute	2.3L L4 F/I	33-2187	HP-1002 ¹
Tribute	3.0L V6 F/I	33-2187	HP-2010 ¹
Tribute Hybrid	2.3L L4 F/I		PS-7013

Vehicle	Engine Type	Air Filter	Oil Filter
2007 MAZDA			
3	1.4L L4 F/I	33-2924	
3	1.6L L4 DSL	33-2874	
3	1.6L L4 F/I	33-2924	
3	2.0L L4 DSL	33-2293	
3	2.0L L4 F/I	33-2293 ♦	
3	2.0L L4 F/I - VIN F	33-2293	HP-1002 ¹
3	2.0L L4 F/I - VIN G	33-2293	PS-7013
3	2.3L L4 F/I	33-2293 ♦	PS-7013
5	2.0L L4 F/I	33-2293	
5 Van	2.0L L4 DSL	33-2293	
5 Van	2.3L L4 F/I	33-2293 ♦	PS-7013
6	1.8L L4 F/I	33-2278 ♦	
6	2.0L L4 DSL	33-2278	
6	2.0L L4 F/I	33-2278 ♦	
6	2.3L L4 F/I		PS-7013
6	2.3L L4 F/I - Non-US	33-2279 ♦+	PS-7013
6	2.3L L4 F/I - US	33-2278 ♦+	PS-7013
6	2.5L L4 F/I	33-2278	
6	3.0L V6 F/I	33-2279 ♦+	HP-2010 ¹
B2300	2.3L L4 F/I	33-2106-1	
B3000	3.0L V6 F/I	33-2106-1 ♦	HP-2009 ¹
B4000	4.0L V6 F/I	33-2106-1 ♦	HP-2010 ¹
CX-7	2.3L L4 F/I	33-2279	PS-7013
CX-9	3.5L V6 F/I	33-2395+	HP-2009 ¹
Mazdaspeed3	2.3L L4 F/I	33-2293 ♦	PS-7013
Mazdaspeed6	2.3L L4 F/I	33-2279	PS-7013
MX-5	2.0L L4 F/I	33-2335	HP-1002 ¹

* 2 filters required ♦ Intake System Available - see page 81 +Cabin Air Filter Available - see page 453 1- Pro Series Filter Available

MAZDA

AIR & OIL FILTERS

Vehicle	Engine Type	Air Filter	Oil Filter
2007 MAZDA			
MX-5 III	1.8L L4 F/I	33-2335 ♦	
MX-5 III	2.0L L4 F/I	33-2335 ♦	HP-1002 ¹
MX-5 Miata	2.0L L4 F/I	33-2335	HP-1002 ¹
RX-8	1.3L R2 F/I	33-2284 ♦	HP-1008 ¹

2006 MAZDA			
3	1.4L L4 F/I	33-2924	
3	1.6L L4 DSL	33-2874	
3	1.6L L4 F/I	33-2924	
3	2.0L L4 F/I	33-2293 ♦	
3	2.0L L4 F/I - VIN F	33-2293	HP-1002 ¹
3	2.0L L4 F/I - VIN G	33-2293	PS-7013
3	2.3L L4 F/I	33-2293 ♦	PS-7013
5	2.0L L4 F/I	33-2293	
5	2.3L L4 F/I		PS-7013
5 Van	2.0L L4 DSL	33-2293	
6	1.8L L4 F/I	33-2278 ♦	
6	2.0L L4 DSL	33-2278	
6	2.0L L4 F/I	33-2278 ♦	
6	2.3L L4 F/I	33-2278 ♦+	PS-7013
6	3.0L V6 F/I	33-2279 ♦+	HP-2010 ¹
B2300	2.3L L4 F/I	33-2106-1	HP-1002 ¹
Mazdaspeed6	2.3L L4 F/I - US	33-2279	PS-7013
MPV	3.0L V6 F/I	33-2278	HP-2010 ¹
MPV II	3.0L V6 F/I	33-2177-1	HP-2010 ¹
MX-5	2.0L L4 F/I	33-2335	HP-1002 ¹
MX-5 III	1.8L L4 F/I	33-2335 ♦	
MX-5 III	2.0L L4 F/I	33-2335 ♦	HP-1002 ¹
MX-5 Miata	2.0L L4 F/I	33-2335	HP-1002 ¹
RX-8	1.3L R2 F/I	33-2284 ♦	HP-1008 ¹
Tribute	2.3L L4 F/I	33-2187	HP-1002 ¹
Tribute	3.0L V6 F/I	33-2187	HP-2010 ¹

2005 MAZDA			
3	1.4L L4 F/I	33-2924	
3	1.6L L4 DSL	33-2874	
3	1.6L L4 F/I	33-2924	
3	2.0L L4 F/I	33-2293 ♦	HP-1002 ¹
3	2.3L L4 F/I	33-2293 ♦	PS-7013
6	1.8L L4 F/I	33-2278 ♦	
6	2.0L L4 DSL	33-2278	
6	2.0L L4 F/I	33-2278 ♦	
6	2.3L L4 F/I	33-2278 ♦+	PS-7013
6	3.0L V6 F/I	33-2279 ♦+	HP-2010 ¹
B2300	2.3L L4 F/I	33-2106-1	
B3000	3.0L V6 F/I	33-2106-1 ♦	HP-2009 ¹
B4000	4.0L V6 F/I	33-2106-1 ♦	
Miata	1.8L L4 F/I	33-2676 ♦	HP-1008 ¹
Miata Mazdaspeed	1.8L L4 F/I	33-2676	HP-1008 ¹
MPV	3.0L V6 F/I	33-2278	HP-2010 ¹
MPV II	3.0L V6 F/I	33-2177-1	HP-2010 ¹
MX-5 II	1.8L L4 F/I	33-2676 ♦	
MX-5 III	1.8L L4 F/I	33-2335 ♦	
RX-8	1.3L R2 F/I	33-2284 ♦	HP-1008 ¹
Tribute	2.3L L4 F/I	33-2187	HP-1002 ¹
Tribute	3.0L V6 F/I	33-2187	HP-2010 ¹

2004 MAZDA			
3	1.4L L4 F/I	33-2924	
3	1.6L L4 DSL	33-2874	
3	1.6L L4 F/I	33-2924	
3	2.0L L4 F/I	33-2293 ♦	HP-1002 ¹
3	2.3L L4 F/I	33-2293 ♦	PS-7013
6	1.8L L4 F/I	33-2278 ♦	
6	2.0L L4 DSL	33-2278	
6	2.0L L4 F/I	33-2278 ♦	

Vehicle	Engine Type	Air Filter	Oil Filter
2004 MAZDA			
6	2.3L L4 F/I	33-2278 ♦+	PS-7013
6	3.0L V6 F/I	33-2279 ♦+	HP-2010 ¹
323 VI	1.4L L4 F/I	33-2824	
323 VI	2.0L L4 DSL	33-2223	
323 VI	2.0L V6 F/I	33-2134	
B2300	2.3L L4 F/I	33-2106-1	HP-2009 ¹
B3000	3.0L V6 F/I	33-2106-1 ♦	HP-2009 ¹
B4000	4.0L V6 F/I	33-2106-1 ♦	HP-2010 ¹
Miata	1.8L L4 F/I	33-2676 ♦	HP-1008 ¹
Miata Mazdaspeed	1.8L L4 F/I	33-2676	HP-1008 ¹
MPV	3.0L V6 F/I	33-2278	HP-2010 ¹
MPV II	3.0L V6 F/I	33-2177-1	HP-2010 ¹
MX-5 II	1.8L L4 F/I	33-2676 ♦	HP-1008 ¹
RX-8	1.3L R2 F/I	33-2284 ♦	HP-1008 ¹
Tribute	3.0L V6 F/I	33-2187	HP-2010 ¹

2003 MAZDA			
3	2.0L L4 F/I	33-2293 ♦	
6	2.0L L4 DSL	33-2278	
6	2.0L L4 F/I	33-2278 ♦	
6	2.3L L4 F/I	33-2278 ♦+	PS-7013
6	3.0L V6 F/I	33-2279 ♦+	HP-2010 ¹
323 VI	2.0L L4 DSL	33-2223	
323 VI	2.0L V6 F/I	33-2134	
B2300	2.3L L4 F/I	33-2106-1 ♦	HP-2009 ¹
B3000	3.0L V6 F/I	33-2106-1 ♦	HP-2009 ¹
B4000	4.0L V6 F/I	33-2106-1 ♦	HP-2010 ¹
Miata	1.8L L4 F/I	33-2676 ♦	HP-1008 ¹
MPV	3.0L V6 F/I	33-2177-1+	HP-2010 ¹
MPV II	3.0L V6 F/I	33-2177-1	HP-2010 ¹
MX-5 II	1.8L L4 F/I	33-2676 ♦	HP-1008 ¹
Protege	1.6L L4 F/I	33-2134	HP-1008 ¹
Protege	2.0L L4 F/I	33-2134 ♦	HP-1008 ¹
Protege Mazdaspeed	2.0L L4 F/I	33-2134	HP-1008 ¹
Protege5	2.0L L4 F/I	33-2134 ♦	HP-1008 ¹
RX-8	1.3L R2 F/I	33-2284 ♦	
Tribute	3.0L V6 F/I	33-2187	HP-2010 ¹

2002 MAZDA			
626	2.0L L4 F/I	33-2157	HP-1008 ¹
626	2.5L V6 F/I	33-2157	HP-1010 ¹
626 V	2.0L L4 DSL	33-2177-1	
626 V	2.0L L4 F/I	33-2676	HP-1008 ¹
B2300	2.3L L4 F/I	33-2106-1 ♦	HP-2009 ¹
B3000	3.0L V6 F/I	33-2106-1 ♦	HP-2009 ¹
B4000	4.0L V6 F/I	33-2106-1 ♦	HP-2010 ¹
Demio	1.5L L4 F/I	33-2222	
Miata	1.8L L4 F/I	33-2676 ♦	HP-1008 ¹
Millenia	2.3L V6 F/I	33-2672	HP-1010 ¹
Millenia	2.5L V6 F/I	33-2072	HP-1010 ¹
MPV	3.0L V6 F/I	33-2177-1+	HP-2010 ¹
MPV II	3.0L V6 F/I	33-2177-1	HP-2010 ¹
MX-5 II	1.8L L4 F/I	33-2676 ♦	HP-1008 ¹
Protege	1.6L L4 F/I		HP-1008 ¹
Protege	2.0L L4 F/I	33-2134 ♦	HP-1008 ¹
Protege5	2.0L L4 F/I	33-2134 ♦	HP-1008 ¹
Tribute	2.0L L4 F/I	33-2187	HP-2009 ¹
Tribute	3.0L V6 F/I	33-2187	HP-2010 ¹

2001 MAZDA			
626	2.0L L4 F/I	33-2157	HP-1008 ¹
626	2.5L V6 F/I	33-2157	HP-1010 ¹
626 V	2.0L L4 DSL	33-2177-1	
626 V	2.0L L4 F/I	33-2676	HP-1008 ¹
B3000	3.0L V6 F/I	33-2106-1 ♦	HP-2009 ¹
B4000	4.0L V6 F/I	33-2106-1 ♦	HP-2010 ¹

* 2 filters required ♦ Intake System Available - see page 81 +Cabin Air Filter Available - see page 453 1- Pro Series Filter Available

AIR & OIL FILTERS

MAZDA

Vehicle	Engine Type	Air Filter	Oil Filter
2001 MAZDA			
Miata	1.8L L4 F/I	33-2676 ♦	HP-1008 ¹
MPV	2.5L V6 F/I	33-2177-1 ⁺	HP-2010 ¹
MPV II	2.5L V6 F/I	33-2177-1	HP-2010 ¹
MX-5 II	1.8L L4 F/I	33-2676 ♦	HP-1008 ¹
Protege	1.6L L4 F/I	33-2134	HP-1008 ¹
Protege	1.8L L4 F/I	33-2134	HP-1008 ¹
Protege	2.0L L4 F/I	33-2134	HP-1008 ¹
Tribute	3.0L V6 F/I	33-2187	HP-2010 ¹

2000 MAZDA			
626	2.0L L4 F/I	33-2157	HP-1008 ¹
626	2.5L V6 F/I	33-2157	HP-1010 ¹
626 V	2.0L L4 DSL	33-2177-1	
626 V	2.0L L4 F/I	33-2676	HP-1008 ¹
B2500	2.5L L4 F/I	33-2106-1 ♦	HP-2009 ¹
B3000	3.0L V6 F/I	33-2106-1 ♦	HP-2009 ¹
B4000	4.0L V6 F/I	33-2106-1 ♦	HP-3001 ¹
Miata	1.8L L4 F/I	33-2676 ♦	HP-1008 ¹
Millenia	2.3L V6 F/I	33-2672	
MPV	2.5L V6 F/I	33-2177-1 ⁺	HP-2010 ¹
MPV II	2.5L V6 F/I	33-2177-1	HP-2010 ¹
MX-5 II	1.8L L4 F/I	33-2676 ♦	HP-1008 ¹
Protege	1.6L L4 F/I	33-2134	HP-1008 ¹
Protege	1.8L L4 F/I	33-2134	HP-1008 ¹

1999 MAZDA			
626	2.0L L4 F/I	33-2157	HP-1008 ¹
626	2.5L V6 F/I	33-2157	HP-1010 ¹
626 V	2.0L L4 DSL	33-2177-1	
626 V	2.0L L4 F/I	33-2676	HP-1008 ¹
B2500	2.5L L4 F/I	33-2106-1 ♦	HP-2009 ¹
B3000	3.0L V6 F/I	33-2106-1 ♦	HP-2009 ¹
B4000	4.0L V6 F/I	33-2106-1 ♦	HP-3001 ¹
Bongo	2.5L L4 DSL - SGL3, SGL5, Up to VIN 40000	E-9280	
Miata	1.8L L4 F/I	33-2676 ♦	HP-1008 ¹
MX-5 II	1.8L L4 F/I	33-2676 ♦	HP-1008 ¹
Protege	1.6L L4 F/I	33-2134	HP-1008 ¹
Protege	1.8L L4 F/I	33-2134	HP-1008 ¹

1998 MAZDA			
626	2.0L L4 F/I	33-2157	HP-1008 ¹
626	2.5L V6 F/I	33-2157	
626 V	2.0L L4 DSL	33-2177-1	
626 V	2.0L L4 F/I	33-2676	HP-1008 ¹
B2500	2.5L L4 F/I	33-2106-1 ♦	HP-2009 ¹
B3000	3.0L V6 F/I	33-2106-1 ♦	HP-2009 ¹
B4000	4.0L V6 F/I	33-2106-1 ♦	HP-3001 ¹
Miata	1.8L L4 F/I	33-2676 ♦	HP-1008 ¹
MPV	3.0L V6 F/I	33-2117	HP-1010 ¹
MPV I	3.0L V6 F/I	33-2117	HP-1010 ¹
Protege	1.5L L4 F/I	33-2134	HP-1008 ¹
Protege	1.8L L4 F/I	33-2134	HP-1008 ¹

1997 MAZDA			
323 V	1.5L L4 F/I	33-2134 ♦	
626	2.0L L4 F/I	33-2049	HP-1008 ¹
626 III	2.0L L4 F/I - 90/140BHP	33-2026	
626 IV	2.0L L4 F/I	33-2676	
626 V	2.0L L4 F/I	33-2676	HP-1008 ¹
B2300	2.3L L4 F/I	E-0995	HP-3001 ¹
		E-0995 ♦	HP-3001 ¹
B4000	4.0L V6 F/I	E-0995 ♦	HP-3001 ¹
Miata	1.8L L4 F/I	33-2034 ♦	HP-1008 ¹
MX-5 I	1.8L L4 F/I	33-2676 ♦	
MX-6	2.5L V6 F/I	33-2049 ♦	HP-1010 ¹

Vehicle	Engine Type	Air Filter	Oil Filter
1997 MAZDA			
Protege	1.5L L4 F/I	33-2134	HP-1008 ¹
1996 MAZDA			
B2300	2.3L L4 F/I	E-0995	HP-3001 ¹
		E-0995 ♦	HP-3001 ¹
B3000	3.0L V6 F/I	E-0995	HP-2009 ¹
B4000	4.0L V6 F/I	E-0995	HP-3001 ¹
Miata	1.8L L4 F/I	33-2034 ♦	HP-1008 ¹
MX-5 I	1.6L L4 F/I	33-2034 ♦	
MX-5 I	1.8L L4 F/I	33-2676 ♦	
MX-6	2.5L V6 F/I	33-2049 ♦	HP-1010 ¹
Protege	1.5L L4 F/I	33-2134	HP-1008 ¹
RX-7 III	1.3L R2 F/I	33-2017	HP-1008 ¹

1995 MAZDA			
B2300	2.3L L4 F/I	E-0995	HP-3001 ¹
		E-0995 ♦	HP-3001 ¹
Miata	1.8L L4 F/I	33-2034 ♦	HP-1008 ¹
MX-5 I	1.8L L4 F/I	33-2676 ♦	
MX-6	2.5L V6 F/I	33-2049 ♦	HP-1010 ¹
Protege	1.8L L4 F/I	33-2134	HP-1008 ¹
RX-7	1.3L R2 F/I	33-2017	HP-1008 ¹
RX-7 III	1.3L R2 F/I	33-2017	HP-1008 ¹

1994 MAZDA			
323 III	1.6L L4 F/I	33-2027	
B2300	2.3L L4 F/I	33-2024	HP-3001 ¹
B3000	3.0L V6 F/I	33-2024	HP-2009 ¹
B4000	4.0L V6 F/I	33-2024	HP-3001 ¹
Miata	1.8L L4 F/I	33-2034 ♦	HP-1008 ¹
MX-3	1.6L L4 F/I	33-2083 ♦	HP-1008 ¹
MX-3	1.8L V6 F/I	33-2083	HP-1010 ¹
MX-5 I	1.8L L4 F/I	33-2676 ♦	
MX-6	2.5L V6 F/I	33-2049 ♦	HP-1010 ¹
Protege	1.8L L4 F/I	33-2034	HP-1008 ¹
RX-7	1.3L R2 F/I	33-2017	HP-1008 ¹
RX-7 III	1.3L R2 F/I	33-2017	HP-1008 ¹

1993 MAZDA			
626	2.5L V6 F/I	33-2049	HP-1010 ¹
626 IV	2.5L V6 F/I	33-2049	HP-1010 ¹
B2200	2.2L L4 CARB	E-2790	HP-1006
B2200	2.2L L4 F/I	33-2117	HP-1006
B2600	2.6L L4 F/I	33-2117	HP-1010 ¹
Miata	1.6L L4 F/I	33-2034 ♦	HP-1008 ¹
MX-3	1.6L L4 F/I	33-2083 ♦	HP-1008 ¹
MX-3	1.8L V6 F/I	33-2083	HP-1010 ¹
MX-5 I	1.6L L4 F/I	33-2034	
MX-6	2.0L L4 F/I	33-2049	HP-1006
MX-6	2.5L V6 F/I	33-2049 ♦	HP-1010 ¹
Protege	1.8L L4 F/I	33-2034	HP-1008 ¹
RX-7	1.3L R2 F/I	33-2017	HP-1008 ¹
RX-7 III	1.3L R2 F/I	33-2017	HP-1008 ¹

1992 MAZDA			
B2200	2.2L L4 CARB	E-2790	HP-1006
B2200	2.2L L4 F/I	33-2117	HP-1006
B2600	2.6L L4 F/I	33-2117	HP-1010 ¹
Miata	1.6L L4 F/I	33-2034 ♦	HP-1008 ¹
MX-3	1.6L L4 F/I	33-2083 ♦	HP-1008 ¹
MX-3	1.8L V6 F/I	33-2083	HP-1010 ¹
MX-5 I	1.6L L4 F/I	33-2034	
Protege	1.8L L4 F/I	33-2034	HP-1008 ¹
RX-7 III	1.3L R2 F/I	33-2017	

1991 MAZDA			
B2200	2.2L L4 CARB	E-2790	HP-1006

* 2 filters required ♦ Intake System Available - see page 81 +Cabin Air Filter Available - see page 453 1- Pro Series Filter Available

MAZDA

AIR & OIL FILTERS

Vehicle	Engine Type	Air Filter	Oil Filter
1991 MAZDA			
B2200	2.2L L4 F/I	33-2117	HP-1006
B2600	2.6L L4 F/I	33-2117	HP-1010 ¹
Miata	1.6L L4 F/I	33-2034 ♦	HP-1008 ¹
MX-5 I	1.6L L4 F/I	33-2034	
RX-7	1.3L R2 F/I	33-2017	HP-1004 ¹
RX-7 II	1.3L R2 F/I	33-2017	HP-1004 ¹
1990 MAZDA			
B2200	2.2L L4 CARB	E-2790	HP-1006
B2200	2.2L L4 F/I	33-2117	HP-1006
B2600	2.6L L4 F/I	33-2117	
Miata	1.6L L4 F/I	33-2034 ♦	HP-1008 ¹
MX-5 I	1.6L L4 F/I	33-2034	
RX-7	1.3L R2 F/I	33-2017	HP-1004 ¹
RX-7 II	1.3L R2 F/I	33-2017	HP-1004 ¹
1989 MAZDA			
121 I	1.3L L4 F/I	E-9181	
B2200	2.2L L4 CARB	E-2790	HP-1010 ¹
B2600	2.6L L4 F/I	33-2117	
RX-7	1.3L R2 F/I	33-2017	HP-1004 ¹
RX-7 II	1.3L R2 F/I	33-2017	HP-1004 ¹
1988 MAZDA			
323	1.6L L4 F/I	33-2027	HP-1004 ¹
323 III	1.6L L4 F/I	33-2027	HP-1004 ¹
B2200	2.2L L4 CARB	E-2790	HP-1010 ¹
RX-7	1.3L R2 F/I	33-2017	HP-1004 ¹
		33-2017 ♦	HP-1004 ¹
RX-7 II	1.3L R2 F/I	33-2017	HP-1004 ¹
1987 MAZDA			
B2000	2.0L L4 CARB	E-2790	HP-1010 ¹
B2200	2.2L L4 CARB	E-2790	HP-1010 ¹
RX-7	1.3L R2 F/I	33-2017	HP-1004 ¹
		33-2017 ♦	HP-1004 ¹
RX-7 II	1.3L R2 F/I	33-2017	HP-1004 ¹
1986 MAZDA			
B2000	2.0L L4 CARB	E-2790	HP-1010 ¹
RX-7	1.3L R2 F/I	33-2017	HP-1004 ¹
		33-2017 ♦	HP-1004 ¹
RX-7 II	1.3L R2 F/I	33-2017	HP-1004 ¹
1985 MAZDA			
RX-7	1.1L R2 CARB	E-2700	HP-1004 ¹
RX-7	1.3L R2 F/I	33-2016	HP-1004 ¹
RX-7 I	1.1L R2 CARB	E-2700	HP-1004 ¹
RX-7 II	1.3L R2 F/I	33-2017	HP-1004 ¹
1984 MAZDA			
RX-7	1.1L R2 CARB	E-2700	HP-1004 ¹
RX-7	1.3L R2 F/I	33-2016	HP-1004 ¹
RX-7 I	1.1L R2 CARB	E-2700	
1983 MAZDA			
RX-7	1.1L R2 CARB	E-2700	HP-1004 ¹
RX-7 I	1.1L R2 CARB	E-2700	
1982 MAZDA			
RX-7	1.1L R2 CARB	E-2700	
RX-7 I	1.1L R2 CARB	E-2700	
1980 MAZDA			
RX-7	1.1L R2 CARB	E-2700	HP-1004 ¹
RX-7 I	1.1L R2 CARB	E-2700	
1979 MAZDA			
RX-7	1.1L R2 CARB	E-2700	

Vehicle	Engine Type	Air Filter	Oil Filter
1979 MAZDA			
RX-7 I	1.1L R2 CARB	E-2700	
2012 MCLAREN			
MP4-12C	3.8L V8 F/I	E-0667	
2016 MERCEDES BENZ			
C300	2.0L L4 F/I	33-3034	
C450 AMG	3.0L V6 F/I	33-5032*	
CLA45 AMG	2.0L L4 F/I	E-0661	
CLA250	2.0L L4 F/I	33-2995	
E63 AMG S	5.5L V8 F/I	33-2474	
E350	3.5L V6 F/I	33-2985	
E400	3.0L V6 F/I	33-5032*	
GL450	3.0L V6 F/I	33-5032*	
GLE400	3.0L V6 F/I	33-5032*	
GLE450 AMG	3.0L V6 F/I	33-5032*	
SL400	3.0L V6 F/I	33-5032*	
2015 MERCEDES BENZ			
A45 AMG	2.0L L4 F/I	E-0661	
B250	2.0L L4 F/I	33-2995	
C250	2.0L L4 F/I	33-3034	
C300	2.0L L4 F/I	33-3034	
C350	3.5L V6 F/I	33-2985	
C400	3.0L V6 F/I	33-5032*	
CLA45 AMG	2.0L L4 F/I	E-0661	
CLA250	2.0L L4 F/I	33-2995	
CLS400	3.0L V6 F/I	33-5032*	
CLS63 AMG S	5.5L V8 F/I	33-2474	
E63 AMG	5.5L V8 F/I	33-2474	
E63 AMG S	5.5L V8 F/I	33-2474	
E250	2.1L L4 DSL - Non-US, OEM A6510940004	E-2998	
E350	3.5L V6 F/I	33-2985	
E400	3.0L V6 F/I	33-5032*	
E400	3.5L V6 F/I	33-2985	
G63 AMG	5.5L V8 F/I	33-2474	
G65 AMG	6.0L V12 F/I	33-2412	
G550	5.5L V8 F/I	33-2181	
GL63 AMG	5.5L V8 F/I	33-2474	
GL350	3.0L V6 DSL		PS-7028
GL350	3.0L V6 DSL - US	33-2940	PS-7028
GL450	3.0L V6 F/I	33-5032*	
GL550	4.6L V8 F/I	33-2474	
GLA45 AMG	2.0L L4 F/I	E-0661	
GLA250	2.0L L4 F/I	33-2995	
GLK250	2.1L L4 DSL - Non-US, OEM A6510940004	E-2998	
	2.1L L4 DSL - Non-US, OEM A6510940104	E-0654	
GLK250	2.1L L4 DSL - US	E-0654	
GLK250	2.1L L4 DSL - US	E-0654	
GLK350	3.5L V6 F/I	33-2985	
ML63 AMG	5.5L V8 F/I	33-2474	
ML350	3.5L V6 F/I	33-2985	PS-7028
ML400	3.0L V6 F/I	33-5032*	
S63 AMG	5.5L V8 F/I	33-2474	
S65 AMG	6.0L V12 F/I	33-2412	PS-7033
S500	4.7L V8 F/I	33-2474	
S500 Maybach	4.7L V8 F/I	33-2474	
S550	4.6L V8 F/I	33-2474	
S600	6.0L V12 F/I	33-2412	
S600 Maybach	6.0L V12 F/I	33-2412	
SL63 AMG	5.5L V8 F/I	33-2474	
SL400	3.0L V6 F/I	33-5032*	
SL550	4.6L V8 F/I	33-2474*	
SLK250	1.8L L4 F/I	33-2965	
Sprinter 2500	2.1L L4 DSL	33-2391	

* 2 filters required ♦ Intake System Available - see page 81 +Cabin Air Filter Available - see page 453 1- Pro Series Filter Available

AIR & OIL FILTERS

MERCEDES BENZ

Vehicle	Engine Type	Air Filter	Oil Filter
---------	-------------	------------	------------

2015 MERCEDES BENZ

Sprinter 2500	3.0L V6 DSL	33-2391	PS-7028
Sprinter 3500	2.1L L4 DSL	33-2391	
Sprinter 3500	3.0L V6 DSL	33-2391	PS-7028

2014 MERCEDES BENZ

A45 AMG	2.0L L4 F/I	E-0661	
A180	1.6L L4 F/I	33-2995	
A250	2.0L L4 F/I	33-2995	
B250	2.0L L4 F/I	33-2995	
C63 AMG	6.2L V8 F/I	33-2405*	
C63 AMG	6.3L V8 F/I	33-2405*	
C250	1.8L L4 F/I	33-2965	
C250	2.1L L4 DSL - 4-matic	E-0654	
C250	2.1L L4 DSL - Exc.	E-2998	
C300	3.5L V6 F/I	33-2985	
C350	3.5L V6 F/I	33-2985	
CL63 AMG	5.5L V8 F/I	33-2474	
CLA45 AMG	2.0L L4 F/I	E-0661	
CLA250	2.0L L4 F/I	33-2995	
CLS550	4.6L V8 F/I	33-2474	
CLS63 AMG S	5.5L V8 F/I	33-2474	
E63 AMG	5.5L V8 F/I	33-2474	
E63 AMG S	5.5L V8 F/I	33-2474	
E250	2.1L L4 DSL - Non-US, OEM A6510940004	E-2998	
E250	2.1L L4 DSL - Non-US, OEM A6510940104	E-0654	
E250	2.1L L4 DSL - US	E-0654	
E350	3.5L V6 F/I	33-2985	
E550	4.6L V8 F/I	33-2474	
G63 AMG	5.5L V8 F/I	33-2474	
GL63 AMG	5.5L V8 F/I	33-2474	
GL350	3.0L V6 DSL		PS-7028
GL350	3.0L V6 DSL - US	33-2940	PS-7028
GL450	4.6L V8 F/I	33-2474	
GL550	4.6L V8 F/I	33-2474	
GLA250	2.0L L4 F/I	33-2995	
GLK250	2.1L L4 DSL - Non-US, OEM A6510940004	E-2998	
GLK250	2.1L L4 DSL - Non-US, OEM A6510940104	E-0654	
GLK250	2.1L L4 DSL - US	E-0654	
GLK350	3.5L V6 F/I	33-2985	
ML63 AMG	5.5L V8 F/I	33-2474	
ML350	3.0L V6 DSL		PS-7028
ML350	3.0L V6 DSL - US	33-2940	PS-7028
ML350	3.5L V6 F/I	33-2985	
S63 AMG	5.5L V8 F/I	33-2474	
S550	4.6L V8 F/I	33-2474	
SL63 AMG	5.5L V8 F/I	33-2474	
SL550	4.6L V8 F/I	33-2474*	
SLK250	1.8L L4 F/I	33-2965	
SLK350	3.5L V6 F/I	33-2985	
Sprinter	3.0L V6 DSL	33-2391	PS-7028
Sprinter 2500	2.1L L4 DSL	33-2391	
Sprinter 2500	3.0L V6 DSL	33-2391	PS-7028
Sprinter 3500	2.1L L4 DSL	33-2391	
Sprinter 3500	3.0L V6 DSL	33-2391	PS-7028

2013 MERCEDES BENZ

A180	1.8L L4 DSL	33-2996	
A250	2.0L L4 F/I	33-2995	
B250	2.0L L4 F/I	33-2995	
C63 AMG	6.2L V8 F/I	33-2405*	
C63 AMG	6.3L V8 F/I	33-2405*	
C250	1.8L L4 F/I	33-2965	

Vehicle	Engine Type	Air Filter	Oil Filter
---------	-------------	------------	------------

2013 MERCEDES BENZ

C250	2.1L L4 DSL - 4-matic	E-0654	
C250	2.1L L4 DSL - Exc.	E-2998	
C300	3.5L V6 F/I	33-2985	
C350	3.5L V6 F/I	33-2985	
CL550	4.6L V8 F/I	33-2474	
CLA250	2.0L L4 F/I	33-2995	
CLS63 AMG	5.5L V8 F/I	33-2474	
CLS550	4.6L V8 F/I	33-2474	
E63 AMG	5.5L V8 F/I	33-2474	
E350	3.0L V6 DSL		PS-7028
E350	3.0L V6 DSL - US	33-2940	PS-7028
E350	3.5L V6 F/I	33-2985	
E550	4.6L V8 F/I	33-2474	
G500	5.5L V8 F/I	33-2181*	
G550	5.5L V8 F/I	33-2181	PS-7004
GL63 AMG	5.5L V8 F/I	33-2474	
GL350	3.0L V6 DSL		PS-7028
GL350	3.0L V6 DSL - US	33-2940	PS-7028
GL450	4.6L V8 F/I	33-2474	
GL550	4.6L V8 F/I	33-2474	
GLK250	2.1L L4 DSL - Non-US, OEM A6510940004	E-2998	
GLK250	2.1L L4 DSL - Non-US, OEM A6510940104	E-0654	
GLK250	2.1L L4 DSL - US	E-0654	
GLK350	3.5L V6 F/I	33-2985	
ML350	3.0L V6 DSL		PS-7028
ML350	3.0L V6 DSL - US	33-2940	PS-7028
ML350	3.5L V6 F/I	33-2985	
ML550	4.6L V8 F/I	33-2474	
S550	4.6L V8 F/I	33-2474	
SL63 AMG	5.5L V8 F/I	33-2474	
SL550	4.6L V8 F/I	33-2474	
SLK250	1.8L L4 F/I	33-2965	
SLK350	3.5L V6 F/I	33-2985	
Sprinter 2500	3.0L V6 DSL	33-2391	PS-7028
Sprinter 3500	3.0L V6 DSL	33-2391	PS-7028

2012 MERCEDES BENZ

B180	1.8L L4 DSL	33-2996	
C63 AMG	6.3L V8 F/I	33-2405*	
C180	1.8L L4 F/I	33-2965	
C220	2.1L L4 DSL - Exc.	E-2998	
C250	1.8L L4 F/I	33-2965	
C250	2.1L L4 DSL - 4-matic	E-0654	
C250	2.1L L4 DSL - Exc.	E-2998	
C250	2.5L V6 F/I		PS-7004
C250 CGi	1.8L L4 F/I	33-2965	
C300	3.0L V6 F/I	33-2181*	PS-7004
C350	3.5L V6 F/I	33-2985	
CL550	4.6L V8 F/I	33-2474	
CLS63 AMG	5.5L V8 F/I	33-2474	
CLS550	4.6L V8 F/I	33-2474	
E63 AMG	5.5L V8 F/I	33-2474	
E350	3.0L V6 DSL	33-2940	PS-7028
E350	3.5L V6 F/I	33-2985	
E550	4.6L V8 F/I	33-2474	
GL350	3.0L V6 DSL		PS-7028
GL350	3.0L V6 DSL - US	33-2940	PS-7028
GL450	4.0L V8 DSL	33-2973	
GL450	4.6L V8 F/I	33-2181*	PS-7004
GL550	5.5L V8 F/I	33-2181*	PS-7004
GLK350	3.5L V6 F/I		PS-7004

* 2 filters required ♦ Intake System Available - see page 81 +Cabin Air Filter Available - see page 453 1- Pro Series Filter Available

MERCEDES BENZ

AIR & OIL FILTERS

Vehicle	Engine Type	Air Filter	Oil Filter
2012 MERCEDES BENZ			
GLK350	3.5L V6 F/I - Non-US	33-2985	PS-7004
GLK350	3.5L V6 F/I - US	33-2181*	PS-7004
ML350	3.0L V6 DSL		PS-7028
ML350	3.0L V6 DSL - US	33-2940	PS-7028
ML350	3.5L V6 F/I	33-2985	
ML550	4.6L V8 F/I	33-2474	
S550	4.6L V8 F/I	33-2474	
SL550	5.5L V8 F/I	33-2181*	
SLK250	1.8L L4 F/I	33-2965	
SLK350	3.5L V6 F/I	33-2985	
Sprinter 2500	3.0L V6 DSL	33-2391	PS-7028
Sprinter 3500	3.0L V6 DSL	33-2391	PS-7028
Vito	2.1L L4 DSL	33-2912	

2011 MERCEDES BENZ			
B200	2.0L L4 F/I	33-2914	
C63 AMG	6.3L V8 F/I	33-2405*	
C200 Kompressor	1.8L L4 F/I	E-2011	
C220	2.1L L4 DSL - Exc. 4-matic	E-2998	
C250	2.1L L4 DSL - Exc. 4-matic	E-2998	
C250	2.5L V6 F/I		PS-7004
C250 CGi	1.8L L4 F/I	33-2965	
C300	3.0L V6 F/I	33-2181*	PS-7004
C350	3.5L V6 F/I		PS-7004
C350	3.5L V6 F/I - 272BHP	33-2181*	PS-7004
C350	3.5L V6 F/I - 306BHP	33-2985	PS-7004
C350	3.5L V6 F/I - US	33-2181*	PS-7004
CLS63 AMG	6.3L V8 F/I	33-2405*	
CLS550	5.5L V8 F/I	33-2181*	
E63 AMG	5.5L V8 F/I	33-2474	
E63 AMG	6.3L V8 F/I	33-2405*	
E350	3.0L V6 DSL		PS-7028
E350	3.5L V6 F/I		PS-7004
E350	3.5L V6 F/I - 272BHP	33-2181*	PS-7004
E350	3.5L V6 F/I - 306BHP	33-2985	PS-7004
E350	3.5L V6 F/I - US	33-2181*	PS-7004
E550	5.5L V8 F/I	33-2181*	PS-7004
GL350	3.0L V6 DSL		PS-7028
GL350	3.0L V6 DSL - US	33-2940	PS-7028
GL450	4.6L V8 F/I	33-2181*	PS-7004
GL550	5.5L V8 F/I	33-2181*	PS-7004
GLK350	3.5L V6 F/I		PS-7004
GLK350	3.5L V6 F/I - 272BHP	33-2181*	PS-7004
GLK350	3.5L V6 F/I - 306BHP	33-2985	PS-7004
GLK350	3.5L V6 F/I - US	33-2181*	PS-7004
ML63 AMG	6.3L V8 F/I	33-2405*	
ML350	3.0L V6 DSL		PS-7028
ML350	3.0L V6 DSL - US	33-2940	PS-7028
ML350	3.5L V6 F/I		PS-7004
ML350	3.5L V6 F/I - 272BHP	33-2181*	PS-7004
ML350	3.5L V6 F/I - 306BHP	33-2985	PS-7004
ML350	3.5L V6 F/I - US	33-2181*	PS-7004
ML550	5.5L V8 F/I	33-2181*	
R350	3.0L V6 DSL - US	33-2940	
R350	3.5L V6 F/I	33-2181*	
S550	5.5L V8 F/I		PS-7004
SL63 AMG	6.3L V8 F/I	33-2405*	
SL550	5.5L V8 F/I	33-2181*	
SLK300	3.0L V6 F/I	33-2181*	
Sprinter 2500	3.0L V6 DSL	33-2391	PS-7028
Sprinter 3500	3.0L V6 DSL	33-2391	PS-7028
Viano	2.2L L4 DSL	33-2912	
Vito	3.0L V6 F/I	33-2912	

Vehicle	Engine Type	Air Filter	Oil Filter
2011 MERCEDES BENZ			
Vito	3.5L V6 F/I	33-2912	
2010 MERCEDES BENZ			
B200	2.0L L4 F/I	33-2914	
C63 AMG	6.3L V8 F/I	33-2405*	
C200 Kompressor	1.8L L4 F/I	E-2011	
C250	2.1L L4 DSL - Exc. 4-matic	E-2998	
C250	2.5L V6 F/I		PS-7004
C250 CGi	1.8L L4 F/I	33-2965	
C300	3.0L V6 F/I	33-2181*	PS-7004
C350	3.5L V6 F/I		PS-7004
CL63 AMG	6.3L V8 F/I	33-2405*	
CL65 AMG	6.0L V12 F/I	33-2412	
CLS63 AMG	6.3L V8 F/I	33-2405*	
CLS550	5.5L V8 F/I	33-2181*	
E63 AMG	6.3L V8 F/I	33-2405*	
E320	3.0L V6 DSL	33-2940	
E350	3.5L V6 F/I	33-2181*	PS-7004
E550	5.5L V8 F/I	33-2181*	PS-7004
GL350	3.0L V6 DSL - US	33-2940	
GL450	4.6L V8 F/I	33-2181*	PS-7004
GL550	5.5L V8 F/I	33-2181*	
GLK350	3.5L V6 F/I	33-2181*	PS-7004
ML63 AMG	6.3L V8 F/I	33-2405*	
ML350	3.0L V6 DSL		PS-7028
ML350	3.0L V6 DSL - US	33-2940	PS-7028
ML350	3.5L V6 F/I	33-2181*	PS-7004
R350	3.5L V6 F/I	33-2181*	
S63 AMG	6.2L V8 F/I	33-2405*	
S400 Hybrid	3.5L V6 F/I		PS-7004
S400 Hybrid	3.5L V6 F/I - Non-US, 279BHP	33-2181*	PS-7004
S400 Hybrid	3.5L V6 F/I - US	33-2181*	PS-7004
S500	5.5L V8 F/I	33-2181*	
S550	5.5L V8 F/I	33-2181*	PS-7004
S600	5.5L V12 F/I	33-2412	
SL63 AMG	6.3L V8 F/I	33-2405*	
SLK350	3.5L V6 F/I	33-2181*	
Sprinter 2500	3.0L V6 DSL	33-2391	
Sprinter 3500	3.0L V6 DSL	33-2391	

2009 MERCEDES BENZ			
C63 AMG	6.3L V8 F/I	33-2405*	
C230	2.5L V6 F/I		PS-7004
C300	3.0L V6 F/I	33-2181*	PS-7004
C350	3.0L V6 DSL	33-2940	
C350	3.5L V6 F/I	33-2181*	PS-7004
CL63 AMG	6.3L V8 F/I	33-2405*	
CLK350	3.5L V6 F/I	33-2181*	PS-7004
CLK550	5.5L V8 F/I	33-2181*	PS-7004
CLS63 AMG	6.3L V8 F/I	33-2405*	
CLS550	5.5L V8 F/I	33-2181*	PS-7004
E63 AMG	6.3L V8 F/I	33-2405*	
E320	3.0L V6 DSL	33-2940	PS-7028
E350	3.5L V6 F/I	33-2181*	PS-7004
E550	5.5L V8 F/I	33-2181*	PS-7004
GL320	3.0L V6 DSL	33-2940	PS-7028
GL450	4.6L V8 F/I	33-2181*	PS-7004
GL550	5.5L V8 F/I	33-2181*	PS-7004
ML63 AMG	6.3L V8 F/I	33-2405*	
ML320	3.0L V6 DSL	33-2940	PS-7028
ML350	3.0L V6 DSL	33-2940	
ML350	3.5L V6 F/I	33-2181*	PS-7004
ML550	5.5L V8 F/I	33-2181*	PS-7004
R350	3.5L V6 F/I	33-2181*	

* 2 filters required ♦ Intake System Available - see page 81 +Cabin Air Filter Available - see page 453 1- Pro Series Filter Available

AIR & OIL FILTERS

MERCEDES BENZ

Vehicle	Engine Type	Air Filter	Oil Filter
2009 MERCEDES BENZ			
S63 AMG	6.2L V12 F/I	33-2405*	
S550	5.5L V8 F/I	33-2181*	PS-7004
SL63 AMG	6.3L V8 F/I	33-2405*	
SL550	5.5L V8 F/I	33-2181*	PS-7004
SLK300	3.0L V6 F/I	33-2181*	PS-7004
SLK350	3.5L V6 F/I	33-2181*	

Vehicle	Engine Type	Air Filter	Oil Filter
2008 MERCEDES BENZ			
B200	2.0L L4 DSL	33-2915	
B200	2.0L L4 F/I	33-2914	
C63 AMG	6.3L V8 F/I	33-2405*	
C200 Kompressor	1.8L L4 F/I	E-2011	
C220	2.2L L4 DSL	E-2018	
C230	2.5L V6 F/I	33-2181*	PS-7004
C280	3.0L V6 F/I	33-2181*	
C300	3.0L V6 F/I	33-2181*	PS-7004
C350	3.5L V6 F/I	33-2181*	PS-7004
CL63 AMG	6.3L V8 F/I	33-2405*	
CL550	5.5L V8 F/I	33-2181*	
CLK63 AMG	6.3L V8 F/I	33-2405*	
CLK350	3.5L V6 F/I	33-2181*	PS-7004
CLK550	5.5L V8 F/I	33-2181*	PS-7004
CLS55 AMG	5.5L V8 F/I	33-2181*	
CLS63 AMG	6.3L V8 F/I	33-2405*	
CLS550	5.5L V8 F/I		PS-7004
E63 AMG	6.3L V8 F/I	33-2405*	
E280	3.0L V6 DSL	33-2940	
E280	3.0L V6 F/I		PS-7004
E320	3.0L V6 DSL	33-2940	PS-7028
E350	3.5L V6 F/I	33-2181*	PS-7004
E550	5.5L V8 F/I	33-2181*	PS-7004
GL320	3.0L V6 DSL	33-2940	PS-7028
GL450	4.6L V8 F/I	33-2181*	PS-7004
GL550	5.5L V8 F/I	33-2181*	
ML63 AMG	6.3L V8 F/I	33-2405*	
ML320	3.0L V6 DSL	33-2940	PS-7028
ML350	3.5L V6 F/I	33-2181*	PS-7004
ML550	5.5L V8 F/I	33-2181*	
R320	3.0L V6 DSL	33-2940	PS-7028
R350	3.5L V6 F/I	33-2181*	PS-7004
S63 AMG	6.2L V8 F/I	33-2405*	
S63 AMG	6.3L V8 F/I	33-2405*	
S550	5.5L V8 F/I	33-2181*	PS-7004
SL550	5.5L V8 F/I	33-2181*	PS-7004
SLK55 AMG	5.5L V8 F/I	33-2181*	
SLK280	3.0L V6 F/I	33-2181*	
SLK350	3.5L V6 F/I	33-2181*	
Sprinter	3.0L V6 DSL	33-2391	

Vehicle	Engine Type	Air Filter	Oil Filter
2007 MERCEDES BENZ			
B200	2.0L L4 DSL	33-2915	
B200	2.0L L4 F/I	33-2914	
C63 AMG	6.3L V8 F/I	33-2405*	
C230	2.5L V6 F/I	33-2181*	PS-7004
C280	3.0L V6 DSL	33-2940	
C280	3.0L V6 F/I	33-2181*	PS-7004
C350	3.5L V6 F/I	33-2181*	PS-7004
CL63 AMG	6.3L V8 F/I	33-2405*	
CL550	5.5L V8 F/I	33-2181*	
CL600	5.5L V12 F/I	33-2412	
CLK63 AMG	6.3L V8 F/I	33-2405*	
CLK350	3.5L V6 F/I	33-2181*	PS-7004
CLK550	5.5L V8 F/I		PS-7004
CLS63 AMG	6.3L V8 F/I	33-2405*	
CLS550	5.5L V8 F/I	33-2181*	PS-7004

Vehicle	Engine Type	Air Filter	Oil Filter
2007 MERCEDES BENZ			
E63 AMG	6.3L V8 F/I	33-2405*	
E320	3.0L V6 DSL	33-2940	PS-7028
E350	3.5L V6 F/I	33-2181*	PS-7004
E550	5.5L V8 F/I	33-2181*	PS-7004
G55 AMG	5.5L V8 F/I	33-2181*	
GL320	3.0L V6 DSL	33-2940	
GL450	4.6L V8 F/I	33-2181*	PS-7004
ML63 AMG	6.3L V8 F/I	33-2405*	
ML320	3.0L V6 DSL	33-2940	PS-7028
ML350	3.5L V6 F/I	33-2181*	PS-7004
ML500	5.0L V8 F/I	33-2181*	
R63 AMG	6.3L V8 F/I	33-2405*	
R320	3.0L V6 DSL	33-2940	
R350	3.5L V6 F/I	33-2181*	PS-7004
S65 AMG	6.0L V12 F/I	33-2412	
S500	5.5L V8 F/I	33-2181*	
S550	5.5L V8 F/I	33-2181*	PS-7004
S600	5.5L V12 F/I	33-2412	
SL55 AMG	5.5L V8 F/I	33-2181*	PS-7004
SL65 AMG	6.0L V12 F/I	33-2412	
SL550	5.5L V8 F/I	33-2181*	PS-7004
SL600	5.5L V12 F/I	33-2412	
SLK55 AMG	5.5L V8 F/I	33-2181*	
SLK280	3.0L V6 F/I	33-2181*	PS-7004
SLK350	3.5L V6 F/I	33-2181*	PS-7004
Sprinter	3.0L V6 DSL	33-2391	

Vehicle	Engine Type	Air Filter	Oil Filter
2006 MERCEDES BENZ			
C55 AMG	5.5L V8 F/I	33-2181*	PS-7004
C230	2.5L V6 F/I	33-2181*	PS-7004
C280	3.0L V6 DSL	33-2940	
C280	3.0L V6 F/I	33-2181*	PS-7004
C350	3.5L V6 F/I	33-2181*	PS-7004
CL55 AMG	5.5L V8 F/I	33-2181*	
Kompressor			
CL500	5.0L V8 F/I	33-2181*	
CLK55 AMG	5.5L V8 F/I	33-2181*	
CLK350	3.5L V6 F/I	33-2181*	PS-7004
CLK500	5.0L V8 F/I	33-2181*	PS-7004
CLS55 AMG	5.5L V8 F/I	33-2181*	PS-7004
CLS500	5.0L V8 F/I	33-2181*	PS-7004
CLS500	5.5L V8 F/I	33-2181*	
E55 AMG	5.5L V8 F/I	33-2181*	PS-7004
E63 AMG	6.3L V8 F/I	33-2405*	
E320	3.0L V6 DSL	33-2940	
E320	3.2L L6 DSL		HP-7017 ¹
E320	3.2L V6 F/I	33-2181*	
E350	3.5L V6 F/I	33-2181*	PS-7004
E500	5.0L V8 F/I	33-2181*	PS-7004
ML350	3.5L V6 F/I	33-2181*	PS-7004
ML500	5.0L V8 F/I	33-2181*	PS-7004
R350	3.5L V6 F/I	33-2181*	PS-7004
R500	5.0L V8 F/I	33-2181*	PS-7004
S55 AMG	5.5L V8 F/I		PS-7004
S65 AMG	6.0L V12 F/I	33-2412	PS-7033
S350	3.7L V6 F/I	33-2181*	
S430	4.3L V8 F/I	33-2181*	PS-7004
S500	5.0L V8 F/I	33-2181*	PS-7004
S500	5.5L V8 F/I	33-2181*	
S600	5.5L V12 F/I	33-2412	
SL55 AMG	5.5L V8 F/I	33-2181*	
SL500	5.0L V8 F/I	33-2181*	PS-7004
SLK55 AMG	5.5L V8 F/I	33-2181*	PS-7004
SLK280	3.0L V6 F/I	33-2181*	PS-7004
SLK350	3.5L V6 F/I	33-2181*	PS-7004

* 2 filters required ♦ Intake System Available - see page 81 +Cabin Air Filter Available - see page 453 1- Pro Series Filter Available

MERCEDES BENZ

AIR & OIL FILTERS

Vehicle	Engine Type	Air Filter	Oil Filter
---------	-------------	------------	------------

2006 MERCEDES BENZ

Sprinter	2.7L L5 DSL	33-2764	
----------	-------------	---------	--

2005 MERCEDES BENZ

C55 AMG	5.5L V8 F/I	33-2181*	PS-7004
C230	1.8L L4 F/I	E-2011	
C230	2.5L V6 F/I	33-2181*	
C230 Kompressor	1.8L L4 F/I	E-2011	
C240	2.6L V6 F/I	33-2181*	PS-7004
C320	3.0L V6 DSL	33-2940	
C320	3.2L V6 F/I	33-2181*	PS-7004
CL55 AMG	5.5L V8 F/I	33-2181*	
CL55 AMG Kompressor	5.5L V8 F/I	33-2181*	PS-7004
CL65 AMG	6.0L V12 F/I	33-2412	
CL500	5.0L V8 F/I	33-2181*	
CLK55 AMG	5.5L V8 F/I	33-2181*	
CLK200 Kompressor	1.8L L4 F/I	E-2011	
CLK320	3.0L V6 DSL	33-2940	
CLK320	3.2L V6 F/I	33-2181*	PS-7004
CLK350	3.5L V6 F/I	33-2181*	
CLK500	5.0L V8 F/I	33-2181*	PS-7004
E55 AMG	5.5L V8 F/I	33-2181*	PS-7004
E320	3.0L V6 DSL - from 5/05	33-2940	
E320	3.2L L6 DSL		HP-7017 ¹
E320	3.2L V6 F/I	33-2181*	PS-7004
E350	3.5L V6 F/I	33-2181*	
E500	5.0L V8 F/I	33-2181*	PS-7004
ML350	3.5L V6 F/I	33-2181*	
ML350	3.7L V6 F/I	33-2703	PS-7004
ML500	5.0L V8 F/I		PS-7004
ML500	5.0L V8 F/I - Non-US, from 7/05	33-2181*	PS-7004
ML500	5.0L V8 F/I - Non-US, to 6/05	33-2703	PS-7004
ML500	5.0L V8 F/I - US	33-2703	PS-7004
S55 AMG	5.4L V8 F/I	33-2181*	
S55 AMG Kompressor	5.4L V8 F/I	33-2181*	
S430	4.3L V8 F/I	33-2181*	
S500	5.0L V8 F/I	33-2181*	PS-7004
S500	5.5L V8 F/I	33-2181*	
SL55 AMG	5.5L V8 F/I	33-2181*	PS-7004
SL500	5.0L V8 F/I	33-2181*	PS-7004
SL600	5.5L V12 F/I	33-2412	
SLK55 AMG	5.5L V8 F/I	33-2181*	PS-7004
SLK350	3.5L V6 F/I	33-2181*	PS-7004

2004 MERCEDES BENZ

C32 AMG	3.2L V6 F/I	33-2256*	
C180 Kompressor	1.8L L4 F/I	E-2011	
C230	1.8L L4 F/I	E-2011	
C230 Kompressor	1.8L L4 F/I	E-2011	
C240	2.6L V6 F/I	33-2181*	PS-7004
C320	3.2L V6 F/I	33-2181*	PS-7004
CL55 AMG	5.5L V8 F/I	33-2181*	
CL55 AMG Kompressor	5.5L V8 F/I	33-2181*	PS-7004
CL500	5.0L V8 F/I	33-2181*	PS-7004
CL600	5.5L V12 F/I	33-2412	
CLK55 AMG	5.5L V8 F/I	33-2181*	PS-7004
CLK320	3.2L V6 F/I	33-2181*	PS-7004
CLK500	5.0L V8 F/I	33-2181*	PS-7004
E55 AMG	5.5L V8 F/I	33-2181*	PS-7004
E320	3.2L L6 DSL	E-2992	HP-7017 ¹
E320	3.2L V6 F/I	33-2181*	PS-7004
E500	5.0L V8 F/I	33-2181*	PS-7004

Vehicle	Engine Type	Air Filter	Oil Filter
---------	-------------	------------	------------

2004 MERCEDES BENZ

ML350	3.7L V6 F/I	33-2703	PS-7004
S55 AMG Kompressor	5.4L V8 F/I	33-2181*	
S430	4.3L V8 F/I	33-2181*	PS-7004
S500	5.0L V8 F/I	33-2181*	PS-7004
S600	5.5L V12 F/I	33-2412	
SL55 AMG	5.5L V8 F/I	33-2181*	PS-7004
SL500	5.0L V8 F/I	33-2181*	PS-7004
SL600	5.5L V12 F/I	33-2412	PS-7033
SLK32 AMG	3.2L V6 F/I	33-2256*	
SLK200 Kompressor	1.8L L4 F/I	E-2011	
SLK230	2.3L L4 F/I	33-2767	PS-7008
SLK320	3.2L V6 F/I	33-2185*	PS-7004

2003 MERCEDES BENZ

C32 AMG	3.2L V6 F/I	33-2256*	PS-7004
C230	1.8L L4 F/I	E-2011	
C230 Kompressor	1.8L L4 F/I	E-2011	
C240	2.6L V6 F/I	33-2181*	PS-7004
C320	3.2L V6 F/I	33-2181*	PS-7004
CL55 AMG	5.5L V8 F/I - Non-US	33-2181*	
CL55 AMG Kompressor	5.5L V8 F/I	33-2181*	PS-7004
CL500	5.0L V8 F/I	33-2181*	
CL600	5.5L V12 F/I	33-2412	PS-7033
CLK55 AMG	5.5L V8 F/I	33-2181*	PS-7004
CLK240	2.6L V6 F/I	33-2181*	
CLK320	3.2L V6 F/I		PS-7004
CLK320	3.2L V6 F/I - Convertible	33-2703	PS-7004
CLK320	3.2L V6 F/I - Coupe	33-2181*	PS-7004
CLK320	3.2L V6 F/I - Non-US	33-2181*	PS-7004
CLK430	4.3L V8 F/I		PS-7004
CLK500	5.0L V8 F/I	33-2181*	PS-7004
E55 AMG	5.5L V8 F/I		PS-7004
E55 AMG	5.5L V8 F/I - Non-US	33-2181*	PS-7004
E320	3.2L L6 DSL	E-2992	
E320	3.2L V6 F/I		PS-7004
E320	3.2L V6 F/I - Sedan	33-2181*	PS-7004
E320	3.2L V6 F/I - Wagon	33-2184	PS-7004
E500	5.0L V8 F/I	33-2181*	PS-7004
G55 AMG	5.5L V8 F/I - Non-US	33-2181*	
G500	5.0L V8 F/I	33-2181*	
ML320	3.2L V6 F/I	33-2703	PS-7004
ML350	3.7L V6 F/I	33-2703	PS-7004
ML500	5.0L V8 F/I	33-2703	PS-7004
S55 AMG	5.5L V8 F/I	33-2181*	
S55 AMG Kompressor	5.4L V8 F/I	33-2181*	
S430	4.3L V8 F/I	33-2181*	PS-7004
S500	5.0L V8 F/I	33-2181*	PS-7004
S600	5.5L V12 F/I	33-2412	
SL55 AMG	5.5L V8 F/I	33-2181*	PS-7004
SL500	5.0L V8 F/I	33-2181*	PS-7004
SLK32 AMG	3.2L V6 F/I	33-2256*	PS-7004
SLK230	2.3L L4 F/I	33-2767	PS-7008
SLK320	3.2L V6 F/I	33-2185*	PS-7004

2002 MERCEDES BENZ

C32 AMG	3.2L V6 F/I	33-2256*	PS-7004
C180	2.0L L4 F/I	33-2244	
C200 Kompressor	1.8L L4 F/I	E-2011	
C200 Kompressor	2.0L L4 F/I	33-2193	
C230	2.3L L4 F/I	33-2193	PS-7008
C230 Kompressor	1.8L L4 F/I - from 6/02	E-2011	
C230 Kompressor	1.8L L4 F/I - to 5/02	33-2193	

* 2 filters required ♦ Intake System Available - see page 81 +Cabin Air Filter Available - see page 453 1- Pro Series Filter Available

AIR & OIL FILTERS

MERCEDES BENZ

Vehicle	Engine Type	Air Filter	Oil Filter
2002 MERCEDES BENZ			
C240	2.6L V6 F/I	33-2181*	PS-7004
C320	3.2L V6 F/I	33-2181*	PS-7004
CL55 AMG	5.5L V8 F/I - Non-US	33-2181*	
CL55 AMG	5.5L V8 F/I	33-2181*	
Kompressor			
CL500	5.0L V8 F/I	33-2181*	PS-7004
CLK55 AMG	5.5L V8 F/I	33-2181*	PS-7004
CLK55 AMG	5.5L V8 F/I - Non-US, 347BHP	33-2747*	PS-7004
CLK55 AMG	5.5L V8 F/I - Non-US, 367BHP	33-2181*	PS-7004
CLK55 AMG	5.5L V8 F/I - US	33-2183*	PS-7004
CLK320	3.2L V6 F/I	33-2703	PS-7004
CLK320	3.2L V6 F/I - Non-US, from 6/02	33-2181*	PS-7004
CLK320	3.2L V6 F/I - Non-US, to 5/02	33-2703	PS-7004
CLK430	4.3L V8 F/I		PS-7004
CLK430	4.3L V8 F/I - Non-US	33-2747*	PS-7004
CLK430	4.3L V8 F/I - US	33-2183*	PS-7004
E55 AMG	5.5L V8 F/I		PS-7004
E55 AMG	5.5L V8 F/I - Non-US, 354BHP	33-2747*	PS-7004
E55 AMG	5.5L V8 F/I - Non-US, 476BHP	33-2181*	PS-7004
E55 AMG	5.5L V8 F/I - US	33-2183*	PS-7004
E320	3.2L L6 DSL - 197BHP	33-2158	
E320	3.2L L6 DSL - 204BHP	E-2992	
E320	3.2L V6 F/I		PS-7004
E320	3.2L V6 F/I - Non-US, W/S210	33-2184	PS-7004
E320	3.2L V6 F/I - Non-US, W/S211	33-2181*	PS-7004
E320	3.2L V6 F/I - US	33-2184	PS-7004
E430	4.3L V8 F/I	33-2184	PS-7004
E500	5.0L V8 F/I	33-2181*	
G500	5.0L V8 F/I		PS-7004
G500	5.0L V8 F/I - Non-US	33-2181*	PS-7004
ML55 AMG	5.5L V8 F/I	33-2703	
ML320	3.2L V6 F/I	33-2703	PS-7004
ML500	5.0L V8 F/I	33-2703	PS-7004
S430	4.3L V8 F/I	33-2181*	PS-7004
S500	5.0L V8 F/I	33-2181*	PS-7004
SL55 AMG	5.5L V8 F/I	33-2181*	
SL500	5.0L V8 F/I	33-2181*	PS-7004
SLK32 AMG	3.2L V6 F/I	33-2256*	PS-7004
SLK230	2.3L L4 F/I	33-2767	PS-7008
SLK320	3.2L V6 F/I	33-2185*	PS-7004

Vehicle	Engine Type	Air Filter	Oil Filter
2001 MERCEDES BENZ			
C180	2.0L L4 F/I	33-2244	
C200 Kompressor	2.0L L4 F/I	33-2193	
C230 Kompressor	2.3L L4 F/I		PS-7008
C240	2.6L V6 F/I	33-2181*	PS-7004
C320	3.2L V6 F/I	33-2181*	PS-7004
CL600	5.8L V12 F/I	33-2217*	
CLK55 AMG	5.5L V8 F/I		PS-7004
CLK55 AMG	5.5L V8 F/I - Non-US	33-2747*	PS-7004
CLK55 AMG	5.5L V8 F/I - US	33-2183*	PS-7004
CLK230 Kompressor	2.3L L4 F/I	33-2703	
CLK320	3.2L V6 F/I	33-2703	PS-7004
CLK430	4.3L V8 F/I		PS-7004
CLK430	4.3L V8 F/I - Non-US	33-2747*	PS-7004
CLK430	4.3L V8 F/I - US	33-2183*	PS-7004
E55 AMG	5.5L V8 F/I		PS-7004
E55 AMG	5.5L V8 F/I - Non-US	33-2747*	PS-7004
E55 AMG	5.5L V8 F/I - US	33-2183*	PS-7004
E320	3.2L L6 DSL	33-2158	

Vehicle	Engine Type	Air Filter	Oil Filter
2001 MERCEDES BENZ			
E320	3.2L V6 F/I	33-2184	PS-7004
E430	4.3L V8 F/I	33-2184	PS-7004
ML55 AMG	5.5L V8 F/I	33-2703	
ML320	3.2L V6 F/I	33-2703	PS-7004
ML430	4.3L V8 F/I	33-2703	PS-7004
S55 AMG	5.4L V8 F/I	33-2181*	
S55 AMG	5.4L V8 F/I	33-2181*	
Kompressor			
S430	4.3L V8 F/I	33-2181*	PS-7004
S500	5.0L V8 F/I	33-2181*	PS-7004
S600	5.8L V12 F/I	33-2217*	
SL500	5.0L V8 F/I	33-2181*	PS-7004
SL500	5.0L V8 F/I - Non-US, 306BHP	33-2181*	PS-7004
SL500	5.0L V8 F/I - Non-US, 320BHP	33-2678*	PS-7004
SL600	6.0L V12 F/I - Non-US	33-2677*	
SLK230	2.3L L4 F/I	33-2767	PS-7008
SLK320	3.2L V6 F/I	33-2185*	PS-7004

Vehicle	Engine Type	Air Filter	Oil Filter
2000 MERCEDES BENZ			
C180	2.0L L4 F/I	33-2244	
C200 Kompressor	2.0L L4 F/I - 163BHP	33-2193	
C230 Kompressor	2.3L L4 F/I	33-2703	PS-7008
C280	2.8L V6 F/I	33-2703	PS-7004
CL500	5.0L V8 F/I	33-2181*	
CLK320	3.2L V6 F/I	33-2703	PS-7004
CLK430	4.3L V8 F/I		PS-7004
CLK430	4.3L V8 F/I - Non-US	33-2747*	PS-7004
CLK430	4.3L V8 F/I - US	33-2183*	PS-7004
E55 AMG	5.5L V8 F/I		PS-7004
E55 AMG	5.5L V8 F/I - Non-US	33-2747*	PS-7004
E55 AMG	5.5L V8 F/I - US	33-2183*	PS-7004
E320	3.2L L6 DSL	33-2158	
E320	3.2L V6 F/I	33-2184	PS-7004
E430	4.3L V8 F/I	33-2184	PS-7004
ML55 AMG	5.5L V8 F/I	33-2703	PS-7004
ML320	3.2L V6 F/I	33-2703	PS-7004
ML430	4.3L V8 F/I	33-2703	PS-7004
S430	4.3L V8 F/I	33-2181*	PS-7004
S500	5.0L V8 F/I	33-2181*	PS-7004
SL500	5.0L V8 F/I	33-2181*	PS-7004
SL500	5.0L V8 F/I - Non-US, 306BHP	33-2181*	PS-7004
SL500	5.0L V8 F/I - Non-US, 320BHP	33-2678*	PS-7004
SL600	6.0L V12 F/I - Non-US	33-2677*	
SLK200 Kompressor	2.0L L4 F/I	33-2767	
SLK230	2.3L L4 F/I	33-2767	PS-7008

Vehicle	Engine Type	Air Filter	Oil Filter
1999 MERCEDES BENZ			
C43 AMG	4.3L V8 F/I	33-2183*	
C230	2.3L L4 F/I	33-2703	
C230 Kompressor	2.3L L4 F/I	33-2703	PS-7008
C280	2.8L V6 F/I	33-2703	PS-7004
CL500	5.0L V8 F/I	33-2181*	
CL500	5.0L V8 F/I - Non-US, 306BHP	33-2181*	
CL500	5.0L V8 F/I - Non-US, 320BHP	33-2678*	
CLK320	3.2L V6 F/I	33-2703	PS-7004
CLK430	4.3L V8 F/I		PS-7004
CLK430	4.3L V8 F/I - Non-US	33-2747*	PS-7004
CLK430	4.3L V8 F/I - US	33-2183*	PS-7004
E55 AMG	5.5L V8 F/I		PS-7004
E55 AMG	5.5L V8 F/I - Non-US	33-2747*	PS-7004
E55 AMG	5.5L V8 F/I - US	33-2183*	PS-7004

* 2 filters required ♦ Intake System Available - see page 81 +Cabin Air Filter Available - see page 453 1- Pro Series Filter Available

Partial Listing - Complete List of Vehicles and Applications at knfilters.com

MERCEDES BENZ

AIR & OIL FILTERS

Vehicle	Engine Type	Air Filter	Oil Filter
1999 MERCEDES BENZ			
E300	3.0L L6 DSL - Non-US	33-2747	
E320	3.2L L6 DSL	33-2158	
E320	3.2L V6 F/I		PS-7004
E320	3.2L V6 F/I - Non-US, from 8/99	33-2184	PS-7004
E320	3.2L V6 F/I - Non-US, to 7/99	33-2747	PS-7004
E320	3.2L V6 F/I - US	33-2747	PS-7004
E430	4.3L V8 F/I		PS-7004
E430	4.3L V8 F/I - Non-US, from 8/99	33-2184	PS-7004
E430	4.3L V8 F/I - Non-US, to 7/99	33-2747	PS-7004
E430	4.3L V8 F/I - US	33-2747	PS-7004
ML320	3.2L V6 F/I	33-2703	PS-7004
ML430	4.3L V8 F/I	33-2703	PS-7004
S55 AMG	5.4L V8 F/I	33-2181*	
S320	3.2L L6 DSL	33-2158	
S320	3.2L L6 F/I		PS-7008
S320	3.2L L6 F/I - Non-US, from 10/98	33-2181*	PS-7008
S320	3.2L L6 F/I - Non-US, to 9/98	33-2130	PS-7008
S320	3.2L L6 F/I - US	33-2130	PS-7008
S500	5.0L V8 F/I	33-2678*	
SL500	5.0L V8 F/I		PS-7004
SL500	5.0L V8 F/I - Non-US, 306BHP	33-2181*	PS-7004
SL500	5.0L V8 F/I - Non-US, 320BHP	33-2678*	PS-7004
SL500	5.0L V8 F/I - US	33-2181*	PS-7004
SL600	6.0L V12 F/I - Non-US	33-2677*	
SLK200 Kompressor	2.0L L4 F/I	33-2767	
SLK230	2.3L L4 F/I	33-2767	PS-7008

1998 MERCEDES BENZ			
C43 AMG	4.3L V8 F/I	33-2183*	PS-7004
C230	2.3L L4 F/I	33-2703♦	PS-7008
C230 Kompressor	2.3L L4 F/I	33-2703	PS-7008
C280	2.8L L6 F/I	33-2703	PS-7004
C280	2.8L V6 F/I	33-2703	PS-7004
CLK230 Kompressor	2.3L L4 F/I	33-2703	
CLK320	3.2L V6 F/I	33-2703	PS-7004
E55 AMG	5.5L V8 F/I	33-2747*	
E300	3.0L L6 DSL - Non-US	33-2747	
E320	3.2L L6 F/I - Non-US, W/S124	33-2705	
E320	3.2L L6 F/I - Non-US, W/S210	33-2747	
E320	3.2L V6 F/I		PS-7004
E320	3.2L V6 F/I - US	33-2747	PS-7004
ML320	3.2L V6 F/I	33-2703	PS-7004
S320	3.2L L6 F/I	33-2130	PS-7008
S500	5.0L V8 F/I - Non-US, 306BHP	33-2181*	
S500	5.0L V8 F/I - Non-US, 320BHP	33-2678*	
SL500	5.0L V8 F/I - Non-US, 306BHP	33-2181*	
SL500	5.0L V8 F/I - Non-US, 320BHP	33-2678*	
SL600	6.0L V12 F/I - Non-US	33-2677*	
SLK200 Kompressor	2.0L L4 F/I	33-2767	
SLK230	2.3L L4 F/I	33-2767	PS-7008

1997 MERCEDES BENZ			
C230	2.3L L4 F/I	33-2703♦	PS-7008
C230 Kompressor	2.3L L4 F/I	33-2703	PS-7008
C280	2.8L L6 F/I	33-2703	PS-7008
E300	3.0L L6 DSL - Non-US	33-2747	

Vehicle	Engine Type	Air Filter	Oil Filter
1997 MERCEDES BENZ			
E320	3.2L L6 F/I		PS-7008
E320	3.2L L6 F/I - US	33-2747	PS-7008
E320	3.2L V6 F/I		PS-7008
E320	3.2L V6 F/I - Non-US, W/S124	33-2705	PS-7008
E320	3.2L V6 F/I - Non-US, W/S210	33-2747	PS-7008
E420	4.2L V8 F/I	33-2747	
S320	3.2L L6 F/I	33-2130	
S420	4.2L V8 F/I	33-2678*	
S500	5.0L V8 F/I	33-2678*	
S600	6.0L V12 F/I	33-2677*	
SL500	5.0L V8 F/I	33-2678*	
SL600	6.0L V12 F/I	33-2677*	

1996 MERCEDES BENZ			
C36 AMG	3.6L L6 F/I	33-2703	
C220	2.2L L4 DSL	33-2703	
C220	2.2L L4 F/I	33-2703	
C280	2.8L L6 F/I	33-2703	PS-7008
E300	3.0L L6 DSL - Non-US	33-2747	
E320	3.2L L6 F/I		PS-7008
E320	3.2L L6 F/I - Non-US, W/S124	33-2705	PS-7008
E320	3.2L L6 F/I - Non-US, W/S210	33-2747	PS-7008
E320	3.2L L6 F/I - US	33-2747	PS-7008
S320	3.2L L6 F/I	33-2130	
SL320	3.2L L6 F/I		PS-7008
SL320	3.2L L6 F/I - Non-US	33-2765	PS-7008
SL500	5.0L V8 F/I	33-2678*	

1995 MERCEDES BENZ			
C36 AMG	3.6L L6 F/I	33-2703	
C220	2.2L L4 DSL	33-2703	
C220	2.2L L4 F/I	33-2703	PS-7008
C280	2.8L L6 F/I	33-2703	PS-7008
E300	3.0L L6 DSL - Non-US	33-2747	
E320	3.2L L6 F/I		PS-7008
E320	3.2L L6 F/I - Non-US, W/S124	33-2705	PS-7008
E320	3.2L L6 F/I - Non-US, W/S210	33-2747	PS-7008
E320	3.2L L6 F/I - US	33-2705	PS-7008
E420	4.2L V8 F/I	33-2678*	
S320	3.2L L6 F/I	33-2130	
S420	4.2L V8 F/I	33-2678*	
S500	5.0L V8 F/I	33-2678*	
SL320	3.2L L6 F/I - Non-US	33-2765	
SL500	5.0L V8 F/I	33-2678*	
SL600	6.0L V12 F/I	33-2677*	

1994 MERCEDES BENZ			
C280	2.8L L6 F/I	33-2703	
E320	3.2L L6 F/I	33-2705	PS-7008
E420	4.2L V8 F/I	33-2678*	
S500	5.0L V8 F/I	33-2678*	
SL320	3.2L L6 F/I - Non-US	33-2765	
SL500	5.0L V8 F/I	33-2678*	
SL600	6.0L V12 F/I	33-2677*	

1993 MERCEDES BENZ			
190E	2.3L L4 F/I	E-9178	HP-2005¹
190E	2.6L L6 F/I	E-2866	HP-2005¹

1992 MERCEDES BENZ			
190E	2.0L L4 F/I	E-9178	
190E	2.3L L4 F/I	E-9178	HP-2005¹
190E	2.6L L6 F/I	E-2866	HP-2005¹

* 2 filters required ♦ Intake System Available - see page 81 +Cabin Air Filter Available - see page 453 1- Pro Series Filter Available

AIR & OIL FILTERS

MERCEDES BENZ

Vehicle	Engine Type	Air Filter	Oil Filter
1992 MERCEDES BENZ			
300CE	3.0L L6 F/I		PS-7008
300CE	3.0L L6 F/I - Non-US, 220BHP	E-9179	PS-7008
300CE	3.0L L6 F/I - Non-US, Exc., 220BHP	E-2867	PS-7008
300CE	3.0L L6 F/I - US	E-9179	PS-7008
300SL	3.0L L6 F/I - Non-US, 190BHP	E-2867	
400E	4.2L V8 F/I	33-2678*	
500SL	5.0L V8 F/I - Non-US, KE Jetronic	33-2683*	
500SL	5.0L V8 F/I - Non-US, LH Jetronic	33-2678*	
500SL	5.0L V8 F/I - US	33-2683*	
600SEL	6.0L V12 F/I	33-2677*	

1991 MERCEDES BENZ			
190E	2.3L L4 F/I	E-9178	
190E	2.6L L6 F/I	E-2866	HP-2005 ¹
300E	2.6L L6 F/I	E-2867	
300E	3.0L L6 F/I		HP-2005 ¹
300E	3.0L L6 F/I - Non-US, 220BHP	E-9179	HP-2005
300E	3.0L L6 F/I - Non-US, Exc., 220BHP	E-2867	HP-2005
300E	3.0L L6 F/I - US	E-2867	HP-2005
350SDL	3.5L L6 DSL - Turbo	E-9165	
500SL	5.0L V8 F/I	33-2683*	
500SL	5.0L V8 F/I - KE Jetronic	33-2683*	
500SL	5.0L V8 F/I - LH Jetronic	33-2678*	
560SEC	5.6L V8 F/I	E-2872	
560SEL	5.6L V8 F/I	E-2872	

1990 MERCEDES BENZ			
190E	2.6L L6 F/I	E-2866	HP-2005 ¹
300CE	3.0L L6 F/I - Non-US, 220BHP	E-9179	
300CE	3.0L L6 F/I - Non-US, Exc., 220BHP	E-2867	
300CE	3.0L L6 F/I - US	E-9179	
300E	3.0L L6 F/I - Non-US, Exc., 220BHP	E-2867	
300E	3.0L L6 F/I - US	E-2867	
300SEL	3.0L L6 F/I	E-2867	
300SL	3.0L L6 F/I - Non-US, 190BHP	E-2867	
500SL	5.0L V8 F/I	33-2683*	
500SL	5.0L V8 F/I - KE Jetronic	33-2683*	
560SEL	5.6L V8 F/I	E-2872	

1989 MERCEDES BENZ			
190E	2.6L L6 F/I	E-2866	
300CE	3.0L L6 F/I		HP-2005 ¹
300CE	3.0L L6 F/I - Non-US, 220BHP	E-9179	HP-2005
300CE	3.0L L6 F/I - Non-US, Exc., 220BHP	E-2867	HP-2005
300CE	3.0L L6 F/I - US	E-2867	HP-2005
300E	3.0L L6 F/I		HP-2005 ¹
300E	3.0L L6 F/I - Non-US, 220BHP	E-9179	HP-2005
300E	3.0L L6 F/I - Non-US, Exc., 220BHP	E-2867	HP-2005
300E	3.0L L6 F/I - US	E-2867	HP-2005
300SE	3.0L L6 F/I	E-2867	HP-2005 ¹
300SEL	3.0L L6 F/I	E-2867	HP-2005 ¹
560SEC	5.6L V8 F/I	E-2872	
560SL	5.6L V8 F/I	E-2872	

Vehicle	Engine Type	Air Filter	Oil Filter
1988 MERCEDES BENZ			
190	2.0L L4 F/I - From 10/88	E-9178	
190	2.0L L4 F/I - To 9/88	E-2865	
190D	2.0L L4 DSL	33-2561	
190E	2.0L L4 F/I - From 10/88	E-9178	
190E	2.0L L4 F/I - To 9/88	E-2865	
560SL	5.6L V8 F/I	E-2872	

1987 MERCEDES BENZ			
190E	2.3L L4 F/I - DOHC	33-2513	
190E	2.3L L4 F/I - SOHC	E-2865	HP-2005 ¹
300D	3.0L L6 DSL - US	E-9165	
300E	3.0L L6 F/I	E-2867	
300SDL	3.0L L6 DSL	E-9165	
300TD	3.0L L6 DSL	E-9165	
420SEL	4.2L V8 F/I	E-2872	
560SL	5.6L V8 F/I	E-2872	

1986 MERCEDES BENZ			
190E	2.3L L4 F/I - DOHC	33-2513	
190E	2.3L L4 F/I - SOHC	E-2865	
300E	3.0L L6 F/I	E-2867	
300SDL	3.0L L6 DSL	E-9165	
420SEL	4.2L V8 F/I	E-2872	
560SL	5.6L V8 F/I	E-2872	

1985 MERCEDES BENZ			
190E	2.0L L4 F/I	E-2865	
190E	2.3L L4 F/I	E-2865	
300D	3.0L L5 DSL - Exc. Calif	E-2870	
300D	3.0L L6 DSL - w/EGR Valve	33-2549	
300D	3.0L L6 DSL - w/o EGR Valve	33-2642	
300SD	3.0L L5 DSL	E-2870	
300TD	3.0L L5 DSL	E-2870	
380SE	3.8L V8 F/I	E-2872	
380SEC	3.8L V8 F/I	E-2872	
380SEL	3.8L V8 F/I	E-2872	
380SL	3.8L V8 F/I	E-2872	

1984 MERCEDES BENZ			
190E	2.3L L4 F/I	E-2865	
300D	3.0L L5 DSL	E-2870	
300D	3.0L L6 DSL - w/EGR Valve	33-2549	
300D	3.0L L6 DSL - w/o EGR Valve	33-2642	
300SD	3.0L L5 DSL	E-2870	
300TD	3.0L L5 DSL	E-2870	

1983 MERCEDES BENZ			
240D	2.4L L4 DSL	E-2800	
300D	3.0L L5 DSL	E-2870	
300SD	3.0L L5 DSL	E-2870	
300TD	3.0L L5 DSL	E-2870	
380SL	3.8L V8 F/I	E-2872	

1982 MERCEDES BENZ			
240D	2.4L L4 DSL	E-2800	
300D	3.0L L5 DSL - Non-US	E-2870	
300TD	3.0L L5 DSL	E-2870	

1981 MERCEDES BENZ			
380SLC	3.8L V8 F/I	E-2872	

1980 MERCEDES BENZ			
300TD	3.0L L5 DSL	E-2870	
450SL	4.5L V8 F/I	E-2872	

* 2 filters required ♦ Intake System Available - see page 81 +Cabin Air Filter Available - see page 453 1- Pro Series Filter Available

MERCEDES BENZ

AIR & OIL FILTERS

Vehicle	Engine Type	Air Filter	Oil Filter
---------	-------------	------------	------------

1980 MERCEDES BENZ

450SLC	4.5L V8 F/I	E-2872	
--------	-------------	--------	--

1979 MERCEDES BENZ

450SL	4.5L V8 F/I	E-2872	
450SLC	4.5L V8 F/I	E-2872	

1978 MERCEDES BENZ

450SL	4.5L V8 F/I	E-2872	
450SLC	4.5L V8 F/I	E-2872	

1975 MERCEDES BENZ

450SL	4.5L V8 F/I - Non-US	E-2872	
450SL	4.5L V8 F/I - US	E-1650	
450SLC	4.5L V8 F/I - Non-US	E-2872	
450SLC	4.5L V8 F/I - US	E-1650	

1974 MERCEDES BENZ

450SL	4.5L V8 F/I - Non-US	E-2872	
450SLC	4.5L V8 F/I - Non-US	E-2872	
450SLC	4.5L V8 F/I - US	E-1650	

1973 MERCEDES BENZ

220	134 L4 CARB	E-2530	
450SL	4.5L V8 F/I - Non-US	E-2872	
450SL	4.5L V8 F/I - US	E-1650	
450SLC	4.5L V8 F/I - Non-US	E-2875	
450SLC	4.5L V8 F/I - US	E-1650	

1971 MERCEDES BENZ

280SL	2.8L L6 F/I	E-2380	
-------	-------------	--------	--

2011 MERCURY

Grand Marquis	4.6L V8 F/I	33-2272 ♦	HP-2010 ¹
Mariner	2.5L L4 F/I	33-2187	HP-1002 ¹
Mariner	3.0L V6 F/I	E-1990	HP-2011 ¹
Mariner Hybrid	2.5L L4 F/I	33-2347	HP-1002 ¹
Milan	2.5L L4 F/I	33-2357+	

2010 MERCURY

Grand Marquis	4.6L V8 F/I	33-2272 ♦	HP-2010 ¹
Mariner	2.5L L4 F/I	33-2187	HP-1002 ¹
Mariner	3.0L V6 F/I	E-1990	HP-2011 ¹
Mariner Hybrid	2.5L L4 F/I	33-2347	HP-1002 ¹
Milan	2.5L L4 F/I	33-2357+	HP-1002 ¹
Milan	3.0L V6 F/I	33-2340+	HP-2011 ¹
Milan Hybrid	2.5L L4 F/I		HP-1002 ¹
Mountaineer	4.0L V6 F/I	33-2366	HP-2010 ¹
Mountaineer	4.6L V8 F/I	33-2353	HP-2010 ¹

2009 MERCURY

Grand Marquis	4.6L V8 F/I	33-2272 ♦	HP-2010 ¹
Mariner	2.5L L4 F/I	33-2187	
Mariner	2.5L L4 F/I - Cartridge	33-2187	PS-7013
Mariner	2.5L L4 F/I - Spin On	33-2187	HP-1002 ¹
Mariner	3.0L V6 F/I	E-1990	HP-2011 ¹
Mariner Hybrid	2.5L L4 F/I	33-2347	
Mariner Hybrid	2.5L L4 F/I - Cartridge	33-2347	PS-7013
Mariner Hybrid	2.5L L4 F/I - Spin On	33-2347	HP-1002 ¹
Milan	2.3L L4 F/I	33-2357	
Milan	2.3L L4 F/I - Cartridge	33-2357	PS-7013
Milan	2.3L L4 F/I - Spin On	33-2357	HP-1002 ¹
Milan	3.0L V6 F/I	33-2340	HP-2010 ¹
Mountaineer	4.6L V8 F/I	33-2353	
Sable	3.5L V6 F/I		HP-2009 ¹

2008 MERCURY

Grand Marquis	4.6L V8 F/I	33-2272 ♦	HP-2010 ¹
Mariner	2.3L L4 F/I	33-2187	
Mariner	2.3L L4 F/I - Spin On	33-2187	HP-1002 ¹

Vehicle	Engine Type	Air Filter	Oil Filter
---------	-------------	------------	------------

2008 MERCURY

Mariner	3.0L V6 F/I	33-2187	HP-2010 ¹
Mariner Hybrid	2.3L L4 F/I	33-2347	
Mariner Hybrid	2.3L L4 F/I - Cartridge	33-2347	PS-7013
Mariner Hybrid	2.3L L4 F/I - Spin On	33-2347	HP-1002 ¹
Milan	2.3L L4 F/I	33-2357	
Milan	2.3L L4 F/I - Cartridge	33-2357	PS-7013
Milan	2.3L L4 F/I - Spin On	33-2357	HP-1002 ¹
Milan	3.0L V6 F/I	33-2340	HP-2010 ¹
Mountaineer	4.0L V6 F/I	33-2366	HP-2010 ¹
Mountaineer	4.6L V8 F/I	33-2353	HP-2010 ¹
Sable	3.5L V6 F/I	33-2395	HP-2009 ¹

2007 MERCURY

Grand Marquis	4.6L V8 F/I	33-2272 ♦	HP-2010 ¹
Mariner	2.3L L4 F/I	33-2187	
Mariner	2.3L L4 F/I - Spin On	33-2187	HP-1002 ¹
Mariner	3.0L V6 F/I	33-2187	HP-2010 ¹
Mariner Hybrid	2.3L L4 F/I	33-2347	
Mariner Hybrid	2.3L L4 F/I - Cartridge	33-2347	PS-7013
Mariner Hybrid	2.3L L4 F/I - Spin On	33-2347	HP-1002 ¹
Milan	2.3L L4 F/I	33-2357	
Milan	2.3L L4 F/I - Cartridge	33-2357	PS-7013
Milan	2.3L L4 F/I - Spin On	33-2357	HP-1002 ¹
Milan	3.0L V6 F/I	33-2340	HP-2010 ¹
Montego	3.0L V6 F/I	33-2308	HP-2010 ¹
Mountaineer	4.0L V6 F/I	33-2366	HP-2010 ¹
Mountaineer	4.6L V8 F/I	33-2353	HP-2010 ¹

2006 MERCURY

Grand Marquis	4.6L V8 F/I	33-2272 ♦	HP-2010 ¹
Mariner	2.3L L4 F/I	33-2187	
Mariner	3.0L V6 F/I	33-2187	HP-2010 ¹
Mariner Hybrid	2.3L L4 F/I	33-2347	
Mariner Hybrid	2.3L L4 F/I - Cartridge	33-2347	PS-7013
Mariner Hybrid	2.3L L4 F/I - Spin On	33-2347	HP-1002 ¹
Milan	2.3L L4 F/I	33-2357	
Milan	2.3L L4 F/I - Cartridge	33-2357	PS-7013
Milan	2.3L L4 F/I - Spin On	33-2357	HP-1002 ¹
Milan	3.0L V6 F/I	33-2340	HP-2010 ¹
Montego	3.0L V6 F/I	33-2308	HP-2010 ¹
Monterey Van	4.2L V6 F/I	33-2321+	
Mountaineer	4.0L V6 F/I	33-2366	HP-2010 ¹
Mountaineer	4.6L V8 F/I	33-2353	HP-2010 ¹

2005 MERCURY

Grand Marquis	4.6L V8 F/I	33-2272 ♦	HP-2010 ¹
Mariner	2.3L L4 F/I	33-2187	
Mariner	2.3L L4 F/I - Spin On	33-2187	HP-1002 ¹
Mariner	3.0L V6 F/I	33-2187	HP-2010 ¹
Montego	3.0L V6 F/I	33-2308	HP-2010 ¹
Monterey Van	4.2L V6 F/I	33-2321+	
Mountaineer	4.0L V6 F/I	33-2207	HP-2010 ¹
Mountaineer	4.6L V8 F/I	33-2207 ♦	HP-2010 ¹
Sable	3.0L V6 F/I	33-2150	
Sable	3.0L V6 F/I - DOHC	33-2150	HP-2010 ¹
Sable	3.0L V6 F/I - OHV	33-2150	HP-2009 ¹

2004 MERCURY

Grand Marquis	4.6L V8 F/I	33-2272 ♦	HP-2010 ¹
Marauder	4.6L V8 F/I	33-2272 ♦	HP-2010 ¹
Monterey Van	4.2L V6 F/I		HP-2009 ¹
Mountaineer	4.0L V6 F/I	33-2207	HP-2010 ¹
Mountaineer	4.6L V8 F/I	33-2207 ♦	HP-2010 ¹
Sable	3.0L V6 F/I	33-2150	
Sable	3.0L V6 F/I - DOHC	33-2150	HP-2010 ¹
Sable	3.0L V6 F/I - OHV	33-2150	HP-2009 ¹

* 2 filters required ♦ Intake System Available - see page 81 +Cabin Air Filter Available - see page 453 1- Pro Series Filter Available

AIR & OIL FILTERS

MERCURY

Vehicle	Engine Type	Air Filter	Oil Filter
2003 MERCURY			
Grand Marquis	4.6L V8 F/I	33-2272	HP-2010 ¹
Marauder	4.6L V8 F/I	33-2272 ♦	HP-2010 ¹
Mountaineer	4.0L V6 F/I	33-2207 ♦	HP-2010 ¹
Mountaineer	4.6L V8 F/I	33-2207 ♦	HP-2010 ¹
Sable	3.0L V6 F/I	33-2150	
Sable	3.0L V6 F/I - DOHC	33-2150	HP-2010 ¹
Sable	3.0L V6 F/I - OHV	33-2150	HP-2009 ¹
2002 MERCURY			
Cougar	2.0L L4 F/I	33-2132	HP-2009 ¹
Cougar	2.5L V6 F/I	33-2115-1	HP-2010 ¹
Grand Marquis	4.6L V8 F/I	33-2272	HP-2010 ¹
Mountaineer	4.0L V6 F/I	33-2207 ♦	HP-2010 ¹
Mountaineer	4.6L V8 F/I	33-2207 ♦	HP-2010 ¹
Sable	3.0L V6 F/I	33-2150	
Sable	3.0L V6 F/I - DOHC	33-2150	HP-2010 ¹
Sable	3.0L V6 F/I - OHV	33-2150	HP-2009 ¹
2001 MERCURY			
Cougar	2.0L L4 F/I	33-2132	HP-2009 ¹
Cougar	2.5L V6 F/I	33-2115-1 ♦	HP-2010 ¹
Grand Marquis	4.6L V8 F/I	33-2272	HP-2010 ¹
Mountaineer	5.0L V8 F/I	33-2106-1	HP-2010 ¹
Sable	3.0L V6 F/I	33-2150	
Sable	3.0L V6 F/I - DOHC	33-2150	HP-2010 ¹
Sable	3.0L V6 F/I - OHV	33-2150	HP-2009 ¹
Villager	3.3L V6 F/I	33-2091-1	HP-1010 ¹
2000 MERCURY			
Cougar	2.0L L4 F/I	33-2132	HP-2009 ¹
Cougar	2.5L V6 F/I	33-2115-1 ♦	HP-2010 ¹
Grand Marquis	4.6L V8 F/I	33-2272	HP-2010 ¹
Mountaineer	4.0L V6 F/I	33-2106-1	HP-3001 ¹
Mountaineer	5.0L V8 F/I	33-2106-1	HP-2010 ¹
Sable	3.0L V6 F/I	33-2150	
Sable	3.0L V6 F/I - DOHC	33-2150	HP-2010 ¹
Sable	3.0L V6 F/I - OHV	33-2150	HP-2009 ¹
Villager	3.3L V6 F/I	33-2091-1	
1999 MERCURY			
Cougar	2.0L L4 F/I	33-2132	HP-2009 ¹
Cougar	2.5L V6 F/I	33-2115-1	HP-2010 ¹
Grand Marquis	4.6L V8 F/I	33-2272	HP-2010 ¹
Mountaineer	4.0L V6 F/I	33-2106-1	
Mountaineer	5.0L V8 F/I	33-2106-1	HP-2010 ¹
Sable	3.0L V6 F/I	33-2107	
Sable	3.0L V6 F/I - DOHC	33-2107	HP-2010 ¹
Sable	3.0L V6 F/I - OHV	33-2107	HP-2009 ¹
1998 MERCURY			
Grand Marquis	4.6L V8 F/I	33-2272	HP-2010 ¹
Mountaineer	5.0L V8 F/I		HP-2010 ¹
Mountaineer	5.0L V8 F/I - w/Panel Filter	33-2106-1	HP-2010
Mountaineer	5.0L V8 F/I - w/Round Filter	E-0996	HP-2010
Sable	3.0L V6 F/I	33-2107	
Sable	3.0L V6 F/I - DOHC	33-2107	HP-2010 ¹
Sable	3.0L V6 F/I - OHV	33-2107	HP-2009 ¹
Villager	3.0L V6 F/I		HP-2008 ¹
1997 MERCURY			
Cougar	4.6L V8 F/I	33-2033 ♦	HP-2010 ¹
Grand Marquis	4.6L V8 F/I	33-2272	HP-2010 ¹
Mountaineer	5.0L V8 F/I		HP-2010 ¹
Mountaineer	5.0L V8 F/I - w/Panel Filter	33-2106-1 ♦	HP-2010
Mountaineer	5.0L V8 F/I - w/Round Filter	E-0996 ♦	HP-2010

Vehicle	Engine Type	Air Filter	Oil Filter
1997 MERCURY			
Sable	3.0L V6 F/I	33-2107	
Sable	3.0L V6 F/I - DOHC	33-2107	HP-2010 ¹
Sable	3.0L V6 F/I - OHV	33-2107	HP-2009 ¹
Villager	3.0L V6 F/I	33-2091-1	HP-2008 ¹
1996 MERCURY			
Cougar	4.6L V8 F/I	33-2033 ♦	HP-2010 ¹
Grand Marquis	4.6L V8 F/I	33-2272	HP-2010 ¹
Sable	3.0L V6 F/I	33-2107	
Sable	3.0L V6 F/I - DOHC	33-2107	HP-2010 ¹
Sable	3.0L V6 F/I - OHV	33-2107	HP-2009 ¹
Villager	3.0L V6 F/I		HP-2008 ¹
1995 MERCURY			
Cougar	4.6L V8 F/I	33-2033 ♦	HP-2010 ¹
Grand Marquis	4.6L V8 F/I	33-2272	HP-2010 ¹
Villager	3.0L V6 F/I	33-2091-1	HP-2008 ¹
1994 MERCURY			
Cougar	4.6L V8 F/I	33-2033 ♦	HP-2010 ¹
Grand Marquis	4.6L V8 F/I	33-2272	HP-2010 ¹
1993 MERCURY			
Grand Marquis	4.6L V8 F/I	33-2272	HP-2010 ¹
1992 MERCURY			
Grand Marquis	4.6L V8 F/I	33-2272	HP-2010 ¹
1991 MERCURY			
Capri	1.6L L4 F/I	33-2027	HP-1008 ¹
Grand Marquis	5.0L V8 F/I	33-2195	HP-3001 ¹
1990 MERCURY			
Grand Marquis	5.0L V8 F/I	33-2195	HP-3001 ¹
1989 MERCURY			
Grand Marquis	5.0L V8 F/I	33-2195	HP-3001 ¹
1988 MERCURY			
Grand Marquis	5.0L V8 F/I	33-2195	HP-3001 ¹
1987 MERCURY			
Grand Marquis	5.0L V8 F/I	33-2195	HP-3001 ¹
1986 MERCURY			
Grand Marquis	5.0L V8 F/I	33-2195	HP-3001 ¹
1972 MERCURY			
Cougar	351 V8 2 BBL.		HP-3001 ¹
Cougar	351 V8 4 BBL.		HP-3001 ¹
1970 MERCURY			
Cougar	351 V8 CARB	E-1570	HP-3001 ¹
1969 MERCURY			
Cougar	351 V8 CARB	E-1570	HP-3001 ¹
1968 MERCURY			
Cougar	302 V8 CARB	E-1570	HP-3001 ¹
1967 MERCURY			
Cougar	289 V8 CARB		HP-3001 ¹
1965 MERCURY			
Comet	289 V8 CARB		HP-3001 ¹
1989 MERKUR			
Scorpio	2.9L V6 F/I	33-2013	
1988 MERKUR			
Scorpio	2.9L V6 F/I	33-2013	
1980 MG			
MGB	110 L4 CARB	E-2401	HP-1002 ¹

* 2 filters required ♦ Intake System Available - see page 81 +Cabin Air Filter Available - see page 453 1- Pro Series Filter Available

MG

AIR & OIL FILTERS

Vehicle	Engine Type	Air Filter	Oil Filter
1979 MG			
MGB	110 L4 CARB	E-2401	HP-1002 ¹
1978 MG			
MGB	110 L4 CARB	E-2401	HP-1002 ¹
1977 MG			
MGB	110 L4 CARB	E-2401	HP-1002 ¹
MGB	3.5L V8 F/I		HP-2004 ¹
1976 MG			
MGB	110 L4 CARB	E-2401	HP-1002 ¹
1975 MG			
MGB	110 L4 CARB	E-2401	HP-1002 ¹
1974 MG			
MGB	110 L4 CARB	E-2400*	HP-2004 ¹
Midget	78 L4 CARB	E-2230	HP-1002 ¹
1973 MG			
MGB	110 L4 CARB	E-2400*	HP-2004 ¹
Midget	78 L4 CARB	E-2230	HP-1002 ¹
1972 MG			
MGB	110 L4 CARB	E-2400*	HP-2004 ¹
Midget	78 L4 CARB	E-2230	HP-1002 ¹
1971 MG			
MGB	110 L4 CARB	E-2400*	HP-2004 ¹
Midget	78 L4 CARB	E-2230	HP-1002 ¹
1970 MG			
MGB	110 L4 CARB	E-2400*	
1969 MG			
Midget	78 L4 CARB	E-2230	
1967 MG			
Midget	78 L4 CARB	E-2230	
2016 MINI			
Cooper	1.5L L3 F/I	33-3025 ♦	
Cooper Countryman	1.6L L4 F/I - Exc. Turbo	33-2386	
Cooper Countryman	1.6L L4 F/I - Turbo	33-2936	
Cooper John Cooper Works	2.0L L4 F/I	33-3025 ♦	
Cooper Paceman	1.6L L4 F/I - Turbo	33-2936	
Cooper S	2.0L L4 F/I	33-3025 ♦	
2015 MINI			
Cooper	1.5L L3 F/I	33-3025 ♦	
Cooper	1.6L L4 F/I		PS-7024
Cooper	1.6L L4 F/I - Exc. Turbo	33-2386	PS-7024
Cooper	1.6L L4 F/I - Turbo	33-2936	PS-7024
Cooper	1.6L L4 F/I - US, Exc. Turbo	33-2386	PS-7024
Cooper Countryman	1.6L L4 F/I		PS-7024
Cooper Countryman	1.6L L4 F/I - US, Exc. Turbo	33-2386	PS-7024
Cooper Countryman	1.6L L4 F/I - US, Turbo	33-2936	PS-7024
Cooper John Cooper Works	2.0L L4 F/I	33-3025	
Cooper Paceman	1.6L L4 F/I		PS-7024
Cooper Paceman	1.6L L4 F/I - US, Exc. Turbo	33-2386	PS-7024
Cooper Paceman	1.6L L4 F/I - US, Turbo	33-2936	PS-7024
Cooper S	1.6L L4 F/I		PS-7024
Cooper S	1.6L L4 F/I - Turbo	33-2936 ♦	PS-7024
Cooper S	2.0L L4 F/I	33-3025 ♦	
Cooper SD	2.0L L4 DSL	33-3025	
2014 MINI			
Cooper	1.5L L3 F/I	33-3025 ♦	

Vehicle	Engine Type	Air Filter	Oil Filter
2014 MINI			
Cooper	1.6L L4 F/I		PS-7024
Cooper	1.6L L4 F/I - US	33-2386 ♦	PS-7024
Cooper Countryman	1.6L L4 F/I	33-2386	PS-7024
Cooper Countryman	1.6L L4 F/I	33-2936	PS-7024
John Cooper Works			
Cooper Countryman S	1.6L L4 F/I		PS-7024
Cooper Countryman S	1.6L L4 F/I - US	33-2936	PS-7024
Cooper John Cooper Works	1.6L L4 F/I	33-2936 ♦	PS-7024
Cooper Paceman	1.6L L4 F/I		PS-7024
Cooper Paceman	1.6L L4 F/I - US	33-2386	PS-7024
Cooper Paceman	1.6L L4 F/I	33-2936	PS-7024
John Cooper Works			
Cooper Paceman S	1.6L L4 F/I	33-2936	PS-7024
Cooper S	1.6L L4 F/I	33-2936 ♦	PS-7024
Cooper S	2.0L L4 F/I	33-3025 ♦	
Cooper SD	2.0L L4 DSL	33-3025	
2013 MINI			
Cooper	1.6L L4 F/I		PS-7024
Cooper	1.6L L4 F/I - Non-US	33-2941 ♦	PS-7024
Cooper	1.6L L4 F/I - US	33-2386 ♦	PS-7024
Cooper Countryman	1.6L L4 F/I		PS-7024
Cooper Countryman	1.6L L4 F/I - US	33-2386	PS-7024
Cooper Countryman S	1.6L L4 F/I		PS-7024
Cooper Countryman S	1.6L L4 F/I - US	33-2936	PS-7024
Cooper D	1.6L L4 DSL	E-2985	
Cooper D	2.0L L4 DSL	E-2985	
Cooper John Cooper Works	1.6L L4 F/I	33-2936	PS-7024
Cooper John Cooper Works GP	1.6L L4 F/I	33-2936 ♦	PS-7024
Cooper Paceman	1.6L L4 F/I		PS-7024
Cooper Paceman	1.6L L4 F/I - Non-US	33-2941	PS-7024
Cooper Paceman	1.6L L4 F/I - US	33-2386	PS-7024
Cooper Paceman S	1.6L L4 F/I		PS-7024
Cooper Paceman S	1.6L L4 F/I - US	33-2936	PS-7024
Cooper S	1.6L L4 F/I	33-2936 ♦	PS-7024
2012 MINI			
Cooper	1.6L L4 F/I		PS-7024
Cooper	1.6L L4 F/I - Non-US	33-2941 ♦	PS-7024
Cooper	1.6L L4 F/I - US	33-2386 ♦	PS-7024
Cooper Countryman	1.6L L4 F/I		PS-7024
Cooper Countryman	1.6L L4 F/I - US	33-2386	PS-7024
Cooper D	1.6L L4 DSL	E-2985	
Cooper D	2.0L L4 DSL	E-2985	
Cooper John Cooper Works	1.6L L4 F/I	33-2936 ♦	PS-7024
Cooper S	1.6L L4 F/I	33-2936 ♦	PS-7024
Cooper S	1.6L L4 F/I - US	33-2936 ♦	PS-7024
2011 MINI			
Cooper	1.6L L4 F/I		PS-7024
Cooper	1.6L L4 F/I - Non-US	33-2941 ♦	PS-7024
Cooper	1.6L L4 F/I - US	33-2386 ♦	PS-7024
Cooper Clubman	1.6L L4 F/I		PS-7024
Cooper Clubman	1.6L L4 F/I - US	33-2386 ♦	PS-7024
Cooper Countryman	1.6L L4 F/I		PS-7024
Cooper Countryman	1.6L L4 F/I - Non-US, w/Manual Trans.	33-2941	PS-7024
Cooper Countryman S	1.6L L4 F/I - US	33-2386	PS-7024
Cooper Countryman S	1.6L L4 F/I		PS-7024

* 2 filters required ♦ Intake System Available - see page 81 +Cabin Air Filter Available - see page 453 1- Pro Series Filter Available

AIR & OIL FILTERS

MINI

Vehicle	Engine Type	Air Filter	Oil Filter	Vehicle	Engine Type	Air Filter	Oil Filter
2011 MINI				2008 MINI			
Cooper Countryman S	1.6L L4 F/I - Non-US, w/Manual Trans.	33-2936	PS-7024	Cooper Clubman	1.6L L4 F/I - Non-US, w/Manual Trans.	33-2941 ♦	PS-7024
Cooper Countryman S	1.6L L4 F/I - US	33-2936	PS-7024	Cooper Clubman	1.6L L4 F/I - US	33-2386 ♦	PS-7024
Cooper D	1.6L L4 DSL	E-2985		Cooper D	1.6L L4 DSL	33-2929 ♦	
Cooper D	2.0L L4 DSL	E-2985		Cooper S	1.6L L4 F/I - Coupe		PS-7024
Cooper John Cooper Works	1.6L L4 F/I	33-2936 ♦	PS-7024	Cooper S	1.6L L4 F/I - Non-US	33-2936 ♦	
Cooper John Cooper Works Clubman	1.6L L4 F/I	33-2936 ♦	PS-7024	Cooper S	1.6L L4 F/I - US, Convertible	33-2270 ♦	
Cooper S	1.6L L4 F/I	33-2936 ♦	PS-7024	Cooper S	1.6L L4 F/I - US, Coupe	33-2936 ♦	
Cooper S Clubman	1.6L L4 F/I		PS-7024	Cooper S Clubman	1.6L L4 F/I		PS-7024
Cooper S Clubman	1.6L L4 F/I - US	33-2936	PS-7024	Cooper S Clubman	1.6L L4 F/I - Non-US, w/Auto Trans.	33-2936 ♦	PS-7024
2010 MINI				2007 MINI			
Cooper	1.6L L4 F/I		PS-7024	Cooper	1.6L L4 F/I - Convertible, w/Manual Trans.	33-2885 ♦	
Cooper	1.6L L4 F/I - Non-US, w/Manual Trans.	33-2941 ♦	PS-7024	Cooper	1.6L L4 F/I - Coupe		PS-7024
Cooper	1.6L L4 F/I - US	33-2386 ♦	PS-7024	Cooper	1.6L L4 F/I - Non-US, Convertible, w/Auto Trans.	33-2885	
Cooper Clubman	1.6L L4 F/I		PS-7024			33-2885 ♦	
Cooper Clubman	1.6L L4 F/I - US	33-2386 ♦	PS-7024	Cooper	1.6L L4 F/I - Non-US, Coupe	33-2941 ♦	
Cooper Countryman D	1.6L L4 DSL	E-2985				33-2941 ♦	
Cooper Countryman S	1.6L L4 F/I		PS-7024	Cooper	1.6L L4 F/I - US, Convertible, w/Auto Trans.	33-2239 ♦	
Cooper Countryman S	1.6L L4 F/I - w/Manual Trans.	33-2936	PS-7024	Cooper	1.6L L4 F/I - US, Coupe	33-2386 ♦	
Cooper D	1.6L L4 DSL - from 9/10	E-2985		Cooper	1.6L L4 F/I - US, Coupe	33-2386 ♦	
Cooper D	1.6L L4 DSL - To 8/10	33-2929		Cooper D	1.6L L4 DSL	33-2929 ♦	
Cooper John Cooper Works	1.6L L4 F/I	33-2936	PS-7024	Cooper S	1.6L L4 F/I - Convertible	33-2270 ♦	
Cooper John Cooper Works Clubman	1.6L L4 F/I	33-2936	PS-7024	Cooper S	1.6L L4 F/I - Coupe	33-2936 ♦	PS-7024
Cooper S	1.6L L4 F/I		PS-7024	Cooper S One	1.4L L4 F/I	33-2941 ♦	
Cooper S	1.6L L4 F/I - US	33-2936 ♦	PS-7024	2006 MINI			
Cooper S Clubman	1.6L L4 F/I		PS-7024	Cooper	1.4L L4 F/I	33-2239	
Cooper S Clubman	1.6L L4 F/I - US	33-2936 ♦	PS-7024	Cooper	1.6L L4 F/I - Non-US, from 11/06, Coupe	33-2941 ♦	
2009 MINI				Cooper	1.6L L4 F/I - US, w/Manual Trans.	33-2885 ♦	
Cooper	1.6L L4 F/I		PS-7024	Cooper	1.6L L4 F/I - w/Auto Trans.	33-2239 ♦	
Cooper	1.6L L4 F/I - US	33-2386 ♦	PS-7024	Cooper S	1.6L L4 F/I	33-2270 ♦	
Cooper Clubman	1.6L L4 F/I		PS-7024	2005 MINI			
Cooper Clubman	1.6L L4 F/I - US	33-2386 ♦	PS-7024	Cooper	1.4L L4 F/I	33-2239	
Cooper D	1.6L L4 DSL	33-2929 ♦		Cooper	1.6L L4 F/I - Non-US	33-2885 ♦	
Cooper John Cooper Works	1.6L L4 F/I	33-2936	PS-7024	Cooper	1.6L L4 F/I - US, w/Auto Trans.	33-2239 ♦	
Cooper S	1.6L L4 F/I		PS-7024	Cooper	1.6L L4 F/I - US, w/Manual Trans.	33-2885 ♦	
Cooper S	1.6L L4 F/I - US	33-2936 ♦	PS-7024	Cooper S	1.6L L4 F/I	33-2270 ♦	
Cooper S Clubman	1.6L L4 F/I		PS-7024	2004 MINI			
Cooper S Clubman	1.6L L4 F/I - US	33-2936 ♦	PS-7024	Cooper	1.4L L4 F/I	33-2239	
2008 MINI				Cooper	1.6L L4 F/I - from 8/04, w/Manual Trans.	33-2885 ♦	
Cooper	1.6L L4 F/I - Convertible, w/Manual Trans.	33-2885 ♦		Cooper	1.6L L4 F/I - Non-US, from 8/04	33-2885 ♦	
Cooper	1.6L L4 F/I - Coupe		PS-7024	Cooper	1.6L L4 F/I - to 7/04	33-2239 ♦	
Cooper	1.6L L4 F/I - Non-US, Convertible	33-2885		Cooper	1.6L L4 F/I - to 7/04, US, from 8/04, w/Auto Trans.	33-2239 ♦	
		33-2885 ♦		Cooper S	1.6L L4 F/I	33-2270 ♦	
Cooper	1.6L L4 F/I - Non-US, Coupe	33-2941 ♦		2003 MINI			
		33-2941 ♦		Cooper	1.4L L4 F/I	33-2239	
Cooper	1.6L L4 F/I - US, Convertible, w/Auto Trans.	33-2239 ♦		Cooper	1.6L L4 F/I - from 8/04, w/Manual Trans.	33-2885 ♦	
Cooper	1.6L L4 F/I - US, Coupe	33-2386 ♦		Cooper	1.6L L4 F/I - Non-US, from 8/04	33-2885 ♦	
Cooper Clubman	1.6L L4 F/I		PS-7024	Cooper	1.6L L4 F/I - to 7/04	33-2239 ♦	
				Cooper	1.6L L4 F/I - to 7/04, US, from 8/04, w/Auto Trans.	33-2239 ♦	
				Cooper S	1.6L L4 F/I	33-2270 ♦	

* 2 filters required ♦ Intake System Available - see page 81 +Cabin Air Filter Available - see page 453 1- Pro Series Filter Available

MINI

AIR & OIL FILTERS

Vehicle	Engine Type	Air Filter	Oil Filter
---------	-------------	------------	------------

2003 MINI

Cooper	1.4L L4 F/I	33-2239	
Cooper	1.6L L4 F/I	33-2239 ♦	
Cooper S	1.6L L4 F/I	33-2270 ♦	

2002 MINI

Cooper	1.6L L4 F/I	33-2239 ♦	
Cooper S	1.6L L4 F/I	33-2270 ♦	
One	1.6L L4 F/I	33-2239 ♦	

2016 MITSUBISHI

Outlander	3.0L V6 F/I	33-3015+	
Pajero IV	3.2L V6 DSL	33-2164	

2015 MITSUBISHI

L200	2.5L L4 DSL	33-2951	
Lancer	2.0L L4 F/I	33-3015+	HP-1004 ¹
Lancer	2.4L L4 F/I		HP-1004 ¹
Lancer	2.4L L4 F/I - w/Auto Trans.	33-2392+	HP-1004
Lancer	2.4L L4 F/I - w/Manual Trans.	33-3015+	HP-1004
Lancer Evolution	2.0L L4 F/I	33-2392+	HP-1004 ¹
Lancer Ralliart	2.0L L4 F/I	33-2392+	HP-1004 ¹
Lancer VI	1.6L L4 F/I	33-2392	
Lancer VI	1.8L L4 DSL	33-2050-1	
Lancer VI	1.8L L4 F/I	33-2392	
Mirage	1.2L L3 F/I	33-3016	HP-1010 ¹
Outlander	2.0L L4 F/I	33-3015	
Outlander	2.2L L4 DSL	33-2050-1	
Outlander	2.4L L4 F/I	33-3015+	HP-1010 ¹
Outlander	3.0L V6 F/I	33-3015+	HP-1004 ¹
Outlander Sport	2.0L L4 F/I	33-3015+	HP-1010 ¹
Outlander Sport	2.4L L4 F/I	33-3015+	
Pajero IV	3.2L V6 DSL	33-2164	
RVR	2.0L L4 F/I		HP-1010 ¹
Space Star	1.2L L3 F/I	33-3016	

2014 MITSUBISHI

L200	2.5L L4 DSL	33-2951	
Lancer	2.0L L4 F/I	33-3015 ♦+	HP-1004 ¹
Lancer	2.4L L4 F/I	33-2392 ♦+	HP-1010 ¹
Lancer Evolution	2.0L L4 F/I	33-2392+	HP-1004 ¹
Lancer Evolution GSR	2.0L L4 F/I	33-2392 ♦+	HP-1004 ¹
Lancer Evolution MR	2.0L L4 F/I	33-2392+	HP-1004 ¹
Lancer Ralliart	2.0L L4 F/I	33-2392+	HP-1004 ¹
Lancer VI	1.6L L4 F/I	33-2392	
Lancer VI	1.8L L4 DSL	33-2050-1	
Lancer VI	1.8L L4 F/I	33-2392	
Mirage	1.2L L3 F/I	33-3016	HP-1010 ¹
Outlander	2.0L L4 F/I	33-3015	
Outlander	2.2L L4 DSL	33-2050-1	
Outlander	2.4L L4 F/I	33-3015+	HP-1004 ¹
Outlander	3.0L V6 F/I	33-3015+	HP-1010 ¹
Outlander Sport	2.0L L4 F/I	33-3015+	HP-1004 ¹
Pajero IV	3.2L V6 DSL	33-2164	
RVR	2.0L L4 F/I		HP-1010 ¹

2013 MITSUBISHI

L200	2.5L L4 DSL	33-2951	
Lancer	2.0L L4 F/I	33-3015 ♦+	HP-1004 ¹
Lancer	2.4L L4 F/I	33-2392 ♦+	HP-1010 ¹
Lancer Evolution GSR	2.0L L4 F/I	33-2392 ♦+	HP-1004 ¹
Lancer Evolution MR	2.0L L4 F/I	33-2392+	HP-1004 ¹
Lancer Ralliart	2.0L L4 F/I	33-2392+	HP-1004 ¹
Lancer VI	1.6L L4 F/I	33-2392	
Lancer VI	1.8L L4 DSL	33-2050-1	

Vehicle	Engine Type	Air Filter	Oil Filter
---------	-------------	------------	------------

2013 MITSUBISHI

Lancer VI	1.8L L4 F/I	33-2392	
Lancer VI	2.0L L4 F/I	33-2392	
Lancer VI	2.0L L4 F/I - Exc. Turbo	33-2392	HP-1010 ¹
Lancer VI	2.0L L4 F/I - Turbo	33-2392	HP-1004 ¹
Outlander	2.4L L4 F/I	33-2392+	HP-1004 ¹
Outlander	3.0L V6 F/I	33-2392+	HP-1010 ¹
Outlander Sport	2.0L L4 F/I	33-3015+	HP-1004 ¹
Pajero IV	3.2L V6 DSL	33-2164	
RVR	2.0L L4 F/I		HP-1010 ¹

2012 MITSUBISHI

ASX	1.8L L4 DSL	33-2050-1	
ASX	1.8L L4 F/I - from 3/12	33-3015	
Eclipse	2.4L L4 F/I	33-2285	HP-1004 ¹
Eclipse	3.8L V6 F/I	33-2285	HP-1010 ¹
Galant	2.4L L4 F/I	33-2285+	HP-1004 ¹
L200	2.5L L4 DSL	33-2951	
Lancer	2.0L L4 F/I	33-2392 ♦+	HP-1010 ¹
Lancer	2.4L L4 F/I	33-2392 ♦+	HP-1010 ¹
Lancer Evolution GSR	2.0L L4 F/I	33-2392 ♦+	HP-1004 ¹
Lancer Evolution MR	2.0L L4 F/I	33-2392+	HP-1004 ¹
Lancer Ralliart	2.0L L4 F/I	33-2392+	HP-1004 ¹
Lancer Sportback	2.0L L4 F/I	33-2392+	HP-1004 ¹
Lancer VI	1.6L L4 F/I	33-2392	
Lancer VI	1.8L L4 DSL	33-2050-1	
Lancer VI	1.8L L4 F/I	33-2392	
Lancer VI	2.0L L4 F/I	33-2392	
Lancer VI	2.0L L4 F/I - Exc. Turbo	33-2392	HP-1010 ¹
Lancer VI	2.0L L4 F/I - Turbo	33-2392	HP-1004 ¹
Outlander	2.0L L4 F/I - From 7/12	33-3015	
Outlander	2.0L L4 F/I - to 6/12	33-2392	
Outlander	2.2L L4 DSL - 156BHP	33-2392	
Outlander	2.2L L4 DSL - 177BHP	33-2050-1	
Outlander	2.4L L4 F/I	33-2392+	HP-1004 ¹
Outlander	3.0L V6 F/I	33-2392+	HP-1010 ¹
Outlander Sport	2.0L L4 F/I	33-2392+	HP-1004 ¹
Pajero IV	3.2L V6 DSL	33-2164	
RVR	2.0L L4 F/I		HP-1010 ¹

2011 MITSUBISHI

Eclipse	2.4L L4 F/I	33-2285	HP-1004 ¹
Eclipse	3.8L V6 F/I	33-2285 ♦	HP-1010 ¹
Endeavor	3.8L V6 F/I	33-2285+	HP-1010 ¹
Galant	2.4L L4 F/I	33-2285+	HP-1004 ¹
L200	2.5L L4 DSL	33-2951	
Lancer	2.0L L4 F/I	33-2392 ♦+	HP-1010 ¹
Lancer	2.4L L4 F/I	33-2392 ♦+	HP-1010 ¹
Lancer Evolution GSR	2.0L L4 F/I	33-2392 ♦+	HP-1004 ¹
Lancer Evolution MR	2.0L L4 F/I	33-2392+	HP-1004 ¹
Lancer Ralliart	2.0L L4 F/I	33-2392+	HP-1004 ¹
Lancer VI	1.6L L4 F/I	33-2392	
Lancer VI	1.8L L4 DSL	33-2050-1	
Lancer VI	1.8L L4 F/I	33-2392	
Lancer VI	2.0L L4 F/I	33-2392	
Lancer VI	2.0L L4 F/I - Exc. Turbo	33-2392	HP-1010 ¹
Lancer VI	2.0L L4 F/I - Turbo	33-2392	HP-1004 ¹
Outlander	2.2L L4 DSL - 156BHP	33-2392	
Outlander	2.2L L4 DSL - 177BHP	33-2050-1	
Outlander	2.4L L4 F/I	33-2392+	HP-1004 ¹
Outlander	3.0L V6 F/I	33-2392+	HP-1010 ¹
Outlander Sport	2.0L L4 F/I	33-2392+	HP-1004 ¹
Pajero IV	3.2L V6 DSL	33-2164	
RVR	2.0L L4 F/I		HP-1010 ¹

* 2 filters required ♦ Intake System Available - see page 81 +Cabin Air Filter Available - see page 453 1- Pro Series Filter Available

AIR & OIL FILTERS

MITSUBISHI

Vehicle	Engine Type	Air Filter	Oil Filter
2010 MITSUBISHI			
Eclipse	2.4L L4 F/I	33-2285	HP-1004 ¹
Eclipse	3.8L V6 F/I	33-2285 ♦	HP-1010 ¹
Endeavor	3.8L V6 F/I	33-2285+	HP-1010 ¹
Galant	2.4L L4 F/I	33-2285+	HP-1004 ¹
L200	2.5L L4 DSL	33-2951	
Lancer	1.5L L4 F/I	33-2392	
Lancer	1.8L L4 F/I	33-2392	
Lancer	2.0L L4 DSL	33-2392	
Lancer	2.0L L4 F/I	33-2392 ♦+	HP-1010 ¹
Lancer	2.4L L4 F/I	33-2392 ♦+	HP-1010 ¹
Lancer Evolution GSR	2.0L L4 F/I	33-2392 ♦+	HP-1004 ¹
Lancer Evolution MR	2.0L L4 F/I	33-2392+	HP-1004 ¹
Lancer Ralliart	2.0L L4 F/I	33-2392+	HP-1004 ¹
Lancer VI	1.6L L4 F/I	33-2392	
Outlander	2.4L L4 F/I	33-2392+	HP-1004 ¹
Outlander	3.0L V6 F/I	33-2392+	HP-1010 ¹
Pajero IV	3.2L V6 DSL	33-2164	

2009 MITSUBISHI			
Eclipse	2.4L L4 F/I	33-2285	HP-1004 ¹
Eclipse	3.8L V6 F/I	33-2285 ♦	HP-1010 ¹
Galant	2.4L L4 F/I	33-2285+	HP-1004 ¹
Galant	3.8L V6 F/I	33-2285+	HP-1010 ¹
L200	2.5L L4 DSL	33-2951	
Lancer	1.5L L4 F/I	33-2392	
Lancer	1.8L L4 F/I	33-2392	
Lancer	2.0L L4 DSL	33-2392	
Lancer	2.0L L4 F/I	33-2392 ♦+	HP-1010 ¹
Lancer	2.4L L4 F/I	33-2392 ♦+	HP-1010 ¹
Lancer Evolution GSR	2.0L L4 F/I	33-2392 ♦+	HP-1004 ¹
Lancer Evolution MR	2.0L L4 F/I	33-2392+	HP-1004 ¹
Lancer Evolution RS	2.0L L4 F/I	33-2392+	HP-1010 ¹
Lancer Ralliart	2.0L L4 F/I	33-2392+	HP-1004 ¹
Outlander	2.4L L4 F/I	33-2392+	HP-1004 ¹
Outlander	3.0L V6 F/I	33-2392+	HP-1010 ¹
Pajero IV	3.8L V6 F/I	33-2164	
Raider	3.7L V6 F/I	33-2175	

2008 MITSUBISHI			
Colt CZC Cabriolet	1.5L L4 F/I	33-2881 ♦	
Eclipse	2.4L L4 F/I	33-2285	HP-1008 ¹
Eclipse	3.8L V6 F/I	33-2285 ♦	HP-1010 ¹
Endeavor	3.8L V6 F/I	33-2285+	HP-1010 ¹
Galant	2.4L L4 F/I	33-2285+	HP-1004 ¹
Galant	3.8L V6 F/I	33-2285+	
L200	2.5L L4 DSL	33-2951	
Lancer	1.3L L4 F/I	33-2105	
Lancer	1.5L L4 F/I	33-2392	
Lancer	1.6L L4 F/I	33-2105	
Lancer	1.8L L4 F/I	33-2392	
Lancer	2.0L L4 DSL	33-2392	
Lancer	2.0L L4 F/I	33-2392 ♦+	HP-1010 ¹
Lancer Evolution GSR	2.0L L4 F/I	33-2392 ♦+	HP-1010 ¹
Lancer Evolution MR	2.0L L4 F/I	33-2392+	HP-1010 ¹
Outlander	2.4L L4 F/I	33-2392+	HP-1004 ¹
Outlander	3.0L V6 F/I	33-2392+	HP-1010 ¹
Pajero IV	3.2L V6 DSL	33-2164	
Pajero IV	3.8L V6 F/I	33-2164	
Raider	3.7L V6 F/I	33-2175 ♦	HP-2009 ¹
Triton	2.5L L4 DSL	33-2951	

2007 MITSUBISHI			
Eclipse	2.4L L4 F/I	33-2285	HP-1008 ¹

Vehicle	Engine Type	Air Filter	Oil Filter
2007 MITSUBISHI			
Eclipse	3.8L V6 F/I	33-2285 ♦	HP-1010 ¹
Endeavor	3.8L V6 F/I	33-2285+	HP-1010 ¹
Galant	2.4L L4 F/I	33-2285+	HP-1010 ¹
Galant	3.8L V6 F/I	33-2285+	HP-1010 ¹
L200	2.5L L4 DSL	33-2951	
Lancer	1.6L L4 F/I	33-2105	
Lancer	2.0L L4 F/I	33-2105	
Lancer	2.0L L4 F/I - Exc. Turbo, Non-US	33-2105	HP-1008 ¹
Lancer	2.4L L4 F/I	33-2105	HP-1004 ¹
Lancer Evolution	2.0L L4 F/I	33-2105	
Lancer Evolution	2.0L L4 F/I - Turbo	33-2105	HP-1010 ¹
Montero Sport	3.5L V6 F/I		HP-1010 ¹
Outlander	2.4L L4 F/I - from 3/07	33-2392	
Outlander	3.0L V6 F/I	33-2392+	HP-1008 ¹
Pajero IV	3.8L V6 F/I	33-2164	
Raider	3.7L V6 F/I	33-2175 ♦	HP-2009 ¹

2006 MITSUBISHI			
Colt CZC Cabriolet	1.5L L4 F/I	33-2881 ♦	
Colt VI	1.5L L3 DSL	33-2881	
Colt VI	1.5L L4 F/I	33-2881 ♦	
Eclipse	2.4L L4 F/I	33-2285	HP-1008 ¹
Eclipse	3.8L V6 F/I	33-2285 ♦	HP-1010 ¹
Endeavor	3.8L V6 F/I	33-2285+	HP-1010 ¹
Galant	2.4L L4 F/I	33-2285+	HP-1008 ¹
Galant	3.8L V6 F/I	33-2285+	HP-1010 ¹
L200	2.5L L4 DSL - From 5/06	33-2951 ♦	
Lancer	1.6L L4 F/I	33-2105	
Lancer	2.0L L4 F/I	33-2105 ♦	HP-1008 ¹
Lancer	2.4L L4 F/I	33-2105	HP-1008 ¹
Lancer Evolution	2.0L L4 F/I	33-2105 ♦	HP-1010 ¹
Montero	3.8L V6 F/I	33-2164	HP-1004 ¹
Outlander	2.0L L4 F/I	33-2105	
Outlander	2.4L L4 F/I	33-2105	HP-1008 ¹
Raider	3.7L V6 F/I	33-2175 ♦	HP-2009 ¹
Raider	4.7L V8 F/I	33-2175 ♦	HP-2004 ¹

2005 MITSUBISHI			
Colt VI	1.3L L4 F/I	33-2881 ♦	
Eclipse	2.4L L4 F/I	33-2072	HP-1010 ¹
		33-2072 ♦	HP-1010 ¹
Eclipse	3.0L V6 F/I	33-2072 ♦	HP-1004 ¹
Eclipse GT	3.0L V6 F/I	33-2072 ♦	HP-1004 ¹
Endeavor	3.8L V6 F/I	33-2285+	HP-1010 ¹
Galant	2.4L L4 F/I	33-2285+	HP-1010 ¹
Galant	3.8L V6 F/I	33-2285+	HP-1010 ¹
Lancer	1.6L L4 F/I	33-2105	
Lancer	2.0L L4 F/I	33-2105 ♦	HP-1008 ¹
Lancer Evolution	2.0L L4 F/I	33-2105 ♦	HP-1010 ¹
Lancer Ralliart	2.4L L4 F/I	33-2105	HP-1008 ¹
Montero	3.8L V6 F/I	33-2164	
Outlander	2.4L L4 F/I	33-2105	HP-1008 ¹

2004 MITSUBISHI			
Diamante	3.5L V6 F/I	33-2151	HP-1010 ¹
Eclipse	2.4L L4 F/I	33-2072	HP-1010 ¹
		33-2072 ♦	HP-1010 ¹
Eclipse	3.0L V6 F/I	33-2072 ♦	HP-1004 ¹
Eclipse GT	3.0L V6 F/I	33-2072 ♦	HP-1004 ¹
Endeavor	3.8L V6 F/I	33-2285+	HP-1010 ¹
Galant	2.4L L4 F/I	33-2285+	HP-1010 ¹
Galant	3.8L V6 F/I	33-2285+	HP-1010 ¹
Galant IV	2.4L L4 F/I	33-2794	HP-1010 ¹
Lancer	1.6L L4 F/I	33-2105	

* 2 filters required ♦ Intake System Available - see page 81 +Cabin Air Filter Available - see page 453 1- Pro Series Filter Available

MITSUBISHI

AIR & OIL FILTERS

Vehicle	Engine Type	Air Filter	Oil Filter
2004 MITSUBISHI			
Lancer	2.0L L4 F/I	33-2105 ♦	HP-1008 ¹
Lancer Evolution	2.0L L4 F/I	33-2105 ♦	HP-1010 ¹
Lancer Ralliart	2.4L L4 F/I	33-2105	HP-1008 ¹
Lancer Sportback	2.4L L4 F/I	33-2105	HP-1008 ¹
Montero	3.8L V6 F/I	33-2164	HP-1004 ¹
Montero Sport	3.5L V6 F/I	33-2112	HP-1004 ¹
Outlander	2.0L L4 F/I	33-2105	
Outlander	2.4L L4 F/I	33-2105	HP-1008 ¹
Pajero III	3.2L L4 DSL	33-2164	

Vehicle	Engine Type	Air Filter	Oil Filter
2003 MITSUBISHI			
Diamante	3.5L V6 F/I	33-2151	HP-1010 ¹
Eclipse	2.4L L4 F/I	33-2072 ♦	HP-1010 ¹
Eclipse	3.0L V6 F/I	33-2072 ♦	HP-1004 ¹
Eclipse GT	3.0L V6 F/I	33-2072 ♦	HP-1004 ¹
Galant	2.4L L4 F/I	33-2072	HP-1010 ¹
Galant	3.0L V6 F/I	33-2072	HP-1004 ¹
Galant IV	2.4L L4 F/I	33-2794	HP-1010 ¹
Galant VI	2.0L L4 F/I	33-2794	
Galloper	2.5L L4 DSL	E-4810	
Lancer	1.3L L4 F/I - From 10/03	33-2105	
Lancer	1.3L L4 F/I - To 9/03	33-2074	
Lancer	1.6L L4 F/I - From 10/03	33-2105	
Lancer	1.6L L4 F/I - To 9/03	33-2074	
Lancer	2.0L L4 F/I	33-2105 ♦	HP-1010 ¹
Lancer Evolution	2.0L L4 F/I	33-2105 ♦	HP-1008 ¹
Lancer V	1.6L L4 F/I - From 10/03	33-2105	
Lancer V	1.6L L4 F/I - To 9/03	33-2074	
Lancer VI	1.3L L4 F/I - From 10/03	33-2105	
Lancer VI	1.3L L4 F/I - To 9/03	33-2074	
Lancer VI	1.6L L4 F/I - From 10/03	33-2105	
Lancer VI	1.6L L4 F/I - To 9/03	33-2074	
Lancer VI	2.0L L4 F/I	33-2105	HP-1010 ¹
Montero	3.8L V6 F/I	33-2164	HP-1004 ¹
Montero Sport	3.0L V6 F/I	33-2045	HP-1004 ¹
Montero Sport	3.5L V6 F/I	33-2112	HP-1004 ¹
Outlander	2.0L L4 F/I	33-2105	
Outlander	2.4L L4 F/I	33-2105	HP-1008 ¹

Vehicle	Engine Type	Air Filter	Oil Filter
2002 MITSUBISHI			
Diamante	3.5L V6 F/I	33-2151	HP-1010 ¹
Eclipse	2.4L L4 F/I	33-2072 ♦	HP-1010 ¹
Eclipse	3.0L V6 F/I	33-2072 ♦	HP-1004 ¹
Galant	2.4L L4 F/I	33-2072	HP-1010 ¹
Galant	3.0L V6 F/I	33-2072	HP-1004 ¹
Galant IV	2.4L L4 F/I	33-2794	HP-1010 ¹
Galant VI	2.0L L4 F/I	33-2794	
Galloper	2.5L L4 DSL	E-4810	
Lancer	2.0L L4 F/I	33-2105 ♦	HP-1010 ¹
Lancer V	1.6L L4 F/I	33-2074	
Lancer VI	1.3L L4 F/I	33-2074	
Lancer VI	1.6L L4 F/I	33-2074	
Lancer VI	2.0L L4 F/I	33-2105	HP-1010 ¹
Mirage	1.5L L4 F/I	33-2105	HP-1010 ¹
Montero	3.5L V6 F/I	33-2164	HP-1004 ¹
Montero Sport	3.0L V6 F/I	33-2045	HP-1004 ¹
Montero Sport	3.5L V6 F/I	33-2112	HP-1004 ¹
Pajero III	3.2L L4 DSL	33-2164	
Pajero III	3.5L V6 DSL	33-2164	

Vehicle	Engine Type	Air Filter	Oil Filter
2001 MITSUBISHI			
Diamante	3.5L V6 F/I	33-2151	

Vehicle	Engine Type	Air Filter	Oil Filter
2001 MITSUBISHI			
Eclipse	2.4L L4 F/I	33-2072 ♦	HP-1010 ¹
Eclipse	3.0L V6 F/I	33-2072 ♦	HP-1004 ¹
Galant	2.4L L4 F/I	33-2072	HP-1010 ¹
Galant	3.0L V6 F/I	33-2072	HP-1004 ¹
Galant IV	2.4L L4 F/I	33-2794	HP-1010 ¹
Magna	3.5L V6 F/I - Exc. LPG	33-2151	
Mirage	1.5L L4 F/I	33-2105	HP-1010 ¹
Mirage	1.8L L4 F/I	33-2105	HP-1010 ¹
Montero	3.5L V6 F/I	33-2164	HP-1004 ¹
Montero Sport	3.0L V6 F/I	33-2045	HP-1004 ¹
Montero Sport	3.5L V6 F/I	33-2112	HP-1004 ¹
Pajero III	3.2L L4 DSL	33-2164	

Vehicle	Engine Type	Air Filter	Oil Filter
2000 MITSUBISHI			
Diamante	3.5L V6 F/I	33-2151	HP-1010 ¹
Eclipse	2.4L L4 F/I	33-2072 ♦	HP-1010 ¹
Eclipse	3.0L V6 F/I	33-2072 ♦	HP-1004 ¹
Galant	2.4L L4 F/I	33-2072	HP-1010 ¹
Galant	3.0L V6 F/I	33-2072	HP-1004 ¹
Galant IV	2.4L L4 F/I	33-2794	HP-1010 ¹
Galant VI	2.0L L4 F/I	33-2794	
Lancer VI	2.0L L4 F/I	33-2105	
Mirage	1.5L L4 F/I	33-2105	HP-1010 ¹
Mirage	1.8L L4 F/I	33-2105	HP-1010 ¹
Montero	3.5L V6 F/I	33-2112	
Montero Sport	3.0L V6 F/I	33-2045	HP-1004 ¹
Montero Sport	3.5L V6 F/I	33-2112	HP-1004 ¹

Vehicle	Engine Type	Air Filter	Oil Filter
1999 MITSUBISHI			
3000GT	3.0L V6 F/I	33-2045 ♦	HP-1004 ¹
Diamante	3.5L V6 F/I	33-2151	
Eclipse	2.0L L4 F/I	33-2072	
Eclipse		33-2072 ♦	
Eclipse	2.0L L4 F/I - Exc. Turbo	33-2072	HP-2004 ¹
Eclipse	2.0L L4 F/I - Turbo	33-2072	HP-1010 ¹
Eclipse	2.4L L4 F/I	33-2072	HP-1010 ¹
Eclipse II	2.0L L4 F/I	33-2072	
Eclipse II	2.0L L4 F/I - Exc. Turbo	33-2072	HP-2004 ¹
Eclipse II	2.0L L4 F/I - Turbo	33-2072	HP-1010 ¹
Eclipse II	2.4L L4 F/I	33-2072	HP-1010 ¹
Eclipse II	2.4L L4 F/I	33-2072	HP-1010 ¹
Galant	3.0L V6 F/I	33-2072	HP-1004 ¹
Galant IV	2.4L L4 F/I	33-2794	HP-1010 ¹
Lancer VI	2.0L L4 F/I	33-2105	
Mirage	1.5L L4 F/I	33-2105	HP-1010 ¹
Mirage	1.8L L4 F/I	33-2105	HP-1010 ¹
Montero	3.5L V6 F/I	33-2112	HP-1004 ¹
Montero Sport	3.0L V6 F/I	33-2045	HP-1004 ¹
Montero Sport	3.5L V6 F/I	33-2112	HP-1004 ¹
Pajero II	2.8L L4 DSL	E-2871	

Vehicle	Engine Type	Air Filter	Oil Filter
1998 MITSUBISHI			
3000GT	3.0L V6 F/I	33-2045 ♦	HP-1004 ¹
Diamante	3.5L V6 F/I	33-2151	
Eclipse	2.0L L4 F/I	33-2072	
Eclipse		33-2072 ♦	
Eclipse	2.0L L4 F/I - Exc. Turbo	33-2072	HP-2004 ¹
Eclipse	2.0L L4 F/I - Turbo	33-2072	HP-1010 ¹
Eclipse	2.4L L4 F/I	33-2072	HP-1010 ¹
Eclipse II	2.0L L4 F/I	33-2072	
Eclipse II	2.0L L4 F/I - Exc. Turbo	33-2072	HP-2004 ¹
Eclipse II	2.0L L4 F/I - Turbo	33-2072	HP-1010 ¹
Eclipse II	2.4L L4 F/I	33-2072	HP-1010 ¹
Eclipse II	2.4L L4 F/I	33-2072	HP-1010 ¹
Galant	2.0L L4 F/I	33-2147	
Montero	3.5L V6 F/I	33-2112	HP-1004 ¹
Montero Sport	2.4L L4 F/I	33-2045	

* 2 filters required ♦ Intake System Available - see page 81 +Cabin Air Filter Available - see page 453 1- Pro Series Filter Available

AIR & OIL FILTERS

MITSUBISHI

Vehicle	Engine Type	Air Filter	Oil Filter
1998 MITSUBISHI			
Montero Sport	3.0L V6 F/I	33-2045	HP-1004 ¹
1997 MITSUBISHI			
3000GT	3.0L V6 F/I	33-2045 ♦	HP-1004 ¹
Diamante	3.5L V6 F/I	33-2151	
Eclipse	2.0L L4 F/I	33-2072	
		33-2072 ♦	
Eclipse	2.0L L4 F/I - Exc. Turbo	33-2072	HP-2004 ¹
Eclipse	2.0L L4 F/I - Turbo	33-2072	HP-1010 ¹
Eclipse	2.4L L4 F/I	33-2072	HP-1010 ¹
Eclipse II	2.0L L4 F/I	33-2072	
Eclipse II	2.0L L4 F/I - Exc. Turbo	33-2072	HP-2004 ¹
Eclipse II	2.0L L4 F/I - Turbo	33-2072	HP-1010 ¹
Galant	2.4L L4 F/I	33-2072	HP-1010 ¹
Mirage	1.5L L4 F/I	33-2105	HP-1010 ¹
Mirage	1.8L L4 F/I	33-2105	HP-1010 ¹
Montero	3.5L V6 F/I	33-2112	
Montero Sport	3.0L V6 F/I	33-2045	HP-1004 ¹
1996 MITSUBISHI			
3000GT	3.0L V6 F/I	33-2045 ♦	HP-1004 ¹
Eclipse	2.0L L4 F/I	33-2072	
		33-2072 ♦	
Eclipse	2.0L L4 F/I - Exc. Turbo	33-2072	HP-2004 ¹
Eclipse	2.0L L4 F/I - Turbo	33-2072	HP-1010 ¹
Eclipse	2.4L L4 F/I	33-2072	HP-1010 ¹
Eclipse II	2.0L L4 F/I	33-2072	
Eclipse II	2.0L L4 F/I - Exc. Turbo	33-2072	HP-2004 ¹
Eclipse II	2.0L L4 F/I - Turbo	33-2072	HP-1010 ¹
Montero	3.0L V6 F/I	33-2112	
Montero	3.5L V6 F/I	33-2112	
Pajero II	2.8L L4 DSL	E-2871	
1995 MITSUBISHI			
3000GT	3.0L V6 F/I	33-2045 ♦	HP-1004 ¹
Eclipse	2.0L L4 F/I	33-2072	
		33-2072 ♦	
Eclipse	2.0L L4 F/I - Exc. Turbo	33-2072	HP-2004 ¹
Eclipse	2.0L L4 F/I - Turbo	33-2072	HP-1010 ¹
Eclipse I	2.0L L4 F/I	E-2875	
Eclipse II	2.0L L4 F/I	33-2072	
Eclipse II	2.0L L4 F/I - Exc. Turbo	33-2072	HP-2004 ¹
Eclipse II	2.0L L4 F/I - Turbo	33-2072	HP-1010 ¹
Mighty Max	2.4L L4 F/I	33-2045	HP-1010 ¹
Montero	3.0L V6 F/I	33-2112	
Montero	3.5L V6 F/I	33-2112	
Pajero II	2.8L L4 DSL	E-2871	
1994 MITSUBISHI			
3000GT	3.0L V6 F/I	33-2045 ♦	HP-1004 ¹
Eclipse	1.8L L4 F/I	E-2875	HP-1010 ¹
Eclipse	2.0L L4 F/I	E-2875	HP-1010 ¹
Eclipse I	2.0L L4 F/I	E-2875	HP-1010 ¹
Mighty Max	2.4L L4 F/I	33-2045	
Montero	3.0L V6 F/I	33-2045	
Pajero II	2.8L L4 DSL	E-2871	
1993 MITSUBISHI			
3000GT	3.0L V6 F/I	33-2045 ♦	HP-1004 ¹
Eclipse	1.8L L4 F/I	E-2875	HP-1010 ¹
Eclipse	2.0L L4 F/I	E-2875	HP-1010 ¹
		E-2875 ♦	HP-1010 ¹
Eclipse I	2.0L L4 F/I	E-2875	HP-1010 ¹
Pajero II	2.5L L4 DSL	E-2871	
1992 MITSUBISHI			
3000GT	3.0L V6 F/I	33-2045 ♦	HP-1004 ¹

Vehicle	Engine Type	Air Filter	Oil Filter
1992 MITSUBISHI			
Eclipse	2.0L L4 F/I	E-2875	HP-1005
		E-2875 ♦	HP-1005
Eclipse I	2.0L L4 F/I	E-2875	HP-1005
Galant	2.0L L4 F/I	E-2875	HP-1005
Galant IV	2.0L L4 F/I	E-2875	
Galant V	2.0L L4 F/I	33-2072	
Mighty Max	2.4L L4 F/I	33-2045	
1991 MITSUBISHI			
3000GT	3.0L V6 F/I	33-2045 ♦	HP-1004 ¹
Eclipse	2.0L L4 F/I	E-2875	HP-1005
		E-2875 ♦	HP-1005
Eclipse I	2.0L L4 F/I	E-2875	HP-1005
Galant	2.0L L4 F/I	E-2875	HP-1005
Galant IV	2.0L L4 F/I	E-2875	
Mighty Max	2.4L L4 F/I	33-2045	HP-1005
Montero	3.0L V6 F/I	E-2875	HP-1005
Pajero II	2.5L L4 DSL	E-2871	
1990 MITSUBISHI			
Eclipse	2.0L L4 F/I	E-2875	HP-1005
		E-2875 ♦	HP-1005
Mighty Max	2.4L L4 F/I		HP-1005
1989 MITSUBISHI			
Pajero I	2.5L L4 DSL	E-2871	
1988 MITSUBISHI			
Starion	2.6L L4 F/I	E-2873	
1987 MITSUBISHI			
Starion	2.6L L4 F/I	E-2873	
1986 MITSUBISHI			
Starion	2.6L L4 F/I	E-2873	
2015 MOTO GUZZI			
Stelvio 1200 NTX	1200		KN-151
2008 MOTO GUZZI			
Breva 1200 Sport	1100	AL-1001	
Norge 1200	1200	AL-1001	
2007 MOTO GUZZI			
Breva 1100	1100	AL-1001	
Norge 1200	1200	AL-1001	
2006 MOTO GUZZI			
Breva 1100	1100	AL-1001	
1995 MOTO GUZZI			
California 1100	1064	CG-9002	
1982 MOTO GUZZI			
V1000 G5	1000	MG-2640	
1981 MOTO GUZZI			
V1000 G5	1000	MG-2640	
1976 MOTO GUZZI			
850	850	MG-0200	
2008 MV AGUSTA			
F4 R 312	1078		KN-204
2016 NISSAN			
370Z	3.7L V6 F/I	33-2399* ♦	
Altima	2.5L L4 F/I	33-2478 ♦	
Altima	3.5L V6 F/I	33-2031-2 ♦	
Frontier	2.5L L4 F/I	33-2324+	
Frontier	4.0L V6 F/I	33-2286 ♦+	
GT-R	3.8L V6 F/I	33-2413	

* 2 filters required ♦ Intake System Available - see page 81 +Cabin Air Filter Available - see page 453 1- Pro Series Filter Available

NISSAN

AIR & OIL FILTERS

Vehicle	Engine Type	Air Filter	Oil Filter	Vehicle	Engine Type	Air Filter	Oil Filter
2016 NISSAN				2014 NISSAN			
Juke	1.6L L4 F/I	33-2409		Note	1.2L L3 F/I - Turbo	33-3027	
Maxima	3.5L V6 F/I	33-2031-2 ♦		NV200	1.5L L4 DSL	33-2927	
Rogue	2.5L L4 F/I	33-5016		NV200	1.6L L4 F/I	33-2375	
Versa	1.6L L4 F/I	33-2479		NV200	2.0L L4 F/I	33-2375	HP-1008 ¹
2015 NISSAN				NV1500	4.0L V6 F/I	33-2286	
370Z	3.7L V6 F/I	33-2399* ♦	HP-1008 ¹	NV2500	4.0L V6 F/I	33-2286	
Altima	2.5L L4 F/I	33-2478 ♦	HP-1008 ¹	NV2500	5.6L V8 F/I	33-2286	HP-1010 ¹
Altima	3.5L V6 F/I	33-2031-2 ♦	HP-1008 ¹	NV3500	5.6L V8 F/I	33-2286	HP-1010 ¹
Armada	5.6L V8 F/I	33-2286 ♦♦	HP-1010 ¹	Pathfinder	2.5L L4 DSL - OEM	33-2080+	
Cube	1.8L L4 F/I		HP-1008 ¹	Pathfinder	16546EB300		
Frontier	2.5L L4 F/I	33-2324+	HP-1008 ¹	Pathfinder	2.5L L4 F/I		HP-1008 ¹
Frontier	4.0L V6 F/I	33-2286 ♦♦	HP-1010 ¹	Pathfinder	3.0L V6 DSL - OEM	33-2080+	
GT-R	3.8L V6 F/I	33-2413	HP-1010 ¹	Pathfinder	16546EB300		
Juke	1.2L L4 F/I	33-2409		Pathfinder	3.5L V6 F/I	33-2031-2 ♦	HP-1008 ¹
Juke	1.5L L4 DSL - OEM	33-2409		Pixo	1.0L L3 F/I	33-2968	
Juke	1654630P00			Quest	3.5L V6 F/I	33-2031-2	HP-1008 ¹
Juke	1.5L L4 DSL - OEM	33-2927		Rogue	2.5L L4 F/I	33-5016	HP-1008 ¹
Juke	16546BC40A			Rogue Select	2.5L L4 F/I	33-2409	HP-1008 ¹
Juke	1.6L L4 F/I	33-2409 ♦	HP-1008 ¹	Sentra	1.8L L4 F/I	33-2409 ♦	HP-1008 ¹
Maxima	3.5L V6 F/I		HP-1008 ¹	Titan	5.6L V8 F/I	33-2286 ♦♦	HP-1008 ¹
Micra	1.2L L3 F/I - Exc. Turbo	33-2409		Versa	1.6L L4 F/I	33-2479	HP-1008 ¹
Micra	1.2L L3 F/I - Turbo	33-3027		Versa Note	1.6L L4 F/I	33-2479	HP-1008 ¹
Micra	1.6L L4 F/I		HP-1008 ¹	Xterra	4.0L V6 F/I	33-2286 ♦♦	HP-1010 ¹
Murano	3.5L V6 F/I	33-2031-2	HP-1008 ¹	2013 NISSAN			
Note	1.2L L3 F/I - Exc. Turbo	33-2409		370Z	3.7L V6 F/I	33-2399* ♦	HP-1008 ¹
Note	1.2L L3 F/I - Turbo	33-3027		Altima	2.5L L4 F/I	33-2478 ♦	HP-1008 ¹
NV200	1.6L L4 F/I	33-2375		Altima	3.5L V6 F/I	33-2031-2 ♦	HP-1008 ¹
NV200	2.0L L4 F/I	33-2375	HP-1008 ¹	Altima Coupe	2.5L L4 F/I	33-2374 ♦	HP-1008 ¹
NV2500	4.0L V6 F/I	33-2286		Armada	5.6L V8 F/I	33-2286 ♦♦	HP-1010 ¹
NV2500	5.6L V8 F/I	33-2286	HP-1010 ¹	Cube	1.8L L4 F/I	33-2375	HP-1008 ¹
NV3500	5.6L V8 F/I	33-2286	HP-1010 ¹	Frontier	2.5L L4 F/I	33-2324+	HP-1008 ¹
Pathfinder	2.5L L4 F/I		HP-1008 ¹	Frontier	4.0L V6 F/I	33-2286 ♦♦	HP-1010 ¹
Pathfinder	3.5L V6 F/I	33-2031-2 ♦	HP-1008 ¹	GT-R	3.8L V6 F/I	33-2413	HP-1010 ¹
Qashqai	1.6L L4 DSL	33-5016		Juke	1.5L L4 DSL	33-2927	
Qashqai	1.6L L4 F/I	33-5016		Juke	1.6L L4 F/I	33-2409 ♦	HP-1008 ¹
Quest	3.5L V6 F/I	33-2031-2	HP-1008 ¹	March	1.6L L4 F/I		HP-1008 ¹
Rogue	2.5L L4 F/I	33-5016	HP-1008 ¹	Maxima	3.5L V6 F/I	33-2031-2 ♦	HP-1008 ¹
Rogue Select	2.5L L4 F/I	33-2409	HP-1008 ¹	Murano	3.5L V6 F/I	33-2031-2	HP-1008 ¹
Sentra	1.8L L4 F/I	33-2409 ♦	HP-1008 ¹	Navara	2.5L L4 DSL - OEM	33-2080+	
Titan	5.6L V8 F/I	33-2286 ♦♦	HP-1010 ¹	Navara	16500EB30B		
Versa	1.6L L4 F/I	33-2479	HP-1008 ¹	Navara	3.0L V6 DSL - OEM	33-2080+	
Versa Note	1.6L L4 F/I	33-2479	HP-1008 ¹	Navara	16500EB30B		
Xterra	4.0L V6 F/I	33-2286 ♦	HP-1010 ¹	Note	1.6L L4 F/I	33-2375	
2014 NISSAN				NV200	2.0L L4 F/I	33-2375	HP-1008 ¹
370Z	3.7L V6 F/I	33-2399* ♦	HP-1008 ¹	NV1500	4.0L V6 F/I	33-2286	
Altima	2.5L L4 F/I	33-2478 ♦	HP-1008 ¹	NV2500	4.0L V6 F/I	33-2286	
Altima	3.5L V6 F/I	33-2031-2 ♦	HP-1008 ¹	NV2500	5.6L V8 F/I	33-2286	HP-1010 ¹
Armada	5.6L V8 F/I	33-2286 ♦♦	HP-1010 ¹	NV3500	5.6L V8 F/I	33-2286	HP-1010 ¹
Cube	1.8L L4 F/I	33-2375	HP-1008 ¹	Pathfinder	2.5L L4 DSL - OEM	33-2080+	
Frontier	2.5L L4 F/I	33-2324+	HP-1008 ¹	Pathfinder	16546EB300		
Frontier	4.0L V6 F/I	33-2286 ♦♦	HP-1010 ¹	Pathfinder	3.0L V6 DSL - OEM	33-2080+	
GT-R	3.8L V6 F/I	33-2413	HP-1010 ¹	Pathfinder	16546EB300		
Juke	1.2L L4 F/I	33-2409		Pathfinder	3.5L V6 F/I	33-2031-2 ♦	HP-1008 ¹
Juke	1.5L L4 DSL	33-2927		Pixo	1.0L L3 F/I	33-2968	
Juke	1.6L L4 F/I	33-2409 ♦	HP-1008 ¹	Quest	3.5L V6 F/I	33-2031-2	HP-1008 ¹
March	1.6L L4 F/I		HP-1008 ¹	Rogue	2.5L L4 F/I	33-2409	HP-1008 ¹
Maxima	3.5L V6 F/I	33-2031-2 ♦	HP-1008 ¹	Sentra	1.8L L4 F/I	33-2409 ♦	HP-1008 ¹
Micra	1.2L L3 F/I - Exc. Turbo	33-2409		Titan	5.6L V8 F/I	33-2286 ♦♦	HP-1008 ¹
Micra	1.2L L3 F/I - Turbo	33-3027		Versa	1.6L L4 F/I	33-2479	HP-1008 ¹
Murano	3.5L V6 F/I	33-2031-2	HP-1008 ¹	Xterra	4.0L V6 F/I	33-2286 ♦♦	HP-1010 ¹
Navara	2.5L L4 DSL - OEM	33-2080+		X-Trail	2.0L L4 DSL	33-2944	
Navara	16546EB300			2012 NISSAN			
Navara	3.0L V6 DSL - OEM	33-2080+		370Z	3.7L V6 F/I	33-2399* ♦	HP-1008 ¹
Navara	16546EB300			Altima	2.5L L4 F/I	33-2374 ♦	HP-1008 ¹
Note	1.2L L3 F/I - Exc. Turbo	33-2409		Altima	3.5L V6 F/I	33-2031-2 ♦	HP-1008 ¹

* 2 filters required ♦ Intake System Available - see page 81 +Cabin Air Filter Available - see page 453 1- Pro Series Filter Available

AIR & OIL FILTERS

NISSAN

Vehicle	Engine Type	Air Filter	Oil Filter	Vehicle	Engine Type	Air Filter	Oil Filter
2012 NISSAN				2011 NISSAN			
Armada	5.6L V8 F/I	33-2286 ♦+	HP-1010 ¹	Pathfinder	5.6L V8 F/I	33-2286 ♦+	
Cube	1.6L L4 F/I	33-2375		Pixo	1.0L L3 F/I	33-2968	
Cube	1.8L L4 F/I	33-2375	HP-1008 ¹	Quest	3.5L V6 F/I	33-2031-2	HP-1008 ¹
Frontier	2.5L L4 F/I	33-2324+	HP-1008 ¹	Rogue	2.5L L4 F/I	33-2409	HP-1008 ¹
Frontier	4.0L V6 F/I	33-2286 ♦+	HP-1010 ¹	Sentra	1.8L L4 F/I		HP-1008 ¹
GT-R	3.8L V6 F/I	33-2413	HP-1008 ¹	Sentra	2.0L L4 F/I	33-2376	HP-1008 ¹
Juke	1.5L L4 DSL	33-2927		Sentra	2.5L L4 F/I	33-2409 ♦	HP-1008 ¹
Juke	1.6L L4 F/I	33-2409 ♦	HP-1008 ¹	Tiida	1.8L L4 F/I	33-2375	
March	1.6L L4 F/I		HP-1008 ¹	Titan	5.6L V8 F/I	33-2286 ♦+	HP-1010 ¹
Maxima	3.5L V6 F/I	33-2031-2 ♦	HP-1008 ¹	Versa	1.6L L4 F/I	33-2375	HP-1008 ¹
Micra	1.2L L3 F/I - Exc. Turbo	33-2409		Versa	1.8L L4 F/I	33-2375	HP-1008 ¹
Murano	3.5L V6 F/I	33-2031-2	HP-1008 ¹	Xterra	4.0L V6 F/I	33-2286 ♦+	HP-1010 ¹
Navara	2.5L L4 DSL - OEM 16546EB300	33-2080+		X-Trail	2.5L L4 F/I	33-2409	
Navara	3.0L V6 DSL - OEM 16546EB300	33-2080+		2010 NISSAN			
Note	1.4L L4 F/I	33-2060		370Z	3.7L V6 F/I	33-2399* ♦	HP-1008 ¹
Note	1.6L L4 F/I	33-2375		Altima	2.5L L4 F/I	33-2374 ♦	HP-1008 ¹
NV1500	4.0L V6 F/I	33-2286		Altima	3.5L V6 F/I	33-2031-2 ♦	HP-1008 ¹
NV2500	4.0L V6 F/I	33-2286		Altima Hybrid	2.5L L4 F/I	33-2374	HP-1010 ¹
NV2500	5.6L V8 F/I	33-2286	HP-1010 ¹	Armada	5.6L V8 F/I	33-2286 ♦+	HP-1010 ¹
NV3500	5.6L V8 F/I	33-2286		Cube	1.6L L4 F/I	33-2375	
Pathfinder	2.5L L4 DSL - OEM 16546EB300	33-2080+		Cube	1.8L L4 F/I	33-2375 ♦	HP-1008 ¹
Pathfinder	3.0L V6 DSL	33-2080+		Frontier	2.5L L4 F/I	33-2324+	HP-1008 ¹
Pathfinder	4.0L V6 F/I	33-2286 ♦+	HP-1010 ¹	Frontier	4.0L V6 F/I	33-2286 ♦+	HP-1010 ¹
Pathfinder	5.6L V8 F/I	33-2286 ♦+	HP-1010 ¹	GT-R	3.8L V6 F/I	33-2413	HP-1010 ¹
Pickup	2.5L L4 DSL		HP-2004 ¹	Juke	1.6L L4 F/I	33-2409	
Pixo	1.0L L3 F/I	33-2968		Maxima	3.5L V6 F/I	33-2031-2 ♦	HP-1008 ¹
Qashqai	1.6L L4 DSL	33-2944		Micra	1.2L L4 F/I	33-2060 ♦	
Qashqai	1.6L L4 F/I	33-2944		Micra	1.4L L4 F/I	33-2060	
Quest	3.5L V6 F/I	33-2031-2	HP-1008 ¹	Murano	3.5L V6 F/I	33-2031-2	HP-1008 ¹
Rogue	2.5L L4 F/I	33-2409	HP-1008 ¹	Navara	2.5L L4 DSL - OEM 16546EB300	33-2080+	
Sentra	1.8L L4 F/I		HP-1008 ¹	Navara	2.5L L4 DSL - OEM 16546EB70A	33-2980+	
Sentra	2.0L L4 F/I	33-2376	HP-1008 ¹	Note	1.2L L4 F/I	33-2060	
Sentra	2.5L L4 F/I	33-2409 ♦	HP-1008 ¹	Pathfinder	2.5L L4 DSL	33-2080+	
Titan	5.6L V8 F/I	33-2286 ♦+	HP-1008 ¹	Pathfinder	3.0L V6 DSL	33-2080+	
Versa	1.6L L4 F/I	33-2479	HP-1008 ¹	Pathfinder	4.0L V6 F/I	33-2286 ♦+	HP-1010 ¹
Versa	1.8L L4 F/I	33-2375	HP-1008 ¹	Pathfinder	5.6L V8 F/I	33-2286 ♦+	
Xterra	4.0L V6 F/I	33-2286 ♦+	HP-1010 ¹	Patrol II	3.0L L6 DSL	E-9267	
X-Trail	2.0L L4 DSL	33-2944		Rogue	2.5L L4 F/I	33-2409	HP-1008 ¹
2011 NISSAN				Sentra	1.8L L4 F/I		HP-1008 ¹
370Z	3.7L V6 F/I	33-2399* ♦	HP-1008 ¹	Sentra	2.0L L4 F/I	33-2376	HP-1008 ¹
Altima	2.5L L4 F/I	33-2374 ♦	HP-1008 ¹	Sentra	2.5L L4 F/I	33-2409 ♦	HP-1008 ¹
Altima	3.5L V6 F/I	33-2031-2 ♦	HP-1008 ¹	Tiida	1.6L L4 F/I	33-2375	
Armada	5.6L V8 F/I	33-2286 ♦+	HP-1010 ¹	Titan	5.6L V8 F/I	33-2286 ♦+	HP-1010 ¹
Cube	1.6L L4 F/I	33-2375		Versa	1.6L L4 F/I	33-2375	HP-1008 ¹
Cube	1.8L L4 F/I	33-2375	HP-1008 ¹	Versa	1.8L L4 F/I	33-2375	HP-1008 ¹
Frontier	2.5L L4 F/I	33-2324+	HP-1008 ¹	Xterra	4.0L V6 F/I	33-2286 ♦+	HP-1010 ¹
Frontier	4.0L V6 F/I	33-2286 ♦+	HP-1010 ¹	X-Trail	2.0L L4 DSL	33-2944	
GT-R	3.8L V6 F/I	33-2413	HP-1008 ¹	X-Trail	2.0L L4 F/I	33-2944	
Juke	1.5L L4 DSL	33-2927		2009 NISSAN			
Juke	1.6L L4 F/I	33-2409	HP-1008 ¹	350Z	3.5L V6 F/I	33-2399*	HP-1008 ¹
Livina	1.5L L4 F/I	33-2375		370Z	3.7L V6 F/I	33-2399* ♦	HP-1008 ¹
Maxima	3.5L V6 F/I	33-2031-2 ♦	HP-1008 ¹	Altima	2.5L L4 F/I	33-2374 ♦	HP-1008 ¹
Micra	1.2L L3 F/I - Exc. Turbo	33-2409		Altima	3.5L V6 F/I	33-2031-2 ♦	HP-1008 ¹
Murano	3.5L V6 F/I	33-2031-2	HP-1008 ¹	Altima Hybrid	2.5L L4 F/I	33-2374	HP-1010 ¹
Navara	2.5L L4 DSL - OEM 16546EB300	33-2080+		Armada	5.6L V8 F/I	33-2286 ♦+	HP-1010 ¹
Navara	2.5L L4 DSL - OEM 16546EB70A	33-2980+		Cube	1.8L L4 F/I	33-2375 ♦	HP-1008 ¹
Note	1.4L L4 F/I	33-2060		Frontier	2.5L L4 F/I	33-2324+	HP-1008 ¹
Pathfinder	2.5L L4 DSL - OEM 16546EB300	33-2080+		Frontier	4.0L V6 F/I	33-2286 ♦+	HP-1010 ¹
Pathfinder	3.0L V6 DSL	33-2080+		GT-R	3.8L V6 F/I	33-2413	HP-1010 ¹
Pathfinder	4.0L V6 F/I	33-2286 ♦+	HP-1010 ¹	Maxima	3.5L V6 F/I	33-2031-2 ♦	HP-1008 ¹
				Micra	1.2L L4 F/I	33-2060 ♦	
				Murano	3.5L V6 F/I	33-2031-2	HP-1008 ¹

* 2 filters required ♦ Intake System Available - see page 81 +Cabin Air Filter Available - see page 453 1- Pro Series Filter Available

NISSAN

AIR & OIL FILTERS

Vehicle	Engine Type	Air Filter	Oil Filter
2009 NISSAN			
Navara	2.5L L4 DSL - OEM 16546EB300	33-2080 ♦♦	
Navara	2.5L L4 DSL - OEM 16546EB70A	33-2980 ♦♦	
Pathfinder	4.0L V6 F/I	33-2286 ♦♦	HP-1010 ¹
Patrol II	3.0L L6 DSL	E-9267	
Quest	3.5L V6 F/I	33-2031-2	
Rogue	2.5L L4 F/I	33-2409	HP-1008 ¹
Sentra	1.8L L4 F/I		HP-1008 ¹
Sentra	2.0L L4 F/I	33-2376	HP-1008 ¹
Sentra	2.5L L4 F/I	33-2409 ♦	HP-1008 ¹
Titan	5.6L V8 F/I	33-2286 ♦♦	HP-1010 ¹
Versa	1.6L L4 F/I		HP-1008 ¹
Versa	1.8L L4 F/I	33-2375	HP-1008 ¹
Xterra	4.0L V6 F/I	33-2286 ♦♦	HP-1010 ¹

Vehicle	Engine Type	Air Filter	Oil Filter
2008 NISSAN			
350Z	3.5L V6 F/I	33-2399* ♦	HP-1008 ¹
Altima	2.5L L4 F/I	33-2374 ♦	HP-1008 ¹
Altima	3.5L V6 F/I	33-2031-2 ♦	HP-1008 ¹
Altima Hybrid	2.5L L4 F/I	33-2374	HP-1010 ¹
Armada	5.6L V8 F/I	33-2286 ♦♦	HP-1010 ¹
Frontier	2.5L L4 F/I	33-2324+	HP-1008 ¹
Frontier	4.0L V6 F/I	33-2286 ♦♦	HP-1010 ¹
Maxima	3.5L V6 F/I	33-2031-2 ♦♦	HP-1008 ¹
Micra	1.2L L4 F/I	33-2060 ♦	
Micra	1.4L L4 F/I	33-2060 ♦	
Murano	3.5L V6 F/I	33-2031-2	HP-1008 ¹
Navara	2.5L L4 DSL - OEM 16546EB300	33-2080 ♦♦	
Navara	2.5L L4 DSL - OEM 16546EB70A	33-2980 ♦♦	
Note	1.4L L4 F/I	33-2060	
Pathfinder	2.5L L4 DSL	33-2080+	
Pathfinder	4.0L V6 F/I	33-2286 ♦♦	HP-1010 ¹
Pathfinder	5.6L V8 F/I	33-2286 ♦♦	HP-1010 ¹
Patrol II	3.0L L6 DSL	E-9267	
Qashqai	2.0L L4 DSL	33-2944	
Qashqai	2.0L L4 F/I	33-2944	
Quest	3.5L V6 F/I	33-2031-2	HP-1008 ¹
Rogue	2.5L L4 F/I	33-2409	HP-1008 ¹
Sentra	1.8L L4 F/I		HP-1008 ¹
Sentra	2.0L L4 F/I	33-2376	HP-1008 ¹
Sentra	2.5L L4 F/I	33-2409 ♦	HP-1008 ¹
Titan	5.6L V8 F/I	33-2286 ♦♦	HP-1010 ¹
Versa	1.8L L4 F/I	33-2375	HP-1008 ¹
Xterra	4.0L V6 F/I	33-2286 ♦♦	HP-1010 ¹

Vehicle	Engine Type	Air Filter	Oil Filter
2007 NISSAN			
350Z	3.5L V6 F/I	33-2399* ♦	HP-1008 ¹
Altima	2.5L L4 F/I	33-2374 ♦	HP-1010 ¹
Altima	3.5L V6 F/I	33-2031-2 ♦	HP-1008 ¹
Altima Hybrid	2.5L L4 F/I	33-2374	HP-1010 ¹
Armada	5.6L V8 F/I	33-2286 ♦♦	HP-1010 ¹
Frontier	2.5L L4 F/I	33-2324+	HP-1008 ¹
Frontier	4.0L V6 F/I	33-2286 ♦♦	HP-1010 ¹
Maxima	3.5L V6 F/I	33-2031-2 ♦♦	HP-1008 ¹
Micra	1.4L L4 F/I	33-2060 ♦	
Murano	3.5L V6 F/I	33-2031-2+	HP-1008 ¹
Navara	2.5L L4 DSL - OEM 16546EB300	33-2080 ♦♦	
Navara	2.5L L4 DSL - OEM 16546EB70A	33-2980 ♦♦	
Pathfinder	2.5L L4 DSL	33-2080+	
Pathfinder	4.0L V6 F/I	33-2286 ♦♦	HP-1010 ¹
Patrol II	3.0L L6 DSL	E-9267	
Quest	3.5L V6 F/I	33-2031-2	HP-1008 ¹

Vehicle	Engine Type	Air Filter	Oil Filter
2007 NISSAN			
Sentra	1.8L L4 F/I		HP-1008 ¹
Sentra	2.0L L4 F/I	33-2376	HP-1008 ¹
Sentra	2.5L L4 F/I	33-2409 ♦	HP-1008 ¹
Titan	5.6L V8 F/I	33-2286 ♦♦	HP-1010 ¹
Versa	1.8L L4 F/I	33-2375	HP-1008 ¹
Xterra	4.0L V6 F/I	33-2286 ♦♦	HP-1010 ¹
X-Trail	2.5L L4 F/I	33-2409	

Vehicle	Engine Type	Air Filter	Oil Filter
2006 NISSAN			
350Z	3.5L V6 F/I	33-2031-2 ♦	HP-1008 ¹
Altima	2.5L L4 F/I	33-2031-2 ♦♦	HP-1010 ¹
Altima	3.5L V6 F/I	33-2031-2 ♦♦	HP-1008 ¹
Armada	5.6L V8 F/I	33-2286 ♦♦	HP-1010 ¹
Frontier	2.5L L4 F/I	33-2324+	HP-1008 ¹
Frontier	4.0L V6 F/I	33-2286 ♦♦	HP-1010 ¹
Maxima	3.5L V6 F/I	33-2031-2 ♦♦	HP-1008 ¹
Micra	1.2L L4 F/I	33-2060 ♦	
Micra	1.4L L4 F/I	33-2060 ♦	
Murano	3.5L V6 F/I	33-2031-2+	HP-1008 ¹
Navara	2.5L L4 DSL - OEM 16546EB300	33-2080 ♦♦	
Navara	2.5L L4 DSL - OEM 16546EB70A	33-2980 ♦♦	
Note	1.4L L4 F/I	33-2060	
Pathfinder	2.5L L4 DSL	33-2080+	
Pathfinder	4.0L V6 F/I	33-2286 ♦♦	HP-1010 ¹
Patrol II	3.0L L6 DSL	E-9267	
Quest	3.5L V6 F/I	33-2031-2	HP-1008 ¹
Sentra	1.8L L4 F/I	33-2031-2+	HP-1010 ¹
Sentra	2.5L L4 F/I	33-2031-2 ♦♦	HP-1010 ¹
Titan	5.6L V8 F/I	33-2286 ♦♦	HP-1010 ¹
Tsura	1.6L L4 F/I		HP-2008 ¹
Xterra	4.0L V6 F/I	33-2286 ♦♦	HP-1010 ¹
X-Trail	2.5L L4 F/I	33-2031-2	HP-1008 ¹

Vehicle	Engine Type	Air Filter	Oil Filter
2005 NISSAN			
350Z	3.5L V6 F/I	33-2031-2 ♦	HP-1008 ¹
Almera II	1.5L L4 DSL	33-2864	
Altima	2.5L L4 F/I	33-2031-2 ♦♦	HP-1010 ¹
Altima	3.5L V6 F/I	33-2031-2 ♦♦	HP-1008 ¹
Armada	5.6L V8 F/I	33-2286 ♦♦	HP-1010 ¹
Frontier	2.5L L4 DSL	E-2020	
Frontier	2.5L L4 F/I	33-2324+	HP-1008 ¹
Frontier	4.0L V6 F/I	33-2286 ♦♦	HP-1010 ¹
Maxima	3.0L V6 F/I	33-2031-2	
Maxima	3.5L V6 F/I	33-2031-2 ♦♦	HP-1008 ¹
Micra	1.0L L4 F/I	33-2060 ♦	
Micra	1.2L L4 F/I	33-2060 ♦	
Micra	1.4L L4 F/I	33-2060 ♦	
Murano	3.5L V6 F/I	33-2031-2+	HP-1008 ¹
Navara	2.5L L4 DSL - OEM 16546EB70A	33-2980 ♦♦	
Pathfinder	2.5L L4 DSL	33-2080+	
Pathfinder	4.0L V6 F/I	33-2286 ♦♦	HP-1010 ¹
Patrol	3.0L L6 DSL	E-9267	
Quest	3.5L V6 F/I	33-2031-2	HP-1008 ¹
Sentra	1.8L L4 F/I	33-2031-2+	HP-1010 ¹
Sentra	2.5L L4 F/I	33-2031-2 ♦♦	HP-1010 ¹
Titan	5.6L V8 F/I	33-2286 ♦♦	HP-1010 ¹
Xterra	4.0L V6 F/I	33-2286 ♦♦	HP-1010 ¹
X-Trail	2.5L L4 F/I	33-2031-2	HP-1008 ¹

Vehicle	Engine Type	Air Filter	Oil Filter
2004 NISSAN			
350Z	3.5L V6 F/I	33-2031-2 ♦	HP-1008 ¹
Almera II	1.5L L4 DSL	33-2864	
Altima	2.5L L4 F/I	33-2031-2 ♦♦	HP-1010 ¹
Altima	3.5L V6 F/I	33-2031-2 ♦♦	HP-1008 ¹

* 2 filters required ♦ Intake System Available - see page 81 +Cabin Air Filter Available - see page 453 1- Pro Series Filter Available

AIR & OIL FILTERS

NISSAN

Vehicle	Engine Type	Air Filter	Oil Filter
2004 NISSAN			
Frontier	2.4L L4 F/I	E-9233	HP-1010 ¹
Frontier	2.5L L4 DSL	E-2020	
Frontier	3.3L V6 F/I	33-2031-2 ♦	HP-1010 ¹
Maxima	3.0L V6 F/I	33-2031-2	
Maxima	3.5L V6 F/I	33-2031-2 ♦+	HP-1008 ¹
Micra	1.0L L4 F/I	33-2060 ♦	
Micra	1.2L L4 F/I	33-2060 ♦	
Micra	1.4L L4 F/I	33-2060 ♦	
Micra	1.5L L4 DSL	33-2927	
Murano	3.5L V6 F/I	33-2031-2+	HP-1008 ¹
Pathfinder	2.7L L6 DSL	33-2031-2	
Pathfinder	3.3L V6 F/I	33-2031-2	
Pathfinder	3.5L V6 F/I	33-2031-2 ♦	HP-1008 ¹
Pathfinder	5.6L V8 F/I	33-2286 ♦+	HP-1010 ¹
Patrol	3.0L L6 DSL	E-9267	
Patrol II	4.2L L6 DSL	E-9267	
Quest	3.5L V6 F/I	33-2031-2	HP-1008 ¹
Sentra	1.8L L4 F/I	33-2031-2+	HP-1010 ¹
Sentra	2.5L L4 F/I	33-2031-2 ♦+	HP-1010 ¹
Titan	5.6L V8 F/I	33-2286 ♦+	HP-1010 ¹
Xterra	2.4L L4 F/I	E-9233	HP-1010 ¹
Xterra	3.3L V6 F/I	33-2031-2 ♦	HP-1010 ¹

2003 NISSAN			
350Z	3.5L V6 F/I	33-2031-2 ♦	HP-1008 ¹
Altima	2.5L L4 F/I	33-2031-2 ♦+	HP-1010 ¹
Altima	3.5L V6 F/I	33-2031-2+	HP-1008 ¹
		33-2031-2	HP-1008 ¹
Frontier	2.4L L4 F/I	E-9233	HP-1010 ¹
Frontier	3.3L V6 F/I	33-2031-2 ♦	HP-1010 ¹
Maxima	2.0L V6 F/I	33-2031-2	
Maxima	3.0L V6 F/I	33-2031-2	
Maxima	3.5L V6 F/I	33-2031-2	HP-1008 ¹
Micra	1.2L L4 F/I	33-2060 ♦	
Murano	3.5L V6 F/I	33-2031-2+	HP-1008 ¹
Pathfinder	2.7L L6 DSL	33-2031-2	
Pathfinder	3.3L V6 F/I	33-2031-2	
Pathfinder	3.5L V6 F/I	33-2031-2 ♦	HP-1008 ¹
Patrol	3.0L L6 DSL	E-9267	
Pickup	2.4L L4 F/I		HP-2008 ¹
Sentra	1.8L L4 F/I	33-2031-2+	HP-1008 ¹
Sentra	2.5L L4 F/I	33-2031-2 ♦+	HP-1010 ¹
Xterra	2.4L L4 F/I	E-9233	HP-1010 ¹
Xterra	3.3L V6 F/I	33-2031-2 ♦	HP-1010 ¹

2002 NISSAN			
Almera II	1.5L L4 DSL	33-2864	
Altima	2.5L L4 F/I	33-2031-2 ♦+	HP-1010 ¹
Altima	3.5L V6 F/I	33-2031-2+	HP-1008 ¹
Frontier	2.4L L4 F/I	E-9233	HP-1010 ¹
Frontier	3.3L V6 F/I	33-2031-2 ♦	HP-1010 ¹
Maxima	2.0L V6 F/I	33-2031-2	
Maxima	3.0L V6 F/I	33-2031-2	
Maxima	3.5L V6 F/I	33-2031-2	HP-1008 ¹
Micra	1.0L L4 F/I	33-2060 ♦	
Micra	1.4L L4 F/I	33-2060 ♦	
Pathfinder	3.3L V6 F/I	33-2031-2	
Pathfinder	3.5L V6 F/I	33-2031-2 ♦	HP-1008 ¹
Patrol	3.0L L6 DSL	E-9267	
Patrol	4.5L L6 F/I	E-9266	
Pickup	2.4L L4 F/I		HP-2008 ¹
Quest	3.3L V6 F/I	33-2091-1	HP-1010 ¹
Sentra	1.8L L4 F/I	33-2031-2+	HP-1008 ¹
Sentra	2.5L L4 F/I	33-2031-2 ♦+	HP-1010 ¹
Xterra	2.4L L4 F/I	E-9233	HP-1010 ¹

Vehicle	Engine Type	Air Filter	Oil Filter
2002 NISSAN			
Xterra	3.3L V6 F/I	33-2031-2 ♦	HP-1010 ¹
2001 NISSAN			
Altima	2.4L L4 F/I	33-2031-2	HP-1010 ¹
Frontier	2.4L L4 F/I	E-9233	HP-1010 ¹
Frontier	3.3L V6 F/I	33-2031-2 ♦	HP-1010 ¹
Maxima	2.0L V6 F/I	33-2031-2	
Maxima	3.0L V6 F/I	33-2031-2	HP-1010 ¹
Micra	1.0L L4 F/I	33-2060 ♦	
Pathfinder	2.7L L6 DSL	33-2031-2	
Pathfinder	3.3L V6 F/I	33-2031-2	
Pathfinder	3.5L V6 F/I	33-2031-2 ♦	HP-1010 ¹
Patrol	3.0L L6 DSL	E-9267	
Pickup	2.4L L4 F/I		HP-2008 ¹
Primera	2.0L L4 DSL	33-2031-2	
Primera	2.0L L4 F/I	33-2031-2	
Quest	3.3L V6 F/I	33-2091-1	HP-1010 ¹
Sentra	1.8L L4 F/I	33-2031-2+	HP-1008 ¹
Sentra	2.0L L4 F/I	33-2031-2+	HP-1008 ¹
Xterra	2.4L L4 F/I	E-9233	HP-1010 ¹
Xterra	3.3L V6 F/I	33-2031-2 ♦	HP-1010 ¹

2000 NISSAN			
Almera II	1.5L L4 F/I	33-2031-2 ♦	
Altima	2.4L L4 F/I	33-2031-2	HP-1010 ¹
D22 Pickup	2.5L L4 DSL - Turbo	E-9251	
Frontier	2.4L L4 F/I	E-9233	HP-1010 ¹
Frontier	3.3L V6 F/I	33-2031-2 ♦	HP-1010 ¹
Maxima	2.0L V6 F/I	33-2031-2	
Maxima	3.0L V6 F/I	33-2031-2	HP-1010 ¹
Micra	1.0L L4 F/I	33-2060 ♦	
Micra	1.3L L4 F/I	33-2060 ♦	
Pathfinder	3.3L V6 F/I	33-2031-2	HP-1010 ¹
Pathfinder	3.5L V6 F/I	33-2031-2	
Patrol	3.0L L6 DSL	E-9267	
Patrol II	2.8L V6 DSL	E-9267	
Pickup	2.4L L4 F/I		HP-2008 ¹
Quest	3.3L V6 F/I	33-2091-1	HP-1010 ¹
Sentra	1.6L L4 F/I		HP-2008 ¹
Sentra	1.8L L4 F/I	33-2031-2+	HP-1008 ¹
Sentra	2.0L L4 F/I	33-2031-2+	HP-1008 ¹
Xterra	2.4L L4 F/I	E-9233	HP-1010 ¹
Xterra	3.3L V6 F/I	33-2031-2 ♦	HP-1010 ¹

1999 NISSAN			
200SX	2.0L L4 F/I	33-2031-2 ♦	
Altima	2.4L L4 F/I	33-2031-2	HP-1010 ¹
Frontier	2.4L L4 F/I	E-9233	HP-1010 ¹
Frontier	3.3L V6 F/I	33-2031-2 ♦	HP-1010 ¹
Maxima	2.0L V6 F/I	33-2031-2	
Maxima	3.0L V6 F/I	33-2031-2	HP-1010 ¹
Micra	1.0L L4 F/I	33-2060 ♦	
Pathfinder	2.7L L6 DSL	33-2031-2	
Pathfinder	3.3L V6 F/I	33-2031-2	HP-1010 ¹
Patrol	4.5L L6 F/I	E-9266	
Patrol II	2.8L V6 DSL	E-9267	
Pickup	2.4L L4 F/I	E-9233	HP-2008 ¹
Quest	3.3L V6 F/I	33-2091-1	HP-1010 ¹
Sentra	1.6L L4 F/I	33-2031-2	HP-2008 ¹
Sentra	2.0L L4 F/I	33-2031-2	HP-1008 ¹

1998 NISSAN			
200SX	1.6L L4 F/I	33-2031-2	HP-2008 ¹
200SX	2.0L L4 F/I	33-2031-2 ♦	HP-1008 ¹
240SX	2.4L L4 F/I	33-2031-2 ♦	HP-2008 ¹
Altima	2.4L L4 F/I	33-2031-2	HP-1010 ¹

* 2 filters required ♦ Intake System Available - see page 81 +Cabin Air Filter Available - see page 453 1- Pro Series Filter Available

NISSAN

AIR & OIL FILTERS

Vehicle	Engine Type	Air Filter	Oil Filter
1998 NISSAN			
Frontier	2.4L L4 F/I	E-9233	HP-1010 ¹
Maxima	2.0L V6 F/I	33-2031-2	
Maxima	3.0L V6 F/I	33-2031-2	HP-1010 ¹
Micra	1.3L L4 F/I	33-2060 ♦	
Pathfinder	2.7L L6 DSL	33-2031-2	
Pathfinder	3.3L V6 F/I	33-2031-2	HP-1010 ¹
Patrol II	2.8L V6 DSL	E-9267	
Pickup	2.4L L4 F/I	E-9233	HP-2008 ¹
Primera	2.0L L4 DSL	33-2031-2	
Primera	2.0L L4 F/I	33-2031-2 ♦	
Quest	3.0L V6 F/I	33-2091-1	HP-2008 ¹
Sentra	1.6L L4 F/I	33-2031-2	HP-2008 ¹
Sentra	2.0L L4 F/I	33-2031-2	HP-1008 ¹

Vehicle	Engine Type	Air Filter	Oil Filter
1997 NISSAN			
200SX	1.6L L4 F/I	33-2031-2	HP-2008 ¹
200SX	2.0L L4 F/I	33-2031-2 ♦	HP-1008 ¹
240SX	2.4L L4 F/I	33-2031-2 ♦	HP-2008 ¹
Altima	2.4L L4 F/I	33-2031-2	HP-2008 ¹
D21 Pickup	2.4L L4 F/I	E-9233	
Maxima	2.0L V6 F/I	33-2031-2	
Maxima	3.0L V6 F/I	33-2031-2	HP-1010 ¹
Pathfinder	2.7L L6 DSL	33-2031-2	
Pathfinder	3.3L V6 F/I	33-2031-2	HP-1010 ¹
Patrol	4.2L L6 F/I	33-2031-2	
Patrol II	2.8L V6 DSL	E-9267	
Pickup	2.4L L4 F/I	E-9233	HP-2008 ¹
Quest	3.0L V6 F/I	33-2091-1	HP-2008 ¹
Sentra	1.6L L4 F/I	33-2031-2	HP-2008 ¹
Sentra	2.0L L4 F/I		HP-1008 ¹
Skyline	2.6L - GTR, 24v, Twin Turbo	33-2031-2	

Vehicle	Engine Type	Air Filter	Oil Filter
1996 NISSAN			
200SX	1.6L L4 F/I	33-2031-2	HP-2008 ¹
200SX	2.0L L4 F/I	33-2031-2 ♦	HP-1008 ¹
240SX	2.4L L4 F/I	33-2031-2 ♦	HP-2008 ¹
300ZX	3.0L V6 F/I	33-2036* ♦	HP-2008 ¹
Altima	2.4L L4 F/I	33-2031-2	HP-2008 ¹
D21 Pickup	2.4L L4 F/I - 101BHP	E-2813	
D21 Pickup	2.4L L4 F/I - 124BHP	E-9233	
Maxima	2.0L V6 F/I	33-2031-2	
Maxima	3.0L V6 F/I	33-2031-2	HP-1010 ¹
Micra	1.0L L4 F/I	33-2060 ♦	
Micra	1.3L L4 F/I	33-2060 ♦	
Pathfinder	3.3L V6 F/I	33-2031-2	HP-1010 ¹
Pickup	2.4L L4 F/I	E-9233	HP-2008 ¹
Pickup	3.0L V6 F/I	33-2031-2	HP-2008 ¹
Quest	3.0L V6 F/I	33-2091-1	HP-2008 ¹
Safari/Patrol	4.2L L6 DSL - To 7/96	E-9201	
Sentra	1.6L L4 F/I	33-2031-2	HP-2008 ¹
Sentra	2.0L L4 F/I		HP-1008 ¹

Vehicle	Engine Type	Air Filter	Oil Filter
1995 NISSAN			
200SX	1.6L L4 F/I	33-2031-2	HP-2008 ¹
200SX	2.0L L4 F/I	33-2031-2	HP-1008 ¹
240SX	2.4L L4 F/I	33-2031-2 ♦	HP-2008 ¹
300ZX	3.0L V6 F/I	33-2036* ♦	HP-2008 ¹
Altima	2.4L L4 F/I	33-2031-2	HP-2008 ¹
D21 Pickup	2.4L L4 F/I - 101BHP	E-2813	
D21 Pickup	2.4L L4 F/I - 124BHP	E-9233	
D21 Pickup	2.5L L4 DSL	E-2760	
Maxima	2.0L V6 F/I	33-2031-2	
Maxima	3.0L V6 F/I	33-2031-2	HP-1010 ¹
Micra	1.0L L4 F/I	33-2060 ♦	
Micra	1.3L L4 F/I	33-2060 ♦	

Vehicle	Engine Type	Air Filter	Oil Filter
1995 NISSAN			
Pathfinder	3.0L V6 F/I	33-2031-2	HP-2008 ¹
Pickup	2.4L L4 F/I	E-9233	HP-2008 ¹
Pickup	3.0L V6 F/I	33-2031-2	HP-2008 ¹
Quest	3.0L V6 F/I		HP-2008 ¹
Sentra	1.6L L4 F/I	33-2031-2	HP-2008 ¹

Vehicle	Engine Type	Air Filter	Oil Filter
1994 NISSAN			
200SX	1.8L L4 F/I	33-2031-2 ♦	
200SX	2.0L L4 F/I	33-2031-2	
240SX	2.4L L4 F/I	33-2031-2 ♦	HP-2008 ¹
300ZX	3.0L V6 F/I	33-2036* ♦	HP-2008 ¹
Altima	2.4L L4 F/I	33-2031-2	HP-2008 ¹
D21 Pickup	2.4L L4 F/I		HP-2008 ¹
D21 Pickup	2.4L L4 F/I - Non-US, 101BHP	E-2813	HP-2008
D21 Pickup	2.4L L4 F/I - Non-US, 124BHP	E-9233	HP-2008
D21 Pickup	2.4L L4 F/I - US	E-9233	HP-2008
D21 Pickup	2.5L L4 DSL	E-2760	
D21 Pickup	3.0L V6 F/I	33-2031-2	HP-2008 ¹
Maxima	3.0L V6 F/I	33-2031-2	HP-2008 ¹
Pathfinder	3.0L V6 F/I	33-2031-2	HP-2008 ¹
Pickup	1.8L L4 F/I		HP-2009 ¹
Sentra	1.6L L4 F/I	33-2031-2	HP-2008 ¹
Sentra	2.0L L4 F/I	33-2031-2 ♦	HP-1003 ¹

Vehicle	Engine Type	Air Filter	Oil Filter
1993 NISSAN			
240SX	2.4L L4 F/I	33-2031-2 ♦	HP-2008 ¹
300ZX	3.0L V6 F/I	33-2036* ♦	HP-2008 ¹
Altima	2.4L L4 F/I	33-2031-2	HP-2008 ¹
D21 Pickup	2.4L L4 F/I		HP-2008 ¹
D21 Pickup	2.4L L4 F/I - Non-US, 101BHP	E-2813	HP-2008
D21 Pickup	2.4L L4 F/I - Non-US, 124BHP	E-9233	HP-2008
D21 Pickup	2.4L L4 F/I - US	E-9233	HP-2008
D21 Pickup	3.0L V6 F/I	33-2031-2	HP-2008 ¹
Maxima	3.0L V6 F/I	33-2031-2	HP-2008 ¹
Micra	1.0L L4 F/I	33-2060 ♦	
Pathfinder	3.0L V6 F/I	33-2031-2	HP-2008 ¹
Pickup	2.4L L4 F/I		HP-2008 ¹
Primera	2.0L L4 DSL	33-2031-2	
Primera	2.0L L4 F/I	33-2031-2 ♦	
Sentra	1.6L L4 F/I	33-2031-2	HP-2008 ¹
Sentra	2.0L L4 F/I	33-2031-2 ♦	HP-1003 ¹
Silvia	2.0L L4 F/I	33-2031-2	
Skyline	2.0L L6 F/I	33-2031-2	
Skyline	2.5L V6 - 24v, Turbo	33-2031-2	
Terrano I	2.7L L4 DSL	E-9136	

Vehicle	Engine Type	Air Filter	Oil Filter
1992 NISSAN			
240SX	2.4L L4 F/I	33-2031-2 ♦	HP-2008 ¹
300ZX	3.0L V6 F/I	33-2036* ♦	HP-2008 ¹
D21 Pickup	2.4L L4 F/I		HP-2008 ¹
D21 Pickup	2.4L L4 F/I - Non-US, 101BHP	E-2813	HP-2008
D21 Pickup	2.4L L4 F/I - Non-US, 124BHP	E-9233	HP-2008
D21 Pickup	2.4L L4 F/I - US	E-9233	HP-2008
D21 Pickup	2.5L L4 DSL	E-2760	
D21 Pickup	3.0L V6 F/I	33-2031-2	HP-2008 ¹
Maxima	3.0L V6 F/I	33-2031-2	HP-2008 ¹
Pathfinder	3.0L V6 F/I	33-2031-2	HP-2008 ¹
Pickup	2.4L L4 F/I		HP-2008 ¹
Safari/Patrol	4.2L L6 DSL	E-9201	
Sentra	1.6L L4 F/I	33-2031-2	HP-2008 ¹
Sentra	2.0L L4 F/I	33-2031-2 ♦	HP-1003 ¹
Stanza	2.4L L4 F/I	33-2031-2	HP-2008 ¹

* 2 filters required ♦ Intake System Available - see page 81 +Cabin Air Filter Available - see page 453 1- Pro Series Filter Available

AIR & OIL FILTERS

NISSAN

Vehicle	Engine Type	Air Filter	Oil Filter
1991 NISSAN			
200SX	1.8L L4 F/I	33-2031-2 ♦	
240SX	2.4L L4 F/I	33-2031-2 ♦	HP-2008 ¹
300ZX	3.0L V6 F/I	33-2036 ♦	HP-2008 ¹
Bluebird	1.6L L4 F/I	E-2983	
D21 Pickup	2.4L L4 F/I		HP-2008 ¹
D21 Pickup	2.4L L4 F/I - Non-US	E-2813	HP-2008
D21 Pickup	2.4L L4 F/I - US	E-9233	HP-2008
D21 Pickup	3.0L V6 F/I	33-2031-2	HP-2008 ¹
Maxima	3.0L V6 F/I	33-2031-2	HP-2008 ¹
NX	2.0L L4 F/I	33-2031-2	
Pathfinder	3.0L V6 F/I	33-2031-2	HP-2008 ¹
Pickup	2.4L L4 F/I		HP-2008 ¹
Safari/Patrol	4.2L L6 DSL	E-9201	
Sentra	1.6L L4 F/I	33-2031-2	HP-2008 ¹
Sentra	2.0L L4 F/I	33-2031-2 ♦	HP-1003 ¹
Stanza	2.4L L4 F/I		HP-2008 ¹

Vehicle	Engine Type	Air Filter	Oil Filter
1990 NISSAN			
200SX	1.8L L4 F/I	33-2031-2 ♦	
240SX	2.4L L4 F/I	33-2031-2 ♦	HP-2008 ¹
300ZX	3.0L V6 F/I - Non-US, VG30 Eng.	33-2031-2	
300ZX	3.0L V6 F/I - US	33-2036 ♦	HP-2008 ¹
Bluebird	1.8L L4 F/I - Exc., Turbo	E-2983	
D21 Pickup	2.4L L4 F/I		HP-2008 ¹
D21 Pickup	2.4L L4 F/I - Non-US	E-2813	HP-2008
D21 Pickup	2.4L L4 F/I - US	E-9233	HP-2008
D21 Pickup	3.0L V6 F/I		HP-2008 ¹
D21 Pickup	3.0L V6 F/I - w/Panel Filter	33-2031-2	HP-2008
D21 Pickup	3.0L V6 F/I - w/Round Filter	E-2830	HP-2008
Maxima	3.0L V6 F/I	33-2031-2	HP-2008 ¹
Pathfinder	3.0L V6 F/I		HP-2008 ¹
Pathfinder	3.0L V6 F/I - w/Panel Filter	33-2031-2	HP-2008
Pathfinder	3.0L V6 F/I - w/Round Filter	E-2830	HP-2008
Safari/Patrol	4.2L L6 DSL	E-9201	
Sentra	1.6L L4 F/I		HP-2008 ¹
Stanza	2.4L L4 F/I	33-2031-2	HP-2008 ¹

Vehicle	Engine Type	Air Filter	Oil Filter
1989 NISSAN			
240SX	2.4L L4 F/I	33-2031-2 ♦	HP-2008 ¹
300ZX	3.0L V6 F/I	33-2031-2 ♦	HP-2008 ¹
D21 Pickup	2.4L L4 F/I	E-2813	HP-3001 ¹
D21 Pickup	3.0L V6 F/I	E-2830	HP-2008 ¹
Maxima	3.0L V6 F/I	33-2031-2	HP-2008 ¹
Pathfinder	3.0L V6 F/I	E-2830	HP-2008 ¹
Pulsar NX	1.6L L4 F/I		HP-2008 ¹
Sentra	1.6L L4 F/I		HP-2008 ¹

Vehicle	Engine Type	Air Filter	Oil Filter
1988 NISSAN			
200SX	2.0L L4 F/I		HP-2008 ¹
200SX	3.0L V6 F/I		HP-2008 ¹
300ZX	3.0L V6 F/I	33-2031-2 ♦	HP-2008 ¹
D21 Pickup	2.4L L4 F/I	E-2813	HP-3001 ¹
D21 Pickup	3.0L V6 F/I	E-2830	HP-2008 ¹
Maxima	3.0L V6 F/I		HP-2008 ¹
Pathfinder	3.0L V6 F/I	E-2830	HP-2008 ¹
Pulsar NX	1.6L L4 F/I	E-2630	HP-2008 ¹
Pulsar NX	1.8L L4 F/I	33-2031-2	HP-2008 ¹
Sentra	1.6L L4 CARB		HP-2008 ¹
Sentra	1.6L L4 F/I	E-2630	HP-2008 ¹

Vehicle	Engine Type	Air Filter	Oil Filter
1987 NISSAN			
200SX	3.0L V6 F/I		HP-2008 ¹

Vehicle	Engine Type	Air Filter	Oil Filter
1987 NISSAN			
300ZX	3.0L V6 F/I		HP-2008 ¹
300ZX	3.0L V6 F/I - Exc. Turbo	33-2031-2 ♦	HP-2008
300ZX	3.0L V6 F/I - Turbo	33-2010 ♦	HP-2008
D21 Pickup	2.4L L4 F/I	E-2813	HP-3001 ¹
D21 Pickup	3.0L V6 F/I	E-2830	HP-2008 ¹
Maxima	3.0L V6 F/I	33-2010	HP-2008 ¹
Pathfinder	3.0L V6 F/I	E-2830	HP-2008 ¹
Pulsar NX	1.6L L4 F/I		HP-2008 ¹

Vehicle	Engine Type	Air Filter	Oil Filter
1986 NISSAN			
200SX	2.0L L4 F/I		HP-2008 ¹
300ZX	3.0L V6 F/I	33-2010 ♦	HP-2008 ¹
720	2.4L L4 F/I	E-2813	HP-3001 ¹
D21 Pickup	2.4L L4 F/I	E-2813	HP-3001 ¹
D21 Pickup	3.0L V6 F/I	E-2830	HP-2008 ¹
Pickup	1.8L L4 CARB		HP-2009 ¹

Vehicle	Engine Type	Air Filter	Oil Filter
1985 NISSAN			
300ZX	3.0L V6 F/I	33-2010 ♦	HP-2008 ¹
720	2.4L L4 CARB	E-2760	HP-3001 ¹

Vehicle	Engine Type	Air Filter	Oil Filter
1984 NISSAN			
280ZX	2.8L L6 F/I	E-2990	
300ZX	3.0L V6 F/I	33-2010 ♦	HP-2008 ¹
720	2.4L L4 CARB	E-2760	HP-3001 ¹

Vehicle	Engine Type	Air Filter	Oil Filter
1983 NISSAN			
280ZX	2.8L L6 F/I	E-2990	HP-2004 ¹
Patrol	3.3L L6 DSL	E-3720	

Vehicle	Engine Type	Air Filter	Oil Filter
1982 NISSAN			
280ZX	2.8L L6 F/I	E-2990	HP-2004 ¹
720	2.2L L4 DSL	E-2210	

Vehicle	Engine Type	Air Filter	Oil Filter
1981 NISSAN			
280ZX	2.8L L6 F/I	E-2990	HP-2004 ¹
720	2.2L L4 DSL	E-2210	
Patrol	3.3L L6 DSL	E-3720	

Vehicle	Engine Type	Air Filter	Oil Filter
1980 NISSAN			
280ZX	2.8L L6 F/I	E-2880	HP-2004 ¹
Patrol	3.3L L6 DSL	E-3720	

Vehicle	Engine Type	Air Filter	Oil Filter
1979 NISSAN			
280ZX	2.8L L6 F/I	E-2880	HP-3001 ¹

Vehicle	Engine Type	Air Filter	Oil Filter
1978 NISSAN			
280Z	2.8L L6 F/I	33-2010	HP-3001 ¹
280ZX	2.8L L6 F/I	E-2880	HP-3001 ¹

Vehicle	Engine Type	Air Filter	Oil Filter
1977 NISSAN			
280Z	2.8L L6 F/I	33-2010	HP-3001 ¹

Vehicle	Engine Type	Air Filter	Oil Filter
1976 NISSAN			
280Z	2.8L L6 F/I	33-2010	HP-3001 ¹

Vehicle	Engine Type	Air Filter	Oil Filter
1975 NISSAN			
280Z	2.8L L6 F/I	33-2010	HP-3001 ¹

Vehicle	Engine Type	Air Filter	Oil Filter
1974 NISSAN			
240Z	146 L6 CARB	E-2910	
260Z	156 L6 CARB	E-2900	HP-3001 ¹
260Z	157 L6 CARB	E-2900	HP-3001 ¹
Sunny	1.2L CARB - B310 Eng., A12	E-1050	

Vehicle	Engine Type	Air Filter	Oil Filter
1973 NISSAN			
240Z	146 L6 CARB	E-2900	HP-3001 ¹

Vehicle	Engine Type	Air Filter	Oil Filter
1972 NISSAN			
240Z	146 L6 CARB	E-2910	HP-3001 ¹
510	97 L4 CARB	E-2760	

* 2 filters required ♦ Intake System Available - see page 81 +Cabin Air Filter Available - see page 453 1- Pro Series Filter Available

NISSAN

AIR & OIL FILTERS

Vehicle	Engine Type	Air Filter	Oil Filter
1971 NISSAN			
240Z	146 L6 CARB	E-2910	HP-3001 ¹
1970 NISSAN			
240Z	146 L6 CARB	E-2910	HP-3001 ¹
1968 NISSAN			
1600	1.6L L4 CARB		HP-2005 ¹
2004 OLDSMOBILE			
Alero	2.2L L4 F/I	33-2121-1	PS-7000
Alero	3.4L V6 F/I	33-2121-1	HP-1001 ¹
Bravada	4.2L L6 F/I	E-1009 ♦	HP-2006 ¹
2003 OLDSMOBILE			
Alero	2.2L L4 F/I		PS-7000
Alero	3.4L V6 F/I	33-2121-1	HP-1001 ¹
Aurora	4.0L V8 F/I	33-2063-1+	HP-2006 ¹
Bravada	4.2L L6 F/I	E-1009 ♦	HP-2006 ¹
2002 OLDSMOBILE			
Alero	2.2L L4 F/I		PS-7000
Alero	3.4L V6 F/I	33-2121-1	HP-1001 ¹
Aurora	3.5L V6 F/I	33-2063-1+	
Aurora	4.0L V8 F/I	33-2063-1+	HP-2006 ¹
Bravada	4.2L L6 F/I	E-1009 ♦	HP-2006 ¹
Intrigue	3.5L V6 F/I		PS-7003
Silhouette	3.4L V6 F/I	33-2156+	
2001 OLDSMOBILE			
Alero	2.4L L4 F/I	33-2121-1	HP-1007 ¹
Alero	3.4L V6 F/I	33-2121-1	HP-1001 ¹
Aurora	3.5L V6 F/I	33-2063-1+	PS-7003
Aurora	4.0L V8 F/I	33-2063-1+	HP-2006 ¹
Bravada	4.3L V6 F/I	33-2042	HP-2001 ¹
Intrigue	3.5L V6 F/I		PS-7003
2000 OLDSMOBILE			
Alero	2.4L L4 F/I	33-2121-1	HP-1007 ¹
Alero	3.4L V6 F/I	33-2121-1	HP-1001 ¹
Bravada	4.3L V6 F/I	33-2042	HP-2001 ¹
Intrigue	3.5L V6 F/I		PS-7003
Silhouette	3.4L V6 F/I	33-2156	
1999 OLDSMOBILE			
88	3.8L V6 F/I	33-2086	HP-1001 ¹
Alero	2.4L L4 F/I	33-2121-1	HP-1007 ¹
Alero	3.4L V6 F/I	33-2121-1	HP-1001 ¹
Aurora	4.0L V8 F/I	33-2086	HP-2006 ¹
Bravada	4.3L V6 F/I	33-2042	HP-2001 ¹
Cutlass	3.1L V6 F/I	33-2121-1	HP-1001 ¹
Intrigue	3.5L V6 F/I		PS-7003
Intrigue	3.8L V6 F/I	33-2063-1+	HP-1001 ¹
1998 OLDSMOBILE			
88	3.8L V6 F/I	33-2086	HP-1001 ¹
Aurora	4.0L V8 F/I	33-2086	HP-2006 ¹
Bravada	4.3L V6 F/I	33-2042	HP-2001 ¹
Cutlass	3.1L V6 F/I	33-2121-1	HP-1001 ¹
Intrigue	3.8L V6 F/I	33-2063-1+	HP-1001 ¹
1997 OLDSMOBILE			
88	3.8L V6 F/I	33-2086	HP-1001 ¹
Achieva	3.1L V6 F/I	33-2068	HP-1001 ¹
Aurora	4.0L V8 F/I	33-2086	HP-2006 ¹
Bravada	4.3L V6 F/I	33-2042	HP-2001 ¹
Cutlass Supreme	3.1L V6 F/I	33-2063-1	HP-1001 ¹
1996 OLDSMOBILE			
88	3.8L V6 F/I	33-2086	HP-1001 ¹
Cutlass Ciera	3.1L V6 F/I	E-0890	HP-1001 ¹

Vehicle	Engine Type	Air Filter	Oil Filter
1996 OLDSMOBILE			
Cutlass Supreme	3.1L V6 F/I	33-2063-1	HP-1001 ¹
1995 OLDSMOBILE			
88	3.8L V6 F/I	33-2086	HP-1001 ¹
Cutlass Ciera	3.1L V6 F/I	E-0890	HP-1001 ¹
Cutlass Supreme	3.1L V6 F/I	33-2063-1	HP-1001 ¹
Cutlass Supreme	3.4L V6 F/I	33-2063-1	HP-2001 ¹
1994 OLDSMOBILE			
88	3.8L V6 F/I		HP-1001 ¹
Cutlass Ciera	3.1L V6 F/I	E-0890	HP-1001 ¹
Cutlass Supreme	3.1L V6 F/I	33-2063-1	HP-1001 ¹
Cutlass Supreme	3.4L V6 F/I	33-2063-1	HP-2001 ¹
Ninety-Eight	3.8L V6 F/I		HP-1001 ¹
1993 OLDSMOBILE			
Cutlass Ciera	3.3L V6 F/I	33-2022	HP-1001 ¹
Cutlass Supreme	3.1L V6 F/I - VIN M	E-0890	HP-1001 ¹
Cutlass Supreme	3.1L V6 F/I - VIN T	33-2038	HP-2001 ¹
1992 OLDSMOBILE			
Cutlass Ciera	3.3L V6 F/I	33-2022	HP-1001 ¹
1991 OLDSMOBILE			
Ninety-Eight	3.8L V6 F/I		HP-1001 ¹
1990 OLDSMOBILE			
Cutlass Ciera	3.3L V6 F/I	33-2022	
Cutlass Supreme	3.1L V6 F/I	33-2038	
1989 OLDSMOBILE			
Cutlass Ciera	3.3L V6 F/I	33-2022	
Delta 88	3.8L V6 F/I	33-2022	HP-1001 ¹
Ninety-Eight	3.8L V6 F/I	33-2022	HP-1001 ¹
1988 OLDSMOBILE			
Cutlass Supreme	5.0L V8 CARB	E-1500	HP-2006 ¹
1987 OLDSMOBILE			
Cutlass	5.0L V8 CARB	E-1500	HP-2006 ¹
1986 OLDSMOBILE			
Cutlass Supreme	5.0L V8 CARB	E-1500	HP-2006 ¹
1985 OLDSMOBILE			
Cutlass Supreme	3.8L V6 CARB	E-1150	HP-1001 ¹
Cutlass Supreme	5.0L V8 CARB	E-1500	HP-2006 ¹
Cutlass Supreme	5.7L V8 DSL	E-1690	HP-2006 ¹
Ninety-Eight	3.0L V6 CARB	E-1447	
1984 OLDSMOBILE			
Cutlass Supreme	5.0L V8 CARB	E-1500	HP-2006 ¹
Cutlass Supreme	5.7L V8 DSL	E-1690	
1983 OLDSMOBILE			
Cutlass Supreme	5.0L V8 CARB	E-1500	HP-2006 ¹
1981 OLDSMOBILE			
Cutlass Supreme	3.8L V6 CARB		HP-1001 ¹
1980 OLDSMOBILE			
Cutlass Supreme	350 V8 DSL	E-1690	HP-2006 ¹
1979 OLDSMOBILE			
Custom Cruiser	350 V8 CARB	E-1650	
Cutlass Supreme	350 V8 CARB	E-1500	HP-2002 ¹
1977 OLDSMOBILE			
Custom Cruiser	350 V8 CARB - VIN R	E-1650	
Cutlass	350 V8 CARB	E-1650	HP-2003 ¹
Delta 88	350 V8 CARB		HP-2003 ¹
Delta 88	350 V8 CARB - VIN G	E-1500	HP-2003
Delta 88	350 V8 CARB - VIN L	E-1500	HP-2003

* 2 filters required ♦ Intake System Available - see page 81 +Cabin Air Filter Available - see page 453 1- Pro Series Filter Available

AIR & OIL FILTERS

OLDSMOBILE

Vehicle	Engine Type	Air Filter	Oil Filter
1977 OLDSMOBILE			
Delta 88	350 V8 CARB - VIN R	E-1650	HP-2003
Omega	350 V8 CARB - VIN L	E-1500	
Omega	350 V8 CARB - VIN R	E-1650	HP-2003 ¹
1976 OLDSMOBILE			
Toronado	455 V8 CARB	E-1650	
1975 OLDSMOBILE			
Cutlass Supreme	350 V8 CARB	E-1650	
1974 OLDSMOBILE			
Cutlass	455 V8 CARB		HP-2003 ¹
Cutlass	455 V8 CARB - Exc. W31	E-1650	HP-2003
1973 OLDSMOBILE			
Cutlass Supreme	350 V8 4 BBL. - w/o hood scoop	E-1650	
Cutlass Supreme	455 V8 CARB - w/o hood scoop	E-1650	
Delta 88	350 V8 4 BBL. - w/o hood scoop	E-1650	
1972 OLDSMOBILE			
Cutlass	350 V8 2 BBL.	E-1220	HP-2003 ¹
Cutlass	350 V8 4 BBL.		HP-2003 ¹
Cutlass	350 V8 4 BBL. - w/hood scoop	E-1590	HP-2003
Cutlass	350 V8 4 BBL. - w/o hood scoop	E-1650	HP-2003
Cutlass	455 V8 CARB		HP-2003 ¹
Cutlass	455 V8 CARB - w/hood scoop	E-1590	HP-2003
Cutlass	455 V8 CARB - w/o hood scoop	E-1650	HP-2003
Cutlass Supreme	350 V8 2 BBL.	E-1220	HP-2003 ¹
Cutlass Supreme	350 V8 4 BBL.		HP-2003 ¹
Cutlass Supreme	350 V8 4 BBL. - w/hood scoop	E-1590	HP-2003
Cutlass Supreme	350 V8 4 BBL. - w/o hood scoop	E-1650	HP-2003
Cutlass Supreme	455 V8 CARB		HP-2003 ¹
Cutlass Supreme	455 V8 CARB - w/hood scoop	E-1590	HP-2003
Cutlass Supreme	455 V8 CARB - w/o hood scoop	E-1650	HP-2003
1971 OLDSMOBILE			
442	455 V8 2 BBL.	E-1220	HP-2003 ¹
442	455 V8 4 BBL.		HP-2003 ¹
442	455 V8 4 BBL. - w/o Ram Air	E-1650	HP-2003
442	455 V8 4 BBL. - w/Ram Air	E-1590	HP-2003
Cutlass	350 V8 2 BBL.	E-1220	HP-2003 ¹
Cutlass	350 V8 4 BBL.		HP-2003 ¹
Cutlass	350 V8 4 BBL. - w/o Ram Air	E-1650	HP-2003
Cutlass	350 V8 4 BBL. - w/Ram Air	E-1590	HP-2003
Cutlass Supreme	350 V8 2 BBL.	E-1220	
Cutlass Supreme	350 V8 4 BBL.	E-1220	
Cutlass Supreme	455 V8 2 BBL.	E-1220	HP-2003 ¹
Cutlass Supreme	455 V8 4 BBL.		HP-2003 ¹
Cutlass Supreme	455 V8 4 BBL. - w/o Ram Air	E-1650	HP-2003
Cutlass Supreme	455 V8 4 BBL. - w/Ram Air	E-1590	HP-2003
1970 OLDSMOBILE			
98	455 V8 4 BBL. - w/o hood scoop	E-1650	
442	350 V8 4 BBL. - w/o hood scoop	E-1650	
442	455 V8 2 BBL.	E-1220	HP-2003 ¹

Vehicle	Engine Type	Air Filter	Oil Filter
1970 OLDSMOBILE			
442	455 V8 4 BBL.		HP-2003 ¹
442	455 V8 4 BBL. - w/hood scoop	E-1590	HP-2003
442	455 V8 4 BBL. - w/o hood scoop	E-1650	HP-2003
Cutlass	350 V8 2 BBL.	E-1220	HP-2003 ¹
Cutlass	350 V8 4 BBL.		HP-2003 ¹
Cutlass	350 V8 4 BBL. - w/o Ram Air	E-1650	HP-2003
Cutlass	350 V8 4 BBL. - w/Ram Air	E-1590	HP-2003
Cutlass	455 V8 2 BBL.	E-1220	HP-2003 ¹
Cutlass	455 V8 4 BBL.		HP-2003 ¹
Cutlass	455 V8 4 BBL. - w/o Ram Air	E-1650	HP-2003
Cutlass	455 V8 4 BBL. - w/Ram Air	E-1590	HP-2003
Cutlass Supreme	350 V8 2 BBL.	E-1220	
Cutlass Supreme	350 V8 4 BBL.	E-1650	
Delta 88	455 V8 4 BBL. - w/o hood scoop	E-1650	
1969 OLDSMOBILE			
442	350 V8 4 BBL.	E-1650	
442	400 V8 CARB	E-1650	
442	455 V8 2 BBL.	E-1220	HP-2003 ¹
442	455 V8 4 BBL.		HP-2003 ¹
442	455 V8 4 BBL. - w/o Ram Air	E-1650	HP-2003
442	455 V8 4 BBL. - w/Ram Air	E-1590	HP-2003
Cutlass	350 V8 2 BBL.	E-1220	HP-2003 ¹
Cutlass	350 V8 4 BBL.	E-1650	HP-2003 ¹
Cutlass Supreme	350 V8 4 BBL.	E-1650	
Cutlass Supreme	350 V8 CARB - 2 BBL	E-1220	
Cutlass Supreme	350 V8 CARB - 4 BBL	E-1650	
1968 OLDSMOBILE			
442	400 V8 CARB	E-1650	
442	455 V8 2 BBL.	E-1220	HP-2003 ¹
442	455 V8 4 BBL.		HP-2003 ¹
442	455 V8 4 BBL. - w/o Ram Air	E-1650	HP-2003
442	455 V8 4 BBL. - w/Ram Air	E-1590	HP-2003
Cutlass	350 V8 2 BBL.	E-1220	HP-2003 ¹
Cutlass	350 V8 4 BBL.	E-1650	HP-2003 ¹
Cutlass Supreme	350 V8 2 BBL.	E-1220	
Cutlass Supreme	350 V8 4 BBL.	E-1650	
1967 OLDSMOBILE			
442	400 V8 CARB	E-1650	
Cutlass	330 V8 CARB - w/Manual Trans.	E-1650	
Cutlass Supreme	330 V8 CARB - w/Auto Trans.	E-1220	
Cutlass Supreme	330 V8 CARB - w/Manual Trans.	E-1650	
1966 OLDSMOBILE			
442	400 V8 CARB	E-1650	
2014 OPEL			
Insignia	2.0L L4 DSL	33-2962	
Insignia	2.0L L4 F/I	33-2962	
Mokka	1.4L L4 F/I	33-5007	
Mokka	1.6L L4 F/I	33-5007	
2013 OPEL			
Astra J	2.0L L4 DSL	33-2966	
Astra J	2.0L L4 F/I	33-2966	
Corsa D	1.4L L4 F/I	33-2935 ♦	

* 2 filters required ♦ Intake System Available - see page 81 +Cabin Air Filter Available - see page 453 1- Pro Series Filter Available

OPEL

AIR & OIL FILTERS

Vehicle	Engine Type	Air Filter	Oil Filter
2012 OPEL			
Astra J	1.4L L4 F/I - Exc. Turbo	33-2964 ♦	
Astra J	1.4L L4 F/I - Turbo	33-2966 ♦	
Astra J	1.6L L4 F/I - Exc. Turbo	33-2964	
Astra J	1.6L L4 F/I - Turbo	33-2966	
Astra J	2.0L L4 DSL	33-2966	
Astra J	2.0L L4 F/I	33-2966	
Insignia	2.0L L4 DSL	33-2962	
Insignia	2.0L L4 F/I	33-2962	
2011 OPEL			
Insignia	2.8L V6 F/I	33-2962	
2010 OPEL			
Astra J	1.6L L4 F/I - Exc. Turbo	33-2964	
Astra J	1.6L L4 F/I - Turbo	33-2966	
2008 OPEL			
Astra H	1.8L L4 F/I	33-2787 ♦	
2007 OPEL			
Corsa D	1.6L L4 F/I	33-2935 ♦	
2006 OPEL			
Zafira	1.9L L4 DSL	33-2213	
2004 OPEL			
Corsa C	1.4L L4 F/I	33-2212 ♦	
2002 OPEL			
Corsa C	1.4L L4 F/I	33-2212 ♦	
2000 OPEL			
Corsa B	1.0L L3 F/I	33-2098 ♦	
Corsa B	1.4L L4 F/I	33-2098 ♦	
1999 OPEL			
Corsa B	1.6L L4 F/I	33-2098 ♦	
1997 OPEL			
Corsa B	1.6L L4 F/I	33-2098 ♦	
1994 OPEL			
Omega A	3.0L V6 F/I	33-2013	
1993 OPEL			
Corsa A	1.6L L4 F/I - GSi	33-2547 ♦	
1992 OPEL			
Corsa A	1.4L L4 F/I - 82BHP	33-2547 ♦	
Corsa A	1.6L L4 F/I - GSi	33-2547 ♦	
Omega A	2.6L V6 F/I	33-2013	
1991 OPEL			
Corsa A	1.4L L4 F/I - 82BHP	33-2547 ♦	
1990 OPEL			
Senator B	3.0L V6 F/I - 204BHP	33-2013	
1989 OPEL			
Kadett E	1.6L L4 DSL	33-2504	
Omega A	2.0L L4 F/I	33-2013 ♦	
1973 OPEL			
GT	1.9L L4 F/I	E-2340	
1971 OPEL			
GT	1.9L L4 F/I	E-2340	
1970 OPEL			
GT	1.9L L4 F/I	E-2340	
1969 OPEL			
GT	1.9L L4 F/I	E-2340	

Vehicle	Engine Type	Air Filter	Oil Filter
2016 PEUGEOT			
308	1.6L L4 F/I	33-2939	
2014 PEUGEOT			
208	1.6L L4 DSL	33-2975+	
208	1.6L L4 F/I	33-2941+	
208 GT	1.6L L4 F/I	33-2936+	
2013 PEUGEOT			
208	1.6L L4 DSL	33-2975+	
208	1.6L L4 F/I - Exc. Turbo	33-2941+	
208	1.6L L4 F/I - Turbo	33-2936+	
308	1.6L L4 DSL	33-2975+	
2011 PEUGEOT			
107	1.0L L3 F/I	33-2131 ♦	
206	1.6L L4 F/I	33-2937	
508	1.6L L4 DSL	33-2975	
508	1.6L L4 F/I - Exc. Turbo	33-2941	
508	1.6L L4 F/I - Turbo	33-2936	
2010 PEUGEOT			
207	1.6L L4 F/I - 109BHP, Exc. Turbo	33-2844 ♦+	
2009 PEUGEOT			
207	1.4L L4 DSL	33-2840+	
207	1.6L L4 DSL - 90/109BHP	33-2847 ♦+	
207	1.6L L4 DSL - 92/112BHP	33-2975 ♦+	
207	1.6L L4 F/I - 109BHP, Exc. Turbo	33-2844 ♦+	
207	1.6L L4 F/I - 120BHP, Exc. Turbo	33-2941 ♦+	
207	1.6L L4 F/I - Turbo	33-2936 ♦+	
Geopolis	125		KN-185
2008 PEUGEOT			
207	1.6L L4 DSL	33-2847 ♦+	PS-7024
207	1.6L L4 F/I		PS-7024
207	1.6L L4 F/I - 109BHP	33-2844 ♦+	PS-7024
207	1.6L L4 F/I - 120BHP	33-2941 ♦+	PS-7024
207	1.6L L4 F/I - Turbo	33-2936 ♦+	PS-7024
407	2.2L L4 F/I	33-2911	
2007 PEUGEOT			
206	1.6L L4 F/I	33-2937 ♦	
207	1.6L L4 F/I - 109BHP	33-2844 ♦+	
307	2.0L L4 DSL - Auto Gearbox	33-2998	
307	2.0L L4 DSL - Manual Gearbox	33-2245	
307	2.0L L4 F/I	33-2957 ♦	PS-7024
2006 PEUGEOT			
206	1.4L L4 DSL	33-2840	
206	1.4L L4 F/I - 16v	33-2916 ♦	
206	1.4L L4 F/I - 8v	33-2813 ♦	
206	1.6L L4 DSL	33-2847 ♦	
206	1.6L L4 F/I	33-2937 ♦	
2005 PEUGEOT			
206	1.4L L4 DSL	33-2840	
206	1.4L L4 F/I - 16v	33-2916 ♦	
206	1.4L L4 F/I - 8v	33-2813 ♦	
206	1.6L L4 DSL	33-2847 ♦	
206	1.6L L4 F/I	33-2937 ♦	
307	1.6L L4 DSL	33-2847	
307	1.6L L4 F/I - From 10/05	33-2937 ♦	
307	1.6L L4 F/I - to 9/05	33-2245 ♦	
307	2.0L L4 F/I - from 5/05	33-2957 ♦	

* 2 filters required ♦ Intake System Available - see page 81 +Cabin Air Filter Available - see page 453 1- Pro Series Filter Available

AIR & OIL FILTERS

PEUGEOT

Vehicle	Engine Type	Air Filter	Oil Filter
2005 PEUGEOT			
407	1.8L L4 F/I	33-2911	
407	2.0L L4 F/I	33-2911	
2004 PEUGEOT			
206	1.6L L4 F/I	33-2813 ♦	
206 RC	2.0L L4 F/I	33-2510 ♦	
2003 PEUGEOT			
206	1.4L L4 F/I - 16v	33-2916 ♦	
206	1.4L L4 F/I - 8v	33-2813 ♦	
206	1.6L L4 F/I	33-2813 ♦	
206	2.0L L4 DSL	33-2813 ♦	
206	2.0L L4 F/I	33-2813 ♦	
206 RC	2.0L L4 F/I	33-2510 ♦	
307	2.0L L4 DSL - Auto Gearbox	33-2998 ♦	
307	2.0L L4 DSL - Manual Gearbox	33-2245 ♦	
307	2.0L L4 F/I	33-2245 ♦	PS-7024
2002 PEUGEOT			
206	1.6L L4 F/I	33-2813 ♦	
206	2.0L L4 DSL	33-2813 ♦	
206	2.0L L4 F/I	33-2813 ♦	
307	1.6L L4 F/I	33-2245 ♦	
2001 PEUGEOT			
106 II	1.6L L4 F/I - 16v	33-2772 ♦	
1994 PEUGEOT			
106 I	1.3L L4 F/I	33-2725 ♦	
306	2.0L L4 F/I - Exc., S16	33-2673 ♦	
306	2.0L L4 F/I - S16	E-9000 ♦	
1986 PEUGEOT			
604	2.8L V6 F/I	33-2726	
1980 PEUGEOT			
604	2.8L V6 CARB	E-3740	
2007 PIAGGIO			
MP3 250	250		KN-183
2001 PLYMOUTH			
Neon	2.0L L4 F/I	E-1006	HP-1002 ¹
Prowler	3.5L V6 F/I	33-2087	
2000 PLYMOUTH			
Breeze	2.4L L4 F/I	33-2067	
Neon	2.0L L4 F/I	E-1006	HP-1002 ¹
Prowler	3.5L V6 F/I	33-2087	HP-2004 ¹
1999 PLYMOUTH			
Neon	2.0L L4 F/I	33-2087	HP-1002 ¹
		33-2087 ♦	HP-1002 ¹
Prowler	3.5L V6 F/I	33-2087	HP-2004 ¹
1998 PLYMOUTH			
Neon	2.0L L4 F/I	33-2087	HP-1002 ¹
		33-2087 ♦	HP-1002 ¹
1997 PLYMOUTH			
Neon	2.0L L4 F/I	33-2087	HP-1002 ¹
		33-2087 ♦	HP-1002 ¹
1996 PLYMOUTH			
Neon	2.0L L4 F/I	33-2087 ♦	
1995 PLYMOUTH			
Neon	2.0L L4 F/I	33-2087	HP-1002 ¹
		33-2087 ♦	HP-1002 ¹

Vehicle	Engine Type	Air Filter	Oil Filter
1974 PLYMOUTH			
Duster	360 V8 CARB	E-1530	HP-2004 ¹
1973 PLYMOUTH			
Duster	340 V8 CARB	E-1530	HP-2004 ¹
Roadrunner	340 V8 CARB	E-1530	
1972 PLYMOUTH			
Roadrunner	440 V8 3x2BBL.	E-1980	HP-3001 ¹
Roadrunner	440 V8 4 BBL.	E-1530	HP-3001 ¹
1971 PLYMOUTH			
Cricket	91 L4 CARB	E-2320	
Cuda	426 V8 CARB	E-1980	
Cuda	440 V8 CARB - Exc. Hi Perf.	E-1980	
Duster	340 V8 3x2BBL.	E-1980	HP-3001 ¹
Duster	340 V8 4 BBL.	E-1530	HP-3001 ¹
GTX	440 V8 4 BBL.	E-1980	
Roadrunner	440 V8 CARB		HP-3001 ¹
Roadrunner	440 V8 CARB - Exc. Hi Perf.	E-1980	HP-3001
1970 PLYMOUTH			
Cuda	340 V8 3x2BBL.	E-1980	
Cuda	340 V8 4 BBL.	E-1530	
Cuda	426 V8 CARB	E-1980	
Cuda	440 V8 3x2BBL.	E-1980	
Cuda	440 V8 4 BBL.	E-1530	
Duster	340 V8 CARB	E-1530	HP-3001 ¹
GTX	440 V8 3x2BBL.		HP-3001 ¹
GTX	440 V8 3x2BBL. - Exc. Hi Perf.	E-1980	HP-3001
GTX	440 V8 4 BBL.		HP-3001 ¹
GTX	440 V8 4 BBL. - Hi Perf.	E-1530	HP-3001
Roadrunner	383 V8 CARB	E-1530	HP-3001 ¹
Roadrunner	426 V8 CARB	E-1980	HP-3001 ¹
Roadrunner	440 V8 3x2BBL.	E-1980	HP-3001 ¹
Roadrunner	440 V8 4 BBL.	E-1530	HP-3001 ¹
Superbird	440 V8 CARB - Exc. Hi Perf.	E-1980	
1969 PLYMOUTH			
GTX	440 V8 3x2BBL.	E-1980	HP-3001 ¹
GTX	440 V8 4 BBL.	E-1530	HP-3001 ¹
Roadrunner	383 V8 CARB		HP-3001 ¹
Roadrunner	383 V8 CARB - w/o snorkel	E-1530	HP-3001
Roadrunner	383 V8 CARB - w/snorkel	E-1540	HP-3001
Roadrunner	426 V8 CARB	E-1980	HP-3001 ¹
Roadrunner	440 V8 CARB		HP-3001 ¹
Roadrunner	440 V8 CARB - w/air control	E-1980	HP-3001
Roadrunner	440 V8 CARB - w/o snorkel	E-1530	HP-3001
Roadrunner	440 V8 CARB - w/snorkel	E-1540	HP-3001
1968 PLYMOUTH			
Barracuda	340 V8 CARB	E-1530	HP-3001 ¹
GTX	440 V8 CARB		HP-3001 ¹
GTX	440 V8 CARB - w/o snorkel	E-1530	HP-3001
GTX	440 V8 CARB - w/snorkel	E-1540	HP-3001
Roadrunner	383 V8 CARB		HP-3001 ¹
Roadrunner	383 V8 CARB - w/o snorkel	E-1530	HP-3001
Roadrunner	383 V8 CARB - w/snorkel	E-1540	HP-3001
Roadrunner	426 V8 CARB	E-1980	

* 2 filters required ♦ Intake System Available - see page 81 +Cabin Air Filter Available - see page 453 1- Pro Series Filter Available

Partial Listing - Complete List of Vehicles and Applications at knfilters.com

PLYMOUTH

AIR & OIL FILTERS

Vehicle	Engine Type	Air Filter	Oil Filter
1967 PLYMOUTH			
GTX	426 V8 CARB	E-1980	HP-3001 ¹
GTX	440 V8 CARB		HP-3001 ¹

Vehicle	Engine Type	Air Filter	Oil Filter
1966 PLYMOUTH			
Belvedere II	426 V8 CARB	E-1540	

Vehicle	Engine Type	Air Filter	Oil Filter
1965 PLYMOUTH			
Barracuda	273 V8 2 BBL.	E-1100	HP-3001 ¹
Barracuda	273 V8 4 BBL.	E-1957	HP-3001 ¹

Vehicle	Engine Type	Air Filter	Oil Filter
2016 POLARIS			
RZR 170	169	PL-1710	
RZR XP 1000 EPS	999	PL-1014	
RZR XP Turbo	925	PL-1014	
Slingshot	2384	PL-2415	PS-7000
Slingshot SL	2384	PL-2415	PS-7000
Slingshot SLLE	2384	PL-2415	PS-7000
Sportsman 570	567	PL-1003	
Sportsman Ace	325	PL-3214	

Vehicle	Engine Type	Air Filter	Oil Filter
2015 POLARIS			
Phoenix 200	196	PL-1004	
Ranger 570	567		KN-198
Ranger 570 Crew	567		KN-198
Ranger 570 Crew EPS	567		KN-198
Ranger 570 Crew EPS Full Size	567		KN-198
Ranger 570 Crew Full Size	567		KN-198
Ranger 570 EPS	567		KN-198
Ranger 570 EPS Full Size	567		KN-198
Ranger 570 Full Size	567		KN-198
Ranger Crew 900	875		KN-198
RZR 170	169	PL-1710	
RZR 570	567	PL-5712	KN-198
RZR 570 EPS Trail	567	PL-5712	KN-198
RZR 900	875	PL-8715	KN-198
RZR 900 EPS Trail	875		KN-198
RZR 900 XC Edition	875		KN-198
RZR S 900	875	PL-8715	KN-198
RZR S 900 EPS	875		KN-198
RZR XP 4 1000 EPS	999	PL-1014	KN-198
RZR XP 1000 EPS	999	PL-1014	KN-198
RZR XP 1000 EPS Desert Edition	999	PL-1014	KN-198
RZR XP 1000 EPS High Lifter Edition	999	PL-1014	KN-198
Scrambler 850	850	PL-1003	
Slingshot	2384	PL-2415	
Slingshot SL	2384	PL-2415	
Sportsman 570	567	PL-1003	
Sportsman 570 EPS	567	PL-1003	
Sportsman 570 SP	567	PL-1003	
Sportsman 570 SP Hunters Edition	567	PL-1003	
Sportsman 570 Touring	567	PL-1003	
Sportsman 570 Touring SP	567	PL-1003	
Sportsman 570 X2 EPS	567	PL-1003	
Sportsman 850	850	PL-1003	
Sportsman 850 SP	850	PL-1003	
Sportsman 850 Touring SP	850	PL-1003	
Sportsman Ace	325	PL-3214	

Vehicle	Engine Type	Air Filter	Oil Filter
2015 POLARIS			
Sportsman Ace 570	567	PL-3214	

Vehicle	Engine Type	Air Filter	Oil Filter
2014 POLARIS			
Phoenix 200	196	PL-1004	
Ranger 4x4 400	455	PL-5008	KN-303
Ranger 6x6 800	760	PL-8007	
Ranger 570 Crew	567		KN-198
Ranger 570 Crew EPS LE	567		KN-198
Ranger 570 EFI	567		KN-198
Ranger 570 EPS LE	567		KN-198
Ranger 800 EFI	760	PL-8007	KN-198
Ranger 800 EFI EPS LE	760	PL-8007	KN-198
Ranger 800 EFI Mid-Size	760	PL-8007	KN-198
Ranger 800 EFI Mid-Size LE	760	PL-8007	KN-198
Ranger 900 Crew	875	PL-5712	KN-198
Ranger 900 Crew EPS	875	PL-5712	KN-198
Ranger 900 Crew EPS LE	875	PL-5712	KN-198
Ranger 900 XP	875	PL-5712	KN-198
Ranger 900 XP Deluxe	875	PL-5712	KN-198
Ranger 900 XP EPS	875	PL-5712	KN-198
Ranger 900 XP EPS Browning LE	875	PL-5712	KN-198
Ranger 900 XP EPS LE	875	PL-5712	KN-198
Ranger Crew 800	760	PL-8007	KN-198
Ranger Crew DSL	904	PL-8007	
Ranger DSL	904	PL-8007	
Ranger RZR 570	567	PL-5712	KN-198
Ranger RZR 570 EPS Trail LE	567	PL-5712	KN-198
Ranger RZR 800	760	PL-8007	KN-198
Ranger RZR 800 EPS LE	760	PL-8007	KN-198
Ranger RZR 800 S	760	PL-8007	KN-198
Ranger RZR S 800 EPS LE	760	PL-8007	KN-198
RZR 4 800 EPS LE	760	PL-8007	KN-198
RZR 4 900 EPS LE	875	PL-9011	KN-198
RZR 170	169	PL-1710	
RZR 570	567	PL-5712	KN-198
RZR 570 EPS LE	567	PL-5712	KN-198
RZR 570 EPS Trail LE	567	PL-5712	KN-198
RZR 800	760	PL-8007	KN-198
RZR 800 EPS LE	760	PL-8007	KN-198
RZR 800 XC Edition	760	PL-8007	KN-198
RZR 900	875	PL-9011	KN-198
RZR 900 EPS LE	875	PL-9011	KN-198
RZR S 800	760	PL-8007	KN-198
RZR S 800 EPS LE	760	PL-8007	KN-198
RZR XP 4 1000 EPS	999	PL-1014	KN-198
RZR XP 1000 EPS	999	PL-1014	KN-198
Scrambler 850 XP HO	850	PL-1003	
Scrambler 850 XP HO EPS LE	850	PL-1003	
Sportsman 400 H.O.	455	PL-1003	KN-303
Sportsman 400 HO South Edition	455		KN-303
Sportsman 550	549	PL-1003	

* 2 filters required ♦ Intake System Available - see page 81 +Cabin Air Filter Available - see page 453 1- Pro Series Filter Available

AIR & OIL FILTERS

POLARIS

Vehicle	Engine Type	Air Filter	Oil Filter	Vehicle	Engine Type	Air Filter	Oil Filter
2014 POLARIS				2013 POLARIS			
Sportsman 550 EPs	550	PL-1003		Ranger RZR XP 900 LE	875	PL-9011	KN-198
Sportsman 550 EPs Touring	550	PL-1003		Scrambler 850 XP HO	850	PL-1003	
Sportsman 550 X2	550	PL-1003		Scrambler 850 XP HO EPS LE	850	PL-1003	
Sportsman 570	567	PL-1003		Sportsman 400 H.O.	455	PL-1003	KN-303
Sportsman 570 EPS	567	PL-1003		Sportsman 500 HO	498	PL-1003	KN-303
Sportsman 570 Touring	567	PL-1003		Sportsman 500 HO Touring	498	PL-1003	KN-303
Sportsman 800 EFI	800	PL-1003	KN-198	Sportsman 550	549	PL-1003	
Sportsman 850 HO	850	PL-1003		Sportsman 550 EPs	550	PL-1003	
Touring EPS Bronze Mist LE				Sportsman 550 EPs Touring	550	PL-1003	
Sportsman 850 HO XP EPS Pearl White LE	850	PL-5509		Sportsman 550 X2	550	PL-1003	
Sportsman 850 Touring H.O. EPs	850	PL-1003		Sportsman 800 EFI	800	PL-1003	KN-198
Sportsman 850 XP H.O. EPs	850	PL-5509		Sportsman 850 HO Touring EPS Sunset Red LE	850	PL-1003	
Sportsman 850 XP LE-Browning	850	PL-5509		Sportsman 850 HO XP EPS Browning LE	850	PL-5509	
Sportsman Ace	325	PL-3214		Sportsman 850 HO XP EPS Stealth Black LE	850	PL-5509	
2013 POLARIS				2012 POLARIS			
Ranger 4x4 400	455	PL-5008	KN-303	Sportsman 850 Touring H.O. EPs	850	PL-1003	
Ranger 800 EFI	760	PL-8007	KN-198	Sportsman 850 XP H.O.	850	PL-5509	
Ranger 800 EFI EPS	760	PL-8007	KN-198	Sportsman 850 XP H.O. EPs	850	PL-5509	
Ranger 800 EFI EPS LE	760	PL-8007	KN-198	Trail Blazer 330	329		KN-303
Ranger 800 EFI LE	760	PL-8007	KN-198	2012 POLARIS			
Ranger 800 EFI Mid-Size	760	PL-8007	KN-198	Ranger 4x4 400	455	PL-5008	KN-303
Ranger 900 XP	875	PL-5712	KN-198	Ranger 800 HD EPS	760	PL-5008	KN-198
Ranger 4x4 EFI	499	PL-5008	KN-303	Ranger 800 XP	760	PL-8007	KN-198
Ranger Crew 500	498	PL-5008	KN-303	Ranger 800 XP EPS	760	PL-8007	KN-198
Ranger Crew 800	760	PL-8007	KN-198	Ranger 800 XP EPS LE	760	PL-8007	KN-198
Ranger Crew 800 EPS	760	PL-8007	KN-198	Ranger 800 XP LE	760	PL-8007	KN-198
Ranger Crew DSL	904	PL-8007		Ranger 4x4 EFI	499	PL-5008	KN-303
Ranger RZR 4 800	760	PL-8007	KN-198	Ranger Crew 500	498	PL-5008	KN-303
Ranger RZR 4 800 EPS LE	760	PL-8007	KN-198	Ranger Crew 800	760	PL-8007	KN-198
Ranger RZR 570	567	PL-5712	KN-198	Ranger Crew 800 EPS	760	PL-8007	KN-198
Ranger RZR 570 EPS Trail LE	567	PL-5712	KN-198	Ranger RZR 4 800	760	PL-8007	KN-198
Ranger RZR 800	760	PL-8007	KN-198	Ranger RZR 4 800 EPs Robby Gordon Edition	760	PL-8007	KN-198
Ranger RZR 800 EPS LE	760	PL-8007	KN-198	Ranger RZR 4 800 Gordon Edition	760	PL-8007	KN-198
Ranger RZR 800 LE	760	PL-8007	KN-198	Ranger RZR 570	567	PL-5712	KN-198
Ranger RZR 800 S	760	PL-8007	KN-198	Ranger RZR 800	760	PL-8007	KN-198
Ranger RZR 800 S LE	760	PL-8007	KN-198	Ranger RZR 800 EPS LE	760	PL-8007	KN-198
Ranger RZR 170	169	PL-1710		Ranger RZR 800 LE	760	PL-8007	KN-198
Ranger RZR S 800	760	PL-8007	KN-198	Ranger RZR 800 S	760	PL-8007	KN-198
Ranger RZR XP 4 900	875	PL-9011	KN-198	Ranger RZR 800 S LE	760	PL-8007	KN-198
Ranger RZR XP 4 900 EPS LE	875	PL-9011	KN-198	Ranger RZR 170	169	PL-1710	
Ranger RZR XP 900	875	PL-9011	KN-198	Ranger RZR XP 4 900	875	PL-9011	KN-198
Ranger RZR XP 900 EPS LE	875	PL-9011	KN-198	Ranger RZR 800 S	760	PL-8007	KN-198
Ranger RZR XP 900 EPS Walker Evans LE	875	PL-9011	KN-198	Ranger RZR 800 S LE	760	PL-8007	KN-198
Ranger RZR XP 900 HO Jagged X Edition	875	PL-9011	KN-198	Ranger RZR XP 4 900 EPS LE	875	PL-9011	KN-198
				Ranger RZR XP 900	875	PL-9011	KN-198
				Ranger RZR XP 900 LE	875	PL-9011	KN-198
				Sportsman 400 H.O.	455	PL-1003	KN-303

* 2 filters required ♦ Intake System Available - see page 81 +Cabin Air Filter Available - see page 453 1- Pro Series Filter Available

POLARIS

AIR & OIL FILTERS

Vehicle	Engine Type	Air Filter	Oil Filter	Vehicle	Engine Type	Air Filter	Oil Filter
2012 POLARIS				2011 POLARIS			
Sportsman 500 EFI	498	PL-1003	KN-303	Sportsman 550 X2	550	PL-1003	
Sportsman 500 HO	498	PL-1003	KN-303	Sportsman 550 XP	550	PL-5509	
Sportsman 500 HO	498	PL-1003	KN-303	EFI			
Polaris Pursuite LE				Sportsman 800 EFI	800	PL-1003	KN-198
Sportsman 500 HO	500	PL-1003	KN-303	Sportsman 800 EFI	800	PL-1003	KN-198
Touring				6x6			
Sportsman 550	550	PL-1003		Sportsman 850	850	PL-1003	
Sportsman 550 EPs	550	PL-1003		Touring EPs			
Sportsman 550 EPs	550	PL-1003		Sportsman 850 XP	850	PL-5509	
Browning				EFI			
Sportsman 550 EPS	550	PL-1003		Sportsman 850 XP	850	PL-5509	
Orange Madness LE				EPs			
Sportsman 550 EPs	550	PL-1003		2010 POLARIS			
Touring				Outlaw 525 S	510 - Short Filter		KN-157
Sportsman 550 X2	550	PL-1003		Outlaw 525 S	510 - Tall Filter		KN-155
Sportsman 550 XP	550	PL-5509		Ranger 4x4 400	455	PL-5008	KN-303
EFI				Ranger 800 HD	760	PL-5008	KN-198
Sportsman 800 EFI	800	PL-1003	KN-198	Ranger 800 XP	760	PL-5008	
Sportsman 800 EFI	800	PL-1003	KN-198	Ranger 4x4 EFI	499	PL-5008	KN-303
6x6 Big Boss				Ranger Crew 800	760	PL-5008	KN-198
Sportsman 850 HO	850	PL-5509		Ranger Crew 800	760	PL-5008	KN-198
XP EPS				EPS			
Sportsman 850 HO	850	PL-5509		Ranger RZR 4 800	760	PL-8007	KN-198
XP EPS Browning LE				Ranger RZR 4 800	760	PL-8007	KN-198
Sportsman 850 HO	850	PL-5509		Gordon Edition			
XP EPS Orange				Ranger RZR 800	760	PL-8007	KN-198
Madness LE				Ranger RZR 170	169	PL-1710	
Sportsman 850	850	PL-1003		Ranger RZR S	760	PL-8007	KN-198
Touring H.O. EPs				Ranger RZR XP 900	875	PL-9011	KN-198
Sportsman 850 XP	850	PL-5509		Ranger RZR XP 900	875	PL-9011	KN-198
H.O.				LE			
Trail Boss 330	329	PL-1003	KN-303	Sportsman 400 H.O.	455	PL-1003	KN-303
2011 POLARIS				Sportsman 500 HO	500	PL-1003	KN-303
Ranger 4x4 400	455	PL-5008	KN-303	Touring			
Ranger 800 HD EPS	760	PL-5008	KN-198	Sportsman 550	550	PL-1003	
Ranger 800 XP	760	PL-8007	KN-198	Sportsman 550 EPs	550	PL-1003	
Ranger 800 XP EPS	760	PL-8007	KN-198	Sportsman 550 EPs	550	PL-1003	
Ranger 4x4 EFI	499	PL-5008	KN-303	Browning			
Ranger Crew 500	498	PL-5008	KN-198	Sportsman 550 EPs	550	PL-1003	
Ranger Crew 800	760	PL-8007	KN-198	Touring			
Ranger Crew 800	760	PL-8007	KN-198	Sportsman 550 X2	550	PL-1003	
EPS				Sportsman 550 XP	550	PL-5509	
Ranger DSL	904	PL-8007		EFI			
Ranger RZR 4 800	760	PL-8007	KN-198	Sportsman 550 XP	550	PL-5509	
Ranger RZR 4 800	760	PL-8007	KN-198	LE-Browning			
EPs Robby Gordon				Sportsman 800 EFI	800	PL-1003	KN-198
Edition				Sportsman 800 EFI	800	PL-1003	KN-198
Ranger RZR 4 800	760	PL-8007	KN-198	6x6			
Gordon Edition				Sportsman 850	850	PL-1003	
Ranger RZR 4 Robby	760	PL-8007	KN-198	Touring EPs			
Gordon Edition				Sportsman 850 XP	850	PL-5509	
Ranger RZR 800	760	PL-8007	KN-198	Sportsman 850 XP	850	PL-5509	
Ranger RZR 800 SW	760	PL-8007	KN-198	EFI			
Military				Sportsman 850 XP	850	PL-5509	
Ranger RZR 170	169	PL-1710		EPs			
Ranger RZR S	760	PL-8007	KN-198	Sportsman 850 XP	850	PL-5509	
Ranger RZR XP 900	875	PL-9011	KN-198	EPs Browning			
Ranger RZR XP 900	875	PL-9011	KN-198	Sportsman 850 XP	850	PL-5509	
LE				LE-Browning			
Sportsman 400 H.O.	455	PL-1003	KN-303	Sportsman 850 XP	850	PL-5509	
Sportsman 500 HO	498	PL-1003	KN-303	LE-Nuclear Sunset			
Sportsman 500 HO	500	PL-1003	KN-303	2009 POLARIS			
Touring				Outlaw 450 MXR	450 - Short Filter		KN-157
Sportsman 550	550	PL-1003		Outlaw 450 MXR	450 - Tall Filter		KN-155
Sportsman 550 EPs	550	PL-1003		Outlaw 525 IRS	525	PL-5207	
Sportsman 550 EPs	550	PL-1003		Outlaw 525 IRS	525 - Short Filter	PL-5207	KN-157
Touring							

* 2 filters required ♦ Intake System Available - see page 81 +Cabin Air Filter Available - see page 453 1- Pro Series Filter Available

AIR & OIL FILTERS

POLARIS

Vehicle	Engine Type	Air Filter	Oil Filter	Vehicle	Engine Type	Air Filter	Oil Filter
2009 POLARIS				2008 POLARIS			
Outlaw 525 IRS	525 - Tall Filter	PL-5207	KN-155	Sportsman 700 EFI X2	700	PL-1003	KN-198
Outlaw 525 S	510 - Short Filter		KN-157	Sportsman 800 EFI HO	769	PL-1003	KN-198
Outlaw 525 S	510 - Tall Filter		KN-155	Sportsman 800 EFI Le	769	PL-1003	KN-198
Phoenix 200	200	PL-1004		Sportsman 800 EFI Touring	769	PL-1003	KN-198
Ranger 4x4 500 EFI	499	PL-5008	KN-303	Sportsman 800 EFI X2	769	PL-1003	KN-198
Ranger 6x6 700 EFI	700	PL-5008	KN-198	Sportsman 800 EFI X2 LE	769	PL-1003	KN-198
Ranger Crew 700	700	PL-5008	KN-198	Trail Blazer 330	330	PL-1005	KN-303
Ranger HD	700	PL-5008		2007 POLARIS			
Ranger RZR 800	760	PL-8007	KN-198	Hawkeye 300 4x4	300	PL-1004	KN-303
Ranger RZR S	760	PL-8007	KN-198	Outlaw 500	500	PL-5006	KN-112
Ranger XP	700	PL-5008	KN-198	Outlaw 525 IRS	525	PL-5207	
Sportsman 300	329		KN-303	Outlaw 525 IRS	525 - Short Filter	PL-5207	KN-157
Sportsman 300 LE	329		KN-303	Outlaw 525 IRS	525 - Tall Filter	PL-5207	KN-155
Sportsman 400 H.O.	455	PL-1003	KN-303	Phoenix 200	200	PL-1004	
Sportsman 500 EFI	496	PL-1003	KN-303	Predator 500	496	PL-5003	KN-112
Touring				Ranger 4x4 500 EFI	499	PL-5008	KN-303
Sportsman 500 Efi	496	PL-1003	KN-303	Ranger 6x6 700 EFI	700	PL-5008	
Touring Le				Ranger XP	700	PL-5008	KN-198
Sportsman 500 Efi X2	500	PL-1003	KN-303	Scrambler 500 4x4	500	PL-1003	KN-303
Sportsman 500 HO	500	PL-1003	KN-303	Sportsman 450	455	PL-1003	KN-303
Sportsman 550 XP	550	PL-5509		Sportsman 500 EFI	499	PL-1003	KN-303
Sportsman 550 XP EFI w/EPs	550	PL-5509		Sportsman 500 EFI Deluxe	499	PL-1003	KN-303
Sportsman 800 EFI	800	PL-1003		Sportsman 500 Efi X2	499	PL-1003	KN-303
Sportsman 800 EFI 6x6 Big Boss	800	PL-1003		Sportsman 500 EFI X2 Deluxe	499	PL-1003	KN-303
Sportsman 800 EFI HO	769	PL-1003		Sportsman 500 HO	500		KN-303
Sportsman 800 EFI Touring	769	PL-1003	KN-198	Sportsman 700 EFI	700	PL-1003	KN-198
Sportsman 800 EFI X2	769	PL-1003		Sportsman 800 EFI	800	PL-1003	KN-198
Sportsman 850 XP	850	PL-5509		Sportsman 800 EFI HO	769		KN-198
EFI				Sportsman 800 EFI X2	769	PL-1003	KN-198
2008 POLARIS				2006 POLARIS			
Outlaw 450 MXR	450 - Short Filter		KN-157	Hawkeye 300 2x4	300	PL-1004	KN-303
Outlaw 450 MXR	450 - Tall Filter		KN-155	Hawkeye 300 4x4	329	PL-1004	KN-303
Outlaw 525	525 - Short Filter		KN-157	Outlaw 500	500	PL-5006	KN-112
Outlaw 525	525 - Tall Filter		KN-155	Phoenix 200	200	PL-1004	
Outlaw 525 IRS	525	PL-5207		Predator 500	496	PL-5003	KN-112
Outlaw 525 IRS	525 - Short Filter	PL-5207	KN-157	Predator 500 TLD	496	PL-5003	KN-112
Outlaw 525 IRS	525 - Tall Filter	PL-5207	KN-155	Ranger 4x4 500	500	PL-5008	KN-303
Outlaw 525 S	510 - Short Filter		KN-157	Ranger 4x4 500 EFI	499	PL-5008	KN-303
Outlaw 525 S	510 - Tall Filter		KN-155	Ranger 6x6 700 EFI	700	PL-5008	
Phoenix 200	200	PL-1004		Ranger XP	700	PL-5008	KN-198
Ranger 4x4 500 EFI	499	PL-5008	KN-303	Sawtooth	200	PL-1004	
Ranger 6x6 700 EFI	700	PL-5008	KN-198	Scrambler 500 4x4	500	PL-1003	KN-303
Ranger Crew 700	700	PL-5008	KN-198	Sportsman 450	455	PL-1003	KN-303
Ranger MVRs 700 4x4	683	PL-5008		Sportsman 500 EFI	496	PL-1003	KN-303
Ranger MVRs 800 4x4	760	PL-5008		Sportsman 500 Efi X2	496	PL-1003	KN-303
Ranger RZR 800	760	PL-8007	KN-198	Sportsman 500 HO	500	PL-1003	KN-303
Ranger XP	700	PL-5008	KN-198	Sportsman 600	597		KN-198
Sportsman 300	329		KN-303	Sportsman 700	700	PL-1003	KN-198
Sportsman 300 LE	329	PL-1004	KN-303	Sportsman 700 EFI	700	PL-1003	KN-198
Sportsman 400 H.O.	455	PL-1003	KN-303	Sportsman 800 EFI	800	PL-1003	KN-198
Sportsman 500 EFI	496		KN-303	Trail Blazer 250	244	PL-1004	
Sportsman 500 Efi LE	496	PL-1003	KN-303	Trail Boss 330	325		KN-303
Sportsman 500 EFI	496	PL-1003	KN-303				
Touring							
Sportsman 500 Efi	496	PL-1003	KN-303				
Touring Le							
Sportsman 500 Efi X2	500	PL-1003	KN-303				
Sportsman 500 HO	500	PL-1003	KN-303				

* 2 filters required ♦ Intake System Available - see page 81 +Cabin Air Filter Available - see page 453 1- Pro Series Filter Available

POLARIS

AIR & OIL FILTERS

Vehicle	Engine Type	Air Filter	Oil Filter
2005 POLARIS			
Magnum 330 4x4	325	PL-1005	KN-303
Phoenix 200	200	PL-1004	
Predator 500	496	PL-5003	KN-112
Predator 500 TLD	500	PL-5003	KN-112
Ranger 4x4 500	500	PL-5008	KN-303
Ranger 6x6 500	500	PL-5008	
Ranger XP	700	PL-5008	KN-198
Scrambler 500 4x4	500	PL-1003	KN-303
Sportsman 400 4x4	427	PL-1003	KN-303
Sportsman 500 HO	500	PL-1003	KN-303
Sportsman 600	597	PL-1003	KN-198
Sportsman 700	700	PL-1003	KN-198
Sportsman 700 EFI	700	PL-1003	KN-198
Sportsman 800 Twin EFI	794	PL-1003	KN-198
Trail Boss 330	325	PL-1005	KN-303

Vehicle	Engine Type	Air Filter	Oil Filter
2004 POLARIS			
Magnum 330 4x4	330	PL-1005	KN-303
Mossy Oak			
Predator 500	496	PL-5003	KN-112
Ranger 2x4 425	425		KN-303
Ranger 2x4 500	500	PL-5008	
Ranger 4x4 500	500	PL-5008	KN-303
Ranger 6x6 500	500	PL-5008	KN-303
Scrambler 500 4x4	500	PL-1003	KN-303
Sportsman 400 4x4	427	PL-1003	KN-303
Sportsman 500 HO	500	PL-1003	KN-303
Sportsman 500 HO Mossy Oak	500	PL-1003	KN-303
Sportsman 600	597	PL-1003	
Sportsman 600	597 - Built After 10/2/03	PL-1003	KN-198
Sportsman 600	597 - Built Before 10/2/03	PL-1003	KN-196
Sportsman 700	700	PL-1003	
Sportsman 700	700 - Built After 10/8/04	PL-1003	KN-198
Sportsman 700	700 - Built Before 10/8/04	PL-1003	KN-196
Sportsman 700 EFI	700	PL-1003	KN-196
Sportsman 700 Twin Mossy Oak	700	PL-1003	KN-196
Trail Boss 330	325	PL-1005	KN-303

Vehicle	Engine Type	Air Filter	Oil Filter
2003 POLARIS			
Magnum 330 4x4	325	PL-1005	KN-303
Predator 500	496	PL-5003	KN-112
Ranger 4x4 500	500	PL-5008	KN-303
Ranger 6x6 500	500		KN-303
Scrambler 500 4x4	500	PL-1003	KN-303
Sportsman 400 4x4	427	PL-1003	KN-303
Sportsman 500 HO 4x4	500	PL-1003	KN-303
Sportsman 600	597	PL-1003	KN-196
Sportsman 700	700	PL-1003	KN-196
Trail Blazer 250	281	PL-1004	
Trail Boss 330	334	PL-1005	KN-303

Vehicle	Engine Type	Air Filter	Oil Filter
2002 POLARIS			
Magnum 325 4x4	325	PL-1005	KN-303
Scrambler 400 2x4	400	PL-1002	
Scrambler 400 4x4	377	PL-1002	
Scrambler 500 2x4	500		KN-303
Scrambler 500 4x4	500		KN-303
Sportsman 400 4x4	427	PL-1003	KN-303
Sportsman 500	500	PL-1003	KN-303
Sportsman 500 HO 4x4	500	PL-1003	KN-303

Vehicle	Engine Type	Air Filter	Oil Filter
2002 POLARIS			
Sportsman 700	700	PL-1003	KN-196
Trail Blazer 250	244	PL-1004	

Vehicle	Engine Type	Air Filter	Oil Filter
2001 POLARIS			
Magnum 325 2x4	325		KN-303
Magnum 325 2x4	325 - Built After 1/8/01	PL-1005	KN-303
Magnum 325 2x4	325 - Built Before 1/8/01	PL-1003	KN-303
Magnum 325 4x4	325		KN-303
Magnum 325 4x4	325 - Built After 1/8/01	PL-1005	KN-303
Magnum 325 4x4	325 - Built Before 1/8/01	PL-1003	KN-303
Scrambler 500 2x4	500	PL-1003	KN-303
Scrambler 500 4x4	500	PL-1003	KN-303
Sportsman 400 4x4	427	PL-1003	KN-303
Sportsman 500 HO	500	PL-1003	KN-303
Sportsman 500 HO RSE	500	PL-1003	KN-303
Trail Blazer 250	244	PL-1004	
Trail Boss 325 2x4	325		KN-303
Trail Boss 325 2x4	325 - Built After 12/11/00	PL-1005	KN-303
Trail Boss 325 2x4	325 - Built Before 12/11/00	PL-1003	KN-303

Vehicle	Engine Type	Air Filter	Oil Filter
2000 POLARIS			
Magnum 325 2x4	325	PL-1003	KN-303
Magnum 325 4x4	325	PL-1003	KN-303
Scrambler 500 4x4	500	PL-1003	KN-303
Sportsman 335	334	PL-1003	KN-303
Sportsman 500 4x4	500	PL-1003	KN-303
Sportsman 500 HO	500		KN-303
Trail Blazer 250	244	PL-1001	
Trail Boss 325 2x4	325	PL-1003	KN-303
Xpedition	425		KN-303

Vehicle	Engine Type	Air Filter	Oil Filter
1999 POLARIS			
Magnum 500 4x4	496	PL-1003	KN-303
Ranger 6x6 500	500		KN-303
Scrambler 400 4x4	377	PL-1002	
Scrambler 500 4x4	500	PL-1003	KN-303
Sport 400L	400	PL-1002	
Sportsman 335	334	PL-1003	KN-303
Sportsman 500 4x4	500	PL-1003	KN-303

Vehicle	Engine Type	Air Filter	Oil Filter
1998 POLARIS			
Big Boss 500 6x6	500	PL-1002	
Magnum 425 4x4	427	PL-1002	KN-303
Sportsman 500 4x4	500	PL-1003	KN-303

Vehicle	Engine Type	Air Filter	Oil Filter
1997 POLARIS			
Sportsman 500 4x4	500	PL-1003	KN-303
Xplorer 400L	377	PL-1001	KN-303
Xplorer 500 4x4	500	PL-1003	KN-303

Vehicle	Engine Type	Air Filter	Oil Filter
1996 POLARIS			
Magnum 425 4x4	427	PL-1002	KN-303
Sportsman 400 4x4	377	PL-1001	
Sportsman 500 4x4	500	PL-1003	KN-303

Vehicle	Engine Type	Air Filter	Oil Filter
1995 POLARIS			
Magnum 425 4x4	427	PL-1002	KN-303
Sportsman 400 4x4	377	PL-1001	

Vehicle	Engine Type	Air Filter	Oil Filter
1994 POLARIS			
Sportsman 400 4x4	377	PL-1001	

Vehicle	Engine Type	Air Filter	Oil Filter
1991 POLARIS			
Trail Boss 250	244	PL-1001	

* 2 filters required ♦ Intake System Available - see page 81 +Cabin Air Filter Available - see page 453 1- Pro Series Filter Available

AIR & OIL FILTERS

PONTIAC

Vehicle	Engine Type	Air Filter	Oil Filter
2010 PONTIAC			
G5	2.2L L4 F/I	33-2311 +	PS-7000
G6	2.4L L4 F/I		PS-7000
G6	2.4L L4 F/I - OEM 10366901	33-2315	PS-7000
G6	2.4L L4 F/I - OEM 22676970	33-2296	PS-7000
G6	3.5L V6 F/I		HP-2006 ¹
G6	3.5L V6 F/I - OEM 10366901	33-2315 ♦	HP-2006
G6	3.5L V6 F/I - OEM 22676970	33-2296 ♦	HP-2006
G6	3.6L V6 F/I	33-2296	HP-1017 ¹
Solstice	2.4L L4 F/I	33-2349	
Vibe	1.8L L4 F/I	33-2360+	PS-7021
Vibe	2.4L L4 F/I		HP-1003 ¹

Vehicle	Engine Type	Air Filter	Oil Filter
2009 PONTIAC			
G3	1.6L L4 F/I	33-2320	PS-7027
G3 Wave	1.6L L4 F/I		PS-7027
G5	2.2L L4 F/I	33-2311 +	
G6	2.4L L4 F/I		PS-7000
G6	2.4L L4 F/I - OEM 10366901	33-2315	PS-7000
G6	2.4L L4 F/I - OEM 22676970	33-2296	PS-7000
G6	3.5L V6 F/I		HP-2006 ¹
G6	3.5L V6 F/I - OEM 10366901	33-2315 ♦	HP-2006
G6	3.5L V6 F/I - OEM 22676970	33-2296 ♦	HP-2006
G6	3.6L V6 F/I	33-2296	HP-1017 ¹
G6	3.9L V6 F/I	33-2315	HP-2006 ¹
G8	3.6L V6 F/I	33-2919 ♦	PS-7003
G8	6.0L V8 F/I	33-2919 ♦	HP-1017 ¹
G8	6.2L V8 F/I	33-2919	HP-1017 ¹
Montana	3.9L V6 F/I		HP-2006 ¹
Solstice	2.0L L4 F/I	33-2369	PS-7000
Solstice	2.4L L4 F/I	33-2349 ♦	PS-7000
Torrent	3.4L V6 F/I	33-2296	HP-1001 ¹
Torrent	3.6L V6 F/I		HP-1017 ¹
Vibe	1.8L L4 F/I	33-2360+	PS-7021
Vibe	2.4L L4 F/I	33-2326+	HP-1003 ¹

Vehicle	Engine Type	Air Filter	Oil Filter
2008 PONTIAC			
G5	2.2L L4 F/I	33-2311 +	PS-7000
G5	2.4L L4 F/I	33-2311 +	PS-7000
G6	2.4L L4 F/I		PS-7000
G6	2.4L L4 F/I - OEM 10366901	33-2315	PS-7000
G6	2.4L L4 F/I - OEM 22676970	33-2296	PS-7000
G6	3.5L V6 F/I		HP-2006 ¹
G6	3.5L V6 F/I - OEM 10366901	33-2315 ♦	HP-2006
G6	3.5L V6 F/I - OEM 22676970	33-2296 ♦	HP-2006
G6	3.6L V6 F/I	33-2296	HP-1017 ¹
G6	3.9L V6 F/I	33-2315	HP-2006 ¹
G8	3.6L V6 F/I	33-2919 ♦	PS-7003
G8	6.0L V8 F/I	33-2919 ♦	HP-1017 ¹
Grand Prix	3.8L V6 F/I	33-2141-1+	HP-1001 ¹
Grand Prix	5.3L V8 F/I	33-2334 ♦+	HP-1017 ¹
Montana	3.9L V6 F/I		HP-2006 ¹
Solstice	2.0L L4 F/I	33-2369 ♦	PS-7000
Solstice	2.4L L4 F/I	33-2349 ♦	PS-7000
Torrent	3.4L V6 F/I	33-2296	HP-1001 ¹
Torrent	3.6L V6 F/I	33-2296	HP-1017 ¹
Vibe	1.8L L4 F/I	33-2252+	HP-1003 ¹
Wave	1.6L L4 F/I	33-2320	

Vehicle	Engine Type	Air Filter	Oil Filter
2007 PONTIAC			
G5	2.2L L4 F/I	33-2311 +	PS-7000
G5	2.4L L4 F/I	33-2311 +	PS-7000
G6	2.4L L4 F/I	33-2315	PS-7000
G6	3.5L V6 F/I	33-2315 ♦	HP-2006 ¹
G6	3.6L V6 F/I	33-2296	HP-1017 ¹
G6	3.9L V6 F/I	33-2315	HP-2006 ¹
Grand Prix	3.8L V6 F/I	33-2141-1+	HP-1001 ¹
Grand Prix	5.3L V8 F/I	33-2334 ♦+	HP-1017 ¹
Montana	3.9L V6 F/I	33-2156+	HP-2006 ¹
Solstice	2.0L L4 F/I	33-2369	PS-7000
Solstice	2.4L L4 F/I	33-2349 ♦	PS-7000
Torrent	3.4L V6 F/I	33-2296	HP-1001 ¹
Vibe	1.8L L4 F/I	33-2252+	HP-1003 ¹

Vehicle	Engine Type	Air Filter	Oil Filter
2006 PONTIAC			
G6	2.4L L4 F/I	33-2315	PS-7000
G6	3.5L V6 F/I	33-2315 ♦	HP-1001 ¹
G6	3.9L V6 F/I	33-2315	HP-2006 ¹
Grand Prix	3.8L V6 F/I	33-2141-1+	HP-1001 ¹
Grand Prix	5.3L V8 F/I	33-2334 ♦+	HP-1007 ¹
GTO	6.0L V8 F/I	33-2314 ♦	HP-1007 ¹
Montana	3.5L V6 F/I	33-2156+	HP-1001 ¹
Pursuit	2.2L L4 F/I		PS-7000
Pursuit	2.4L L4 F/I		PS-7000
Solstice	2.4L L4 F/I	33-2349 ♦	PS-7000
Torrent	3.4L V6 F/I	33-2296	HP-1001 ¹
Vibe	1.8L L4 F/I	33-2252+	HP-1003 ¹
Vibe GT	1.8L L4 F/I	33-2252 ♦+	HP-1003 ¹

Vehicle	Engine Type	Air Filter	Oil Filter
2005 PONTIAC			
Aztek	3.4L V6 F/I	33-2156+	
Bonneville	3.8L V6 F/I	33-2141-1+	HP-1001 ¹
Bonneville	4.6L V8 F/I	33-2063-1+	HP-2006 ¹
G6	3.5L V6 F/I	33-2315 ♦	HP-1001 ¹
Grand Am	2.2L L4 F/I	33-2121-1	PS-7000
Grand Am	3.4L V6 F/I	33-2121-1	HP-1001 ¹
Grand Prix	3.8L V6 F/I	33-2141-1 ♦+	HP-1001 ¹
Grand Prix	5.3L V8 F/I	33-2334+	HP-1007 ¹
GTO	6.0L V8 F/I	33-2314 ♦	HP-1007 ¹
Montana	3.4L V6 F/I	33-2156+	HP-1001 ¹
Montana	3.5L V6 F/I	33-2156+	HP-1001 ¹
Pursuit	2.2L L4 F/I		PS-7000
Sunfire	2.2L L4 F/I	33-2143	PS-7000
Vibe	1.8L L4 F/I	33-2252+	HP-1003 ¹
Vibe GT	1.8L L4 F/I	33-2252 ♦+	HP-1003 ¹

Vehicle	Engine Type	Air Filter	Oil Filter
2004 PONTIAC			
Aztek	3.4L V6 F/I	33-2156+	HP-1001 ¹
Bonneville	3.8L V6 F/I	33-2141-1+	HP-1001 ¹
Bonneville	4.6L V8 F/I	33-2063-1+	HP-2006 ¹
Grand Am	2.2L L4 F/I	33-2121-1	PS-7000
Grand Am	3.4L V6 F/I	33-2121-1	HP-1001 ¹
Grand Prix	3.8L V6 F/I	33-2141-1 ♦+	HP-1001 ¹
GTO	5.7L V8 F/I	33-2289 ♦	HP-1007 ¹
Montana	3.4L V6 F/I	33-2156+	HP-1001 ¹
Sunfire	2.2L L4 F/I	33-2143 ♦	PS-7000
Vibe	1.8L L4 F/I	33-2252 ♦+	HP-1003 ¹
Vibe GT	1.8L L4 F/I	33-2252 ♦+	HP-1003 ¹

Vehicle	Engine Type	Air Filter	Oil Filter
2003 PONTIAC			
Aztek	3.4L V6 F/I	33-2156+	HP-1001 ¹
Bonneville	3.8L V6 F/I	33-2141-1+	HP-1001 ¹
Grand Am	2.2L L4 F/I	33-2121-1	PS-7000
Grand Am	3.4L V6 F/I	33-2121-1	HP-1001 ¹
Grand Prix	3.1L V6 F/I	33-2141-1	HP-1001 ¹
Grand Prix	3.8L V6 F/I	33-2141-1 ♦	HP-1001 ¹

* 2 filters required ♦ Intake System Available - see page 81 +Cabin Air Filter Available - see page 453 1- Pro Series Filter Available

PONTIAC

AIR & OIL FILTERS

Vehicle	Engine Type	Air Filter	Oil Filter
---------	-------------	------------	------------

2003 PONTIAC

Montana	3.4L V6 F/I	33-2156+	HP-1001 ¹
Sunfire	2.2L L4 F/I	33-2143 ♦	PS-7000
Vibe	1.8L L4 F/I	33-2252 ♦+	HP-1003 ¹
Vibe GT	1.8L L4 F/I	33-2252 ♦+	HP-1003 ¹

2002 PONTIAC

Aztek	3.4L V6 F/I	33-2156+	HP-1001 ¹
Bonneville	3.8L V6 F/I	33-2141-1+	HP-1001 ¹
Firebird	3.8L V6 F/I	33-2118 ♦	HP-1001 ¹
Firebird	5.7L V8 F/I	33-2118 ♦	HP-1007 ¹
Grand Am	2.2L L4 F/I	33-2121-1	PS-7000
Grand Am	3.4L V6 F/I	33-2121-1	HP-1001 ¹
Grand Prix	3.1L V6 F/I	33-2141-1	HP-1001 ¹
Grand Prix	3.8L V6 F/I	33-2141-1 ♦	HP-1001 ¹
Montana	3.4L V6 F/I	33-2156+	HP-1001 ¹
Sunfire	2.2L L4 F/I	33-2143	HP-1001 ¹
Sunfire		33-2143 ♦	HP-1001 ¹
Sunfire	2.4L L4 F/I	33-2143	HP-1007 ¹

2001 PONTIAC

Aztek	3.4L V6 F/I	33-2156+	HP-1001 ¹
Bonneville	3.8L V6 F/I	33-2141-1+	HP-1001 ¹
Firebird	3.8L V6 F/I	33-2118 ♦	HP-1001 ¹
Firebird	5.7L V8 F/I	33-2118 ♦	HP-1007 ¹
Grand Am	2.4L L4 F/I	33-2121-1	HP-1007 ¹
Grand Am	3.4L V6 F/I	33-2121-1	HP-1001 ¹
Grand Prix	3.1L V6 F/I	33-2141-1	HP-1001 ¹
Grand Prix	3.8L V6 F/I	33-2141-1 ♦	HP-1001 ¹
Montana	3.4L V6 F/I	33-2156+	HP-1001 ¹
Sunfire	2.2L L4 F/I	33-2143	HP-1001 ¹
Sunfire	2.4L L4 F/I	33-2143	HP-1007 ¹

2000 PONTIAC

Bonneville	3.8L V6 F/I	33-2141-1+	HP-1001 ¹
Firebird	3.8L V6 F/I	33-2118 ♦	HP-1001 ¹
Firebird	5.7L V8 F/I	33-2118 ♦	HP-1007 ¹
Grand Am	2.4L L4 F/I	33-2121-1	HP-1007 ¹
Grand Am	3.4L V6 F/I	33-2121-1	HP-1001 ¹
Grand Prix	3.1L V6 F/I	33-2141-1	HP-1001 ¹
Grand Prix	3.8L V6 F/I	33-2141-1 ♦	HP-1001 ¹
Montana	3.4L V6 F/I	33-2156	HP-1001 ¹
Sunfire	2.2L L4 F/I	33-2143	HP-1001 ¹
Sunfire	2.4L L4 F/I	33-2143	HP-1007 ¹

1999 PONTIAC

Bonneville	3.8L V6 F/I	33-2086	HP-1001 ¹
Firebird	3.8L V6 F/I	33-2118 ♦	HP-1001 ¹
Firebird	5.7L V8 F/I	33-2118 ♦	HP-1007 ¹
Grand Am	2.4L L4 F/I	33-2121-1	HP-1007 ¹
Grand Am	3.4L V6 F/I	33-2121-1	HP-1001 ¹
Grand Prix	3.1L V6 F/I	33-2141-1	HP-1001 ¹
Grand Prix	3.8L V6 F/I	33-2141-1 ♦	HP-1001 ¹
Montana	3.4L V6 F/I	33-2156	HP-1001 ¹
Sunfire	2.2L L4 F/I	33-2143	HP-1001 ¹
Sunfire	2.4L L4 F/I	33-2143	HP-1007 ¹

1998 PONTIAC

Bonneville	3.8L V6 F/I	33-2086	HP-1001 ¹
Firebird	3.8L V6 F/I	33-2118	HP-1001 ¹
Firebird	5.7L V8 F/I	33-2118 ♦	HP-1007 ¹
Grand Am	3.1L V6 F/I	33-2068	HP-1001 ¹
Grand Prix	3.1L V6 F/I	33-2063-1	HP-1001 ¹
Grand Prix	3.8L V6 F/I	33-2063-1	HP-1001 ¹
Sunfire	2.2L L4 F/I	33-2143	HP-1001 ¹
Sunfire	2.4L L4 F/I	33-2143	HP-1007 ¹
Trans Sport	3.4L V6 F/I	33-2156	HP-1001 ¹

Vehicle	Engine Type	Air Filter	Oil Filter
---------	-------------	------------	------------

1997 PONTIAC

Bonneville	3.8L V6 F/I	33-2086	HP-1001 ¹
Firebird	3.8L V6 F/I	33-2042	HP-1001 ¹
Firebird	5.7L V8 F/I		HP-2002 ¹
Firebird	5.7L V8 F/I - w/o Ram Air	33-2042 ♦	HP-2002
Firebird	5.7L V8 F/I - w/Ram Air	33-2035 ♦	HP-2002
Grand Am	2.4L L4 F/I	33-2068	HP-1007 ¹
Grand Am	3.1L V6 F/I	33-2068	HP-1001 ¹
Grand Prix	3.1L V6 F/I	33-2063-1	HP-1001 ¹
Grand Prix	3.8L V6 F/I	33-2063-1	HP-1001 ¹
Sunfire	2.2L L4 F/I	33-2143	HP-1001 ¹

1996 PONTIAC

Bonneville	3.8L V6 F/I	33-2086	HP-1001 ¹
Firebird	3.8L V6 F/I	33-2042	HP-1001 ¹
Firebird	5.7L V8 F/I		HP-2002 ¹
Firebird	5.7L V8 F/I - w/o Ram Air	33-2042 ♦	HP-2002
Firebird	5.7L V8 F/I - w/Ram Air	33-2035 ♦	HP-2002
Grand Am	2.4L L4 F/I	33-2068	HP-1007 ¹
Grand Prix	3.1L V6 F/I	33-2063-1	HP-1001 ¹
Sunfire	2.2L L4 F/I	33-2143	HP-1001 ¹
Sunfire	2.4L L4 F/I	33-2143	HP-1007 ¹

1995 PONTIAC

Bonneville	3.8L V6 F/I	33-2086	HP-1001 ¹
Firebird	3.4L V6 F/I	33-2042 ♦	HP-1001 ¹
Firebird	3.8L V6 F/I	33-2042	HP-1001 ¹
Firebird	5.7L V8 F/I		HP-2002 ¹
Firebird	5.7L V8 F/I - w/o Ram Air	33-2042 ♦	HP-2002
Grand Am	2.3L L4 F/I	33-2068	HP-1001 ¹
Grand Am	3.1L V6 F/I	33-2068	HP-1001 ¹
Grand Prix	3.1L V6 F/I	33-2063-1	HP-1001 ¹
Grand Prix	3.4L V6 F/I	33-2063-1	HP-2001 ¹
Sunfire	2.2L L4 F/I	33-2143	HP-1001 ¹

1994 PONTIAC

Bonneville	3.8L V6 F/I	33-2086	
Firebird	3.4L V6 F/I	33-2042 ♦	HP-1001 ¹
Firebird	5.7L V8 F/I		HP-2002 ¹
Firebird	5.7L V8 F/I - w/o Ram Air	33-2042 ♦	HP-2002
Grand Prix	3.1L V6 F/I	33-2063-1	HP-1001 ¹

1993 PONTIAC

Firebird	5.7L V8 F/I		HP-2002 ¹
Firebird	5.7L V8 F/I - w/o Ram Air	33-2042 ♦	HP-2002
Grand Am	3.3L V6 F/I	33-2022	

1992 PONTIAC

Bonneville	3.8L V6 F/I		HP-1001 ¹
Firebird	3.1L V6 F/I	E-0890	HP-2001 ¹
Firebird	5.0L V8 TBI	E-1450	HP-2002 ¹
Firebird	5.0L V8 TPI	E-0890	HP-2002 ¹
Firebird	5.7L V8 F/I	E-0890	HP-2002 ¹
Grand Am	2.3L L4 F/I	33-2022	
Grand Prix	3.1L V6 F/I	33-2038	HP-2001 ¹

1991 PONTIAC

Firebird	3.1L V6 F/I	E-0890	HP-2001 ¹
Firebird	5.0L V8 TBI	E-1450	HP-2002 ¹
Firebird	5.0L V8 TPI	E-0890	HP-2002 ¹
Firebird	5.7L V8 F/I	E-0890	HP-2002 ¹

1990 PONTIAC

Firebird	3.1L V6 F/I	E-0890	HP-2001 ¹
Firebird	5.0L V8 MFI	E-1450	HP-2002 ¹

* 2 filters required ♦ Intake System Available - see page 81 +Cabin Air Filter Available - see page 453 1- Pro Series Filter Available

AIR & OIL FILTERS

PONTIAC

Vehicle	Engine Type	Air Filter	Oil Filter
1990 PONTIAC			
Firebird	5.0L V8 TBI	E-0890	HP-2002 ¹
Firebird	5.7L V8 F/I	E-0890	HP-2002 ¹
1989 PONTIAC			
Bonneville	3.8L V6 F/I	33-2022	
Firebird	2.8L V6 F/I	E-0890	HP-2001 ¹
Firebird	3.8L V6 F/I	E-0870	HP-3002 ¹
Firebird	5.0L V8 MFI	E-0890	HP-2002 ¹
Firebird	5.0L V8 TBI	E-1450	HP-2002 ¹
Firebird	5.7L V8 F/I	E-0890	HP-2002 ¹
1988 PONTIAC			
Fiero	2.5L L4 F/I	E-1025	
Fiero	2.8L V6 F/I	E-0890	HP-2001 ¹
Firebird	2.8L V6 F/I	E-0890	HP-2001 ¹
Firebird	5.0L V8 MFI	E-0890	HP-2002 ¹
Firebird	5.0L V8 TBI	E-1450	HP-2002 ¹
Firebird	5.7L V8 F/I	E-0890	HP-2002 ¹
1987 PONTIAC			
Fiero	2.5L L4 F/I	E-1025	HP-2001 ¹
Fiero	2.8L V6 F/I	E-0890	HP-2001 ¹
Firebird	2.8L V6 F/I	E-0890	HP-1001 ¹
Firebird	5.0L V8 CARB	E-1450	HP-2002 ¹
Firebird	5.0L V8 F/I	E-0890	HP-2002 ¹
Firebird	5.7L V8 F/I	E-0890	HP-2002 ¹
1986 PONTIAC			
Fiero	2.5L L4 F/I	E-1025	HP-2001 ¹
Fiero	2.8L V6 F/I	E-0890	HP-2001 ¹
Firebird	2.8L V6 F/I	E-0890	HP-1001 ¹
Firebird	5.0L V8 CARB	E-1450	HP-2002 ¹
Firebird	5.0L V8 F/I	E-0890	HP-2002 ¹
Parisienne	5.0L V8 CARB	E-1500	
Parisienne	5.0L V8 CARB - VIN H	E-1500	HP-2002 ¹
Parisienne	5.0L V8 CARB - VIN Y	E-1500	HP-2006 ¹
1985 PONTIAC			
Fiero	2.5L L4 F/I	E-1025	
Fiero	2.8L V6 F/I	E-0890	HP-2001 ¹
Firebird	5.0L V8 CARB	E-1450	HP-2002 ¹
Firebird	5.0L V8 F/I	E-0890	HP-2002 ¹
1984 PONTIAC			
6000	4.3L V6 DSL	E-1577	
Fiero	2.5L L4 F/I	E-1025	HP-2001 ¹
Firebird	5.0L V8 CARB	E-1450	HP-2002 ¹
1983 PONTIAC			
Firebird	5.0L V8 CARB	E-1450	HP-2002 ¹
Firebird	5.0L V8 F/I	E-1117*	HP-2002 ¹
1982 PONTIAC			
Firebird	5.0L V8 CARB	E-1450	HP-2002 ¹
Firebird	5.0L V8 F/I	E-1117*	HP-2002 ¹
1981 PONTIAC			
Firebird	4.9L V8 CARB		HP-1001 ¹
Firebird	4.9L V8 CARB - Exc. Turbo	E-1410	HP-1001
Firebird	4.9L V8 CARB - Turbo	E-1430	HP-1001
Firebird	5.0L V8 CARB	E-1500	HP-2002 ¹
1980 PONTIAC			
Firebird	301 V8 CARB		HP-1001 ¹
Firebird	301 V8 CARB - w/o Ram Air	E-1450	HP-1001
Firebird	301 V8 CARB - w/Ram Air	E-1500	HP-1001
Firebird Trans Am	305 V8 CARB	E-1410	HP-2002 ¹

Vehicle	Engine Type	Air Filter	Oil Filter
1979 PONTIAC			
Firebird	301 V8 2 BBL.	E-1450	HP-1001 ¹
Firebird	301 V8 4 BBL.		HP-1001 ¹
Firebird	301 V8 4 BBL. - w/o Ram Air	E-1450	HP-1001
Firebird	301 V8 4 BBL. - w/Ram Air	E-1590	HP-1001
Firebird	350 V8 CARB	E-1500	HP-2002 ¹
Firebird	400 V8 CARB		HP-2003 ¹
Firebird	400 V8 CARB - w/o Ram Air	E-1650	HP-2003
Firebird	400 V8 CARB - w/Ram Air	E-1590	HP-2003
Firebird	403 V8 CARB		HP-2006 ¹
Firebird	403 V8 CARB - w/o Ram Air	E-1650	HP-2006
Firebird	403 V8 CARB - w/Ram Air	E-1590	HP-2006
1978 PONTIAC			
Firebird	350 V8 CARB	E-1500	HP-2002 ¹
Firebird	400 V8 CARB		HP-2003 ¹
Firebird	400 V8 CARB - w/o Ram Air	E-1650	HP-2003
Firebird	400 V8 CARB - w/Ram Air	E-1590	HP-2003
Firebird	403 V8 CARB		HP-2006 ¹
Firebird	403 V8 CARB - w/o Ram Air	E-1650	HP-2006
Firebird	403 V8 CARB - w/Ram Air	E-1590	HP-2006
1977 PONTIAC			
Firebird	350 V8 CARB	E-1650	
Firebird	400 V8 CARB		HP-2003 ¹
Firebird	400 V8 CARB - w/o Ram Air	E-1650	HP-2003
Firebird	400 V8 CARB - w/Ram Air	E-1590	HP-2003
Firebird	403 V8 CARB		HP-2003 ¹
Firebird	403 V8 CARB - w/o Ram Air	E-1650	HP-2003
Firebird	403 V8 CARB - w/Ram Air	E-1590	HP-2003
Grand Prix	400 V8 CARB	E-1650	HP-2003 ¹
Phoenix	350 V8 CARB - w/Oldsmobile Eng.	E-1650	HP-2003 ¹
Ventura	350 V8 CARB - VIN L	E-1500	
Ventura	350 V8 CARB - VIN R	E-1650	HP-2003 ¹
1976 PONTIAC			
Firebird	400 V8 CARB		HP-2003 ¹
Firebird	400 V8 CARB - w/o Ram Air	E-1650	HP-2003
Firebird	400 V8 CARB - w/Ram Air	E-1590	HP-2003
Firebird	455 V8 CARB		HP-2003 ¹
Firebird	455 V8 CARB - w/o Ram Air	E-1650	HP-2003
Firebird	455 V8 CARB - w/Ram Air	E-1590	HP-2003
1975 PONTIAC			
Firebird	350 V8 CARB	E-1650	
Firebird	400 V8 CARB		HP-2003 ¹
Firebird	400 V8 CARB - w/o Ram Air	E-1650	HP-2003
Firebird	400 V8 CARB - w/Ram Air	E-1590	HP-2003
Firebird	455 V8 CARB	E-1590	HP-2003 ¹
Grand Am	400 V8 CARB		HP-2003 ¹
Grandville	400 V8 CARB	E-1650	
1974 PONTIAC			
Firebird	350 V8 CARB	E-1650	

* 2 filters required ♦ Intake System Available - see page 81 +Cabin Air Filter Available - see page 453 1- Pro Series Filter Available

Partial Listing - Complete List of Vehicles and Applications at knfilters.com

PONTIAC

AIR & OIL FILTERS

Vehicle	Engine Type	Air Filter	Oil Filter
1974 PONTIAC			
Firebird	400 V8 CARB		HP-2003 ¹
Firebird	400 V8 CARB - w/o Ram Air	E-1650	HP-2003
Firebird	400 V8 CARB - w/Ram Air	E-1590	HP-2003
Firebird	455 V8 CARB		HP-2003 ¹
Firebird	455 V8 CARB - w/o Ram Air	E-1650	HP-2003
Firebird	455 V8 CARB - w/Ram Air	E-1590	HP-2003
LeMans	350 V8 2 BBL.		HP-2003 ¹
LeMans	350 V8 4 BBL.	E-1650	HP-2003 ¹
LeMans	350 V8 CARB		HP-2003 ¹
LeMans	350 V8 CARB - 4 BBL	E-1650	HP-2003
Ventura	350 V8 CARB		HP-2003 ¹
Ventura	350 V8 CARB - w/o Ram Air	E-1650	HP-2003

1973 PONTIAC			
Firebird	350 V8 CARB	E-1650	HP-2003 ¹
Firebird	400 V8 CARB		HP-2003 ¹
Firebird	400 V8 CARB - w/o Ram Air	E-1650	HP-2003
Firebird	400 V8 CARB - w/Ram Air	E-1590	HP-2003
Firebird	455 V8 CARB		HP-2003 ¹
Firebird	455 V8 CARB - w/o Ram Air	E-1650	HP-2003
Firebird	455 V8 CARB - w/Ram Air	E-1590	HP-2003
Ventura	350 V8 CARB	E-1650	HP-2003 ¹

1972 PONTIAC			
Firebird	400 V8 CARB		HP-2003 ¹
Firebird	400 V8 CARB - w/o Ram Air	E-1650	HP-2003
Firebird	400 V8 CARB - w/Ram Air	E-1590	HP-2003
Firebird	455 V8 CARB		HP-2003 ¹
Firebird	455 V8 CARB - w/o Ram Air	E-1650	HP-2003
Firebird	455 V8 CARB - w/Ram Air	E-1590	HP-2003
GTO	400 V8 CARB		HP-2003 ¹
GTO	400 V8 CARB - w/o Ram Air	E-1650	HP-2003
GTO	400 V8 CARB - w/Ram Air	E-1500	HP-2003
GTO	455 V8 CARB - w/o Ram Air	E-1650	
LeMans	350 V8 CARB	E-1220	HP-2003 ¹
LeMans	400 V8 2 BBL.		HP-2003 ¹
LeMans	400 V8 4 BBL.		HP-2003 ¹
LeMans	400 V8 4 BBL. - w/o Ram Air	E-1650	HP-2003

1971 PONTIAC			
Firebird	350 V8 CARB	E-1650	HP-2003 ¹
Firebird	400 V8 CARB		HP-2003 ¹
Firebird	400 V8 CARB - w/o Ram Air	E-1650	HP-2003
Firebird	455 V8 CARB	E-1650	HP-2003 ¹
Grand Prix	400 V8 4 BBL.	E-1650	
GTO	400 V8 CARB	E-1650	HP-2003 ¹
GTO	455 V8 CARB		HP-2003 ¹
GTO	455 V8 CARB - w/o Ram Air	E-1650	HP-2003
LeMans	350 V8 CARB		HP-2003 ¹
LeMans	455 V8 CARB - w/o Ram Air	E-1650	

1970 PONTIAC			
Firebird	400 V8 CARB		HP-2003 ¹

Vehicle	Engine Type	Air Filter	Oil Filter
1970 PONTIAC			
Firebird	400 V8 CARB - w/o Ram Air	E-1650	HP-2003
Firebird	400 V8 CARB - w/Ram Air	E-1590	HP-2003
GTO	400 V8 2 BBL.	E-1220	HP-2003 ¹
GTO	400 V8 4 BBL.		HP-2003 ¹
GTO	400 V8 4 BBL. - w/o Ram Air	E-1650	HP-2003
GTO	400 V8 4 BBL. - w/Ram Air	E-1590	HP-2003
GTO	455 V8 CARB		HP-2003 ¹
GTO	455 V8 CARB - w/o Ram Air	E-1650	HP-2003
GTO	455 V8 CARB - w/Ram Air	E-1590	HP-2003
LeMans	350 V8 CARB	E-1220	HP-2003 ¹

1969 PONTIAC			
Firebird	350 V8 CARB		HP-2003 ¹
Firebird	350 V8 CARB - w/o Ram Air	E-1650	HP-2003
Firebird	350 V8 CARB - w/Ram Air	E-1220	HP-2003
Firebird	400 V8 CARB		HP-2003 ¹
Firebird	400 V8 CARB - w/o Ram Air	E-1650	HP-2003
Firebird	400 V8 CARB - w/Ram Air	E-1220	HP-2003
Grand Prix	400 V8 2 BBL.	E-1220	HP-2003 ¹
Grand Prix	400 V8 2 BBL. - w/o Ram Air	E-1650	HP-2003
Grand Prix	400 V8 4 BBL.	E-1650	HP-2003 ¹
Grand Prix	428 V8 CARB		HP-2003 ¹
Grand Prix	428 V8 CARB - w/o Ram Air	E-1650	HP-2003
GTO	400 V8 2 BBL.	E-1220	HP-2003 ¹
GTO	400 V8 4 BBL.		HP-2003 ¹
GTO	400 V8 4 BBL. - w/o Ram Air	E-1650	HP-2003
GTO	400 V8 4 BBL. - w/Ram Air	E-1590	HP-2003

1968 PONTIAC			
Firebird	350 V8 2 BBL.	E-1220	HP-2003 ¹
Firebird	350 V8 4 BBL.	E-1650	HP-2003 ¹
Firebird	400 V8 2 BBL.	E-1220	HP-2003 ¹
Firebird	400 V8 4 BBL.	E-1650	HP-2003 ¹
GTO	400 V8 CARB	E-1650	HP-2003 ¹
LeMans	350 V8 2 BBL.		HP-2003 ¹
LeMans	350 V8 4 BBL.	E-1650	HP-2003 ¹

1967 PONTIAC			
Firebird	326 V8 CARB	E-1220	HP-2003 ¹
Firebird	400 V8 CARB	E-1650	HP-2003 ¹
GTO	400 V8 CARB	E-1650	HP-2003 ¹

1966 PONTIAC			
Catalina	389 V8 2 BBL.		HP-2003 ¹
Catalina	389 V8 4 BBL.		HP-2003 ¹
GTO	389 V8 CARB	E-3223	HP-2003 ¹

1965 PONTIAC			
GTO	389 V8 2 BBL.	E-3223	HP-2003 ¹
GTO	389 V8 3x2BBL.	E-1230	HP-2003 ¹
GTO	389 V8 4 BBL.	E-1520	HP-2003 ¹

1964 PONTIAC			
GTO	389 V8 CARB	E-1520	

1962 PONTIAC			
Grand Prix	389 V8 2 BBL.	E-1230	HP-2003 ¹
Grand Prix	389 V8 3x2BBL.	E-3223	HP-2003 ¹
Grand Prix	389 V8 4 BBL.	E-1520	HP-2003 ¹

* 2 filters required ♦ Intake System Available - see page 81 +Cabin Air Filter Available - see page 453 1- Pro Series Filter Available

AIR & OIL FILTERS

PORSCHE

Vehicle	Engine Type	Air Filter	Oil Filter
2015 PORSCHE			
911	3.4L H6 F/I		PS-7032
911	3.8L H6 F/I		PS-7032
918 Spyder	4.6L V8 F/I		PS-7011
Boxster	2.7L H6 F/I	E-0666*	PS-7036
Boxster	3.4L H6 F/I	E-0666*	PS-7036
Cayenne	3.0L V6 DSL	33-2857	
Cayenne	3.0L V6 F/I		PS-7015
Cayenne	4.8L V8 F/I		PS-7032
Cayman	2.7L H6 F/I	E-0666*	PS-7036
Cayman	3.4L H6 F/I	E-0666*	PS-7036
Macan	3.0L V6 F/I	E-0660*	PS-7032
Macan	3.6L V6 F/I	E-0660*	PS-7032
Panamera	3.6L V6 F/I		PS-7032
Panamera	4.8L V8 F/I		PS-7032

Vehicle	Engine Type	Air Filter	Oil Filter
2014 PORSCHE			
911	3.4L H6 F/I	33-2484	PS-7032
911	3.6L H6 F/I	33-2484	
911	3.8L H6 F/I	33-2484	PS-7032
911 Carrera	3.8L H6 F/I	33-2484	PS-7032
911 GT3	3.8L H6 F/I	33-2484	PS-7032
911 Turbo	3.8L H6 F/I		PS-7032
Boxster	2.7L H6 F/I	E-0666*	PS-7036
Boxster	3.4L H6 F/I	E-0666*	PS-7036
Cayenne	3.0L V6 DSL	33-2857	
Cayenne	3.0L V6 F/I	33-2857	PS-7015
Cayenne	3.6L V6 F/I	33-2857	
Cayenne	4.2L V8 DSL	33-2857*	
Cayenne	4.8L V8 F/I	33-2857*	PS-7032
Cayman	2.7L H6 F/I	E-0666*	PS-7036
Cayman	3.4L H6 F/I	E-0666*	PS-7036
Panamera	3.0L V6 F/I		PS-7032
Panamera	3.0L V8 F/I		PS-7032
Panamera	3.6L V6 F/I		PS-7032
Panamera	4.8L V8 F/I		PS-7032

Vehicle	Engine Type	Air Filter	Oil Filter
2013 PORSCHE			
911	3.4L H6 F/I	33-2484	PS-7032
911 Carrera	3.8L H6 F/I	33-2484	PS-7032
911 GT3	3.8L H6 F/I	33-2484	PS-7032
911 Turbo	3.8L H6 F/I		PS-7032
Boxster	2.7L H6 F/I	E-0666*	PS-7036
Boxster	3.4L H6 F/I	E-0666*	PS-7036
Cayenne	3.0L V6 DSL	33-2857	
Cayenne	3.0L V6 F/I	33-2857	PS-7015
Cayenne	3.6L V6 F/I	33-2857	
Cayenne	4.2L V8 DSL	33-2857*	
Cayenne	4.8L V8 F/I	33-2857*	PS-7032
Panamera	4.8L V8 F/I		PS-7032

Vehicle	Engine Type	Air Filter	Oil Filter
2012 PORSCHE			
911	3.4L H6 F/I	33-2484	
911	3.6L H6 F/I	E-1999	PS-7032
911	3.8L H6 F/I		PS-7032
911	3.8L H6 F/I - w/Panel Filter	33-2484	PS-7032
911	3.8L H6 F/I - w/Round Filter	E-1999	PS-7032
911 GT3 RSR	4.0L H6 F/I	33-5008	
Boxster	3.4L H6 F/I	E-2295	
Cayenne	3.0L V6 DSL	33-2857	
Cayenne	3.0L V6 F/I	33-2857	
Cayenne	3.0L V6 F/I - w/Hybrid	33-2857	PS-7015
Cayenne	3.6L V6 F/I	33-2857	
Cayenne	4.2L V8 DSL	33-2857*	
Cayenne	4.8L V8 F/I	33-2857*	PS-7032

Vehicle	Engine Type	Air Filter	Oil Filter
2012 PORSCHE			
Cayman	3.4L H6 F/I	E-2295	PS-7036
Panamera	3.6L V6 F/I		PS-7032
Panamera	4.8L V8 F/I		PS-7032
2011 PORSCHE			
911	3.6L H6 F/I		PS-7032
911	3.6L H6 F/I - Exc. Turbo	E-1999	PS-7032
911	3.8L H6 F/I	E-1999	PS-7032
911 GT3	3.8L H6 F/I		PS-7032
911 GT3 RSR	4.0L H6 F/I	33-5008	
911 Turbo	3.8L H6 F/I		PS-7032
Boxster	3.4L H6 F/I	E-2295	PS-7036
Cayenne	3.6L V6 F/I	33-2857	PS-7005
Cayenne	4.8L V8 F/I	33-2857*	PS-7032
Cayman	2.9L H6 F/I	E-2295	
Cayman	3.4L H6 F/I	E-2295	
Panamera	3.6L V6 F/I		PS-7032
Panamera	4.8L V8 F/I		PS-7032

Vehicle	Engine Type	Air Filter	Oil Filter
2010 PORSCHE			
911	3.6L H6 F/I	E-1999	PS-7032
911	3.8L H6 F/I	E-1999	PS-7032
911 GT3	3.8L H6 F/I		PS-7032
911 GT3 RSR	4.0L H6 F/I	33-5008	
911 Turbo	3.8L H6 F/I		PS-7032
Boxster	2.9L H6 F/I	E-2295	
Boxster	3.4L H6 F/I	E-2295	
Cayenne	3.6L V6 F/I	33-2857	
Cayenne	4.8L V8 F/I	33-2857*	
Cayman	2.9L H6 F/I	E-2295	
Cayman	3.4L H6 F/I	E-2295	PS-7036
Panamera	4.8L V8 F/I		PS-7032

Vehicle	Engine Type	Air Filter	Oil Filter
2009 PORSCHE			
911	3.6L H6 F/I		PS-7032
911	3.6L H6 F/I - Exc. Turbo	E-1999	PS-7032
911	3.8L H6 F/I	E-1999	PS-7032
Boxster	2.9L H6 F/I	E-2295	
Boxster	3.4L H6 F/I	E-2295	
Cayenne	3.6L V6 F/I	33-2857	PS-7005
Cayenne	4.8L V8 F/I	33-2857*	PS-7032
Cayman	2.9L H6 F/I	E-2295	PS-7036
Cayman	3.4L H6 F/I	E-2295	PS-7011

Vehicle	Engine Type	Air Filter	Oil Filter
2008 PORSCHE			
911	3.6L H6 F/I	33-2786	PS-7011
911	3.8L H6 F/I	33-2786	PS-7011
911 GT2	3.6L H6 F/I		PS-7011
911 GT3	3.6L H6 F/I		PS-7011
911 Turbo	3.6L H6 F/I		PS-7011
Boxster	2.7L H6 F/I	E-2295	PS-7011
Boxster	3.2L H6 F/I	E-2295	
Boxster	3.4L H6 F/I	E-2295	PS-7011
Cayenne	3.6L V6 F/I	33-2857	PS-7005
Cayenne	4.8L V8 F/I	33-2857*	PS-7032
Cayman	2.7L H6 F/I	E-2295	PS-7011
Cayman	3.4L H6 F/I	E-2295	PS-7011

Vehicle	Engine Type	Air Filter	Oil Filter
2007 PORSCHE			
911	3.6L H6 F/I		PS-7011
911	3.6L H6 F/I - Exc. Turbo	33-2786	PS-7011
911	3.8L H6 F/I	33-2786	PS-7011
911 GT3	3.6L H6 F/I		PS-7011
911 GT3 RSR	4.0L H6 F/I	33-5008	
Boxster	2.7L H6 F/I	E-2295	PS-7011
Boxster	3.2L H6 F/I	E-2295	
Boxster	3.4L H6 F/I	E-2295	PS-7011

* 2 filters required ♦ Intake System Available - see page 81 +Cabin Air Filter Available - see page 453 1- Pro Series Filter Available

Partial Listing - Complete List of Vehicles and Applications at knfilters.com

PORSCHE

AIR & OIL FILTERS

Vehicle	Engine Type	Air Filter	Oil Filter
---------	-------------	------------	------------

2007 PORSCHE

Cayman	2.7L H6 F/I	E-2295	PS-7011
Cayman	3.4L H6 F/I	E-2295	PS-7011

2006 PORSCHE

911	3.6L H6 F/I	33-2786	PS-7011
911	3.8L H6 F/I	33-2786	PS-7011
911 GT3 RSR	4.0L H6 F/I	33-5008	
Boxster	2.7L H6 F/I	E-2295	PS-7011
Boxster	3.2L H6 F/I	E-2295	PS-7011
Boxster	3.4L H6 F/I	E-2295	
Cayenne	3.2L V6 F/I	33-2857	PS-7005
Cayenne	4.5L V8 F/I	33-2857*	PS-7011
Cayman	3.4L H6 F/I	E-2295	PS-7011

2005 PORSCHE

911	3.4L H6 F/I	33-2786	
911	3.6L H6 F/I		PS-7011
911	3.6L H6 F/I - Exc. Turbo	33-2786 ♦	PS-7011
911	3.6L H6 F/I - Turbo	33-2189	PS-7011
911	3.8L H6 F/I	33-2786	PS-7011
911 GT3	3.6L H6 F/I	33-2786	PS-7011
Boxster	2.7L H6 F/I	E-2295	PS-7011
Boxster	3.2L H6 F/I	E-2295	PS-7011
Cayenne	3.2L V6 F/I	33-2857	PS-7005
Cayenne	4.5L V8 F/I	33-2857*	PS-7011

2004 PORSCHE

911	3.4L H6 F/I	33-2786	
911	3.6L H6 F/I		PS-7011
911	3.6L H6 F/I - Exc. Turbo	33-2786 ♦	PS-7011
911	3.6L H6 F/I - Turbo	33-2189	PS-7011
911	3.8L H6 F/I	33-2786	
911 GT3	3.6L H6 F/I	33-2786	PS-7011
Boxster	2.7L H6 F/I	33-2773	PS-7011
Boxster	3.2L H6 F/I		PS-7011
Boxster	3.2L H6 F/I - w/Panel Filter	33-2773	PS-7011
Boxster	3.2L H6 F/I - w/Round Filter	E-2295	PS-7011
Carrera 996	3.6L H6 F/I		PS-7011
Carrera 996	3.6L H6 F/I - Exc. Turbo	33-2786	PS-7011
Cayenne	3.2L V6 F/I	33-2857	PS-7005
Cayenne	4.5L V8 F/I	33-2857*	PS-7011

2003 PORSCHE

911	3.4L H6 F/I	33-2786	
911 Carrera	3.6L H6 F/I	33-2786 ♦	PS-7011
911 GT2	3.6L H6 F/I	33-2189	PS-7011
911 GT3	3.6L H6 F/I	33-2189	PS-7011
911 Turbo	3.6L H6 F/I	33-2189	PS-7011
Boxster	2.7L H6 F/I	33-2773	PS-7011
Boxster	3.2L H6 F/I	33-2773	PS-7011
Carrera 996	3.6L H6 F/I		PS-7011
Carrera 996	3.6L H6 F/I - Exc. Turbo	33-2786	PS-7011
Cayenne	4.5L V8 F/I	33-2857*	PS-7011

2002 PORSCHE

911	3.4L H6 F/I	33-2786	
911	3.6L H6 F/I	33-2786 ♦	PS-7011
911 Carrera	3.6L H6 F/I	33-2786 ♦	PS-7011
911 GT2	3.6L H6 F/I	33-2189	PS-7011
911 GT3	3.6L H6 F/I	33-2189	PS-7011
911 Turbo	3.6L H6 F/I	33-2189	PS-7011
Boxster	2.7L H6 F/I	33-2773	PS-7011
Boxster	3.2L H6 F/I	33-2773	PS-7011
Carrera 996	3.6L H6 F/I		PS-7011
Carrera 996	3.6L H6 F/I - Exc. Turbo	33-2786	PS-7011

Vehicle	Engine Type	Air Filter	Oil Filter
---------	-------------	------------	------------

2001 PORSCHE

911	3.4L H6 F/I	33-2786 ♦	PS-7011
911	3.6L H6 F/I - US	33-2189 ♦	
911 Carrera	3.6L H6 F/I	33-2786	PS-7011
911 GT2	3.6L H6 F/I	33-2189	PS-7011
911 GT3	3.6L H6 F/I	33-2189	PS-7011
911 Turbo	3.6L H6 F/I	33-2189	PS-7011
Boxster	2.7L H6 F/I	33-2773	PS-7011
Boxster	3.2L H6 F/I	33-2773	PS-7011
Carrera 996	3.4L H6 F/I	33-2786	PS-7011

2000 PORSCHE

911	3.4L H6 F/I	33-2786 ♦	PS-7011
911	3.6L H6 F/I	33-2189	PS-7011
Boxster	2.7L H6 F/I	33-2773	PS-7011
Boxster	3.2L H6 F/I	33-2773	PS-7011
Carrera 996	3.4L H6 F/I	33-2786	PS-7011

1999 PORSCHE

911	3.4L H6 F/I	33-2786 ♦	PS-7011
911	3.6L H6 F/I	33-2189	
Boxster	2.5L H6 F/I	33-2773	PS-7011
Boxster	2.7L H6 F/I	33-2773	PS-7011
Boxster	3.2L H6 F/I	33-2773	
Carrera 996	3.4L H6 F/I	33-2786	PS-7011

1998 PORSCHE

911	3.6L H6 F/I	33-2731	
Boxster	2.5L H6 F/I	33-2773	PS-7011

1997 PORSCHE

911	3.6L H6 F/I	33-2731	
911	3.8L H6 F/I	33-2731	
Boxster	2.5L H6 F/I	33-2773	PS-7011

1996 PORSCHE

911	3.6L H6 F/I	33-2731	
-----	-------------	---------	--

1995 PORSCHE

911	3.6L H6 F/I	33-2731	
911	3.8L H6 F/I	33-2731	
928	5.4L V8 F/I	33-2591	
968	3.0L L4 F/I	33-2722	

1994 PORSCHE

911	3.6L H6 F/I - Exc. Turbo	33-2077	
911	3.6L H6 F/I - Turbo	33-2077	
928	5.4L V8 F/I	33-2591	
968	3.0L L4 F/I	33-2722	HP-4001

1993 PORSCHE

911	3.6L H6 F/I - Exc. Turbo	33-2077	
911	3.6L H6 F/I - Turbo	33-2530	
968	3.0L L4 F/I	33-2722	

1992 PORSCHE

911	3.6L H6 F/I	33-2077	
968	3.0L L4 F/I	33-2722	

1991 PORSCHE

911	3.6L H6 F/I	33-2077	HP-4004
928	5.0L V8 F/I	33-2591	
944	3.0L L4 F/I	33-2807	HP-4001

1990 PORSCHE

911	3.6L H6 F/I	33-2077	HP-4004
928	5.0L V8 F/I	33-2591	
944	3.0L L4 F/I	33-2807	HP-4001

1989 PORSCHE

911	3.2L H6 F/I	33-2076	HP-4004
-----	-------------	---------	---------

* 2 filters required ♦ Intake System Available - see page 81 +Cabin Air Filter Available - see page 453 1- Pro Series Filter Available

AIR & OIL FILTERS

PORSCHE

Vehicle	Engine Type	Air Filter	Oil Filter
1989 PORSCHE			
911	3.6L H6 F/I	33-2077	
928	5.0L V8 F/I	33-2591	
944	2.5L L4 F/I		HP-4001
944	2.5L L4 F/I - Non-US, Exc. Turbo	33-2079	HP-4001
944	2.5L L4 F/I - Non-US, Turbo	33-2081	HP-4001
944	2.5L L4 F/I - US	33-2081	HP-4001
944	2.7L L4 F/I	33-2079	HP-4001
944	3.0L L4 F/I	33-2807	HP-4001
1988 PORSCHE			
911	3.2L H6 F/I	33-2076	HP-4004
924	2.5L L4 F/I	33-2079	HP-4001
928	5.0L V8 F/I	33-2591	
944	2.5L L4 F/I		HP-4001
944	2.5L L4 F/I - Exc. Turbo	33-2079	HP-4001
944	2.5L L4 F/I - Turbo	33-2081	HP-4001
944 S	2.5L L4 F/I	33-2640	HP-4001
1987 PORSCHE			
911	3.2L H6 F/I	33-2076	HP-4004
924	2.5L L4 F/I	33-2079	HP-4001
928	4.9L V8 F/I	33-2591	
928	5.0L V8 F/I	33-2591	
944	2.5L L4 F/I		HP-4001
944	2.5L L4 F/I - Exc. Turbo	33-2079	HP-4001
944	2.5L L4 F/I - Turbo	33-2081	HP-4001
944 S	2.5L L4 F/I	33-2640	
1986 PORSCHE			
911	3.2L H6 F/I	33-2076	HP-4004
928	5.0L V8 F/I	33-2591	
944	2.5L L4 F/I		HP-4001
944	2.5L L4 F/I - Exc. Turbo	33-2079	HP-4001
944	2.5L L4 F/I - Turbo	33-2081	HP-4001
944 S	2.5L L4 F/I	33-2640	
1985 PORSCHE			
911	3.2L H6 F/I	33-2076	HP-4004
911	3.2L H6 F/I - Turbo	33-2530	HP-4004
928	4.6L V8 F/I	33-2591	
928	4.7L V8 F/I	33-2591	
928	4.9L V8 F/I	33-2591	
928	5.0L V8 F/I	33-2591	
944	2.5L L4 F/I		HP-4001
944	2.5L L4 F/I - Non-US, Exc. Turbo	33-2079	HP-4001
944	2.5L L4 F/I - Non-US, Turbo	33-2081	HP-4001
944	2.5L L4 F/I - US	33-2079	HP-4001
1984 PORSCHE			
911	3.2L H6 F/I		HP-4004
911	3.2L H6 F/I - Exc. Turbo	33-2076	HP-4004
911	3.2L H6 F/I - Turbo	33-2530	HP-4004
928	4.7L V8 F/I	33-2591	
944	2.5L L4 F/I	33-2079	HP-4001
1983 PORSCHE			
911	3.0L H6 F/I	33-2004	HP-4004
928	4.7L V8 F/I	33-2591	
944	2.5L L4 F/I	33-2079	HP-4001
1982 PORSCHE			
911	3.0L H6 F/I	33-2004	HP-4004
928	4.4L V8 F/I	33-2591	
928	4.5L V8 F/I	33-2591	
928	4.6L V8 F/I	33-2591	

Vehicle	Engine Type	Air Filter	Oil Filter
1981 PORSCHE			
911	3.0L H6 F/I	33-2004	
928	4.4L V8 F/I	33-2591	
928	4.5L V8 F/I	33-2591	
1980 PORSCHE			
911	3.0L H6 F/I	33-2004	HP-4004
911	3.0L H6 F/I - Non-US, 180BHP	33-2530	HP-4004
911	3.0L H6 F/I - Non-US, Exc., 180BHP	33-2004	HP-4004
924	2.0L L4 F/I - Exc. Turbo	33-2003	
924	2.0L L4 F/I - Turbo	33-2570 ♦	
924 Carrera GT	2.0L L4 F/I	33-2570	
928	4.5L V8 F/I	33-2591	
1979 PORSCHE			
911	3.0L H6 F/I - Non-US, Exc., 180BHP	33-2004	
911	3.0L H6 F/I - US	33-2004	
928	4.5L V8 F/I	33-2591	
928	4.6L V8 F/I	33-2591	
1978 PORSCHE			
911	3.0L H6 F/I		HP-4004
911	3.0L H6 F/I - Non-US, 180BHP	33-2530	HP-4004
911	3.0L H6 F/I - Non-US, Exc., 180BHP	33-2004	HP-4004
911	3.0L H6 F/I - US	33-2004	HP-4004
924	2.0L L4 F/I - Non-US, Turbo	33-2570	
1977 PORSCHE			
911	2.7L H6 F/I	33-2004	HP-4004
911	3.0L H6 F/I - Non-US, Exc., 180BHP	33-2004	
911	3.0L H6 F/I - US	33-2004	
911 Carrera	2.7L H6 F/I	E-2380	
1976 PORSCHE			
911	2.7L H6 F/I	33-2004	
911	3.0L H6 F/I	33-2004	
1975 PORSCHE			
911	2.7L H6 F/I	33-2004	
911	3.0L H6 F/I	33-2004	
914	2.0L H4 F/I	33-2003	
1974 PORSCHE			
911	2.7L H6 F/I	33-2004	HP-4004
911 Carrera	2.7L H6 F/I		HP-4004
914	2.0L H4 F/I	33-2003	HP-2004 ¹
1973 PORSCHE			
911	2.4L H6 F/I	E-2380	HP-4004
914	1.7L H4 F/I		HP-2004 ¹
914	2.0L H4 F/I	33-2003	
1972 PORSCHE			
911	2.4L H6 F/I	E-2380	HP-4004
1971 PORSCHE			
911	2.2L H6 CARB	E-2380	HP-3001 ¹
911	2.2L H6 F/I	E-2380	HP-3001 ¹
1970 PORSCHE			
911	2.2L H6 CARB	E-2380	HP-3001 ¹
911	2.2L H6 F/I	E-2380	HP-3001 ¹
1969 PORSCHE			
911	2.0L H6 F/I	E-2380	HP-3001 ¹
912	1.6L H4 F/I	E-4490	

* 2 filters required ♦ Intake System Available - see page 81 +Cabin Air Filter Available - see page 453 1- Pro Series Filter Available

Partial Listing - Complete List of Vehicles and Applications at knfilters.com

PORSCHE

AIR & OIL FILTERS

Vehicle	Engine Type	Air Filter	Oil Filter
1968 PORSCHE			
912	1.6L H4 F/I	E-4490	
1967 PORSCHE			
912	97 H4 CARB	E-4490	
1966 PORSCHE			
912	97 H4 CARB	E-4490	
1965 PORSCHE			
356SC	97 H4 CARB	E-2290	
911	122 H6 CARB		HP-3001 ¹
912	97 H4 CARB	E-4490	
1964 PORSCHE			
356SC	97 H4 CARB	E-2290	
2016 RAM			
1500	5.7L V8 F/I	33-2247 ♦	
2500	6.7L L6 DSL	33-5005 ♦	
2015 RAM			
1500	3.0L V6 DSL	33-2247 ♦	
1500	3.6L V6 F/I	33-2247	PS-7026
1500	5.7L V8 F/I	33-2247 ♦	HP-1017 ¹
2500	5.7L V8 F/I	33-2247 ♦	HP-1017 ¹
2500	6.4L V8 F/I	33-2247 ♦	HP-1017 ¹
2500	6.7L L6 DSL	33-5005 ♦	HP-4003 ¹
3500	5.7L V8 F/I	33-2247	HP-1017 ¹
3500	6.4L V8 F/I	33-2247 ♦	HP-1017 ¹
3500	6.7L L6 DSL	33-5005 ♦	HP-4003 ¹
4500	6.7L L6 DSL	33-5005	HP-4003 ¹
5500	6.4L V8 F/I	33-2247	
5500	6.7L L6 DSL	33-5005	HP-4003 ¹
Cargo Van	3.6L V6 F/I	33-2462 ⁺	
ProMaster 1500	3.6L V6 F/I		PS-7026
ProMaster 2500	3.6L V6 F/I		PS-7026
ProMaster 3500	3.6L V6 F/I		PS-7026
ProMaster City	2.4L L4 F/I		HP-1017 ¹
2014 RAM			
1500	3.0L V6 DSL	33-2247	
1500	3.6L V6 F/I	33-2247 ♦	PS-7026
1500	4.7L V8 F/I		HP-2010 ¹
1500	5.7L V8 F/I	33-2247 ♦	HP-1017 ¹
2500	5.7L V8 F/I	33-2247 ♦	HP-1017 ¹
2500	6.4L V8 F/I	33-2247 ♦	HP-1017 ¹
2500	6.7L L6 DSL	33-5005 ♦	HP-4003 ¹
3500	5.7L V8 F/I	33-2247	HP-1017 ¹
3500	6.4L V8 F/I	33-2247 ♦	HP-1017 ¹
3500	6.7L L6 DSL	33-5005 ♦	HP-4003 ¹
4500	6.7L L6 DSL	33-5005	HP-4003 ¹
5500	6.7L L6 DSL	33-5005	HP-4003 ¹
Cargo Van	3.6L V6 F/I	33-2462 ⁺	PS-7026
ProMaster 1500	3.6L V6 F/I		PS-7026
ProMaster 2500	3.6L V6 F/I		PS-7026
ProMaster 3500	3.6L V6 F/I		PS-7026
Ram	5.7L V8 F/I	33-2247	HP-1017 ¹
Ram Pickup	3.6L V6 F/I	33-2247	
Ram Pickup	5.7L V8 F/I	33-2247	HP-1017 ¹
2013 RAM			
1500	3.6L V6 F/I	33-2247 ♦	PS-7025
1500	4.7L V8 F/I	33-2247	HP-2010 ¹
1500	5.7L V8 F/I	33-2247 ♦	HP-1017 ¹
2500	5.7L V8 F/I	33-2247 ♦	HP-1017 ¹
2500	6.7L L6 DSL	33-5005 ♦	HP-4003 ¹
3500	5.7L V8 F/I	33-2247	HP-1017 ¹
3500	6.7L L6 DSL	33-5005 ♦	HP-4003 ¹

Vehicle	Engine Type	Air Filter	Oil Filter
2013 RAM			
4500	6.7L L6 DSL	33-5005	
5500	6.7L L6 DSL	33-5005	HP-4003 ¹
Cargo Van	3.6L V6 F/I	33-2462 ⁺	
Ram	5.7L V8 F/I	33-2247	HP-1017 ¹
Ram	6.7L L6 DSL	33-5005	HP-4003 ¹
Ram Pickup	4.7L V8 F/I	33-2247	HP-2010 ¹
Ram Pickup	5.7L V8 F/I	33-2247	HP-1017 ¹
2012 RAM			
1500	3.7L V6 F/I	33-2247	HP-2011 ¹
1500	4.7L V8 F/I	33-2247 ♦	HP-2010 ¹
1500	5.7L V8 F/I	33-2247 ♦	HP-2010 ¹
2500	5.7L V8 F/I	33-2247	HP-2010 ¹
2500	6.7L L6 DSL	E-0787 ♦	HP-4003 ¹
3500	5.7L V8 F/I	33-2247	HP-2010 ¹
3500	6.7L L6 DSL	E-0787 ♦	HP-4003 ¹
5500	6.7L L6 DSL	E-0787	HP-4003 ¹
Cargo Van	3.6L V6 F/I	33-2462 ⁺	
Ram	5.7L V8 F/I	33-2247	HP-2010 ¹
Ram	6.7L L6 DSL	E-0787	HP-4003 ¹
Ram Pickup	3.7L V6 F/I	33-2247	
Ram Pickup	4.7L V8 F/I	33-2247	HP-2010 ¹
Ram Pickup	5.7L V8 F/I	33-2247	HP-2010 ¹
Ram Pickup	6.7L L6 DSL	E-0787	HP-4003 ¹
2011 RAM			
1500	3.7L V6 F/I	33-2247 ♦	HP-2011 ¹
1500	4.7L V8 F/I	33-2247 ♦	HP-2010 ¹
1500	5.7L V8 F/I	33-2247 ♦	HP-2010 ¹
2500	5.7L V8 F/I	33-2247	HP-2010 ¹
2500	6.7L L6 DSL	E-0787 ♦	HP-4003 ¹
3500	5.7L V8 F/I	33-2247	
3500	6.7L L6 DSL	E-0787 ♦	HP-4003 ¹
4500	6.7L L6 DSL	E-0787	
5500	6.7L L6 DSL	E-0787	HP-4003 ¹
Dakota	3.7L V6 F/I	33-2175	HP-2011 ¹
Dakota	4.7L V8 F/I	33-2175	HP-2010 ¹
Ram Pickup	5.7L V8 F/I	33-2247	HP-2010 ¹
Ram Pickup	6.7L L6 DSL	E-0787	HP-4003 ¹
2010 RAM			
Dakota	3.7L V6 F/I	33-2175	
Ram Pickup	3.7L V6 F/I	33-2247 ♦	
Ram Pickup	4.7L V8 F/I	33-2247	HP-2010 ¹
Ram Pickup	5.7L V8 F/I	33-2247	HP-2010 ¹
Ram Pickup	6.7L L6 DSL	E-0787	HP-4003 ¹
2015 RENAULT			
Clio IV	1.2L L4 F/I - Turbo	33-3007	
Clio IV	1.5L L4 DSL	33-3007	
Clio IV	1.6L L4 F/I	33-3007	
2014 RENAULT			
Clio IV	0.9L L3 F/I	33-3007	
Clio IV	1.6L L4 F/I	33-3007	
2013 RENAULT			
Clio IV	1.6L L4 F/I	33-3007	
Megane III	1.2L L4 F/I	33-2849	
Megane III	2.0L L4 DSL	33-2849	
Megane III	2.0L L4 F/I - Exc. Auto. Trans.	33-2849 ♦	
2012 RENAULT			
Megane III	2.0L L4 DSL	33-2849	
Megane III	2.0L L4 F/I - Exc. Auto. Trans.	33-2849 ♦	

* 2 filters required ♦ Intake System Available - see page 81 +Cabin Air Filter Available - see page 453 1- Pro Series Filter Available

AIR & OIL FILTERS

RENAULT

Vehicle	Engine Type	Air Filter	Oil Filter
2011 RENAULT			
Kangoo	1.5L L4 DSL	33-2849	
Megane III	2.0L L4 DSL	33-2849	
Megane III	2.0L L4 F/I - Exc. Auto. Trans.	33-2849 ♦	
2010 RENAULT			
Clio III	1.2L L4 F/I - Exc. Turbo	33-2925 ♦	
Clio III	1.2L L4 F/I - Turbo	33-2927 ♦	
2009 RENAULT			
Clio III	2.0L L4 F/I	33-2927 ♦	
Megane II	2.0L L4 DSL	33-2849	
Megane III	1.5L L4 DSL	33-2849	
Megane III	2.0L L4 DSL	33-2849	
Megane III	2.0L L4 F/I - Exc. Auto. Trans.	33-2849 ♦	
2008 RENAULT			
Clio III	1.2L L4 F/I - 101BHP	33-2927 ♦	
Clio III	1.2L L4 F/I - Exc., 101BHP	33-2925 ♦	
Megane II	1.5L L4 DSL	33-2849	
Megane II	2.0L L4 DSL	33-2849	
Megane II	2.0L L4 F/I	33-2849 ♦	
Megane III	1.5L L4 DSL	33-2849	
Megane III	2.0L L4 F/I - Exc., 180BHP	33-2849	
2007 RENAULT			
Clio III	2.0L L4 F/I	33-2927 ♦	
Megane II	2.0L L4 DSL	33-2849	
Megane II	2.0L L4 F/I	33-2849 ♦	
2006 RENAULT			
Megane II	1.9L L4 DSL	33-2849	
Twingo	1.2L L4 F/I - 60BHP	33-2925 ♦	
2005 RENAULT			
Clio II	1.6L L4 F/I - 16v	33-2194 ♦	
Clio III	2.0L L4 F/I	33-2927 ♦	
Megane II	2.0L L4 DSL	33-2849	
Megane II	2.0L L4 F/I	33-2849 ♦	
Twingo	1.2L L4 F/I - 54/58BHP	E-9238 ♦	
Twingo	1.2L L4 F/I - 60BHP	33-2925 ♦	
Twingo	1.2L L4 F/I - 75BHP	33-2860 ♦	
2004 RENAULT			
Clio II	1.5L L4 DSL	33-2864 ♦	
Clio II	1.6L L4 F/I - 16v	33-2194 ♦	
Clio II	1.6L L4 F/I - 8v	33-2673 ♦	
Clio II	2.0L L4 F/I	33-2863 ♦	
Megane II	1.6L L4 F/I	33-2849 ♦	
Scenic II	1.4L L4 F/I	33-2194	
2003 RENAULT			
Clio	1.6L L4 F/I - 16v	33-2194	
Clio	2.0L L4 F/I	33-2863	
Clio II	1.6L L4 F/I - 16v	33-2194 ♦	
Clio II	1.6L L4 F/I - 8v	33-2673 ♦	
Clio II	2.0L L4 F/I	33-2863 ♦	
2002 RENAULT			
Clio II	2.0L L4 F/I	33-2863 ♦	
2000 RENAULT			
Megane I	1.6L L4 F/I - 107BHP	33-2194	
1999 RENAULT			
Laguna I	1.9L L4 DSL	33-2215	
1998 RENAULT			
Megane I	2.0L L4 F/I - 147BHP	E-9138 ♦	

Vehicle	Engine Type	Air Filter	Oil Filter
1998 RENAULT			
Megane I	2.0L L4 F/I - Exc., 147BHP	E-9130 ♦	
1984 RENAULT			
Trafic	2.1L L4 DSL - 254mm high	E-9131	
Trafic	2.1L L4 DSL - 310mm high	E-9099	
1978 RENAULT			
R30	2.7L V6 F/I	33-2726	
2013 ROYAL ENFIELD			
Bullet B5	499	RO-5010	
Bullet C5	499	RO-5010	
Bullet G5	499	RO-5010	
2012 ROYAL ENFIELD			
Bullet B5	499	RO-5010	
Bullet C5	499	RO-5010	
Bullet G5	499	RO-5010	
2011 ROYAL ENFIELD			
Bullet B5	499	RO-5010	
Bullet C5	499	RO-5010	
2010 ROYAL ENFIELD			
Bullet C5	499	RO-5010	
Bullet G5	499	RO-5010	
2009 ROYAL ENFIELD			
Bullet C5	499	RO-5010	
Bullet G5	499	RO-5010	
2011 SAAB			
9-3	2.0L L4 F/I	33-2337	PS-7000
9-3X	2.0L L4 F/I		PS-7000
9-5	2.0L L4 DSL	33-2962	
9-5	2.0L L4 F/I	33-2962+	PS-7000
9-5	2.8L V6 F/I	33-2962+	PS-7003
2010 SAAB			
9-3	2.0L L4 F/I	33-2337	PS-7000
9-3X	2.0L L4 F/I	33-2337	PS-7000
9-5	2.8L V6 F/I	33-2962+	PS-7003
2009 SAAB			
9-3	1.9L L4 DSL	33-2337	
9-3	2.0L L4 F/I	33-2337	PS-7000
9-3	2.8L V6 F/I	33-2337	PS-7003
9-5	2.3L L4 F/I	E-2455	HP-1002'
9-7x	4.2L L6 F/I	E-1009	HP-1006'
9-7x	5.3L V8 F/I	E-1009	HP-1017'
9-7x	6.0L V8 F/I	E-1009	HP-1017'
2008 SAAB			
9-3	2.0L L4 F/I	33-2337	PS-7000
9-3	2.8L V6 F/I	33-2337	PS-7003
9-5	2.3L L4 F/I	E-2455	HP-1002'
9-7x	4.2L L6 F/I	E-1009	HP-1006'
9-7x	5.3L V8 F/I	E-1009	HP-1017'
9-7x	6.0L V8 F/I	E-1009	HP-1017'
2007 SAAB			
9-3	2.0L L4 F/I	33-2337	PS-7000
9-3	2.8L V6 F/I	33-2337	PS-7003
9-5	2.3L L4 F/I	E-2455	HP-1002'
9-7x	4.2L L6 F/I	E-1009	HP-1006'
9-7x	5.3L V8 F/I	E-1009	HP-1017'
2006 SAAB			
9-2X	2.5L H4 F/I	33-2336	HP-1008'
9-3	1.9L L4 DSL	33-2337	

* 2 filters required ♦ Intake System Available - see page 81 +Cabin Air Filter Available - see page 453 1- Pro Series Filter Available

Partial Listing - Complete List of Vehicles and Applications at knfilters.com

SAAB

AIR & OIL FILTERS

Vehicle	Engine Type	Air Filter	Oil Filter	Vehicle	Engine Type	Air Filter	Oil Filter
2006 SAAB				2000 SAAB			
9-3	2.0L L4 F/I	33-2337	PS-7000	9-3	2.0L L4 F/I - OEM 4236030	33-2166 ♦	HP-1002
9-3	2.8L V6 F/I	33-2337	PS-7003	9-3	2.0L L4 F/I - OEM 4876074	33-2165 ♦	HP-1002
9-5	2.3L L4 F/I	E-2455	HP-1002 ¹	9-3	2.3L L4 F/I	33-2165	HP-1002 ¹
9-7x	4.2L L6 F/I	E-1009	HP-2006 ¹	9-5	2.0L L4 F/I	E-2455	
9-7x	5.3L V8 F/I	E-1009	HP-1007 ¹	9-5	2.3L L4 F/I	E-2455	HP-1002 ¹
2005 SAAB				9-5	3.0L V6 F/I	E-2455	HP-1002 ¹
9-2X	2.0L H4 F/I	33-2336	HP-1008 ¹	1999 SAAB			
9-2X	2.5L H4 F/I	33-2336	HP-1008 ¹	9-3	2.0L L4 F/I		HP-1002 ¹
9-3	1.8L L4 F/I	33-2337		9-3	2.0L L4 F/I - OEM 4236030	33-2166 ♦	HP-1002
9-3	1.8L L4 F/I - Turbo	33-2337	PS-7000	9-3	2.0L L4 F/I - OEM 4876074	33-2165 ♦	HP-1002
9-3	1.9L L4 DSL	33-2337		9-3	2.2L L4 DSL	33-2858	
9-3	2.0L L4 F/I	33-2337	PS-7000	9-5	2.0L L4 F/I	E-2455	
9-3	2.8L V6 F/I	33-2337		9-5	2.3L L4 F/I	E-2455	HP-1002 ¹
9-5	2.3L L4 F/I	E-2455	HP-1002 ¹	9-5	3.0L V6 F/I	E-2455	
9-7x	4.2L L6 F/I	E-1009		1998 SAAB			
9-7x	5.3L V8 F/I	E-1009		900	2.0L L4 F/I	33-2663	HP-1002 ¹
2004 SAAB				900 II	2.0L L4 F/I	33-2663	HP-1002 ¹
9-3	1.8L L4 F/I	33-2337		9000	2.0L L4 F/I - w/Panel Filter	33-2020	
9-3	1.8L L4 F/I - Turbo	33-2337	PS-7000	9000	2.0L L4 F/I - w/Round Filter	E-9060	
9-3	1.9L L4 DSL	33-2337		9000	2.3L L4 F/I	E-9060	HP-1002 ¹
9-3	2.0L L4 F/I	33-2337	PS-7000	1997 SAAB			
9-3	2.2L L4 DSL	33-2337		900	2.0L L4 F/I	33-2166	HP-1002 ¹
9-5	2.0L L4 F/I	E-2455 ♦		900	2.3L L4 F/I	33-2166	HP-1002 ¹
9-5	2.3L L4 F/I	E-2455	HP-1002 ¹	900 II	2.0L L4 F/I	33-2663	HP-1002 ¹
2003 SAAB				900 II	2.3L L4 F/I	33-2663	HP-1002 ¹
9-3	1.8L L4 F/I	33-2337		9000	2.0L L4 F/I - w/Panel Filter	33-2020	
9-3	1.8L L4 F/I - Turbo	33-2337	PS-7000	9000	2.0L L4 F/I - w/Round Filter	E-9060	
9-3	2.0L L4 F/I - Non-US	33-2337		9000	2.3L L4 F/I	E-9060	HP-1002 ¹
9-3	2.0L L4 F/I - Non-US, Convertible		HP-1002 ¹	1996 SAAB			
9-3	2.0L L4 F/I - Non-US, Sedan	33-2165	HP-1002 ¹	900 II	2.0L L4 F/I	33-2663	HP-1002 ¹
9-3	2.0L L4 F/I - US, Convertible	33-2337	PS-7000	9000	2.3L L4 F/I	E-9060	HP-1002 ¹
9-3	2.0L L4 F/I - US, Sedan	33-2337	PS-7000	1995 SAAB			
9-3	2.2L L4 DSL	33-2337		900	2.0L L4 F/I	33-2663	HP-1002 ¹
9-5	2.0L L4 F/I	E-2455 ♦		900	2.3L L4 F/I	33-2663	HP-1002 ¹
9-5	2.3L L4 F/I	E-2455	HP-1002 ¹	900	2.5L V6 F/I	33-2080	
9-5	3.0L V6 F/I	E-2455	HP-1002 ¹	900 II	2.0L L4 F/I	33-2663	HP-1002 ¹
2002 SAAB				900 II	2.3L L4 F/I	33-2663	HP-1002 ¹
9-3	2.0L L4 F/I - Non-US		PS-7000	9000	2.5L V6 F/I	33-2080	
9-3	2.0L L4 F/I - Non-US, from 8/02	33-2337 ♦		9000	2.0L L4 F/I - w/Panel Filter	33-2020	
9-3	2.0L L4 F/I - Non-US, OEM 4236030, to 7/02	33-2166 ♦		9000	2.0L L4 F/I - w/Round Filter	E-9060	
9-3	2.0L L4 F/I - Non-US, OEM 4876074, to 7/02	33-2165 ♦		9000	2.3L L4 F/I	E-9060	HP-1002 ¹
9-3	2.0L L4 F/I - US	33-2165	HP-1002 ¹	1993 SAAB			
9-3	2.3L L4 F/I	33-2165	HP-1002 ¹	900	2.0L L4 F/I	E-2457	HP-1002 ¹
9-5	2.3L L4 F/I	E-2455	HP-1002 ¹	900	2.1L L4 F/I	E-9140	HP-1002 ¹
9-5	3.0L V6 F/I	E-2455	HP-1002 ¹	900 I	2.0L L4 F/I - 16v	E-2457 ♦	
2001 SAAB				900 I	2.0L L4 F/I - 8v	E-2450 ♦	
9-3	2.0L L4 F/I		HP-1002 ¹	900 I	2.1L L4 F/I	E-9140	HP-1002 ¹
9-3	2.0L L4 F/I - OEM 4236030	33-2166 ♦	HP-1002	900 II	2.0L L4 F/I	33-2663	HP-1002 ¹
9-3	2.0L L4 F/I - OEM 4876074	33-2165 ♦	HP-1002	9000	2.0L L4 F/I - w/Round Filter	E-9060	
9-3	2.0L L4 F/I - US	33-2165	HP-1002	1991 SAAB			
9-3	2.3L L4 F/I	33-2165	HP-1002 ¹	900	2.0L L4 F/I	E-2457	HP-1002 ¹
9-5	2.0L L4 F/I	E-2455 ♦		900 I	2.0L L4 F/I - 16v	E-2457 ♦	
9-5	2.3L L4 F/I	E-2455	HP-1002 ¹				
9-5	3.0L V6 F/I	E-2455	HP-1002 ¹				
2000 SAAB							
9-3	2.0L L4 F/I		HP-1002 ¹				

* 2 filters required ♦ Intake System Available - see page 81 +Cabin Air Filter Available - see page 453 1- Pro Series Filter Available

AIR & OIL FILTERS

SAAB

Vehicle	Engine Type	Air Filter	Oil Filter
1989 SAAB			
900	2.0L L4 F/I		HP-1002 ¹
900	2.0L L4 F/I - DOHC	E-2457	HP-1002
900	2.0L L4 F/I - SOHC	E-2450	HP-1002
900 I	2.0L L4 F/I		HP-1002 ¹
900 I	2.0L L4 F/I - 16v	E-2457 ♦	HP-1002
900 I	2.0L L4 F/I - 8v	E-2450 ♦	HP-1002
9000	2.0L L4 F/I		HP-1002 ¹
9000	2.0L L4 F/I - Non-US, w/Panel Filter	33-2020	HP-1002
9000	2.0L L4 F/I - Non-US, w/Round Filter	E-9060	HP-1002
9000	2.0L L4 F/I - US	E-9060	HP-1002

1988 SAAB			
900	2.0L L4 F/I		HP-1002 ¹
900	2.0L L4 F/I - Exc. Turbo	E-2450	HP-1002
900	2.0L L4 F/I - Turbo	E-2457	HP-1002
900 I	2.0L L4 F/I		HP-1002 ¹
900 I	2.0L L4 F/I - 16v	E-2457 ♦	HP-1002
900 I	2.0L L4 F/I - 8v	E-2450 ♦	HP-1002
9000	2.0L L4 F/I		HP-1002 ¹
9000	2.0L L4 F/I - Non-US, w/Panel Filter	33-2020	HP-1002
9000	2.0L L4 F/I - Non-US, w/Round Filter	E-9060	HP-1002
9000	2.0L L4 F/I - US, Exc. Turbo	33-2020	HP-1002
9000	2.0L L4 F/I - US, Turbo	E-9060	HP-1002

1987 SAAB			
900 I	2.0L L4 F/I		HP-1002 ¹
900 I	2.0L L4 F/I - 16v	E-2457	HP-1002
9000	2.0L L4 F/I		HP-1002 ¹

2010 SATURN			
Outlook	3.6L V6 F/I	33-2394+	

2009 SATURN			
Astra	1.8L L4 F/I		PS-7027
Aura	2.4L L4 F/I	33-2249	PS-7000
Aura	3.6L V6 F/I	33-2249	HP-1017 ¹
Outlook	3.6L V6 F/I	33-2394+	HP-1017 ¹
Sky	2.0L L4 F/I	33-2369	PS-7000
Sky	2.4L L4 F/I	33-2349 ♦	PS-7000
Vue	2.4L L4 F/I	33-2404+	PS-7000
Vue	3.5L V6 F/I	33-2404	HP-2006 ¹
Vue	3.6L V6 F/I	33-2404	HP-1017 ¹

2008 SATURN			
Astra	1.8L L4 F/I	33-2787 ♦	PS-7027
Aura	2.4L L4 F/I	33-2249	PS-7000
Aura	3.5L V6 F/I	33-2249	HP-2006 ¹
Aura	3.6L V6 F/I	33-2249	HP-1017 ¹
Outlook	3.6L V6 F/I	33-2394+	HP-1017 ¹
Sky	2.0L L4 F/I	33-2369 ♦	PS-7000
Sky	2.4L L4 F/I	33-2349 ♦	PS-7000
Vue	2.4L L4 F/I	33-2404+	PS-7000
Vue	3.5L V6 F/I	33-2404	HP-2006 ¹
Vue	3.6L V6 F/I	33-2404	HP-1017 ¹

2007 SATURN			
Aura	3.5L V6 F/I	33-2249	HP-2006 ¹
Aura	3.6L V6 F/I	33-2249	HP-1017 ¹
Ion	2.0L L4 F/I	E-0774+	PS-7000
Ion	2.2L L4 F/I	33-2358	PS-7000
Ion	2.4L L4 F/I	33-2358	PS-7000
Outlook	3.6L V6 F/I	33-2394+	HP-1017 ¹
Sky	2.0L L4 F/I	33-2369	PS-7000
Sky	2.4L L4 F/I	33-2349 ♦	PS-7000

Vehicle	Engine Type	Air Filter	Oil Filter
2007 SATURN			
Vue	2.2L L4 F/I	33-2249	PS-7000
Vue	2.4L L4 F/I	33-2249	PS-7000
Vue	3.5L V6 F/I	33-2249 ♦	HP-1010 ¹

2006 SATURN			
Ion	2.0L L4 F/I	E-0774 ♦+	PS-7000
Ion	2.2L L4 F/I	33-2358	PS-7000
Ion	2.4L L4 F/I	33-2358	PS-7000
Vue	2.2L L4 F/I	33-2249	PS-7000
Vue	3.5L V6 F/I	33-2249 ♦	HP-1010 ¹

2005 SATURN			
Ion	2.0L L4 F/I	E-0774 ♦+	PS-7000
Ion	2.2L L4 F/I	33-2275	PS-7000
L300	3.0L V6 F/I	33-2160	PS-7001
Relay	3.5L V6 F/I	33-2318	HP-1001 ¹
Vue	2.2L L4 F/I	33-2249	PS-7000
Vue	3.5L V6 F/I	33-2249 ♦	HP-1010 ¹

2004 SATURN			
Ion	2.0L L4 F/I	E-0774 ♦+	PS-7000
Ion	2.2L L4 F/I	33-2275	PS-7000
L300	3.0L V6 F/I	33-2160	PS-7001
Vue	2.2L L4 F/I	33-2249	PS-7000
Vue	3.5L V6 F/I	33-2249 ♦	HP-1010 ¹

2003 SATURN			
Ion	2.2L L4 F/I	33-2275	PS-7000
L200	2.2L L4 F/I	33-2160	PS-7000
L300	3.0L V6 F/I	33-2160	PS-7001
Vue	2.2L L4 F/I	33-2249	PS-7000
Vue	3.0L V6 F/I	33-2249	PS-7001

2002 SATURN			
L100	2.2L L4 F/I	33-2160	PS-7000
L200	2.2L L4 F/I	33-2160	PS-7000
L300	3.0L V6 F/I	33-2160	PS-7001
LW200	2.2L L4 F/I	33-2160	
SC1	1.9L L4 F/I	33-2055	HP-1002 ¹
SC2	1.9L L4 F/I	33-2055	HP-1002 ¹
SL	1.9L L4 F/I	33-2055	HP-1002 ¹
SL1	1.9L L4 F/I	33-2055	HP-1002 ¹
SL2	1.9L L4 F/I	33-2055	HP-1002 ¹
Vue	2.2L L4 F/I	33-2249	PS-7000
Vue	3.0L V6 F/I	33-2249	PS-7001

2001 SATURN			
L100	2.2L L4 F/I	33-2160	PS-7000
L200	2.2L L4 F/I	33-2160	PS-7000
L300	3.0L V6 F/I	33-2160	PS-7001
LW300	3.0L V6 F/I	33-2160	
SC1	1.9L L4 F/I	33-2055	HP-1002 ¹
SC2	1.9L L4 F/I	33-2055	HP-1002 ¹
SL1	1.9L L4 F/I	33-2055	HP-1002 ¹
SL2	1.9L L4 F/I	33-2055	HP-1002 ¹

2000 SATURN			
LS	2.2L L4 F/I	33-2160	PS-7000
LS1	2.2L L4 F/I	33-2160	PS-7000
LS2	3.0L V6 F/I	33-2160	PS-7001
SC1	1.9L L4 F/I	33-2055	HP-1002 ¹
SC2	1.9L L4 F/I	33-2055	HP-1002 ¹
SL1	1.9L L4 F/I	33-2055	HP-1002 ¹
SL2	1.9L L4 F/I	33-2055	HP-1002 ¹

1999 SATURN			
SC1	1.9L L4 F/I	33-2055	HP-1002 ¹
SC2	1.9L L4 F/I	33-2055	HP-1002 ¹

* 2 filters required ♦ Intake System Available - see page 81 +Cabin Air Filter Available - see page 453 1- Pro Series Filter Available

SATURN

AIR & OIL FILTERS

Vehicle	Engine Type	Air Filter	Oil Filter
1999 SATURN			
SL	1.9L L4 F/I	33-2055	HP-1002 ¹
SL1	1.9L L4 F/I	33-2055	HP-1002 ¹
SL2	1.9L L4 F/I	33-2055	HP-1002 ¹
SW1	1.9L L4 F/I	33-2055	HP-1002 ¹
1998 SATURN			
SC1	1.9L L4 F/I	33-2055	HP-1002 ¹
SC2	1.9L L4 F/I	33-2055	HP-1002 ¹
SL	1.9L L4 F/I	33-2055	HP-1002 ¹
SL1	1.9L L4 F/I	33-2055	HP-1002 ¹
SL2	1.9L L4 F/I	33-2055	HP-1002 ¹
SW2	1.9L L4 F/I	33-2055	
1997 SATURN			
SC1	1.9L L4 F/I	33-2055	HP-1002 ¹
SC2	1.9L L4 F/I	33-2055	HP-1002 ¹
SL	1.9L L4 F/I	33-2055	HP-1002 ¹
SL1	1.9L L4 F/I	33-2055	HP-1002 ¹
SL2	1.9L L4 F/I	33-2055	HP-1002 ¹
1996 SATURN			
SC2	1.9L L4 F/I	33-2055 ♦	HP-1002 ¹
SL1	1.9L L4 F/I	33-2055	HP-1002 ¹
SL2	1.9L L4 F/I	33-2055 ♦	HP-1002 ¹
1995 SATURN			
SC1	1.9L L4 F/I	33-2055	HP-1002 ¹
SC2	1.9L L4 F/I	33-2055 ♦	
SL1	1.9L L4 F/I	33-2055	HP-1002 ¹
SL2	1.9L L4 F/I	33-2055 ♦	HP-1002 ¹
1994 SATURN			
SC1	1.9L L4 F/I	33-2113	
SL1	1.9L L4 F/I	33-2113	HP-1002 ¹
SL2	1.9L L4 F/I	33-2055 ♦	HP-1002 ¹
1993 SATURN			
SC2	1.9L L4 F/I	33-2055 ♦	HP-1002 ¹
SL1	1.9L L4 F/I	33-2113	
SL2	1.9L L4 F/I	33-2055 ♦	HP-1002 ¹
1992 SATURN			
SL1	1.9L L4 F/I	33-2113	
1991 SATURN			
SL1	1.9L L4 F/I	33-2113	
2016 SCION			
FR-S	2.0L H4 F/I	33-2300 ♦	
iM	1.8L L4 F/I	33-2360+	
tC	2.5L L4 F/I	33-2326 ♦+	
2015 SCION			
FR-S	2.0L H4 F/I	33-2300 ♦	HP-1004 ¹
IQ	1.3L L4 F/I	33-2486	
tC	2.5L L4 F/I	33-2326 ♦+	PS-7020
xB	2.4L L4 F/I	33-2326 ♦+	HP-1003 ¹
xD	1.8L L4 F/I		PS-7021
2014 SCION			
FR-S	2.0L H4 F/I	33-2300 ♦	HP-1004 ¹
IQ	1.3L L4 F/I	33-2486	
tC	2.5L L4 F/I	33-2326 ♦+	PS-7020
xB	2.4L L4 F/I	33-2326 ♦+	HP-1003 ¹
xD	1.8L L4 F/I	33-2360+	PS-7021
2013 SCION			
FR-S	2.0L H4 F/I	33-2300 ♦	HP-1004 ¹
IQ	1.3L L4 F/I	33-2486	
tC	2.5L L4 F/I	33-2326 ♦+	PS-7020

Vehicle	Engine Type	Air Filter	Oil Filter
2013 SCION			
xB	2.4L L4 F/I	33-2326 ♦+	HP-1003 ¹
xD	1.8L L4 F/I	33-2360+	PS-7021
2012 SCION			
IQ	1.3L L4 F/I	33-2486	
tC	2.5L L4 F/I	33-2326 ♦+	PS-7020
xB	2.4L L4 F/I	33-2326 ♦+	HP-1003 ¹
xD	1.8L L4 F/I	33-2360 ♦+	PS-7021
2011 SCION			
tC	2.5L L4 F/I	33-2326 ♦+	PS-7020
xB	2.4L L4 F/I	33-2326 ♦+	HP-1003 ¹
xD	1.8L L4 F/I	33-2360 ♦+	PS-7021
2010 SCION			
tC	2.4L L4 F/I	33-2252 ♦+	HP-1003 ¹
xB	2.4L L4 F/I	33-2326 ♦+	HP-1003 ¹
xD	1.8L L4 F/I	33-2360 ♦+	PS-7021
2009 SCION			
tC	2.4L L4 F/I	33-2252 ♦+	HP-1003 ¹
xB	2.4L L4 F/I	33-2326 ♦+	HP-1003 ¹
xD	1.8L L4 F/I	33-2360 ♦+	PS-7021
2008 SCION			
tC	2.4L L4 F/I	33-2252 ♦+	HP-1003 ¹
xB	2.4L L4 F/I	33-2326 ♦+	HP-1003 ¹
xD	1.8L L4 F/I	33-2360 ♦+	PS-7021
2007 SCION			
tC	2.4L L4 F/I	33-2252 ♦	HP-1003 ¹
xA	1.5L L4 F/I	33-2211 ♦	
xB	1.5L L4 F/I	33-2211 ♦	HP-1003 ¹
2006 SCION			
tC	2.4L L4 F/I	33-2300 ♦	HP-1003 ¹
xA	1.5L L4 F/I	33-2211 ♦+	HP-1003 ¹
xB	1.5L L4 F/I	33-2211 ♦+	HP-1003 ¹
2005 SCION			
tC	2.4L L4 F/I	33-2300 ♦	HP-1003 ¹
xA	1.5L L4 F/I	33-2211 ♦+	HP-1003 ¹
xB	1.5L L4 F/I	33-2211 ♦+	HP-1003 ¹
2004 SCION			
xA	1.5L L4 F/I	33-2211 ♦+	HP-1003 ¹
xB	1.5L L4 F/I	33-2211 ♦+	HP-1003 ¹
2003 SCION			
xB	1.5L L4 F/I	33-2211 ♦	
2015 SEA DOO			
GTI 130	1503		KN-556
GTI Limited 155	1503		KN-556
GTI SE 130	1503		KN-556
GTI SE 155	1503		KN-556
GTR 215	1503		KN-556
GTX Limited 215	1503		KN-556
GTX Limited iS 260	1503		KN-556
RXT X 260	1503		KN-556
RXT X aS 260	1503		KN-556
2014 SEA DOO			
GTI 130	1494		KN-556
GTI SE 130	1494		KN-556
GTI SE 155	1494		KN-556
GTR 215	1503		KN-556
GTS 130	1503		KN-556
GTX 155	1503		KN-556
GTX Limited 215	1503		KN-556

* 2 filters required ♦ Intake System Available - see page 81 +Cabin Air Filter Available - see page 453 1- Pro Series Filter Available

AIR & OIL FILTERS

SEA DOO

Vehicle	Engine Type	Air Filter	Oil Filter
2014 SEA DOO			
GTX Limited iS 260	1503		KN-556
GTX S 155	1503		KN-556
RXP X 260	1503		KN-556
RXT 260	1503		KN-556
RXT X 260	1503		KN-556
RXT X aS 260	1503		KN-556
Wake 155	1503		KN-556
Wake Pro 215	1503		KN-556

2013 SEA DOO			
GTI 130	1494		KN-556
GTI SE 155	1494		KN-556
GTX 155	1494		KN-556
GTX 215	1494		KN-556
RXP X 260	1494		KN-556
RXT 260	1494		KN-556
RXT X 260	1494		KN-556
Wake 155	1494		KN-556
Wake Pro 215	1494		KN-556

2012 SEA DOO			
GTI 130	1494		KN-556
GTI Limited 155	1494		KN-556
GTI SE 130	1494		KN-556
GTI SE 155	1494		KN-556
GTX 155	1494		KN-556
GTX 215	1494		KN-556
RXP X 260	1494		KN-556
RXT 260	1494		KN-556
RXT X 260	1494		KN-556
Wake 155	1494		KN-556
Wake Pro 215	1494		KN-556

2011 SEA DOO			
GTI 130	1494		KN-556
GTI Limited 155	1494		KN-556
GTI SE 130	1494		KN-556
GTI SE 155	1494		KN-556
GTX 155	1494		KN-556
GTX 215	1494		KN-556
RXT 260	1494		KN-556
RXT iS 260	1494		KN-556

2010 SEA DOO			
GTI 130	1494		KN-556
GTI SE 130	1494		KN-556
GTI SE 155	1494		KN-556
GTX 155	1494		KN-556
RXP 215	1494		KN-556
RXT iS 260	1494		KN-556
RXT X 260	1494		KN-556
Wake 155	1494		KN-556
Wake Pro 215	1494		KN-556

2009 SEA DOO			
150 Speedster	1494		KN-556
155HP			
150 Speedster	1494		KN-556
215HP			
150 Speedster	1494		KN-556
255HP			
180 Challenger	1494		KN-556
215HP			
180 Challenger SE	1494		KN-556
215HP			
180 Challenger SE	1494		KN-556
255HP			
GTI 130	1494		KN-556

Vehicle	Engine Type	Air Filter	Oil Filter
2009 SEA DOO			
GTI SE 130	1494		KN-556
GTI SE 155	1494		KN-556
GTX Limited iS 255	1494		KN-556
RXT 215	1494		KN-556
RXT iS 255	1494		KN-556
Wake 155	1494		KN-556

2008 SEA DOO			
150 Speedster	1494		KN-556
180 Challenger SE	1494		KN-556
200 Speedster	1494		KN-556
230 Challenger SE	1494		KN-556
GTI 130	1494		KN-556
GTI SE 130	1494		KN-556
GTI SE 155	1494		KN-556
GTX 155	1494		KN-556
GTX 215	1494		KN-556
GTX Limited	1494		KN-556
RXP 215	1494		KN-556
RXP X 255	1494		KN-556
RXT 215	1494		KN-556
RXT X 255	1494		KN-556
Wake 155	1494		KN-556
Wake 215	1494		KN-556

2007 SEA DOO			
150 Speedster	1494		KN-556
180 Challenger	1494		KN-556
180 Challenger SE	1494		KN-556
200 Speedster	1494		KN-556
GTI SE	1494		KN-556
GTI STD	1494		KN-556
GTX LTD BVIC	1494		KN-556
GTX STD	1494		KN-556
GTX Wake	1494		KN-556
GTX Wake BVIC	1494		KN-556
RXP NA	1494		KN-556
RXT BVIC	1494		KN-556
Wake 155	1494		KN-556

2006 SEA DOO			
180 Challenger	1494		KN-556
180 Challenger CS	1494		KN-556
205 Utopia SE	1494		KN-556
GTI SE	1494		KN-556
GTI STD	1494		KN-556
GTX	1494		KN-556
GTX 4-TEC STD	1494		KN-556
GTX 4-Tec Wake	1494		KN-556
GTX Limited	1494		KN-556
GTX SC	1494		KN-556
RXP	1494		KN-556
RXT	1494		KN-556
Speedster Wake	1494		KN-556
Speedster Wake Eng. 2	1494		KN-556

2005 SEA DOO			
GTX	1494		KN-556
GTX 4-TEC STD	1494		KN-556
GTX 4-Tec Wake	1494		KN-556
GTX Limited	1494		KN-556
GTX SC	1494		KN-556
RXP	1494		KN-556
RXT	1494		KN-556

* 2 filters required ♦ Intake System Available - see page 81 +Cabin Air Filter Available - see page 453 1- Pro Series Filter Available

Partial Listing - Complete List of Vehicles and Applications at knfilters.com

SEA DOO

AIR & OIL FILTERS

Vehicle	Engine Type	Air Filter	Oil Filter
---------	-------------	------------	------------

2005 SEA DOO

Sportster 4-Tec 155HP	1498		KN-556
--------------------------	------	--	--------

2004 SEA DOO

GTX 4-Tec	1494		KN-556
GTX 4-Tec Ltd. Supercharged	1494		KN-556
GTX 4-Tec Supercharged	1484		KN-556
GTX 4-Tec Wakeboard Edition	1484		KN-556
RXP Supercharged	1494		KN-556
Sportster 4-Tec	1484		KN-556

2003 SEA DOO

GTX 4-Tec	1484		KN-556
GTX 4-Tec Ltd. Supercharged	1494		KN-556
GTX 4-Tec Supercharged	1484		KN-556
GTX 4-Tec Wake	1484		KN-556

2002 SEA DOO

GTX 4-Tec	1484		KN-556
-----------	------	--	--------

2015 SEAT

Ibiza V	1.2L L3 DSL	E-2997	
Ibiza V	1.2L L4 F/I - Exc. TSi	33-2830 ♦	
Ibiza V	1.2L L4 F/I - TSi, From 5/15	33-3004 ♦	
Ibiza V	1.2L L4 F/I - TSi, To 4/15	E-2997 ♦	
Ibiza V	1.4L L4 F/I - Exc. TSi	33-2920	
Ibiza V	1.4L L4 F/I - TSi, 140BHP, From 5/15	33-3004	
Ibiza V	1.4L L4 F/I - TSi, 150/180BHP, To 4/15	E-2997	
Leon	1.2L L4 F/I	33-3004+	
Leon	1.4L L4 F/I	33-3004+	
Leon	2.0L L4 DSL	33-3005+	
Leon	2.0L L4 F/I	33-3005+	
Toledo IV	1.2L L4 F/I - Exc. TSi	33-2830	
Toledo IV	1.2L L4 F/I - TSi, From 5/15	33-3004	
Toledo IV	1.2L L4 F/I - TSi, To 4/15	E-2997	

2014 SEAT

Ibiza V	1.2L L3 DSL	E-2997	
Ibiza V	1.2L L4 F/I - Exc. TSi	33-2830 ♦	
Ibiza V	1.2L L4 F/I - TSi	E-2997 ♦	
Ibiza V	1.4L L4 F/I - TSi, 140BHP	33-3004	
Ibiza V	1.4L L4 F/I - TSi, 150/180BHP	E-2997	
Leon	1.2L L4 F/I	33-3004+	
Leon	1.4L L4 F/I	33-3004+	
Leon	2.0L L4 DSL	33-3005+	
Leon	2.0L L4 F/I	33-3005+	

2013 SEAT

Ibiza V	1.4L L4 F/I - Exc. TSi	33-2920 ♦	
Ibiza V	1.4L L4 F/I - TSi, 140BHP	33-3004 ♦	
Ibiza V	1.4L L4 F/I - TSi, 150/180BHP	E-2997 ♦	
Ibiza V	2.0L L4 DSL	33-3013	
Leon	1.8L L4 F/I	33-3005 ♦+	

2012 SEAT

Ibiza V	1.2L L3 DSL	E-2997 ♦	
Ibiza V	1.2L L4 F/I - Exc. TSi	33-2830 ♦	

Vehicle	Engine Type	Air Filter	Oil Filter
---------	-------------	------------	------------

2012 SEAT

Ibiza V	1.2L L4 F/I - TSi	E-2997 ♦	
Ibiza V	1.4L L4 F/I - TSi	E-2997 ♦	
Leon	1.4L L4 F/I - 86BHP	33-2920 ♦+	
Leon	2.0L L4 DSL	33-2865 ♦+	
Leon	2.0L L4 F/I	33-2865 ♦+	
Leon Cupra R	2.0L L4 F/I	33-2888 ♦+	

2011 SEAT

Ibiza V	1.2L L3 DSL	E-2997 ♦	
Ibiza V	1.2L L4 F/I - Exc. TSi	33-2830 ♦	
Ibiza V	1.2L L4 F/I - TSi	E-2997 ♦	
Ibiza V	1.4L L4 F/I - Exc., TSi	33-2920 ♦	
Ibiza V	1.4L L4 F/I - TSi	E-2997 ♦	
Ibiza V	2.0L L4 F/I		HP-2005 ¹
Leon	2.0L L4 DSL	33-2865 ♦+	
Leon	2.0L L4 F/I	33-2865 ♦+	
Leon Cupra R	2.0L L4 F/I	33-2888 ♦+	

2010 SEAT

Ibiza V	1.4L L3 DSL	33-2830	
Ibiza V	1.4L L4 F/I - TSi	E-2997 ♦	
Ibiza V	1.6L L4 DSL	E-2997 ♦	
Ibiza V	1.6L L4 F/I	33-2920 ♦	

2009 SEAT

Ibiza V	1.4L L3 DSL	33-2830	
Ibiza V	1.4L L4 F/I - Exc. TSi	33-2920 ♦	
Ibiza V	1.4L L4 F/I - TSi	E-2997 ♦	

2008 SEAT

Altea XL	2.0L L4 DSL	33-2865 ♦+	
Altea XL	2.0L L4 F/I		PS-7010
Altea XL	2.0L L4 F/I - 200BHP	33-2888 ♦+	PS-7010
Leon	2.0L L4 DSL	33-2865 ♦+	
Leon	2.0L L4 F/I		PS-7010
Leon	2.0L L4 F/I - Exc., 150BHP	33-2888 ♦+	PS-7010

2007 SEAT

Leon	2.0L L4 DSL	33-2865 ♦+	
------	-------------	------------	--

2006 SEAT

Cordoba	1.6L L4 F/I		HP-2005 ¹
Cordoba	1.6L L4 F/I - 105BHP	33-2920	HP-2005
Ibiza IV	1.8L L4 F/I	33-2830 ♦	HP-2005 ¹
Leon	1.9L L4 DSL	33-2865 ♦+	

2005 SEAT

Ibiza IV	1.9L L4 DSL	33-2830 ♦	
----------	-------------	-----------	--

2003 SEAT

Ibiza IV	1.4L L3 DSL	33-2830	
----------	-------------	---------	--

2000 SEAT

Alhambra	1.9L L4 DSL - to 6/00	33-2749	
----------	-----------------------	---------	--

2013 SHERCO

SE 3.0i F	300		KN-611
-----------	-----	--	--------

2004 SKI DOO

Legend V-1000	1000		KN-556
Legend V-1000 Sport	1000		KN-556

2015 SKODA

Fabia	1.2L L4 F/I	33-3004	
Octavia	2.0L L4 DSL	33-3005+	
Octavia	2.0L L4 F/I	33-3005+	
Rapid	1.4L L4 F/I - From 5/15	33-3004	

2014 SKODA

Fabia	1.2L L3 DSL	E-2997	
-------	-------------	--------	--

* 2 filters required ♦ Intake System Available - see page 81 +Cabin Air Filter Available - see page 453 1- Pro Series Filter Available

AIR & OIL FILTERS

SKODA

Vehicle	Engine Type	Air Filter	Oil Filter
2014 SKODA			
Fabia	1.2L L4 F/I - Exc. TSi	33-2830	
Fabia	1.2L L4 F/I - TSi	E-2997	
Octavia	1.4L L4 F/I	33-3004+	
2013 SKODA			
Octavia	1.8L L4 F/I - to 3/13	33-2865 ♦+	
Octavia	2.0L L4 DSL - to 3/13	33-2865 ♦+	
Octavia	2.0L L4 F/I - to 3/13	33-2865 ♦+	
2012 SKODA			
Citigo	1.0L L3 F/I	33-2994	
Fabia	1.2L L3 DSL	E-2997 ♦	
Fabia	1.2L L4 F/I - Exc. TSi	33-2830 ♦	
Fabia	1.2L L4 F/I - TSi	E-2997 ♦	
Fabia	1.6L L4 DSL	E-2997 ♦	
Octavia	2.0L L4 DSL	33-2865 ♦+	
Octavia	2.0L L4 F/I	33-2865 ♦+	
Rapid	1.6L L4 DSL	E-2997 ♦	
Rapid	1.6L L4 F/I	33-2920	
2011 SKODA			
Fabia	1.2L L3 DSL	E-2997 ♦	
Fabia	1.2L L4 F/I - Exc. TSi	33-2830 ♦	
Fabia	1.2L L4 F/I - TSi	E-2997 ♦	
Fabia	1.4L L4 F/I - Exc. TSi	33-2920 ♦	
Fabia	1.4L L4 F/I - TSi	E-2997 ♦	
Fabia	1.6L L4 DSL	E-2997 ♦	
Fabia	1.6L L4 F/I	33-2920	
Superb	1.8L L4 F/I	33-2865 ♦+	
2005 SKODA			
Fabia	1.2L L3 F/I - 54BHP	33-2830 ♦	
Fabia	1.2L L3 F/I - 64BHP	33-2850 ♦	
2004 SKODA			
Fabia	1.4L L4 DSL	33-2830 ♦	
Fabia	1.4L L4 F/I - 16v	33-2221 ♦	
Fabia	1.4L L4 F/I - 8v	33-2830 ♦	
Octavia	1.9L L4 DSL - 105BHP	33-2865 ♦+	
Octavia	1.9L L4 DSL - to 4/04	33-2128 ♦+	
Octavia	1.9L L4 SDI - to 4/04	33-2128 ♦	
2003 SKODA			
Octavia	1.8L L4 F/I	33-2128 ♦	
2001 SKODA			
Fabia	1.4L L4 F/I - 16v	33-2221 ♦	
Fabia	1.4L L4 F/I - 8v	33-2830 ♦	
2015 SMART			
Fortwo	1.0L L3 F/I	33-2417	HP-1008 ¹
Fortwo	1.0L L3 F/I - Non-US, Cabrio	33-2417	HP-1008
Fortwo	1.0L L3 F/I - Non-US, Coupe	33-3043	HP-1008
2014 SMART			
Fortwo	0.8L L3 DSL	33-2417	
Fortwo	1.0L L3 F/I	33-2417	HP-1008 ¹
2013 SMART			
Fortwo	0.8L L3 DSL	33-2417	
Fortwo	1.0L L3 F/I	33-2417	HP-1008 ¹
2012 SMART			
Fortwo	0.8L L3 DSL	33-2417	
Fortwo	1.0L L3 F/I	33-2417	HP-1008 ¹
2011 SMART			
Fortwo	0.8L L3 DSL	33-2417	
Fortwo	1.0L L3 F/I	33-2417	HP-1008 ¹

Vehicle	Engine Type	Air Filter	Oil Filter
2010 SMART			
Fortwo	1.0L L3 F/I		HP-1008 ¹
Fortwo	1.0L L3 F/I - US	33-2417	HP-1008
2009 SMART			
Fortwo	0.8L L3 DSL	33-2417	
Fortwo	1.0L L3 F/I	33-2417	HP-1008 ¹
2008 SMART			
Fortwo	0.8L L3 DSL	33-2417	
Fortwo	1.0L L3 F/I	33-2417	HP-1008 ¹
2006 SMART			
Fortwo	0.7L L3 F/I	E-9257	
Fortwo	0.8L L3 DSL	E-9257	
2005 SMART			
Forfour	1.3L L4 F/I	33-2881	
Fortwo	0.8L L3 DSL	E-9257	
2015 SRT			
Viper	8.4L V10 F/I	33-2432	HP-1017 ¹
2014 SRT			
Viper	8.4L V10 F/I	33-2432	
2013 SRT			
Viper	8.4L V10 F/I	33-2432 ♦	
2008 STERLING			
Bullet 45	6.7L L6 DSL		HP-4003 ¹
1963 STUDEBAKER			
Avanti	289 V8 CARB		HP-2003 ¹
2016 SUBARU			
BRZ	2.0L H4 F/I	33-2300 ♦	
Forester	2.0L H4 DSL	33-2304	
Forester	2.0L H4 F/I	33-2304	
Forester	2.5L H4 F/I	33-2304	
Impreza	2.0L H4 F/I	33-2304	
Impreza WRX STi	2.5L H4 F/I	33-2304 ♦	
Legacy	2.5L H4 F/I	33-2304+	
Legacy	3.6L H6 F/I	33-2304+	
Outback	2.5L H4 F/I	33-2304+	
Outback	3.6L H6 F/I	33-2304+	
WRX	2.0L H4 F/I	33-2304	
WRX STi	2.5L H4 F/I	33-2304 ♦	
XV Crosstrek	2.0L H4 F/I - Exc. Hybrid	33-2304	
XV Crosstrek	2.0L H4 F/I - w/Hybrid	33-5022	
2015 SUBARU			
BRZ	2.0L H4 F/I	33-2300 ♦	HP-1004 ¹
Forester	2.0L H4 DSL	33-2304	
Forester	2.0L H4 F/I	33-2304	HP-1010 ¹
Forester	2.5L H4 F/I	33-2304	HP-1010 ¹
Impreza	2.0L H4 F/I	33-2304	HP-1010 ¹
Impreza WRX STi	2.5L H4 F/I	33-2304 ♦	HP-1008 ¹
Legacy	2.5L H4 F/I	33-2304+	HP-1010 ¹
Legacy	3.6L H6 F/I	33-2304+	HP-1004 ¹
Outback	2.0L H4 DSL	33-2304	
Outback	2.5L H4 F/I	33-2304+	HP-1010 ¹
Outback	3.6L H6 F/I	33-2304+	HP-1004 ¹
Tribeca	3.6L H6 F/I		HP-1004 ¹
WRX	2.0L H4 F/I	33-2304 ♦	HP-1004 ¹
WRX STi	2.5L H4 F/I	33-2304 ♦	HP-1008 ¹
XV	1.6L H4 F/I	33-2304	
XV	2.0L H4 DSL	33-2304	
XV	2.0L H4 F/I		HP-1010 ¹
XV	2.0L H4 F/I - Non-US	33-2304	HP-1010

* 2 filters required ♦ Intake System Available - see page 81 +Cabin Air Filter Available - see page 453 1- Pro Series Filter Available

Partial Listing - Complete List of Vehicles and Applications at knfilters.com

SUBARU

AIR & OIL FILTERS

Vehicle	Engine Type	Air Filter	Oil Filter
2015 SUBARU			
XV Crosstrek	2.0L H4 F/I		HP-1010 ¹
XV Crosstrek	2.0L H4 F/I - Exc. Hybrid	33-2304	HP-1010
XV Crosstrek	2.0L H4 F/I - w/Hybrid	33-5022	HP-1010
2014 SUBARU			
BRZ	2.0L H4 F/I	33-2300 ♦	HP-1004 ¹
Forester	2.0L H4 DSL	33-2304	
Forester	2.0L H4 F/I	33-2304	HP-1010 ¹
Forester	2.5L H4 F/I	33-2304	HP-1010 ¹
Impreza	2.0L H4 F/I	33-2304	HP-1010 ¹
Impreza WRX	2.5L H4 F/I	33-2304 ♦	HP-1008 ¹
Impreza WRX STi	2.5L H4 F/I	33-2304 ♦	HP-1008 ¹
Legacy	2.5L H4 F/I	33-2304+	HP-1010 ¹
Legacy	3.6L H6 F/I	33-2304+	HP-1004 ¹
Legacy IV	2.0L H4 DSL	33-2304	
Legacy IV	2.0L H4 F/I	33-2304	
Legacy IV	2.5L H4 F/I	33-2304	
Outback	2.0L H4 DSL	33-2304	
Outback	2.5L H4 F/I	33-2304+	HP-1010 ¹
Outback	3.6L H6 F/I	33-2304+	HP-1004 ¹
Tribeca	3.6L H6 F/I	33-2304+	HP-1004 ¹
WRX	2.5L H4 F/I	33-2304	HP-1008 ¹
WRX STi	2.5L H4 F/I	33-2304 ♦	HP-1008 ¹
XV	1.6L H4 F/I	33-2304	
XV	2.0L H4 DSL	33-2304	
XV	2.0L H4 F/I		HP-1010 ¹
XV	2.0L H4 F/I - Non-US	33-2304	HP-1010
XV Crosstrek	2.0L H4 F/I		HP-1008 ¹
XV Crosstrek	2.0L H4 F/I - Exc. Hybrid	33-2304	HP-1008
XV Crosstrek	2.0L H4 F/I - w/Hybrid	33-5022	HP-1008
2013 SUBARU			
BRZ	2.0L H4 F/I	33-2300 ♦	HP-1004 ¹
Forester	2.0L H4 DSL	33-2304	
Forester	2.0L H4 F/I	33-2304	
Forester	2.5L H4 F/I	33-2304	
Forester	2.5L H4 F/I - Exc. Turbo	33-2304	HP-1010 ¹
Forester	2.5L H4 F/I - Turbo	33-2304	HP-1008 ¹
Impreza	2.0L H4 F/I	33-2304	HP-1010 ¹
Impreza WRX	2.5L H4 F/I	33-2304 ♦	HP-1008 ¹
Impreza WRX STi	2.5L H4 F/I	33-2304 ♦	HP-1008 ¹
Legacy	2.5L H4 F/I	33-2304+	HP-1010 ¹
Legacy	3.6L H6 F/I	33-2304+	HP-1004 ¹
Legacy IV	2.0L H4 DSL	33-2304	
Legacy IV	2.0L H4 F/I	33-2304	
Legacy IV	2.5L H4 F/I	33-2304	
Outback	2.0L H4 DSL	33-2304	
Outback	2.5L H4 F/I	33-2304+	HP-1010 ¹
Outback	3.6L H6 F/I	33-2304+	HP-1004 ¹
Tribeca	3.6L H6 F/I	33-2304+	HP-1004 ¹
WRX	2.5L H4 F/I	33-2304	HP-1008 ¹
WRX STi	2.5L H4 F/I	33-2304	HP-1008 ¹
XV	2.0L H4 DSL	33-2304	
XV	2.0L H4 F/I	33-2304	HP-1010 ¹
XV Crosstrek	2.0L H4 F/I	33-2304	HP-1008 ¹
2012 SUBARU			
BRZ	2.0L H4 F/I	33-2300	
Forester	2.0L H4 DSL	33-2304	
Forester	2.0L H4 F/I	33-2304	
Forester	2.5L H4 F/I	33-2304	HP-1004 ¹
Forester Turbo	2.5L H4 F/I	33-2304	HP-1008 ¹
Impreza	1.5L H4 F/I	33-2304	
Impreza	2.0L H4 DSL	33-2304	

Vehicle	Engine Type	Air Filter	Oil Filter
2012 SUBARU			
Impreza	2.0L H4 F/I	33-2304	HP-1010 ¹
Impreza WRX	2.5L H4 F/I	33-2304 ♦	HP-1008 ¹
Impreza WRX STi	2.5L H4 F/I	33-2304 ♦	HP-1008 ¹
Legacy	2.5L H4 F/I	33-2304+	HP-1008 ¹
Legacy	3.6L H6 F/I	33-2304+	HP-1004 ¹
Legacy IV	2.0L H4 DSL	33-2304	
Legacy IV	2.0L H4 F/I	33-2304	
Legacy IV	2.5L H4 F/I	33-2304	
Outback	2.0L H4 DSL	33-2304	
Outback	2.5L H4 F/I	33-2304+	HP-1008 ¹
Outback	3.6L H6 F/I	33-2304+	HP-1004 ¹
Tribeca	3.6L H6 F/I	33-2304+	HP-1004 ¹
WRX	2.5L H4 F/I	33-2304	HP-1008 ¹
WRX STi	2.5L H4 F/I	33-2304	HP-1008 ¹
XV	2.0L H4 DSL	33-2304	
XV	2.0L H4 F/I	33-2304	
2011 SUBARU			
Forester	2.0L H4 DSL	33-2304	
Forester	2.0L H4 F/I	33-2304	
Forester	2.5L H4 F/I	33-2304	HP-1004 ¹
Forester Turbo	2.5L H4 F/I	33-2304	HP-1008 ¹
Impreza	1.5L H4 F/I	33-2304	
Impreza	2.0L H4 DSL	33-2304	
Impreza	2.0L H4 F/I	33-2304	
Impreza	2.5L H4 F/I	33-2304	HP-1008 ¹
Impreza WRX	2.5L H4 F/I	33-2304 ♦	HP-1008 ¹
Impreza WRX STi	2.5L H4 F/I	33-2304 ♦	HP-1008 ¹
Legacy	2.5L H4 F/I	33-2304+	HP-1008 ¹
Legacy	3.6L H6 F/I	33-2304+	HP-1004 ¹
Legacy IV	2.0L H4 DSL	33-2304	
Legacy IV	2.0L H4 F/I	33-2304	
Legacy IV	2.5L H4 F/I	33-2304	
Outback	2.0L H4 DSL	33-2304	
Outback	2.5L H4 F/I	33-2304+	HP-1008 ¹
Outback	3.6L H6 F/I	33-2304+	HP-1004 ¹
Tribeca	3.6L H6 F/I	33-2304+	
2010 SUBARU			
Forester	2.0L H4 DSL	33-2304	
Forester	2.0L H4 F/I	33-2304	
Forester	2.5L H4 F/I	33-2304	HP-1008 ¹
Impreza	1.5L H4 F/I	33-2304	
Impreza	2.0L H4 DSL	33-2304	
Impreza	2.0L H4 F/I	33-2304	
Impreza	2.5L H4 F/I	33-2304	HP-1008 ¹
Impreza WRX	2.5L H4 F/I	33-2304 ♦	HP-1008 ¹
Impreza WRX STi	2.5L H4 F/I	33-2304 ♦	HP-1008 ¹
Legacy	2.5L H4 F/I	33-2304+	HP-1008 ¹
Legacy	3.6L H6 F/I	33-2304+	HP-1004 ¹
Legacy IV	2.0L H4 DSL	33-2304	
Legacy IV	2.0L H4 F/I	33-2304	
Legacy IV	2.5L H4 F/I	33-2304	
Outback	2.0L H4 DSL	33-2304	
Outback	2.5L H4 F/I	33-2304+	HP-1008 ¹
Outback	3.6L H6 F/I	33-2304+	HP-1004 ¹
Tribeca	3.6L H6 F/I	33-2304+	
2009 SUBARU			
Forester	2.0L H4 DSL	33-2304	
Forester	2.0L H4 F/I	33-2304	
Forester	2.5L H4 F/I	33-2304	HP-1008 ¹
Impreza	1.5L H4 F/I	33-2304	
Impreza	2.0L H4 DSL	33-2304	
Impreza	2.0L H4 F/I	33-2304	
Impreza	2.5L H4 F/I	33-2304 ♦	HP-1008 ¹

* 2 filters required ♦ Intake System Available - see page 81 +Cabin Air Filter Available - see page 453 1- Pro Series Filter Available

AIR & OIL FILTERS

SUBARU

Vehicle	Engine Type	Air Filter	Oil Filter
2009 SUBARU			
Impreza WRX	2.0L H4 F/I	33-2304	
Impreza WRX	2.5L H4 F/I	33-2304 ♦	HP-1008 ¹
Impreza WRX STi	2.0L H4 F/I	33-2304	
Impreza WRX STi	2.5L H4 F/I	33-2304 ♦	HP-1008 ¹
Legacy	2.5L H4 F/I	33-2304+	HP-1008 ¹
Legacy	3.0L H6 F/I	33-2304+	HP-1004 ¹
Legacy GT	2.5L H4 F/I	33-2304 ♦+	HP-1008 ¹
Legacy IV	2.0L H4 DSL	33-2304	
Legacy IV	2.0L H4 F/I	33-2304	
Legacy IV	2.5L H4 F/I		HP-1008 ¹
Legacy IV	2.5L H4 F/I - 165BHP	33-2304	HP-1008
Legacy IV	3.0L H6 F/I	33-2304	HP-1004 ¹
Outback	2.0L H4 DSL	33-2304	
Outback	2.5L H4 F/I	33-2304+	HP-1008 ¹
Outback	3.0L H6 F/I	33-2304+	HP-1004 ¹
Tribeca	3.6L H6 F/I	33-2304+	HP-1004 ¹

Vehicle	Engine Type	Air Filter	Oil Filter
2008 SUBARU			
Forester	2.0L H4 DSL	33-2304	
Forester	2.0L H4 F/I - From 4/08	33-2304	
Forester	2.5L H4 F/I	33-2075	HP-1008 ¹
Impreza	1.5L H4 F/I	33-2304	
Impreza	2.0L H4 DSL	33-2304	
Impreza	2.0L H4 F/I	33-2304	
Impreza	2.5L H4 F/I	33-2304 ♦	HP-1008 ¹
Impreza WRX	2.0L H4 F/I	33-2304	
Impreza WRX	2.5L H4 F/I	33-2304 ♦	HP-1008 ¹
Impreza WRX STi	2.0L H4 F/I	33-2304	
Impreza WRX STi	2.5L H4 F/I	33-2304 ♦	HP-1008 ¹
Legacy	2.5L H4 F/I	33-2304+	HP-1008 ¹
Legacy	3.0L H6 F/I	33-2304+	HP-1004 ¹
Legacy GT	2.5L H4 F/I	33-2304 ♦+	HP-1008 ¹
Legacy IV	2.0L H4 DSL	33-2304	
Legacy IV	2.0L H4 F/I	33-2304	
Legacy IV	2.5L H4 F/I		HP-1008 ¹
Legacy IV	2.5L H4 F/I - 165BHP	33-2304	HP-1008
Legacy IV	3.0L H6 F/I	33-2304	HP-1004 ¹
Outback	2.0L H4 DSL	33-2304	
Outback	2.5L H4 F/I	33-2304+	HP-1008 ¹
Outback	3.0L H6 F/I	33-2304+	HP-1004 ¹
Tribeca	3.0L H6 F/I	33-2304	
Tribeca	3.6L H6 F/I	33-2304+	HP-1004 ¹

Vehicle	Engine Type	Air Filter	Oil Filter
2007 SUBARU			
B9 Tribeca	3.0L H6 F/I	33-2304+	HP-1004 ¹
Forester	2.5L H4 F/I	33-2075	HP-1008 ¹
Impreza	1.5L H4 F/I	33-2304	
Impreza	2.0L H4 F/I	33-2304	
Impreza	2.5L H4 F/I	33-2232 ♦	HP-1008 ¹
Impreza WRX	2.0L H4 F/I	33-2304 ♦	
Impreza WRX	2.5L H4 F/I	33-2232 ♦	HP-1008 ¹
Impreza WRX STi	2.0L H4 F/I	33-2304 ♦	
Impreza WRX STi	2.5L H4 F/I	33-2232 ♦	HP-1008 ¹
Legacy	2.5L H4 F/I	33-2304+	HP-1008 ¹
Legacy GT	2.5L H4 F/I	33-2304 ♦+	HP-1008 ¹
Legacy IV	2.0L H4 F/I	33-2304	
Legacy IV	2.5L H4 F/I		HP-1008 ¹
Legacy IV	2.5L H4 F/I - 165BHP	33-2304	HP-1008
Legacy IV	3.0L H6 F/I	33-2304	
Outback	2.5L H4 F/I	33-2304+	HP-1008 ¹
Outback	3.0L H6 F/I	33-2304+	HP-1004 ¹

Vehicle	Engine Type	Air Filter	Oil Filter
2006 SUBARU			
B9 Tribeca	3.0L H6 F/I	33-2304+	HP-1004 ¹
Baja	2.5L H4 F/I	33-2075	HP-1008 ¹
Baja Sport	2.5L H4 F/I	33-2154	HP-1008 ¹

Vehicle	Engine Type	Air Filter	Oil Filter
2006 SUBARU			
Forester	2.5L H4 F/I	33-2075	HP-1008 ¹
Forester	2.5L H4 F/I - Non-US, Turbo	33-2075	HP-1008
Forester Turbo	2.5L H4 F/I	33-2075 ♦	HP-1008 ¹
Impreza	2.5L H4 F/I	33-2232	HP-1008 ¹
Impreza WRX	2.5L H4 F/I	33-2232 ♦	HP-1008 ¹
Impreza WRX STi	2.5L H4 F/I	33-2232 ♦	HP-1008 ¹
Legacy	2.5L H4 F/I	33-2304+	HP-1008 ¹
Legacy GT	2.5L H4 F/I	33-2304 ♦+	HP-1008 ¹
Legacy IV	2.0L H4 F/I	33-2304	
Legacy IV	2.5L H4 F/I		HP-1008 ¹
Legacy IV	2.5L H4 F/I - 165BHP	33-2304	HP-1008
Legacy IV	3.0L H6 F/I	33-2304	
Outback	2.5L H4 F/I	33-2304+	HP-1008 ¹
Outback	3.0L H6 F/I	33-2304+	HP-1004 ¹
Outback XT	2.5L H4 F/I	33-2304+	HP-1008 ¹
Tribeca	3.0L H6 F/I	33-2304	

Vehicle	Engine Type	Air Filter	Oil Filter
2005 SUBARU			
Baja	2.5L H4 F/I	33-2075	HP-1008 ¹
Baja Sport	2.5L H4 F/I	33-2154	HP-1008 ¹
Forester	2.0L H4 F/I	33-2232	
Forester	2.5L H4 F/I	33-2075	HP-1008 ¹
Forester	2.5L H4 F/I - Non-US, Exc. Turbo	33-2154	HP-1008
Forester	2.5L H4 F/I - Non-US, Turbo	33-2075	HP-1008
Forester Turbo	2.5L H4 F/I	33-2075 ♦	HP-1008 ¹
Impreza	1.6L H4 F/I - 95BHP	33-2154	
Impreza	2.0L H4 F/I		HP-1008 ¹
Impreza	2.0L H4 F/I - Exc. Turbo	33-2154 ♦	HP-1008
Impreza	2.0L H4 F/I - Turbo	33-2232 ♦	HP-1008
Impreza	2.5L H4 F/I	33-2232	HP-1008 ¹
Impreza WRX	2.0L H4 F/I		HP-1008 ¹
Impreza WRX	2.0L H4 F/I - Non-US, Exc. Turbo	33-2154 ♦	HP-1008
Impreza WRX	2.0L H4 F/I - Non-US, Turbo	33-2232 ♦	HP-1008
Impreza WRX	2.0L H4 F/I - US	33-2075 ♦	HP-1008
Impreza WRX STi	2.0L H4 F/I	33-2154 ♦	HP-1008 ¹
Impreza WRX STi	2.5L H4 F/I	33-2232 ♦	HP-1008 ¹
Legacy	2.5L H4 F/I	33-2304+	HP-1008 ¹
Legacy GT	2.5L H4 F/I	33-2304 ♦+	HP-1008 ¹
Legacy IV	2.0L H4 F/I - 138/165BHP	33-2304	
Legacy IV	2.5L H4 F/I		HP-1008 ¹
Legacy IV	2.5L H4 F/I - 165BHP	33-2304	HP-1008
Legacy IV	3.0L H6 F/I	33-2304	
Outback	2.5L H4 F/I	33-2304+	HP-1008 ¹
Outback	3.0L H6 F/I	33-2304+	HP-1004 ¹
Outback XT	2.5L H4 F/I	33-2304+	HP-1008 ¹

Vehicle	Engine Type	Air Filter	Oil Filter
2004 SUBARU			
Baja	2.5L H4 F/I	33-2075	HP-1008 ¹
Baja Sport	2.5L H4 F/I	33-2154	HP-1008 ¹
Forester	2.0L H4 F/I	33-2232	
Forester	2.5L H4 F/I		HP-1008 ¹
Forester	2.5L H4 F/I - Exc. Turbo	33-2154	HP-1008
Forester	2.5L H4 F/I - Turbo	33-2075 ♦	HP-1008
Impreza	2.0L H4 F/I		HP-1008 ¹
Impreza	2.0L H4 F/I - Exc. Turbo	33-2154 ♦	HP-1008
Impreza	2.0L H4 F/I - Turbo	33-2232 ♦	HP-1008
Impreza	2.5L H4 F/I	33-2154	HP-1008 ¹
Impreza WRX	2.0L H4 F/I		HP-1008 ¹
Impreza WRX	2.0L H4 F/I - Non-US, Exc. Turbo	33-2154 ♦	HP-1008
Impreza WRX	2.0L H4 F/I - Non-US, Turbo	33-2232 ♦	HP-1008

* 2 filters required ♦ Intake System Available - see page 81 +Cabin Air Filter Available - see page 453 1- Pro Series Filter Available

SUBARU

AIR & OIL FILTERS

Vehicle	Engine Type	Air Filter	Oil Filter	Vehicle	Engine Type	Air Filter	Oil Filter
2004 SUBARU				2002 SUBARU			
Impreza WRX	2.0L H4 F/I - US	33-2075 ♦	HP-1008	Legacy	2.5L H4 F/I - OEM 16546AA020	33-2232	HP-1008
Impreza WRX STi	2.0L H4 F/I	33-2154 ♦	HP-1008 ¹	Legacy	2.5L H4 F/I - OEM 16546AA070	33-2154	HP-1008
Impreza WRX STi	2.5L H4 F/I	33-2075 ♦	HP-1008 ¹	Legacy III	2.0L H4 F/I	33-2154	
Legacy	2.5L H4 F/I		HP-1008 ¹	Legacy III	2.5L H4 F/I	33-2154	HP-1008 ¹
Legacy	2.5L H4 F/I - OEM 16546AA020	33-2232	HP-1008	Outback	2.5L H4 F/I	33-2154	HP-1008 ¹
Legacy	2.5L H4 F/I - OEM 16546AA070	33-2154	HP-1008	Outback	3.0L H6 F/I	33-2232	HP-1004 ¹
Legacy IV	2.0L H4 F/I - 138BHP	33-2304		2001 SUBARU			
Legacy IV	2.5L H4 F/I - 165BHP	33-2304		Forester	2.0L H4 F/I	33-2232	
Legacy IV	3.0L H6 F/I	33-2304		Forester	2.5L H4 F/I	33-2154	HP-1008 ¹
Outback	2.5L H4 F/I		HP-1008 ¹	Impreza	2.0L H4 F/I - Exc. Turbo	33-2154 ♦	
Outback	2.5L H4 F/I - Exc. Turbo	33-2154	HP-1008	Impreza	2.0L H4 F/I - Turbo	33-2232 ♦	
Outback	2.5L H4 F/I - Non-US	33-2304	HP-1008	Impreza	2.2L H4 F/I	33-2154	HP-1008 ¹
Outback	2.5L H4 F/I - Turbo	33-2075	HP-1008	Impreza	2.5L H4 F/I	33-2154	HP-1008 ¹
Outback	3.0L H6 F/I		HP-1004 ¹	Impreza WRX	2.0L H4 F/I	33-2232 ♦	
Outback	3.0L H6 F/I - Non-US, 245BHP	33-2304	HP-1004	Impreza WRX	2.2L H4 F/I	33-2154	
Outback	3.0L H6 F/I - VDC	33-2075	HP-1004 ¹	Legacy	2.5L H4 F/I		HP-1008 ¹
2003 SUBARU				Legacy	2.5L H4 F/I - OEM 16546AA020	33-2232	HP-1008
Baja	2.5L H4 F/I	33-2154	HP-1008 ¹	Legacy	2.5L H4 F/I - OEM 16546AA070	33-2154	HP-1008
Forester	2.0L H4 F/I	33-2232		Legacy III	2.0L H4 F/I	33-2154	
Forester	2.5L H4 F/I	33-2154	HP-1008 ¹	Legacy III	2.5L H4 F/I	33-2154	HP-1008 ¹
Forester	2.5L H4 F/I - Non-US, Exc. Turbo	33-2154	HP-1008	Outback	2.5L H4 F/I	33-2154	HP-1008 ¹
Forester	2.5L H4 F/I - Non-US, Turbo	33-2075	HP-1008	Outback	3.0L H6 F/I	33-2232	HP-1004 ¹
Impreza	2.0L H4 F/I		HP-1008 ¹	2000 SUBARU			
Impreza	2.0L H4 F/I - Exc. Turbo	33-2154 ♦	HP-1008	Forester	2.0L H4 F/I	33-2232	
Impreza	2.0L H4 F/I - Turbo	33-2232 ♦	HP-1008	Forester	2.5L H4 F/I	33-2154	HP-1008 ¹
Impreza	2.5L H4 F/I	33-2154	HP-1008 ¹	Impreza	2.0L H4 F/I	33-2232 ♦	
Impreza WRX	2.0L H4 F/I	33-2232 ♦	HP-1008 ¹	Impreza	2.2L H4 F/I	33-2154	HP-1008 ¹
Impreza WRX STi	2.0L H4 F/I	33-2154 ♦	HP-1008 ¹	Impreza	2.5L H4 F/I	33-2154	HP-1008 ¹
Legacy	2.5L H4 F/I		HP-1008 ¹	Impreza WRX	2.0L H4 F/I	33-2232 ♦	
Legacy	2.5L H4 F/I - OEM 16546AA020	33-2232	HP-1008	Legacy	2.5L H4 F/I		HP-1008 ¹
Legacy	2.5L H4 F/I - OEM 16546AA070	33-2154	HP-1008	Legacy	2.5L H4 F/I - OEM 16546AA020	33-2232	HP-1008
Legacy III	2.0L H4 F/I	33-2154		Legacy	2.5L H4 F/I - OEM 16546AA070	33-2154	HP-1008
Legacy III	2.5L H4 F/I	33-2154	HP-1008 ¹	Legacy III	2.0L H4 F/I	33-2154	
Legacy IV	2.0L H4 F/I - 138BHP	33-2304		Legacy III	2.5L H4 F/I	33-2154	HP-1008 ¹
Legacy IV	2.5L H4 F/I - 165BHP	33-2304		Outback	2.5L H4 F/I	33-2154	HP-1008 ¹
Legacy IV	3.0L H6 F/I	33-2304		Outback	3.0L H6 F/I	33-2232	
Outback	2.5L H4 F/I	33-2154	HP-1008 ¹	1999 SUBARU			
Outback	2.5L H4 F/I - Non-US, 156BHP	33-2154	HP-1008	Forester	2.0L H4 F/I	33-2232	
Outback	2.5L H4 F/I - Non-US, 165BHP	33-2304	HP-1008	Forester	2.5L H4 F/I		HP-1008 ¹
Outback	3.0L H6 F/I	33-2232	HP-1004 ¹	Forester	2.5L H4 F/I - OEM 16546AA020	33-2232	HP-1008
Outback	3.0L H6 F/I - Non-US, 209BHP	33-2232	HP-1004	Forester	2.5L H4 F/I - OEM 16546AA070	33-2154	HP-1008
Outback	3.0L H6 F/I - Non-US, 245BHP	33-2304	HP-1004	Impreza	1.6L H4 F/I - 95BHP	33-2154	
2002 SUBARU				Impreza	1.8L H4 F/I	33-2232	HP-1008 ¹
Forester	2.0L H4 F/I	33-2232		Impreza	2.0L H4 F/I	33-2232 ♦	
Forester	2.5L H4 F/I	33-2154	HP-1008 ¹	Impreza	2.2L H4 F/I		HP-1008 ¹
Forester	2.5L H4 F/I - Non-US, Exc. Turbo	33-2154	HP-1008	Impreza	2.2L H4 F/I - OEM 16546AA020	33-2232	HP-1008
Forester	2.5L H4 F/I - Non-US, Turbo	33-2075	HP-1008	Impreza	2.2L H4 F/I - OEM 16546AA070	33-2154	HP-1008
Impreza	2.0L H4 F/I		HP-1008 ¹	Impreza	2.5L H4 F/I		HP-1008 ¹
Impreza	2.0L H4 F/I - Exc. Turbo	33-2154 ♦	HP-1008	Impreza	2.5L H4 F/I - OEM 16546AA020	33-2075	HP-1008
Impreza	2.0L H4 F/I - Turbo	33-2232 ♦	HP-1008	Impreza	2.5L H4 F/I - OEM 16546AA070	33-2154	HP-1008
Impreza	2.5L H4 F/I	33-2154	HP-1008 ¹	Legacy	2.2L H4 F/I		HP-1008 ¹
Impreza RS	2.5L H4 F/I	33-2154	HP-1008 ¹	Legacy	2.2L H4 F/I - OEM 16546AA020	33-2232	HP-1008
Impreza WRX	2.0L H4 F/I	33-2232 ♦	HP-1008 ¹	Legacy	2.2L H4 F/I - OEM 16546AA070	33-2154	HP-1008
Impreza WRX STi	2.0L H4 F/I	33-2232 ♦	HP-1008 ¹	Legacy	2.5L H4 F/I		HP-1008 ¹
Legacy	2.5L H4 F/I		HP-1008 ¹	Legacy	2.5L H4 F/I		HP-1008 ¹

* 2 filters required ♦ Intake System Available - see page 81 +Cabin Air Filter Available - see page 453 1- Pro Series Filter Available

AIR & OIL FILTERS

SUBARU

Vehicle	Engine Type	Air Filter	Oil Filter
1999 SUBARU			
Legacy	2.5L H4 F/I - OEM 16546AA020	33-2232	HP-1008
Legacy	2.5L H4 F/I - OEM 16546AA070	33-2154	HP-1008
Legacy II	2.0L H4 F/I	33-2232	
Legacy II	2.2L H4 F/I	33-2232	HP-1008 ¹
Legacy II	2.5L H4 F/I	33-2232	HP-1008 ¹
Legacy III	2.0L H4 F/I	33-2154	
Legacy III	2.5L H4 F/I	33-2154	HP-1008 ¹
1998 SUBARU			
Forester	2.0L H4 F/I	33-2232	
Forester	2.5L H4 F/I	33-2232	HP-1008 ¹
Impreza	1.6L H4 F/I - 95BHP	33-2154	
Impreza	1.8L H4 F/I		HP-1008 ¹
Impreza	2.0L H4 F/I	33-2232 ♦	
Impreza	2.2L H4 F/I		HP-1008 ¹
Impreza	2.5L H4 F/I		HP-1008 ¹
Legacy	2.2L H4 F/I	33-2232	HP-1008 ¹
Legacy	2.5L H4 F/I		HP-1008 ¹
Legacy	2.5L H4 F/I - OEM 16546AA020	33-2232	HP-1008
Legacy	2.5L H4 F/I - OEM 16546AA070	33-2154	HP-1008
Legacy II	2.0L H4 F/I	33-2232	
Legacy II	2.2L H4 F/I	33-2232	HP-1008 ¹
Legacy II	2.5L H4 F/I	33-2232	HP-1008 ¹
Legacy III	2.0L H4 F/I	33-2154	
Legacy III	2.5L H4 F/I	33-2154	HP-1008 ¹
Legacy Outback	2.5L H4 F/I	33-2232	HP-1008 ¹
1997 SUBARU			
Impreza	1.8L H4 F/I	33-2232	HP-1008 ¹
Impreza	2.0L H4 F/I	33-2232 ♦	
Impreza	2.2L H4 F/I		HP-1008 ¹
Legacy	2.2L H4 F/I	33-2232	HP-1008 ¹
Legacy	2.5L H4 F/I		HP-1008 ¹
Legacy	2.5L H4 F/I - OEM 16546AA020	33-2232	HP-1008
Legacy	2.5L H4 F/I - OEM 16546AA070	33-2154	HP-1008
Legacy II	2.2L H4 F/I	33-2232	HP-1008 ¹
Legacy II	2.5L H4 F/I	33-2232	HP-1008 ¹
Legacy Outback	2.5L H4 F/I	33-2232	HP-1008 ¹
1996 SUBARU			
Impreza	1.8L H4 F/I	33-2232	HP-1008 ¹
Impreza	2.0L H4 F/I	33-2232 ♦	
Impreza	2.2L H4 F/I		HP-1008 ¹
Legacy	2.2L H4 F/I	33-2232	HP-1008 ¹
Legacy	2.5L H4 F/I		HP-1008 ¹
Legacy	2.5L H4 F/I - OEM 16546AA020	33-2232	HP-1008
Legacy	2.5L H4 F/I - OEM 16546AA070	33-2154	HP-1008
Legacy II	2.2L H4 F/I	33-2232	HP-1008 ¹
Legacy II	2.5L H4 F/I	33-2232	HP-1008 ¹
Legacy Outback	2.5L H4 F/I	33-2232	HP-1008 ¹
1995 SUBARU			
Impreza	1.8L H4 F/I	33-2232	HP-1008 ¹
Impreza	2.0L H4 F/I	33-2232 ♦	
Impreza	2.2L H4 F/I		HP-1008 ¹
Legacy	2.2L H4 F/I	33-2232	HP-1008 ¹
Legacy II	2.0L H4 F/I	33-2232	
Legacy II	2.2L H4 F/I	33-2232	HP-1008 ¹
1994 SUBARU			
Impreza	1.8L H4 F/I	33-2232	HP-1008 ¹
Impreza	2.0L H4 F/I	33-2232 ♦	

Vehicle	Engine Type	Air Filter	Oil Filter
1994 SUBARU			
Legacy	2.2L H4 F/I - Exc. Turbo		HP-1008 ¹
Legacy	2.2L H4 F/I - Turbo	33-2232	HP-1008 ¹
Legacy I	2.2L H4 F/I	33-2232	HP-1008 ¹
Legacy II	2.2L H4 F/I	33-2232	HP-1008 ¹
SVX	3.3L H6 F/I	33-2232	HP-1004 ¹
1993 SUBARU			
Impreza	1.8L H4 F/I	33-2232	HP-1008 ¹
Legacy	2.2L H4 F/I - Exc. Turbo		HP-1008 ¹
Legacy	2.2L H4 F/I - Turbo	33-2232	HP-1008 ¹
Legacy I	2.0L H4 F/I	33-2232	
Legacy I	2.2L H4 F/I	33-2232	HP-1008 ¹
Loyale	1.8L H4 F/I		HP-2008 ¹
1992 SUBARU			
Legacy	1.8L CARB - GL 4WD	33-2615	
Legacy	2.2L H4 F/I		HP-1008 ¹
Legacy	2.2L H4 F/I - Turbo	33-2232	HP-1008
Legacy I	2.2L H4 F/I	33-2232	HP-1008 ¹
SVX	3.3L H6 F/I	33-2232	HP-1004 ¹
1991 SUBARU			
Justy I	1.2L L3 CARB	E-2630	
Legacy	2.2L H4 F/I	33-2232	HP-1008 ¹
Legacy I	2.2L H4 F/I	33-2232	HP-1008 ¹
1990 SUBARU			
Legacy	2.2L H4 F/I	33-2232	HP-1008 ¹
Legacy I	2.2L H4 F/I	33-2232	HP-1008 ¹
1989 SUBARU			
GL	1.8L H4 CARB		HP-2008 ¹
GL	1.8L H4 F/I		HP-2008 ¹
1988 SUBARU			
GL	1.8L H4 CARB	E-2970	HP-2008 ¹
GL	1.8L H4 F/I		HP-2008 ¹
1966 SUNBEAM			
Tiger	260 V8 CARB	E-2859	HP-3001 ¹
1965 SUNBEAM			
Tiger	260 V8 CARB	E-2859	
1964 SUNBEAM			
Tiger	260 V8 CARB	E-2859	
2016 SUZUKI			
DL650 V-Strom	645	SU-1002	
GSXR1000	999	SU-1009	
GSXR1000	999 - Race Specific	SU-1009R	
2015 SUZUKI			
AN650A Burgman ABS	638	SU-6303	
AN650A Burgman Executive	638	SU-6303	
Boulevard C50	805	SU-8009	KN-138
Boulevard C50T	805	SU-8009	KN-138
Boulevard C90 BOSS	1462		KN-138
Boulevard C90T	1462		KN-138
Boulevard M50	805		KN-138
Boulevard M90	1462		KN-138
Boulevard M109R	1783		KN-138
BOSS			
Boulevard S40	652	SU-6595	KN-137
DL650A V-Strom ABS	645	SU-1002	KN-138
DL650A V-Strom ABS Adventure	645	SU-1002	KN-138

* 2 filters required ♦ Intake System Available - see page 81 +Cabin Air Filter Available - see page 453 1- Pro Series Filter Available

SUZUKI

AIR & OIL FILTERS

Vehicle	Engine Type	Air Filter	Oil Filter	Vehicle	Engine Type	Air Filter	Oil Filter
2015 SUZUKI				2014 SUZUKI			
DL650A V-Strom XT ABS	645	SU-1002	KN-138	GSX1300R Hayabusa	1340 - Race Specific	SU-1308R	KN-138
DL1000 V-Strom ABS	1037	SU-1014	KN-138	GSX1300R Hayabusa	1340	SU-1308	KN-138
DL1000 V-Strom ABS Adventure	1037	SU-1014	KN-138	50th Ann. Edition			
DR200S	199		KN-132	GSX1300R Hayabusa	1340 - Race Specific	SU-1308R	KN-138
DR650S	644	SU-6596	KN-137	50th Ann. Edition			
DRZ400S	398	SU-4000	KN-139	GSXR600	600	SU-7511	KN-138
DRZ400SM	398	SU-4000	KN-139	GSXR600	600 - Race Specific	SU-7511R	KN-138
GSX1300R Hayabusa	1340	SU-1308	KN-138	GSXR750	750	SU-7511	KN-138
GSX1300R Hayabusa	1340 - Race Specific	SU-1308R	KN-138	GSXR750	750 - Race Specific	SU-7511R	KN-138
GSXR600	600	SU-7511	KN-138	GSXR750 50th Ann. Edition	750	SU-7511	KN-138
GSXR600	600 - Race Specific	SU-7511R	KN-138	GSXR750 50th Ann. Edition	750 - Race Specific	SU-7511R	KN-138
GSXR750	750	SU-7511	KN-138	GSXR1000	999	SU-1009	
GSXR750	750 - Race Specific	SU-7511R	KN-138	GSXR1000	999 - Race Specific	SU-1009R	
GSXR1000	999	SU-1009	KN-138	GSXR1000 SE	999	SU-1009	
GSXR1000	999 - Race Specific	SU-1009R	KN-138	GSXR1000 SE	999 - Race Specific	SU-1009R	
GSXS750Z	749	SU-6006		GW250	248	SU-2513	
GW250	248	SU-2513	KN-138	LTA400F KingQuad ASi	376	SU-5002	KN-138
GW250F	248	SU-2513	KN-138	LTA400F KingQuad ASi LE	376	SU-5002	KN-138
LTA400F KingQuad ASi	376	SU-5002	KN-138	LTA400F KingQuad ASi LE	376	SU-5002	KN-138
LTA500 KingQuad AXi	500		KN-138	LTA500XP KingQuad AXi PS	500	SU-7005	KN-138
LTA500XP KingQuad AXi PS	500		KN-138	LTA750 KingQuad AXi PS	750	SU-7005	KN-138
LTA750 KingQuad AXi PS	750		KN-138	LTA750 KingQuad AXi PS LE	750	SU-7005	KN-138
LTA750 KingQuad AXi PS LE	750		KN-138	LTA750X KingQuad AXi 4x4	750	SU-7005	KN-138
LTA750X KingQuad AXi 4x4	750		KN-138	LTA750X KingQuad AXi 4x4 LE	750	SU-7005	KN-138
LTF400F KingQuad FSi	376	SU-5002	KN-138	LTF400F KingQuad FSi	376		KN-138
RMZ250	249	YA-2506XD	KN-207	LTF400F KingQuad FSi LE	376	SU-5002	KN-138
RMZ450	449	YA-2506XD	KN-207	RMZ250	249	YA-2506XD	KN-207
SFV650	645		KN-138	RMZ450	449	YA-2506XD	KN-207
Swift IV	1.6L L4 F/I	33-2075		SFV650	645	SU-6509	
SX4 S-Cross	1.6L L4 F/I	33-2075		Splash	1.0L L3 F/I	33-2949	
TU250X	250		KN-136	Swift IV	1.2L L4 F/I	33-2974	
2014 SUZUKI				Swift IV	1.3L L4 DSL	33-2952	
Alto V	1.0L L3 F/I	33-2968		Swift IV	1.6L L4 F/I	33-2075	HP-1003 ¹
AN400 Burgman ABS	400	SU-4007	KN-131	TU250X	250		KN-136
AN650A Burgman ABS	638	SU-6303	KN-138	2013 SUZUKI			
Boulevard C50 BOSS	805	SU-8009	KN-138	Alto V	1.0L L3 F/I	33-2968	
Boulevard C50T	805	SU-8009	KN-138	AN400 Burgman	400	SU-4007	KN-131
Boulevard M109R	1783	SU-1806	KN-138	AN650A Burgman ABS	638	SU-6303	KN-138
Boulevard M109R BOSS	1783	SU-1806	KN-138	Boulevard C50	805	SU-8009	KN-138
Boulevard M109RZ Limited	1783	SU-1806	KN-138	Boulevard C50 Special Edition	805	SU-8009	KN-138
Boulevard S40	652	SU-6595		Boulevard M50	805	SU-8009	
DL650A V-Strom ABS	645	SU-1002		Boulevard M109R	1783	SU-1806	KN-138
DL650A V-Strom ABS Adventure	645	SU-1002		Boulevard M109R Ltd. Ed.	1773	SU-1806	KN-138
DL1000 V-Strom ABS	1037	SU-1014	KN-138	Boulevard S40	652	SU-6595	
DL1000 V-Strom ABS Adventure	1037	SU-1014	KN-138	DL650A V-Strom ABS	645	SU-1002	KN-138
DR650SE	644	SU-6596	KN-137	DL650A V-Strom ABS Adventure	645	SU-1002	KN-138
DRZ400S	398	SU-4000		DL1000 V-Strom ABS	996	SU-1002	KN-138
DRZ400SM	398	SU-4000		DR650SE	644	SU-6596	KN-137
Grand Vitara	2.4L L4 F/I	33-2429		DRZ400S	398	SU-4000	KN-139
GSR750	750	SU-6006	KN-138	DRZ400SM	398	SU-4000	KN-139
GSX1300R Hayabusa	1340	SU-1308	KN-138	Grand Vitara	2.4L L4 F/I	33-2429	HP-1003 ¹
				GSR750	750	SU-6006	KN-138

* 2 filters required ♦ Intake System Available - see page 81 +Cabin Air Filter Available - see page 453 1- Pro Series Filter Available

AIR & OIL FILTERS

SUZUKI

Vehicle	Engine Type	Air Filter	Oil Filter	Vehicle	Engine Type	Air Filter	Oil Filter
2013 SUZUKI				2012 SUZUKI			
GSX650F	656	SU-6505	KN-138	GSR750	750	SU-6006	KN-138
GSX1250FA	1250	SU-6505		GSR650F	656	SU-6505	
GSX1300R Hayabusa	1340	SU-1308	KN-138	GSX1250FA	1250	SU-6505	
GSX1300R Hayabusa	1340 - Race Specific	SU-1308R	KN-138	GSX1300R Hayabusa	1340	SU-1308	KN-138
GSX1300R Hayabusa	1340	SU-1308	KN-138	GSX1300R Hayabusa	1340 - Race Specific	SU-1308R	KN-138
Limited Edition				GSXR600	600	SU-7511	KN-138
GSX1300R Hayabusa	1340 - Race Specific	SU-1308R	KN-138	GSXR600	600 - Race Specific	SU-7511R	KN-138
Limited Edition				GSXR750	750	SU-7511	KN-138
GSXR600	600	SU-7511	KN-138	GSXR750	750 - Race Specific	SU-7511R	KN-138
GSXR600	600 - Race Specific	SU-7511R	KN-138	GSXR1000	999	SU-1009	
GSXR750	750	SU-7511	KN-138	GSXR1000	999 - Race Specific	SU-1009R	
GSXR750	750 - Race Specific	SU-7511R	KN-138	Kizashi	2.4L L4 F/I	33-2441	HP-1003 ¹
GSXR1000	999	SU-1009	KN-138	LTA400F KingQuad	376		KN-138
GSXR1000	999 - Race Specific	SU-1009R	KN-138	ASi			
GSXR1000 1 Million	999	SU-1009	KN-138	LTA400F KingQuad	376		KN-138
C.E.				Auto 4x4			
GSXR1000 1 Million	999 - Race Specific	SU-1009R	KN-138	LTA500XP KingQuad	500	SU-7005	KN-138
C.E.				AXI PS			
GW250	248	SU-2513	KN-138	LTA750X KingQuad	750	SU-7005	KN-138
Kizashi	2.4L L4 F/I	33-2441	HP-1003 ¹	AXi 4x4			
LTA400F KingQuad	376	SU-5002	KN-138	LTF400F KingQuad	376		KN-138
ASi				4x4			
LTA500XP KingQuad	500	SU-7005	KN-138	LTZ400 QuadSport Z	398	SU-4002	KN-139
AXI PS				LTZ400 QuadSport Z	398	SU-4002	KN-139
LTA750X KingQuad	750	SU-7005	KN-138	LE			
AXi 4x4				RMZ250	249	YA-2506XD	KN-207
LTF250 Ozark	249	SU-2504	KN-132	RMZ450	449	YA-2506XD	KN-207
LTF400F KingQuad	376	SU-5002	KN-138	SFV650	652	SU-6509	KN-138
FSi				Splash	1.0L L3 F/I	33-2949	
LTZ400 QuadSport Z	398	SU-4002	KN-139	Swift IV	1.2L L4 F/I	33-2974	
RMZ250	249	YA-2506XD	KN-207	Swift IV	1.3L L4 DSL	33-2952	
RMZ450	449	YA-2506XD	KN-207	Swift IV	1.6L L4 F/I	33-2075	HP-1003 ¹
SFV650	645	SU-6509		Swift IV	1.6L L4 F/I	33-2075	HP-1003 ¹
Splash	1.0L L3 F/I	33-2949		SX4	2.0L L4 F/I	33-2463	HP-1003 ¹
Swift IV	1.2L L4 F/I	33-2974		SX4	2.0L L4 F/I	33-2463	HP-1003 ¹
Swift IV	1.3L L4 DSL	33-2952		SX4 S-Cross	1.6L L4 F/I	33-2075	
Swift IV	1.6L L4 F/I	33-2075	HP-1003 ¹	TU250X	250		KN-136
SX4	1.6L L4 F/I	33-2075		VL800 Intruder C800	805		KN-138
SX4	2.0L L4 F/I	33-2463	HP-1003 ¹				
SX4 S-Cross	1.6L L4 F/I	33-2075					
TU250X	250		KN-136				
VL800 Intruder C800	805		KN-138				
2012 SUZUKI				2011 SUZUKI			
Alto V	1.0L L3 F/I	33-2968		Alto V	1.0L L3 F/I	33-2968	
AN400 Burgman	400	SU-4007	KN-131	AN400 Burgman	400	SU-4007	KN-131
AN650A Burgman	638	SU-6303	KN-138	AN650A Burgman	638	SU-6303	KN-138
Executive				Executive			
Boulevard C50	805	SU-8009	KN-138	Boulevard C50	805	SU-8009	KN-138
Boulevard M50	805	SU-8009	KN-138	Boulevard M50	805	SU-8009	KN-138
Boulevard M109R	1783	SU-1806	KN-138	Boulevard M109R	1773	SU-1806	KN-138
Boulevard M109R	1783	SU-1806	KN-138	Boulevard M109R	1773	SU-1806	KN-138
Ltd. Ed.				Ltd. Ed.			
Boulevard M109RZ	1783	SU-1806	KN-138	Boulevard M109RZ	1783	SU-1806	KN-138
Limited				Limited			
Boulevard S40	652	SU-6595		Boulevard S40	652	SU-6595	
DL650 V-Strom	645	SU-1002		DR650SE	644	SU-6596	KN-137
DL650A V-Strom	645	SU-1002		DRZ400S	400	SU-4000	KN-139
ABS Adventure				Equator	2.5L L4 F/I	33-2324+	
DL1000 V-Strom	996	SU-1002	KN-138	Equator	4.0L V6 F/I	33-2286+	HP-1010 ¹
DL1000 V-Strom	996	SU-1002	KN-138	Grand Vitara	1.9L L4 DSL - OEM	33-2429	
Adventure				1378017K00			
DR650SE	644	SU-6596	KN-137	Grand Vitara	1.9L L4 DSL - OEM	33-2361	
DRZ400S	398	SU-4000	KN-139	1378065J00			
Equator	2.5L L4 F/I	33-2324+		Grand Vitara	2.4L L4 F/I	33-2429	HP-1003 ¹
Equator	4.0L V6 F/I	33-2286+	HP-1010 ¹	GSF1250 Bandit S	1250	SU-6505	KN-138
Grand Vitara	2.4L L4 F/I	33-2429	HP-1003 ¹	GSR600	600	SU-6006	
GSF1250 Bandit	1250	SU-6505		GSR750	750	SU-6006	KN-138
GSF1250 Bandit S	1250	SU-6505	KN-138	GSX650F	656	SU-6505	KN-138
				GSX1250FA	1250	SU-6505	KN-138
				GSX1300BK B-King	1340	SU-1348	
				GSX1300R Hayabusa	1340	SU-1308	KN-138
				GSX1300R Hayabusa	1340 - Race Specific	SU-1308R	KN-138

* 2 filters required ♦ Intake System Available - see page 81 +Cabin Air Filter Available - see page 453 1- Pro Series Filter Available

SUZUKI

AIR & OIL FILTERS

Vehicle	Engine Type	Air Filter	Oil Filter	Vehicle	Engine Type	Air Filter	Oil Filter
2011 SUZUKI				2010 SUZUKI			
GSXR600	600	SU-7511	KN-138	Swift III	1.3L L4 F/I - VIN JSA	33-2826 ♦	
GSXR600	600 - Race Specific	SU-7511R	KN-138	Swift III	1.3L L4 F/I - Vin JSM	33-2824 ♦	
GSXR750	750	SU-7511	KN-138	Swift III	1.5L L4 F/I	33-2824 ♦	HP-1001 ¹
GSXR750	750 - Race Specific	SU-7511R	KN-138	Swift IV	1.2L L4 F/I	33-2974	
GSXR1000	999	SU-1009	KN-138	SX4	1.5L L4 F/I	33-2954	HP-1003 ¹
GSXR1000	999 - Race Specific	SU-1009R	KN-138	SX4	1.6L L4 F/I - 109BHP	33-2954	
Kizashi	2.4L L4 F/I	33-2441	HP-1003 ¹	SX4	1.6L L4 F/I - 120BHP	33-2075	
LS650 Boulevard	650		KN-137	SX4	2.0L L4 F/I	33-2463	HP-1003 ¹
LTA400F KingQuad Auto 4x4	400		KN-138	VLR1800 C109 Boulevard	1800		KN-138
LTA500XP KingQuad AXI PS	500	SU-7005	KN-138	VZ1500 Intruder M1500	1500		KN-138
LTA750 KingQuad AXi PS	750	SU-7005	KN-138	2009 SUZUKI			
LTA750X KingQuad AXi 4x4	750	SU-7005	KN-138	Alto V	1.0L L3 F/I	33-2968	
LTF400F KingQuad 4x4	400		KN-138	AN400 Burgman	400	SU-4007	KN-131
LTF400F KingQuad 4x4 Camo	400		KN-138	AN400 Burgman ABS	400	SU-4007	KN-131
RMZ250	249	YA-2506XD	KN-207	AN650 Burgman	638	SU-6303	KN-138
RMZ450	449	YA-2506XD	KN-207	AN650A Burgman Executive	638	SU-6303	KN-138
SFV650	652	SU-6509	KN-138	Boulevard C50	805	SU-8009	KN-138
Splash	1.0L L3 F/I	33-2949		Boulevard C50	805	SU-8009	KN-138
Swift IV	1.2L L4 F/I	33-2974		Boulevard C50T	805	SU-8009	KN-138
Swift IV	1.3L L4 DSL	33-2952		Boulevard C90	1500	SU-1598	KN-138
SX4	1.6L L4 F/I	33-2075		Boulevard C90T	1500	SU-1598	KN-138
SX4	2.0L L4 F/I	33-2463	HP-1003 ¹	Boulevard C109R	1800		KN-138
TU250X	250		KN-136	Boulevard C109RT	1800		KN-138
2010 SUZUKI				Boulevard M50	805	SU-8009	KN-138
Alto V	1.0L L3 F/I	33-2968		Boulevard M50 Special Edition	805		KN-138
AN650A Burgman Executive	638	SU-6303	KN-138	Boulevard M90	1500		KN-138
Boulevard C50	805	SU-8009	KN-138	Boulevard M109R	1773	SU-1806	KN-138
Boulevard M50	805	SU-8009	KN-138	Boulevard M109R Ltd. Ed.	1773	SU-1806	KN-138
DRZ400SM	400	SU-4000	KN-139	Boulevard M109R2	1773	SU-1806	KN-138
Equator	4.0L V6 F/I	33-2286+	HP-1010 ¹	Boulevard S40	650	SU-6595	KN-137
FU150 Raider R	147	SU-1506		Boulevard S50	800	SU-7086	KN-138
Grand Vitara	2.0L L4 F/I	33-2361		DL650 V-Strom	645	SU-1002	
Grand Vitara	2.4L L4 F/I	33-2429	HP-1003 ¹	DR200SE	200		KN-132
Grand Vitara	3.2L V6 F/I	33-2429	HP-1017 ¹	DR650SE	650	SU-6596	KN-137
GS500F	500		KN-133	DRZ125	125		KN-132
GSF1250 Bandit	1250	SU-6505		DRZ125L	125	KA-1203	KN-132
GSF1250 Bandit S	1250	SU-6505	KN-138	DRZ400S	400	SU-4000	KN-139
GSR600	600	SU-6006	KN-138	DRZ400SM	400	SU-4000	KN-139
GSX650F	656	SU-6505	KN-138	Equator	2.5L L4 F/I	33-2324+	
GSX1300R Hayabusa	1340	SU-1308	KN-138	Equator	4.0L V6 F/I	33-2286+	
GSX1300R Hayabusa	1340 - Race Specific	SU-1308R	KN-138	FU150 Raider R	147	SU-1506	
GSXR600	600	SU-7506	KN-138	Grand Vitara	2.4L L4 F/I	33-2429	HP-1003 ¹
GSXR600	600 - Race Specific	SU-7506R	KN-138	Grand Vitara	3.2L V6 F/I	33-2429	
GSXR750	750	SU-7506	KN-138	GS500F	500	SU-5589	KN-133
GSXR750	750 - Race Specific	SU-7506R	KN-138	GSF650 Bandit S	650	SU-6505	KN-138
GSXR1000	999	SU-1009		GSF1250 Bandit	1250	SU-6505	KN-138
Jimny	1.3L L4 F/I	33-2162		GSF1250 Bandit S	1250	SU-6505	KN-138
Kizashi	2.4L L4 F/I	33-2441	HP-1003 ¹	GSR600	600	SU-6006	KN-138
LTA450X KingQuad AXi 4x4	450		KN-138	GSX650F	650	SU-6505	KN-138
RMZ250	249	YA-2506XD	KN-207	GSX1300BK B-King	1340	SU-1348	
RMZ450	449	YA-2506XD	KN-207	GSX1300R Hayabusa	1340	SU-1308	KN-138
SFV650	652	SU-6509	KN-138	GSX1300R Hayabusa	1340 - Race Specific	SU-1308R	KN-138
Splash	1.0L L3 F/I	33-2949		GSXR600	600	SU-7506	KN-138
Splash	1.2L L4 F/I - 86BHP	33-2949		GSXR600	600 - Race Specific	SU-7506R	KN-138
SV650 SA	650		KN-138	GSXR750	750	SU-7506	KN-138
SV650S	650		KN-138	GSXR750	750 - Race Specific	SU-7506R	KN-138
Swift III	1.3L L4 DSL - to 9/10	33-2952		GSXR1000	999	SU-1009	
				GSXR1000	999 - Race Specific	SU-1009R	
				GZ250 Marauder	250		KN-136

* 2 filters required ♦ Intake System Available - see page 81 +Cabin Air Filter Available - see page 453 1- Pro Series Filter Available

AIR & OIL FILTERS

SUZUKI

Vehicle	Engine Type	Air Filter	Oil Filter	Vehicle	Engine Type	Air Filter	Oil Filter
2009 SUZUKI				2008 SUZUKI			
Jimny	1.3L L4 F/I	33-2162		DRZ125	125		KN-132
LTA400F KingQuad Auto 4x4	400		KN-138	DRZ125L	125	KA-1203	KN-132
LTA400F KingQuad Auto 4x4 Camo	400	SU-5002	KN-138	DRZ400E	400	SU-4000	KN-139
LTA450X KingQuad AXi 4x4	450	SU-7005	KN-138	DRZ400S	400	SU-4000	KN-139
LTA450X KingQuad AXi 4x4 Camo	450	SU-7005	KN-138	DRZ400SM	400	SU-4000	KN-139
LTA500XP KingQuad AXI PS	500	SU-7005	KN-138	Forenza	2.0L L4 F/I	33-2330	HP-1001 ¹
LTA750X KingQuad AXi 4x4	750	SU-7005	KN-138	Grand Vitara	2.0L L4 F/I	33-2361	
LTR450 QuadRacer	450	SU-4506	KN-139	Grand Vitara	2.7L V6 F/I	33-2361	HP-1002 ¹
LTZ400 QuadSport Z	398	SU-4002	KN-139	GS500F	500	SU-5589	KN-133
RMZ250	250	YA-2506XD	KN-207	GS500H	500		KN-133
RMZ450	450	YA-2506XD	KN-207	GSF650 Bandit S	650	SU-6505	
SFV650	652	SU-6509	KN-138	GSF1250 Bandit S	1250	SU-6505	KN-138
SV650	650	SU-6503	KN-138	GSR600	600	SU-6006	KN-138
SV650S	650	SU-6503	KN-138	GSX650F	650	SU-6505	KN-138
SV650SF	650	SU-6503	KN-138	GSX1300BK B-King	1340	SU-1348	KN-138
Swift	1.5L L4 F/I	33-2824	HP-1001 ¹	GSX1300R Hayabusa	1340	SU-1308	KN-138
Swift III	1.3L L4 DSL	33-2952		GSX1300R Hayabusa	1340 - Race Specific	SU-1308R	KN-138
Swift III	1.3L L4 F/I - VIN JSA	33-2826 ♦		GSXR600	600	SU-7506	KN-138
Swift III	1.3L L4 F/I - Vin JSM	33-2824 ♦		GSXR600	600 - Race Specific	SU-7506R	KN-138
Swift III	1.5L L4 F/I	33-2824 ♦		GSXR750	750	SU-7506	KN-138
Swift III	1.6L L4 F/I	33-2824 ♦		GSXR750	750 - Race Specific	SU-7506R	KN-138
SX4	1.5L L4 F/I	33-2954		GSXR1000	999	SU-1005	KN-138
SX4	1.6L L4 F/I - 109BHP	33-2954		GSXR1000	999 - Race Specific	SU-1005R	KN-138
SX4	1.6L L4 F/I - 120BHP	33-2075		GZ250 Marauder	250		KN-136
SX4	1.9L L4 DSL	33-2399		Jimny	1.3L L4 F/I	33-2162	
SX4	2.0L L4 F/I	33-2371	HP-1003 ¹	LTA400F KingQuad Auto 4x4	400	SU-5002	KN-138
TU250X	250		KN-136	LTA400F KingQuad Auto 4x4 Camo	400	SU-5002	KN-138
VL1500LC Intruder	1500		KN-138	LTA450X KingQuad AXi 4x4	450	SU-7005	KN-138
VZ1500 Boulevard	1500		KN-138	LTA450X KingQuad AXi 4x4 Camo	450	SU-7005	KN-138
XL-7	3.6L V6 F/I	33-2249		LTA700X KingQuad 4x4	700		KN-138
2008 SUZUKI				LTA750X KingQuad AXi 4x4	750	SU-7005	KN-138
AN400 Burgman	400	SU-4007	KN-131	LTF250 Ozark	250	SU-2504	KN-132
AN650 Burgman	638	SU-6303	KN-138	LTF400F KingQuad 4x4	400	SU-5002	KN-138
AN650A Burgman Executive	638	SU-6303	KN-138	LTF400F KingQuad 4x4 Camo	400	SU-5002	KN-138
Boulevard C50	805	SU-8001	KN-138	LTR450 QuadRacer	450	SU-4506	KN-139
Boulevard C50	805		KN-138	LTR450 QuadRacer Limited Edition	450	SU-4506	KN-139
Custom Volusia				LTZ250 QuadSport Z	246	SU-2504	KN-132
Boulevard C50 Limited Edition	805	SU-8001	KN-138	LTZ400 QuadSport Z	398	SU-4002	KN-139
Boulevard C50 Volusia	805		KN-138	LTZ400 QuadSport Z LE	398	SU-4002	KN-139
Boulevard C50T	805	SU-8001	KN-138	Reno	2.0L L4 F/I	33-2330	
Boulevard C90	1500	SU-1598	KN-138	RMZ250	250	YA-2506XD	KN-207
Boulevard C90 Black	1500	SU-1598	KN-138	RMZ450	450	YA-2506XD	KN-207
Boulevard C90T	1500	SU-1598	KN-138	SV650	650	SU-6503	KN-138
Boulevard C109R	1800		KN-138	SV650S	650	SU-6503	KN-138
Boulevard C109RT	1800		KN-138	Swift	1.5L L4 F/I	33-2824	HP-1001 ¹
Boulevard C109T	1800		KN-138	Swift III	1.3L L4 DSL	33-2952	
Boulevard M50	805	SU-8005	KN-138	Swift III	1.3L L4 F/I - VIN JSA	33-2826 ♦	
Boulevard M109R	1773	SU-1806	KN-138	Swift III	1.5L L4 F/I	33-2824 ♦	
Boulevard M109R Ltd. Ed.	1773	SU-1806	KN-138	Swift III	1.6L L4 F/I	33-2824 ♦	
Boulevard M109R2	1773	SU-1806	KN-138	SX4	1.5L L4 F/I	33-2954	
Boulevard S40	650	SU-6595	KN-137	SX4	1.6L L4 F/I	33-2954	
Boulevard S50	800	SU-7086	KN-138	SX4	1.9L L4 DSL	33-2399	
DL1000 V-Strom	996	SU-1002		SX4	2.0L L4 F/I	33-2371	HP-1003 ¹
DR200SE	200		KN-132	VL800 Intruder C800	805		KN-138
DR650SE	650	SU-6596	KN-137	VLR1800 C109 Boulevard	1800		KN-138

* 2 filters required ♦ Intake System Available - see page 81 +Cabin Air Filter Available - see page 453 1- Pro Series Filter Available

Partial Listing - Complete List of Vehicles and Applications at knfilters.com

SUZUKI

AIR & OIL FILTERS

Vehicle	Engine Type	Air Filter	Oil Filter	Vehicle	Engine Type	Air Filter	Oil Filter
2008 SUZUKI				2007 SUZUKI			
VZ800 Marauder	800	SU-8005	KN-138	LTA400F Eiger Auto	400	SU-5002	KN-138
Wagon R Plus	1.0L L4 F/I	33-2826		4x4 Hunter X Hunter			
XL-7	3.6L V6 F/I	33-2249	HP-1017 ¹	LTA450X KingQuad	450	SU-7005	KN-138
2007 SUZUKI				2007 SUZUKI			
Aerio	2.3L L4 F/I	33-2282	HP-1003 ¹	LTA450X KingQuad	450	SU-7005	KN-138
AN400 Burgman	400	SU-4007	KN-131	4x4 Camo			
AN650 Burgman	638	SU-6303	KN-138	LTA500F Vinson Auto	500		KN-138
AN650A Burgman	638	SU-6303	KN-138	4x4			
Executive				LTA700X KingQuad	700	SU-7005	KN-138
Boulevard C50	805	SU-8001	KN-138	4x4			
Boulevard C50 Black	805	SU-8001	KN-138	LTA700X KingQuad	700	SU-7005	KN-138
Boulevard C50	805	SU-8001	KN-138	4x4 Camo			
Limited Edition				LTF250 Ozark	250	SU-2504	KN-132
Boulevard C50	805		KN-138	LTF400F Eiger 4x4	400	SU-5002	KN-138
Volusia				LTF400F Eiger 4x4	400	SU-5002	KN-138
Boulevard C50T	805	SU-8001	KN-138	Camo			
Boulevard C90	1500	SU-1598	KN-138	LTF500F Vinson 4x4	500		KN-138
Boulevard C90 Black	1500	SU-1598	KN-138	Camo		SU-5002	KN-138
Boulevard C90T	1500	SU-1598	KN-138	LTR450 QuadRacer	450	SU-4506	KN-139
Boulevard M50	805	SU-8005	KN-138	LTZ90 QuadSport	90		KN-131
Boulevard M50	805	SU-8005	KN-138	LTZ250 QuadSport Z	246	SU-2504	KN-132
Limited				LTZ400 QuadSport Z	398	SU-4002	KN-139
Boulevard M109R	1773	SU-1806	KN-138	Reno	2.0L L4 F/I	33-2330	
Boulevard M109R	1773	SU-1806	KN-138	RMZ250	250	YA-2506XD	KN-207
Ltd. Ed.				RMZ450	450	YA-2506XD	KN-207
Boulevard S40	650	SU-6595	KN-137	SV650	650	SU-6503	KN-138
Boulevard S50	800	SU-7086	KN-138	SV650A ABS	650	SU-6503	
Boulevard S83	1400	SU-1487	KN-138	SV650S	650	SU-6503	KN-138
DL650 V-Strom	645	SU-1002		SV1000S	1000	SU-6503	KN-138
DR200SE	200		KN-132	Swift III	1.3L L4 DSL	33-2952	
DR650SE	650	SU-6596	KN-137	Swift III	1.3L L4 F/I - VIN JSA	33-2826 ♦	
DRZ125	125	KA-1203	KN-132	Swift III	1.3L L4 F/I - Vin JSM	33-2824 ♦	
DRZ125L	125	KA-1203	KN-132	SX4	1.5L L4 F/I	33-2954	
DRZ400E	400	SU-4000	KN-139	SX4	1.6L L4 F/I	33-2954	
DRZ400S	400	SU-4000	KN-139	SX4	1.9L L4 DSL	33-2399	
DRZ400SM	400	SU-4000	KN-139	SX4	2.0L L4 F/I	33-2371	HP-1003 ¹
Foreza	2.0L L4 F/I	33-2330	HP-1001 ¹	VL800 Intruder C800	805		KN-138
Grand Vitara	1.9L L4 DSL	33-2361		VL1500LC Intruder	1500	SU-1598	KN-138
Grand Vitara	2.0L L4 F/I	33-2361		VS800 Intruder	800		KN-138
Grand Vitara	2.7L V6 F/I	33-2361	HP-1002 ¹	VZR1800 Intruder	1800	SU-1806	KN-138
GS500	500	SU-5589	KN-133	XL-7	3.6L V6 F/I	33-2249	HP-1017 ¹
GS500F	500	SU-5589	KN-133	2006 SUZUKI			
GS500H	500		KN-133	Aerio	2.3L L4 F/I	33-2282	HP-1003 ¹
GSF650 Bandit	650	SU-6505	KN-138	AN400 Burgman	400	SU-2599	KN-132
GSF650 Bandit S	650	SU-6505	KN-138	AN400 Burgman	400	SU-2599	KN-132
GSF1250 Bandit S	1250	SU-6505	KN-138	Type S			
GSR600	600	SU-6006	KN-138	AN650 Burgman	638	SU-6303	KN-138
GSX1300BK B-King	1340	SU-1348		AN650A Burgman	638		KN-138
GSX1300R Hayabusa	1300	SU-1399	KN-138	Executive			
GSX1400	1400	SU-1402		Boulevard C50	805	SU-8001	KN-138
GSXR600	600	SU-7506	KN-138	Boulevard C50 Black	805	SU-8001	KN-138
GSXR600	600 - Race Specific	SU-7506R	KN-138	Boulevard C50T	805	SU-8001	KN-138
GSXR750	750	SU-7506	KN-138	Boulevard C90	1500	SU-1598	KN-138
GSXR750	750 - Race Specific	SU-7506R	KN-138	Boulevard C90 Black	1500	SU-1598	KN-138
GSXR1000	999	SU-1005	KN-138	Boulevard C90T	1500	SU-1598	KN-138
GSXR1000	999 - Race Specific	SU-1005R	KN-138	Boulevard M50	805	SU-8005	KN-138
GZ250 Marauder	250		KN-136	Boulevard M50 Black	805	SU-8005	KN-138
Jimny	1.3L L4 F/I	33-2162		Boulevard M109R	1773	SU-1806	KN-138
LS650 Boulevard	650		KN-137	Boulevard S40	650	SU-6595	KN-137
LS650 Savage	650		KN-137	Boulevard S50	800	SU-7086	KN-138
LTA400F Eiger Auto	400	SU-5002	KN-138	Boulevard S83	1400	SU-1487	KN-138
4x4				DL650 V-Strom	645	SU-1002	
LTA400F Eiger Auto	400	SU-5002	KN-138	DL1000 V-Strom	996	SU-1002	
4x4 Camo				DR200SE	200		KN-132

* 2 filters required ♦ Intake System Available - see page 81 +Cabin Air Filter Available - see page 453 1- Pro Series Filter Available

AIR & OIL FILTERS

SUZUKI

Vehicle	Engine Type	Air Filter	Oil Filter	Vehicle	Engine Type	Air Filter	Oil Filter
2006 SUZUKI				2006 SUZUKI			
DR650SE	650	SU-6596	KN-137	VS1400GLP Intruder	1400		KN-138
DRZ125	125	KA-1203	KN-132	VZR1800 Intruder	1800	SU-1806	KN-138
DRZ125L	125	KA-1203	KN-132	Wagon R Plus	1.0L L4 F/I	33-2826	
DRZ400E	400	SU-4000	KN-139	Wagon R Plus	1.2L L4 F/I	33-2826	
DRZ400S	400	SU-4000	KN-139	XL-7	2.7L V6 F/I	33-2327	HP-1002 ¹
DRZ400SM	400	SU-4000	KN-139	2005 SUZUKI			
Forenza	2.0L L4 F/I	33-2330	HP-1001 ¹	Aerio	2.3L L4 F/I	33-2282	HP-1003 ¹
FU150 Raider R	147	SU-1506		AN400 Burgman	400	SU-2599	KN-132
Grand Vitara	2.0L L4 F/I	33-2361		AN400 Burgman	400	SU-2599	KN-132
Grand Vitara	2.7L V6 F/I	33-2361	HP-1002 ¹	Type S			
GS500	500	SU-5589		AN650 Burgman	638	SU-6303	KN-138
GS500F	500	SU-5589	KN-133	Boulevard C50	805	SU-8001	KN-138
GSF650 Bandit	650	SU-6505	KN-138	Boulevard C50 Black	805	SU-8001	KN-138
GSF650 Bandit S	650	SU-6505	KN-138	Boulevard C50T	805	SU-8001	KN-138
GSF1200 Bandit	1200	SU-6505	KN-138	Boulevard C90	1500	SU-1598	KN-138
GSF1200 Bandit S	1200	SU-6505	KN-138	Boulevard C90 Black	1500	SU-1598	KN-138
GSR600	600	SU-6006	KN-138	Boulevard C90T	1500	SU-1598	KN-138
GSX600F Katana	600	SU-7592	KN-138	Boulevard M50	805	SU-8005	KN-138
GSX750F Katana	750	SU-7592	KN-138	Boulevard M50 Black	805	SU-8005	KN-138
GSX1300R Hayabusa	1300	SU-1399	KN-138	Boulevard S40	650	SU-6595	KN-137
GSX1300R Hayabusa Limited Edition	1300	SU-1399	KN-138	Boulevard S50	800	SU-7086	KN-138
GSX1400	1400	SU-1402		Boulevard S83	1400	SU-1487	KN-138
GSXR600	600	SU-7506	KN-138	DL1000 V-Strom	996	SU-1002	
GSXR600	600 - Race Specific	SU-7506R	KN-138	DR200SE	200		KN-132
GSXR750	750	SU-7506	KN-138	DR650SE	650	SU-6596	KN-137
GSXR750	750 - Race Specific	SU-7506R	KN-138	DRZ110	110		KN-112
GSXR1000	999	SU-1005	KN-138	DRZ125	125	KA-1203	KN-132
GSXR1000	999 - Race Specific	SU-1005R	KN-138	DRZ125L	125	KA-1203	KN-132
GZ250 Marauder	250		KN-136	DRZ400E	400	SU-4000	KN-139
LS650 Boulevard	650		KN-137	DRZ400S	400	SU-4000	KN-139
LS650 Savage	650		KN-137	DRZ400SM	400	SU-4000	KN-139
LT80 QuadSport	80	SU-8087		Forenza	2.0L L4 F/I	33-2330	HP-1001 ¹
LTA400F Eiger Auto 4x4	400	SU-5002	KN-138	Grand Vitara	2.5L V6 F/I	33-2155	
LTA400F Eiger Auto 4x4 Camo	400	SU-5002	KN-138	GS500	500	SU-5589	KN-133
LTA500F Vinson Auto 4x4	500	SU-5002	KN-138	GS500F	500	SU-5589	KN-133
LTA700X KingQuad 4x4	700	SU-7005	KN-138	GSF650 Bandit	650	SU-6505	KN-138
LTA700X KingQuad 4x4 Camo	700	SU-7005	KN-138	GSF650 Bandit S	650	SU-6505	KN-138
LTF250 Ozark	250	SU-2504	KN-132	GSF1200 Bandit	1200		KN-138
LTF400F Eiger 4x4	400	SU-5002	KN-138	GSF1200 Bandit S	1200	SU-6000	KN-138
LTF400F Eiger 4x4 Camo	400	SU-5002	KN-138	GSX600F Katana	600	SU-7592	KN-138
LTF500F Vinson 4x4	500	SU-5002	KN-138	GSX750F Katana	750	SU-7592	KN-138
LTF500F Vinson 4x4 Camo	500	SU-5002	KN-138	GSX1300R Hayabusa	1300	SU-1399	KN-138
LTR450 QuadRacer	450	SU-4506	KN-139	GSXR600	600	SU-7504	KN-138
LTZ250 QuadSport Z	246	SU-2504	KN-132	GSXR750	750	SU-7504	KN-138
LTZ400 QuadSport Z	398	SU-4002	KN-139	GSXR1000	999	SU-1005	KN-138
Reno	2.0L L4 F/I	33-2330	HP-1001 ¹	GSXR1000	999 - Race Specific	SU-1005R	KN-138
RM125	125	YA-2506XD		GZ250 Marauder	250		KN-136
RMZ250	250	KA-2504	KN-207	Jimny	1.3L L4 F/I	33-2162	
RMZ450	450	YA-2506XD	KN-207	Liana	1.6L L4 F/I - OEM 243mm x 162mm	33-2282	
SV650	650	SU-6503	KN-138	LS650 Boulevard	650		KN-137
SV650S	650	SU-6503	KN-138	LTA400F Eiger Auto 4x4	400	SU-5002	KN-138
SV1000	1000		KN-138	LTA400F Eiger Auto 4x4 Camo	400	SU-5002	KN-138
SV1000S	1000	SU-6503	KN-138	LTA500F Vinson Auto 4x4	500	SU-5002	KN-138
Swift III	1.3L L4 F/I - VIN JSA	33-2826 ♦		LTA700X KingQuad 4x4	700	SU-7005	KN-138
Verona	2.5L L6 F/I	33-2325		LTF250 Ozark	250	SU-2504	KN-132
VL800 Intruder C800	805		KN-138	LTF400F Eiger 4x4	400	SU-5002	KN-138
VL1500LC Intruder	1500		KN-138	LTF400F Eiger 4x4 Camo	400	SU-5002	KN-138
				LTF500F Vinson 4x4	500	SU-5002	KN-138

* 2 filters required ♦ Intake System Available - see page 81 +Cabin Air Filter Available - see page 453 1- Pro Series Filter Available

SUZUKI

AIR & OIL FILTERS

Vehicle	Engine Type	Air Filter	Oil Filter	Vehicle	Engine Type	Air Filter	Oil Filter
2005 SUZUKI				2004 SUZUKI			
LTF500F Vinson 4x4 Camo	500	SU-5002	KN-138	RMZ250	250	KA-2504	KN-207
LTZ250 QuadSport Z	246	SU-2504	KN-132	SV650	650	SU-6503	KN-138
LTZ400 QuadSport Z	398	SU-4002	KN-139	SV650S	650	SU-6503	KN-138
Reno	2.0L L4 F/I	33-2330	HP-1001 ¹	SV1000	1000	SU-6503	KN-138
RMZ250	250	KA-2504	KN-207	SV1000S	1000	SU-6503	KN-138
RMZ450	450	YA-2506XD	KN-207	Verona	2.5L L6 F/I	33-2325	
SV650	650	SU-6503	KN-138	Vitara	2.5L V6 F/I	33-2155	HP-1002 ¹
SV650S	650	SU-6503	KN-138	VL800LC Intruder	800	SU-8001	KN-138
SV1000	1000		KN-138	Volusia			
SV1000S	1000	SU-6503	KN-138	VL1500LC Intruder	1500	SU-1598	KN-138
Swift III	1.3L L4 DSL	33-2952		VS800 Intruder	800	SU-7086	KN-138
Swift III	1.3L L4 F/I - VIN JSA	33-2826 ♦		VS1400GLP Intruder	1400	SU-1487	KN-138
Swift III	1.5L L4 F/I	33-2824 ♦		VZ800 Marauder	800		KN-138
VL800 Intruder C800	805		KN-138	VZ800 Marauder	800 - Jet kit required, purchase separately	SU-5589*	KN-138
VL1500LC Intruder	1500	SU-1598	KN-138	VZ1600 Marauder	1600	KA-1596	KN-204
VS800 Intruder	800		KN-138	Wagon R Plus	1.3L L4 F/I	33-2242	
VS1400GLP Intruder	1400		KN-138	XL-7	2.7L V6 F/I	33-2327	HP-1002 ¹
VZ800 Marauder	800	SU-8005		2003 SUZUKI			
Wagon R Plus	1.0L L4 F/I	33-2826		Aerio	2.0L L4 F/I		HP-1003 ¹
XL-7	2.7L V6 F/I	33-2327	HP-1002 ¹	AN400 Burgman	400	SU-2599	KN-132
2004 SUZUKI				AN400 Burgman Type S	400	SU-2599	KN-132
Aerio	2.3L L4 F/I	33-2282	HP-1003 ¹	AN650 Burgman	638	SU-6303	KN-138
AN400 Burgman	400	SU-2599	KN-132	DR650SE	650	SU-6596	KN-137
AN400 Burgman Type S	400	SU-2599	KN-132	DRZ110	110		KN-112
AN650 Burgman	638	SU-6303	KN-138	DRZ125	125	KA-1203	KN-132
DR200SE	200		KN-132	DRZ125L	125	KA-1203	KN-132
DR650SE	650	SU-6596	KN-137	DRZ400	400	SU-4000	KN-139
DRZ125	125	KA-1203	KN-132	DRZ400E	400	SU-4000	KN-139
DRZ125L	125	KA-1203	KN-132	DRZ400S	400	SU-4000	KN-139
DRZ400	400	SU-4000	KN-139	Grand Vitara	2.5L V6 F/I	33-2155	HP-1002 ¹
DRZ400E	400	SU-4000	KN-139	GSF600 Bandit S	600	SU-6000	KN-138
DRZ400S	400	SU-4000	KN-139	GSF1200 Bandit	1200	SU-6000	KN-138
Forenza	2.0L L4 F/I		HP-1001 ¹	GSF1200 Bandit S	1200	SU-6000	KN-138
Grand Vitara	2.5L V6 F/I	33-2155	HP-1002 ¹	GSX600F Katana	600	SU-7592	KN-138
Grand Vitara	2.7L V6 F/I	33-2155		GSX750F Katana	750	SU-7592	KN-138
GS500	500	SU-5589	KN-133	GSX1300R Hayabusa	1300	SU-1399	KN-138
GS500F	500	SU-5589	KN-133	GSXR600	600	SU-7500	KN-138
GSF1200 Bandit	1200		KN-138	GSXR750	750	SU-7500	KN-138
GSF1200 Bandit S	1200	SU-6000	KN-138	GZ250 Marauder	250		KN-136
GSX600F Katana	600	SU-7592	KN-138	Jimny	1.3L L4 F/I	33-2162	
GSX750F Katana	750	SU-7592	KN-138	Jimny	1.5L L4 DSL	33-2162	
GSX1300R Hayabusa	1300	SU-1399	KN-138	LS650 Savage	650	SU-6595	KN-137
GSX1400	1400	SU-1402		LT80 QuadSport	80	SU-8087	
GSXR600	600	SU-7504	KN-138	LTA400F Eiger Auto 4x4	400		KN-138
GSXR750	750	SU-7504	KN-138	LTA400F Eiger Auto 4x4 Camo	400	SU-5002	KN-138
GSXR1000	999	SU-7500		LTA500F Vinson Auto 4x4	500	SU-5002	KN-138
GZ250 Marauder	250		KN-136	LTF250 Ozark	250	SU-2504	KN-132
Jimny	1.3L L4 F/I	33-2162		LTF400F Eiger 2x4	400		KN-138
LS650 Savage	650	SU-6595	KN-137	LTF400F Eiger 4x4	400	SU-5002	KN-138
LT80 QuadSport	80	SU-8087		LTF500F Vinson 4x4	500	SU-5002	KN-138
LTA400F Eiger Auto 4x4	400	SU-5002	KN-138	LTZ400 QuadSport Z	398	SU-4002	KN-139
LTA400F Eiger Auto 4x4 Camo	400	SU-5002	KN-138	SV650	650	SU-6503	KN-138
LTA500F Vinson Auto 4x4	500	SU-5002	KN-138	SV650S	650	SU-6503	KN-138
LTF250 Ozark	250	SU-2504	KN-132	SV1000	1000	SU-6503	KN-138
LTF400F Eiger 4x4	400	SU-5002	KN-138	SV1000S	1000	SU-6503	KN-138
LTF500F Vinson 4x4	500	SU-5002	KN-138	TL1000R	1000	SU-0015	KN-138
LTV700 Twin Peaks 4x4	700	KA-6503	KN-204	Vitara	2.0L L4 F/I	33-2155	HP-1003 ¹
LTZ250 QuadSport Z	246	SU-2504	KN-132	VL800LC Intruder	800	SU-8001	KN-138
LTZ400 QuadSport Z	398	SU-4002	KN-139	Volusia			
				VL1500LC Intruder	1500	SU-1598	KN-138
				VS800 Intruder	800	SU-7086	KN-138
				VS1400GLP Intruder	1400	SU-1487	KN-138

* 2 filters required ♦ Intake System Available - see page 81 +Cabin Air Filter Available - see page 453 1- Pro Series Filter Available

AIR & OIL FILTERS

SUZUKI

Vehicle	Engine Type	Air Filter	Oil Filter
2003 SUZUKI			
VZ800 Marauder	800		KN-138
VZ800 Marauder	800 - Jet kit required, purchase separately	SU-5589*	KN-138
XL-7	2.7L V6 F/I	33-2155	HP-1002 ¹
2002 SUZUKI			
Aerio	2.0L L4 F/I	33-2258 ♦	HP-1003 ¹
DR200SE	200		KN-132
DR650SE	650	SU-6596	KN-137
DRZ400	400	SU-4000	KN-139
DRZ400E	400	SU-4000	KN-139
DRZ400S	400	SU-4000	KN-139
Esteem	1.8L L4 F/I	33-2162	
Grand Vitara	2.5L V6 F/I	33-2155	HP-1002 ¹
Grand Vitara	2.7L V6 F/I	33-2155	
GS500	500	SU-5589	KN-133
GSF600 Bandit S	600	SU-6000	KN-138
GSF1200 Bandit	1200	SU-6000	KN-138
GSF1200 Bandit S	1200	SU-6000	KN-138
GSX600F Katana	600	SU-7592	KN-138
GSX750	750		KN-137
GSX750 Retro	750		KN-138
GSX750F Katana	750	SU-7592	KN-138
GSX1300R Hayabusa	1300	SU-1399	KN-138
GSXR600	600	SU-7500	KN-138
GSXR750	750	SU-7500	KN-138
GZ250 Marauder	250		KN-136
LS650 Savage	650	SU-6595	KN-137
LTA500F Vinson Auto 4x4	500	SU-5002	KN-138
LTF250 Ozark	250	SU-2504	KN-132
LTF300 King Quad	300	SU-2588	KN-132
LTF400F Eiger 4x4	400		KN-138
LTF500F Quadrunner	500	SU-5098	KN-138
LTF500F Vinson 4x4	500		KN-138
SV650	650	SU-6599	KN-138
SV650S	650	SU-6599	KN-138
TL1000R	1000	SU-0015	KN-138
Vitara	2.0L L4 F/I	33-2155	HP-1003 ¹
VL800LC Intruder	800	SU-8001	KN-138
Volusia			
VL1500LC Intruder	1500	SU-1598	KN-138
VS800 Intruder	800	SU-7086	KN-138
VS1400GLP Intruder	1400	SU-1487	KN-138
VZ800 Marauder	800		KN-138
VZ800 Marauder	800 - Jet kit required, purchase separately	SU-5589*	KN-138
XL-7	2.7L V6 F/I	33-2155	HP-1002 ¹
2001 SUZUKI			
Baleno	1.6L L4 F/I	33-2790	
DR200SE	200		KN-132
DR650SE	650	SU-6596	KN-137
DRZ250	250	SU-2501	KN-136
DRZ400	400	SU-4000	KN-139
DRZ400E	400	SU-4000	KN-139
DRZ400S	400	SU-4000	KN-139
Esteem	1.8L L4 F/I	33-2162	
Grand Vitara	2.5L V6 F/I	33-2155	HP-1002 ¹
Grand Vitara	2.7L V6 F/I	33-2155	HP-1002 ¹
GS500	500	SU-5589	KN-133
GSF600 Bandit	600	SU-6000	KN-138
GSF600 Bandit S	600	SU-6000	KN-138
GSF1200 Bandit	1200	SU-6000	KN-138
GSF1200 Bandit S	1200	SU-6000	KN-138
GSX600F Katana	600	SU-7592	KN-138
GSX750F Katana	750	SU-7592	KN-138
GSX1300R Hayabusa	1300	SU-1399	KN-138
GSXR600	600	SU-7596	KN-138
GSXR750	750	SU-7500	KN-138
GZ250 Marauder	250		KN-136
Jimny	1.3L L4 F/I	33-2162	
LS650 Savage	650	SU-6595	KN-137
LT80 Quadsport	80	SU-8087	
LTA500 Quadmaster	500	SU-5098	KN-138
LTF160 Quadrunner	160	SU-1691	KN-132
LTF250 Quadrunner 4x4	250	SU-2588	KN-132
LTF300 King Quad	300	SU-2588	KN-132
LTF500F Quadrunner	500	SU-5098	KN-138
RM125	125	SU-2596	
SV650	650	SU-6599	KN-138
SV650S	650	SU-6599	KN-138
Swift	1.3L L4 F/I	E-9132	HP-1002 ¹

Vehicle	Engine Type	Air Filter	Oil Filter
2001 SUZUKI			
GSX750	750		KN-137
GSX750 Retro	750		KN-138
GSX750F Katana	750	SU-7592	KN-138
GSX1300R Hayabusa	1300	SU-1399	KN-138
GSX1400	1400	SU-1402	
GSXR600	600	SU-7500	KN-138
GSXR750	750	SU-7500	KN-138
GZ250 Marauder	250		KN-136
Jimny	1.3L L4 F/I	33-2162	
LS650 Savage	650	SU-6595	KN-137
LTA500 Quadmaster	500	SU-5098	KN-138
LTF160 Quadrunner	160	SU-1691	KN-132
LTF250 Quadrunner 4x4	250	SU-2588	KN-132
LTF300 King Quad	300	SU-2588	KN-132
LTF500F Quadrunner	500		KN-138
RM250	250	SU-2596	
SV650	650	SU-6599	KN-138
SV650S	650	SU-6599	KN-138
Swift II	1.3L L4 F/I - Exc., 101BHP	E-9209	
TL1000R	1000	SU-0015	KN-138
Vitara	2.0L L4 F/I	33-2155	HP-1003 ¹
VL800LC Intruder	800	SU-8001	KN-138
Volusia			
VL1500LC Intruder	1500	SU-1598	KN-138
VS800 Intruder	800	SU-7086	KN-138
VS1400GLP Intruder	1400	SU-1487	KN-138
VZ800 Marauder	800		KN-138
VZ800 Marauder	800 - Jet kit required, purchase separately	SU-5589*	KN-138
2000 SUZUKI			
DR650SE	650	SU-6596	KN-137
DRZ400	400	SU-4000	KN-139
DRZ400E	400	SU-4000	KN-139
DRZ400S	400	SU-4000	KN-139
Esteem	1.6L L4 F/I	33-2162	
Esteem	1.8L L4 F/I	33-2162	
Grand Vitara	2.0L L4 DSL	33-2155	
Grand Vitara	2.0L L4 F/I	33-2155	
Grand Vitara	2.5L V6 F/I	33-2155	HP-1002 ¹
GS500E	500	SU-5589	KN-133
GSF600 Bandit	600		KN-138
GSF600 Bandit S	600	SU-6000	KN-138
GSF1200 Bandit	1200		KN-138
GSF1200 Bandit S	1200	SU-7593	KN-138
GSX600F Katana	600	SU-7592	KN-138
GSX750F Katana	750	SU-7592	KN-138
GSX1300R Hayabusa	1300	SU-1399	KN-138
GSXR600	600	SU-7596	KN-138
GSXR750	750	SU-7500	KN-138
GZ250 Marauder	250		KN-136
Jimny	1.3L L4 F/I	33-2162	
LS650 Savage	650	SU-6595	KN-137
LT80 Quadsport	80	SU-8087	
LTA500 Quadmaster	500	SU-5098	KN-138
LTF160 Quadrunner	160	SU-1691	KN-132
LTF250 Quadrunner 4x4	250	SU-2588	KN-132
LTF300 King Quad	300	SU-2588	KN-132
LTF500F Quadrunner	500	SU-5098	KN-138
RM125	125	SU-2596	
SV650	650	SU-6599	KN-138
SV650S	650	SU-6599	KN-138
Swift	1.3L L4 F/I	E-9132	HP-1002 ¹

* 2 filters required ♦ Intake System Available - see page 81 +Cabin Air Filter Available - see page 453 1- Pro Series Filter Available

Partial Listing - Complete List of Vehicles and Applications at knfilters.com

SUZUKI

AIR & OIL FILTERS

Vehicle	Engine Type	Air Filter	Oil Filter	Vehicle	Engine Type	Air Filter	Oil Filter
2000 SUZUKI				1998 SUZUKI			
Swift II	1.3L L4 F/I		HP-1003 ¹	TL1000S	1000	SU-0007-A	KN-138
Swift II	1.3L L4 F/I - 101BHP	E-9132	HP-1003	VL1500LC Intruder	1500	SU-1598	KN-138
		E-9193	HP-1003	VS800 Intruder	800	SU-7086	KN-138
Swift II	1.3L L4 F/I - Exc., 101BHP	E-9209	HP-1003	VS1400GLP Intruder	1400	SU-1487	KN-138
TL1000R	1000	SU-0015	KN-138	VZ800 Marauder	800		KN-138
Vitara	2.0L L4 F/I	33-2155	HP-1003 ¹	VZ800 Marauder	800 - Jet kit required, purchase separately	SU-5589*	KN-138
VL1500LC Intruder	1500	SU-1598	KN-138	1997 SUZUKI			
VS800 Intruder	800	SU-7086	KN-138	DR350 Off Road	350		KN-136
VS1400GLP Intruder	1400	SU-1487	KN-138	DR350SE	350	SU-3590	KN-136
VZ800 Marauder	800		KN-138	DR650SE	650	SU-6596	KN-137
VZ800 Marauder	800 - Jet kit required, purchase separately	SU-5589*	KN-138	GS500E	500	SU-5589	
1999 SUZUKI				GSF600 Bandit	600		KN-138
AN250 Burgman	250	SU-2599	KN-132	GSF600 Bandit S	600	SU-7593	KN-138
DR350SE	350	SU-3590	KN-136	GSF1200 Bandit S	1200	SU-7593	KN-138
DR650SE	650	SU-6596	KN-137	GSX600F Katana	600	SU-7592	KN-138
Esteem	1.6L L4 F/I	33-2162		GSXR600	600	SU-7596	KN-138
Esteem	1.8L L4 F/I	33-2162		GSXR750	750	SU-7596	KN-138
Grand Vitara	2.0L L4 DSL	33-2155		GSXR1100	1052		KN-138
Grand Vitara	2.0L L4 F/I	33-2155		LS650 Savage	650	SU-6595	KN-137
Grand Vitara	2.5L V6 F/I	33-2155	HP-1002 ¹	LTF300 King Quad	300	SU-2588	KN-132
GS500E	500	SU-5589		RF900R	938	SU-9094	KN-138
GSF600 Bandit S	600	SU-7593	KN-138	Sidekick	1.6L L4 F/I		HP-1002 ¹
GSF1200 Bandit S	1200	SU-7593	KN-138	Sidekick	1.8L L4 F/I		HP-1003 ¹
GSX600F Katana	600	SU-7592	KN-138	Super Carry	1.0L L4 F/I	E-9104	
GSX750F Katana	750	SU-7592	KN-138	TL1000S	1000	SU-0007-A	KN-138
GSX1300R Hayabusa	1300	SU-1399	KN-138	VS800 Intruder	800	SU-7086	KN-138
GSXR600	600	SU-7596	KN-138	VS1400GLP Intruder	1400	SU-1487	KN-138
GSXR750	750	SU-7596	KN-138	VZ800 Marauder	800		KN-138
GZ250 Marauder	250		KN-136	VZ800 Marauder	800 - Jet kit required, purchase separately	SU-5589*	KN-138
Jimny	1.3L L4 F/I	33-2162		1996 SUZUKI			
LS650 Savage	650	SU-6595	KN-137	DR350	350	SU-3590	KN-136
LTF300 King Quad	300	SU-2588	KN-132	DR350S	350	SU-3590	KN-136
LTF500F Quadrunner	500	SU-5098	KN-138	DR650SE	650	SU-6596	KN-137
RM250	250	SU-2596		Esteem	1.6L L4 F/I	33-2162	
SV650	650	SU-6599	KN-138	GS500E	500	SU-5589	
SV650S	650	SU-6599	KN-138	GSF600 Bandit	600	SU-7593	KN-138
TL1000R	1000	SU-0015	KN-138	GSF600 Bandit S	600	SU-7593	KN-138
TL1000S	1000		KN-138	GSX600F Katana	600	SU-7592	KN-138
VL1500LC Intruder	1500	SU-1598	KN-138	GSXR750	750	SU-7596	KN-138
VS800 Intruder	800	SU-7086	KN-138	GSXR1100	1052	SU-7593	KN-138
VS1400GLP Intruder	1400	SU-1487	KN-138	LS650 Savage	650	SU-6595	KN-137
VZ800 Marauder	800		KN-138	LT4WD	300		KN-132
VZ800 Marauder	800 - Jet kit required, purchase separately	SU-5589*	KN-138	LTF250 Quadrunner 4x4	250		KN-132
1998 SUZUKI				Sidekick	1.6L L4 F/I	33-2065	HP-1002 ¹
Baleno	1.6L L4 F/I	33-2790		Super Carry	1.0L L4 F/I	E-9104	
DR350 Off Road	350		KN-136	Swift II	1.3L L4 F/I - Exc., 101BHP	E-9209	
DR350SE	350	SU-3590	KN-136	VS800 Intruder	800	SU-7086	KN-138
DR650SE	650	SU-6596	KN-137	VS1400GLP Intruder	1400	SU-1487	KN-138
Esteem	1.6L L4 F/I	33-2162		X-90	1.6L L4 F/I	33-2065	
GS500E	500	SU-5589	KN-133	1995 SUZUKI			
GSF1200 Bandit S	1200	SU-7593	KN-138	DR350	350	SU-3590	KN-136
GSX600F Katana	600	SU-7592	KN-138	DR350S	350	SU-3590	KN-136
GSX750F Katana	750	SU-7592	KN-138	Esteem	1.6L L4 F/I	33-2162	
GSXR600	600	SU-7596	KN-138	GS500E	500	SU-5589	
GSXR750	750	SU-7596	KN-138	GSX600F Katana	600	SU-7592	KN-138
GSXR1100	1052		KN-138	GSXR750W	750	SU-7593	KN-138
LS650 Savage	650	SU-6595	KN-137	GSXR1100	1052	SU-7593	KN-138
LTF300 King Quad	300	SU-2588	KN-132	LS650 Savage	650		KN-137
LTF500F Quadrunner	500	SU-5098	KN-138	LTF250 Quadrunner 4x4	250	SU-2588	KN-132
Sidekick	1.6L L4 F/I		HP-1002 ¹				
Sidekick	1.8L L4 F/I		HP-1003 ¹				

* 2 filters required ♦ Intake System Available - see page 81 +Cabin Air Filter Available - see page 453 1- Pro Series Filter Available

AIR & OIL FILTERS

SUZUKI

Vehicle	Engine Type	Air Filter	Oil Filter
1995 SUZUKI			
LTF300 King Quad	300	SU-2588	KN-132
RF600R	580	SU-9094	KN-138
RF900R	938	SU-9094	KN-138
Samurai	1.3L L4 F/I	E-2553	
Sidekick	1.6L L4 MFI	33-2065	HP-1002 ¹
Sidekick	1.6L L4 TBI	33-2700	HP-1002 ¹
VS800 Intruder	800	SU-7086	KN-138
VS1400 Intruder	1400	SU-1487	KN-138

Vehicle	Engine Type	Air Filter	Oil Filter
1994 SUZUKI			
DR350	350		KN-136
DR350S	350	SU-3590	KN-136
DR650S	650		KN-137
GS500E	500	SU-5589	
GSX600F Katana	600	SU-7592	KN-138
GSX750F Katana	750	SU-7592	KN-138
GSXR750W	750	SU-7593	KN-138
GSXR1100	1052	SU-7593	KN-138
LTF300 King Quad	300	SU-2588	KN-132
RF900R	938	SU-9094	KN-138
Samurai	1.3L L4 F/I	E-2553	
Sidekick	1.6L L4 MFI	33-2065	HP-1002 ¹
Sidekick	1.6L L4 TBI	33-2700	HP-1002 ¹
Super Carry	1.0L L4 F/I	E-9104	
Swift II	1.3L L4 F/I - 101BHP	E-9132	
Swift II	1.3L L4 F/I - Exc., 101BHP	E-9209	
VS800 Intruder	800	SU-7086	KN-138
VS1400 Intruder	1400	SU-1487	KN-138

Vehicle	Engine Type	Air Filter	Oil Filter
1993 SUZUKI			
DR250SE	250		KN-136
DR350	350		KN-136
DR350 Off Road	350		KN-136
DR350S	350	SU-3590	KN-136
DR650S	650	SU-6590	KN-137
GS500E	500	SU-5589	KN-133
GSX600F Katana	600	SU-7592	KN-138
GSX750F Katana	750	SU-7592	KN-138
GSX1100G	1118	SU-1191	KN-138
GSXR600W	600	SU-7593	KN-138
GSXR750W	750	SU-7593	KN-138
LTF300 King Quad	300	SU-2588	KN-132
Samurai	1.3L L4 F/I	E-2553	
Sidekick	1.6L L4 MFI	33-2065	
Sidekick	1.6L L4 TBI	33-2700	
VS800 Intruder	800	SU-7086	KN-138
VS1400 Intruder	1400	SU-1487	KN-138
VX800	801		KN-138

Vehicle	Engine Type	Air Filter	Oil Filter
1992 SUZUKI			
DR350S	350		KN-136
GS500E	500	SU-5589	
GSX600F Katana	600	SU-7592	KN-138
GSX750F Katana	750	SU-7592	KN-138
GSX1100F Katana	1100		KN-138
GSX1100G	1118	SU-1191	KN-138
GSXR750	750	SU-7588	KN-138
GSXR1100	1052	SU-7588	KN-138
LT250R Quadracracer	250	SU-4250	
Samurai	1.3L L4 F/I	E-2553	
Sidekick	1.6L L4 MFI	33-2065	HP-1002 ¹
Sidekick	1.6L L4 TBI	33-2700	HP-1002 ¹
Super Carry	1.0L L4 F/I	E-9104	
Swift	1.3L L4 F/I - SOHC	E-9209	

Vehicle	Engine Type	Air Filter	Oil Filter
1992 SUZUKI			
Swift II	1.3L L4 F/I - Exc., 101BHP	E-9209 ♦	
VS800 Intruder	800	SU-7086	KN-138
VS1400 Intruder	1400	SU-1487	KN-138

Vehicle	Engine Type	Air Filter	Oil Filter
1991 SUZUKI			
DR350S	350		KN-136
GSF400 Bandit	399	SU-0008	
GSX600F Katana	600		KN-138
GSX750F Katana	750		KN-138
GSX1100G	1118	SU-1191	KN-138
GSXR750	750	SU-7588	KN-138
GSXR750 Sling Shot	750		KN-138
GSXR1100	1052	SU-7588	KN-138
LT250 Quadrunner	250	SU-2588	KN-132
2x4			
LT250R Quadracracer	250	SU-4250	
Samurai	1.3L L4 F/I	E-2553	HP-1002 ¹

Vehicle	Engine Type	Air Filter	Oil Filter
1990 SUZUKI			
DR350S	350	SU-3590	KN-136
GS500E	500	SU-5589	KN-133
GSX600F Katana	600	SU-7592	KN-138
GSX750F Katana	750		KN-138
GSXR750	750	SU-7588	KN-138
GSXR750 Sling Shot	750		KN-138
GSXR1100	1052	SU-7588	KN-138
Samurai	1.3L L4 CARB	E-2553	
Samurai	1.3L L4 F/I	E-2553	
Vitara	1.6L L4 F/I - 257x206mm	33-2700	
Vitara	1.6L L4 F/I - 284x141mm		33-2654
Vitara	1.6L L4 F/I - 297x135mm		33-2065
VX800	801		KN-138

Vehicle	Engine Type	Air Filter	Oil Filter
1989 SUZUKI			
GS500E	500	SU-5589	KN-133
GSX600F Katana	600	SU-7592	KN-138
GSX750F Katana	750	SU-7592	KN-138
GSX1100F Katana	1100		KN-138
GSXR750	750	SU-7588	KN-138
GSXR750 Sling Shot	750		KN-138
GSXR1100	1052	SU-7588	KN-138
LT250R Quadracracer	250	SU-4250	
Samurai	1.3L L4 CARB	E-2553	
Sidekick	1.6L L4 F/I	33-2700	

Vehicle	Engine Type	Air Filter	Oil Filter
1988 SUZUKI			
GSX600F Katana	600	SU-7592	KN-138
GSX1100F Katana	1100	SU-7592	KN-138
GSXR750	750	SU-7588	KN-138
GSXR750 Sling Shot	750		KN-138
GSXR1100	1052		KN-138
LT250R Quadracracer	250	SU-4250	
Samurai	1.0L L4 CARB	E-9104	
Samurai	1.3L L4 CARB	E-2553	HP-1002 ¹

Vehicle	Engine Type	Air Filter	Oil Filter
1987 SUZUKI			
GSXR750H	750		KN-134
GSXR750HG	750		KN-134
GSXR750R	750		KN-134
GSXR750XH	750		KN-134
GSXR1100	1052		KN-138
LS650 Savage	650	SU-6595	KN-137
LT4WD	300		KN-132
LT230E Quadrunner	230	SU-2391	KN-132

* 2 filters required ♦ Intake System Available - see page 81 +Cabin Air Filter Available - see page 453 1- Pro Series Filter Available

SUZUKI

AIR & OIL FILTERS

Vehicle	Engine Type	Air Filter	Oil Filter	Vehicle	Engine Type	Air Filter	Oil Filter
1987 SUZUKI				1982 SUZUKI			
LT230S QuadSport	230	SU-4230	KN-132	GS1100G	1100	SU-1200	KN-133
LT250R Quadracer	250	SU-4250		GS1100GK	1100	SU-1200	KN-133
LTF230	230	SU-2391	KN-132	GS1100GL	1100	SU-1200	KN-133
Samurai	1.3L L4 CARB	E-2553	HP-1002 ¹	SJ410	1.0L L3 CARB	E-9104	
VS700 Intruder	700	SU-7086	KN-138	1981 SUZUKI			
VS1400 Intruder	1400	SU-1487	KN-138	GN400	400		KN-136
1986 SUZUKI				GS550L	550	SU-5500	KN-133
GN250	250		KN-136	GS550T	550	SU-5500	KN-133
GS550ES	550		KN-133	GS650E	650	SU-5500	KN-133
GSXR750	750		KN-134	GS650G	650		KN-133
GSXR750F	750		KN-134	GS650GL	650		KN-133
GSXR750G	750		KN-134	GS750	750	SU-1250	KN-133
GSXR750H	750		KN-134	GS850G	850	SU-1200	KN-133
GSXR750HG	750		KN-134	GS850GL	850	SU-1200	KN-133
GSXR750R	750		KN-134	GS1000G	1000	SU-1200	KN-133
GSXR750XH	750		KN-134	GS1000GL	1000	SU-1200	KN-133
GSXR1100	1052		KN-138	GS1100E	1100	SU-1250	KN-133
GV1200 Madura	1200	SU-5589		SJ410	1.0L L3 CARB	E-9104	
GV1400 Cavalcade	1400		KN-134	1980 SUZUKI			
LS650 Savage	650	SU-6595	KN-137	GN400	400		KN-136
LT230E Quadrunner	230		KN-132	GS550E	550	SU-5500	KN-133
LT230G	230	SU-2391		GS550L	550	SU-5500	KN-133
LT230S QuadSport	230	SU-4230	KN-132	GS750	750	SU-1250	KN-133
LT250R Quadracer	250	SU-4250		GS850G	850	SU-1200	KN-133
Samurai	1.3L L4 CARB	E-2553	HP-1002 ¹	GS850GL	850	SU-1200	KN-133
VS700 Intruder	700	SU-7086	KN-134	GS1000G	1000	SU-1200	KN-133
1985 SUZUKI				GS1000GL	1000	SU-1200	KN-133
GS550ES	550		KN-133	GS1100E	1100	SU-1250	KN-133
GS700ES	700	SU-7503		GS1100L	1100	SU-1250	KN-133
GV700 Madura	700	SU-5589	KN-134	GSX750	750	SU-1250	KN-133
GV1200 Madura	1200	SU-5589	KN-134	1979 SUZUKI			
LT230G	230	SU-2391	KN-132	GS550E	550	SU-5500	KN-133
LT230S QuadSport	230	SU-4230	KN-132	GS550L	550	SU-5500	KN-133
LT250E	250		KN-132	GS750	750	SU-1200	KN-133
LT250R Quadracer	250	SU-4250		GS850G	850	SU-1200	KN-133
1984 SUZUKI				GS850GL	850		KN-133
LT185	185		KN-131	GS1000E	1000	SU-1250	KN-133
SJ410	1.0L L4 CARB	E-9104		GS1000L	1000	SU-1250	KN-133
1983 SUZUKI				GS1000S	1000	SU-1250	KN-133
GR650 Tempter	650		KN-133	1978 SUZUKI			
GR650X Tempter	650		KN-133	GS550	550	SU-5500	KN-133
GS550ES	550		KN-133	GS550E	550	SU-5500	KN-133
GS550ES3	550		KN-133	GS750	750	SU-1200	KN-133
GS650GL	650		KN-133	GS1000E	1000	SU-1250	KN-133
GS750E	750	SU-7503	KN-133	GS550D	550		KN-133
GS750ES	750	SU-7503	KN-133	1977 SUZUKI			
GS850GL	850	SU-1200	KN-133	GS550	550	SU-5500	
GS1100E	1100	SU-1250	KN-133	GS750	750	SU-1200	KN-133
1982 SUZUKI				2016 TOYOTA			
DR125	125		KN-131	4 Runner	4.0L V6 F/I	33-2438 ♦+	
DR125 S	125		KN-131	Avalon	3.5L V6 F/I	33-2443+	
DR250S	250		KN-136	Camry	2.5L L4 F/I	33-2370 ♦+	
GN250	250		KN-136	Camry	3.5L V6 F/I	33-2443 ♦+	
GS300L	300		KN-133	Corolla	1.8L L4 F/I	33-2360+	
GS550L	550	SU-5500	KN-133			33-2360 ♦+	
GS650E	650	SU-5500	KN-133	Highlander	3.5L V6 F/I	33-2443+	
GS650G	650		KN-133	RAV4	2.5L L4 F/I - Exc.	33-2381	
GS650GL	650		KN-133		Hybrid		
GS750	750	SU-1250	KN-133	Tacoma	2.7L L4 F/I	33-2306 ♦+	
GS850G	850	SU-1200	KN-133	Tacoma	3.5L V6 F/I	33-5017+	
GS850GL	850	SU-1200	KN-133	Tundra	4.6L V8 F/I	33-5017+	
GS1100E	1100	SU-1250	KN-133	Tundra	5.7L V8 F/I	33-5017 ♦+	

* 2 filters required ♦ Intake System Available - see page 81 +Cabin Air Filter Available - see page 453 1- Pro Series Filter Available

AIR & OIL FILTERS

TOYOTA

Vehicle	Engine Type	Air Filter	Oil Filter	Vehicle	Engine Type	Air Filter	Oil Filter
2016 TOYOTA				2014 TOYOTA			
Yaris Hybrid	1.5L L4 F/I	33-2485+		RAV4 IV	2.2L L4 DSL	33-2452	
2015 TOYOTA				2013 TOYOTA			
4 Runner	4.0L V6 F/I	33-2438 ♦+	PS-7023	4 Runner	4.0L V6 F/I	33-2438 ♦+	PS-7023
Avalon	2.5L L4 F/I	33-2381+	PS-7020	Auris Hybrid	1.8L L4 F/I	33-2435	
Avalon	3.5L V6 F/I	33-2443+	PS-7020	Avalon	2.5L L4 F/I	33-2381+	PS-7020
Camry	2.5L L4 F/I	33-2370 ♦+	PS-7020	Avalon	3.5L V6 F/I	33-2443+	PS-7020
Camry	3.5L V6 F/I	33-2443 ♦+	PS-7020	Avanza	1.5L L4 F/I		HP-1003 ¹
Camry Hybrid	2.5L L4 F/I	33-2381+	PS-7020	RAV4	2.5L L4 F/I	33-2370 ♦+	PS-7020
Corolla	1.8L L4 F/I	33-2360+	PS-7021	Camry	3.5L V6 F/I	33-2443 ♦+	PS-7020
		33-2360 ♦+	PS-7021	Camry Hybrid	2.5L L4 F/I	33-2381+	PS-7020
FJ Cruiser	4.0L V6 F/I		PS-7023	Corolla	1.8L L4 F/I	33-2360 ♦+	PS-7021
GT86	2.0L H4 F/I	33-2300		Corolla	2.4L L4 F/I	33-2326+	
Highlander	2.7L L4 F/I		PS-7020	Etios	1.4L L4 DSL	33-3018	
Highlander	3.5L V6 F/I	33-2443+	PS-7020	FJ Cruiser	4.0L V6 F/I	33-2438 ♦+	PS-7023
Highlander Hybrid	3.5L V6 F/I	33-2455+	PS-7020	GT86	2.0L H4 F/I	33-2300	
Land Cruiser	5.7L V8 F/I	33-2387+	PS-7018	Highlander	2.7L L4 F/I	33-2260+	PS-7020
Prius	1.8L L4 F/I	33-2435+	PS-7021	Highlander	3.5L V6 F/I	33-2260+	PS-7020
Prius C	1.5L L4 F/I	33-2485+	HP-1003 ¹	Highlander Hybrid	3.5L V6 F/I	33-2455+	PS-7020
Prius V	1.8L L4 F/I		PS-7021	Hilux	2.5L L4 DSL	E-2296	
RAV4	2.5L L4 F/I	33-2381+	PS-7020	Hilux	3.0L L5 DSL	E-2296	
RAV4 IV	2.0L L4 DSL	33-2345		Land Cruiser	3.0L L4 DSL	33-2146	
RAV4 IV	2.0L L4 F/I	33-2360		Land Cruiser	4.0L V6 F/I	33-2438	
RAV4 IV	2.2L L4 DSL	33-2452		Land Cruiser	4.5L V8 DSL - Exc. 70 & 200 Series	33-2387	
Sequoia	5.7L V8 F/I	33-5017+	PS-7018	Land Cruiser	5.7L V8 F/I	33-2387+	PS-7018
Sienna	3.5L V6 F/I	33-2443+	PS-7020	Matrix	1.8L L4 F/I	33-2360+	PS-7021
Tacoma	2.7L L4 F/I	33-2306 ♦+	HP-1002 ¹	Matrix	2.4L L4 F/I	33-2326 ♦+	HP-1003 ¹
Tacoma	4.0L V6 F/I	33-2281 ♦+	HP-1002 ¹	Prius	1.8L L4 F/I	33-2435+	PS-7021
Tundra	4.0L V8 F/I		PS-7018	Prius C	1.5L L4 F/I	33-2485+	HP-1003 ¹
Tundra	4.6L V8 F/I	33-5017 ♦+	PS-7018	Prius V	1.8L L4 F/I	33-2435+	PS-7021
Tundra	5.7L V8 F/I	33-5017 ♦+	PS-7018	RAV4	2.5L L4 F/I	33-2381+	PS-7020
Venza	2.7L L4 F/I	33-2370 ♦+	PS-7020	RAV4 III	2.0L L4 F/I	33-2360	
Venza	3.5L V6 F/I	33-2326 ♦+	PS-7020	RAV4 III	2.2L L4 DSL	33-2345	
Yaris	1.3L L4 F/I	33-2211		RAV4 IV	2.0L L4 DSL	33-2345	
Yaris	1.5L L4 F/I	33-2360 ♦+	HP-1003 ¹	RAV4 IV	2.0L L4 F/I	33-2360	
Yaris Hybrid	1.5L L4 F/I	33-2485+	HP-1003 ¹	RAV4 IV	2.2L L4 DSL	33-2452	
2014 TOYOTA				2013 TOYOTA			
4 Runner	4.0L V6 F/I	33-2438 ♦+	PS-7023	Sequoia	5.7L V8 F/I	33-2387 ♦+	PS-7018
Avalon	2.5L L4 F/I	33-2381+	PS-7020	Sienna	2.7L L4 F/I		PS-7020
Avalon	3.5L V6 F/I	33-2443+	PS-7020	Sienna	3.5L V6 F/I	33-2443+	PS-7020
Camry	2.5L L4 F/I	33-2370 ♦+	PS-7020	Tacoma	2.7L L4 F/I	33-2306 ♦+	HP-1002 ¹
Camry	3.5L V6 F/I	33-2443 ♦+	PS-7020	Tacoma	4.0L V6 F/I	33-2281 ♦+	HP-1002 ¹
Camry Hybrid	2.5L L4 F/I	33-2381+	PS-7020	Tundra	4.0L V6 F/I	33-2387+	PS-7023
Corolla	1.8L L4 F/I	33-2360+	PS-7021	Tundra	4.6L V8 F/I	33-2387 ♦+	PS-7018
		33-2360 ♦+	PS-7021	Tundra	5.7L V8 F/I	33-2387 ♦+	PS-7018
FJ Cruiser	4.0L V6 F/I	33-2438 ♦+	PS-7023	Venza	2.7L L4 F/I	33-2370 ♦+	PS-7020
GT86	2.0L H4 F/I	33-2300		Venza	3.5L V6 F/I	33-2326 ♦+	PS-7020
Highlander	2.7L L4 F/I		PS-7020	Yaris	1.3L L4 F/I	33-2211	
Highlander	3.5L V6 F/I	33-2443	PS-7020	Yaris	1.4L L4 DSL	33-2988	
Highlander Hybrid	3.5L V6 F/I	33-2455	PS-7020	Yaris	1.5L L4 F/I	33-2360 ♦+	HP-1003 ¹
Hilux	2.5L L4 DSL	E-2296		Yaris Hybrid	1.5L L4 F/I	33-2485	HP-1003 ¹
Hilux	3.0L L5 DSL	E-2296					
Land Cruiser	3.0L L4 DSL	33-2146					
Land Cruiser	4.0L V6 F/I	33-2438					
Land Cruiser	4.5L V8 DSL - Exc. 70 & 200 Series	33-2387					
Land Cruiser	5.7L V8 F/I	33-2387+	PS-7018				
Matrix	1.8L L4 F/I		PS-7021				
Prius	1.8L L4 F/I	33-2435+	PS-7021				
Prius C	1.5L L4 F/I	33-2485+	HP-1003 ¹				
Prius V	1.8L L4 F/I	33-2435+	PS-7021				
RAV4	2.5L L4 F/I	33-2381+	PS-7020				
RAV4 IV	2.0L L4 DSL	33-2345					
RAV4 IV	2.0L L4 F/I	33-2360					

* 2 filters required ♦ Intake System Available - see page 81 +Cabin Air Filter Available - see page 453 1- Pro Series Filter Available

TOYOTA

AIR & OIL FILTERS

Vehicle	Engine Type	Air Filter	Oil Filter	Vehicle	Engine Type	Air Filter	Oil Filter
2012 TOYOTA				2011 TOYOTA			
4 Runner	4.0L V6 F/I	33-2438 ♦+	PS-7023	Hilux	2.5L L4 DSL	E-2296	
Auris Hybrid	1.8L L4 F/I	33-2435		Hilux	2.7L L4 F/I	E-2296	
Avalon	3.5L V6 F/I	33-2326+	PS-7020	Hilux	3.0L L5 DSL	E-2296	
Avanza	1.5L L4 F/I	33-2989	HP-1003 ¹	Land Cruiser	3.0L L4 DSL	33-2146	
Camry	2.5L L4 F/I	33-2370 ♦+	PS-7020	Land Cruiser	4.0L V6 F/I	33-2438	
Camry	3.5L V6 F/I	33-2443 ♦+	PS-7020	Land Cruiser	5.7L V8 F/I	33-2387+	PS-7018
Camry Hybrid	2.5L L4 F/I	33-2381+	PS-7020	Matrix	1.8L L4 F/I	33-2360+	PS-7021
Corolla	1.8L L4 F/I	33-2360 ♦+	PS-7021	Matrix	2.4L L4 F/I	33-2326 ♦+	HP-1003 ¹
Corolla	2.4L L4 F/I	33-2326+		Prius	1.8L L4 F/I	33-2435+	PS-7021
Etiós	1.4L L4 DSL	33-3018		RAV4	2.5L L4 F/I	33-2355+	PS-7020
FJ Cruiser	4.0L V6 F/I	33-2438 ♦+	PS-7023	RAV4	3.5L V6 F/I	33-2355+	PS-7020
GT86	2.0L H4 F/I	33-2300		RAV4 III	2.0L L4 F/I	33-2360	
Highlander	2.7L L4 F/I	33-2260+	PS-7020	RAV4 III	2.2L L4 DSL	33-2345	
Highlander	3.5L V6 F/I	33-2260+	PS-7020	Rush	1.5L L4 F/I	33-2989	
Highlander Hybrid	3.5L V6 F/I	33-2455+	PS-7020	Sequoia	4.6L V8 F/I	33-2387 ♦+	
Hilux	2.5L L4 DSL	E-2296		Sequoia	5.7L V8 F/I	33-2387 ♦+	PS-7018
Hilux	2.7L L4 F/I	E-2296	HP-1002 ¹	Sienna	2.7L L4 F/I	33-2443+	PS-7020
Hilux	3.0L L5 DSL	E-2296		Sienna	3.5L V6 F/I	33-2443+	PS-7020
Land Cruiser	3.0L L4 DSL	33-2146		Tacoma	2.7L L4 F/I	33-2306 ♦+	HP-1002 ¹
Land Cruiser	4.0L V6 F/I	33-2438		Tacoma	4.0L V6 F/I	33-2281 ♦+	HP-1002 ¹
Land Cruiser	4.5L V8 DSL - Exc. 70 & 200 Series	33-2387		Tundra	4.0L V6 F/I	33-2387+	
Matrix	1.8L L4 F/I	33-2360+	PS-7021	Tundra	4.0L V6 F/I - Cartridge	33-2387	PS-7023
Matrix	2.4L L4 F/I	33-2326 ♦+	HP-1003 ¹	Tundra	4.0L V6 F/I - Spin On	33-2387	HP-1002 ¹
Prius	1.8L L4 F/I	33-2435+	PS-7021	Tundra	4.6L V8 F/I	33-2387 ♦+	PS-7018
Prius C	1.5L L4 F/I	33-2485+	HP-1003 ¹	Tundra	5.7L V8 F/I	33-2387 ♦+	PS-7018
Prius V	1.8L L4 F/I	33-2435+	PS-7021	Venza	2.7L L4 F/I	33-2370+	PS-7020
RAV4	2.5L L4 F/I	33-2355+	PS-7020	Venza	3.5L V6 F/I	33-2326 ♦+	PS-7020
RAV4	3.5L V6 F/I	33-2355+	PS-7020	Yaris	1.3L L4 F/I	33-2211	
RAV4 III	2.0L L4 F/I	33-2360		Yaris	1.5L L4 F/I	33-2360 ♦+	HP-1003 ¹
RAV4 III	2.2L L4 DSL	33-2345		Yaris	1.8L L4 F/I	33-2360 ♦	
Sequoia	4.6L V8 F/I	33-2387+	PS-7018	2010 TOYOTA			
Sequoia	5.7L V8 F/I	33-2387 ♦+	PS-7018	4 Runner	2.7L L4 F/I		HP-1002 ¹
Sienna	2.7L L4 F/I	33-2443+	PS-7020	4 Runner	4.0L V6 F/I	33-2438 ♦+	PS-7023
Sienna	3.5L V6 F/I	33-2443+	PS-7020	Avalon	3.5L V6 F/I	33-2326+	PS-7020
Tacoma	2.7L L4 F/I	33-2306 ♦+	HP-1002 ¹	Avanza	1.3L L4 F/I	33-2989	
Tacoma	4.0L V6 F/I	33-2281 ♦+	HP-1002 ¹	Avanza	1.5L L4 F/I	33-2989	
Tundra	4.0L V6 F/I	33-2387+	PS-7023	Camry	2.5L L4 F/I	33-2370 ♦+	PS-7020
Tundra	4.6L V8 F/I	33-2387 ♦+	PS-7018	Camry	3.5L V6 F/I	33-2326 ♦+	PS-7020
Tundra	5.7L V8 F/I	33-2387 ♦+	PS-7018	Camry Hybrid	2.4L L4 F/I	33-2260+	HP-1003 ¹
Venza	2.7L L4 F/I	33-2370+	PS-7020	Corolla	1.3L L4 F/I	33-2360	
Venza	3.5L V6 F/I	33-2326 ♦+	PS-7020	Corolla	1.8L L4 F/I	33-2360 ♦+	PS-7021
Yaris	1.0L L3 F/I	33-2131		Corolla	2.4L L4 F/I	33-2326+	HP-1003 ¹
Yaris	1.3L L4 F/I	33-2211		FJ Cruiser	4.0L V6 F/I	33-2438 ♦+	PS-7023
Yaris	1.4L L4 DSL	33-2988		HiAce	3.0L L4 DSL	33-2987	
Yaris	1.5L L4 F/I	33-2360 ♦+	HP-1003 ¹	HiAce IV	2.5L L4 DSL	38-9203	
Yaris Hybrid	1.5L L4 F/I	33-2485	HP-1003 ¹	Highlander	2.7L L4 F/I	33-2260+	PS-7020
2011 TOYOTA				Highlander	3.5L V6 F/I	33-2260+	PS-7020
4 Runner	4.0L V6 F/I	33-2438 ♦+	PS-7023	Highlander Hybrid	3.3L V6 F/I	33-2344+	HP-1002 ¹
Avalon	3.5L V6 F/I	33-2326+	PS-7020	Hilux	2.5L L4 DSL	E-2296	
Avanza	1.3L L4 F/I	33-2989		Hilux	2.7L L4 F/I	E-2296	
Avanza	1.5L L4 F/I	33-2989		Hilux	3.0L L5 DSL	E-2296	
Avensis	2.0L L4 F/I	33-2360		Land Cruiser	3.0L L4 DSL	33-2146	
Aygo	1.0L L3 F/I	33-2131 ♦		Land Cruiser	4.5L V8 DSL - Exc. 70 & 200 Series	33-2387	
Camry	2.5L L4 F/I	33-2370 ♦+	PS-7020	Land Cruiser	5.7L V8 F/I	33-2387+	
Camry	3.5L V6 F/I	33-2326 ♦+	PS-7020	Matrix	1.8L L4 F/I	33-2360+	PS-7021
Camry Hybrid	2.4L L4 F/I	33-2260+	HP-1003 ¹	Matrix	2.4L L4 F/I	33-2326 ♦+	HP-1003 ¹
Corolla	1.8L L4 F/I	33-2360 ♦+	PS-7021	Prius	1.8L L4 F/I	33-2435+	PS-7021
Corolla	2.4L L4 F/I	33-2326+	HP-1003 ¹	RAV4	2.5L L4 F/I	33-2355+	PS-7020
Etiós	1.4L L4 DSL	33-3018		RAV4	3.5L V6 F/I	33-2355+	PS-7020
FJ Cruiser	4.0L V6 F/I	33-2438 ♦+	PS-7023	RAV4 III	2.0L L4 F/I	33-2360	
Highlander	2.7L L4 F/I	33-2260+	PS-7020	RAV4 III	2.2L L4 DSL	33-2345	
Highlander	3.5L V6 F/I	33-2260+	PS-7020	Sequoia	4.6L V8 F/I	33-2387 ♦+	PS-7018
Highlander Hybrid	3.5L V6 F/I	33-2455+	HP-1002 ¹	Sequoia	5.7L V8 F/I	33-2387 ♦+	PS-7018

* 2 filters required ♦ Intake System Available - see page 81 +Cabin Air Filter Available - see page 453 1- Pro Series Filter Available

AIR & OIL FILTERS

TOYOTA

Vehicle	Engine Type	Air Filter	Oil Filter	Vehicle	Engine Type	Air Filter	Oil Filter
2010 TOYOTA				2008 TOYOTA			
Sienna	3.5L V6 F/I	33-2260+	PS-7020	4 Runner	4.0L V6 F/I	33-2281 ♦+	HP-1002 ¹
Tacoma	2.7L L4 F/I	33-2306 ♦+	HP-1002 ¹	4 Runner	4.7L V8 F/I	33-2144 ♦+	HP-1002 ¹
Tacoma	4.0L V6 F/I	33-2281 ♦+	HP-1002 ¹	Avalon	3.5L V6 F/I	33-2326+	PS-7020
Tundra	4.0L V6 F/I	33-2281 ♦+	HP-1002 ¹	Camry	2.4L L4 F/I	33-2370 ♦+	HP-1003 ¹
Tundra	4.6L V8 F/I	33-2387 ♦+	PS-7018	Camry	3.5L V6 F/I	33-2326 ♦+	PS-7020
Tundra	5.7L V8 F/I	33-2387 ♦+	PS-7018	Camry Hybrid	2.4L L4 F/I	33-2260+	HP-1003 ¹
Venza	2.7L L4 F/I	33-2370+	PS-7020	Corolla	1.4L L4 DSL	33-2953	
Venza	3.5L V6 F/I	33-2326 ♦+	PS-7020	Corolla	1.4L L4 F/I	33-2360	
Yaris	1.0L L3 F/I	33-2131 ♦		Corolla	1.6L L4 F/I	33-2360	
Yaris	1.3L L4 F/I	33-2211		Corolla	1.8L L4 F/I	33-2252 ♦+	HP-1003 ¹
Yaris	1.4L L4 DSL	33-2988		Corolla	2.0L L4 DSL	33-2953	
Yaris	1.5L L4 F/I	33-2360 ♦+	HP-1003 ¹	FJ Cruiser	4.0L V6 F/I	33-2281 ♦+	HP-1002 ¹
Yaris	1.8L L4 F/I	33-2360 ♦		HiAce	3.0L L4 DSL	33-2987	
2009 TOYOTA				Highlander	3.5L V6 F/I	33-2260+	PS-7020
4 Runner	4.0L V6 F/I	33-2281+	HP-1002 ¹	Highlander Hybrid	3.3L V6 F/I	33-2344+	HP-1002 ¹
4 Runner	4.7L V8 F/I		HP-1002 ¹	Hilux	2.7L L4 F/I	E-2296	
Avalon	3.5L V6 F/I	33-2326+	PS-7020	Hilux	3.0L L5 DSL	E-2296	
Camry	2.4L L4 F/I	33-2370 ♦+	HP-1003 ¹	Land Cruiser	4.5L V8 DSL - Exc. 70 & 200 Series	33-2387	
Camry	3.5L V6 F/I	33-2326 ♦+	PS-7020	Land Cruiser	5.7L V8 F/I	33-2387+	PS-7018
Camry Hybrid	2.4L L4 F/I	33-2260+	HP-1003 ¹	Matrix	1.8L L4 F/I	33-2252+	HP-1003 ¹
Corolla	1.3L L4 F/I	33-2360		Prius	1.5L L4 F/I	33-2329+	HP-1003 ¹
Corolla	1.4L L4 DSL	33-2953		RAV4	2.4L L4 F/I	33-2355+	HP-1003 ¹
Corolla	1.4L L4 F/I	33-2360		RAV4	3.5L V6 F/I	33-2355+	PS-7020
Corolla	1.6L L4 F/I	33-2360		RAV4 III	2.0L L4 F/I	33-2355	
Corolla	1.8L L4 F/I	33-2360 ♦+	PS-7021	RAV4 III	2.2L L4 DSL	33-2345	
Corolla	2.0L L4 DSL	33-2953		RAV4 III	2.4L L4 F/I	33-2355	
Corolla	2.4L L4 F/I	33-2326+	HP-1003 ¹	RAV4 III	3.5L V6 F/I	33-2355	
FJ Cruiser	4.0L V6 F/I	33-2281 ♦+	HP-1002 ¹	Sequoia	4.7L V8 F/I	33-2387 ♦+	HP-1002 ¹
Highlander	2.7L L4 F/I	33-2260+	PS-7020	Sequoia	5.7L V8 F/I	33-2387 ♦+	PS-7018
Highlander	3.5L V6 F/I	33-2260+	PS-7020	Sienna	3.5L V6 F/I	33-2260+	PS-7020
Highlander Hybrid	3.3L V6 F/I	33-2344+	HP-1002 ¹	Solara	2.4L L4 F/I	33-2260+	HP-1003 ¹
Hilux	2.5L L4 DSL	E-2296		Solara	3.3L V6 F/I	33-2260+	HP-1002 ¹
Hilux	2.7L L4 F/I	E-2296		Tacoma	2.7L L4 F/I	33-2306 ♦+	HP-1002 ¹
Hilux	3.0L L5 DSL	E-2296		Tacoma	4.0L V6 F/I	33-2281 ♦+	HP-1002 ¹
Land Cruiser	4.5L V8 DSL - Exc. 70 & 200 Series	33-2387		Tundra	4.0L V6 F/I	33-2281 ♦+	HP-1002 ¹
Land Cruiser	5.7L V8 F/I	33-2387+		Tundra	4.7L V8 F/I	33-2387 ♦+	HP-1002 ¹
Matrix	1.8L L4 F/I	33-2360+	PS-7021	Tundra	5.7L V8 F/I	33-2387 ♦+	PS-7018
Matrix	2.4L L4 F/I	33-2326 ♦+	HP-1003 ¹	Yaris	1.0L L3 F/I	33-2131 ♦	
Prius	1.5L L4 F/I	33-2329+	HP-1003 ¹	Yaris	1.3L L4 F/I	33-2131	
RAV4	2.5L L4 F/I	33-2355+	PS-7020	Yaris	1.5L L4 F/I	33-2360 ♦+	HP-1003 ¹
RAV4	3.5L V6 F/I	33-2355+	PS-7020	Yaris	1.8L L4 F/I	33-2360 ♦	
RAV4 III	2.0L L4 F/I - 152BHP	33-2355		2007 TOYOTA			
RAV4 III	2.0L L4 F/I - 158BHP	33-2360		4 Runner	4.0L V6 F/I	33-2281 ♦+	HP-1002 ¹
RAV4 III	2.2L L4 DSL	33-2345		4 Runner	4.7L V8 F/I	33-2144 ♦+	HP-1002 ¹
RAV4 III	3.5L V6 F/I	33-2355		Avalon	3.5L V6 F/I	33-2326+	PS-7020
Sequoia	4.7L V8 F/I	33-2387 ♦+	HP-1002 ¹	Camry	2.4L L4 F/I	33-2370 ♦+	HP-1003 ¹
Sequoia	5.7L V8 F/I	33-2387 ♦+	PS-7018	Camry	3.5L V6 F/I	33-2326 ♦+	PS-7020
Sienna	3.5L V6 F/I	33-2260+	PS-7020	Camry Hybrid	2.4L L4 F/I	33-2260+	HP-1003 ¹
Tacoma	2.7L L4 F/I	33-2306 ♦+	HP-1002 ¹	Corolla	1.4L L4 DSL - from 4/07	33-2953	
Tacoma	4.0L V6 F/I	33-2281 ♦+	HP-1002 ¹	Corolla	1.4L L4 DSL - to 3/07	33-2835	
Tundra	4.0L V6 F/I	33-2281 ♦+	HP-1002 ¹	Corolla	1.4L L4 F/I	33-2360 ♦	
Tundra	4.7L V8 F/I	33-2387 ♦+	HP-1002 ¹	Corolla	1.6L L4 F/I - from 4/07	33-2360 ♦	
Tundra	5.7L V8 F/I	33-2387 ♦+	PS-7018	Corolla	1.6L L4 F/I - to 3/07	33-2252 ♦	
Venza	2.7L L4 F/I	33-2370+	PS-7020	Corolla	1.8L L4 F/I	33-2252 ♦+	HP-1003 ¹
Venza	3.5L V6 F/I	33-2326 ♦+	PS-7020	Corolla	2.0L L4 DSL	33-2953	
Yaris	1.0L L3 F/I	33-2131 ♦		Corolla	2.2L L4 DSL	33-2926	
Yaris	1.3L L4 F/I - 101BHP	33-2211		FJ Cruiser	4.0L V6 F/I	33-2281 ♦+	HP-1002 ¹
Yaris	1.3L L4 F/I - 87BHP	33-2131		HiAce	3.0L L4 DSL	33-2987	
Yaris	1.4L L4 DSL	33-2988		Highlander	2.4L L4 F/I	33-2260+	HP-1003 ¹
Yaris	1.5L L4 F/I	33-2360 ♦+	HP-1003 ¹	Highlander	3.3L V6 F/I	33-2260+	HP-1002 ¹
Yaris	1.8L L4 F/I	33-2360 ♦		Highlander Hybrid	3.3L V6 F/I	33-2344+	HP-1002 ¹
				Hilux	2.7L L4 F/I	E-2296	

* 2 filters required ♦ Intake System Available - see page 81 +Cabin Air Filter Available - see page 453 1- Pro Series Filter Available

TOYOTA

AIR & OIL FILTERS

Vehicle	Engine Type	Air Filter	Oil Filter
2007 TOYOTA			
Hilux	3.0L L5 DSL	E-2296	
Land Cruiser	4.7L V8 F/I	33-2146	HP-1002 ¹
Matrix	1.8L L4 F/I	33-2252+	HP-1003 ¹
Prius	1.5L L4 F/I	33-2329+	HP-1003 ¹
RAV4	2.4L L4 F/I	33-2355+	HP-1003 ¹
RAV4	3.5L V6 F/I	33-2355+	PS-7020
RAV4 III	2.0L L4 F/I	33-2355	
RAV4 III	2.2L L4 DSL	33-2345	
RAV4 III	2.4L L4 F/I	33-2355	
RAV4 III	3.5L V6 F/I	33-2355	
Rush	1.5L L4 F/I	33-2989	
Sequoia	4.7L V8 F/I	33-2144 ♦	HP-1002 ¹
Sienna	3.3L V6 F/I		HP-1002 ¹
Sienna	3.5L V6 F/I	33-2260+	PS-7020
Solara	2.4L L4 F/I	33-2260+	HP-1003 ¹
Solara	3.3L V6 F/I	33-2260+	HP-1002 ¹
Tacoma	2.7L L4 F/I	33-2306 ♦+	HP-1002 ¹
Tacoma	4.0L V6 F/I	33-2281 ♦+	HP-1002 ¹
Tundra	4.0L V6 F/I	33-2281 ♦+	HP-1002 ¹
Tundra	4.7L V8 F/I	33-2387 ♦+	HP-1002 ¹
Tundra	5.7L V8 F/I	33-2387 ♦+	PS-7018
Yaris	1.0L L3 F/I	33-2131 ♦	
Yaris	1.3L L4 F/I	33-2131	
Yaris	1.5L L4 F/I	33-2360 ♦+	HP-1003 ¹
Yaris	1.8L L4 F/I	33-2360 ♦	

2006 TOYOTA			
4 Runner	4.0L V6 F/I	33-2281 ♦+	HP-1002 ¹
4 Runner	4.7L V8 F/I	33-2144 ♦+	HP-1002 ¹
Avalon	3.5L V6 F/I	33-2326+	PS-7020
Camry	2.4L L4 F/I	33-2260 ♦+	HP-1003 ¹
Camry	3.0L V6 F/I	33-2260+	HP-1002 ¹
Camry	3.3L V6 F/I	33-2260+	HP-1002 ¹
Celica	1.8L L4 F/I	33-2041-1 ♦	
Corolla	1.4L L4 DSL	33-2835	
Corolla	1.4L L4 F/I	33-2252 ♦	
Corolla	1.6L L4 F/I	33-2252 ♦	
Corolla	1.8L L4 F/I	33-2252 ♦+	HP-1003 ¹
Corolla	2.0L L4 DSL	33-2835	
Corolla	2.2L L4 DSL	33-2926	
Highlander	2.4L L4 F/I	33-2260+	HP-1003 ¹
Highlander	3.3L V6 F/I	33-2260+	HP-1002 ¹
Highlander Hybrid	3.3L V6 F/I	33-2344+	HP-1002 ¹
Hilux	2.7L L4 F/I	E-2296	
Land Cruiser	3.0L L4 DSL - w/Round Filter	E-2444	
Land Cruiser	4.2L L6 DSL - w/Round Filter	E-2444	
Land Cruiser	4.7L V8 F/I	33-2146	HP-1002 ¹
Matrix	1.8L L4 F/I	33-2252+	HP-1003 ¹
Matrix XR	1.8L L4 F/I	33-2252+	HP-1003 ¹
Matrix XRS	1.8L L4 F/I	33-2252 ♦+	HP-1003 ¹
Prius	1.5L L4 F/I	33-2329+	HP-1003 ¹
RAV4	2.4L L4 F/I	33-2355+	HP-1003 ¹
RAV4	3.5L V6 F/I	33-2355+	PS-7020
RAV4 II	2.0L L4 F/I	33-2216	
RAV4 III	2.0L L4 F/I	33-2355	
RAV4 III	2.2L L4 DSL	33-2345	
RAV4 III	2.4L L4 F/I	33-2355	
RAV4 III	3.5L V6 F/I	33-2355	
Rush	1.5L L4 F/I	33-2989	
Sequoia	4.7L V8 F/I	33-2144 ♦	HP-1002 ¹
Sienna	3.3L V6 F/I	33-2260+	HP-1002 ¹
Solara	2.4L L4 F/I	33-2260 ♦+	HP-1003 ¹
Solara	3.3L V6 F/I	33-2260+	HP-1002 ¹

Vehicle	Engine Type	Air Filter	Oil Filter
2006 TOYOTA			
Tacoma	2.7L L4 F/I	33-2306 ♦+	HP-1002 ¹
Tacoma	4.0L V6 F/I	33-2281 ♦+	HP-1002 ¹
Tundra	4.0L V6 F/I	33-2281 ♦	HP-1002 ¹
Tundra	4.7L V8 F/I	33-2144 ♦	HP-1002 ¹
Vigo	2.5L L4 DSL	E-2296	
Yaris	1.3L L4 F/I	33-2131	HP-1003 ¹
Yaris	1.5L L4 F/I	33-2360 ♦+	HP-1003 ¹

2005 TOYOTA			
4 Runner	4.0L V6 F/I	33-2281 ♦+	HP-1002 ¹
4 Runner	4.7L V8 F/I	33-2144 ♦+	HP-1002 ¹
Avalon	3.5L V6 F/I	33-2326+	PS-7020
Camry	2.4L L4 F/I	33-2260 ♦+	HP-1003 ¹
Camry	3.0L V6 F/I	33-2260+	HP-1002 ¹
Camry	3.3L V6 F/I	33-2260+	HP-1002 ¹
Celica	1.8L L4 F/I	33-2041-1 ♦	HP-1003 ¹
Celica GT	1.8L L4 F/I	33-2041-1+	HP-1003 ¹
Celica GTS	1.8L L4 F/I	33-2041-1+	HP-1003 ¹
Corolla	1.4L L4 DSL	33-2835	
Corolla	1.4L L4 F/I	33-2252 ♦	
Corolla	1.6L L4 F/I	33-2252 ♦	
Corolla	1.8L L4 F/I	33-2252 ♦+	HP-1003 ¹
Corolla	2.0L L4 DSL	33-2835	
Corolla	2.2L L4 DSL	33-2926	
Echo	1.5L L4 F/I	33-2211+	HP-1003 ¹
Highlander	2.4L L4 F/I	33-2260+	HP-1003 ¹
Highlander	3.3L V6 F/I	33-2260+	HP-1002 ¹
Hilux	2.7L L4 F/I		HP-1002 ¹
Hilux	2.7L L4 F/I - to 6/05	E-2233	HP-1002
Hilux	2.7L L4 F/I - To 7/05	E-2296	HP-1002
Hilux	3.0L L5 DSL	E-2015	
Hilux	3.0L L5 F/I	E-2015	
Land Cruiser	3.0L L4 DSL - w/Round Filter	E-2444	
Land Cruiser	4.2L L6 DSL - w/Round Filter	E-2444	
Land Cruiser	4.7L V8 F/I	33-2146 ♦	HP-1002 ¹
Matrix	1.8L L4 F/I	33-2252+	HP-1003 ¹
Matrix XR	1.8L L4 F/I	33-2252+	HP-1003 ¹
Matrix XRS	1.8L L4 F/I	33-2252 ♦+	HP-1003 ¹
MR2 Spyder	1.8L L4 F/I	33-2041-1 ♦	HP-1003 ¹
Prius	1.5L L4 F/I	33-2329+	HP-1003 ¹
RAV4	2.4L L4 F/I	33-2216+	HP-1003 ¹
RAV4 II	1.8L L4 F/I	33-2855	
RAV4 II	2.0L L4 F/I	33-2216 ♦	
RAV4 III	2.0L L4 DSL	33-2843	
RAV4 III	2.4L L4 F/I	33-2216	
Sequoia	4.7L V8 F/I	33-2144 ♦	HP-1002 ¹
Sienna	3.3L V6 F/I	33-2260+	HP-1002 ¹
Solara	2.4L L4 F/I	33-2260 ♦+	HP-1003 ¹
Solara	3.3L V6 F/I	33-2260+	HP-1002 ¹
Tacoma	2.7L L4 F/I	33-2306 ♦+	HP-1002 ¹
Tacoma	4.0L V6 F/I	33-2281 ♦+	HP-1002 ¹
Tundra	4.0L V6 F/I	33-2281 ♦	HP-1002 ¹
Tundra	4.7L V8 F/I	33-2144 ♦	HP-1002 ¹
Vigo	2.5L L4 DSL	E-2296	

2004 TOYOTA			
4 Runner	4.0L V6 F/I	33-2281 ♦+	HP-1002 ¹
4 Runner	4.7L V8 F/I	33-2144 ♦+	HP-1002 ¹
Avalon	3.0L V6 F/I	33-2145-1+	HP-1002 ¹
Avensis Verso	2.0L L4 DSL	33-2030	
Avensis Verso	2.0L L4 F/I - 1AZ-FE Eng.	33-2252	
Avensis Verso	2.0L L4 F/I - 1AZ-FSE Eng.	33-2739	
Camry	2.4L L4 F/I	33-2260 ♦+	HP-1003 ¹

* 2 filters required ♦ Intake System Available - see page 81 +Cabin Air Filter Available - see page 453 1- Pro Series Filter Available

AIR & OIL FILTERS

TOYOTA

Vehicle	Engine Type	Air Filter	Oil Filter
2004 TOYOTA			
Camry	3.0L V6 F/I	33-2260+	HP-1002 ¹
Camry	3.3L V6 F/I	33-2260+	HP-1002 ¹
Celica	1.8L L4 F/I	33-2041-1 ♦	HP-1003 ¹
Celica GT	1.8L L4 F/I	33-2041-1 ♦♦	HP-1003 ¹
Celica GTS	1.8L L4 F/I	33-2041-1 ♦♦	HP-1003 ¹
Corolla	1.4L L4 DSL	33-2835	
Corolla	1.4L L4 F/I	33-2252 ♦	
Corolla	1.6L L4 F/I	33-2252 ♦	
Corolla	1.8L L4 F/I	33-2252 ♦♦	HP-1003 ¹
Corolla	2.0L L4 DSL	33-2835	
Echo	1.5L L4 F/I	33-2211 +	HP-1003 ¹
Highlander	2.4L L4 F/I	33-2260+	HP-1003 ¹
Highlander	3.3L V6 F/I	33-2260+	HP-1002 ¹
Hilux	2.7L L4 F/I	E-2233	
Hilux	3.0L L5 DSL	E-2015	
Hilux	3.0L L5 F/I	E-2015	
Land Cruiser	3.0L L4 DSL - w/Round Filter	E-2444	
Land Cruiser	4.2L L6 DSL - w/Round Filter	E-2444	
Land Cruiser	4.7L V8 F/I	33-2146 ♦	HP-1002 ¹
Matrix	1.8L L4 F/I	33-2252+	HP-1003 ¹
Matrix XR	1.8L L4 F/I	33-2252 ♦♦	HP-1003 ¹
Matrix XRS	1.8L L4 F/I	33-2252 ♦♦	HP-1003 ¹
MR2 Spyder	1.8L L4 F/I	33-2041-1 ♦	HP-1003 ¹
Prius	1.5L L4 F/I	33-2329+	HP-1003 ¹
RAV4	2.4L L4 F/I	33-2216+	HP-1003 ¹
RAV4 II	1.8L L4 F/I	33-2855	
RAV4 II	2.0L L4 DSL	33-2843	
RAV4 II	2.0L L4 F/I	33-2216 ♦	
Sequoia	4.7L V8 F/I	33-2144 ♦	HP-1002 ¹
Sienna	3.3L V6 F/I	33-2260+	HP-1002 ¹
Solara	2.4L L4 F/I	33-2260 ♦♦	HP-1003 ¹
Solara	3.3L V6 F/I	33-2260+	HP-1002 ¹
Tacoma	2.4L L4 F/I	33-2050-1 ♦	HP-1002 ¹
Tacoma	2.7L L4 F/I	33-2050-1 ♦	HP-1002 ¹
Tacoma	3.4L V6 F/I	33-2054 ♦	HP-1002 ¹
Tundra	3.4L V6 F/I	33-2144 ♦	HP-1002 ¹
Tundra	4.7L V8 F/I	33-2144 ♦	HP-1002 ¹
Yaris	1.5L L4 F/I	33-2211 ♦	

2003 TOYOTA			
4 Runner	4.0L V6 F/I	33-2281 ♦♦	HP-1002 ¹
4 Runner	4.7L V8 F/I	33-2144 ♦♦	HP-1002 ¹
Avalon	3.0L V6 F/I	33-2145-1+	HP-1002 ¹
Camry	2.4L L4 F/I	33-2260 ♦♦	HP-1003 ¹
Camry	3.0L V6 F/I	33-2260+	HP-1002 ¹
Celica	1.8L L4 F/I	33-2041-1 ♦	
Celica GT	1.8L L4 F/I	33-2041-1 ♦♦	HP-1003 ¹
Celica GTS	1.8L L4 F/I	33-2041-1 ♦♦	HP-1003 ¹
Corolla	1.4L L4 F/I	33-2252 ♦	
Corolla	1.6L L4 F/I	33-2252 ♦	
Corolla	1.8L L4 F/I	33-2252 ♦♦	HP-1003 ¹
Corolla	2.0L L4 DSL	33-2835	
Echo	1.5L L4 F/I	33-2211 +	HP-1003 ¹
Highlander	2.4L L4 F/I	33-2260+	HP-1003 ¹
Highlander	3.0L V6 F/I	33-2260+	HP-1002 ¹
Hilux	3.0L L5 DSL	E-2015	
Hilux	3.0L L5 F/I	E-2015	
Land Cruiser	3.0L L4 DSL	E-2444	
Land Cruiser	4.2L L6 DSL	E-2444	
Land Cruiser	4.7L V8 F/I	33-2146 ♦	HP-1002 ¹
Matrix	1.8L L4 F/I	33-2252+	HP-1003 ¹
Matrix XR	1.8L L4 F/I	33-2252 ♦♦	HP-1003 ¹
Matrix XRS	1.8L L4 F/I	33-2252 ♦♦	HP-1003 ¹

Vehicle	Engine Type	Air Filter	Oil Filter
2003 TOYOTA			
MR2 Spyder	1.8L L4 F/I	33-2041-1 ♦	HP-1003 ¹
Prius	1.5L L4 F/I	33-2186+	HP-1003 ¹
RAV4	2.0L L4 F/I	33-2216+	HP-1003 ¹
RAV4 II	1.8L L4 F/I	33-2855	
RAV4 II	2.0L L4 DSL	33-2843	
RAV4 II	2.0L L4 F/I	33-2216 ♦	
Sequoia	4.7L V8 F/I	33-2144 ♦	HP-1002 ¹
Sienna	3.0L V6 F/I	33-2145-1	HP-1002 ¹
Solara	2.4L L4 F/I	33-2145-1 ♦	HP-1003 ¹
Solara	3.0L V6 F/I	33-2145-1	HP-1002 ¹
Tacoma	2.4L L4 F/I	33-2050-1 ♦	HP-1002 ¹
Tacoma	2.7L L4 F/I	33-2050-1 ♦	HP-1002 ¹
Tacoma	3.4L V6 F/I	33-2054 ♦	HP-1002 ¹
Tundra	3.4L V6 F/I	33-2144 ♦	HP-1002 ¹
Tundra	4.7L V8 F/I	33-2144 ♦	HP-1002 ¹
Yaris	1.5L L4 F/I	33-2211 ♦	

2002 TOYOTA			
4 Runner	3.4L V6 F/I	33-2054 ♦	HP-1002 ¹
4 Runner	4.0L V6 F/I	33-2281	HP-1002 ¹
4 Runner	4.7L V8 F/I	33-2144	HP-1002 ¹
Avalon	3.0L V6 F/I	33-2145-1+	HP-1002 ¹
Camry	2.4L L4 F/I	33-2260 ♦♦	HP-1003 ¹
Camry	3.0L V6 F/I	33-2260+	HP-1002 ¹
Celica	1.8L L4 F/I	33-2041-1 ♦	
Celica GT	1.8L L4 F/I	33-2041-1 ♦♦	HP-1003 ¹
Celica GTS	1.8L L4 F/I	33-2041-1 ♦♦	HP-1003 ¹
Corolla	1.4L L4 F/I	33-2252 ♦	
Corolla	1.6L L4 F/I	33-2252 ♦	
Corolla	1.8L L4 F/I - Non-US	33-2252 ♦	
Corolla	1.8L L4 F/I - US	33-2672 ♦♦	HP-1003 ¹
Echo	1.5L L4 F/I	33-2211 +	HP-1003 ¹
Highlander	2.4L L4 F/I	33-2260+	HP-1003 ¹
Highlander	3.0L V6 F/I	33-2260+	HP-1002 ¹
Hilux	2.7L L4 F/I	E-2233	
Hilux	3.0L L5 DSL	E-2015	
Hilux	3.0L L5 F/I	E-2015	
Land Cruiser	3.0L L4 DSL	E-2444	
Land Cruiser	4.2L L6 DSL	E-2444	
Land Cruiser	4.7L V8 F/I	33-2146 ♦	HP-1002 ¹
MR2 Spyder	1.8L L4 F/I	33-2041-1 ♦	HP-1003 ¹
Prius	1.5L L4 F/I	33-2186+	HP-1003 ¹
RAV4	2.0L L4 F/I	33-2216+	HP-1003 ¹
RAV4 II	1.8L L4 F/I	33-2855	
RAV4 II	2.0L L4 DSL	33-2843	
RAV4 II	2.0L L4 F/I	33-2216 ♦	
Sequoia	4.7L V8 F/I	33-2144 ♦	HP-1002 ¹
Sienna	3.0L V6 F/I	33-2145-1	HP-1002 ¹
Solara	2.4L L4 F/I	33-2145-1 ♦	HP-1003 ¹
Solara	3.0L V6 F/I	33-2145-1	HP-1002 ¹
Tacoma	2.4L L4 F/I	33-2050-1 ♦	HP-1002 ¹
Tacoma	2.7L L4 F/I	33-2050-1 ♦	HP-1002 ¹
Tacoma	3.4L V6 F/I	33-2054 ♦	HP-1002 ¹
Tundra	3.4L V6 F/I	33-2144 ♦	HP-1002 ¹
Tundra	4.7L V8 F/I	33-2144 ♦	HP-1002 ¹

2001 TOYOTA			
4 Runner	3.4L V6 F/I	33-2054 ♦	HP-1002 ¹
Avalon	3.0L V6 F/I	33-2145-1+	HP-1002 ¹
Camry	2.2L L4 F/I	33-2145-1	HP-1003 ¹
Camry	2.4L L4 F/I	33-2260	
Camry	3.0L V6 F/I	33-2145-1	HP-1002 ¹
Celica	1.8L L4 F/I	33-2041-1 ♦	HP-1003 ¹
Celica GT	1.8L L4 F/I	33-2041-1 ♦♦	HP-1003 ¹
Celica GTS	1.8L L4 F/I	33-2041-1 ♦♦	HP-1003 ¹

* 2 filters required ♦ Intake System Available - see page 81 +Cabin Air Filter Available - see page 453 1- Pro Series Filter Available

TOYOTA

AIR & OIL FILTERS

Vehicle	Engine Type	Air Filter	Oil Filter
2001 TOYOTA			
Corolla	1.4L L4 F/I	33-2252 ♦	
Corolla	1.6L L4 F/I	33-2252 ♦	
Corolla	1.8L L4 F/I		HP-1003 ¹
Corolla	1.8L L4 F/I - Non-US	33-2252 ♦	HP-1003
Corolla	1.8L L4 F/I - US	33-2672	HP-1003
Corolla	2.0L L4 DSL	33-2835	
Corolla	2.0L L4 F/I	33-2252	
Echo	1.5L L4 F/I	33-2211 +	HP-1003 ¹
Highlander	2.4L L4 F/I	33-2260+	
Highlander	3.0L V6 F/I	33-2260+	HP-1002 ¹
Hilux	2.7L L4 F/I	E-2233	
Hilux	3.0L L5 DSL	E-2015	
Hilux	3.0L L5 F/I	E-2015	
Land Cruiser	3.0L L4 DSL	E-2444	
Land Cruiser	4.2L L6 DSL	E-2444	
Land Cruiser	4.5L L6 F/I	E-2444	
Land Cruiser	4.7L V8 F/I	33-2146 ♦	HP-1002 ¹
MR2 Spyder	1.8L L4 F/I	33-2041-1 ♦	HP-1003 ¹
Prado	3.0L V6 F/I	E-2444	
Prius	1.5L L4 F/I	33-2186+	HP-1003 ¹
RAV4	2.0L L4 F/I	33-2216+	HP-1003 ¹
RAV4 II	1.8L L4 F/I	33-2855	
RAV4 II	2.0L L4 DSL	33-2843	
RAV4 II	2.0L L4 F/I	33-2216 ♦	
Sequoia	4.7L V8 F/I	33-2144 ♦	HP-1002 ¹
Sienna	3.0L V6 F/I	33-2145-1	HP-1002 ¹
Solara	2.2L L4 F/I	33-2145-1	HP-1003 ¹
Solara	3.0L V6 F/I	33-2145-1	HP-1002 ¹
Tacoma	2.4L L4 F/I	33-2050-1 ♦	HP-1002 ¹
Tacoma	2.7L L4 F/I	33-2050-1 ♦	HP-1002 ¹
Tacoma	3.4L V6 F/I	33-2054 ♦	HP-1002 ¹
Tundra	3.4L V6 F/I	33-2144 ♦	HP-1002 ¹
Tundra	4.7L V8 F/I	33-2144 ♦	HP-1002 ¹

2000 TOYOTA			
4 Runner	2.7L L4 F/I	33-2050-1 ♦	HP-1002 ¹
4 Runner	3.4L V6 F/I	33-2054 ♦	HP-1002 ¹
Avalon	3.0L V6 F/I	33-2145-1+	HP-1002 ¹
Camry	2.2L L4 F/I	33-2145-1	HP-1003 ¹
Camry	3.0L V6 F/I	33-2145-1	HP-1002 ¹
Celica	1.8L L4 F/I	33-2041-1 ♦	HP-1003 ¹
Celica GT	1.8L L4 F/I	33-2041-1 ♦+	HP-1003 ¹
Celica GTS	1.8L L4 F/I	33-2041-1 ♦+	HP-1003 ¹
Corolla	1.3L L4 F/I	33-2671	
Corolla	1.4L L4 F/I - 86BHP, Left Hand Drive	33-2671	
Corolla	1.4L L4 F/I - 97BHP	33-2252	
Corolla	1.8L L4 F/I		HP-1003 ¹
Corolla	1.8L L4 F/I - Non-US	E-2690	HP-1003
Corolla	1.8L L4 F/I - US	33-2672	HP-1003
Corolla	2.0L L4 DSL	33-2835	
Echo	1.5L L4 F/I	33-2211 +	HP-1003 ¹
Hilux	2.7L L4 F/I	E-2233	
Hilux	3.0L L5 DSL	E-2015	
Hilux	3.0L L5 F/I	E-2015	
Land Cruiser	3.0L L4 DSL - D-4D	E-2444	
Land Cruiser	3.0L L4 DSL - Exc., D-4D	E-2233	
Land Cruiser	4.2L L6 DSL	E-2444	
Land Cruiser	4.5L L6 F/I	E-2444	
Land Cruiser	4.7L V8 F/I	33-2146 ♦	HP-1002 ¹
MR2 Spyder	1.8L L4 F/I	33-2041-1 ♦	HP-1003 ¹
RAV4	2.0L L4 F/I	33-2163	HP-1003 ¹
RAV4 I	2.0L L4 F/I - 129BHP	33-2030 ♦	
RAV4 II	1.8L L4 F/I	33-2855	

Vehicle	Engine Type	Air Filter	Oil Filter
2000 TOYOTA			
RAV4 II	2.0L L4 DSL	33-2843	
RAV4 II	2.0L L4 F/I	33-2216 ♦	
Sienna	3.0L V6 F/I	33-2145-1	HP-1002 ¹
Solara	2.2L L4 F/I	33-2145-1	HP-1003 ¹
Solara	3.0L V6 F/I	33-2145-1	HP-1002 ¹
Tacoma	2.4L L4 F/I	33-2050-1 ♦	HP-1002 ¹
Tacoma	2.7L L4 F/I	33-2050-1 ♦	HP-1002 ¹
Tacoma	3.4L V6 F/I	33-2054 ♦	HP-1002 ¹
Tundra	3.4L V6 F/I	33-2144 ♦	HP-1002 ¹
Tundra	4.7L V8 F/I	33-2144 ♦	HP-1002 ¹
Yaris	1.3L L4 F/I	33-2211 ♦	

1999 TOYOTA			
4 Runner	2.7L L4 F/I	33-2050-1 ♦	HP-1002 ¹
4 Runner	3.4L V6 F/I	33-2054 ♦	HP-1002 ¹
Avalon	3.0L V6 F/I	33-2145-1	HP-1002 ¹
Camry	2.2L L4 F/I	33-2145-1	HP-1003 ¹
Camry	3.0L V6 F/I	33-2145-1	HP-1002 ¹
Celica	1.8L L4 F/I - from 11/99	33-2041-1 ♦	
Celica	1.8L L4 F/I - to 10/99	33-2052 ♦	
Celica	2.2L L4 F/I	33-2052	HP-1003 ¹
Corolla	1.3L L4 F/I	33-2671	
Corolla	1.4L L4 F/I - Left Hand Drive	33-2671	
Corolla	1.6L L4 F/I	33-2672 ♦	
Corolla	1.8L L4 F/I		HP-1003 ¹
Corolla	1.8L L4 F/I - Non-US	E-2690	HP-1003
Corolla	1.8L L4 F/I - US	33-2672	HP-1003
Corolla	2.0L L4 DSL	33-2030	
Hilux	2.7L L4 F/I	E-2233	
Hilux	3.0L L5 DSL	E-2015	
Hilux	3.0L L5 F/I	E-2015	
Land Cruiser	3.0L L4 DSL	E-2233	
Land Cruiser	4.2L L6 DSL	E-2444	
Land Cruiser	4.5L L6 F/I	E-2444	
Land Cruiser	4.7L V8 F/I	33-2146 ♦	HP-1002 ¹
RAV4	2.0L L4 F/I	33-2163	HP-1003 ¹
RAV4 I	2.0L L4 F/I - 129BHP	33-2030 ♦	
Sienna	3.0L V6 F/I	33-2145-1	HP-1002 ¹
Solara	2.2L L4 F/I	33-2145-1	HP-1003 ¹
Solara	3.0L V6 F/I	33-2145-1	HP-1002 ¹
Tacoma	2.4L L4 F/I	33-2050-1 ♦	HP-1002 ¹
Tacoma	2.7L L4 F/I	33-2050-1 ♦	HP-1002 ¹
Tacoma	3.4L V6 F/I	33-2054 ♦	HP-1002 ¹
Tercel	1.5L L4 F/I	33-2094	HP-1003 ¹

1998 TOYOTA			
4 Runner	2.7L L4 F/I	33-2050-1 ♦	HP-1002 ¹
4 Runner	3.4L V6 F/I	33-2054 ♦	HP-1002 ¹
Avalon	3.0L V6 F/I	33-2145-1	HP-1002 ¹
Camry	2.2L L4 F/I	33-2145-1	HP-1003 ¹
Camry	3.0L V6 F/I	33-2145-1	HP-1002 ¹
Celica	2.0L L4 F/I	33-2052 ♦	
Celica	2.2L L4 F/I	33-2052	HP-1003 ¹
Corolla	1.3L L4 F/I	33-2671	
Corolla	1.4L L4 F/I - Left Hand Drive	33-2671	
Corolla	1.6L L4 F/I	33-2672 ♦	
Corolla	1.8L L4 F/I		HP-1003 ¹
Corolla	1.8L L4 F/I - Non-US	E-2690	HP-1003
Corolla	1.8L L4 F/I - US	33-2672	HP-1003
Corolla	2.0L L4 DSL	33-2030	
Hilux	2.7L L4 F/I	E-2233	
Hilux	3.0L L5 DSL	E-2015	
Land Cruiser	3.0L L4 DSL	E-2233	
Land Cruiser	4.2L L6 DSL	E-2444	

* 2 filters required ♦ Intake System Available - see page 81 +Cabin Air Filter Available - see page 453 1- Pro Series Filter Available

AIR & OIL FILTERS

TOYOTA

Vehicle	Engine Type	Air Filter	Oil Filter	Vehicle	Engine Type	Air Filter	Oil Filter
1998 TOYOTA				1996 TOYOTA			
Land Cruiser	4.5L L6 F/I	E-2444		Land Cruiser	3.4L L4 F/I	33-2054	
Land Cruiser	4.7L V8 F/I	33-2146	HP-1002 ¹	Land Cruiser	4.2L L6 DSL	E-2443	
RAV4	2.0L L4 F/I	33-2163	HP-1003 ¹	Land Cruiser	4.5L L6 F/I	E-2443	HP-3001 ¹
RAV4 I	2.0L L4 F/I - 129BHP	33-2030 ♦		Paseo	1.5L L4 F/I	33-2094	HP-1003 ¹
Sienna	3.0L V6 F/I	33-2145-1	HP-1002 ¹	RAV4	2.0L L4 F/I	33-2163	HP-1003 ¹
Supra	3.0L L6 F/I	33-2054	HP-1002 ¹	RAV4 I	2.0L L4 F/I - 129BHP	33-2030 ♦	
T100	3.4L V6 F/I	33-2064 ♦	HP-1002 ¹	Starlet	1.3L L4 F/I - OHC, 4EFE Eng., EP91	33-2634	
Tacoma	2.4L L4 F/I	33-2050-1 ♦	HP-1002 ¹	Supra	3.0L L6 F/I	33-2054	HP-1002 ¹
Tacoma	2.7L L4 F/I	33-2050-1 ♦	HP-1002 ¹	T100	2.7L L4 F/I	33-2064	HP-1002 ¹
Tacoma	3.4L V6 F/I	33-2054 ♦	HP-1002 ¹	T100	3.4L V6 F/I	33-2064 ♦	HP-1002 ¹
Tercel	1.5L L4 F/I	33-2094	HP-1003 ¹	Tacoma	2.4L L4 F/I	33-2050-1 ♦	HP-1002 ¹
1997 TOYOTA				1995 TOYOTA			
4 Runner	2.7L L4 F/I	33-2050-1 ♦	HP-1002 ¹	4 Runner	2.4L L4 F/I	33-2050-1 ♦	HP-1002 ¹
4 Runner	3.0L V6 DSL	E-9270		4 Runner	2.7L L4 F/I	33-2050-1	
4 Runner	3.4L V6 F/I	33-2054 ♦	HP-1002 ¹	4 Runner	3.0L V6 DSL	E-9270	
Avalon	3.0L V6 F/I	33-2145-1	HP-1002 ¹	4 Runner	3.0L V6 F/I	E-2605-1 ♦	HP-1002 ¹
Camry	2.2L L4 F/I	33-2145-1	HP-1003 ¹	4 Runner	3.4L V6 F/I	33-2054	HP-1002 ¹
Camry	3.0L V6 F/I	33-2145-1	HP-1002 ¹	Avalon	3.0L V6 F/I	33-2052	HP-1002 ¹
Celica	1.8L L4 F/I		HP-1003 ¹	Camry	2.2L L4 F/I	33-2052	HP-1003 ¹
Celica	1.8L L4 F/I - US	33-2052 ♦	HP-1003	Camry	3.0L V6 F/I	33-2052	HP-1002 ¹
Celica	2.0L L4 F/I	33-2052 ♦		Celica	1.8L L4 F/I	33-2052 ♦	HP-1003
Celica	2.2L L4 F/I	33-2052	HP-1003 ¹	Celica	2.0L L4 F/I	33-2052 ♦	
Corolla	1.4L L4 F/I - Left Hand Drive	33-2671		Celica	2.2L L4 F/I	33-2052	HP-1003 ¹
Corolla	1.6L L4 F/I	33-2672 ♦	HP-1003 ¹	Corolla	1.3L L4 F/I - Exc., 72BHP	33-2671	
Corolla	1.8L L4 F/I		HP-1003 ¹	Corolla	1.6L L4 F/I	33-2672 ♦	HP-1003 ¹
Corolla	1.8L L4 F/I - Non-US, from 5/97	E-2690	HP-1003	Corolla	1.8L L4 F/I	33-2672	HP-1003 ¹
Corolla	1.8L L4 F/I - Non-US, to 4/97	33-2672	HP-1003	Corolla	2.0L L4 DSL	33-2030	
Corolla	1.8L L4 F/I - US	33-2672	HP-1003	Corolla	2.0L L4 DSL	33-2030	
Corolla	2.0L L4 DSL	33-2030		Hilux	2.4L L4 DSL	E-2487	
Hilux	3.0L L5 DSL	E-2015		Hilux	2.4L L4 F/I	33-2050-1	
Land Cruiser	3.0L L4 DSL	E-2233		Hilux	3.0L L5 DSL	E-2444	
Land Cruiser	3.4L L4 F/I	33-2054		Land Cruiser	2.4L L4 DSL	E-2417	
Land Cruiser	4.2L L6 DSL	E-2443		Land Cruiser	3.0L L4 DSL	E-2440	
Land Cruiser	4.5L L6 F/I	E-2443	HP-1002 ¹	Land Cruiser	3.4L L4 DSL	E-2440	
RAV4	2.0L L4 F/I	33-2163	HP-1003 ¹	Land Cruiser	4.2L L6 DSL	E-2443	
RAV4 I	2.0L L4 F/I - 129BHP	33-2030 ♦		Land Cruiser	4.5L L6 F/I	E-2443	HP-3001 ¹
Supra	3.0L L6 F/I	33-2054	HP-1002 ¹	Pickup	2.4L L4 F/I	33-2050-1 ♦	HP-1002 ¹
T100	2.7L L4 F/I	33-2064	HP-1002 ¹	Pickup	3.0L V6 F/I	E-2605-1 ♦	HP-1002 ¹
T100	3.4L V6 F/I	33-2064 ♦	HP-1002 ¹	Previa	2.4L L4 F/I	33-2050-1	HP-1002 ¹
Tacoma	2.4L L4 F/I	33-2050-1 ♦	HP-1002 ¹	Supra	3.0L L6 F/I	33-2054	HP-1002 ¹
Tacoma	2.7L L4 F/I	33-2050-1 ♦	HP-1002 ¹			33-2054 ♦	HP-1002 ¹
Tacoma	3.4L V6 F/I	33-2054 ♦	HP-1002 ¹	T100	2.7L L4 F/I	33-2064	
Tercel	1.5L L4 F/I	33-2094	HP-1003 ¹	T100	3.4L V6 F/I	33-2064 ♦	HP-1002 ¹
1996 TOYOTA				1994 TOYOTA			
4 Runner	2.7L L4 F/I	33-2050-1 ♦	HP-1002 ¹	4 Runner	2.4L L4 F/I	33-2050-1 ♦	HP-1002 ¹
4 Runner	3.0L V6 DSL	E-9270		4 Runner	3.0L V6 DSL	E-9270	
4 Runner	3.4L V6 F/I	33-2054 ♦	HP-1002 ¹	4 Runner	3.0L V6 F/I	E-2605-1 ♦	HP-1002 ¹
Avalon	3.0L V6 F/I	33-2052	HP-1002 ¹	Camry	2.2L L4 F/I	33-2052	HP-1003 ¹
Camry	2.2L L4 F/I	33-2052	HP-1003 ¹	Camry	3.0L V6 F/I	33-2052	HP-1002 ¹
Camry	3.0L V6 F/I	33-2052	HP-1002 ¹	Celica	1.8L L4 F/I		HP-1003 ¹
Celica	1.8L L4 F/I		HP-1003 ¹	Celica	1.8L L4 F/I - US	33-2052 ♦	HP-1003
Celica	1.8L L4 F/I - US	33-2052 ♦	HP-1003	Celica	2.0L L4 F/I - from 3/94	33-2052 ♦	
Celica	2.0L L4 F/I	33-2052 ♦		Celica	2.0L L4 F/I - to 2/94	33-2030 ♦	
Celica	2.2L L4 F/I	33-2052	HP-1003 ¹	Celica	2.2L L4 F/I	33-2052	HP-1003 ¹
Corolla	1.3L L4 F/I - Exc., 72BHP	33-2671		Corolla	1.6L L4 F/I	33-2672 ♦	HP-1003 ¹
Corolla	1.6L L4 F/I	33-2672 ♦	HP-1003 ¹				
Corolla	1.8L L4 F/I	33-2672	HP-1003 ¹				
Hilux	3.0L L5 DSL	E-2444					
Land Cruiser	2.4L L4 DSL	E-2417					
Land Cruiser	3.0L L4 DSL	E-2233					
Land Cruiser	3.4L L4 DSL	E-2440					

* 2 filters required ♦ Intake System Available - see page 81 +Cabin Air Filter Available - see page 453 1- Pro Series Filter Available

TOYOTA

AIR & OIL FILTERS

Vehicle	Engine Type	Air Filter	Oil Filter
1994 TOYOTA			
Corolla	1.8L L4 F/I	33-2672	HP-1003 ¹
Hilux	2.4L L4 DSL	E-2487	
Hilux	2.4L L4 F/I	33-2050-1	
Hilux	3.0L L5 DSL	E-2444	
Land Cruiser	2.4L L4 DSL	E-2417	
Land Cruiser	3.0L L4 DSL	E-2440	
Land Cruiser	3.4L L4 DSL	E-2440	
Land Cruiser	4.2L L6 DSL	E-2443	
Land Cruiser	4.5L L6 F/I	E-2443	HP-3001 ¹
MR2	2.0L L4 F/I	33-2030 ♦	HP-1003 ¹
Pickup	2.4L L4 F/I	33-2050-1 ♦	HP-1002 ¹
Pickup	3.0L V6 F/I	E-2605-1 ♦	HP-1002 ¹
Supra	3.0L L6 F/I	33-2054	HP-1002 ¹
		33-2054 ♦	HP-1002 ¹
T100	3.0L V6 F/I	33-2064	HP-1002 ¹
Tercel	1.5L L4 F/I	33-2094	HP-1003 ¹

Vehicle	Engine Type	Air Filter	Oil Filter
1993 TOYOTA			
4 Runner	2.4L L4 F/I	33-2050-1 ♦	HP-1002 ¹
4 Runner	3.0L V6 DSL	E-9270	
4 Runner	3.0L V6 F/I	E-2605-1 ♦	HP-1002 ¹
Camry	2.2L L4 F/I	33-2052	HP-1003 ¹
Camry	3.0L V6 F/I	33-2052	HP-1002 ¹
Celica	1.6L L4 F/I	33-2041-1	HP-1003 ¹
Celica	2.0L L4 F/I	33-2030 ♦	HP-1003 ¹
Celica	2.2L L4 F/I	33-2030	HP-1003 ¹
Corolla	1.6L L4 F/I	33-2672	HP-1003 ¹
Corolla	1.6L L4 F/I - 105BHP, AE92, 125BHP	33-2030 ♦	HP-1003
Corolla	1.6L L4 F/I - 105BHP, AE95, 116BHP	33-2041-1 ♦	HP-1003
Corolla	1.6L L4 F/I - 114/115BHP	33-2672 ♦	HP-1003
Corolla	1.8L L4 DSL	33-2030	
Corolla	1.8L L4 F/I	33-2672	HP-1003 ¹
Hilux	2.4L L4 DSL	E-2487	
Hilux	2.4L L4 F/I	33-2050-1	
Hilux	3.0L L5 DSL	E-2444	
Land Cruiser	2.4L L4 DSL	E-2417	
Land Cruiser	3.4L L4 DSL	E-2440	
Land Cruiser	4.2L L6 DSL	E-2443	
Land Cruiser	4.5L L6 F/I	E-2443	HP-3001 ¹
MR2	2.0L L4 F/I	33-2030 ♦	HP-1003 ¹
MR2	2.2L L4 F/I	33-2030	HP-1003 ¹
Paseo	1.5L L4 F/I	33-2094	HP-1003 ¹
Pickup	2.4L L4 F/I	33-2050-1 ♦	HP-1002 ¹
Pickup	3.0L V6 F/I	E-2605-1 ♦	HP-1002 ¹
Previa	2.4L L4 F/I	33-2050-1	
Supra	3.0L L6 F/I	33-2054 ♦	HP-1002 ¹
Supra	3.0L L6 F/I - From 5/93	33-2054	HP-1002
Supra	3.0L L6 F/I - to 4/93	E-2605-1	HP-1002
T100	3.0L V6 F/I	33-2064	HP-1002 ¹
Tercel	1.5L L4 F/I	33-2094	HP-1003 ¹

Vehicle	Engine Type	Air Filter	Oil Filter
1992 TOYOTA			
4 Runner	2.4L L4 F/I	33-2050-1 ♦	HP-1002 ¹
4 Runner	3.0L V6 F/I	E-2605-1 ♦	HP-1002 ¹
Camry	2.2L L4 F/I	33-2052	HP-1003 ¹
Camry	3.0L V6 F/I	33-2052	HP-1002 ¹
Celica	1.6L L4 F/I	33-2041-1	HP-1003 ¹
Celica	2.0L L4 F/I	33-2030 ♦	HP-1003 ¹
Celica	2.2L L4 F/I	33-2030	HP-1003 ¹
Corolla	1.6L L4 CARB	E-9107	HP-1003 ¹
Corolla	1.6L L4 F/I	33-2030	HP-1003 ¹
Corolla	1.6L L4 F/I - 105BHP, AE92, 125BHP	33-2030 ♦	HP-1003

Vehicle	Engine Type	Air Filter	Oil Filter
1992 TOYOTA			
Corolla	1.6L L4 F/I - 105BHP, AE95, 116BHP	33-2041-1 ♦	HP-1003
Corolla	1.6L L4 F/I - 114/115BHP	33-2672 ♦	HP-1003
Corolla	1.6L L4 F/I - 90BHP	E-9107 ♦	HP-1003
Corolla	1.8L L4 DSL	33-2030	
Corolla	1.8L L4 F/I	33-2672	
Hilux	2.4L L4 DSL	E-2487	
Hilux	2.4L L4 F/I	33-2050-1	
Hilux	3.0L L5 DSL	E-2444	
Land Cruiser	2.4L L4 DSL	E-2417	
Land Cruiser	4.0L L6 F/I	E-2440	HP-3001 ¹
Land Cruiser	4.2L L6 DSL	E-2443	
Land Cruiser	4.5L L6 F/I	E-2443	
MR2	2.0L L4 F/I	33-2030 ♦	HP-1003 ¹
MR2	2.2L L4 F/I	33-2030	HP-1003 ¹
Paseo	1.5L L4 F/I	33-2094	HP-1003 ¹
Pickup	2.4L L4 F/I	33-2050-1 ♦	HP-1002 ¹
Pickup	3.0L V6 F/I	E-2605-1 ♦	HP-1002 ¹
Supra	3.0L L6 F/I	E-2605-1 ♦	HP-1002 ¹
Tercel	1.5L L4 F/I	33-2094	HP-1003 ¹

Vehicle	Engine Type	Air Filter	Oil Filter
1991 TOYOTA			
4 Runner	2.4L L4 F/I	33-2050-1 ♦	HP-1002 ¹
4 Runner	3.0L V6 F/I	E-2605-1 ♦	HP-1002 ¹
Camry	2.0L L4 DSL	33-2030	
Camry	2.0L L4 F/I	33-2533	HP-1003 ¹
Camry	2.5L V6 F/I	33-2030	HP-1002 ¹
Celica	1.6L L4 F/I	33-2041-1	HP-1003 ¹
Celica	2.0L L4 F/I	33-2030 ♦	HP-1003 ¹
Celica	2.2L L4 F/I	33-2041-1	HP-1003 ¹
Corolla	1.6L L4 CARB	E-9107	HP-1003 ¹
Corolla	1.6L L4 F/I	33-2030	HP-1003 ¹
Corolla	1.6L L4 F/I - 105BHP, AE92, 125BHP	33-2030 ♦	HP-1003
Corolla	1.6L L4 F/I - 105BHP, AE95, 116BHP	33-2041-1 ♦	HP-1003
Corolla	1.6L L4 F/I - 90BHP	E-9107 ♦	HP-1003
Corolla GTS	1.6L L4 F/I	33-2041-1	HP-1003 ¹
Cressida	3.0L L6 F/I	E-2605-1	HP-1002 ¹
Hilux	2.4L L4 DSL	E-2487	
Hilux	2.4L L4 F/I	33-2050-1	
Land Cruiser	2.4L L4 DSL	E-2417	
Land Cruiser	4.0L L6 F/I	E-2440	HP-3001 ¹
Land Cruiser	4.2L L6 DSL	E-2443	
MR2	2.0L L4 F/I	33-2030 ♦	HP-1003 ¹
MR2	2.2L L4 F/I	33-2030	HP-1003 ¹
Pickup	2.4L L4 F/I	33-2050-1 ♦	HP-1002 ¹
Pickup	3.0L V6 F/I	E-2605-1 ♦	HP-1002 ¹
Previa	2.4L L4 F/I	33-2050-1	
Supra	3.0L L6 F/I	E-2605-1 ♦	HP-1002 ¹
Tercel	1.5L L4 F/I	33-2094	HP-1003 ¹

Vehicle	Engine Type	Air Filter	Oil Filter
1990 TOYOTA			
4 Runner	2.4L L4 F/I	33-2050-1 ♦	HP-1002 ¹
4 Runner	3.0L V6 F/I	E-2605-1 ♦	HP-1002 ¹
Camry	2.0L L4 DSL	33-2030	
Camry	2.0L L4 F/I	33-2533	HP-1003 ¹
Camry	2.5L V6 F/I	33-2030	HP-1002 ¹
Celica	1.6L L4 F/I	33-2041-1	HP-1003 ¹
Celica	2.0L L4 F/I	33-2030 ♦	HP-1003 ¹
Celica	2.2L L4 F/I	33-2041-1	HP-1003 ¹
Corolla	1.6L L4 CARB	E-9107	HP-1003 ¹
Corolla	1.6L L4 F/I	33-2030	HP-1003 ¹
Corolla	1.6L L4 F/I - 105BHP, AE92, 125BHP	33-2030 ♦	HP-1003

* 2 filters required ♦ Intake System Available - see page 81 +Cabin Air Filter Available - see page 453 1- Pro Series Filter Available

AIR & OIL FILTERS

TOYOTA

Vehicle	Engine Type	Air Filter	Oil Filter
1990 TOYOTA			
Corolla	1.6L L4 F/I - 105BHP, AE95, 116BHP	33-2041-1 ♦	HP-1003
Corolla	1.6L L4 F/I - 90BHP	E-9107 ♦	HP-1003
Corolla	1.8L L4 DSL	33-2030	
Corolla GTS	1.6L L4 F/I	33-2041-1	HP-1003 ¹
Cressida	3.0L L6 F/I	E-2605-1	
Hilux	2.4L L4 DSL	E-2487	
Hilux	2.4L L4 F/I	33-2050-1	
Land Cruiser	2.4L L4 DSL	E-2417	
Land Cruiser	4.0L L6 F/I	E-2440	HP-3001 ¹
Land Cruiser	4.2L L6 DSL	E-2443	
Pickup	2.4L L4 CARB	E-2820	HP-1002 ¹
Pickup	2.4L L4 F/I	33-2050-1 ♦	HP-1002 ¹
Pickup	3.0L V6 F/I	E-2605-1 ♦	HP-1002 ¹
Starlet	1.3L L4 F/I - Non-US, OHC, Turbo	33-2634	
Supra	3.0L L6 F/I	E-2605-1 ♦	HP-1002 ¹

Vehicle	Engine Type	Air Filter	Oil Filter
1989 TOYOTA			
4 Runner	2.4L L4 F/I	33-2009 ♦	HP-1002 ¹
4 Runner	3.0L V6 F/I	E-2605-1 ♦	HP-1002 ¹
Camry	2.0L L4 DSL	33-2030	
Camry	2.0L L4 F/I	33-2533	HP-1003 ¹
Camry	2.5L V6 F/I		HP-1002 ¹
Celica	2.0L L4 F/I	33-2030 ♦	HP-1003 ¹
Celica All Trac	2.0L L4 F/I	33-2030 ♦	HP-1002 ¹
Celica GTS	2.0L L4 F/I	33-2030 ♦	HP-1003 ¹
Corolla	1.6L L4 CARB	E-9107	HP-1003 ¹
Corolla	1.6L L4 F/I	33-2041-1	HP-1003 ¹
Corolla	1.6L L4 F/I - 105BHP, AE95, 116/125BHP, To 7/89	33-2041-1 ♦	HP-1003
Corolla	1.6L L4 F/I - 90BHP	E-9107 ♦	HP-1003
Corolla	1.6L L4 F/I - From 8/89, 125BHP, AE92, 105BHP	33-2030 ♦	HP-1003
Cressida	3.0L L6 F/I	E-2605-1	
Hilux	2.4L L4 DSL	E-2487	
Hilux	2.4L L4 F/I	33-2050-1	
Land Cruiser	2.4L L4 DSL	E-2417	
Land Cruiser	3.4L L4 DSL	E-2440	
Land Cruiser	4.0L L6 DSL	E-2440	
Land Cruiser	4.0L L6 F/I	E-2440	HP-3001 ¹
MR2	1.6L L4 F/I	E-2605-1 ♦	HP-1003 ¹
Pickup	2.4L L4 CARB	E-2820	HP-1002 ¹
Pickup	2.4L L4 F/I	33-2050-1 ♦	HP-1002 ¹
Pickup	3.0L V6 F/I	E-2605-1 ♦	HP-1002 ¹
Supra	3.0L L6 F/I	E-2605-1 ♦	HP-1002 ¹

Vehicle	Engine Type	Air Filter	Oil Filter
1988 TOYOTA			
4 Runner	2.4L L4 F/I	33-2009 ♦	HP-1002 ¹
4 Runner	3.0L V6 F/I	E-2605-1 ♦	HP-1002 ¹
Camry	2.0L L4 DSL	33-2030	
Camry	2.0L L4 F/I	33-2533	HP-1003 ¹
Celica All Trac	2.0L L4 F/I	33-2030	HP-1002 ¹
Celica GTS	2.0L L4 F/I	33-2030	HP-1003 ¹
Corolla	1.6L L4 F/I	33-2041-1	HP-1003 ¹
Corolla	1.6L L4 F/I - 90BHP	E-9107 ♦	HP-1003
Corolla	1.6L L4 F/I - Exc., 90BHP	33-2041-1 ♦	HP-1003
Corolla DLX	1.6L L4 CARB	E-9107	HP-1003 ¹
Corolla FX	1.6L L4 CARB	E-2690	HP-1003 ¹
Corolla LE	1.6L L4 CARB	E-9107	HP-1003 ¹
Corolla SR5	1.6L L4 CARB	E-9107	HP-1003 ¹
Cressida	2.8L L6 F/I	E-2605-1	
Hilux	2.4L L4 DSL	E-2487	
Land Cruiser	2.4L L4 DSL	E-2417	

Vehicle	Engine Type	Air Filter	Oil Filter
1988 TOYOTA			
Land Cruiser	3.4L L4 DSL	E-2440	
Land Cruiser	4.0L L6 DSL	E-2440	
Land Cruiser	4.0L L6 F/I	E-2440	HP-3001 ¹
Land Cruiser	4.2L L6 CARB	E-2940	HP-3001 ¹
MR2	1.6L L4 F/I	E-2605-1 ♦	HP-1003 ¹
Pickup	2.4L L4 CARB	E-2820	HP-1002 ¹
Pickup	2.4L L4 F/I	33-2009 ♦	HP-1002 ¹
Pickup	3.0L V6 F/I	E-2605-1 ♦	HP-1002 ¹
Supra	3.0L L6 F/I	E-2605-1 ♦	HP-1002 ¹

Vehicle	Engine Type	Air Filter	Oil Filter
1987 TOYOTA			
4 Runner	2.4L L4 F/I	33-2009	HP-1002 ¹
Camry	2.0L L4 DSL	33-2030	
Camry	2.0L L4 F/I	33-2533	HP-1003 ¹
Celica	2.0L L4 F/I	33-2030	HP-1003 ¹
Celica GTS	2.0L L4 F/I	33-2030	HP-1003 ¹
Corolla	1.6L L4 CARB	E-2690	HP-1003 ¹
Corolla	1.6L L4 F/I	33-2533 ♦	HP-1003 ¹
Corolla	1.6L L4 F/I - 90BHP	E-9107 ♦	HP-1003
Corolla	1.6L L4 F/I - Exc., 90BHP	33-2041-1 ♦	HP-1003
Corolla Sport GTS	1.6L L4 F/I		HP-1003 ¹
Cressida	2.8L L6 F/I	E-2605-1	
Land Cruiser	2.4L L4 DSL	E-2417	
Land Cruiser	3.4L L4 DSL	E-2440	
Land Cruiser	4.0L L6 DSL	E-2440	
Land Cruiser	4.2L L6 CARB	E-2940	HP-3001 ¹
MR2	1.6L L4 F/I	E-2605-1 ♦	HP-1003 ¹
Pickup	2.4L L4 CARB	E-2820	HP-1002 ¹
Pickup	2.4L L4 F/I	33-2009	HP-1002 ¹
Supra	3.0L L6 F/I	E-2605-1 ♦	
Supra	3.0L L6 F/I - Exc. Turbo	E-2605-1	HP-2004 ¹
Supra	3.0L L6 F/I - Turbo	E-2605-1	HP-1002 ¹

Vehicle	Engine Type	Air Filter	Oil Filter
1986 TOYOTA			
4 Runner	2.4L L4 F/I		HP-2004 ¹
4 Runner	2.4L L4 F/I - Exc. Turbo	E-2820	HP-2004
4 Runner	2.4L L4 F/I - Turbo	33-2009	HP-2004
Celica GT	2.0L L4 F/I	33-2030	HP-1003 ¹
Celica GTS	2.0L L4 F/I	33-2030	HP-1003 ¹
Corolla	1.6L L4 CARB	E-2690	HP-1003 ¹
Corolla	1.6L L4 F/I		HP-1003 ¹
Cressida	2.8L L6 F/I	E-2605-1	HP-2004 ¹
Land Cruiser	2.4L L4 DSL	E-2417	
Land Cruiser	4.0L L6 DSL	E-2440	
Land Cruiser	4.2L L6 CARB	E-2940	
MR2	1.6L L4 F/I	E-2485	HP-1003 ¹
MR2	1.6L L4 F/I - Non-US, from 4/86	E-2605-1 ♦	HP-1003
MR2	1.6L L4 F/I - Non-US, to 3/86	E-2485 ♦	HP-1003
Pickup	2.4L L4 CARB	E-2820	HP-2004 ¹
Pickup	2.4L L4 DSL		HP-3001 ¹
Pickup	2.4L L4 F/I	33-2009	HP-2004 ¹
Supra	2.8L L6 F/I	E-2487	HP-2004 ¹
Supra	3.0L L6 F/I	E-2605-1 ♦	HP-1002 ¹

Vehicle	Engine Type	Air Filter	Oil Filter
1985 TOYOTA			
4 Runner	2.4L L4 F/I		HP-2004 ¹
4 Runner	2.4L L4 F/I - Exc. Turbo	E-2820	HP-2004
4 Runner	2.4L L4 F/I - Turbo	33-2009	HP-2004
Celica	2.4L L4 F/I	E-2487	HP-2004 ¹
Celica	2.8L L6 F/I	E-2487	HP-2004 ¹
Corolla	1.6L L4 CARB	E-2690	HP-1003 ¹
Corolla	1.6L L4 F/I		HP-1003 ¹
Corolla	1.8L L4 DSL	33-2030	
Land Cruiser	2.4L L4 DSL	E-2417	

* 2 filters required ♦ Intake System Available - see page 81 +Cabin Air Filter Available - see page 453 1- Pro Series Filter Available

Partial Listing - Complete List of Vehicles and Applications at knfilters.com

TOYOTA

AIR & OIL FILTERS

Vehicle	Engine Type	Air Filter	Oil Filter
1985 TOYOTA			
Land Cruiser	3.4L L4 DSL	E-2440	
Land Cruiser	4.0L L6 DSL	E-2440	
Land Cruiser	4.2L L6 CARB	E-2940	HP-3001 ¹
MR2	1.6L L4 F/I	E-2485 ♦	HP-1003 ¹
Pickup	2.4L L4 CARB	E-2820	HP-2004 ¹
Pickup	2.4L L4 DSL		HP-3001 ¹
Pickup	2.4L L4 DSL - Exc. Turbo	E-2220	HP-3001
Pickup	2.4L L4 DSL - Turbo	E-2487	HP-3001
Pickup	2.4L L4 F/I	33-2009	HP-2004 ¹
Supra	2.8L L6 F/I	E-2487	

1984 TOYOTA			
4 Runner	2.4L L4 CARB	E-2820	HP-1002 ¹
Celica	2.4L L4 F/I	E-2487	HP-2004 ¹
Corolla	1.6L L4 CARB		HP-1003 ¹
Land Cruiser	2.4L L4 DSL	E-2417	
Land Cruiser	3.4L L4 DSL	E-2440	
Land Cruiser	4.2L L6 CARB	E-2940	HP-3001 ¹
Pickup	2.4L L4 CARB	E-2820	HP-2004 ¹
Pickup	2.4L L4 DSL	E-2220	HP-3001 ¹
Pickup	2.4L L4 F/I	33-2009	HP-2004 ¹
Supra	2.8L L6 F/I	E-2487	

1983 TOYOTA			
Celica	2.4L L4 CARB	E-2820	HP-2004 ¹
Celica	2.4L L4 F/I	E-2487	HP-2004 ¹
Land Cruiser	4.2L L6 CARB	E-2940	
Pickup	2.2L L4 DSL	E-2220	HP-3001 ¹
Pickup	2.4L L4 CARB	E-2820	HP-2004 ¹

1982 TOYOTA			
Corolla	1.8L L4 CARB	E-2760	
Land Cruiser	3.4L L4 DSL	E-2440	
Land Cruiser	4.0L L6 DSL	E-2440	
Land Cruiser	4.2L L6 CARB	E-2940	HP-3001 ¹
Pickup	2.2L L4 DSL	E-2220	HP-3001 ¹
Pickup	2.4L L4 CARB	E-2820	HP-2004 ¹
Supra	2.8L L6 F/I	E-2487	

1981 TOYOTA			
Corolla	1.8L L4 CARB	E-2760	
Pickup	2.2L L4 DSL		HP-3001 ¹
Pickup	2.4L L4 CARB	E-2820	HP-2004 ¹

1980 TOYOTA			
Land Cruiser	4.2L L6 CARB	E-2940	
Pickup	2.2L L4 CARB	E-2820	HP-2004 ¹

1979 TOYOTA			
Land Cruiser	3.0L L4 DSL	E-2440	
Land Cruiser	3.6L L6 DSL	E-2440	
Land Cruiser	4.2L L6 CARB	E-2940	
Pickup	135 L4 CARB	E-2820	HP-2004 ¹

1978 TOYOTA			
Corolla	1.6L L4 CARB	E-2640	
Land Cruiser	3.0L L4 DSL	E-2440	
Land Cruiser	3.6L L6 DSL	E-2440	
Land Cruiser	4.2L L6 CARB	E-2940	HP-3001 ¹

1977 TOYOTA			
Celica	2.0L L4 CARB - 57mm High	E-2610	
Celica	2.0L L4 CARB - 70mm High	E-2488	
Land Cruiser	3.6L L6 DSL	E-2440	
Land Cruiser	4.2L L6 CARB	E-2940	HP-3001 ¹

Vehicle	Engine Type	Air Filter	Oil Filter
1976 TOYOTA			
Land Cruiser	3.6L L6 DSL	E-2440	
Land Cruiser	4.2L L6 CARB	E-2940	HP-3001 ¹

1975 TOYOTA			
Land Cruiser	4.2L L6 CARB	E-2940	HP-3001 ¹

1974 TOYOTA			
Land Cruiser	238 L6 CARB	E-2440	HP-3001 ¹
Land Cruiser	3.0L L4 DSL	E-2440	

1973 TOYOTA			
Land Cruiser	238 L6 CARB	E-2440	

1972 TOYOTA			
Land Cruiser	238 L6 CARB	E-2440	HP-3001 ¹

1971 TOYOTA			
Land Cruiser	238 L6 CARB	E-2440	HP-3001 ¹

1970 TOYOTA			
Land Cruiser	238 L6 CARB	E-2440	

1969 TOYOTA			
Land Cruiser	238 L6 CARB	E-2440	

2015 TRIUMPH			
America	865		KN-204
America LT	865		KN-204
Bonneville	865		KN-204
Bonneville T100	865		KN-204
Bonneville T100	865		KN-204
Black			
Bonneville T214 SE	865		KN-204
Daytona 675 ABS	675		KN-204
Daytona 675R ABS	675		KN-204
Rocket III Roadster ABS	2294		KN-204
Scrambler	865	TB-9004	KN-204
Speed Triple ABS	1050		KN-204
Speed Triple R ABS	1050		KN-204
Speedmaster	865		KN-204
Thruxton	865	TB-9004	KN-204
Thruxton Ace SE	865	TB-9004	KN-204
Thunderbird	1699		KN-204
Comander ABS			
Thunderbird LT	1699		KN-204
Thunderbird Storm	1699	TB-1610	KN-204
ABS			
Trophy SE	1215		KN-204

2014 TRIUMPH			
America	865	TB-8002	KN-204
America LT	865	TB-8002	KN-204
Bonneville	865	TB-9004	KN-204
Bonneville	865	TB-9004	KN-204
Newchurch SE			
Bonneville T100	865	TB-9004	KN-204
Bonneville T100	865	TB-9004	KN-204
Black			
Daytona 675	675	TB-6713	KN-204
Daytona 675R	675	TB-6713	KN-204
Rocket III Roadster	2294	TB-2204	KN-204
Rocket III Touring	2294		KN-204
Scrambler	865	TB-9004	KN-204
Speed Triple ABS	1050	TB-1011	KN-204
Speed Triple R ABS	1050	TB-1011	KN-204
Speed Triple SE	1050	TB-1011	
Speedmaster	865	TB-8002	KN-204
Street Triple ABS	675	TB-6713	KN-204
Street Triple R ABS	675	TB-6713	KN-204

* 2 filters required ♦ Intake System Available - see page 81 +Cabin Air Filter Available - see page 453 1- Pro Series Filter Available

AIR & OIL FILTERS

TRIUMPH

Vehicle	Engine Type	Air Filter	Oil Filter
2014 TRIUMPH			
Thrupton	865	TB-9004	KN-204
Thunderbird	1597	TB-1610	KN-204
Thunderbird Comander	1699		KN-204
Thunderbird LT	1699		KN-204
Thunderbird Storm	1699	TB-1610	KN-204
Tiger 800 ABS	799	TB-8011	KN-204
Tiger 800 XC	799	TB-8011	KN-204
Tiger Explorer	1215	TB-1212	KN-204
Tiger Explorer XC	1215	TB-1212	KN-204
Trophy SE	1215	TB-1213	KN-204

Vehicle	Engine Type	Air Filter	Oil Filter
2013 TRIUMPH			
America	865	TB-8002	KN-204
Bonneville	865	TB-9004	KN-204
Bonneville SE	865	TB-9004	KN-204
Bonneville T100	865	TB-9004	KN-204
Daytona 675	675	TB-6713	KN-204
Daytona 675R	675	TB-6713	KN-204
Rocket III Roadster	2294	TB-2204	KN-204
Rocket III Touring	2294	TB-2204	KN-204
Scrambler	865	TB-9004	KN-204
Speed Triple ABS	1050	TB-1011	KN-204
Speed Triple R ABS	1050	TB-1011	KN-204
Speed Triple SE	1050	TB-1011	
Speedmaster	865	TB-8002	KN-204
Sprint GT	1050		KN-204
Street Triple	675	TB-6713	KN-204
Street Triple R	675	TB-6713	KN-204
Thrupton	865	TB-9004	KN-204
Thunderbird	1597	TB-1610	KN-204
Thunderbird ABS	1597	TB-1610	KN-204
Thunderbird Storm	1699	TB-1610	KN-204
Thunderbird Storm ABS	1699	TB-1610	KN-204
Tiger 800 ABS	799	TB-8011	KN-204
Tiger 800 XC ABS	799	TB-8011	KN-204
Tiger Explorer	1215	TB-1212	KN-204
Tiger Explorer XC	1215	TB-1212	KN-204
Trophy SE	1215	TB-1213	KN-204

Vehicle	Engine Type	Air Filter	Oil Filter
2012 TRIUMPH			
America	865	TB-8002	KN-204
Bonneville	865	TB-9004	KN-204
Bonneville SE	865	TB-9004	KN-204
Bonneville Steve McQueen SE	865	TB-9004	KN-204
Bonneville T100	865	TB-9004	KN-204
Bonneville T100	865	TB-9004	KN-204
110th Anniversary LE			
Daytona 675	671	TB-6706	KN-204
Daytona 675R	671	TB-6706	KN-204
Rocket III Roadster	2294	TB-2204	KN-204
Rocket III Touring	2294	TB-2204	KN-204
Scrambler	865	TB-9004	KN-204
Speed Triple	1050	TB-1011	KN-204
Speed Triple ABS	1050	TB-1011	KN-204
Speed Triple R ABS	1050	TB-1011	KN-204
Speedmaster	865	TB-8002	KN-204
Street Triple	675	TB-6706	KN-204
Street Triple R	675	TB-6706	KN-204
Thrupton	865	TB-9004	KN-204
Thunderbird ABS	1597	TB-1610	KN-204
Thunderbird Storm	1699	TB-1610	KN-204
Thunderbird Storm ABS	1699	TB-1610	KN-204

Vehicle	Engine Type	Air Filter	Oil Filter
2012 TRIUMPH			
Tiger 800 ABS	799	TB-8011	KN-204
Tiger 800 XC ABS	799	TB-8011	KN-204
Tiger Explorer	1215	TB-1212	KN-204

Vehicle	Engine Type	Air Filter	Oil Filter
2011 TRIUMPH			
America	865	TB-8002	KN-204
America Classic	865	TB-8002	KN-204
Bonneville SE	865	TB-9004	KN-204
Bonneville T100	865	TB-9004	KN-204
Bonneville T100 Jet Black	865	TB-9004	KN-204
Daytona 675	671	TB-6706	KN-204
Daytona 675R	671	TB-6706	KN-204
Rocket III Classic Tourer	2294	TB-2204	KN-204
Rocket III Roadster	2294	TB-2204	KN-204
Speed Triple	1050	TB-1011	KN-204
Speed Triple ABS	1050	TB-1011	KN-204
Speedmaster	865	TB-8002	KN-204
Sprint GT	1050	TB-1005	KN-204
Street Triple	675	TB-6706	KN-204
Street Triple R	675	TB-6706	KN-204
Thrupton	865	TB-9004	KN-204
Thrupton SE	865	TB-9004	KN-204
Thunderbird	1597	TB-1610	KN-204
Thunderbird 1700	1700	TB-1610	KN-204
Thunderbird ABS	1597	TB-1610	KN-204
Thunderbird SE	1597	TB-1610	KN-204
Thunderbird Storm	1597	TB-1610	KN-204
Tiger 800	799	TB-8011	KN-204
Tiger 800 ABS	799	TB-8011	KN-204
Tiger 800 XC	799	TB-8011	KN-204
Tiger 800 XC ABS	799	TB-8011	KN-204
Tiger 1050 SE	1050	TB-1005	

Vehicle	Engine Type	Air Filter	Oil Filter
2010 TRIUMPH			
America	865	TB-8002	KN-204
Bonneville	865	TB-9004	KN-204
Bonneville SE	865	TB-9004	KN-204
Bonneville T100	865	TB-9004	KN-204
Daytona 675	671	TB-6706	KN-204
Rocket III Classic Tourer	2294	TB-2204	KN-204
Rocket III Roadster	2294	TB-2204	KN-204
Scrambler	865	TB-9004	KN-204
Speed Triple	1050	TB-1005	KN-204
Speedmaster	865	TB-8002	KN-204
Street Triple	671	TB-6706	KN-204
Street Triple R	671	TB-6706	KN-204
Thrupton	865	TB-9004	KN-204
Thunderbird	1597	TB-1610	KN-204
Thunderbird ABS	1597	TB-1610	KN-204
Tiger 1050 ABS	1050	TB-1005	KN-204
Tiger 1050 SE	1050	TB-1005	KN-204

Vehicle	Engine Type	Air Filter	Oil Filter
2009 TRIUMPH			
America	865	TB-8002	KN-204
Bonneville	865	TB-9004	KN-204
Bonneville SE	865	TB-9004	KN-204
Bonneville T100	865	TB-9004	KN-204
Daytona 675	671	TB-6706	KN-204
Daytona 675 SE	671	TB-6706	KN-204
Rocket III	2294	TB-2204	KN-204
Rocket III Classic	2294	TB-2204	KN-204
Rocket III Classic Tourer	2294	TB-2204	KN-204

* 2 filters required ♦ Intake System Available - see page 81 +Cabin Air Filter Available - see page 453 1- Pro Series Filter Available

Partial Listing - Complete List of Vehicles and Applications at knfilters.com

TRIUMPH

AIR & OIL FILTERS

Vehicle	Engine Type	Air Filter	Oil Filter
2009 TRIUMPH			
Scrambler	865	TB-9004	KN-204
Speed Triple	1050	TB-1005	KN-204
Speedmaster	865	TB-8002	KN-204
Sprint ST	1050	TB-1005	KN-204
Street Triple	671	TB-6706	KN-204
Street Triple R	671	TB-6706	KN-204
Thrupton	865	TB-9004	KN-204
Tiger	1050	TB-1005	KN-204

Vehicle	Engine Type	Air Filter	Oil Filter
2008 TRIUMPH			
America	865	TB-8002	KN-204
Bonneville	865	TB-9004	KN-204
Bonneville T100	865	TB-9004	KN-204
Daytona 675	671	TB-6706	KN-204
Daytona 675 SE	671	TB-6706	KN-204
Rocket III	2294	TB-2204	KN-204
Rocket III Classic	2294	TB-2204	KN-204
Rocket III Classic	2294	TB-2204	KN-204
Tourer			
Scrambler	865	TB-9004	KN-204
Speed Triple	1050	TB-1005	KN-204
Speedmaster	865	TB-8002	KN-204
Sprint ST	1050	TB-1005	KN-204
Street Triple	671	TB-6706	KN-204
Thrupton	865	TB-9004	KN-204
Tiger	1050	TB-1005	KN-204

Vehicle	Engine Type	Air Filter	Oil Filter
2007 TRIUMPH			
America	865	TB-8002	KN-204
Bonneville	865	TB-9004	KN-204
Bonneville T100	865	TB-9004	KN-204
Daytona 675	671	TB-6706	KN-204
Rocket III	2294	TB-2204	KN-204
Rocket III Classic	2294	TB-2204	KN-204
Rocket III Classic	2294	TB-2204	KN-204
Tourer			
Scrambler	865	TB-9004	KN-204
Speed Triple	1050	TB-1005	KN-204
Speedmaster	865	TB-8002	KN-204
Sprint ST	1050	TB-1005	KN-204
Street Triple	671	TB-6706	
Thrupton	865	TB-9004	KN-204
Tiger	1050	TB-1005	KN-204

Vehicle	Engine Type	Air Filter	Oil Filter
2006 TRIUMPH			
America	865	TB-8002	KN-204
Bonneville	865	TB-9004	KN-204
Bonneville T100	865	TB-9004	KN-204
Daytona 675	671	TB-6706	KN-204
Rocket III	2294	TB-2204	KN-204
Rocket III Classic	2294	TB-2204	KN-204
Scrambler	865	TB-9004	KN-204
Speed Triple	1050	TB-1005	KN-204
Speedmaster	865	TB-8002	KN-204
Sprint ST	1050	TB-1005	KN-204
Thrupton	865	TB-9004	KN-204
Tiger	956	TB-9097	KN-204

Vehicle	Engine Type	Air Filter	Oil Filter
2005 TRIUMPH			
America	865	TB-8002	KN-204
Bonneville	800	TB-9004	KN-204
Bonneville T100	865	TB-9004	KN-204
Daytona 650	650	TB-6000	KN-204
Rocket III	2294	TB-2204	KN-204
Speed Triple	1050	TB-1005	KN-204
Speedmaster	865	TB-8002	KN-204

Vehicle	Engine Type	Air Filter	Oil Filter
2005 TRIUMPH			
Sprint ST	1050	TB-1005	KN-204
Thrupton	865	TB-9004	KN-204
Tiger	956	TB-9097	KN-204

Vehicle	Engine Type	Air Filter	Oil Filter
2004 TRIUMPH			
America	865	TB-8002	KN-204
Bonneville	800	TB-9004	KN-191
Bonneville T100	800	TB-9004	KN-191
Daytona 600	600	TB-6000	KN-204
Daytona 955i	956	TB-9002	KN-204
Speed Triple	956	TB-9002	KN-204
Speedmaster	865	TB-8002	KN-204
Sprint RS	956		KN-204
Sprint ST	955		KN-204
Thrupton	865	TB-9004	KN-204
Tiger	956	TB-9097	KN-204

Vehicle	Engine Type	Air Filter	Oil Filter
2003 TRIUMPH			
America	865	TB-8002	KN-191
Bonneville	800	TB-9004	KN-191
Bonneville T100	800	TB-9004	KN-191
Daytona 955i	956	TB-9002	KN-204
Speed Four	600	TB-6000	KN-191
Speed Triple	956	TB-9002	KN-204
Speedmaster	865	TB-8002	KN-204
Sprint ST	955	TB-9002	KN-204
Thunderbird Sport	900	TB-9095	
Tiger	956	TB-9097	KN-204

Vehicle	Engine Type	Air Filter	Oil Filter
2002 TRIUMPH			
America	865		KN-191
Bonneville	800	TB-9004	KN-191
Bonneville T100	800	TB-9004	KN-191
Daytona 955i	956	TB-9002	KN-204
Daytona 955i CE	956	TB-9002	KN-204
Speed Triple	956		KN-204
Speed Triple T509	955	TB-9002	
Thunderbird Sport	900	TB-9095	KN-192
Tiger	956		KN-204
TT600	596	TB-6000	KN-191

Vehicle	Engine Type	Air Filter	Oil Filter
2001 TRIUMPH			
Bonneville	800	TB-9004	KN-191
Daytona 955i	956		KN-204
Speed Triple T509	955	TB-9097	
Sprint RS	956	TB-9097	KN-204
Sprint ST	955	TB-9097	KN-204
Thunderbird Sport	900	TB-9095	KN-192
Tiger	956	TB-9097	KN-204
Trophy 1200	1179	TB-9091	
TT600	596	TB-6000	KN-191

Vehicle	Engine Type	Air Filter	Oil Filter
2000 TRIUMPH			
Daytona 955i	956	TB-9097	KN-191
Legend TT	885	TB-9095	KN-204
Speed Triple T509	955	TB-9097	
Sprint ST	955	TB-9097	
Thunderbird	885	TB-9095	KN-204
Thunderbird Sport	885	TB-9095	KN-192
Tiger	885	TB-9097	KN-204
Trophy 900	885	TB-9091	KN-204
TT600	596	TB-6000	KN-191

Vehicle	Engine Type	Air Filter	Oil Filter
1999 TRIUMPH			
Adventurer 900	885	TB-9095	KN-204
Daytona 955i	956	TB-9097	KN-191
Legend TT	885	TB-9095	KN-204

* 2 filters required ♦ Intake System Available - see page 81 +Cabin Air Filter Available - see page 453 1- Pro Series Filter Available

AIR & OIL FILTERS

TRIUMPH

Vehicle	Engine Type	Air Filter	Oil Filter
1999 TRIUMPH			
Speed Triple T509	955	TB-9097	
Sprint ST	955	TB-9097	
Thunderbird	885	TB-9095	KN-204
Thunderbird Sport	885	TB-9095	KN-204
Tiger	885		KN-204
1998 TRIUMPH			
Daytona T595	955	TB-9097	KN-191
Thunderbird	885	TB-9095	
Thunderbird Sport	885	TB-9095	KN-192
Trophy 900	885	TB-9091	
1997 TRIUMPH			
Daytona T595	955	TB-9097	KN-191
Speed Triple T509	885	TB-9097	KN-191
Thunderbird Sport	900	TB-9095	
1996 TRIUMPH			
Thunderbird	885	TB-9095	
Trophy 900	885	TB-9091	
1995 TRIUMPH			
Speed Triple	885	TB-9091	
Thunderbird Sport	900	TB-9095	KN-192
1980 TRIUMPH			
Spitfire	1.5L L4 CARB - Engines Fitted w/ 3/4 in Filter Adaptor Stud		HP-2004 ¹
TR7	2.0L L4 CARB	33-2011	
TR8	3.5L V8 CARB		HP-2004 ¹
1979 TRIUMPH			
Spitfire	1.5L L4 CARB - Engines Fitted w/ 3/4 in Filter Adaptor Stud		HP-2004 ¹
TR7	122 L4 CARB - Calif.	E-2420	
TR7	122 L4 CARB - Exc. Calif	33-2011	
1978 TRIUMPH			
Spitfire	1.5L L4 CARB - Engines Fitted w/ 3/4 in Filter Adaptor Stud		HP-2004 ¹
1977 TRIUMPH			
TR7	122 L4 CARB - Exc. Calif	33-2011	
1976 TRIUMPH			
Spitfire	91 L4 CARB - Engines Fitted w/ 3/4 in Filter Adaptor Stud		HP-2004 ¹
TR6	122 L6 CARB	E-2540	
TR6	152 L6 F/I	E-9108	
TR7	122 L4 CARB - Calif.	E-2420	
TR7	122 L4 CARB - Exc. Calif	33-2011	
1975 TRIUMPH			
Spitfire	91 L4 CARB - Engines Fitted w/ 3/4 in Filter Adaptor Stud		HP-2004 ¹
TR6	152 L6 F/I	E-9108	
1974 TRIUMPH			
TR6	152 L6 F/I	E-9108	
1973 TRIUMPH			
TR6	152 L6 F/I	E-9108	
1972 TRIUMPH			
TR6	152 L6 F/I	E-9108	

Vehicle	Engine Type	Air Filter	Oil Filter
1971 TRIUMPH			
TR6	152 L6 F/I	E-9108	
1969 TRIUMPH			
TR6	152 L6 CARB	E-2540	
TR6	152 L6 F/I	E-9108	
1966 TRIUMPH			
Herald	70 L4 CARB	E-3180	
1965 TRIUMPH			
Herald	70 L4 CARB	E-3180	
1964 TRIUMPH			
Herald	70 L4 CARB	E-3180	
1963 TRIUMPH			
Herald	70 L4 CARB	E-3180	
1962 TRIUMPH			
Herald	70 L4 CARB	E-3180	
2015 VAUXHALL			
Adam	1.4L L4 F/I	33-3011	
2013 VAUXHALL			
Astra MK6	2.0L L4 DSL	33-2966	
Astra MK6	2.0L L4 F/I	33-2964	
2011 VAUXHALL			
Insignia	2.0L L4 DSL	33-2962	
Insignia	2.0L L4 F/I	33-2962	
2009 VAUXHALL			
Insignia	2.0L L4 DSL	33-2962	
Insignia	2.0L L4 F/I	33-2962	
2008 VAUXHALL			
Astra MK5	1.8L L4 F/I	33-2787 ♦	
2005 VAUXHALL			
Astra MK5	1.7L L4 DSL	33-2787 ♦	
Monaro	5.7L V8 F/I	33-2116	
2004 VAUXHALL			
Astra MK5	1.7L L4 DSL	33-2787 ♦	
Monaro	5.7L V8 F/I	33-2116	
1999 VAUXHALL			
Astra Mk3	1.6L L4 F/I	33-2653-2	
1998 VAUXHALL			
Frontera	2.5L L4 DSL	33-2013	
2015 VICTORY			
Cross Country	1731		KN-198
Cross Country 8-Ball	1731		KN-198
Cross Country Tour	1731		KN-198
Gunner	1731	PL-1608	KN-198
Hammer 8-Ball	1731	PL-1608	
High-Ball	1731	PL-1608	KN-198
Magnum	1731		KN-198
Vegas 8-Ball	1731	PL-1608	KN-198
Vision Tour	1731		KN-198
2014 VICTORY			
Boardwalk	1731	PL-1608	
Cross Country	1731		KN-198
Cross Country 8-Ball	1731		KN-198
Cross Country Tour	1731		KN-198
Cross Country Tour	1731		KN-198
15th Anniversary LE			
Cross Roads 8-Ball	1731		KN-198
Hammer 8-Ball	1731	PL-1608	KN-198

* 2 filters required ♦ Intake System Available - see page 81 +Cabin Air Filter Available - see page 453 1- Pro Series Filter Available

Partial Listing - Complete List of Vehicles and Applications at knfilters.com

VICTORY

AIR & OIL FILTERS

Vehicle	Engine Type	Air Filter	Oil Filter
2014 VICTORY			
High-Ball	1731	PL-1608	KN-198
Jackpot	1731	PL-1608	KN-198
Judge	1731	PL-1608	KN-198
Vegas 8-Ball	1731	PL-1608	KN-198
Vision Tour	1731		KN-198
2013 VICTORY			
Boardwalk	1731	PL-1608	KN-198
Cross Country	1731		KN-198
Cross Country Cory Ness	1731		KN-198
Cross Country Tour	1731		KN-198
Cross Country Zach Ness	1731		KN-198
Cross Roads Classic	1731		KN-198
Hammer 8-Ball	1731	PL-1608	KN-198
Hard-Ball	1731		KN-198
High-Ball	1731	PL-1608	KN-198
Judge	1731	PL-1608	KN-198
Vegas 8-Ball	1731	PL-1608	KN-198
Vision Tour	1731		KN-198
2012 VICTORY			
Cross Country	1731		KN-198
Cross Country Cory Ness	1731		KN-198
Cross Country Tour	1731		KN-198
Cross Roads	1731		KN-198
Hammer 8-Ball	1731	PL-1608	KN-198
Hard-Ball	1731		KN-198
High-Ball	1731	PL-1608	KN-198
Kingpin	1731	PL-1608	KN-198
Vegas 8-Ball	1731	PL-1608	KN-198
Vegas Jackpot	1731	PL-1608	KN-198
Vision Tour	1731		KN-198
2011 VICTORY			
Cross Country	1731		KN-198
Cross Country Cory Ness	1731		KN-198
Cross Roads	1731		KN-198
Hammer 8-Ball	1731	PL-1608	
Kingpin 8-Ball	1731	PL-1608	
Vegas	1731	PL-1608	
Vegas 8-Ball	1731	PL-1608	KN-198
Vegas Jackpot	1731	PL-1608	KN-198
Vegas Zach Ness	1731	PL-1608	KN-198
Vision 8-Ball	1731		KN-198
Vision Tour	1731		KN-198
2010 VICTORY			
Cross Country	1731		KN-198
Cross Roads	1731		KN-198
Hammer	1731	PL-1608	
Hammer 8-Ball	1731	PL-1608	KN-198
Hammer S	1731	PL-1608	KN-198
Jackpot Cory Ness	1731	PL-1608	
Kingpin 8-Ball	1634	PL-1608	
Kingpin Low	1634	PL-1608	
Kingpin Tour	1634	PL-1608	
Vegas 8-Ball	1634	PL-1608	KN-198
Vegas Jackpot	1731	PL-1608	
Vegas Low	1634	PL-1608	
Vision Tour	1731		KN-198
2009 VICTORY			
Hammer S	1731	PL-1608	

Vehicle	Engine Type	Air Filter	Oil Filter
2009 VICTORY			
Jackpot Cory Ness	1731	PL-1608	
Kingpin 8-Ball	1634	PL-1608	
Kingpin Low	1634	PL-1608	
Kingpin Tour	1634	PL-1608	
Vegas 8-Ball	1634	PL-1608	KN-198
Vegas Jackpot	1731	PL-1608	KN-198
Vegas Low	1634	PL-1608	
Vision Street	1731		KN-198
Premium			
Vision Tour	1731		KN-198
Vision Tour 10th Anniversary	1731		KN-198
2008 VICTORY			
Hammer	1634	PL-1608	KN-198
Hammer S	1634	PL-1608	KN-198
Kingpin	1634	PL-1608	KN-198
Kingpin 8-Ball	1634	PL-1608	
Kingpin Tour	1634	PL-1608	
Vegas	1634	PL-1608	
Vegas 8-Ball	1634	PL-1608	KN-198
Vegas Jackpot	1634	PL-1608	KN-198
Vegas Low	1634	PL-1608	
Vision Tour	1731		KN-198
2007 VICTORY			
Hammer	1634	PL-1500	KN-198
Hammer S	1634	PL-1500	KN-198
Kingpin	1634	PL-1500	KN-198
Kingpin Tour	1634	PL-1500	
Vegas	1634	PL-1500	KN-198
Vegas 8-Ball	1634	PL-1500	KN-198
Vegas Jackpot	1634	PL-1500	KN-198
2006 VICTORY			
Hammer	1634	PL-1500	KN-198
Kingpin	1634	PL-1500	KN-198
Vegas	1634	PL-1500	KN-198
Vegas 8-Ball	1634	PL-1500	KN-198
Vegas Jackpot	1634	PL-1500	KN-198
2005 VICTORY			
Hammer	1634	PL-1500	KN-198
Kingpin	1507	PL-1500	KN-198
Kingpin Ness	1507	PL-1500	KN-198
Signature Series			
Vegas	1507	PL-1500	KN-198
Vegas 8-Ball	1507	PL-1500	KN-198
Vegas Ness	1507	PL-1500	KN-198
Signature Series			
2004 VICTORY			
Kingpin	1507	PL-1500	KN-198
Touring Cruiser	1508	PL-1500	KN-198
Vegas	1507	PL-1500	KN-198
2003 VICTORY			
Classic Cruiser	1508	PL-1500	KN-198
Touring Cruiser	1508	PL-1500	KN-198
Vegas	1507	PL-1500	KN-198
2002 VICTORY			
Deluxe Touring Cruiser	1508	PL-1500	KN-198
2001 VICTORY			
V92C	1508	PL-1500	KN-303
V92C Deluxe	1507	PL-1500	KN-303

* 2 filters required ♦ Intake System Available - see page 81 +Cabin Air Filter Available - see page 453 1- Pro Series Filter Available

AIR & OIL FILTERS

VICTORY

Vehicle	Engine Type	Air Filter	Oil Filter
2000 VICTORY			
V92C	1508	PL-1500	KN-303
V92SC	1507	PL-1500	KN-303
1999 VICTORY			
V92C	1508	PL-1598	KN-303
2016 VOLKSWAGEN			
Golf	2.0L L4 F/I	33-3005	
Tiguan	2.0L L4 F/I	33-2865 ♦	
2015 VOLKSWAGEN			
Amarok	2.0L L4 DSL	33-2983	
Beetle	1.2L L4 F/I	33-3004+	
Beetle	1.4L L4 F/I	33-3004+	
Beetle	2.0L L4 DSL - Non-US	33-3005+	
Beetle	2.0L L4 DSL - US	33-2865+	
Beetle	2.0L L4 F/I - US	33-2865	
Beetle	2.5L L5 F/I	33-2331	PS-7010
CC	2.0L L4 DSL	33-2865 ♦+	
CC	2.0L L4 F/I	33-2865+	PS-3004
		33-2865 ♦+	PS-3004
CC	3.6L V6 F/I	33-2384+	
Eos	2.0L L4 DSL	33-2865	
Eos	2.0L L4 F/I	33-2865	
Golf	1.8L L4 F/I	33-3005 ♦+	
Golf	2.0L L4 DSL	33-3005+	
Golf	2.0L L4 F/I	33-3005	PS-7010
Golf	2.5L L5 F/I		PS-7010
Golf Sportsvan	1.2L L4 F/I	33-3004+	
Golf Sportsvan	1.4L L4 F/I	33-3004+	
Golf Sportsvan	1.6L L4 DSL	33-3005+	
Golf Sportsvan	2.0L L4 DSL	33-3005+	
Golf VII	1.2L L4 F/I	33-3004+	
Golf VII	1.4L L4 F/I	33-3004+	
Golf VII	1.6L L4 DSL	33-3005+	
Golf VII	2.0L L4 DSL	33-3005+	
Golf VII	2.0L L4 F/I	33-3005+	
GTI	2.0L L4 F/I	33-3005 ♦+	
Jetta	1.8L L4 F/I	33-2865 ♦	
Jetta	2.0L L4 DSL	33-2865	
Jetta	2.0L L4 F/I	E-2014	HP-2005 ¹
Jetta	2.5L L5 F/I		PS-7010
Jetta GLI	2.0L L4 F/I	33-2865 ♦	HP-2005 ¹
Jetta Hybrid	1.4L L4 F/I	33-3004	PS-7010
Jetta V	1.2L L4 F/I	33-3004	
Jetta V	1.4L L4 F/I	33-3004	
Jetta V	2.0L L4 DSL	33-2865	
Passat	1.4L L4 F/I	33-3004+	
Passat	1.6L L4 DSL	33-3005+	
Passat	1.8L L4 F/I - US	33-2865 ♦	
Passat	2.0L L4 DSL - Non-US, 150/190BHP	33-3005+	
Passat	2.0L L4 DSL - US	33-2865+	
Passat	2.5L L5 F/I		PS-7010
Passat	3.6L V6 F/I	33-2384	
Polo	1.0L L3 F/I - Exc. Turbo	33-2994	
Polo	1.2L L4 F/I	33-3004	
Polo	1.4L L4 F/I	33-3004	
Tiguan	2.0L L4 DSL	33-2865 ♦	
Tiguan	2.0L L4 F/I	33-2865	PS-3004
		33-2865 ♦	PS-3004
Touareg	3.0L V6 DSL	33-2857	
Touareg	3.0L V6 F/I	33-2857	PS-7015
Touareg	3.6L V6 F/I	33-2857	
Touareg	4.2L V8 DSL	33-2857*	
Up	1.0L L3 F/I	33-2994	

Vehicle	Engine Type	Air Filter	Oil Filter
2014 VOLKSWAGEN			
Amarok	2.0L L4 DSL	33-2983	
Beetle	2.0L L4 DSL	33-2865+	PS-7031
Beetle	2.0L L4 F/I	33-2865+	
Beetle	2.5L L5 F/I	33-2331+	PS-7010
CC	2.0L L4 DSL	33-2865 ♦+	
CC	2.0L L4 F/I	33-2865 ♦+	PS-3004
		33-2865 ♦+	PS-3004
CC	3.6L V6 F/I	33-2384+	
Eos	2.0L L4 DSL	33-2865 ♦+	
Eos	2.0L L4 F/I	33-2865 ♦+	
Golf	2.0L L4 DSL		PS-7031
Golf	2.0L L4 DSL - US	33-2865+	PS-7031
Golf	2.5L L5 F/I	33-2331+	PS-7010
Golf Plus	1.4L L4 F/I - 80BHP	33-2920 ♦	
Golf Plus	1.6L L4 DSL	33-2865 ♦+	
Golf Plus	1.6L L4 F/I	E-2014+	
Golf Plus	2.0L L4 DSL	33-2865 ♦+	
Golf Sportsvan	1.2L L4 F/I	33-3004+	
Golf Sportsvan	1.4L L4 F/I	33-3004+	
Golf Sportsvan	1.6L L4 DSL	33-3005+	
Golf Sportsvan	2.0L L4 DSL	33-3005+	
Golf VII	1.2L L4 F/I	33-3004+	
Golf VII	1.4L L4 F/I	33-3004+	
Golf VII	1.6L L4 DSL	33-3005+	
Golf VII	2.0L L4 DSL	33-3005+	
Golf VII	2.0L L4 F/I	33-3005+	
GTI	2.0L L4 F/I	33-2865	PS-3004
Jetta	1.8L L4 F/I	33-2865 ♦+	
Jetta	2.0L L4 DSL	33-2865 ♦+	PS-7031
Jetta	2.0L L4 F/I	E-2014+	HP-2005 ¹
Jetta	2.5L L5 F/I	33-2331+	PS-7010
Jetta GLI	2.0L L4 F/I	33-2865 ♦+	
Jetta Hybrid	1.4L L4 F/I	33-3004+	HP-1002 ¹
Jetta V	1.2L L4 F/I	E-2014 ♦+	
Jetta V	1.4L L4 F/I - 122BHP	E-2014 ♦+	
Jetta V	1.4L L4 F/I - 160BHP	33-2865 ♦+	
Jetta V	1.6L L4 DSL	33-2865 ♦+	
Jetta V	2.0L L4 DSL	33-2865 ♦+	
Passat	1.4L L4 F/I - 122BHP	E-2014 ♦+	
Passat	1.4L L4 F/I - 150/160BHP	33-2865 ♦+	
Passat	1.6L L4 DSL	33-2865 ♦+	
Passat	1.8L L4 F/I	33-2865 ♦+	
Passat	2.0L L4 DSL	33-2865 ♦+	
Passat	2.0L L4 F/I	33-2865 ♦+	
Passat	2.5L L5 F/I	33-2331+	PS-7010
Passat	3.6L V6 F/I	33-2384+	
Polo	1.2L L3 DSL	E-2997	
Polo	1.2L L4 F/I - Exc. TSi	33-2830	
Polo	1.2L L4 F/I - TSi, 110BHP	33-3004	
Polo	1.2L L4 F/I - TSi, 90/105BHP	E-2997	
Polo	1.4L L4 F/I - Exc. TSi	33-2920	
Polo	1.4L L4 F/I - TSi	E-2997	
Polo	1.6L L4 DSL	E-2997	
Polo	1.6L L4 F/I	33-2920	
Polo GT	1.4L L4 F/I	33-3004	
Polo WRC	2.0L L4 F/I	33-3013	
Routan	3.6L V6 F/I		PS-7026
Tiguan	2.0L L4 DSL	33-2865 ♦+	
Tiguan	2.0L L4 F/I	33-2865 ♦+	PS-3004
		33-2865 ♦	PS-3004
Touareg	3.0L V6 DSL	33-2857	
Touareg	3.0L V6 F/I	33-2857	PS-7015

* 2 filters required ♦ Intake System Available - see page 81 +Cabin Air Filter Available - see page 453 1- Pro Series Filter Available

VOLKSWAGEN

AIR & OIL FILTERS

Vehicle	Engine Type	Air Filter	Oil Filter
---------	-------------	------------	------------

2014 VOLKSWAGEN

Touareg	3.6L V6 F/I	33-2857	PS-7015
Touareg	4.2L V8 DSL	33-2857*	
Up	1.0L L3 F/I	33-2994	

2013 VOLKSWAGEN

Amarok	2.0L L4 DSL	33-2983	
Amarok	2.0L L4 F/I	33-2983	
Beetle	2.0L L4 DSL	33-2865 ♦	PS-7031
Beetle	2.0L L4 F/I	33-2865+	PS-3004
		33-2865 ♦♦	PS-3004
Beetle	2.5L L5 F/I	33-2331+	PS-7010
Caddy IV	2.0L L4 DSL	33-2865 ♦♦	
Caddy IV	2.0L L4 F/I	E-2014 ♦♦	
CC	1.8L L4 F/I	33-2865 ♦♦	
CC	2.0L L4 DSL	33-2865 ♦♦	
CC	2.0L L4 F/I	33-2865 ♦♦	PS-3004
		33-2865 ♦♦	PS-3004
CC	3.6L V6 F/I	33-2384+	
Eos	2.0L L4 DSL	33-2865 ♦♦	
Eos	2.0L L4 F/I	33-2865 ♦♦	
Golf	2.0L L4 DSL		PS-7031
Golf	2.0L L4 DSL - US	33-2865+	PS-7031
Golf	2.0L L4 F/I	33-2888+	PS-7010
Golf	2.5L L5 F/I	33-2331+	PS-7010
Golf Plus	1.4L L4 F/I - 122BHP	E-2014 ♦	
Golf Plus	1.4L L4 F/I - 160BHP	33-2865 ♦	
Golf Plus	1.4L L4 F/I - 80BHP	33-2920 ♦	
Golf Plus	1.6L L4 DSL	33-2865 ♦♦	
Golf Plus	1.6L L4 F/I	33-2920+	
Golf Plus	2.0L L4 DSL	33-2865 ♦♦	
Golf Sportwagen	2.5L L5 F/I	33-2331	PS-7010
Golf VI	1.4L L4 F/I - 122BHP	E-2014 ♦♦	
Golf VI	1.4L L4 F/I - 160BHP	33-2865 ♦♦	
Golf VI	1.4L L4 F/I - 80BHP	33-2920 ♦♦	
Golf VI	1.6L L4 DSL	33-2865 ♦♦	
Golf VI	1.8L L4 F/I	33-2865 ♦♦	
Golf VI	2.0L L4 DSL	33-2865 ♦♦	
Golf VI	2.0L L4 F/I - 211BHP	33-2865 ♦♦	
Golf VI	2.0L L4 F/I - 235/270BHP	33-2888 ♦♦	
Golf VII	1.2L L4 F/I	33-3004+	
Golf VII	1.4L L4 F/I	33-3004+	
Golf VII	1.6L L4 DSL	33-3005 ♦♦	
Golf VII	2.0L L4 DSL	33-3005 ♦♦	
Golf VII	2.0L L4 F/I	33-3005 ♦♦	
GTI	2.0L L4 F/I	33-2865	PS-3004
		33-2865 ♦	PS-3004
Jetta	2.0L L4 DSL	33-2865 ♦♦	PS-7031
Jetta	2.0L L4 F/I	E-2014+	HP-2005 ¹
Jetta	2.5L L5 F/I	33-2331+	PS-7010
Jetta GLi	2.0L L4 F/I	33-2865 ♦♦	PS-3004
Jetta Hybrid	1.4L L4 F/I	33-3004+	HP-1002 ¹
Jetta V	1.2L L4 F/I	E-2014 ♦♦	
Jetta V	1.4L L4 F/I - 122BHP	E-2014 ♦♦	
Jetta V	1.4L L4 F/I - 160BHP	33-2865 ♦♦	
Jetta V	1.6L L4 DSL	33-2865 ♦♦	
Jetta V	2.0L L4 DSL	33-2865 ♦♦	
Jetta V	2.0L L4 F/I	33-2865 ♦♦	
Passat	1.4L L4 F/I - 122BHP	E-2014 ♦♦	
Passat	1.4L L4 F/I - 150/160BHP	33-2865 ♦♦	
Passat	1.6L L4 DSL	33-2865 ♦♦	
Passat	1.8L L4 F/I	33-2865 ♦	
Passat	2.0L L4 DSL	33-2865 ♦♦	
Passat	2.0L L4 F/I	33-2865 ♦♦	

2013 VOLKSWAGEN

Passat	2.5L L5 F/I	33-2331+	PS-7010
Passat	3.6L V6 F/I	33-2384+	
Polo	1.2L L3 DSL	E-2997 ♦	
Polo	1.2L L4 F/I - Exc. TSi	33-2830 ♦	
Polo	1.2L L4 F/I - TSi	E-2997 ♦	
Polo	1.6L L4 DSL	E-2997 ♦	
Polo	1.6L L4 F/I	33-2920	
Polo GT	1.4L L4 F/I	33-3004	
Polo WRC	2.0L L4 F/I	33-3013	
Routan	3.6L V6 F/I	33-2462	
Scirocco	2.0L L4 DSL	33-2865 ♦♦	
Scirocco	2.0L L4 F/I - 211BHP	33-2865 ♦♦	
Scirocco	2.0L L4 F/I - 265BHP	33-2888 ♦♦	
Tiguan	2.0L L4 DSL	33-2865 ♦♦	
Tiguan	2.0L L4 F/I	33-2865 ♦	PS-3004
		33-2865 ♦♦	PS-3004
Touareg	3.0L V6 DSL	33-2857	
Touareg	3.0L V6 F/I	33-2857	PS-7015
Touareg	3.6L V6 F/I	33-2857	
Touareg	4.2L V8 DSL	33-2857*	
Transporter T5	2.0L L4 DSL	33-2867	
Transporter T5	2.0L L4 F/I	33-2867	
Up	1.0L L3 F/I	33-2994	

2012 VOLKSWAGEN

Amarok	2.0L L4 DSL	33-2983	
Amarok	2.0L L4 F/I	33-2983	
Beetle	2.0L L4 F/I	33-2865+	PS-3004
		33-2865 ♦♦	PS-3004
Beetle	2.5L L5 F/I	33-2331+	PS-7010
CC	2.0L L4 DSL	33-2865 ♦♦	
CC	2.0L L4 F/I	33-2865 ♦♦	PS-3004
CC	3.6L V6 F/I	33-2384+	PS-7031
CrossFox	1.6L L4 F/I		HP-1002 ¹
Eos	2.0L L4 DSL	33-2865 ♦♦	
Eos	2.0L L4 F/I	33-2865 ♦♦	PS-3004
Golf	2.0L L4 DSL		PS-7031
Golf	2.0L L4 DSL - US	33-2865+	PS-7031
Golf	2.0L L4 F/I	33-2888+	
Golf	2.5L L5 F/I	33-2331+	PS-7010
Golf Plus	1.4L L4 F/I - 80BHP	33-2920 ♦	
Golf Plus	1.6L L4 DSL	33-2865 ♦♦	
Golf Plus	1.6L L4 F/I	33-2920+	
Golf Plus	2.0L L4 DSL	33-2865 ♦♦	
Golf VI	1.4L L4 F/I - 122BHP	E-2014 ♦♦	
Golf VI	1.4L L4 F/I - 160BHP	33-2865 ♦♦	
Golf VI	1.4L L4 F/I - 80BHP	33-2920 ♦♦	
Golf VI	1.6L L4 DSL	33-2865 ♦♦	
Golf VI	1.8L L4 F/I	33-2865 ♦♦	
Golf VI	2.0L L4 DSL	33-2865 ♦♦	
Golf VI	2.0L L4 F/I - 211BHP	33-2865 ♦♦	
Golf VI	2.0L L4 F/I - 235/270BHP	33-2888 ♦♦	
Golf VII	1.2L L4 F/I	33-3004+	
Golf VII	1.4L L4 F/I	33-3004+	
Golf VII	1.6L L4 DSL	33-3005 ♦♦	
Golf VII	2.0L L4 DSL	33-3005 ♦♦	
Golf VII	2.0L L4 F/I	33-3005 ♦♦	
GTI	2.0L L4 F/I	33-2865	PS-3004
		33-2865 ♦	PS-3004
Jetta	2.0L L4 DSL	33-2865+	PS-7031
Jetta	2.0L L4 F/I	E-2014+	HP-2005 ¹
Jetta	2.5L L5 F/I	33-2331+	PS-7010
Jetta GLi	2.0L L4 F/I	33-2865 ♦♦	PS-3004
Jetta V	1.4L L4 F/I	33-3004+	HP-1002 ¹
Jetta V	1.2L L4 F/I	E-2014 ♦♦	
Jetta V	1.4L L4 F/I - 122BHP	E-2014 ♦♦	
Jetta V	1.4L L4 F/I - 160BHP	33-2865 ♦♦	
Jetta V	1.6L L4 DSL	33-2865 ♦♦	
Jetta V	2.0L L4 DSL	33-2865 ♦♦	
Jetta V	2.0L L4 F/I	33-2865 ♦♦	
Passat	1.4L L4 F/I - 122BHP	E-2014 ♦♦	
Passat	1.4L L4 F/I - 150/160BHP	33-2865 ♦♦	
Passat	1.6L L4 DSL	33-2865 ♦♦	
Passat	1.8L L4 F/I	33-2865 ♦	
Passat	2.0L L4 DSL	33-2865 ♦♦	
Passat	2.0L L4 F/I	33-2865 ♦♦	
Jetta	2.0L L4 DSL	33-2865+	PS-7031
Jetta	2.0L L4 F/I	E-2014+	HP-2005 ¹
Jetta	2.5L L5 F/I	33-2331+	PS-7010
Jetta GLi	2.0L L4 F/I	33-2865 ♦♦	PS-3004
Jetta V	1.2L L4 F/I	E-2014 ♦♦	
Jetta V	1.4L L4 F/I - 122BHP	E-2014 ♦♦	

* 2 filters required ♦ Intake System Available - see page 81 +Cabin Air Filter Available - see page 453 1- Pro Series Filter Available

AIR & OIL FILTERS

VOLKSWAGEN

Vehicle	Engine Type	Air Filter	Oil Filter	Vehicle	Engine Type	Air Filter	Oil Filter
2012 VOLKSWAGEN				2011 VOLKSWAGEN			
Jetta V	1.4L L4 F/I - 160BHP	33-2865 ♦♦		Jetta	2.5L L5 F/I	33-2331+	PS-7010
Jetta V	1.6L L4 DSL	33-2865 ♦♦		Jetta V	1.2L L4 F/I	E-2014 ♦♦	
Jetta V	2.0L L4 DSL	33-2865 ♦♦		Jetta V	1.4L L4 F/I - 122BHP	E-2014 ♦♦	
Jetta V	2.0L L4 F/I	33-2865 ♦♦	HP-2005 ¹	Jetta V	1.4L L4 F/I - 160BHP	33-2865 ♦♦	
Passat	1.4L L4 F/I - 122BHP	E-2014 ♦♦		Jetta V	1.6L L4 DSL	33-2865 ♦♦	
Passat	1.4L L4 F/I - 150BHP	33-2865 ♦♦		Jetta V	1.6L L4 F/I	E-2014 ♦♦	
Passat	1.6L L4 DSL	33-2865 ♦♦		Jetta V	2.0L L4 DSL	33-2865 ♦♦	
Passat	1.8L L4 F/I	33-2865 ♦		Jetta V	2.0L L4 F/I		PS-3004
Passat	2.0L L4 DSL	33-2865 ♦♦		Jetta V	2.0L L4 F/I - TFSi	33-2888 ♦♦	PS-3004
Passat	2.0L L4 F/I	33-2865 ♦♦		Jetta V	2.0L L4 F/I - TSi	33-2865 ♦♦	PS-3004
Passat	2.5L L5 F/I	33-2331+	PS-7010	Passat	2.0L L4 DSL	33-2865 ♦	
Passat	3.6L V6 F/I	33-2384+		Passat	2.0L L4 F/I	33-2865 ♦	PS-3004
Passat CC	1.8L L4 F/I	33-2865 ♦		Passat CC	2.0L L4 DSL	33-2865 ♦	
Passat CC	2.0L L4 DSL	33-2865 ♦♦		Polo	1.2L L3 DSL	E-2997 ♦	
Passat CC	3.6L V6 F/I	33-2384+		Polo	1.2L L4 F/I - Exc., TSi	33-2830 ♦	
Polo	1.2L L3 DSL	E-2997 ♦		Polo	1.2L L4 F/I - TSi	E-2997 ♦	
Polo	1.2L L4 F/I - Exc., TSi	33-2830 ♦		Polo	1.4L L4 F/I - Exc., TSi	33-2920 ♦	
Polo	1.2L L4 F/I - TSi	E-2997 ♦		Polo	1.4L L4 F/I - TSi	E-2997 ♦	
Polo	1.4L L4 F/I - Exc. TSi	33-2920 ♦		Polo	1.6L L4 DSL	E-2997 ♦	
Polo	1.4L L4 F/I - TSi, Exc. GTi	E-2997 ♦		Polo	1.6L L4 F/I	33-2920	
Polo	1.6L L4 DSL	E-2997 ♦		Routan	3.6L V6 F/I	33-2462	PS-7025
Polo	1.6L L4 F/I	33-2920		Scirocco	2.0L L4 DSL	33-2865 ♦♦	
Polo GT	1.4L L4 F/I	33-3004		Scirocco	2.0L L4 F/I	33-2865 ♦♦	
Routan	3.6L V6 F/I	33-2462	PS-7025	Tiguan	2.0L L4 DSL	33-2865 ♦♦	
Scirocco	2.0L L4 DSL	33-2865 ♦♦		Tiguan	2.0L L4 F/I	33-2865 ♦♦	PS-3004
Scirocco	2.0L L4 F/I - 211BHP	33-2865 ♦♦				33-2865 ♦	PS-3004
Scirocco	2.0L L4 F/I - 265BHP	33-2888 ♦♦		Touareg	3.0L V6 DSL	33-2857	
Tiguan	2.0L L4 DSL	33-2865 ♦♦		Touareg	3.0L V6 F/I	33-2857	PS-7015
Tiguan	2.0L L4 F/I	33-2865 ♦♦	PS-3004	Touareg	3.6L V6 F/I	33-2857	
		33-2865 ♦	PS-3004	2010 VOLKSWAGEN			
Touareg	3.0L V6 DSL	33-2857		Amarok	2.0L L4 DSL	33-2983	
Touareg	3.0L V6 F/I	33-2857	PS-7015	Amarok	2.0L L4 F/I	33-2983	
Touareg	3.6L V6 F/I	33-2857		Beetle	2.0L L4 F/I	33-2128	
Touareg	4.2L V8 DSL	33-2857*		Beetle	2.5L L5 F/I	33-2128+	PS-7010
Up	1.0L L3 F/I	33-2994		Beetle Cabrio	2.5L L5 F/I	33-2128+	PS-7010
2011 VOLKSWAGEN				Bora	2.5L L5 F/I		PS-7010
Amarok	2.0L L4 DSL	33-2983		CC	2.0L L4 F/I	33-2865 ♦♦	PS-3004
Amarok	2.0L L4 F/I	33-2983		CC	3.6L V6 F/I	33-2384+	PS-7031
Caddy IV	1.6L L4 DSL	33-2865 ♦♦		Eos	2.0L L4 DSL	33-2865 ♦♦	
Caddy IV	1.6L L4 F/I	E-2014 ♦♦		Eos	2.0L L4 F/I	33-2865 ♦♦	PS-3004
CC	2.0L L4 F/I	33-2865 ♦♦	PS-3004	GLi	2.0L L4 F/I	33-2865	
CC	3.6L V6 F/I	33-2384+		Gol Sedan	1.6L L4 F/I - OEM 5Z0129620	33-2830	
Golf	2.0L L4 DSL		PS-7031	Golf	2.0L L4 DSL		PS-7031
Golf	2.0L L4 DSL - US	33-2865+	PS-7031	Golf	2.0L L4 DSL - US	33-2865+	PS-7031
Golf	2.5L L5 F/I	33-2331+	PS-7010	Golf	2.5L L5 F/I	33-2331+	PS-7010
Golf Plus	1.2L L4 F/I	E-2014 ♦♦		Golf Plus	1.4L L4 F/I - 80BHP	33-2920 ♦	
Golf Plus	1.4L L4 F/I - 80BHP	33-2920 ♦		Golf Plus	2.0L L4 DSL	33-2865 ♦♦	
Golf Plus	1.6L L4 F/I	33-2920+		Golf VI	1.4L L4 F/I - 160BHP	33-2865 ♦♦	
Golf Plus	2.0L L4 DSL	33-2865 ♦♦		Golf VI	1.4L L4 F/I - 80BHP	33-2920 ♦♦	
Golf VI	1.2L L4 F/I	E-2014 ♦♦		Golf VI	1.8L L4 F/I	33-2865 ♦♦	
Golf VI	1.4L L4 F/I - 80BHP	33-2920 ♦♦		Golf VI	2.0L L4 DSL	33-2865 ♦♦	
Golf VI	1.6L L4 DSL	33-2865 ♦♦		Golf VI	2.0L L4 F/I - 270BHP	33-2888 ♦♦	
Golf VI	1.8L L4 F/I	33-2865 ♦♦		Golf VI	2.0L L4 F/I - Exc. 270BHP	33-2865 ♦♦	
Golf VI	2.0L L4 DSL	33-2865 ♦♦		Golf VI	2.5L L5 F/I	33-2331+	
Golf VI	2.0L L4 F/I - 211BHP	33-2865 ♦♦		Golf VI	2.0L L4 F/I	33-2865	PS-3004
Golf VI	2.0L L4 F/I - 235/270BHP	33-2888 ♦♦				33-2865 ♦	PS-3004
Golf VI	2.5L L5 F/I	33-2331+		Jetta	2.0L L4 DSL	33-2865+	PS-7031
GTI	2.0L L4 F/I	33-2865	PS-3004	Jetta	2.0L L4 F/I	33-2865+	PS-3004
		33-2865 ♦	PS-3004	Jetta	2.5L L5 F/I	33-2331+	PS-7010
Jetta	2.0L L4 DSL	33-2865+	PS-7031	Jetta GLi	2.0L L4 F/I	33-2865 ♦♦	PS-3004
Jetta	2.0L L4 F/I		PS-3004	Jetta V	1.4L L4 F/I - 122BHP	E-2014 ♦♦	
Jetta	2.0L L4 F/I - US	E-2014+	PS-3004	Jetta V	1.4L L4 F/I - 140/160/170BHP	33-2865 ♦♦	

* 2 filters required ♦ Intake System Available - see page 81 +Cabin Air Filter Available - see page 453 1- Pro Series Filter Available

VOLKSWAGEN

AIR & OIL FILTERS

Vehicle	Engine Type	Air Filter	Oil Filter
2010 VOLKSWAGEN			
Jetta V	1.6L L4 DSL	33-2865 ♦+	
Jetta V	1.6L L4 F/I	E-2014+	
Jetta V	2.0L L4 DSL	33-2865 ♦+	
Jetta V	2.0L L4 F/I - TFSi	33-2888 ♦+	
Jetta V	2.0L L4 F/I - TSi	33-2865 ♦+	
Jetta V	2.5L L5 F/I	33-2331+	
Passat	1.8L L4 F/I	33-2865 ♦+	
Passat	2.0L L4 DSL	33-2865 ♦+	
Passat	2.0L L4 F/I	33-2865 ♦+	PS-3004
Passat CC	1.8L L4 F/I	33-2865 ♦+	
Passat CC	2.0L L4 DSL	33-2865 ♦+	
Passat CC	2.0L L4 F/I	33-2865+	
Passat CC	3.6L V6 F/I	33-2384+	PS-7031
Polo	1.2L L3 DSL	E-2997 ♦	
Polo	1.2L L4 F/I - Exc., TSi	33-2830 ♦	
Polo	1.2L L4 F/I - TSi	E-2997 ♦	
Polo	1.4L L4 F/I - Exc., TSi	33-2920 ♦	
Polo	1.4L L4 F/I - TSi	E-2997 ♦	
Polo	1.6L L4 DSL	E-2997 ♦	
Routan	3.8L V6 F/I	33-2419	HP-1002 ¹
Routan	4.0L V6 F/I	33-2419	
Scirocco	1.4L L4 F/I - 122BHP	E-2014 ♦+	
Scirocco	1.4L L4 F/I - 160BHP	33-2865 ♦+	
Scirocco	2.0L L4 DSL	33-2865 ♦+	
Tiguan	2.0L L4 DSL	33-2865 ♦+	
Tiguan	2.0L L4 F/I	33-2865 ♦+	PS-3004
Touareg	3.0L V6 DSL	33-2857	PS-3004
Touareg	3.6L V6 F/I	33-2857	PS-7005
Touareg	4.2L V8 DSL	33-2857*	
Touareg	4.2L V8 F/I	33-2857*	

Vehicle	Engine Type	Air Filter	Oil Filter
2009 VOLKSWAGEN			
Beetle	2.5L L5 F/I	33-2128+	PS-7010
CC	2.0L L4 F/I	33-2865 ♦+	PS-3004
CC	3.6L V6 F/I	33-2384+	PS-7031
Eos	2.0L L4 DSL	33-2865 ♦+	
Eos	2.0L L4 F/I	33-2865 ♦+	PS-3004
Eos	2.0L L4 F/I - 150BHP	E-2014 ♦+	PS-3004
Eos	2.0L L4 F/I - 200BHP	33-2888 ♦+	PS-3004
Golf City	2.0L L4 F/I		HP-2005 ¹
Golf V	2.0L L4 DSL	33-2865 ♦+	
Golf V	2.0L L4 F/I - 150BHP	E-2014+	
Golf V	2.0L L4 F/I - 200BHP	33-2888+	
Golf V GTI	2.0L L4 F/I	33-2888	
Golf VI	1.4L L4 F/I - 160BHP	33-2865 ♦+	
Golf VI	1.4L L4 F/I - 80BHP	33-2920 ♦+	
Golf VI	2.0L L4 DSL	33-2865 ♦+	
Golf VI	2.0L L4 F/I - 211BHP	33-2865 ♦+	
Golf VI	2.0L L4 F/I - 270BHP	33-2888 ♦+	
Golf VI	2.5L L5 F/I	33-2331+	
GTI	2.0L L4 F/I	33-2865+	PS-3004
		33-2865 ♦+	PS-3004
Jetta	2.0L L4 DSL	33-2865+	PS-7031
Jetta	2.0L L4 F/I	33-2865+	PS-3004
Jetta	2.5L L5 F/I	33-2331+	PS-7010
Jetta City	2.0L L4 F/I	33-2128+	
Jetta GLi	2.0L L4 F/I	33-2865 ♦+	PS-3004
Jetta V	1.4L L4 F/I	33-2865 ♦+	
Jetta V	1.9L L4 DSL	33-2865 ♦+	
Jetta V	2.0L L4 DSL	33-2865 ♦+	
Jetta V	2.0L L4 F/I - 200BHP	33-2888 ♦+	
Jetta V	2.0L L4 F/I - Exc., 200BHP	E-2014 ♦+	
Jetta V	2.5L L5 F/I	33-2331+	PS-7010

Vehicle	Engine Type	Air Filter	Oil Filter
2009 VOLKSWAGEN			
Passat	2.0L L4 DSL	33-2865 ♦+	
Passat	2.0L L4 F/I	33-2865 ♦+	
Passat	2.0L L4 F/I - 150BHP	E-2014 ♦+	
Passat	2.0L L4 F/I - 200BHP	33-2888 ♦+	
Passat	2.0L L4 F/I - CCTA Eng.	33-2865	PS-3004
Passat CC	2.0L L4 DSL	33-2865 ♦+	
Passat CC	2.0L L4 F/I	33-2865 ♦+	PS-7010
Passat CC	3.6L V6 F/I	33-2384+	
Rabbit	2.5L L5 F/I	33-2331+	PS-7010
Routan	3.8L V6 F/I	33-2419	HP-1002 ¹
Routan	4.0L V6 F/I	33-2419	HP-1017 ¹
Tiguan	2.0L L4 DSL	33-2865 ♦+	
Tiguan	2.0L L4 F/I		PS-3004
Tiguan	2.0L L4 F/I - Turbo	33-2865 ♦+	PS-3004
Touareg	3.0L V6 DSL	33-2857	
Touareg	3.6L V6 F/I	33-2857	
Touareg	3.6L V6 F/I - BHK Eng.	33-2857	PS-7005

Vehicle	Engine Type	Air Filter	Oil Filter
2008 VOLKSWAGEN			
Beetle	2.5L L5 F/I	33-2128+	PS-7010
Bora	2.5L L5 F/I		PS-7010
Eos	2.0L L4 DSL	33-2865 ♦+	
Eos	2.0L L4 F/I	33-2888+	PS-7010
Eos	2.0L L4 F/I - 150BHP	E-2014 ♦+	PS-7010
Eos	2.0L L4 F/I - 200BHP	33-2888 ♦+	PS-7010
Eos	3.2L V6 F/I - US	33-2384 ♦+	
Golf City	2.0L L4 F/I	33-2128+	HP-2005 ¹
Golf V	1.4L L4 F/I - 80BHP	33-2920 ♦+	
Golf V	1.6L L4 F/I - 101BHP	33-2920 ♦+	
Golf V	1.9L L4 DSL	33-2865 ♦+	
Golf V	2.0L L4 DSL	33-2865 ♦+	
Golf V	2.0L L4 F/I		PS-7010
Golf V	2.0L L4 F/I - 150BHP	E-2014 ♦+	PS-7010
Golf V	2.0L L4 F/I - 200BHP	33-2888 ♦+	PS-7010
Golf V	3.2L V6 F/I	33-2384 ♦+	
Golf V GTI	2.0L L4 F/I	33-2888 ♦	PS-7010
Golf VI	1.4L L4 F/I - 80BHP	33-2920 ♦+	
Golf VI	2.0L L4 DSL	33-2865 ♦+	
Golf VI	2.0L L4 F/I - 211BHP	33-2865 ♦	
GTI	2.0L L4 F/I	33-2888 ♦+	PS-3004
Jetta	2.0L L4 F/I	33-2865+	PS-3004
Jetta	2.5L L5 F/I	33-2331+	PS-7010
Jetta City	2.0L L4 F/I	33-2128+	HP-2005 ¹
Jetta GLi	2.0L L4 F/I	33-2888+	PS-3004
Jetta V	1.4L L4 F/I	33-2865 ♦+	
Jetta V	1.9L L4 DSL	33-2865 ♦+	
Jetta V	2.0L L4 DSL	33-2865 ♦+	PS-7031
Jetta V	2.0L L4 F/I		PS-7010
Jetta V	2.0L L4 F/I - 200BHP	33-2888 ♦+	PS-7010
Jetta V	2.0L L4 F/I - Exc., 200BHP	E-2014 ♦+	PS-7010
Jetta V	2.5L L5 F/I	33-2331+	PS-7010
Passat	1.8L L4 F/I	33-2865 ♦+	
Passat	2.0L L4 DSL	33-2865 ♦+	
Passat	2.0L L4 F/I - 150BHP	E-2014 ♦+	
Passat	2.0L L4 F/I - 200BHP	33-2888 ♦+	
Passat	2.0L L4 F/I - BPY Eng.	33-2888+	
Passat	2.0L L4 F/I - CCTA Eng.	33-2865+	PS-3004
Passat	3.6L V6 F/I		PS-7031
Passat	3.6L V6 F/I - Non-US	33-2384+	PS-7031
Passat	3.6L V6 F/I - US	33-2384+	PS-7031
Passat CC	1.8L L4 F/I	33-2865 ♦+	
Passat CC	2.0L L4 DSL	33-2865 ♦+	
Passat CC	2.0L L4 F/I	33-2865 ♦+	

* 2 filters required ♦ Intake System Available - see page 81 +Cabin Air Filter Available - see page 453 1- Pro Series Filter Available

AIR & OIL FILTERS

VOLKSWAGEN

Vehicle	Engine Type	Air Filter	Oil Filter
2008 VOLKSWAGEN			
Passat CC	3.6L V6 F/I	33-2384	
R32	3.2L V6 F/I	33-2384+	PS-7031
Rabbit	2.5L L5 F/I	33-2331+	PS-7010
Tiguan	2.0L L4 DSL	33-2865♦♦	
Tiguan	2.0L L4 F/I	33-2865♦♦	
Touareg	3.0L V6 DSL	33-2857	
Touareg	3.6L V6 F/I	33-2857	
Touareg	3.6L V6 F/I - BHK Eng.	33-2857	PS-7005
Touareg	4.2L V8 F/I	33-2857*	
Touareg	5.0L V10 DSL	33-2857*	

Vehicle	Engine Type	Air Filter	Oil Filter
2007 VOLKSWAGEN			
Beetle	2.5L L5 F/I	33-2128+	PS-7010
Eos	2.0L L4 DSL	33-2865♦♦	
Eos	2.0L L4 F/I	33-2888+	PS-7010
Eos	2.0L L4 F/I - 150BHP	E-2014♦♦	PS-7010
Eos	2.0L L4 F/I - 200BHP	33-2888♦♦	PS-7010
GLi	2.0L L4 F/I		PS-7010
Golf	2.0L L4 F/I		HP-2005 ¹
Golf City	2.0L L4 F/I	33-2128+	HP-2005 ¹
Golf Plus	2.0L L4 DSL	33-2865♦♦	
Golf Plus	2.0L L4 F/I	E-2014♦♦	PS-7010
Golf V	1.6L L4 F/I - 101BHP	33-2920♦♦	
Golf V	2.0L L4 DSL - 75BHP	E-2014♦♦	
Golf V	2.0L L4 DSL - Exc., 75BHP	33-2865♦♦	
Golf V	2.0L L4 F/I		PS-7010
Golf V	2.0L L4 F/I - 150BHP	E-2014♦♦	PS-7010
Golf V	2.0L L4 F/I - 200BHP	33-2888♦♦	PS-7010
Golf V GTI	2.0L L4 F/I	33-2888♦	PS-7010
GTI	2.0L L4 F/I	33-2888♦♦	PS-7010
Jetta	2.0L L4 F/I	33-2888+	PS-7010
Jetta	2.5L L5 F/I	33-2331+	PS-7010
Jetta City	2.0L L4 F/I	33-2128+	HP-2005 ¹
Jetta GLi	2.0L L4 F/I	33-2888♦♦	PS-7010
Jetta V	1.9L L4 DSL	33-2865♦♦	
Jetta V	2.0L L4 DSL	33-2865♦♦	
Jetta V	2.0L L4 F/I		PS-7010
Jetta V	2.0L L4 F/I - 200BHP	33-2888♦♦	PS-7010
Jetta V	2.0L L4 F/I - Exc., 200BHP	E-2014♦♦	PS-7010
Jetta V	2.5L L5 F/I	33-2331+	PS-7010
Passat	2.0L L4 DSL	33-2865♦♦	
Passat	2.0L L4 F/I	33-2888+	PS-7010
Passat	2.0L L4 F/I - 150BHP	E-2014♦♦	PS-7010
Passat	2.0L L4 F/I - 200BHP	33-2888♦♦	PS-7010
Passat	3.6L V6 F/I		PS-7031
Passat	3.6L V6 F/I - Non-US	33-2384+	PS-7031
Passat	3.6L V6 F/I - US	33-2384+	PS-7031
Rabbit	2.5L L5 F/I	33-2331+	PS-7010
Touareg	3.6L V6 F/I	33-2857	PS-7005
Touareg	4.2L V8 F/I	33-2857*	
Touareg	5.0L V10 DSL	33-2857*	

Vehicle	Engine Type	Air Filter	Oil Filter
2006 VOLKSWAGEN			
Beetle	1.9L L4 DSL	33-2128+	
Beetle	2.0L L4 F/I	33-2128♦	
Beetle	2.5L L5 F/I	33-2128+	PS-7010
Golf	1.9L L4 DSL - US	33-2128+	
Golf	2.0L L4 F/I	33-2128+	HP-2005 ¹
Golf GTI	1.8L L4 F/I	33-2128+	HP-2005 ¹
Golf Plus	1.9L L4 DSL	33-2865♦♦	
Golf Plus	2.0L L4 DSL	33-2865♦♦	
Golf Plus	2.0L L4 F/I	E-2014♦♦	PS-7010
Golf V	1.4L L4 F/I - 75BHP	33-2221♦♦	
Golf V	1.4L L4 F/I - 80BHP	33-2920♦♦	

Vehicle	Engine Type	Air Filter	Oil Filter
2006 VOLKSWAGEN			
Golf V	1.6L L4 F/I - 101BHP	33-2920♦♦	
Golf V	1.9L L4 DSL	33-2865♦♦	
Golf V	2.0L L4 DSL - 75BHP	E-2014♦♦	
Golf V	2.0L L4 DSL - Exc., 75BHP	33-2865♦♦	
Golf V	2.0L L4 F/I		PS-7010
Golf V	2.0L L4 F/I - 150BHP	E-2014♦♦	PS-7010
Golf V	2.0L L4 F/I - 200BHP	33-2888♦♦	PS-7010
Golf V GTI	2.0L L4 F/I		PS-7010
Golf V GTI	2.0L L4 F/I - Turbo	33-2888♦	PS-7010
GTI	2.0L L4 F/I	33-2888♦♦	PS-7010
Jetta	1.9L L4 DSL	33-2865+	PS-7031
Jetta	2.0L L4 F/I	33-2888+	PS-7010
Jetta	2.5L L5 F/I	33-2331+	PS-7010
Jetta City	2.0L L4 F/I		HP-2005 ¹
Jetta GLi	2.0L L4 F/I	33-2888♦♦	PS-7010
Jetta V	1.4L L4 F/I	33-2865♦♦	
Jetta V	1.6L L4 F/I - 102BHP	E-2014♦♦	
Jetta V	1.6L L4 F/I - 115BHP	33-2869♦♦	
Jetta V	1.6L L4 F/I - China, Engine Code ACR, ANL	33-2851♦♦	
Jetta V	1.9L L4 DSL	33-2865♦♦	
Jetta V	2.0L L4 DSL	33-2865♦♦	
Jetta V	2.0L L4 F/I		PS-7010
Jetta V	2.0L L4 F/I - 200BHP	33-2888♦♦	PS-7010
Jetta V	2.0L L4 F/I - Exc., 200BHP	E-2014♦♦	PS-7010
Jetta V	2.5L L5 F/I	33-2331+	PS-7010
Passat	1.9L L4 DSL	33-2865♦♦	
Passat	2.0L L4 DSL	33-2865♦♦	
Passat	2.0L L4 F/I	33-2888+	PS-7010
Passat	2.0L L4 F/I - 150BHP	E-2014♦♦	PS-7010
Passat	2.0L L4 F/I - 200BHP	33-2888♦♦	PS-7010
Passat	3.2L V6 F/I	33-2384	
Passat	3.6L V6 F/I		PS-7031
Passat	3.6L V6 F/I - Non-US	33-2384+	PS-7031
Polo	1.4L L3 DSL	33-2830♦	
Polo	1.4L L4 F/I - 75/101BHP	33-2221♦	
Polo	1.4L L4 F/I - 80BHP	33-2920♦	
Polo	1.4L L4 F/I - FSi	33-2850♦	
Rabbit	2.5L L5 F/I		PS-7010
Touareg	3.2L V6 F/I	33-2857	
Touareg	3.6L V6 F/I	33-2857	
Touareg	4.2L V8 F/I	33-2857*	
Touareg	4.2L V8 F/I - AXQ Eng.	33-2857*	PS-7005
Touareg	5.0L V10 DSL	33-2857*	

Vehicle	Engine Type	Air Filter	Oil Filter
2005 VOLKSWAGEN			
Beetle	1.8L L4 F/I	33-2128♦♦	HP-2005 ¹
Beetle	1.9L L4 DSL	33-2128+	
Beetle	2.0L L4 F/I	33-2128♦♦	HP-2005 ¹
Beetle	2.5L L5 F/I	33-2128	
Fox	1.4L L3 DSL	33-2830♦	
Fox	1.4L L4 F/I	33-2774♦	
Golf	1.9L L4 DSL - US	33-2128+	
Golf	2.0L L4 F/I	33-2128♦♦	HP-2005 ¹
Golf GTI	1.8L L4 F/I	33-2128♦♦	HP-2005 ¹
Golf IV	1.8L L4 F/I	33-2128	
Golf IV GTI	1.8L L4 F/I	33-2128	
Golf Plus	1.9L L4 DSL	33-2865♦♦	
Golf Plus	2.0L L4 DSL	33-2865♦♦	
Golf Plus	2.0L L4 F/I	E-2014♦♦	PS-7010
Golf V	1.6L L4 F/I - 102BHP	E-2014♦♦	
Golf V	1.6L L4 F/I - 115BHP	33-2869♦♦	
Golf V	1.9L L4 DSL	33-2865♦♦	

* 2 filters required ♦ Intake System Available - see page 81 +Cabin Air Filter Available - see page 453 1- Pro Series Filter Available

VOLKSWAGEN

AIR & OIL FILTERS

Vehicle	Engine Type	Air Filter	Oil Filter
2005 VOLKSWAGEN			
Golf V	2.0L L4 DSL - 75BHP	E-2014 ♦+	
Golf V	2.0L L4 DSL - Exc., 75BHP	33-2865 ♦+	
Golf V	2.0L L4 F/I		PS-7010
Golf V	2.0L L4 F/I - 150BHP	E-2014 ♦+	PS-7010
Golf V	2.0L L4 F/I - 200BHP	33-2888 ♦+	PS-7010
Golf V GTI	2.0L L4 F/I	33-2888 ♦	PS-7010
Jetta	1.8L L4 F/I	33-2128+	HP-2005 ¹
Jetta	1.9L L4 DSL		PS-7031
Jetta	1.9L L4 DSL - BEW Eng.	33-2128+	PS-7031
Jetta	1.9L L4 DSL - BRM Eng.	33-2865+	PS-7031
Jetta	2.0L L4 F/I	33-2128+	HP-2005 ¹
Jetta	2.5L L5 F/I		PS-7010
Jetta	2.5L L5 F/I - Body Code K	33-2331+	PS-7010
Jetta V	1.9L L4 DSL	33-2865 ♦+	
Jetta V	2.0L L4 DSL	33-2865 ♦+	
Jetta V	2.0L L4 F/I		PS-7010
Jetta V	2.0L L4 F/I - 200BHP	33-2888 ♦+	PS-7010
Jetta V	2.0L L4 F/I - Exc., 200BHP	E-2014 ♦+	PS-7010
Passat	1.8L L4 F/I	33-2125+	HP-3001 ¹
Passat	1.9L L4 DSL - 3B Model	33-2125 ♦+	
Passat	1.9L L4 DSL - 3C Model	33-2865 ♦+	
Passat	2.0L L4 DSL - 3B Model	33-2125 ♦+	
Passat	2.0L L4 DSL - 3C Model	33-2865 ♦+	
Passat	2.0L L4 F/I - 150BHP, 3C Model	E-2014 ♦	
Passat	2.0L L4 F/I - 200BHP, 3C Model	33-2888 ♦	
Passat	2.0L L4 F/I - 3B Model	33-2125 ♦	
Passat	2.0L L4 F/I - 3C Model		PS-7010
Passat	2.8L V6 F/I	33-2125+	HP-2004 ¹
Passat	3.2L V6 F/I	33-2384	
Touareg	3.2L V6 F/I	33-2857	PS-7005
Touareg	4.2L V8 F/I	33-2857*	
Touareg	4.2L V8 F/I - AXQ Eng.	33-2857*	PS-7005

2004 VOLKSWAGEN			
Beetle	1.4L L4 F/I	33-2774	
Beetle	1.8L L4 F/I	33-2128 ♦+	HP-2005 ¹
Beetle	1.9L L4 DSL	33-2128+	
Beetle	2.0L L4 F/I	33-2128 ♦+	HP-2005 ¹
Golf	1.9L L4 DSL	33-2128+	
Golf	2.0L L4 F/I	33-2128 ♦+	HP-2005 ¹
Golf GTI	1.8L L4 F/I - US	33-2128 ♦+	HP-2005 ¹
Golf GTI	2.8L V6 F/I	33-2128 ♦+	PS-7031
Golf IV	1.4L L4 F/I	33-2774 ♦	
Golf IV	1.8L L4 F/I	33-2128 ♦	
Golf IV	1.9L L4 DSL	33-2128 ♦	
Golf IV	2.0L L4 F/I	33-2128 ♦	
Golf IV GTI	1.8L L4 F/I	33-2128 ♦	
Golf IV GTI	1.9L L4 DSL	33-2128 ♦	
Golf Plus	2.0L L4 DSL	33-2865 ♦+	
Golf R32	3.2L V6 F/I	33-2128 ♦+	
Golf V	1.4L L4 F/I - 75BHP	33-2221 ♦+	
Golf V	1.9L L4 DSL	33-2865 ♦+	
Golf V	2.0L L4 DSL - 75BHP	E-2014 ♦+	
Golf V	2.0L L4 DSL - Exc., 75BHP	33-2865 ♦+	
Golf V	2.0L L4 F/I		PS-7010
Golf V	2.0L L4 F/I - 150BHP	E-2014 ♦+	PS-7010
Golf V	2.0L L4 F/I - 200BHP	33-2888 ♦+	PS-7010
Golf V GTI	2.0L L4 F/I	33-2888 ♦	PS-7010

Vehicle	Engine Type	Air Filter	Oil Filter
2004 VOLKSWAGEN			
Jetta	1.8L L4 F/I	33-2128 ♦+	HP-2005 ¹
Jetta	1.9L L4 DSL	33-2128+	
Jetta	2.0L L4 F/I	33-2128 ♦+	HP-2005 ¹
Jetta	2.8L V6 F/I	33-2128+	PS-7031
Jetta IV	1.6L L4 F/I - China, Engine Code ACR, ANL	33-2851	
Passat	1.6L L4 F/I	33-2125	
Passat	1.8L L4 F/I	33-2125+	HP-3001 ¹
Passat	1.9L L4 DSL	33-2125	
Passat	2.0L L4 DSL - Non-US	33-2125+	
Passat	2.0L L4 F/I	33-2125	
Passat	2.8L V6 F/I	33-2125+	
Passat	4.0L W8 F/I	33-2125+	PS-7005
Polo	1.2L L3 F/I - 54BHP	33-2830 ♦	
Polo	1.2L L3 F/I - 64BHP	33-2850 ♦	
R32	3.2L V6 F/I		PS-7031
Touareg	3.0L V6 DSL	33-2857	
Touareg	3.2L V6 F/I	33-2857	
Touareg	3.2L V6 F/I - BAA Eng.	33-2857	PS-7005
Touareg	4.2L V8 F/I	33-2857*	
Touareg	4.2L V8 F/I - AXQ Eng.	33-2857*	PS-7005
Touareg	5.0L V10 DSL	33-2857*	
Touareg	6.0L W12 F/I	33-2857*	

2003 VOLKSWAGEN			
Beetle	1.8L L4 F/I	33-2128 ♦+	HP-2005 ¹
Beetle	1.9L L4 DSL	33-2128+	
Beetle	2.0L L4 F/I	33-2128 ♦+	HP-2005 ¹
Clasico	1.6L L4 F/I		HP-2005 ¹
Eurovan	2.8L V6 F/I		PS-7031
Golf	1.9L L4 DSL	33-2128+	
Golf	2.0L L4 F/I - US	33-2128 ♦+	HP-2005 ¹
Golf GTI	1.8L L4 F/I	33-2128 ♦+	
Golf GTI	1.8L L4 F/I - US	33-2128	HP-2005 ¹
Golf GTI	2.0L L4 F/I		HP-2005 ¹
Golf GTI	2.8L V6 F/I	33-2128+	PS-7031
Golf IV	1.6L L4 F/I - 16v	33-2221 ♦	
Golf IV	1.6L L4 F/I - 8v	33-2128 ♦	
Golf IV	1.8L L4 F/I	33-2128 ♦	
Golf IV	1.9L L4 DSL	33-2128 ♦	
Golf IV	2.0L L4 F/I	33-2128 ♦	
Golf IV	2.8L V6 F/I	33-2128 ♦	
Golf IV GTI	1.8L L4 F/I	33-2128 ♦	
Golf IV GTI	1.9L L4 DSL	33-2128 ♦	
Golf V	1.9L L4 DSL	33-2865 ♦+	
Golf V	2.0L L4 DSL - 75BHP	E-2014 ♦+	
Golf V	2.0L L4 DSL - Exc., 75BHP	33-2865 ♦+	
Jetta	1.8L L4 F/I	33-2128 ♦+	HP-2005 ¹
Jetta	1.9L L4 DSL	33-2128+	
Jetta	2.0L L4 F/I	33-2128 ♦+	HP-2005 ¹
Jetta	2.8L V6 F/I	33-2128+	PS-7031
Passat	1.6L L4 F/I	33-2125	
Passat	1.8L L4 F/I	33-2125+	HP-3001 ¹
Passat	1.9L L4 DSL	33-2125	
Passat	2.0L L4 DSL	33-2125	
Passat	2.0L L4 F/I	33-2125	
Passat	2.3L V5 F/I	33-2125	
Passat	2.5L V6 DSL	33-2125	
Passat	2.8L V6 F/I	33-2125+	
Passat	4.0L W8 F/I	33-2125+	PS-7005
Polo	1.4L L3 DSL	33-2830 ♦	

2002 VOLKSWAGEN			
Beetle	1.8L L4 F/I	33-2128 ♦+	HP-2005 ¹
Beetle	1.9L L4 DSL	33-2128+	

* 2 filters required ♦ Intake System Available - see page 81 +Cabin Air Filter Available - see page 453 1- Pro Series Filter Available

AIR & OIL FILTERS

VOLKSWAGEN

Vehicle	Engine Type	Air Filter	Oil Filter
2002 VOLKSWAGEN			
Beetle	2.0L L4 F/I	33-2128 ♦+	HP-2005 ¹
Cabrio	2.0L L4 F/I	33-2069+	HP-2005 ¹
Eurovan	2.8L V6 F/I		PS-7031
Golf	1.9L L4 DSL	33-2128+	
Golf	2.0L L4 F/I - US	33-2128 ♦+	HP-2005 ¹
Golf GTI	1.8L L4 F/I - US	33-2128 ♦+	HP-2005 ¹
Golf GTI	2.0L L4 F/I	33-2128+	HP-2005 ¹
Golf GTI	2.8L V6 F/I	33-2128+	
Golf GTI	2.8L V6 F/I - AFP Eng.	33-2128	PS-7005
Golf GTI	2.8L V6 F/I - BDF Eng.	33-2128	PS-7031
Golf IV	1.6L L4 F/I - 16v	33-2221 ♦	
Golf IV	1.6L L4 F/I - 8v	33-2128 ♦	
Golf IV	1.8L L4 F/I	33-2128 ♦	
Golf IV	1.9L L4 DSL	33-2128 ♦	
Golf IV	2.0L L4 F/I	33-2128 ♦	
Golf IV	2.8L V6 F/I	33-2128 ♦	
Golf IV Cabriolet	1.8L L4 F/I	33-2069	HP-2005 ¹
Golf IV GTI	1.8L L4 F/I	33-2128 ♦	
Golf IV GTI	1.9L L4 DSL	33-2128 ♦	
Jetta	1.8L L4 F/I	33-2128 ♦+	HP-2005 ¹
Jetta	1.9L L4 DSL	33-2128+	
Jetta	2.0L L4 F/I	33-2128 ♦+	HP-2005 ¹
Jetta	2.8L V6 F/I	33-2128+	
Jetta	2.8L V6 F/I - AFP Eng.	33-2128	PS-7005
		33-2128	PS-7005
Jetta	2.8L V6 F/I - BDF Eng.	33-2128	PS-7031
		33-2128	PS-7031
Passat	1.8L L4 F/I	33-2125+	HP-2005 ¹
Passat	1.9L L4 DSL	33-2125	
Passat	2.0L L4 F/I	33-2125	
Passat	2.3L V5 F/I	33-2125	
Passat	2.5L V6 DSL	33-2125	
Passat	2.8L V6 F/I	33-2125+	
Passat	4.0L W8 F/I	33-2125+	PS-7005

2001 VOLKSWAGEN			
Beetle	1.8L L4 F/I	33-2128 ♦+	HP-2005 ¹
Beetle	1.9L L4 DSL	33-2128+	
Beetle	2.0L L4 F/I	33-2128 ♦+	HP-2005 ¹
Cabrio	2.0L L4 F/I	33-2069+	HP-2005 ¹
Eurovan	2.8L V6 F/I		PS-7031
Golf	1.8L L4 F/I - US	33-2128 ♦+	HP-2005 ¹
Golf	1.9L L4 DSL	33-2128+	
Golf	2.0L L4 F/I	33-2128 ♦+	HP-2005 ¹
Golf GTI	1.8L L4 F/I - US	33-2128 ♦+	HP-2005 ¹
Golf GTI	2.0L L4 F/I	33-2128+	HP-2005 ¹
Golf GTI	2.8L V6 F/I	33-2128+	PS-7005
Golf IV	1.4L L4 F/I	33-2774 ♦	
Golf IV	1.6L L4 F/I - 16v	33-2221 ♦	
Golf IV	1.8L L4 F/I	33-2128 ♦	
Golf IV	1.9L L4 DSL	33-2128 ♦	
Golf IV	2.0L L4 F/I	33-2128 ♦	
Golf IV	2.8L V6 F/I	33-2128 ♦	PS-7005
Golf IV Cabriolet	1.8L L4 F/I	33-2069	HP-2005 ¹
Golf IV GTI	1.8L L4 F/I	33-2128 ♦	
Golf IV GTI	1.9L L4 DSL	33-2128 ♦	
Jetta	1.8L L4 F/I	33-2128 ♦+	HP-2005 ¹
Jetta	1.9L L4 DSL	33-2128+	
Jetta	2.0L L4 F/I	33-2128 ♦+	HP-2005 ¹
Jetta	2.8L V6 F/I	33-2128+	PS-7005
Jetta IV	1.6L L4 F/I - China, Engine Code ACR, ANL	33-2851	
Passat	1.6L L4 F/I	33-2125	
Passat	1.8L L4 F/I	33-2125	HP-3001 ¹
Passat	2.0L L4 F/I	33-2125	

Vehicle	Engine Type	Air Filter	Oil Filter
2001 VOLKSWAGEN			
Passat	2.5L V6 DSL	33-2125	
Passat	2.8L V6 F/I	33-2125	
Passat	4.0L W8 F/I	33-2125	
2000 VOLKSWAGEN			
Beetle	1.8L L4 F/I	33-2128+	HP-2005 ¹
		33-2128	HP-2005 ¹
Beetle	1.9L L4 DSL	33-2128+	
Beetle	2.0L L4 F/I	33-2128 ♦+	HP-2005 ¹
Cabrio	2.0L L4 F/I	33-2069+	HP-2005 ¹
Eurovan	2.8L V6 F/I	33-2759	
Golf	1.8L L4 F/I	33-2128+	HP-2005 ¹
Golf	1.9L L4 DSL	33-2128+	
Golf	2.0L L4 F/I	33-2128 ♦+	HP-2005 ¹
Golf GTI	1.8L L4 F/I	33-2128+	HP-2005 ¹
Golf GTI	2.0L L4 F/I	33-2128+	HP-2005 ¹
Golf GTI	2.8L V6 F/I	33-2128+	PS-7005
Golf IV	1.8L L4 F/I	33-2128 ♦	
Golf IV	1.9L L4 DSL	33-2128 ♦	
Golf IV	2.0L L4 F/I	33-2128 ♦	
Golf IV	2.8L V6 F/I	33-2128 ♦	PS-7005
Golf IV Cabriolet	1.8L L4 F/I	33-2069	HP-2005 ¹
Golf IV GTI	1.8L L4 F/I	33-2128 ♦	
Jetta	1.8L L4 F/I	33-2128 ♦+	HP-2005 ¹
Jetta	1.9L L4 DSL	33-2128+	
Jetta	2.0L L4 F/I	33-2128 ♦+	HP-2005 ¹
Jetta	2.8L V6 F/I	33-2128+	PS-7005
Passat	1.6L L4 F/I	33-2125	
Passat	1.8L L4 F/I	33-2125 ♦	HP-3001 ¹
Passat	1.9L L4 DSL	33-2125 ♦	
Passat	2.0L L4 F/I	33-2125	
Passat	2.8L V6 F/I	33-2125 ♦	
Polo	1.0L L4 F/I	33-2159* ♦	
Polo	1.4L L4 F/I - Type 6K, 75BHP, Type 6N2, 75/101BHP	33-2774 ♦	

1999 VOLKSWAGEN			
Beetle	1.8L L4 F/I	33-2128+	
Beetle	1.9L L4 DSL	33-2128+	
Beetle	2.0L L4 F/I	33-2128 ♦+	HP-2005 ¹
Cabrio	2.0L L4 F/I	33-2069	HP-2005 ¹
Eurovan	2.8L V6 F/I	33-2759	PS-7005
Golf	2.0L L4 F/I	33-2128+	HP-2005 ¹
Golf GTI	2.0L L4 F/I	33-2128+	HP-2005 ¹
Golf GTI	2.8L V6 F/I	33-2128+	PS-7005
Golf III	2.0L L4 F/I	33-2069	HP-2005 ¹
Golf IV	1.9L L4 DSL	33-2128 ♦	
Golf IV	2.0L L4 F/I	33-2128 ♦	HP-2005 ¹
Golf IV GTI	1.8L L4 F/I	33-2128 ♦	HP-2005 ¹
Jetta	1.8L L4 F/I		HP-2005 ¹
Jetta	1.9L L4 DSL	33-2128+	
Jetta	2.0L L4 F/I		HP-2005 ¹
Jetta	2.0L L4 F/I - ABA Eng.	33-2069+	HP-2005
Jetta	2.0L L4 F/I - AEG Eng.	33-2128+	HP-2005
Jetta	2.8L V6 F/I		PS-7005
Jetta	2.8L V6 F/I - AFP Eng.	33-2128+	PS-7005
Jetta IV	1.8L L4 F/I		HP-2005 ¹
Passat	1.8L L4 F/I	33-2125 ♦	HP-3001 ¹
Passat	1.9L L4 DSL	33-2125 ♦	
Passat	2.8L V6 F/I	33-2125 ♦	
Transporter T4	1.9L L4 DSL	33-2759	

1998 VOLKSWAGEN			
Beetle	1.9L L4 DSL	33-2128+	
Beetle	2.0L L4 F/I	33-2128 ♦+	HP-2005 ¹

* 2 filters required ♦ Intake System Available - see page 81 +Cabin Air Filter Available - see page 453 1- Pro Series Filter Available

VOLKSWAGEN

AIR & OIL FILTERS

Vehicle	Engine Type	Air Filter	Oil Filter
1998 VOLKSWAGEN			
Cabrio	2.0L L4 F/I		HP-2005 ¹
Golf	2.0L L4 F/I	33-2069+	HP-2005 ¹
Golf GTI	2.8L V6 F/I	33-2069+	PS-7005
Golf III	1.9L L4 DSL	33-2069	
Golf III	2.0L L4 F/I	33-2069	HP-2005 ¹
Golf III	2.9L V6 F/I	33-2069 ♦	
Golf IV	2.0L L4 F/I	33-2128 ♦	HP-2005 ¹
Golf IV GTI	1.8L L4 F/I	33-2128	HP-2005 ¹
Jetta	1.9L L4 DSL	33-2069+	HP-3001 ¹
Jetta	2.0L L4 F/I	33-2069+	HP-2005 ¹
Jetta	2.8L V6 F/I	33-2069+	PS-7005
Jetta III	1.8L L4 F/I		HP-2005 ¹
Passat	1.8L L4 F/I	33-2125 ♦	HP-3001 ¹
Passat	1.9L L4 DSL	33-2125 ♦	

Vehicle	Engine Type	Air Filter	Oil Filter
1997 VOLKSWAGEN			
Eurovan	2.8L V6 F/I	33-2759	PS-7005
Golf	2.0L L4 F/I	33-2069+	HP-2005 ¹
Golf GTI	2.8L V6 F/I	33-2069+	PS-7005
Golf III	1.8L L4 F/I	33-2069	HP-2005 ¹
Golf III	2.0L L4 F/I	33-2069 ♦	HP-2005 ¹
Golf III	2.8L V6 F/I	33-2069 ♦	PS-7005
Golf III GTI	2.0L L4 F/I	33-2069 ♦	HP-2005 ¹
Golf IV GTI	1.8L L4 F/I	33-2128	HP-2005 ¹
Jetta	1.9L L4 DSL	33-2069+	HP-3001 ¹
Jetta	2.0L L4 F/I	33-2069+	HP-2005 ¹
Jetta	2.8L V6 F/I	33-2069+	PS-7005
Passat	1.9L L4 DSL	33-2029	HP-3001 ¹
Passat	1.9L L4 DSL - 35i	33-2029 ♦	HP-3001
Passat	1.9L L4 DSL - 3B Model	33-2125 ♦	HP-3001
Passat	2.8L V6 F/I	33-2029	PS-7005
Passat	2.8L V6 F/I - 174BHP	33-2029 ♦	PS-7005
Passat	2.8L V6 F/I - Exc.,	33-2125 ♦	PS-7005
Passat	174BHP		

Vehicle	Engine Type	Air Filter	Oil Filter
1996 VOLKSWAGEN			
Golf	2.0L L4 F/I	33-2069+	HP-2005 ¹
Golf GTI	2.8L V6 F/I	33-2069+	PS-7005
Golf III	2.0L L4 F/I	33-2069 ♦	HP-2005 ¹
Golf III GTI	2.0L L4 F/I	33-2069 ♦	HP-2005 ¹
Jetta	2.0L L4 F/I	33-2069+	HP-2005 ¹
Jetta	2.8L V6 F/I	33-2069+	
Passat	1.9L L4 DSL	33-2029	HP-3001 ¹
Passat	1.9L L4 DSL - 35i	33-2029 ♦	HP-3001 ¹
Passat	1.9L L4 DSL - 3B Model	33-2125 ♦	HP-3001
Passat	2.8L V6 F/I	33-2029	PS-7005
Passat	2.8L V6 F/I - 174BHP	33-2029 ♦	PS-7005
Passat	2.8L V6 F/I - Exc.,	33-2125 ♦	PS-7005
Passat	174BHP		

Vehicle	Engine Type	Air Filter	Oil Filter
1995 VOLKSWAGEN			
Cabrio	2.0L L4 F/I	33-2069	HP-2005 ¹
Eurovan	2.5L L5 F/I		HP-3001 ¹
Golf III	2.0L L4 F/I	33-2069 ♦	HP-2005 ¹
Golf III	2.8L V6 F/I	33-2069 ♦	PS-7005
Golf III GTI	2.0L L4 F/I	33-2069 ♦	HP-2005 ¹
Jetta	2.0L L4 F/I	33-2069+	HP-2005 ¹
Jetta III	1.8L L4 F/I		HP-2005 ¹
Passat	2.8L V6 F/I	33-2029	

Vehicle	Engine Type	Air Filter	Oil Filter
1994 VOLKSWAGEN			
Golf	2.0L L4 F/I	33-2069+	HP-2005 ¹
Golf III	2.0L L4 F/I	33-2069 ♦	HP-2005 ¹
Golf III GTI	2.0L L4 F/I	33-2069 ♦	HP-2005 ¹
Jetta	2.0L L4 F/I	33-2069+	HP-2005 ¹

Vehicle	Engine Type	Air Filter	Oil Filter
1993 VOLKSWAGEN			
Corrado	2.8L V6 F/I	33-2029	
EuroVan	2.5L L5 F/I		HP-3001 ¹
Golf	1.8L L4 F/I	33-2069+	HP-2005 ¹
Golf	1.9L L4 DSL	33-2069+	
Golf I	1.8L L4 CARB	33-2092	HP-2005 ¹
Golf I	1.8L L4 F/I	33-2002	HP-2005 ¹
Golf III	1.8L L4 F/I	33-2069	HP-2005 ¹
Golf III	1.9L L4 DSL	33-2069 ♦	HP-3001 ¹
Golf III	2.0L L4 F/I	33-2069 ♦	HP-2005 ¹
Golf III GTI	2.0L L4 F/I	33-2069	HP-2005 ¹

Vehicle	Engine Type	Air Filter	Oil Filter
1992 VOLKSWAGEN			
Cabriolet	1.8L L4 F/I	33-2002	HP-2005 ¹
Corrado	2.8L V6 F/I	33-2029	
Golf III	1.8L L4 F/I	33-2069	HP-2005 ¹
Golf III GTI	2.0L L4 F/I	33-2069	HP-2005 ¹
Jetta	1.6L L4 DSL	33-2001	HP-3001 ¹
Jetta	1.8L L4 CARB		HP-2005 ¹
Jetta	1.8L L4 F/I	33-2029	HP-2005 ¹
Jetta III	1.6L L4 F/I - China, Engine Code ACR, ANL	33-2851	

Vehicle	Engine Type	Air Filter	Oil Filter
1991 VOLKSWAGEN			
Corrado	1.8L L4 F/I	33-2032	HP-2005 ¹
Corrado	1.8L L4 F/I - 136BHP	33-2032	HP-2005
Corrado	1.8L L4 F/I - 160BHP	33-2029	HP-2005
Golf II	1.8L L4 CARB	33-2092	HP-2005 ¹
Golf II	1.8L L4 F/I		HP-2005 ¹
Golf II	1.8L L4 F/I - 1P/RP Eng. 90/98BHP	33-2001	HP-2005
Golf II	1.8L L4 F/I - GU/RH Eng. 84/90BHP	33-2092	HP-2005
Golf II GTI	1.8L L4 F/I		HP-2005 ¹
Golf II GTI	1.8L L4 F/I - Exc., 105BHP	33-2029 ♦	HP-2005
Golf III	1.8L L4 F/I	33-2069	HP-2005 ¹
Jetta	1.6L L4 DSL	33-2001	HP-3001 ¹
Jetta II	1.6L L4 CARB	33-2092	
Jetta II	1.6L L4 DSL - 54/70BHP	33-2001	
Jetta II	1.6L L4 DSL - 60/80BHP	33-2029	
Jetta II	1.6L L4 F/I	33-2092	
Jetta II	1.6L L4 F/I - China, Engine Code ACR, ANL	33-2851	
Jetta II	1.8L L4 F/I - 107/112BHP	33-2029	
Jetta II	1.8L L4 F/I - 129/140BHP	33-2023	
Jetta II	1.8L L4 F/I - 90/98BHP	33-2001	
Vanagon	2.1L H4 F/I	E-2475	HP-2005 ¹

Vehicle	Engine Type	Air Filter	Oil Filter
1990 VOLKSWAGEN			
Cabriolet	1.8L L4 F/I	33-2002	HP-2005 ¹
Corrado	1.8L L4 F/I	33-2032	HP-2005 ¹
Corrado	1.8L L4 F/I - 136BHP	33-2032	HP-2005
Corrado	1.8L L4 F/I - 160BHP	33-2029	HP-2005
Golf	1.8L L4 F/I	33-2029	HP-2005 ¹
Golf I	1.8L L4 CARB	33-2092	HP-2005 ¹
Golf I	1.8L L4 F/I	33-2002	
Golf II	1.8L L4 CARB	33-2092	HP-2005 ¹
Golf II	1.8L L4 F/I		HP-2005 ¹
Golf II	1.8L L4 F/I - 1P/RP Eng. 90/98BHP	33-2001	HP-2005
Golf II	1.8L L4 F/I - GU/RH Eng. 84/90BHP	33-2092	HP-2005
Golf II GTI	1.8L L4 F/I		HP-2005 ¹
Golf II GTI	1.8L L4 F/I - Exc., 105BHP	33-2029 ♦	HP-2005
Jetta I	1.8L L4 CARB		HP-2005 ¹

* 2 filters required ♦ Intake System Available - see page 81 +Cabin Air Filter Available - see page 453 1- Pro Series Filter Available

AIR & OIL FILTERS

VOLKSWAGEN

Vehicle	Engine Type	Air Filter	Oil Filter
1990 VOLKSWAGEN			
Jetta II	1.6L L4 CARB	33-2092	
Jetta II	1.6L L4 DSL - 54/70BHP	33-2001	
Jetta II	1.6L L4 DSL - 60/80BHP	33-2029	
Jetta II	1.6L L4 F/I	33-2092	
Jetta II	1.8L L4 F/I - 107/112BHP	33-2029	
Jetta II	1.8L L4 F/I - 129/140BHP	33-2023	
Jetta II	1.8L L4 F/I - 90/98BHP	33-2001	
Vanagon	2.1L H4 F/I	E-2475	HP-2005 ¹

Vehicle	Engine Type	Air Filter	Oil Filter
1989 VOLKSWAGEN			
Golf II	1.8L L4 CARB		HP-2005 ¹
Golf II	1.8L L4 F/I		HP-2005 ¹
Golf II	1.8L L4 F/I - 1P/RP Eng. 90/98BHP	33-2001	HP-2005
Golf II GTI	1.8L L4 F/I - 129/139BHP, to 8/89	33-2001 ♦	
Golf II GTI	1.8L L4 F/I - From 9/89 129/139BHP, Exc., 105BHP	33-2029 ♦	
Jetta II	1.8L L4 F/I - 107/112BHP	33-2029	
Jetta II	1.8L L4 F/I - from 9/89, 129/140BHP	33-2023	
Jetta II	1.8L L4 F/I - to 8/89 129/140/90/98BHP	33-2001	
Vanagon	2.1L H4 F/I	E-2475	

Vehicle	Engine Type	Air Filter	Oil Filter
1988 VOLKSWAGEN			
Golf II GTI	1.8L L4 F/I		HP-2005 ¹
Golf II GTI	1.8L L4 F/I - 107/112/160BHP	33-2029 ♦	HP-2005
Golf II GTI	1.8L L4 F/I - 129/139BHP	33-2001 ♦	HP-2005
Jetta II	1.8L L4 F/I - 107/112BHP	33-2029	
Jetta II	1.8L L4 F/I - 90/98/129/140BHP	33-2001	
Scirocco	1.8L L4 F/I	33-2002	HP-2005 ¹
Scirocco	1.8L L4 F/I - Exc., 90BHP	33-2002	HP-2005
Vanagon	2.1L H4 F/I	E-2475	

Vehicle	Engine Type	Air Filter	Oil Filter
1987 VOLKSWAGEN			
Golf GTI	1.8L L4 F/I	33-2001	HP-2005 ¹
Golf II GTI	1.8L L4 F/I		HP-2005 ¹
Golf II GTI	1.8L L4 F/I - 107/112BHP	33-2029 ♦	HP-2005
Golf II GTI	1.8L L4 F/I - 129/139BHP	33-2001 ♦	HP-2005
Scirocco	1.8L L4 F/I	33-2002	HP-2005 ¹
Scirocco	1.8L L4 F/I - 90BHP	33-2092	HP-2005
Scirocco	1.8L L4 F/I - Exc., 90BHP	33-2002	HP-2005
Vanagon	2.1L H4 F/I	E-2475	HP-2005 ¹

Vehicle	Engine Type	Air Filter	Oil Filter
1986 VOLKSWAGEN			
Golf II GTI	1.8L L4 F/I	33-2001	HP-2005 ¹
Jetta II	1.8L L4 F/I - Exc., 95BHP	33-2001	
Vanagon	2.1L H4 F/I	E-2475	

Vehicle	Engine Type	Air Filter	Oil Filter
1985 VOLKSWAGEN			
Golf II	1.8L L4 CARB		HP-2005 ¹
Golf II	1.8L L4 F/I		HP-2005 ¹
Golf II GTI	1.8L L4 F/I	33-2001	HP-2005 ¹
Jetta II	1.6L L4 DSL	33-2001	
Vanagon	1.9L H4 F/I	33-2003	HP-2005 ¹

Vehicle	Engine Type	Air Filter	Oil Filter
1984 VOLKSWAGEN			
Rabbit	1.8L L4 F/I	33-2002	

Vehicle	Engine Type	Air Filter	Oil Filter
1984 VOLKSWAGEN			
Vanagon	1.9L H4 F/I	33-2003	HP-2005 ¹
1983 VOLKSWAGEN			
Golf I GTI	1.8L L4 F/I	33-2002	
1982 VOLKSWAGEN			
Rabbit Pickup	1.6L L4 DSL	33-2001	HP-3001 ¹
Vanagon	2.0L H4 F/I	33-2003	HP-2004 ¹
1981 VOLKSWAGEN			
Rabbit Pickup	1.6L L4 DSL	33-2001	HP-3001 ¹

Vehicle	Engine Type	Air Filter	Oil Filter
1980 VOLKSWAGEN			
Rabbit Pickup	1.6L L4 F/I	33-2002	HP-2005 ¹

Vehicle	Engine Type	Air Filter	Oil Filter
1979 VOLKSWAGEN			
Beetle	1.6L H4 F/I	33-2001	
Beetle	98 H4 CARB		HP-2008 ¹
Transporter	2.0L H4 F/I	33-2003	
Transporter T2	2.0L L4 CARB	33-2003	
Transporter T3	2.0L H4 CARB	33-2003	

Vehicle	Engine Type	Air Filter	Oil Filter
1978 VOLKSWAGEN			
Transporter T2	2.0L H4 CARB	33-2003	

Vehicle	Engine Type	Air Filter	Oil Filter
1977 VOLKSWAGEN			
Transporter T2	2.0L H4 CARB	33-2003	

Vehicle	Engine Type	Air Filter	Oil Filter
1976 VOLKSWAGEN			
Transporter T2	2.0L H4 CARB	33-2003	

Vehicle	Engine Type	Air Filter	Oil Filter
1975 VOLKSWAGEN			
Beetle	1.6L H4 F/I	33-2001	
Beetle	92 L4 CARB		HP-2008 ¹

Vehicle	Engine Type	Air Filter	Oil Filter
1974 VOLKSWAGEN			
Beetle	92 L4 CARB		HP-2008 ¹
Beetle	97 H4 CARB	33-2001	

Vehicle	Engine Type	Air Filter	Oil Filter
1973 VOLKSWAGEN			
Beetle	92 L4 CARB		HP-2008 ¹

Vehicle	Engine Type	Air Filter	Oil Filter
1972 VOLKSWAGEN			
Beetle	92 L4 CARB		HP-2008 ¹

Vehicle	Engine Type	Air Filter	Oil Filter
1971 VOLKSWAGEN			
Beetle	92 L4 CARB		HP-2008 ¹
Transporter T2	1.6L H4 CARB	33-2003	

Vehicle	Engine Type	Air Filter	Oil Filter
1970 VOLKSWAGEN			
Beetle	92 L4 CARB		HP-2008 ¹
Transporter T2	1.6L H4 CARB	33-2003	

Vehicle	Engine Type	Air Filter	Oil Filter
1966 VOLKSWAGEN			
Beetle	73 H4 CARB		HP-2008 ¹

Vehicle	Engine Type	Air Filter	Oil Filter
2015 VOLVO			
S60	2.0L L4 F/I	33-2388	
S60	2.5L L5 F/I	33-2873	PS-7010
S60	3.0L L6 F/I	33-2418	PS-7016
V60	2.0L L4 F/I	33-2388	
V60	2.5L L5 F/I		PS-7010
V60	3.0L L6 F/I	33-2418	PS-7016
V60 Cross Country	2.5L L5 F/I		PS-7010
XC60	2.0L L4 F/I	33-2388	
XC60	3.0L L6 F/I	33-2418	PS-7016
XC60	3.2L L6 F/I	33-2418	PS-7016
XC70	3.0L L6 F/I	33-2418	
XC70	3.2L L6 F/I	33-2418	
XC90	3.2L L6 F/I		PS-7016

Vehicle	Engine Type	Air Filter	Oil Filter
2014 VOLVO			
S60	2.5L L5 F/I	33-2873	PS-7010

* 2 filters required ♦ Intake System Available - see page 81 +Cabin Air Filter Available - see page 453 1- Pro Series Filter Available

VOLVO

AIR & OIL FILTERS

Vehicle	Engine Type	Air Filter	Oil Filter	Vehicle	Engine Type	Air Filter	Oil Filter
2014 VOLVO				2010 VOLVO			
S60	3.0L L6 F/I	33-2418	PS-7016	C30	2.0L L4 DSL	E-2993 ♦	
S60 II	2.0L L4 F/I	33-2388		C30	2.0L L4 F/I	E-2993 ♦	
S60 II	2.0L L5 DSL	33-2388		C30	2.0L L5 DSL	33-2976	
S60 II	2.4L L5 DSL	33-2388		C30	2.4L L5 DSL	33-2976	
S60 II	3.0L L6 F/I	33-2418		C30	2.4L L5 F/I	33-2873	PS-7010
S80	3.0L L6 F/I	33-2418		C30	2.5L L5 F/I	33-2873 ♦	PS-7010
S80 II	3.0L L6 F/I	33-2418		S40	2.4L L5 F/I	33-2873	PS-7010
XC60	3.0L L6 F/I	33-2418	PS-7016	S40	2.5L L5 F/I	33-2873	PS-7010
XC60	3.2L L6 F/I	33-2418		S40 II	2.4L L5 DSL	33-2976	
XC90	3.2L L6 F/I	33-2400	PS-7016	S40 II	2.5L L5 F/I	33-2873 ♦	PS-7010
2013 VOLVO				2009 VOLVO			
C30	2.5L L5 F/I	33-2873	PS-7010	C30	2.4L L5 F/I	33-2873	
C70	2.5L L5 F/I	33-2873	PS-7010	C30	2.5L L5 F/I	33-2873 ♦	PS-7010
C70 II	2.5L L5 F/I	33-2873	PS-7010	C70	2.5L L5 F/I	33-2873	PS-7010
S60	2.5L L5 F/I	33-2873	PS-7010	C70 II	2.5L L5 F/I	33-2873	PS-7010
S60	3.0L L6 F/I	33-2418	PS-7016	S40	2.5L L5 F/I	33-2873	PS-7010
S60 II	2.0L L4 F/I	33-2388		S40 II	2.4L L5 DSL	33-2976	
S60 II	2.0L L5 DSL	33-2388		S40 II	2.5L L5 F/I	33-2873 ♦	PS-7010
S60 II	2.4L L5 DSL	33-2388		S60	2.4L L5 DSL - Exc., 185BHP	33-2176	
S60 II	3.0L L6 F/I	33-2418		S60	2.5L L5 F/I		PS-7002
V40 Cross Country	1.6L L4 DSL	E-2993 ♦		S80	3.0L L6 F/I	33-2418	
V40 Cross Country	1.6L L4 F/I	E-2993 ♦		S80	3.2L L6 F/I	33-2418	PS-7007
V40 II	1.6L L4 DSL	E-2993 ♦		S80	4.4L V8 F/I	33-2388	
V40 II	1.6L L4 F/I	E-2993 ♦		S80 II	3.0L L6 F/I	33-2418	
XC60	3.0L L6 F/I	33-2418	PS-7016	S80 II	3.2L L6 F/I	33-2418	PS-7016
XC60	3.2L L6 F/I	33-2418	PS-7016	S80 II	4.4L V8 F/I	33-2388	
XC90	3.2L L6 F/I	33-2400	PS-7016	V50	2.4L L5 F/I	33-2873	
2012 VOLVO				2008 VOLVO			
C30	2.0L L4 F/I	E-2993 ♦		C30	2.4L L5 F/I	33-2873	
C30	2.0L L5 DSL	33-2976		C30	2.5L L5 F/I	33-2873 ♦	PS-7010
C30	2.5L L5 F/I	33-2873 ♦	PS-7010	C70	2.5L L5 F/I	33-2873	PS-7010
C70	2.5L L5 F/I	33-2873	PS-7010	C70 II	2.5L L5 F/I	33-2873	PS-7010
C70 II	2.5L L5 F/I	33-2873	PS-7010	S40	2.4L L5 F/I	33-2873	
S60	2.5L L5 F/I	33-2873	PS-7010	S40	2.5L L5 F/I	33-2873	PS-7010
S60	3.0L L6 F/I	33-2418	PS-7016	S40 II	2.4L L5 DSL	33-2976	
S60 II	1.6L L4 DSL	33-2388		S40 II	2.4L L5 F/I	33-2873	
S60 II	1.6L L4 F/I	33-2388		S40 II	2.5L L5 F/I	33-2873 ♦	PS-7010
S60 II	2.0L L4 F/I	33-2388		S60	2.4L L5 DSL - Exc., 185BHP	33-2176	
S60 II	2.0L L5 DSL	33-2388		S60	2.4L L5 F/I	33-2176	
S60 II	2.4L L5 DSL	33-2388		S60	2.5L L5 F/I	33-2176	PS-7002
S60 II	3.0L L6 F/I	33-2418		S80	3.0L L6 F/I	33-2418	PS-7016
XC60	2.4L L5 DSL	33-2388		XC70	3.0L L6 F/I	33-2418	PS-7007
XC60	3.0L L6 F/I	33-2418	PS-7016	XC70	3.2L L6 F/I	33-2418	PS-7007
XC60	3.2L L6 F/I	33-2418	PS-7016	XC70 Cross Country	3.2L L6 F/I	33-2418	PS-7016
XC70	3.0L L6 F/I	33-2418		XC70 II	3.0L L6 F/I	33-2418	
XC70 II	3.0L L6 F/I	33-2418		XC70 II	3.2L L6 F/I	33-2418	PS-7016
XC90	3.2L L6 F/I	33-2400		XC90	3.2L L6 F/I	33-2400	PS-7007
C30	2.5L L5 F/I	33-2873 ♦	PS-7010	C30	2.4L L5 F/I	33-2873	
C70	2.5L L5 F/I	33-2873	PS-7010	C30	2.5L L5 F/I	33-2873 ♦	PS-7010
C70 II	2.5L L5 F/I	33-2873	PS-7010	C70	2.5L L5 F/I	33-2873	PS-7010
S40	2.5L L5 F/I	33-2873	PS-7010	C70 II	2.5L L5 F/I	33-2873	PS-7010
S40 II	2.5L L5 F/I	33-2873 ♦	PS-7010	S40	2.4L L5 F/I	33-2873	
S60	3.0L L6 F/I	33-2418	PS-7016	S40	2.5L L5 F/I	33-2873	PS-7010
S60 II	3.0L L6 F/I	33-2418		S40 II	2.4L L5 DSL	33-2976	
S80	3.2L L6 F/I	33-2418		S40 II	2.4L L5 F/I	33-2873	
S80 II	3.2L L6 F/I	33-2418		S40 II	2.5L L5 F/I	33-2873 ♦	PS-7010
XC60	3.0L L6 F/I	33-2418	PS-7016	S60	2.4L L5 DSL - Exc., 185BHP	33-2176	
XC60	3.2L L6 F/I	33-2418	PS-7016	S60	2.4L L5 F/I	33-2176	
XC70 II	3.0L L6 F/I	33-2418		S60	2.5L L5 F/I	33-2176	PS-7002
XC90	3.2L L6 F/I	33-2400	PS-7016	S80	3.0L L6 F/I	33-2418	PS-7016
XC90	4.4L V8 F/I	33-2328		S80	3.2L L6 F/I	33-2418	PS-7016

* 2 filters required ♦ Intake System Available - see page 81 +Cabin Air Filter Available - see page 453 1- Pro Series Filter Available

AIR & OIL FILTERS

VOLVO

Vehicle	Engine Type	Air Filter	Oil Filter
2008 VOLVO			
S80	4.4L V8 F/I	33-2388	
S80 II	3.0L L6 F/I	33-2418	PS-7016
S80 II	3.2L L6 F/I	33-2418	PS-7016
S80 II	4.4L V8 F/I	33-2388	PS-7002
V50	2.4L L5 F/I	33-2873	PS-7010
V50	2.5L L5 F/I	33-2873 ♦	PS-7010
XC70	2.4L L5 DSL	33-2388	
XC70	3.2L L6 F/I	33-2418	PS-7016
XC70 Cross Country	3.2L L6 F/I	33-2418	PS-7016
XC70 II	2.4L L5 DSL	33-2388	
XC70 II	3.2L L6 F/I	33-2418	PS-7016
XC90	2.4L L5 DSL - 185BHP	33-2972	
XC90	3.2L L6 F/I	33-2400	PS-7016
XC90	4.4L V8 F/I	33-2328	PS-7002

Vehicle	Engine Type	Air Filter	Oil Filter
2007 VOLVO			
C70	2.5L L5 F/I	33-2873	PS-7010
C70 II	2.5L L5 F/I	33-2873	PS-7010
S40	2.4L L5 F/I	33-2873	
S40	2.5L L5 F/I	33-2873	PS-7010
S40 II	2.4L L5 DSL	33-2976	
S40 II	2.4L L5 F/I	33-2873	
S40 II	2.5L L5 F/I	33-2873 ♦	PS-7010
S60	2.4L L5 DSL - 185BHP	33-2972	
S60	2.4L L5 DSL - Exc., 185BHP	33-2176	
S60	2.4L L5 F/I	33-2176	PS-7002
S60	2.5L L5 F/I	33-2176	PS-7002
S60R	2.5L L5 F/I	E-2019	PS-7002
S80	3.2L L6 F/I		PS-7016
S80	4.4L V8 F/I	33-2388	PS-7002
S80 II	3.2L L6 F/I	33-2418	PS-7016
S80 II	4.4L V8 F/I	33-2388	
V50	2.4L L5 F/I	33-2873	
V50	2.5L L5 F/I	33-2873 ♦	PS-7010
V70	2.5L L5 F/I	33-2176	
V70 II	2.5L L5 F/I - 300BHP	E-2019	
V70 II	2.5L L5 F/I - Exc., 300BHP	33-2176	
V70 III	2.5L L5 F/I	33-2873	
V70R	2.5L L5 F/I	E-2019	PS-7002
XC70	2.5L L5 F/I	33-2176	
XC70 Cross Country	2.5L L5 F/I	33-2176	PS-7002
XC70 Cross Country	3.2L L6 F/I	33-2418	
XC90	3.2L L6 F/I	33-2400	PS-7016
XC90	4.4L V8 F/I	33-2328	PS-7002

Vehicle	Engine Type	Air Filter	Oil Filter
2006 VOLVO			
S40	2.4L L5 F/I	33-2873	
S40	2.5L L5 F/I	33-2873 ♦	PS-7010
S40 II	2.4L L5 DSL	33-2976	
S40 II	2.4L L5 F/I	33-2873	
S40 II	2.5L L5 F/I	33-2873 ♦	PS-7010
S60	2.4L L5 DSL - 185BHP	33-2972	
S60	2.4L L5 DSL - Exc., 185BHP	33-2176	
S60	2.4L L5 F/I	33-2176	PS-7002
S60	2.5L L5 F/I	33-2176	PS-7002
S60R	2.5L L5 F/I	E-2019	PS-7002
S80	2.5L L5 F/I		PS-7002
S80	2.5L L5 F/I - Non-US	33-2152	PS-7002
S80	2.5L L5 F/I - US	33-2176	PS-7002
S80 II	2.5L L5 F/I	33-2873	PS-7002
V50	2.4L L5 DSL	33-2976	
V50	2.4L L5 F/I	33-2873	PS-7010
V50	2.5L L5 F/I	33-2873 ♦	PS-7010

Vehicle	Engine Type	Air Filter	Oil Filter
2006 VOLVO			
V70	2.4L L5 F/I - US	33-2176	
V70	2.5L L5 F/I	33-2176	PS-7002
V70 II	2.4L L5 DSL - 185BHP	33-2388	
V70 II	2.4L L5 DSL - Exc., 185BHP	33-2176	
V70 II	2.4L L5 F/I		PS-7002
V70 II	2.4L L5 F/I - Exc. 260BHP	33-2176	PS-7002
V70 II	2.5L L5 F/I		PS-7002
V70 II	2.5L L5 F/I - 300BHP	E-2019	PS-7002
V70 II	2.5L L5 F/I - Exc., 300BHP	33-2176	PS-7002
V70R	2.5L L5 F/I	E-2019	PS-7002
XC70	2.5L L5 F/I	33-2176	PS-7002
XC70 Cross Country	2.4L L5 DSL - Exc., 185BHP	33-2388	
XC70 Cross Country	2.5L L5 F/I	33-2176	PS-7002
XC90	2.4L L5 DSL - 163BHP	33-2280 ♦	
XC90	2.5L L5 F/I	33-2280	PS-7002
XC90	3.2L L6 F/I	33-2400	
XC90	4.4L V8 F/I	33-2328	PS-7002

Vehicle	Engine Type	Air Filter	Oil Filter
2005 VOLVO			
S40	2.4L L5 F/I	33-2873	PS-7002
S40	2.5L L5 F/I	33-2873 ♦	PS-7010
S40 II	2.4L L5 F/I	33-2873	
S40 II	2.5L L5 F/I	33-2873 ♦	PS-7010
S60	2.4L L5 DSL - 185BHP	33-2972	
S60	2.4L L5 DSL - Exc., 185BHP	33-2176	
S60	2.4L L5 F/I	33-2176	PS-7002
S60	2.5L L5 F/I	33-2176	PS-7002
S60R	2.5L L5 F/I	E-2019	PS-7002
S80	2.5L L5 F/I		PS-7002
S80	2.5L L5 F/I - Non-US	33-2152	PS-7002
S80	2.5L L5 F/I - US	33-2176	PS-7002
V50	2.4L L5 F/I	33-2873	PS-7010
V50	2.5L L5 F/I	33-2873 ♦	PS-7010
V70	2.4L L5 F/I - US	33-2176	
V70	2.5L L5 F/I	33-2176	PS-7002
V70 II	2.4L L5 DSL - 185BHP	33-2388	
V70 II	2.4L L5 DSL - Exc., 185BHP	33-2176	
V70 II	2.4L L5 F/I		PS-7002
V70 II	2.4L L5 F/I - Exc. 260BHP	33-2176	PS-7002
V70 II	2.5L L5 F/I		PS-7002
V70 II	2.5L L5 F/I - 300BHP	E-2019	PS-7002
V70 II	2.5L L5 F/I - Exc., 300BHP	33-2176	PS-7002
V70R	2.5L L5 F/I	E-2019	PS-7002
XC70	2.5L L5 F/I	33-2176	PS-7002
XC70 Cross Country	2.4L L5 DSL - from 9/05, Exc., 185BHP	33-2388	
XC70 Cross Country	2.4L L5 DSL - to 8/05	33-2176	
XC70 Cross Country	2.5L L5 F/I	33-2176	PS-7002
XC90	2.4L L5 DSL - 163BHP	33-2280 ♦	
XC90	2.5L L5 F/I	33-2280	PS-7002
XC90	2.9L L6 F/I	33-2280	PS-7002
XC90	4.4L V8 F/I	33-2328	PS-7002

Vehicle	Engine Type	Air Filter	Oil Filter
2004 VOLVO			
C70	2.3L L5 F/I		PS-7002
C70	2.4L L5 F/I		PS-7002
C70 I	2.3L L5 F/I	33-2670	PS-7002
C70 I	2.4L L5 F/I	33-2670	PS-7002
S40	1.9L L4 F/I	33-2763	
S40	2.5L L5 F/I		PS-7010

* 2 filters required ♦ Intake System Available - see page 81 +Cabin Air Filter Available - see page 453 1- Pro Series Filter Available

VOLVO

AIR & OIL FILTERS

Vehicle	Engine Type	Air Filter	Oil Filter	Vehicle	Engine Type	Air Filter	Oil Filter
2004 VOLVO				2002 VOLVO			
S40 II	2.4L L5 F/I	33-2873		S80	2.9L L6 F/I - Exc. Turbo	33-2152	PS-7002
S40 II	2.5L L5 F/I	33-2873 ♦	PS-7010	S80	2.9L L6 F/I - Turbo	33-2269	PS-7002
S60	2.0L L5 F/I	33-2176	PS-7002	V40	1.9L L4 DSL	33-2763	
S60	2.3L L5 F/I	33-2176	PS-7002	V40	1.9L L4 F/I	33-2763	PS-7002
S60	2.4L L5 DSL	33-2176		V70	2.4L L5 F/I	33-2176	PS-7002
S60	2.4L L5 F/I	33-2176	PS-7002	V70 II	2.3L L5 F/I	33-2176	
S60	2.5L L5 F/I	33-2176	PS-7002	V70 II	2.4L L5 DSL	33-2176	
S60R	2.5L L5 F/I	E-2019	PS-7002	V70 II	2.4L L5 F/I	33-2176	PS-7002
S80	2.5L L5 F/I		PS-7002	XC70 Cross Country	2.4L L5 DSL	33-2176	
S80	2.5L L5 F/I - Non-US	33-2152	PS-7002	XC70 Cross Country	2.4L L5 F/I	33-2176	PS-7002
S80	2.5L L5 F/I - US	33-2176	PS-7002	XC70 Cross Country	2.5L L5 F/I	33-2176	PS-7002
S80	2.9L L6 F/I	33-2152	PS-7002	2001 VOLVO			
V40	1.9L L4 DSL	33-2763		C70	2.3L L5 F/I	33-2670	PS-7002
V40	1.9L L4 F/I		PS-7002	C70	2.4L L5 F/I	33-2670	
V70	2.4L L5 F/I		PS-7002	C70 I	2.3L L5 F/I	33-2670	PS-7002
V70	2.4L L5 F/I - US	33-2176	PS-7002	C70 I	2.4L L5 F/I	33-2670 ♦	
V70	2.5L L5 F/I	33-2176	PS-7002	S40	1.9L L4 F/I	33-2763	PS-7002
V70 II	2.4L L5 DSL	33-2176		S40 I	1.8L L4 F/I	33-2763	
V70 II	2.4L L5 F/I		PS-7002	S40 I	1.9L L4 DSL	33-2763	
V70 II	2.4L L5 F/I - Exc. 260BHP	33-2176	PS-7002	S40 I	2.0L L4 F/I	33-2763 ♦	
V70 II	2.5L L5 F/I		PS-7002	S60	2.0L L5 F/I	33-2176	
V70 II	2.5L L5 F/I - 300BHP	E-2019	PS-7002	S60	2.3L L5 F/I	33-2176	PS-7002
V70 II	2.5L L5 F/I - Exc., 300BHP	33-2176	PS-7002	S60	2.4L L5 DSL	33-2176	
XC70	2.5L L5 F/I	33-2176	PS-7002	S60	2.4L L5 F/I	33-2176	PS-7002
XC70 Cross Country	2.4L L5 DSL	33-2176		S80	2.8L L6 F/I	33-2152	PS-7002
XC70 Cross Country	2.5L L5 F/I	33-2176	PS-7002	S80	2.9L L6 F/I	33-2152	PS-7002
XC90	2.4L L5 DSL	33-2280 ♦		V40	1.9L L4 DSL	33-2763	
XC90	2.5L L5 F/I	33-2280	PS-7002	V40	1.9L L4 F/I	33-2763	PS-7002
XC90	2.9L L6 F/I	33-2280	PS-7002	V70	2.3L L5 F/I	33-2176	PS-7002
2003 VOLVO				V70	2.4L L5 DSL	33-2176	
C70 I	2.3L L5 F/I	33-2670		V70	2.4L L5 F/I	33-2176	PS-7002
S40	1.9L L4 F/I	33-2763	PS-7002	V70 II	2.3L L5 F/I	33-2176	PS-7002
S40 I	1.9L L4 DSL	33-2763		V70 II	2.4L L5 DSL	33-2176	
S40 I	2.0L L4 F/I	33-2763 ♦		V70 II	2.4L L5 F/I	33-2176	PS-7002
S60	2.4L L5 DSL	33-2176		V70 II	2.5L L5 DSL	33-2176	
S60	2.4L L5 F/I	33-2176	PS-7002	XC70 Cross Country	2.4L L5 F/I	33-2176	PS-7002
S60	2.5L L5 F/I	33-2176	PS-7002	2000 VOLVO			
S80	2.5L L5 F/I	33-2152		C70	2.4L L5 F/I	33-2670	
S80	2.9L L6 F/I	33-2152	PS-7002	C70 I	2.4L L5 F/I	33-2670 ♦	
V40	1.9L L4 DSL	33-2763		S40	1.9L L4 F/I	33-2763	
V40	1.9L L4 F/I	33-2763		S40 I	1.9L L4 DSL	33-2763	
V40	2.0L L4 F/I	33-2763 ♦		S40 I	1.9L L4 F/I	33-2763 ♦	
V70	2.4L L5 F/I	33-2176	PS-7002	S70	2.0L L5 F/I	33-2670	
V70 II	2.4L L5 DSL	33-2176		S70	2.3L L5 F/I	33-2670	PS-7002
V70 II	2.4L L5 F/I	33-2176	PS-7002	S70	2.4L L5 F/I	33-2670	PS-7002
V70 II	2.5L L5 F/I - 300BHP	E-2019		S70	2.5L L5 DSL	33-2670	
V70 II	2.5L L5 F/I - Exc., 300BHP	33-2176		S70	2.5L L5 F/I	33-2670	
XC70 Cross Country	2.5L L5 F/I	33-2176	PS-7002	S80	2.8L L6 F/I	33-2152	PS-7002
XC90	2.5L L5 F/I	33-2280		S80	2.9L L6 F/I	33-2152	PS-7002
XC90	2.9L L6 F/I	33-2280	PS-7002	V40	1.9L L4 DSL	33-2763	
2002 VOLVO				V40	1.9L L4 F/I	33-2763 ♦	PS-7002
C70	2.3L L5 F/I	33-2670	PS-7002	V70	2.3L L5 F/I	33-2670	PS-7002
C70	2.4L L5 F/I	33-2670		V70	2.4L L5 F/I	33-2670	PS-7002
C70 I	2.3L L5 F/I	33-2670	PS-7002	V70 I	2.3L L5 F/I	33-2670	PS-7002
C70 I	2.4L L5 F/I	33-2670 ♦		V70 I	2.4L L5 F/I	33-2670	PS-7002
S40	1.9L L4 F/I	33-2763	PS-7002	V70 I	2.5L L5 DSL	33-2670	
S40 I	1.9L L4 DSL	33-2763		V70 I	2.5L L5 F/I	33-2670	
S60	2.0L L5 F/I	33-2176		V70 II	2.4L L5 F/I	33-2176	PS-7002
S60	2.3L L5 F/I	33-2176	PS-7002	XC70 Cross Country	2.4L L5 F/I	33-2176	
S60	2.4L L5 DSL	33-2176		1999 VOLVO			
S60	2.4L L5 F/I	33-2176	PS-7002	C70	2.4L L5 F/I	33-2670	
S60	2.4L L5 F/I	33-2176	PS-7002	C70 I	2.4L L5 F/I	33-2670 ♦	
				S70	2.3L L5 F/I	33-2670 ♦	PS-7002

* 2 filters required ♦ Intake System Available - see page 81 +Cabin Air Filter Available - see page 453 1- Pro Series Filter Available

AIR & OIL FILTERS

VOLVO

Vehicle	Engine Type	Air Filter	Oil Filter
1999 VOLVO			
S70	2.4L L5 F/I	33-2670	HP-2004 ¹
S70	2.5L L5 DSL	33-2670	
S70	2.5L L5 F/I	33-2670	
S80	2.8L L6 F/I	33-2152	PS-7002
S80	2.9L L6 F/I	33-2152	PS-7002
V70	2.3L L5 F/I	33-2670	PS-7002
V70	2.4L L5 F/I	33-2670	HP-2004 ¹
V70 I	2.3L L5 F/I	33-2670 ♦	HP-2004 ¹
V70 I	2.4L L5 F/I	33-2670	PS-7002
V70 I	2.5L L5 DSL	33-2670	
V70 I	2.5L L5 F/I	33-2670	

1998 VOLVO			
C70	2.3L L5 F/I	33-2670	PS-7002
C70	2.4L L5 F/I	33-2670	PS-7002
C70 I	2.3L L5 F/I	33-2670	PS-7002
C70 I	2.4L L5 F/I	33-2670	
C70 I	2.4L L5 F/I - Exc. Turbo	33-2670	HP-2004 ¹
C70 I	2.4L L5 F/I - Turbo	33-2670	PS-7002
S70	2.0L L5 F/I	33-2670	
S70	2.3L L5 F/I	33-2670 ♦	HP-2004 ¹
S70	2.4L L5 F/I	33-2670	HP-2004 ¹
S70	2.5L L5 DSL	33-2670	
S70	2.5L L5 F/I	33-2670	
S90	2.9L L6 F/I	33-2755	
V70	2.3L L5 F/I	33-2670	HP-2004 ¹
V70	2.4L L5 F/I	33-2670	HP-2004 ¹
V70 I	2.3L L5 F/I	33-2670 ♦	HP-2004 ¹
V70 I	2.4L L5 F/I	33-2670	
V70 I	2.5L L5 DSL	33-2670	
V70 I	2.5L L5 F/I	33-2670	

1997 VOLVO			
850	2.3L L5 F/I	33-2670	HP-2004 ¹
850	2.4L L5 F/I	33-2670	HP-2004 ¹
960	2.9L L6 F/I		HP-2004 ¹
S90	2.9L L6 F/I	33-2755	
V90	2.9L L6 F/I	33-2755	

1996 VOLVO			
850	2.3L L5 F/I	33-2670 ♦	HP-2004 ¹
850	2.4L L5 F/I	33-2670	HP-2004 ¹
850	2.5L L5 DSL	33-2670	

1995 VOLVO			
850	2.3L L5 F/I	33-2670 ♦	HP-2004 ¹
850	2.4L L5 F/I	33-2670	HP-2004 ¹
850	2.5L L5 DSL	33-2670	
940	2.3L L4 F/I		HP-1002 ¹
940	2.3L L4 F/I - Exc. Turbo	33-2526	HP-1002
940	2.3L L4 F/I - Turbo	33-2043	HP-1002
960	2.9L L6 F/I	33-2526	

1994 VOLVO			
850	2.3L L5 F/I	33-2670 ♦	HP-2004 ¹
850	2.4L L5 F/I	33-2670	HP-2004 ¹
940	2.3L L4 F/I		HP-1002 ¹
940	2.3L L4 F/I - Exc. Turbo	33-2526	HP-1002
940	2.3L L4 F/I - Turbo	33-2043	HP-1002

1993 VOLVO			
240	2.3L L4 F/I	33-2538	HP-2004 ¹
850	2.4L L5 F/I	33-2670	
940	2.3L L4 F/I		HP-1002 ¹
940	2.3L L4 F/I - Exc. Turbo	33-2526	HP-1002
940	2.3L L4 F/I - Turbo	33-2043	HP-1002

Vehicle	Engine Type	Air Filter	Oil Filter
1992 VOLVO			
240	2.3L L4 F/I	33-2538	HP-2004 ¹
940	2.3L L4 F/I		HP-1002 ¹
940	2.3L L4 F/I - Exc. Turbo	33-2526	HP-1002
940	2.3L L4 F/I - Turbo	33-2043	HP-1002
960	2.9L L6 F/I		HP-2004 ¹
1991 VOLVO			
240	2.3L L4 F/I	33-2538	HP-2004 ¹
740	2.3L L4 F/I		HP-2004 ¹
740	2.3L L4 F/I - Exc. Turbo	33-2526	HP-2004
740	2.3L L4 F/I - Turbo	33-2043	HP-2004
940	2.3L L4 F/I - Exc. Turbo	33-2526	
940	2.3L L4 F/I - Turbo	33-2043	

1990 VOLVO			
240	2.3L L4 F/I	33-2538	HP-2004 ¹
740	2.3L L4 F/I		HP-2004 ¹
740	2.3L L4 F/I - Exc. Turbo	33-2526	HP-2004
740	2.3L L4 F/I - Turbo	33-2043	HP-2004

1989 VOLVO			
244	2.3L L4 F/I - 133BHP	33-2538	
740	2.3L L4 F/I		HP-2004 ¹
740	2.3L L4 F/I - Exc. Turbo	33-2526	HP-2004
740	2.3L L4 F/I - Turbo	33-2043	HP-2004

1988 VOLVO			
242	2.3L L4 F/I - 133BHP	33-2538	
245	2.3L L4 F/I - 133BHP	33-2538	

1987 VOLVO			
740	2.3L L4 F/I		HP-2004 ¹
740	2.3L L4 F/I - Exc. Turbo	33-2526	HP-2004
740	2.3L L4 F/I - Turbo	33-2043	HP-2004

1985 VOLVO			
244	2.3L L4 F/I	33-2538	

1984 VOLVO			
244	2.3L L4 F/I	33-2538	

1973 VOLVO			
1800	2.0L L4 F/I	E-2530	

1971 VOLVO			
1800	2.0L L4 F/I	E-2530	

1967 VOLVO			
122	112 L4 CARB		HP-2004 ¹

1966 VOLVO			
122	109 L4 CARB		HP-2004 ¹

2016 YAMAHA			
FJ-09	847	YA-8514	
FZ-07	689	YA-6814	
FZ-09	847	YA-8514	
SR400	400	YA-5008	
XVS950 Bolt R-Spec	942	YA-9514	
YFM700R Raptor	700	YA-7006	
YFM700R Raptor SE	700	YA-7006	
YZ250F	250	YA-4514XD	
YZ450F	450	YA-4514XD	
YZF R6	599	YA-6008	
YZF R6	599 - Race Specific	YA-6008R	

2015 YAMAHA			
FJ-09	847	YA-8514	KN-204
FJR1300A	1300	YA-1301	KN-204
FJR1300AE	1300	YA-1301	KN-204
FJR1300AS	1300	YA-1301	KN-204

* 2 filters required ♦ Intake System Available - see page 81 +Cabin Air Filter Available - see page 453 1- Pro Series Filter Available

YAMAHA

AIR & OIL FILTERS

Vehicle	Engine Type	Air Filter	Oil Filter	Vehicle	Engine Type	Air Filter	Oil Filter
2015 YAMAHA				2015 YAMAHA			
FJR1300ES	1300	YA-1301	KN-204	YFZ450R SE	449	YA-4504	KN-140
FZ1	1000	YA-1006	KN-204	YP250 X-Max	250	YA-2406	
FZ1 Fazer	998	YA-1006		YW125 Zuma	125	YA-1209	
FZ6R	600	YA-6009	KN-204	YXM700 Viking FI 4x4	686		KN-204
FZ-07	689	YA-6814	KN-204	YXM700 Viking FI 4x4 EPS	686		KN-204
FZ8	800	YA-1006		YXM700 Viking FI 4x4 EPS SE	686		KN-204
FZ-09	847	YA-8514	KN-204	YXM700 Viking FI 4x4 EPS w/Suntop	686		KN-204
MT-07	689	YA-6814		YXM700 Viking FI 4x4 w/Suntop	686		KN-204
MT09	847	YA-8514		YXM700 Viking VI	686		KN-204
MT125	125	YA-1208		YXM700 Viking VI EPS	686		KN-204
SR400	400	YA-5008	KN-145	YXM700 Viking VI EPS	686		KN-204
SR10LS SR Viper	1049		KN-147	YXM700 Viking VI	686		KN-204
LTX SE				YXM700 Viking VI	686		KN-204
T-Max	530		KN-147	YXM700 Viking VI	686		KN-204
TTR125LE	124	YA-1201		YXM700 Viking VI	686		KN-204
TTR230	223	YA-2305	KN-143	YXM700 Viking VI	686		KN-204
TW200	200	YA-2002	KN-143	YZ85	85	YA-8502	
VMX1700 V-Max	1700	YA-1709	KN-303	YZ125	125	YA-2506XD	
VX1100 WaveRunner Cruiser	1100		KN-204	YZ250	250	YA-2506XD	
VX1100 WaveRunner Deluxe	1100		KN-204	YZ250F	250	YA-4514XD	KN-140
VX1100 WaveRunner Sport	1100		KN-204	YZ250FX	250	YA-4514XD	KN-140
WR125R	125	YA-1208		YZ450F	450	YA-4514XD	KN-140
WR125X	125	YA-1208		YZF 450R SE	449		KN-140
WR250F	250	YA-4514XD	KN-140	YZF R1	998		KN-204
WR250R	250	YA-3586	KN-140	YZF R1M	998		KN-204
WR250X	250	YA-3586		YZF R3	321	YA-3215	KN-204
WR450F	450	YA-4503	KN-140	YZF R6	599	YA-6008	KN-204
XJ6 Diversion	600	YA-6009		YZF R6	599	- Race Specific	YA-6008R
XJR1300	1251	YA-1308		YZF R125	125	YA-1208	KN-141
XT250	250	YA-2509	KN-140	2014 YAMAHA			
XT660R	660	YA-6604		FJR1300A	1300	YA-1301	KN-204
XT660X	660	YA-6604		FJR1300AE	1300	YA-1301	KN-204
XTZ1200 Super Tenere	1199	YA-1210	KN-204	FJR1300AS	1300	YA-1301	KN-204
XTZ1200 Super Tenere ES	1199	YA-1210	KN-204	FJR1300ES	1300	YA-1301	KN-204
XV19C Raider Bullet Cowl	1854	YA-1906	KN-204	FX10XT FX Nytro	1049		KN-147
XV250 V-Star	250	YA-2588	KN-145	XTX 1.75			
XV1900 Raider	1854	YA-1906	KN-204	FZ1	1000	YA-1006	KN-204
XV1900 Raider S	1854	YA-1906	KN-204	FZ1 Fazer	998	YA-1006	
XVS13CA Stryker	1300	YA-1307	KN-204	FZ6R	600	YA-6009	KN-204
XVS650 V-Star	650	YA-6598	KN-145	FZ8	800	YA-1006	KN-204
XVS950 Bolt	942	YA-9514	KN-204	FZ-09	847	YA-8514	KN-204
XVS950 Bolt C-Spec	942	YA-9514	KN-204	MT-07	689	YA-6814	KN-204
XVS950 Bolt R-Spec	942	YA-9514	KN-204	MT09	847	YA-8514	
XVS950 V-Star Tourer	942	YA-1307	KN-204	SR Viper	1049		KN-147
XVS1300 V-Star	1300	YA-1307	KN-204	SR Viper LTX	1049		KN-147
XVS1300 V-Star Deluxe	1300	YA-1307	KN-204	SR Viper LTX SE	1049		KN-147
XVS1300 V-Star Tourer	1300	YA-1307	KN-204	SR Viper RTX SE	1049		KN-147
YFM700 Raptor	700	YA-7006	KN-145	SR Viper XTX SE	1049		KN-147
YFM700F Grizzly FI Auto 4x4	686	YA-7007	KN-204	SR400	400	YA-5008	
YFM700F Grizzly FI Auto 4x4 EPS	686	YA-7007	KN-204	TTR125LE	124	YA-1201	
YFM700F Grizzly FI Auto 4x4 EPS SE	686	YA-7007	KN-204	TTR230	223	YA-2305	KN-143
YFM700R Raptor	700	YA-7006	KN-145	TW200	200	YA-2002	KN-143
YFM700R Raptor SE	700	YA-7006	KN-145	VK10 RS Viking Professional	973		KN-147
YFZ450R	449	YA-4504	KN-140	VMX1700 V-Max	1700	YA-1709	KN-303
				VX1100 WaveRunner Cruiser	1100		KN-204
				VX1100 WaveRunner Deluxe	1100		KN-204
				VX1100 WaveRunner Sport	1100		KN-204
				WR125R	125	YA-1208	
				WR125X	125	YA-1208	
				WR250R	250	YA-3586	KN-140

* 2 filters required ♦ Intake System Available - see page 81 +Cabin Air Filter Available - see page 453 1- Pro Series Filter Available

AIR & OIL FILTERS

YAMAHA

Vehicle	Engine Type	Air Filter	Oil Filter	Vehicle	Engine Type	Air Filter	Oil Filter
2014 YAMAHA				2014 YAMAHA			
WR250X	250	YA-3586		YXM700 Viking FI 4x4 w/Suntop	686		KN-204
WR450F	450	YA-4503	KN-140	YZ125	125	YA-2506XD	
XJR1300	1251	YA-1308		YZ250	250	YA-2506XD	
XT250	250	YA-2509	KN-140	YZ250F	250	YA-4514XD	KN-140
XT660R	660	YA-6604		YZ450F	450	YA-4514XD	KN-140
XT660Z Tenere	660	YA-6608		YZF R1	998	YA-1009	KN-204
XTZ1200 Super Tenere	1199	YA-1210	KN-204	YZF R1	998 - Race Specific	YA-1009R	KN-204
XTZ1200 Super Tenere ES	1199	YA-1210	KN-204	YZF R6	599	YA-6008	KN-204
XV19C Raider SCL	1854	YA-1906	KN-204	YZF R6	599 - Race Specific	YA-6008R	KN-204
XV250 V-Star	250	YA-2588	KN-145	YZF R125	125	YA-1208	KN-141
XV1700 Road Star S	1700		KN-303	2013 YAMAHA			
XV1700 Road Star Silverado S	1700	YA-1704	KN-303	FJR1300	1300	YA-1301	KN-204
XV1900 Raider	1854	YA-1906	KN-204	FJR1300A	1300	YA-1301	KN-204
XV1900 Raider S	1854	YA-1906	KN-204	FX10XT FX Nytro	1049		KN-147
XV1900 Roadliner S	1854	YA-1906	KN-204	XTX			
XV1900 Stratoliner Deluxe	1854	YA-1906	KN-204	FX10XT FX Nytro	1049		KN-147
XV1900 Stratoliner S	1854	YA-1906	KN-204	XTX 1.75			
XVS13CA Stryker	1300	YA-1307	KN-204	FZ1	1000	YA-1006	KN-204
XVS650 V-Star	650	YA-6598	KN-145	FZ1 Fazer	998	YA-1006	KN-204
XVS950 Bolt	942	YA-9514	KN-204	FZ6R	600	YA-6009	KN-204
XVS950 Bolt R-Spec	942	YA-9514	KN-204	FZ8	800	YA-1006	KN-204
XVS950 V-Star	942	YA-1307	KN-204	TDM900A	897	YA-9002	
XVS950 V-Star Tourer	942	YA-1307	KN-204	TTR125LE	124	YA-1201	
XVS1300 V-Star	1300	YA-1307	KN-204	TTR230	223	YA-2305	KN-143
XVS1300 V-Star Deluxe	1300	YA-1307	KN-204	TW200	200	YA-2002	KN-143
XVS1300 V-Star Tourer	1300	YA-1307	KN-204	VMX1700 V-Max	1700	YA-1709	KN-303
YBR125 Custom	124	YA-1213		VX1100 WaveRunner Cruiser	1100		KN-204
YFM350 Grizzly Auto	350	YA-3504	KN-204	VX1100 WaveRunner Deluxe	1100		KN-204
YFM350 Grizzly Auto 4x4	350	YA-3504	KN-204	WR125R	125	YA-1208	
YFM450 Grizzly Auto	450	YA-3504	KN-204	WR125X	125	YA-1208	
YFM450 Grizzly EPS	450	YA-3504	KN-204	WR250F	250	YA-4503	KN-140
YFM450 Grizzly EPS Hunter	450	YA-3504	KN-204	WR250R	250	YA-3586	KN-140
YFM550F Grizzly FI Auto 4x4	558	YA-7007	KN-204	WR450F	450	YA-4503	KN-140
YFM550F Grizzly FI Auto 4x4 EPS	558	YA-7007	KN-204	XJ6	600	YA-6009	
YFM700 Raptor	700	YA-7006	KN-145	XJ6 Diversion	600	YA-6009	
YFM700F Grizzly FI Auto 4x4	686	YA-7007	KN-204	XP500 T-Max	500	YA-5008	
YFM700F Grizzly FI Auto 4x4 EPS	686	YA-7007	KN-204	XP530 T-Max	530	YA-5008	
YFM700F Grizzly FI Auto 4x4 EPS SE	686	YA-7007	KN-204	XT250	250	YA-2509	KN-140
YFM700R Raptor	700	YA-7006	KN-145	XT660R	660	YA-6604	
YFM700R Raptor SE	700	YA-7006	KN-145	XT660Z Tenere	660	YA-6608	
YFZ450R	449	YA-4504	KN-140	XTZ1200 Super Tenere	1199	YA-1210	KN-204
YFZ450R SE	449	YA-4504	KN-140	XV19C Raider SCL	1854		KN-204
YP400 Majesty	400		KN-132	XV250 V-Star	250	YA-2588	KN-145
YW125 Zuma	125	YA-1209		XV1700 Road Star S	1700	YA-1704	KN-303
YXM700 Viking FI 4x4	686		KN-204	XV1700 Road Star Silverado S	1700	YA-1704	KN-303
YXM700 Viking FI 4x4 EPS	686		KN-204	XV1900 Raider	1854	YA-1906	KN-204
YXM700 Viking FI 4x4 EPS SE	686		KN-204	XV1900 Raider S	1854	YA-1906	KN-204
YXM700 Viking FI 4x4 EPS w/Suntop	686		KN-204	XV1900 Roadliner	1854	YA-1906	KN-204
				XV1900 Stratoliner	1854	YA-1906	KN-204
				XVS13CA Stryker	1300	YA-1307	KN-204
				XVS650 V-Star	650	YA-6598	KN-145
				XVS950 V-Star	942	YA-1307	KN-204
				XVS950 V-Star Tourer	942	YA-1307	KN-204
				XVS1300 V-Star	1300	YA-1307	KN-204
				XVS1300 V-Star Deluxe	1300	YA-1307	KN-204
				XVS1300 V-Star Tourer	1300	YA-1307	KN-204

* 2 filters required ♦ Intake System Available - see page 81 +Cabin Air Filter Available - see page 453 1- Pro Series Filter Available

YAMAHA

AIR & OIL FILTERS

Vehicle	Engine Type	Air Filter	Oil Filter	Vehicle	Engine Type	Air Filter	Oil Filter
2013 YAMAHA				2012 YAMAHA			
XVZ1300 Royal Star Venture S	1300	YA-1399	KN-303	WR250X	250	YA-3586	
YFM125 Grizzly	124	YA-2088		WR450F	450	YA-4503	KN-140
YFM125 Raptor	124	YA-2088		XJ6	600	YA-6009	KN-204
YFM350 Grizzly Auto 4x4	350	YA-3504	KN-204	XJ6 Diversion	600	YA-6009	KN-204
YFM350R Raptor	350	YA-6602	KN-142	XP500 T-Max	500	YA-5008	
YFM450 Grizzly	450	YA-3504	KN-204	XP530 T-Max	530	YA-5008	
YFM450 Grizzly Auto	450	YA-3504	KN-204	XT250	250	YA-2509	KN-140
YFM450 Grizzly EPS	450	YA-3504	KN-204	XT660R	660	YA-6604	
YFM450 Grizzly EPS Hunter	450	YA-3504	KN-204	XT660Z Tenere	660	YA-6608	
YFM450 Grizzly Hunter	450	YA-3504	KN-204	XTZ1200 Super Tenere	1199	YA-1210	KN-204
YFM550F Grizzly FI Auto 4x4	558	YA-7007	KN-204	XV19C Raider SCL	1854		KN-204
YFM550F Grizzly FI Auto 4x4 EPS	558	YA-7007	KN-204	XV250 V-Star	250	YA-2588	KN-145
YFM700 Raptor	700	YA-7006	KN-145	XV1700 Road Star S	1700	YA-1704	KN-303
YFM700F Grizzly FI Auto 4x4	686	YA-7007	KN-204	XV1700 Road Star Silverado S	1700	YA-1704	KN-303
YFM700F Grizzly FI Auto 4x4 EPS	686	YA-7007	KN-204	XV1900 Raider	1854	YA-1906	KN-204
YFM700F Grizzly FI Auto 4x4 EPS SE	686	YA-7007	KN-204	XV1900 Raider S	1854	YA-1906	KN-204
YFM700R Raptor	700	YA-7006	KN-145	XV1900 Roadliner	1854	YA-1906	KN-204
YFM700R Raptor SE	700	YA-7006	KN-145	XV1900 Stratoliner Deluxe	1854	YA-1906	KN-204
YFM250 Raptor	249	YA-2088	KN-140	XV1900 Stratoliner S	1854	YA-1906	KN-204
YFZ450	449	YA-4504	KN-140	XVS13CA Stryker	1300	YA-1307	KN-204
YFZ450R	449	YA-4504	KN-140	XVS950 V-Star	942	YA-1307	KN-204
YFZ450R SE	449	YA-4504	KN-140	XVS950 V-Star Tourer	942	YA-1307	KN-204
YP400 Majesty	400		KN-132	XVS1300 V-Star	1300	YA-1307	KN-204
YW125 Zuma	125	YA-1209		XVS1300 V-Star Tourer	1300	YA-1307	KN-204
YXR700 Rhino FI	700	YA-7008	KN-204	XVZ1300 Royal Star Venture S	1300	YA-1399	KN-303
YXR700 Rhino FI Auto 4x4 Special Ed.	700	YA-7008	KN-204	YFM125 Grizzly	124	YA-2088	
YXR700 Rhino FI Auto 4x4 Sport Ed.	700	YA-7008	KN-204	YFM125 Raptor	124	YA-2088	
YZ125	125	YA-2506XD		YFM350 Grizzly Auto 4x4	350	YA-3504	KN-204
YZ250	250	YA-2506XD		YFM350 Grizzly Auto 4x4 IRS	350	YA-3504	KN-204
YZ250F	250	YA-2506XD	KN-140	YFM350R Raptor	350	YA-6602	
YZ450F	450	YA-4510	KN-140	YFM400 Big Bear IRS 4x4	400	YA-4001	KN-142
YZF R1	998	YA-1009	KN-204	YFM450 Grizzly Auto	450	YA-3504	KN-204
YZF R1	998 - Race Specific	YA-1009R	KN-204	YFM450 Grizzly Auto EPS	450	YA-3504	KN-204
YZF R6	599	YA-6008	KN-204	YFM550F Grizzly FI Auto 4x4 EPS	550	YA-7007	KN-204
YZF R6	599 - Race Specific	YA-6008R	KN-204	YFM700F Grizzly FI Auto 4x4	686	YA-7007	KN-204
YZF R125	125	YA-1208	KN-141	YFM700F Grizzly FI Auto 4x4 EPS	686	YA-7007	KN-204
2012 YAMAHA				2012 YAMAHA			
FJR1300A	1300	YA-1301	KN-204	YFM700F Grizzly FI Auto 4x4 EPS SE	686	YA-7007	KN-204
FX10M FX Nytro MTX 153	1049		KN-147	YFM700R Raptor	700	YA-7006	KN-145
FZ1	1000	YA-1006	KN-204	YFM700R Raptor SE	700	YA-7006	KN-145
FZ1 Fazer	998	YA-1006	KN-204	YFM250 Raptor	249	YA-2088	
FZ6R	600	YA-6009	KN-204	YFZ450	449	YA-4504	KN-140
FZ8	800	YA-1006	KN-204	YFZ450R	449	YA-4504	KN-140
TTR230	223	YA-2305	KN-143	YFZ450R SE	449	YA-4504	KN-140
TW200	200	YA-2002	KN-143	YP400 Majesty	400		KN-132
VMX1700 V-Max	1700	YA-1709	KN-303	YW125 Zuma	125	YA-1209	
VX1100 WaveRunner Cruiser	1100		KN-204	YXR700 Rhino FI	700	YA-7008	KN-204
VX1100 WaveRunner Deluxe	1100		KN-204	YZ250F	250	YA-2506XD	KN-140
VX1100 WaveRunner Sport	1100		KN-204	YZ450F	450	YA-4510	KN-140
WR250F	250	YA-4503	KN-140	YZF R1	998	YA-1009	KN-204
WR250R	250	YA-3586	KN-140	YZF R1	998 - Race Specific	YA-1009R	KN-204
				YZF R6	599	YA-6008	KN-204
				YZF R6	599 - Race Specific	YA-6008R	KN-204

* 2 filters required ♦ Intake System Available - see page 81 +Cabin Air Filter Available - see page 453 1- Pro Series Filter Available

AIR & OIL FILTERS

YAMAHA

Vehicle	Engine Type	Air Filter	Oil Filter	Vehicle	Engine Type	Air Filter	Oil Filter
2012 YAMAHA				2011 YAMAHA			
YZF R125	125	YA-1208	KN-141	YZ250F	250	YA-2506XD	KN-140
2011 YAMAHA				YZ450F	450	YA-4510	KN-140
FJR1300A	1300	YA-1301	KN-204	YZF R1	998	YA-1009	KN-204
FJR1300AS	1300	YA-1301	KN-204	YZF R1	998 - Race Specific	YA-1009R	KN-204
FZ1	1000	YA-1006	KN-204	YZF R6	599	YA-6008	KN-204
FZ1 Fazer	998	YA-1006		YZF R6	599 - Race Specific	YA-6008R	KN-204
FZ6R	600	YA-6009	KN-204	YZF R15	150 - to 9/11	YA-1208	
FZ8	800	YA-1006	KN-204	YZF R125	125	YA-1208	
FZ16	153	YA-1611		2010 YAMAHA			
FZ150 Fazer	153	YA-1611		FJR1300A	1300	YA-1301	KN-204
TTR230	223	YA-2305	KN-143	FJR1300AS	1300	YA-1301	KN-204
VMX1700 V-Max	1700	YA-1709		FZ1	1000	YA-1006	KN-204
VX1100 WaveRunner Cruiser	1100		KN-204	FZ6R	600	YA-6009	KN-204
VX1100 WaveRunner Deluxe	1100		KN-204	FZ16	153	YA-1611	
VX1100 WaveRunner Sport	1100		KN-204	FZ150 Fazer	153	YA-1611	
WR250R	250	YA-3586	KN-140	T135	135	YA-1306	
WR250X	250	YA-3586	KN-140	TW200	200	YA-2002	KN-143
WR450F	450	YA-4503	KN-140	VMX1700 V-Max	1700	YA-1709	KN-303
XP500 T-Max	500	YA-5008		VX1100 WaveRunner Cruiser	1100		KN-204
XT250	250	YA-2509	KN-140	VX1100 WaveRunner Deluxe	1100		KN-204
XT660Z Tenere	660	YA-6608		VX1100 WaveRunner VX	1100		KN-204
XV250 V-Star	250	YA-2588	KN-145	WR250R	250	YA-3586	KN-140
XV1700 Road Star Silverado S	1700		KN-303	WR250X	250	YA-3586	KN-140
XV1900 Raider	1854	YA-1906	KN-204	XP500 T-Max	500	YA-5008	KN-147
XV1900 Raider S	1854	YA-1906	KN-204	XT250	250	YA-2509	KN-140
XVS13CA Stryker	1300	YA-1307	KN-204	XT660R	660	YA-6604	KN-145
XVS650 V-Star Custom	650	YA-6598	KN-145	XT660Z Tenere	660	YA-6608	
XVS950 V-Star Tourer	942	YA-1307	KN-204	XTZ1200 Super Tenere	1199	YA-1210	
XVS1300 V-Star	1300	YA-1307	KN-204	XV250 V-Star	250	YA-2588	KN-145
XVS1300 V-Star Tourer	1300	YA-1307	KN-204	XV1700 Road Star S	1700		KN-303
XVZ1300 Royal Star Venture S	1300	YA-1399	KN-303	XV1700 Road Star Silverado	1700	YA-1704	KN-303
YFM125 Raptor	124	YA-2088		XV1700 Road Star Silverado S	1700	YA-1704	KN-303
YFM350 Grizzly Auto 4x4 IRS	350	YA-3504	KN-204	XV1900 Raider	1854	YA-1906	KN-303
YFM350R Raptor	350	YA-6602	KN-142	XV1900 Raider S	1854	YA-1906	KN-303
YFM400 Big Bear	400	YA-4001	KN-142	XV1900 Stratoliner Deluxe	1900	YA-1906	KN-303
IRS 4x4				XV1900 Stratoliner S	1900	YA-1906	KN-303
YFM450 Grizzly Auto 4x4	450	YA-3504	KN-204	XVS650 V-Star Classic	650	YA-6598	KN-145
YFM450 Grizzly Auto EPS	450	YA-3504	KN-204	XVS650 V-Star Custom	650	YA-6598	KN-145
YFM550F Grizzly FI Auto 4x4	558	YA-7007	KN-204	XVS950 V-Star	942	YA-1307	KN-204
YFM550F Grizzly FI Auto 4x4 EPS	558	YA-7007	KN-204	XVS950 V-Star Tourer	942	YA-1307	KN-204
YFM700F Grizzly FI Auto 4x4	686	YA-7007	KN-204	XVS1300 V-Star Tourer	1300	YA-1307	KN-204
YFM700F Grizzly FI Auto 4x4 EPS	686	YA-7007	KN-204	XVZ1300 Royal Star Venture S	1300	YA-1399	KN-303
YFM700R Raptor	700	YA-7006	KN-145	YFM350 Grizzly Auto 4x4	350	YA-3504	KN-204
YFM700R Raptor SE	700	YA-7006	KN-145	YFM350 Grizzly Auto 4x4 IRS	350	YA-3504	KN-204
YFM250 Raptor	249	YA-2088	KN-140	YFM350R Raptor	350	YA-6602	KN-142
YFZ450R	449	YA-4504	KN-140	YFM400 Big Bear	400	YA-4001	KN-142
YFZ450R SE	449	YA-4504	KN-140	IRS 4x4			
YW125 Zuma	125	YA-1209		YFM450 Grizzly Auto 4x4 IRS	450	YA-3504	KN-204
YXR700 Rhino FI	686	YA-7008	KN-204	YFM550F Grizzly FI Auto 4x4 EPS	558	YA-7007	KN-204
Auto 4x4 Sport Ed.				YFM700F Grizzly FI Auto 4x4	686	YA-7007	KN-204

* 2 filters required ♦ Intake System Available - see page 81 +Cabin Air Filter Available - see page 453 1- Pro Series Filter Available

Partial Listing - Complete List of Vehicles and Applications at knfilters.com

YAMAHA

AIR & OIL FILTERS

Vehicle	Engine Type	Air Filter	Oil Filter	Vehicle	Engine Type	Air Filter	Oil Filter
2010 YAMAHA				2009 YAMAHA			
YFM700F Grizzly FI Auto 4x4 EPS	686	YA-7007	KN-204	XV1700 Road Star	1700	YA-1704	KN-303
YFM700F Grizzly FI Auto 4x4 EPS SE	686	YA-7007	KN-204	XV1700 Road Star Midnight Warrior	1700	YA-1602	KN-303
YFM700R Raptor SE	700	YA-7006	KN-145	XV1700 Road Star S	1700	YA-1704	KN-303
YFM250 Raptor	249	YA-2088	KN-140	XV1700 Road Star Silverado	1700	YA-1704	KN-303
YFZ450R	449	YA-4504	KN-140	XV1700 Road Star Silverado S	1700	YA-1704	KN-303
YFZ450R SE	449	YA-4504	KN-140	XV1700 Road Star Warrior	1670	YA-1602	KN-303
YFZ450X	449	YA-4504	KN-140	XV1900 Raider	1900	YA-1906	KN-303
YFZ450X Bill Ballance	449	YA-4504	KN-140	XV1900 Raider S	1900	YA-1906	KN-303
YP400 Majesty	400		KN-132	XV1900 Roadliner S	1900	YA-1906	KN-303
YW125 Zuma	125	YA-1209		XV1900 Stratoliner	1900	YA-1906	KN-303
YXR700 Rhino FI	686	YA-7008	KN-204	XV1900 Stratoliner S	1900	YA-1906	KN-303
YZ250	250	YA-2506XD		XVS650 V-Star Classic	650	YA-6598	KN-145
YZ250F	250	YA-2506XD	KN-140	XVS650 V-Star Custom	650	YA-6598	KN-145
YZ450F	450	YA-4510	KN-140	XVS650 V-Star Silverado	650	YA-6598	KN-145
YZF R1	998	YA-1009	KN-204	XVS950 V-Star	942	YA-1307	KN-204
YZF R1	998 - Race Specific	YA-1009R	KN-204	XVS950 V-Star Tourer	942	YA-1307	KN-204
YZF R1 LE	998	YA-1009	KN-204	XVS1100 V-Star Classic	1100	YA-1199	KN-145
YZF R1 LE	998 - Race Specific	YA-1009R	KN-204	XVS1100 V-Star Custom	1100	YA-1199	KN-145
YZF R6	599	YA-6008	KN-204	XVS1100 V-Star Midnight Custom	1100	YA-1199	KN-145
YZF R6	599 - Race Specific	YA-6008R	KN-204	XVS1100 V-Star Silverado	1100	YA-1199	KN-145
YZF R6S	599	YA-6008	KN-303	XVS1300 V-Star	1300	YA-1307	KN-147
YZF R6S	599 - Race Specific	YA-6008R	KN-303	XVS1300 V-Star Tourer	1300	YA-1307	KN-147
YZF R15	150	YA-1208		XVZ1300 Royal Star	1300	YA-1399	KN-303
YZF R125	125	YA-1208		XVZ1300 Royal Star Tour Deluxe	1300	YA-1399	KN-303
2009 YAMAHA				2009 YAMAHA			
FJR1300A	1300	YA-1301	KN-148	XVZ1300 Royal Star Tour Deluxe S	1300	YA-1399	KN-303
FJR1300AE	1300	YA-1301	KN-148	XVZ1300 Royal Star Venture	1300	YA-1399	KN-303
FJR1300AS	1300	YA-1301	KN-148	XVZ1300 Royal Star Venture S	1300	YA-1399	KN-303
FX10 Nytro	998		KN-147	YFM350 Grizzly Auto 4x4	346	YA-3504	KN-204
FX10MTR Nytro MTX	1049		KN-147	YFM350 Grizzly Auto 4x4 IRS	346	YA-3504	KN-204
FX10RTR Nytro RTX	998		KN-147	YFM350R Raptor	350	YA-6602	KN-142
FX10RTRS Nytro RTX SE	1049		KN-147	YFM400 Big Bear	400	YA-4001	KN-142
FX10XT Nytro XTX	1049		KN-147	IRS 4x4			
FZ1	1000	YA-1006	KN-204	YFM450 Grizzly Auto 4x4	450	YA-3504	KN-204
FZ1 Fazer	998	YA-1006	KN-204	YFM450 Grizzly Auto 4x4 Hunter	450	YA-3504	KN-204
FZ6	600	YA-6004	KN-204	YFM450 Grizzly Auto 4x4 IRS	450	YA-3504	KN-204
FZ6 Fazer S2	600	YA-6004	KN-204	YFM450FX Wolverine Auto 4x4	450	YA-3504	KN-204
FZ6 S2	600	YA-6004	KN-204	YFM550F Grizzly FI Auto 4x4	558	YA-7007	KN-204
FZ6R	600	YA-6009	KN-204	YFM550F Grizzly FI Auto 4x4 EPS	558	YA-7007	KN-204
FZ16	153	YA-1611		YFM700F Grizzly FI Auto 4x4	686	YA-7007	KN-204
FZ150 Fazer	153	YA-1611		YFM700F Grizzly FI Auto 4x4 EPS SE	686	YA-7007	KN-204
MT01	1700	YA-1605		YFM700R Raptor	700	YA-7006	KN-145
T135	135	YA-1306					
TTR125LE	125	YA-1201					
TTR230	223	YA-2305	KN-143				
TW200	200	YA-2002	KN-143				
VMX1700 V-Max	1700	YA-1709	KN-303				
VX1100 WaveRunner Cruiser	1100		KN-204				
VX1100 WaveRunner Deluxe	1100		KN-204				
WR250F	250	YA-4503	KN-140				
WR250R	250	YA-3586	KN-140				
WR250X	250	YA-3586	KN-140				
WR450F	450	YA-4503	KN-140				
XJR1300	1251	YA-1308					
XP500 T-Max	500	YA-5008	KN-147				
XT250	250	YA-2509	KN-140				
XT660R	660	YA-6604					
XT660Z Tenere	660	YA-6608					
XV250 V-Star	250	YA-2588	KN-145				

* 2 filters required ♦ Intake System Available - see page 81 +Cabin Air Filter Available - see page 453 1- Pro Series Filter Available

AIR & OIL FILTERS

YAMAHA

Vehicle	Engine Type	Air Filter	Oil Filter	Vehicle	Engine Type	Air Filter	Oil Filter
2009 YAMAHA				2008 YAMAHA			
YFM700R Raptor SE	700	YA-7006	KN-145	WR250F	250	YA-4503	KN-141
YFM250 Raptor	249	YA-2088	KN-140	WR250R	250	YA-3586	KN-141
YFZ450	449	YA-4504	KN-140	WR250X	250	YA-3586	KN-141
YFZ450R	449	YA-4504	KN-140	WR450F	450	YA-4503	KN-141
YFZ450R SE	449	YA-4504	KN-140	XJR1300	1251	YA-1308	
YFZ450X Bill	449	YA-4504	KN-140	XP500 T-Max	500	YA-5008	
Ballance				XT250	250	YA-2509	KN-141
YJ125 Vino	125		KN-143	XT250X	250	YA-2509	KN-141
YP400 Majesty	400		KN-132	XT660Z Tenere	660	YA-6608	
YW125 Zuma	125	YA-1209		XV250 V-Star	250	YA-2588	KN-145
YXR450 Rhino Auto 4x4	450	YA-6504	KN-204	XV1700 Road Star	1700	YA-1704	KN-303
YXR700 Rhino FI	686	YA-7008	KN-204	XV1700 Road Star	1700	YA-1602	KN-303
YZ250	250	YA-2506XD		Midnight Warrior			
YZ250F	250	YA-2506XD	KN-140	XV1700 Road Star S	1700	YA-1704	KN-303
YZ450F	450	YA-2506XD	KN-140	XV1700 Road Star	1700	YA-1704	KN-303
YZF R1	998	YA-1009	KN-204	Silverado			
YZF R1	998 - Race Specific	YA-1009R	KN-204	XV1700 Road Star	1700	YA-1704	KN-303
YZF R6	599	YA-6008	KN-204	Silverado S			
YZF R6	599 - Race Specific	YA-6008R	KN-204	XV1700 Road Star	1670	YA-1602	KN-303
YZF R6S	599	YA-6001	KN-303	Warrior			
YZF R15	150	YA-1208		XV1900 Raider	1900	YA-1906	KN-303
YZF R125	125	YA-1208	KN-141	XV1900 Raider S	1900	YA-1906	KN-303
2008 YAMAHA				XV1900 Roadliner	1900	YA-1906	KN-303
FJR1300A	1300	YA-1301	KN-148	Midnight			
FJR1300AE	1300	YA-1301	KN-148	XV1900 Stratoliner	1900	YA-1906	
FJR1300AS	1300	YA-1301	KN-148	Midnight			
FX10 Nytro	998		KN-147	XV1900 Stratoliner S	1900	YA-1906	KN-303
FX10MT Nytro MTX	998		KN-147	XVS650 V-Star	650	YA-6598	KN-145
FX10RT Nytro RTX	1049		KN-147	Classic			
FX1000 WaveRunner Cruiser	998		KN-204	XVS650 V-Star	650	YA-6598	KN-145
FX1000 WaveRunner	998		KN-204	Custom			
FX				XVS650 V-Star	650	YA-6598	KN-145
FX1100 WaveRunner	998		KN-204	Silverado			
H.O.				XVS1100 V-Star	1100	YA-1199	KN-145
FZ1	1000	YA-1006	KN-204	Classic			
FZ1 Fazer	998	YA-1006	KN-204	XVS1100 V-Star	1100	YA-1199	KN-145
FZ1N	1000	YA-1006	KN-204	Custom			
FZ1S	1000	YA-1006	KN-204	XVS1100 V-Star	1100	YA-1199	KN-145
FZ6	600	YA-6004	KN-204	Silverado			
FZ6 Fazer S2	600	YA-6004	KN-204	XVS1300 V-Star	1300	YA-1307	KN-147
FZ6 S2	600	YA-6004	KN-204	XVS1300 V-Star	1300	YA-1307	KN-147
FZ6N	600	YA-6004	KN-204	Tourer			
FZ6S	600	YA-6004	KN-204	XVZ1300 Royal Star	1300	YA-1399	KN-303
FZ16	153	YA-1611		Tour Deluxe			
SR400	400	YA-4092		XVZ1300 Royal Star	1300	YA-1399	KN-303
SXT1100 AR230	998		KN-204	Tour Deluxe S			
H.O. Eng 1				XVZ1300 Royal Star	1300	YA-1399	KN-303
SXT1100 SX230 H.O.	998		KN-204	Venture			
SXT1100 SX230 H.O. Eng 2	998		KN-204	XVZ1300 Royal Star	1300	YA-1399	KN-303
T135	135	YA-1306		Venture S			
TTR125L	125	YA-1201		YFM50 Raptor	50	YA-8002	
TTR125LE	125	YA-1201		YFM80 Raptor	80	YA-8002	
TTR230	223	YA-2305	KN-143	YFM250 Big Bear	230	YA-4001	KN-143
TW200	200	YA-2002	KN-143	YFM250 Raptor SE	249	YA-2088	KN-140
VX1100 WaveRunner Cruiser	998		KN-204	YFM250 Raptor SE	249	YA-2088	KN-140
VX1100 WaveRunner Deluxe	998		KN-204	Custom			
VX1100 WaveRunner Sport	998		KN-204	YFM350 Grizzly Auto	346	YA-3504	KN-204
VX1100 WaveRunner VX	998		KN-204	2x4			
				YFM350 Grizzly Auto	346	YA-3504	KN-204
				4x4			
				YFM350 Grizzly Auto	346	YA-3504	KN-204
				4x4 IRS			
				YFM350R Raptor	348	YA-6602	KN-142
				YFM350X Wolverine	350	YA-3504	KN-204
				2x4			
				YFM400 Big Bear	400	YA-4001	KN-142
				IRS 4x4			

* 2 filters required ♦ Intake System Available - see page 81 +Cabin Air Filter Available - see page 453 1- Pro Series Filter Available

Partial Listing - Complete List of Vehicles and Applications at knfilters.com

YAMAHA

AIR & OIL FILTERS

Vehicle	Engine Type	Air Filter	Oil Filter	Vehicle	Engine Type	Air Filter	Oil Filter
2008 YAMAHA				2007 YAMAHA			
YFM400 Grizzly Auto 4x4	400	YA-3504	KN-204	VX1100 WaveRunner Deluxe	998		KN-303
YFM450 Grizzly Auto 4x4	450	YA-3504	KN-204	VX1100 WaveRunner Sport	998		KN-303
YFM450FX Wolverine 4x4	450	YA-3504	KN-204	VX1100 WaveRunner VX	998		KN-303
YFM660 Grizzly Auto 4x4	660	YA-6602	KN-204	WR250F	250	YA-4503	KN-141
YFM700F Grizzly FI Auto 4x4	686	YA-7007	KN-204	WR250R	250	YA-3586	KN-141
YFM700F Grizzly FI Auto 4x4 EPS	686	YA-7007	KN-204	WR450F	450	YA-4503	KN-141
YFM700R Raptor	700	YA-7006	KN-145	XJR1300	1251	YA-1308	
YFM700R Raptor SE	700	YA-7006	KN-145	XP500 T-Max Special	500	YA-5001	
YFM250 Raptor	249	YA-2088	KN-140	XT225	225	YA-2292	KN-143
YFZ450	449	YA-4504	KN-140	XT660R	660	YA-6604	
YFZ450 SE	449	YA-4504	KN-140	XV250 Virago	250	YA-2588	KN-145
YFZ450R SE	449	YA-4504	KN-140	XV1700 Road Star	1700	YA-1704	KN-303
YP250 X-Max	250	YA-2406		XV1700 Road Star Midnight	1700	YA-1704	KN-303
YXR450 Rhino Auto 4x4	450	YA-6504	KN-204	XV1700 Road Star Midnight Silverado	1700	YA-1704	KN-303
YXR450 Rhino Auto 4x4 Special Ed.	450	YA-6504	KN-204	XV1700 Road Star Midnight Warrior	1700	YA-1602	KN-303
YXR700 Rhino FI	686	YA-7008	KN-204	XV1700 Road Star Silverado	1700	YA-1704	KN-303
YZ250	250	YA-2506XD	KN-141	XV1700 Road Star Warrior	1670	YA-1602	KN-303
YZ250F	250	YA-2506XD	KN-141	XV1900 Roadliner	1900	YA-1906	KN-303
YZ450F	450	YA-2506XD	KN-141	XV1900 Roadliner Midnight	1900	YA-1906	KN-303
YZF R1	998	YA-1007	KN-204	XV1900 Roadliner S	1900	YA-1906	KN-303
YZF R6	599	YA-6008	KN-204	XV1900 Stratoliner	1900	YA-1906	KN-303
YZF R6	599 - Race Specific	YA-6008R	KN-204	XV1900 Stratoliner Midnight	1900	YA-1906	KN-303
YZF R6S	599	YA-6001	KN-303	XV1900 Stratoliner S	1900	YA-1906	KN-303
YZF R15	150	YA-1208		XVS650 V-Star Classic	650	YA-6598	KN-145
YZF R125	125	YA-1208	KN-141	XVS650 V-Star Custom	650	YA-6598	KN-145
2007 YAMAHA				2007 YAMAHA			
FJR1300A	1300	YA-1301	KN-148	XVS650 V-Star Custom	650	YA-6598	KN-145
FJR1300AE	1300		KN-148	XVS650 V-Star Midnight Custom	650	YA-6598	
FJR1300AS	1300	YA-1301	KN-148	XVS650 V-Star Silverado	650	YA-6598	KN-145
FRT1100 SX210	998		KN-303	XVS1100 V-Star Classic	1100	YA-1199	KN-145
FRT1100 SX210 Eng 2	998		KN-303	XVS1100 V-Star Custom	1100	YA-1199	KN-145
FX1000 WaveRunner Cruiser	998		KN-303	XVS1100 V-Star Midnight Custom	1100	YA-1199	KN-145
FX1000 WaveRunner FX	998		KN-303	XVS1100 V-Star Silverado	1100	YA-1199	KN-145
FX1100 WaveRunner FX Cruiser H.O.	998		KN-303	XVS1300 V-Star	1300	YA-1307	KN-147
FZ1	1000	YA-1006	KN-204	XVS1300 V-Star Tourer	1300	YA-1307	KN-147
FZ1 Fazer	998	YA-1006	KN-204	XVS1300A Midnight Star	1304	YA-1307	KN-147
FZ6	600	YA-6004	KN-204	XVZ1300 Royal Star Midnight Tour Deluxe	1300	YA-1399	KN-303
FZ6 Fazer	600	YA-6004	KN-204	XVZ1300 Royal Star Midnight Venture	1300	YA-1399	KN-303
FZ6 Fazer S2	600	YA-6004	KN-204	XVZ1300 Royal Star Tour Deluxe	1300	YA-1399	KN-303
FZ6 S2	600	YA-6004	KN-204	XVZ1300 Royal Star Venture	1300	YA-1399	KN-303
MT01	1700	YA-1605	KN-303	YFM50 Raptor	50	YA-8002	
PZ50FX Phazer FX	500		KN-147	YFM80 Raptor	80	YA-8002	
SR400	400	YA-4092		YFM250 Big Bear	230	YA-4001	KN-143
SXT1100 AR230 H.O. Eng 1	998		KN-303	YFM350 Grizzly Auto 2x4	346	YA-3504	KN-204
TTR125E	125	YA-1201					
TTR125L	125	YA-1201					
TTR125LE	125	YA-1201					
TTR125LW	125	YA-1201					
TTR230	223	YA-2305	KN-143				
TW200	200	YA-2002	KN-143				
VMX1200 V-Max	1200	YA-1285	KN-303				
VX1100 WaveRunner Cruiser	998		KN-303				

* 2 filters required ♦ Intake System Available - see page 81 +Cabin Air Filter Available - see page 453 1- Pro Series Filter Available

AIR & OIL FILTERS

YAMAHA

Vehicle	Engine Type	Air Filter	Oil Filter	Vehicle	Engine Type	Air Filter	Oil Filter
2007 YAMAHA				2006 YAMAHA			
YFM350 Grizzly Auto 4x4	346	YA-3504	KN-204	TTR90E	90	YA-9001	
YFM350 Grizzly Auto 4x4 IRS	346	YA-3504	KN-204	TTR125E	125	YA-1201	
YFM350R Raptor	350	YA-6602	KN-142	TTR125L	125	YA-1201	
YFM350X Wolverine 2x4	350	YA-3504	KN-204	TTR125LE	125	YA-1201	
YFM400 Big Bear IRS 4x4	400	YA-4001	KN-142	TTR230	223	YA-2305	KN-143
YFM400 Grizzly Auto 4x4	400	YA-3504	KN-204	TTR250	250	YA-3586	KN-142
YFM450 Grizzly Auto 4x4	450	YA-3504	KN-204	TW200	200	YA-2002	KN-143
YFM450FX Wolverine 4x4	450	YA-3504	KN-204	VMX1200 V-Max	1200	YA-1285	KN-303
YFM660 Grizzly Auto 4x4	660	YA-6602	KN-204	VX1100 WaveRunner Deluxe	998		KN-303
YFM700F Grizzly FI Auto 4x4	686	YA-7007	KN-204	VX1100 WaveRunner Sport	998		KN-303
YFM700F Grizzly FI Auto 4x4 EPS	686	YA-7007	KN-204	WR250F	250	YA-4503	KN-141
YFM700R Raptor	700	YA-7006	KN-145	WR450F	450	YA-4503	KN-141
YFM700R Raptor GYTR Edition	700	YA-7006	KN-145	XT225	225	YA-2292	KN-143
YFM700R Raptor SE	700	YA-7006	KN-145	XT250	250		KN-141
YFZ450	449	YA-4504	KN-140	XT250X	250		KN-141
YFZ450 Bill Ballance Edition	450		KN-140	XT660R	660	YA-6604	
YFZ450 SE	449	YA-4504	KN-140	XV250 Virago	250	YA-2588	KN-145
YJ125 Vino	125		KN-143	XV1700 Road Star	1700	YA-1704	KN-303
YP400 Majesty	400		KN-132	XV1700 Road Star Cast Wheels	1700	YA-1704	KN-303
YXR450 Rhino Auto 4x4	450	YA-6504	KN-204	XV1700 Road Star Midnight	1700	YA-1704	KN-303
YXR450 Rhino Auto 4x4 Special Ed.	450	YA-6504	KN-204	XV1700 Road Star Midnight Silverado	1700	YA-1704	KN-303
YXR660 Rhino	660	YA-6504	KN-204	XV1700 Road Star Silverado	1700	YA-1704	KN-303
YZ85	85	YA-8502		XV1700 Road Star Warrior	1670	YA-1602	KN-303
YZ250	250	YA-2506XD	KN-141	XV1900 Roadliner	1900	YA-1906	KN-303
YZ250F	250	YA-2506XD	KN-141	XV1900 Roadliner Midnight	1900	YA-1906	KN-303
YZ450F	450	YA-2506XD	KN-141	XV1900 Roadliner S	1900	YA-1906	KN-303
YZF R1	998	YA-1007	KN-204	XV1900 Stratoliner	1900	YA-1906	KN-303
YZF R6	599	YA-6006	KN-204	XV1900 Stratoliner Midnight	1900	YA-1906	KN-303
YZF R6S	599	YA-6001	KN-303	XV1900 Stratoliner S	1900	YA-1906	KN-303
YZF600R	600	YA-6096	KN-303	XVS650 V-Star Classic	650	YA-6598	KN-145
2006 YAMAHA				XVS650 V-Star Custom	650	YA-6598	KN-145
CP250 Morphous	250		KN-132	XVS650 V-Star Silverado	650	YA-6598	KN-145
FJR1300	1300	YA-1301	KN-148	XVS1100 V-Star	1100	YA-1199	KN-145
FJR1300A	1300	YA-1301	KN-148	XVS1100 V-Star Classic	1100	YA-1199	KN-145
FJR1300AE	1300	YA-1301	KN-148	XVS1100 V-Star Custom	1100	YA-1199	KN-145
FJR1300AS	1300	YA-1301	KN-148	XVZ1300 V-Star Silverado	1100	YA-1199	KN-145
FX1000 WaveRunner Cruiser	998		KN-303	XVZ1300 Royal Star	1300	YA-1399	KN-303
FX1100 WaveRunner Cruiser H.O.	998		KN-303	Midnight Tour Deluxe	1300	YA-1399	KN-303
FX1100 WaveRunner H.O.	998		KN-303	XVZ1300 Royal Star Midnight Venture	1300	YA-1399	KN-303
FZ1	1000	YA-1006	KN-204	XVZ1300 Royal Star Tour Deluxe	1300	YA-1399	KN-303
FZ1 Fazer	998	YA-1006	KN-204	XVZ1300 Royal Star Venture	1300	YA-1399	KN-303
FZ1N	1000	YA-1006	KN-204	YFM50 Raptor	50	YA-8002	
FZ1S	1000	YA-1006	KN-204	YFM80 Raptor	80	YA-8002	
FZ6	600	YA-6004	KN-303	YFM250 Bruin	230	YA-4001	KN-143
FZ6 Fazer	600	YA-6004	KN-303	YFM350 Bruin Auto 2x4	350	YA-3504	KN-303
MT01	1700	YA-1605	KN-303	YFM350 Bruin Auto 4x4	350	YA-3504	KN-303
RS90NR Nytro ER	953		KN-147	YFM350R Raptor	350	YA-6602	KN-142
RSG90 RS Rage	953		KN-147	YFM400 Big Bear 4x4	384	YA-4001	KN-142
RX10GT Apex GT	977		KN-204				

* 2 filters required ♦ Intake System Available - see page 81 +Cabin Air Filter Available - see page 453 1- Pro Series Filter Available

Partial Listing - Complete List of Vehicles and Applications at knfilters.com

YAMAHA

AIR & OIL FILTERS

Vehicle	Engine Type	Air Filter	Oil Filter	Vehicle	Engine Type	Air Filter	Oil Filter
2006 YAMAHA				2005 YAMAHA			
YFM400 Kodiak Auto 4x4	384	YA-3504	KN-303	XJR1300	1235	YA-1295	
YFM450 Kodiak Auto 4x4	416	YA-3504	KN-303	XP500 T-Max	500	YA-5001	
YFM450FX Wolverine 4x4	450	YA-3504	KN-303	XT225	225	YA-2292	KN-143
YFM660 Grizzly Auto 4x4	660	YA-6602	KN-303	XT660R	660	YA-6604	
YFM700R Raptor	700	YA-7006	KN-145	XT660X Super Motard	660	YA-6604	KN-145
YFS200 Blaster	200	YA-2088		XV250 Virago	250	YA-2588	KN-145
YFZ350 Banshee	350	YA-3502		XV1700 Road Star	1700	YA-1704	KN-303
YFZ450	449	YA-4504	KN-141	XV1700 Road Star Cast Wheels	1700	YA-1704	KN-303
YFZ450 Bill Ballance Edition	449	YA-4504	KN-141	XV1700 Road Star Midnight	1700	YA-1704	KN-303
YJ125 Vino	125		KN-143	XV1700 Road Star Silverado	1700	YA-1704	KN-303
YP180 Majesty	180	YA-2598		XV1700 Road Star Warrior	1670	YA-1602	KN-303
YP400 Majesty	400		KN-132	XVS650 V-Star Classic	650	YA-6598	KN-145
YXR450 Rhino Auto 4x4	450	YA-6504	KN-303	XVS650 V-Star Custom	650	YA-6598	KN-145
YXR660 Rhino	660	YA-6504	KN-303	XVS650 V-Star Silverado	650	YA-6598	KN-145
YZ85	85	YA-8502		XVS1100 V-Star Classic	1100	YA-1199	KN-145
YZ125	125	YA-2506XD		XVS1100 V-Star Custom	1100	YA-1199	KN-145
YZ250	250	YA-2506XD	KN-141	XVS1100 V-Star Silverado	1100	YA-1199	KN-145
YZ250F	250	YA-2506XD	KN-141	XVZ1300 Royal Star Midnight Venture	1300	YA-1399	KN-303
YZ450F	450	YA-2506XD	KN-141	XVZ1300 Royal Star Tour Deluxe	1300	YA-1399	KN-303
YZF R1	998	YA-1004	KN-303	XVZ1300 Royal Star Venture	1300	YA-1399	KN-303
YZF R1 LE	998	YA-1004	KN-303	YFM50 Raptor	50	YA-8002	
YZF R1 SP	998	YA-1004	KN-303	YFM80 Raptor	80	YA-8002	
YZF R6	599	YA-6006	KN-204	YFM125 Grizzly	124	YA-2088	
YZF R6S	599	YA-6001	KN-303	YFM250 Bruin	230	YA-4001	KN-143
YZF600R	600	YA-6096	KN-303	YFM350 Bruin Auto 2x4	350	YA-3504	KN-303
2005 YAMAHA				YFM350 Bruin Auto 4x4	350	YA-3504	KN-303
FJR1300	1300	YA-1301	KN-148	YFM350 Bruin Auto 4x4 Hunter	350	YA-3504	KN-303
FJR1300A	1300	YA-1301	KN-148	YFM350FX Wolverine	350	YA-4350	KN-142
FJR1300AE	1300	YA-1301	KN-148	YFM350R Raptor	350	YA-6602	KN-142
FX1000 WaveRunner	998		KN-303	YFM400 Big Bear 4x4	384	YA-4001	KN-142
FX1000 WaveRunner Cruiser	998		KN-303	YFM400 Kodiak Auto 4x4	384	YA-3504	KN-303
FX1100 WaveRunner Cruiser H.O.	998		KN-303	YFM450 Kodiak Auto 4x4	416	YA-3504	KN-303
FX1100 WaveRunner H.O.	998		KN-303	YFM660 Grizzly Auto 4x4	660	YA-6602	KN-303
FZ1	1000	YA-1001	KN-303	YFM660R Raptor	660	YA-6601	KN-147
FZ6	600	YA-6004	KN-303	YFS200 Blaster	200	YA-2088	
FZ6 Fazer	600	YA-6004	KN-303	YFZ350 Banshee	350	YA-3502	
PW80	80	YA-8083		YFZ450	449	YA-4504	KN-141
RS90 RS Vector	953		KN-147	YJ125 Vino	125		KN-143
RX10 RX-1	1000		KN-303	YP125 Majesty	125	YA-2598	
RX10R RX-1 ER	1000		KN-303	YP400 Majesty	400		KN-132
SRT1100 SX230 H.O. Eng 2	998		KN-303	YXR660 Rhino	660	YA-6504	KN-303
TTR125E	125	YA-1201		YZ85	85	YA-8502	
TTR125L	125	YA-1201		YZ125	125	YA-2506XD	
TTR125LE	125	YA-1201		YZ250	250	YA-2506XD	KN-141
TTR230	223	YA-2305	KN-143	YZ250F	250	YA-2506XD	KN-141
TTR250	250	YA-3586	KN-142	YZ450F	450	YA-2506XD	KN-141
TW200	200	YA-2002	KN-143	YZF R1	998	YA-1004	KN-303
VMX1200 V-Max	1200	YA-1285	KN-303				
VX1100 WaveRunner Deluxe	998		KN-303				
VX1100 WaveRunner Sport	998		KN-303				
WR250F	250	YA-4503	KN-141				
WR450F	450	YA-4503	KN-141				
XC125SR Cygnus X SR	125	YA-1202					

* 2 filters required ♦ Intake System Available - see page 81 +Cabin Air Filter Available - see page 453 1- Pro Series Filter Available

AIR & OIL FILTERS

YAMAHA

Vehicle	Engine Type	Air Filter	Oil Filter	Vehicle	Engine Type	Air Filter	Oil Filter
2005 YAMAHA				2004 YAMAHA			
YZF R6	599	YA-6001	KN-303	YFM660 Grizzly Auto 4x4	660	YA-6602	KN-303
YZF600R	600	YA-6096	KN-303	YFM660R Raptor	660	YA-6601	KN-147
2004 YAMAHA				2003 YAMAHA			
Cygnus 125	125	YA-1202		FJR1300	1300	YA-1301	KN-148
FJR1300	1300	YA-1301	KN-148	FJR1300A	1300	YA-1301	KN-148
FJR1300A	1300	YA-1301	KN-148	FZ1	1000	YA-1001	KN-303
FX1100 WaveRunner Cruiser H.O.	998		KN-303	FZS1000 Fazer	1000		KN-303
FX1100 WaveRunner H.O.	998		KN-303	RX10 RX-1	1000		KN-303
FZ1	1000	YA-1001	KN-303	RX10M RX-1 Mountain	1000		KN-303
FZ6	600	YA-6004	KN-303	RX10R RX-1 ER	1000		KN-303
FZ6 Fazer	600	YA-6004	KN-303	SR400	400	YA-4092	
RX10 RX-1	1000		KN-303	TTR90E	90	YA-9001	
TTR125L	125	YA-1201		TTR125	125	YA-1201	
TTR125LE	125	YA-1201		TTR125E	125	YA-1201	
TTR225	225	YA-2292	KN-143	TTR125L	125	YA-1201	
TTR250	250	YA-3586	KN-142	TTR125LE	125	YA-1201	
TW200	200	YA-2002	KN-143	TTR225	225	YA-2292	KN-143
VMX1200 V-Max	1200	YA-1285	KN-303	TTR250	250	YA-3586	KN-142
WR250F	250	YA-4503	KN-141	VMX1200 V-Max	1200	YA-1285	KN-303
WR450F	450	YA-4503	KN-141	WR250F	250	YA-4503	KN-141
XT225	225	YA-2292	KN-143	WR450F	450	YA-4503	KN-141
XT660R	660	YA-6604		XP500 T-Max	500	YA-5001	
XV250 Virago	250	YA-2588	KN-145	XT225	225	YA-2292	KN-143
XV1700 Road Star	1700	YA-1704	KN-303	XV250 Virago	250	YA-2588	KN-145
XV1700 Road Star Midnight	1700	YA-1704	KN-303	XV1600 Road Star	1600	YA-1699	KN-303
XV1700 Road Star Midnight Silverado	1700	YA-1704	KN-303	XV1600 Road Star Ltd. Edition	1600	YA-1699	KN-303
XV1700 Road Star Silverado	1700	YA-1704	KN-303	XV1600 Road Star Midnight	1600	YA-1699	KN-303
XV1700 Road Star Warrior	1670	YA-1602	KN-303	XV1600 Road Star Silverado	1600	YA-1699	KN-303
XVS650 V-Star Classic	650	YA-6598	KN-145	XV1600 Road Star Silverado Ltd. Edition	1600	YA-1699	KN-303
XVS650 V-Star Custom	650	YA-6598	KN-145	XV1700 Road Star Warrior	1670	YA-1602	KN-303
XVS650 V-Star Silverado	650	YA-6598	KN-145	XVS650 V-Star Classic	650	YA-6598	KN-145
XVS1100 V-Star Classic	1100	YA-1199	KN-145	XVS650 V-Star Custom	650	YA-6598	KN-145
XVS1100 V-Star Custom	1100	YA-1199	KN-145	XVS650 V-Star Silverado	650	YA-6598	KN-145
XVS1100 V-Star Silverado	1100	YA-1199	KN-145	XVS1100 V-Star Classic	1100	YA-1199	KN-145
XVZ1300 Royal Star Venture	1300	YA-1399	KN-303	XVS1100 V-Star Custom	1100	YA-1199	KN-145
YFM50 Raptor	50	YA-8002		XVS1100 V-Star Silverado	1100	YA-1199	KN-145
YFM80 Raptor	80	YA-8002		XVZ1300 Royal Star Midnight Venture	1300	YA-1399	
YFM125 Grizzly	124	YA-2088		XVZ1300 Royal Star Venture	1300	YA-1399	
YFM250 Bear Tracker	250	YA-4001	KN-143				
YFM350 Bruin Auto 2x4	350	YA-3504	KN-303				
YFM350 Bruin Auto 4x4	350	YA-3504	KN-303				
YFM350FX Wolverine	350	YA-4350	KN-142				
YFM350R Raptor	350	YA-6602	KN-142				
YFM350X Warrior	350	YA-4350	KN-142				
YFM400 Big Bear	384	YA-4001	KN-142				
YFM400 Big Bear 4x4	384	YA-4001	KN-142				
YFM400 Kodiak Auto 4x4	384	YA-3504	KN-303				
YFM450 Kodiak Auto 4x4	416	YA-4003	KN-303				

* 2 filters required ♦ Intake System Available - see page 81 +Cabin Air Filter Available - see page 453 1- Pro Series Filter Available

YAMAHA

AIR & OIL FILTERS

Vehicle	Engine Type	Air Filter	Oil Filter	Vehicle	Engine Type	Air Filter	Oil Filter
2003 YAMAHA				2002 YAMAHA			
YFM80 Raptor	80	YA-8002		YFM400F Kodiak	393	YA-4000	KN-303
YFM250 Bear Tracker	230	YA-4001	KN-143	YFM660 Grizzly	660	YA-6602	KN-303
YFM350FX Wolverine	350	YA-4350	KN-142	YFM660R Raptor	660	YA-6601	KN-147
YFM350X Warrior	350	YA-4350	KN-142	YFS200 Blaster	200	YA-2088	
YFM400 Big Bear 4x4	400	YA-4001	KN-142	YFZ350 Banshee	350	YA-3502	
YFM400 Kodiak Auto 2x4	393	YA-4003	KN-303	YZ125	125	YA-2506XD	
YFM400 Kodiak Auto 4x4	393	YA-4003	KN-303	YZ250	250	YA-2506XD	
YFM450 Kodiak Auto 4x4	489	YA-4003	KN-303	YZ250F	250	YA-2506XD	KN-142
YFM660 Grizzly	660	YA-6602	KN-303	YZ426F	426	YA-2506XD	KN-142
YFM660R Raptor	660	YA-6601	KN-147	YZF R1	998	YA-1002	KN-303
YFS200 Blaster	200	YA-2088		YZF R6	599	YA-6001	KN-303
YFZ350 Banshee	350	YA-3502		YZF600R	600	YA-6096	KN-303
YZ125	125	YA-2506XD		2001 YAMAHA			
YZ250	250	YA-2506XD	KN-141	FZ1	1000	YA-1001	KN-303
YZ250F	250	YA-2506XD	KN-141	FZS1000 Fazer	1000	YA-1001	KN-303
YZ450F	450	YA-2506XD	KN-141	SR400	400	YA-4092	
YZF R1	998	YA-1002	KN-303	TTR125	125	YA-1201	
YZF R6	599	YA-6001	KN-303	TTR125L	125	YA-1201	
YZF600R	600	YA-6096	KN-303	TTR225	225	YA-2292	KN-143
2002 YAMAHA				VMX1200 V-Max	1200	YA-1285	KN-303
FZ1	1000	YA-1001	KN-303	WR250F	250	YA-2506XD	KN-142
FZS600 Fazer	600	YA-6098	KN-147	WR426F	426	YA-2506XD	KN-142
FZS1000 Fazer	1000	YA-1001	KN-303	XT225	225	YA-2292	KN-143
PW80	80	YA-8083		XV1600 Road Star	1600	YA-1699	KN-303
TTR125L	125	YA-1201		XV1600 Road Star Midnight	1600	YA-1699	KN-303
TTR225	225	YA-2292	KN-143	XV1600 Road Star Silverado	1600	YA-1699	KN-303
TTR250	250	YA-3586	KN-142	XV1700 Road Star Warrior	1670	YA-1602	KN-303
TW200	200	YA-2002	KN-143	XVS650 V-Star Classic	650	YA-6598	KN-145
VMX1200 V-Max	1200	YA-1285	KN-303	XVS650 V-Star Custom	650	YA-6598	KN-145
WR250F	250	YA-2506XD	KN-142	XVS1100 V-Star Classic	1100	YA-1199	KN-145
WR426F	426	YA-2506XD	KN-142	XVS1100 V-Star Custom	1100	YA-1199	KN-145
XT225	225	YA-2292	KN-143	XVS1100 V-Star Silverado	1100	YA-1199	KN-145
XV1600 Road Star	1600	YA-1699	KN-303	XVZ1300 Royal Star	1300		KN-303
XV1600 Road Star Midnight	1600	YA-1699	KN-303	XVZ1300 Royal Star Tour Deluxe	1300	YA-1399	KN-303
XV1600 Road Star Silverado	1600	YA-1699	KN-303	XVZ1300 Royal Star Venture	1300	YA-1399	KN-303
XV1700 Road Star Warrior	1670	YA-1602	KN-303	YFM250 Bear Tracker	230	YA-4001	KN-143
XVS650 V-Star Classic	650	YA-6598	KN-145	YFM350FX Wolverine	350	YA-4350	KN-142
XVS650 V-Star Custom	650	YA-6598	KN-145	YFM350X Warrior	350	YA-4350	KN-142
XVS1100 V-Star Classic	1100	YA-1199	KN-145	YFM400 Big Bear	400	YA-4001	KN-142
XVS1100 V-Star Custom	1100	YA-1199	KN-145	YFM400 Big Bear 4x4	400	YA-4001	KN-142
XVS1100 V-Star Silverado	1100	YA-1199	KN-145	YFM400 Kodiak Auto 2x4	393	YA-4000	KN-303
XVZ1300 Royal Star	1300		KN-303	YFM400 Kodiak Auto 4x4	393	YA-4000	KN-303
XVZ1300 Royal Star Midnight Venture	1300	YA-1399	KN-303	YFM600 Grizzly	600	YA-4350	KN-145
XVZ1300 Royal Star Venture	1300	YA-1399	KN-303	YFM660R Raptor	660	YA-6601	KN-147
YFM80 Raptor	80	YA-8002		YFS200 Blaster	200	YA-2088	
YFM250 Bear Tracker	230	YA-4001	KN-143	YFZ350 Banshee	350	YA-3502	
YFM350FX Wolverine	350	YA-4350	KN-142	YZ125	125	YA-2506XD	
YFM350X Warrior	350	YA-4350	KN-142	YZ250	250	YA-2506XD	
YFM400 Big Bear	400	YA-4001	KN-142	YZ250F	250	YA-2506XD	KN-142
YFM400 Big Bear 4x4	400	YA-4001	KN-142	YZ426F	426	YA-2506XD	KN-142
YFM400A Kodiak	393	YA-4000	KN-303	YZF R1	998	YA-1098	KN-303
				YZF R6	599	YA-6001	KN-303
				YZF600R	600	YA-6096	KN-303
				2000 YAMAHA			
				TTR225	225	YA-2292	KN-143

* 2 filters required ♦ Intake System Available - see page 81 +Cabin Air Filter Available - see page 453 1- Pro Series Filter Available

AIR & OIL FILTERS

YAMAHA

Vehicle	Engine Type	Air Filter	Oil Filter	Vehicle	Engine Type	Air Filter	Oil Filter
2000 YAMAHA				1999 YAMAHA			
TTR250	250	YA-3586	KN-142	XVZ1300 Royal Star	1300	YA-1399	KN-303
VMX1200 V-Max	1200	YA-1285	KN-303	Venture			
WR400F	400	YA-2506XD	KN-142	YFB250FW	230	YA-2597	
XT350	350		KN-143	Timberwolf 4x4			
XV1600 Road Star	1600	YA-1699	KN-303	YFM250 Bear	230	YA-4001	KN-143
XV1600 Road Star	1600	YA-1699	KN-303	Tracker			
Midnight				YFM350FW Big Bear	384	YA-2597	KN-142
XV1600 Road Star	1600	YA-1699	KN-303	YFM350FX Wolverine	350	YA-4350	KN-142
Silverado				YFM350X Warrior	350	YA-4350	KN-142
XVS650 V-Star	650	YA-6598	KN-145	YFM400 Big Bear	400		KN-142
Classic				YFM400F Kodiak	401	YA-2597	KN-142
XVS650 V-Star	650	YA-6598	KN-145	YFM600 Grizzly	600	YA-4350	KN-145
Custom				YFS200 Blaster	200	YA-2088	
XVS1100 V-Star	1100	YA-1199	KN-145	YFZ350 Banshee	350	YA-3502	
Classic				YM150	150	YA-2598	
XVS1100 V-Star	1100	YA-1199	KN-145	YZ400F	400	YA-2506XD	KN-142
Custom				YZF R1	998	YA-1098	KN-303
XVZ1300 Royal Star	1300	YA-1399	KN-303	YZF R6	599	YA-6001	KN-303
MM Ltd.				YZF600R	600	YA-6096	KN-303
XVZ1300 Royal Star	1300	YA-1399	KN-303	1998 YAMAHA			
Venture				FZR600R	600		KN-303
YFB250FW	230	YA-2597		PW80	80	YA-8083	
Timberwolf 4x4				TW200	200	YA-2002	KN-143
YFM250 Bear	230	YA-4001	KN-143	VMX1200 V-Max	1200	YA-1285	KN-303
Tracker				XJR1200	1173	YA-1295	
YFM350FX Wolverine	350	YA-4350	KN-142	XV1100 Virago	1100	YA-1186	KN-145
YFM350X Warrior	350	YA-4350	KN-142	XVS650 V-Star	650	YA-6598	KN-145
YFM400 Big Bear	384	YA-4001	KN-142	Classic			
YFM400 Big Bear 4x4	384	YA-4001	KN-142	XVS650 V-Star	650	YA-6598	KN-145
YFM400 Kodiak Auto	393	YA-4000		Custom			
2x4				XVZ1300 Royal Star	1300	YA-1595	KN-303
YFM400 Kodiak Auto	393	YA-4000	KN-303	XVZ1300 Royal Star	1300	YA-1595	KN-303
4x4				Tour Classic			
YFM600 Grizzly	600	YA-4350	KN-145	XVZ1300 Royal Star	1300	YA-1595	KN-303
YFS200 Blaster	200	YA-2088		Tour Deluxe			
YFZ350 Banshee	350	YA-3502		YFB250 Timberwolf	230	YA-2597	KN-143
YP125 Majesty	125	YA-2598		YFM350FW Big Bear	346	YA-2597	KN-142
YZ250	250	YA-2506XD		YFM350FX Wolverine	350	YA-4350	KN-142
YZ426F	426	YA-2506XD	KN-142	YFM350X Warrior	350	YA-4350	KN-142
YZF R1	998	YA-1098	KN-303	YFM400F Kodiak	401	YA-2597	KN-142
YZF R6	599	YA-6001	KN-303	YFM600 Grizzly	600	YA-4350	KN-145
YZF600R	600	YA-6096	KN-303	YFS200 Blaster	200	YA-2088	
1999 YAMAHA				YFZ350 Banshee	350	YA-3502	
TRX850	850	YA-8596		YZ400F	399	YA-2506XD	KN-142
VMX1200 V-Max	1200	YA-1285	KN-303	YZF R1	998	YA-1098	KN-303
WR400F	400	YA-2506XD	KN-142	YZF600R	600	YA-6096	KN-303
XJR1300	1300	YA-1295		YZF1000R	1000	YA-1089	KN-303
XV1100 Virago	1100	YA-1186	KN-145	Thunderace			
XV1600 Road Star	1600	YA-1699	KN-303	1997 YAMAHA			
XV1600 Road Star	1600	YA-1699	KN-303	FZR600R	600		KN-303
Silverado				VMX1200 V-Max	1200	YA-1285	KN-303
XV1600 Wild Star	1600	YA-1699	KN-303	XV750 Virago	747	YA-1186	KN-145
XVS650 V-Star	650	YA-6598	KN-145	XV1100 Virago	1100	YA-1186	KN-145
Classic				XVZ1300 Royal Star	1300		KN-303
XVS650 V-Star	650	YA-6598	KN-145	XVZ1300 Royal Star	1300		KN-303
Custom				Tour Classic			
XVS1100 DragStar	1100	YA-1199	KN-145	XVZ1300 Royal Star	1300	YA-1595	KN-303
XVS1100 V-Star	1100	YA-1199	KN-145	Tour Deluxe			
XVS1100 V-Star	1100		KN-145	YFB250 Timberwolf	230	YA-2597	KN-143
Classic				YFM350FW Big Bear	346	YA-2597	KN-142
XVZ1300 Royal Star	1300		KN-303	YFM350FX Wolverine	350	YA-4350	KN-142
Boulevard				YFM350X Warrior	350	YA-4350	KN-142
XVZ1300 Royal Star	1300		KN-303	YFM400F Kodiak	401	YA-2597	KN-142
Tour Classic				YFZ350 Banshee	350	YA-3502	
XVZ1300 Royal Star	1300		KN-303	YZF600R	600	YA-6096	KN-303
Tour Deluxe							

* 2 filters required ♦ Intake System Available - see page 81 +Cabin Air Filter Available - see page 453 1- Pro Series Filter Available

Partial Listing - Complete List of Vehicles and Applications at knfilters.com

YAMAHA

AIR & OIL FILTERS

Vehicle	Engine Type	Air Filter	Oil Filter	Vehicle	Engine Type	Air Filter	Oil Filter
1997 YAMAHA				1993 YAMAHA			
YZF750R	741	YA-7593	KN-303	FZR600	600		KN-303
YZF1000R	1000	YA-1089	KN-303	FZR600R	600	YA-6089	KN-303
1996 YAMAHA				XJ600 Seca II	600	YA-6092	KN-303
FZR600R	600	YA-6089	KN-303	XT600E	600	YA-6090	
VMX1200 V-Max	1200	YA-1285	KN-303	XV535 Virago	535		KN-145
XJ600 Diversion	600	YA-6092	KN-303	XV750 Virago	747	YA-1186	KN-145
XJ600 Seca II	581		KN-303	XV1100 Virago	1100	YA-1186	KN-145
XT225 Serow	225	YA-2292	KN-143	YFB250 Timberwolf	230	YA-2597	KN-143
XTZ750 Super Tenere	754	YA-0075*	KN-145	YFM350FW Big Bear	346	YA-2597	KN-142
XV535 Virago	535		KN-145	YFM350X Warrior	350	YA-4350	KN-142
XV750 Virago	747	YA-1186	KN-145	YFM400F Kodiak	401	YA-2597	KN-142
XV1100 Virago	1100	YA-1186	KN-145	YFZ350 Banshee	350	YA-3502	
XVZ1300 Royal Star	1300	YA-1595	KN-303	1992 YAMAHA			
YFB250 Timberwolf	230	YA-2597	KN-143	FJ1200 - Legend Car	1200		KN-401
YFB250FW	230	YA-2597	KN-143	FZR600	600	YA-6089	KN-303
Timberwolf 4x4				FZR600R	600	YA-6089	KN-303
YFM350FW Big Bear	346	YA-2597	KN-142	TDM850	850	YA-7585	KN-145
YFM350FX Wolverine	350	YA-4350	KN-142	VMX1200 V-Max	1200	YA-1285	
YFM350X Warrior	350	YA-4350	KN-142	XJ600	600		KN-144
YFM400F Kodiak	401	YA-2597	KN-142				KN-303
YFS200 Blaster	200	YA-2088		XJ600 Diversion	600	YA-6092	KN-303
YFZ350 Banshee	350	YA-3502		XJ600 Seca II	600	YA-6092	KN-303
YZF600R	600	YA-6096	KN-303	XV750 Virago	747	YA-1186	KN-145
YZF750R	741	YA-7593		XV1100 Virago	1100	YA-1186	KN-145
1995 YAMAHA				YFB250 Timberwolf	230	YA-2597	KN-142
FZR600R	600		KN-303	YFM350FW Big Bear	346	YA-2597	KN-142
FZR600R	600 - Non-US	YA-6094	KN-303	YFM350X Warrior	350	YA-4350	KN-142
FZR600R	600 - US	YA-6089	KN-303	YFZ350 Banshee	350	YA-3502	
TW200	200	YA-2002	KN-143	1991 YAMAHA			
VMX1200 V-Max	1200	YA-1285	KN-146	FZR600	600		KN-303
XJ600 Seca II	581		KN-303	FZR600R	600	YA-6089	KN-303
XT600E	600	YA-6090		YFM250 Moto-4	250	YA-2597	
XV750 Virago	747	YA-1186	KN-145	YFM350FW Big Bear	346	YA-2597	KN-142
XV1100 Virago	1100	YA-1186	KN-145	YFM350X Warrior	350	YA-4350	KN-142
YFB250 Timberwolf	230	YA-2597	KN-143	YFZ350 Banshee	350	YA-3502	
YFB250FW	230	YA-2597		1990 YAMAHA			
Timberwolf 4x4				FJ1200 - Legend Car	1200		KN-401
YFM350 Moto-4	346	YA-2597	KN-142	FZR600	600	YA-6089	KN-144
YFM350FW Big Bear	346	YA-2597	KN-142	FZR600R	600	YA-6089	KN-144
YFM350FX Wolverine	350	YA-4350	KN-142	XT350	350		KN-143
YFM350X Warrior	350	YA-4350	KN-142	XT600	600	YA-6090	
YFM400F Kodiak	401	YA-2597	KN-142	YFM250 Moto-4	195	YA-2597	KN-143
YFZ350 Banshee	350	YA-3502		YFM350 Moto-4	346	YA-2597	KN-142
YZF600R	600		KN-303	YFM350FW Big Bear	346	YA-2597	KN-142
1994 YAMAHA				YFZ350 Banshee	350	YA-3502	
FZR600R	600		KN-303	1989 YAMAHA			
FZR600R	600 - Non-US	YA-6094	KN-303	FJ1200	1200	YA-1184	KN-401
FZR600R	600 - US	YA-6089	KN-303	FJ1200 - Legend Car	1200		KN-401
VMX1200 V-Max	1200	YA-1285		FZR400	400	YA-4085	
XJ600 Seca II	600		KN-303	FZR600	600	YA-6089	KN-144
XT600E	600	YA-6090		FZR1000	1000	YA-1089	KN-401
XV535 Virago	535		KN-145	VMX1200 V-Max	1200	YA-1285	KN-146
XV750 Virago	747	YA-1186	KN-145	XT600	600	YA-6084	KN-145
XV1100 Virago	1100	YA-1186	KN-145	XT600Z Tenere	600		KN-145
YFB250 Timberwolf	230	YA-2597	KN-143	XVZ1300 Venture	1300	YA-1283	KN-146
YFB250FW	230	YA-2597	KN-143	Royale			
Timberwolf 4x4				YFM250 Moto-4	250	YA-2597	KN-143
YFM350FW Big Bear	346	YA-2597		YFM350 Moto-4	350	YA-2597	KN-142
YFM350X Warrior	350	YA-4350	KN-142	YFM350FW Big Bear	350	YA-2597	KN-142
YFM400F Kodiak	401	YA-2597	KN-142	YFM350X Warrior	350	YA-4350	KN-142
YFZ350 Banshee	350	YA-3502		YFZ350 Banshee	350	YA-3502	

* 2 filters required ♦ Intake System Available - see page 81 +Cabin Air Filter Available - see page 453 1- Pro Series Filter Available

AIR & OIL FILTERS

YAMAHA

Vehicle	Engine Type	Air Filter	Oil Filter
1988 YAMAHA			
TW200	200	YA-2002	KN-143
VMX1200 V-Max	1200	YA-1285	
XV1100 Virago	1100	YA-1186	KN-145
YFM225 Moto-4	225		KN-143
YFM350 Moto-4	350	YA-2597	KN-142
YFM350X Warrior	350	YA-4350	KN-142
YFP350 TerraPro	350	YA-2597	KN-142
YFS200 Blaster	200	YA-2088	
YFZ350 Banshee	350	YA-3502	

1987 YAMAHA			
BW200	196		KN-143
FJ1200 - Legend Car	1200		KN-401
FZR1000	1000	YA-7585	KN-401
TW200	200	YA-2002	KN-143
XV535 Virago	535		KN-145
XV700 Virago	700	YA-1186	KN-145
XV1100 Virago	1100	YA-1186	KN-145
XVZ1300 Venture Royale	1300	YA-1283	
YFM200 Moto-4	200		KN-143
YFM225 Moto-4	225		KN-143
YFM350 Moto-4	350	YA-2597	KN-142
YFM350FW Big Bear	350	YA-2597	KN-142
YFM350X Warrior	350	YA-4350	KN-142
YFZ350 Banshee	350	YA-3502	

1986 YAMAHA			
BW200	196		KN-143
FJ1200	1200	YA-1184	KN-401
FJ1200 - Legend Car	1200		KN-401
FZX700 Fazer	700	YA-7086	KN-401
SRX600	600	YA-6050	
VMX1200 V-Max	1200	YA-1285	
XJ700 Maxim	700	YA-7080	KN-144
XJ700X Maxim X	700	YA-7080	
XT350	350		KN-143
XV700 Virago	700	YA-1186	KN-145
XV1100 Virago	1100	YA-1186	KN-145
XVZ1300 Venture Royale	1300	YA-1283	KN-146
YFM200 Moto-4	200		KN-143
YFM225 Moto-4	225		KN-143
YX600 Radian	600	YA-1600	KN-144

1985 YAMAHA			
BW200	196		KN-143
FJ1100	1100	YA-1184	KN-401
VMX1200 V-Max	1200	YA-1285	KN-146
XJ700 Maxim	700	YA-7080	KN-144
XJ700X Maxim X	700	YA-7080	KN-144
XJ750X Maxim X	750	YA-7080	KN-144
XT350	350		KN-143
XV700 Virago	700	YA-1186	KN-145
XV1000 Virago	1000	YA-1186	KN-145
YFM200 Moto-4	200		KN-143
YTM225 Tri-Moto	225		KN-143

1984 YAMAHA			
FJ1100	1100	YA-1184	KN-401
XJ750	750		KN-144
XV500 Virago	500		KN-145
XV700 Virago	700	YA-1186	KN-145
XV1000 Virago	1000	YA-1186	KN-145
XVZ1200 Venture Royale	1200	YA-1283	KN-146

Vehicle	Engine Type	Air Filter	Oil Filter
1984 YAMAHA			
YTM225 Tri-Moto	225		KN-143
1983 YAMAHA			
XJ550 Maxim	550	YA-1600	
XJ650 Maxim	650	YA-1650	KN-144
XJ750 Maxim	750	YA-1650	KN-144
XJ750R Seca	750	YA-1650	KN-144
XJ900R Seca	900	YA-9083	
XS400	400		KN-144
XS650	650	YA-1892	
XT125	125		KN-143
XT550	550	YA-1874	KN-145
XV500 Virago	500		KN-145
XV750 Virago	750	YA-1550	KN-145
XV920 Virago	920	YA-1550	KN-145
XVZ1200 Venture Royale	1200	YA-1283	KN-146
YTM200 Tri-Moto	200		KN-143

1982 YAMAHA			
SR250	250		KN-145
XJ550 Maxim	550	YA-1600	KN-144
XJ550 Seca	550	YA-1600	KN-144
XJ650 Maxim	650	YA-1650	KN-144
XJ650 Seca	650	YA-1650	KN-144
XJ650 Seca Turbo	650	YA-1650	KN-144
XJ750 Maxim	750	YA-1650	KN-144
XJ750R Seca	750	YA-1650	KN-144
XJ1100 Maxim	1100		KN-146
XS400	400		KN-144
XT250	250		KN-145
XT550	550	YA-1874	KN-145
XV750 Virago	750	YA-1550	KN-145
XV920 Virago	920	YA-1550	KN-145
YZ80	80	R-1390	

1981 YAMAHA			
SR250	250		KN-145
SR250T	250		KN-145
SR500	500	YA-1050	KN-145
XJ550 Maxim	550	YA-1600	KN-144
XJ550 Seca	550	YA-1600	KN-144
XJ650 Maxim	650	YA-1650	KN-144
XJ750R Seca	750	YA-1650	KN-144
XS400	400		KN-144
XS400S	400		KN-144
XS650	650	YA-1892	
XS650S	650	YA-1892	
XS850	850		KN-146
XS850L	850		KN-146
XS850S	850	YA-1300	KN-146
XS1100	1100	YA-1400	KN-146
XS1100L	1100	YA-1400	KN-146
XS1100S	1100	YA-1400	KN-146
XT250	250		KN-145
XV750 Virago	750	YA-1550	KN-145
XV920 Virago	920	YA-1550	
YZ80	80	R-1390	

1980 YAMAHA			
SR250	250		KN-145
XJ650 Maxim	650	YA-1650	KN-144
XS400	400		KN-144
XS400S	400		KN-144
XS650	650	YA-1892	
XS650S	650	YA-1892	

* 2 filters required ♦ Intake System Available - see page 81 +Cabin Air Filter Available - see page 453 1- Pro Series Filter Available

Partial Listing - Complete List of Vehicles and Applications at knfilters.com

YAMAHA

AIR & OIL FILTERS

Vehicle	Engine Type	Air Filter	Oil Filter
1980 YAMAHA			
XS850	850	YA-1300	KN-146
XS850L	850	YA-1300	KN-146
XS850S	850	YA-1300	KN-146
XS1100	1100	YA-1400	KN-146
XS1100L	1100	YA-1400	KN-146
XS1100S	1100	YA-1400	KN-146
XT250	250		KN-145
1979 YAMAHA			
DT175	175	YA-1078	
SR500	500	YA-1050	KN-145
XS400-2	400		KN-144
XS650	650	YA-1152	
XS650-2	650	YA-1152	
XS650S	650	YA-1152	
XS750	750	YA-1300	KN-146
XS750S	750	YA-1300	KN-146
XS1100	1100	YA-1400	KN-146
XS1100S	1100	YA-1400	KN-146
XT500	500		KN-145
1978 YAMAHA			
DT125	125	YA-1078	
DT175	175	YA-1078	
SR500	500	YA-1050	KN-145
XS400	400		KN-144
XS400-2	400		KN-144
XS650	650	YA-1152	
XS650S	650	YA-1152	
XS750	750	YA-1300	KN-146
XS750S	750	YA-1300	KN-146
XS1100	1100	YA-1400	KN-146
1977 YAMAHA			
DT250	250	YA-4074	
DT400	400	YA-4074	
TT500	500	YA-1100	KN-145
XS400	400		KN-144
XS650	650	YA-1152	
XS750	750		KN-146
XT500	500		KN-145
1976 YAMAHA			
DT400	400	YA-4074	
TT500	500	YA-1100	KN-145
XT500	500		KN-145
1975 YAMAHA			
DT250	250	YA-4074	
DT400	400	YA-4074	
RD350	350	YA-0700	
1974 YAMAHA			
DT250	250	YA-4074	
DT360	360	YA-4074	
RD250	250	YA-0700	
RD350	350	YA-0700	
1973 YAMAHA			
RD350	350	YA-0700	

* 2 filters required ♦ Intake System Available - see page 81 +Cabin Air Filter Available - see page 453 1- Pro Series Filter Available

CABIN AIR FILTERS

ACURA	Year(s)	Part#	AUDI	Year(s)	Part#	AUDI	Year(s)	Part#
CL			A3			TT		
3.2L F/I V6	01-03	VF3006	2.0L DSL L4 - Non-US	2013	VF2047	1.8L F/I L4	00-06	VF2012
CL Type-S			2.0L F/I L4	03-13	VF3013	2.0L DSL L4	2015	VF2047
3.2L F/I V6	01-03	VF3006		2015	VF2047	2.0L F/I L4	08-09	VF3013
CSX			2.0L F/I L4 - Non-US	2013	VF2047		2015	VF2047
2.0L F/I L4	06-11	VF2001	2.0L F/I L4 - US	2013	VF3013	TT Quattro		
EL			3.2L F/I V6	03-05	VF3013	1.8L F/I L4	00-06	VF2012
1.6L F/I L4	97-00	VF2022	A3 Quattro			2.0L F/I L4	09-14	VF3013
1.7L F/I L4	02-05	VF2022	2.0L F/I L4	04-05	VF3013	2.0L F/I L4 - Non-US	2015	VF2047
ILX				09-13	VF3013	2.0L F/I L4 - US	2015	VF3013
1.5L F/I L4	13-14	VF2001		2015	VF2047	2.5L F/I L5	12-13	VF3013
2.0L F/I L4	13-15	VF2001	3.2L F/I V6	06-09	VF3013	3.2L F/I V6	04-06	VF2012
2.4L F/I L4	13-16	VF2001	A4				2009	VF3013
MDX			2.0L F/I L4	09-14	VF3009			
3.5L F/I V6	01-06	VF3004	A4 allroad			BMW	Year(s)	Part#
	14-16	VF2001	2.0L F/I L4	13-14	VF3009	520d		
3.7L F/I V6	07-13	VF2001	A4 Cabriolet			2.0L DSL L4	05-09	VF4000
RDX			2.0L F/I L4	2010	VF3009	2.0L DSL L4 - E60, E61	2010	VF4000
2.3L F/I L4	07-12	VF2001	A4 Quattro			520i		
3.5L F/I V6	13-16	VF2001	2.0L F/I L4	09-14	VF3009	2.0L F/I L4 - E60, E61	2010	VF4000
RL			3.2L F/I V6	2009	VF3009	2.0L F/I L6	04-09	VF4000
3.5L F/I V6	05-08	VF2001	A4 Quattro Cabriolet			2.0L F/I L6 - E60, E61	2003	VF4000
3.7L F/I V6	09-12	VF2001	2.0L F/I L4	2010	VF3009		2010	VF4000
RLX			3.2L F/I V6	2009	VF3009	523i		
3.5L F/I V6	14-16	VF2001	A5			2.5L F/I L6	05-09	VF4000
RSX			2.0L F/I L4	10-14	VF3009	2.5L F/I L6 - E60, E61	2010	VF4000
2.0L F/I L4	02-06	VF2022	A5 Quattro			525d		
RSX Type-S			2.0L F/I L4	10-14	VF3009	2.5L DSL L6	04-08	VF4000
2.0L F/I L4	02-06	VF2022	3.2L F/I V6	08-10	VF3009	3.0L DSL L6	2009	VF4000
TL			allroad			3.0L DSL L6 - E60, E61	2010	VF4000
3.2L F/I V6	99-03	VF3006	2.0L F/I L4	13-14	VF3009	525i		
	04-08	VF2001	Q3			2.5L F/I L6	04-09	VF4000
3.5L F/I V6	07-14	VF2001	1.4L F/I L4	13-15	VF3013	2.5L F/I L6 - E60, E61	2003	VF4000
3.7L F/I V6	09-14	VF2001	2.0L DSL L4	11-15	VF3013		2010	VF4000
TL Type-S			2.0L F/I L4	11-15	VF3013	3.0L F/I L6	06-09	VF4000
3.2L F/I V6	02-03	VF3006	2.5L F/I L5	13-15	VF3013	3.0L F/I L6 - E60, E61	2010	VF4000
TSX			Q3 Quattro			530d		
2.4L F/I L4	04-14	VF2001	2.0L F/I L4	2015	VF3013	3.0L DSL L6	04-09	VF4000
3.5L F/I V6	10-14	VF2001	Q5			3.0L DSL L6 - E60, E61	2003	VF4000
ZDX			2.0L F/I L4	11-14	VF3009		2010	VF4000
3.7L F/I V6	10-13	VF2001	3.0L F/I V6	13-14	VF3009	530i		
			3.2L F/I V6	09-12	VF3009	3.0L F/I L6	05-09	VF4000
AUDI	Year(s)	Part#	RS3			3.0L F/I L6 - E60	2003	VF4000
A3			2.5L F/I L5	11-12	VF3013	3.0L F/I L6 - E60, E61	2004	VF4000
1.2L F/I L4	09-12	VF3013	RS5				2010	VF4000
	13-15	VF2047	4.2L F/I V8	13-14	VF3009	535d		
1.4L F/I L4	07-12	VF3013	S3			3.0L DSL L6	05-09	VF4000
	13-15	VF2047	2.0L F/I L4	07-13	VF3013	3.0L DSL L6 - E60, E61	2010	VF4000
1.6L DSL L4	09-12	VF3013	2.0L F/I V4	2014	VF2047	535i		
	13-15	VF2047	S4			3.0L F/I L6	07-09	VF4000
1.6L F/I L4	03-10	VF3013	3.0L F/I V6	10-14	VF3009	3.0L F/I L6 - E60, E61	2010	VF4000
1.8L F/I L4	98-04	VF2012	S5			535i GT		
	06-12	VF3013	3.0L F/I V6	10-14	VF3009	3.0L F/I L6	2009	VF4000
	13-15	VF2047	4.2L F/I V8	08-12	VF3009	3.0L F/I L6 - E60, E61	2010	VF4000
1.9L DSL L4	03-10	VF3013	SQ5					
2.0L DSL L4	03-12	VF3013	3.0L F/I V6	2014	VF3009			
	14-15	VF2047						

CABIN AIR FILTERS

BMW	Year(s)	Part#	BUICK	Year(s)	Part#	CHEVROLET	Year(s)	Part#
535i xDrive			Rendezvous			Captiva Sport		
3.0L F/I L6 - E60, E61	2010	VF4000	3.4L F/I V6	02-05	VF2046	3.6L F/I V6	09-10	VF2016
540i			3.5L F/I V6	06-07	VF2046	Cobalt		
4.0L F/I V8	05-10	VF4000	3.6L F/I V6	04-06	VF2046	2.0L F/I L4	05-10	VF2006
545i			Terraza			2.2L F/I L4	05-10	VF2006
4.4L F/I V8	03-05	VF4000	3.5L F/I V6	05-06	VF2046	2.4L F/I L4	06-08	VF2006
550i			3.9L F/I V6	06-07	VF2046	Cruze		
4.8L F/I V8	05-09	VF4000	Verano			1.4L F/I L4	11-15	VF2040
4.8L F/I V8 - E60, E61	2010	VF4000	2.0L F/I L4	13-15	VF2040	1.8L F/I L4	11-15	VF2040
630i			2.4L F/I L4	12-15	VF2040	2.0L DSL L4	14-15	VF2040
3.0L F/I L6	04-11	VF4000	CADILLAC	Year(s)	Part#	Equinox		
635d			CTS			2.4L F/I L4	10-16	VF2016
3.0L DSL L6	05-11	VF4000	2.8L F/I V6	05-07	VF2043	3.0L F/I V6	10-12	VF2016
645Ci			3.0L F/I V6	10-14	VF2043	3.6L F/I V6	13-16	VF2016
4.4L F/I V8	04-05	VF4000	3.2L F/I V6	03-04	VF2043	HHR		
650i			3.6L F/I V6	04-14	VF2043	2.0L F/I L4	08-10	VF2006
4.8L F/I V8	05-11	VF4000	6.2L F/I V8	2014	VF2043	2.2L F/I L4	06-11	VF2006
Alpina B5			CTS V-Sport			2.4L F/I L4	06-11	VF2006
4.4L F/I V8	05-10	VF4000	3.6L F/I V6	2014	VF2043	Impala		
Alpina B6			CTS-V			3.4L F/I V6	00-05	VF3000
4.4L F/I V8	06-10	VF4000	5.7L F/I V8	04-05	VF2043	3.5L F/I V6	06-11	VF3000
M5			6.0L F/I V8	06-07	VF2043	3.6L F/I V6	12-13	VF3000
5.0L F/I V10	05-10	VF4000	6.2L F/I V8	2009	VF2043	3.8L F/I V6	00-05	VF3000
M6				11-15	VF2043	3.9L F/I V6	06-11	VF3000
5.0L F/I V10	05-11	VF4000	DeVille			5.3L F/I V8	06-09	VF3000
BUICK	Year(s)	Part#	4.6L F/I V8	00-05	VF3001	Malibu		
Allure			DTS			2.0L F/I L4	13-15	VF2040
2.4L F/I L4	2010	VF2040	4.6L F/I V8	06-11	VF3001	2.4L F/I L4	13-14	VF2040
3.0L F/I V6	2010	VF2040	ELR			2.5L F/I L4	13-15	VF2040
3.6L F/I V6	05-08	VF3000	1.4L F/I L4	14-15	VF2040	Monte Carlo		
	2010	VF2040	Escalade			3.1L F/I V6	97-99	VF3000
3.8L F/I V6	05-09	VF3000	5.3L F/I V8	2002	VF1000	3.4L F/I V6	1997	VF3000
5.3L F/I V8	08-09	VF3000	6.0L F/I V8	2002	VF1000		00-05	VF3000
Century			6.2L F/I V8	2015	VF2044	3.5L F/I V6	06-07	VF3000
3.1L F/I V6	97-05	VF3000	Escalade ESV			3.8L F/I V6	98-05	VF3000
Enclave			6.2L F/I V8	2015	VF2044	3.9L F/I V6	2006	VF3000
3.6L F/I V6	08-16	VF1012	SRX			5.3L F/I V8	06-07	VF3000
Encore			2.8L F/I V6	10-11	VF2040	Orlando		
1.4L F/I L4	13-16	VF2040	3.0L F/I V6	10-11	VF2040	2.4L F/I L4	12-13	VF2040
LaCrosse			3.6L F/I V6	04-09	VF2043	Silverado 1500		
2.4L F/I L4	10-15	VF2040	4.6L F/I V8	04-09	VF2043	4.3L F/I V6	99-02	VF1000
3.0L F/I V6	2010	VF2040	STS				14-15	VF2044
3.6L F/I V6	05-08	VF3000	3.6L F/I V6	05-11	VF2043	4.8L F/I V8	99-02	VF1000
	10-15	VF2040	4.6L F/I V8	05-10	VF2043	5.3L F/I V8	99-02	VF1000
3.8L F/I V6	05-09	VF3000	STS-V				14-15	VF2044
5.3L F/I V8	08-09	VF3000	4.4L F/I V8	06-09	VF2043	6.2L F/I V8	14-15	VF2044
LeSabre			CHEVROLET	Year(s)	Part#	Silverado 1500 HD		
3.8L F/I V6	00-05	VF3001	Avalanche 1500			6.0L F/I V8	01-02	VF1000
Lucerne			5.3L F/I V8	2002	VF1000	Silverado 2500		
3.8L F/I V6	06-08	VF3001	Avalanche 2500			5.3L F/I V8	99-00	VF1000
3.9L F/I V6	09-11	VF3001	8.1L F/I V8	2002	VF1000		2002	VF1000
4.6L F/I V8	06-11	VF3001	Captiva Sport			6.0L F/I V8	99-02	VF1000
Regal			2.4L F/I L4	2008	VF2016	Silverado 2500 HD		
2.0L F/I L4	11-15	VF2040	3.0L F/I V6	11-13	VF2016	6.0L F/I V8	01-02	VF1000
2.4L F/I L4	11-15	VF2040					2015	VF2044
3.8L F/I V6	97-04	VF3000				6.6L DSL V8	01-02	VF1000

CABIN AIR FILTERS

CHEVROLET	Year(s)	Part#	CHRYSLER	Year(s)	Part#	CITROEN	Year(s)	Part#
Silverado 2500 HD			Cirrus			C4 Cactus		
6.6L DSL V8	2015	VF2044	2.4L F/I L4	08-10	VF2013	1.6L DSL L4	14-15	VF3016
8.1L F/I V8	01-02	VF1000	3.5L F/I V6	2008	VF2013	C4 II		
Silverado 3500			Grand Voyager			1.2L F/I L3	2016	VF3000
5.3L F/I V8	2002	VF1000	3.0L F/I V6	2000	VF3005	1.4L DSL L4	10-15	VF3000
6.0L F/I V8	01-02	VF1000	3.3L F/I V6	2000	VF3005	1.4L F/I L4	10-15	VF3000
6.6L DSL V8	01-02	VF1000	Pacifica			1.6L DSL L4	10-16	VF3000
8.1L F/I V8	01-02	VF1000	3.5L F/I V6	04-06	VF3005	1.6L F/I L4	10-15	VF3000
Silverado 3500 HD			3.8L F/I V6	05-08	VF3005	DS3		
6.0L F/I V8	2015	VF2044	4.0L F/I V6	07-08	VF3005	1.2L F/I L3	12-16	VF3016
6.6L DSL V8	2015	VF2044	Sebring			1.4L DSL L4	10-15	VF3016
Sonic			2.4L F/I L4	07-10	VF2013	1.4L F/I L4	10-12	VF3016
1.4L F/I L4	12-16	VF2040	2.7L F/I V6	07-10	VF2013	1.6L DSL L4	10-16	VF3016
1.8L F/I L4	12-16	VF2040	3.5L F/I V6	07-10	VF2013	1.6L F/I L4	10-16	VF3016
Spark			Town & Country			DODGE	Year(s)	Part#
1.2L F/I L4	13-15	VF2040	3.3L F/I V6	2010	VF2038	Avenger		
1.4L F/I L4	2016	VF2040	3.6L F/I V6	11-15	VF2038	2.4L F/I L4	08-14	VF2013
Suburban			3.8L F/I V6	2010	VF2038	2.7L F/I V6	08-10	VF2013
5.3L F/I V8	2015	VF2044	4.0L F/I V6	2010	VF2038	3.5L F/I V6	08-10	VF2013
Suburban 1500			Town & Country Van			3.6L F/I V6	11-14	VF2013
5.3L F/I V8	00-02	VF1000	3.3L F/I V6	01-07	VF3005	Caliber		
Suburban 2500			3.8L F/I V6	08-09	VF2038	1.8L F/I L4	07-09	VF2013
6.0L F/I V8	00-02	VF1000	4.0L F/I V6	01-07	VF3005	2.0L F/I L4	07-12	VF2013
8.1L F/I V8	01-02	VF1000	Voyager Van			2.4L F/I L4	07-11	VF2013
Tahoe			2.4L F/I L4	01-03	VF3005	Caliber SRT-4		
4.8L F/I V8	00-02	VF1000	3.3L F/I V6	01-03	VF3005	2.4L F/I L4	08-09	VF2013
5.3L F/I V8	00-02	VF1000	CITROEN	Year(s)	Part#	Caravan		
Traverse			C2			2.4L F/I L4	01-07	VF3005
3.6L F/I V6	09-16	VF1012	1.1L F/I L4	03-10	VF3000	3.3L F/I V6	01-07	VF3005
Trax			1.4L DSL L4	03-08	VF3000	Cargo Van		
1.4L F/I L4	2015	VF2040	1.4L F/I L4	03-10	VF3000	3.6L F/I V6	2012	VF2038
Uplander			1.6L DSL L4	05-10	VF3000	Challenger		
3.5L F/I V6	05-06	VF2046	1.6L F/I L4	03-10	VF3000	3.5L F/I V6	09-10	VF3007
3.9L F/I V6	06-09	VF2046	C3			3.6L F/I V6	11-16	VF2027
Venture			1.1L F/I L4	01-09	VF3000	5.7L F/I V8	09-10	VF3007
3.4L F/I V6	01-05	VF2046	1.4L DSL L4	01-09	VF3000	11-16	VF2027	
Volt			1.4L F/I L4	01-09	VF3000	6.1L F/I V8	08-10	VF3007
1.4L F/I L4	11-15	VF2040	1.6L DSL L4	05-09	VF3000	6.2L F/I V8	15-16	VF2027
CHRYSLER	Year(s)	Part#	1.6L F/I L4	01-09	VF3000	6.4L F/I V8	11-16	VF2027
200			C3 II			Charger		
2.4L F/I L4	11-14	VF2013	1.0L F/I L3	13-16	VF3016	2.7L F/I V6	06-10	VF3007
3.6L F/I V6	11-14	VF2013	1.1L F/I L4	10-12	VF3016	3.5L F/I V6	06-10	VF3007
300			1.2L F/I L3	12-16	VF3016	3.6L F/I V6	11-16	VF2027
2.7L F/I V6	05-10	VF3007	1.4L DSL L4	09-14	VF3016	5.7L F/I V8	06-10	VF3007
3.5L F/I V6	05-10	VF3007	1.4L F/I L4	09-12	VF3016	11-16	VF2027	
3.6L F/I V6	11-16	VF2027	1.6L DSL L4	09-16	VF3016	6.1L F/I V8	06-10	VF3007
5.7L F/I V8	12-16	VF2027	1.6L F/I L4	09-15	VF3016	6.2L F/I V8	15-16	VF2027
6.4L F/I V8	12-14	VF2027	C3 Picasso			6.4L F/I V8	12-16	VF2027
300C			1.2L F/I L3	15-16	VF3000	Grand Caravan		
3.5L F/I V6	2005	VF3007	1.4L F/I L4	09-15	VF3000	3.3L F/I V6	01-07	VF3005
3.6L F/I V6	14-15	VF2027	1.6L DSL L4	09-16	VF3000	08-10	VF2038	
5.7L F/I V8	05-10	VF3007	1.6L F/I L4	09-16	VF3000	3.6L F/I V6	11-15	VF2038
6.1L F/I V8	05-10	VF3007	C4 Cactus			3.8L F/I V6	01-07	VF3005
			1.2L F/I L3	14-15	VF3016	08-10	VF2038	
						4.0L F/I V6	08-10	VF2038

CABIN AIR FILTERS

DODGE	Year(s)	Part#	FORD	Year(s)	Part#	HONDA	Year(s)	Part#
Journey			Windstar			Accord		
2.4L F/I L4	09-16	VF2013	3.8L F/I V6	99-03	VF3002	3.0L F/I V6	98-02	VF3006
3.5L F/I V6	09-10	VF2013	GMC	Year(s)	Part#		03-07	VF2001
3.6L F/I V6	11-16	VF2013	Acadia			3.5L F/I V6	08-16	VF2001
Magnum			3.6L F/I V6	07-15	VF1012	Accord Crosstour		
2.7L F/I V6	05-08	VF3007	Sierra			3.5L F/I V6	10-11	VF2001
3.5L F/I V6	05-08	VF3007	5.3L F/I V8	2015	VF2044	Accord Hybrid		
5.7L F/I V8	05-08	VF3007	Sierra 1500			2.0L F/I L4	14-15	VF2001
6.1L F/I V8	06-08	VF3007	4.3L F/I V6	99-02	VF1000	3.0L F/I V6	05-07	VF2001
FORD	Year(s)	Part#		14-15	VF2044	Civic		
Edge			4.8L F/I V8	99-02	VF1000	1.3L F/I L4	03-05	VF2022
2.0L F/I L4	12-16	VF2019	5.3L F/I V8	99-02	VF1000		06-11	VF2001
2.7L F/I V6	15-16	VF2019		14-15	VF2044	1.5L F/I L4	12-15	VF2001
3.5L F/I V6	07-16	VF2019	Sierra 1500 HD			1.8L F/I L4	06-15	VF2001
3.7L F/I V6	11-14	VF2019	6.0L F/I V8	01-02	VF1000	Civic DX		
Explorer			Sierra 2500			1.7L F/I L4	01-05	VF2022
2.0L F/I L4	12-15	VF1011	5.3L F/I V8	99-00	VF1000	Civic EX		
3.5L F/I V6	11-15	VF1011	6.0L F/I V8	99-02	VF1000	1.7L F/I L4	01-05	VF2022
Explorer Sport			Sierra 2500 HD			Civic GX		
3.5L F/I V6	13-15	VF1011	6.0L F/I V8	01-02	VF1000	1.7L F/I L4	01-05	VF2022
Flex				2015	VF2044	1.8L F/I L4	06-11	VF2001
3.5L F/I V6	10-15	VF1011	6.6L DSL V8	01-02	VF1000	Civic HX		
Freestar			8.1L F/I V8	01-02	VF1000	1.7L F/I L4	01-05	VF2022
3.9L F/I V6	04-07	VF3002	Sierra 3500			Civic LX		
4.2L F/I V6	04-07	VF3002	6.0L F/I V8	01-02	VF1000	1.7L F/I L4	01-05	VF2022
Fusion			6.6L DSL V8	01-02	VF1000	Civic Si		
2.5L F/I L4	10-12	VF2041	8.1L F/I V8	01-02	VF1000	1.7L F/I L4	02-05	VF2022
3.0L F/I V6	10-12	VF2041	Sierra 3500 HD			2.0L F/I L4	02-05	VF2022
3.5L F/I V6	10-12	VF2041	6.0L F/I V8	2015	VF2044		06-11	VF2001
Fusion Hybrid			Sierra C3			2.4L F/I L4	12-15	VF2001
2.5L F/I L4	2010	VF2041	6.0L F/I V8	2001	VF1000	Civic Value Package		
Mustang			Terrain			1.7L F/I L4	04-05	VF2022
3.7L F/I V6	11-14	VF2020	2.4L F/I L4	10-16	VF2016	CR-V		
4.0L F/I V6	05-10	VF2020	3.0L F/I V6	10-12	VF2016	2.4L F/I L4	02-06	VF2022
4.6L F/I V8	07-10	VF2020	3.6L F/I V6	13-16	VF2016		07-16	VF2001
Mustang Boss 302			Yukon			CR-Z		
5.0L F/I V8	12-13	VF2020	4.8L F/I V8	00-02	VF1000	1.5L F/I L4	11-15	VF2033
Mustang Bullitt			5.3L F/I V8	00-02	VF1000	Crosstour		
4.6L F/I V8	08-09	VF2020		2015	VF2044	2.4L F/I L4	12-14	VF2001
Mustang GT			Yukon Denali			3.5L F/I V6	12-14	VF2001
4.6L F/I V8	05-10	VF2020	6.0L F/I V8	01-02	VF1000	Element		
5.0L F/I V8	11-14	VF2020	6.2L F/I V8	2015	VF2044	2.4L F/I L4	03-11	VF2022
Mustang Shelby			Yukon Denali XL			Fit		
5.4L F/I V8	07-09	VF2020	6.0L F/I V8	01-02	VF1000	Electric	2014	VF2033
Mustang Shelby GT500			6.2L F/I V8	2015	VF2044	1.5L F/I L4	09-13	VF2033
5.4L F/I V8	10-12	VF2020	Yukon XL				15-16	VF2033
5.8L F/I V8	13-14	VF2020	5.3L F/I V8	2015	VF2044	HR-V		
Taurus			Yukon XL 1500			1.8L F/I L4	2016	VF2033
2.0L F/I L4	13-15	VF1011	5.3L F/I V8	00-02	VF1000	Insight		
3.5L F/I V6	10-15	VF1011	Yukon XL 2500			1.3L F/I L4	10-14	VF2033
Taurus SHO			6.0L F/I V8	00-02	VF1000	Odyssey		
3.5L F/I V6	10-15	VF1011	8.1L F/I V8	01-02	VF1000	3.5L F/I V6	99-04	VF3004
Thunderbird			HONDA	Year(s)	Part#		05-16	VF2001
3.9L F/I V8	02-05	VF3008	Accord			Pilot		
Windstar			2.3L F/I L4	98-02	VF3006	3.5L F/I V6	03-08	VF3004
3.0L F/I V6	99-00	VF3002	2.4L F/I L4	03-16	VF2001		09-16	VF2001

CABIN AIR FILTERS

HONDA	Year(s)	Part#	HYUNDAI	Year(s)	Part#	JEEP	Year(s)	Part#	
Ridgeline			Sonata			Wrangler			
3.5L F/I V6	06-14	VF2001	2.4L F/I L4 - Exc. Auto Temp Control	06-10	VF2010	3.6L F/I V6	12-15	VF1010	
			2.5L F/I V6	99-01	VF1003	3.8L F/I V6	2011	VF1010	
			2.7L F/I V6	02-05	VF1003				
			3.3L F/I V6 - Exc. Auto Temp Control	06-10	VF2010	KIA	Year(s)	Part#	
			Sonata Hybrid			Borrego			
			2.4L F/I L4	11-14	VF2016	3.8L F/I V6	09-11	VF2042	
Accent			Tiburon			4.6L F/I V8	09-11	VF2042	
1.6L F/I L4	08-11	VF2037	2.0L F/I L4	03-08	VF2014	Cadenza			
	12-16	VF2007	2.7L F/I V6	06-08	VF2014	3.3L F/I V6	14-16	VF2016	
Accent IV			Tiburon GT			Cerato			
1.4L F/I L4	11-15	VF2007	2.7L F/I V6	03-05	VF2014	1.6L F/I L4	08-12	VF2007	
Azera			Tiburon SE			2.0L F/I L4	08-12	VF2007	
3.3L F/I V6	07-11	VF2010	2.7L F/I V6	2005	VF2014	Forte			
	12-16	VF2016	Tucson			1.6L F/I L4	15-16	VF2037	
3.8L F/I V6	06-11	VF2010	1.6L F/I L4	2016	VF2007	1.8L F/I L4	15-16	VF2037	
Elantra			2.0L DSL L4 - Exc. HCC HVAC System	04-10	VF2007	2.0L F/I L4	10-13	VF2007	
1.8L F/I L4	11-16	VF2037	2.0L F/I L4	11-14	VF2007	2.4L F/I L4	10-13	VF2007	
2.0L F/I L4	01-06	VF2014		2016	VF2007	Forte Koup			
	07-10	VF2037	2.0L F/I L4 - Exc. HCC HVAC System	04-09	VF2007	1.6L F/I L4	15-16	VF2037	
	14-16	VF2037	2.4L F/I L4	11-15	VF2007	2.0L F/I L4	10-13	VF2007	
Elantra Coupe			2.4L F/I L4 - Exc. HCC HVAC System	2010	VF2007	2.4L F/I L4	10-13	VF2007	
1.8L F/I L4	13-14	VF2037	2.7L F/I V6 - Exc. HCC HVAC System	04-09	VF2007	Forte5			
2.0L F/I L4	2014	VF2037	Veloster			2.0L F/I L4	12-13	VF2007	
Elantra GT			1.6L F/I L4	12-16	VF2007	2.4L F/I L4	12-13	VF2007	
1.8L F/I L4	2013	VF2037	Veloster Turbo			Magentis			
2.0L F/I L4	14-16	VF2037	1.6L F/I L4	13-16	VF2007	2.4L F/I L4	07-10	VF2010	
Entourage			XG300			2.7L F/I V6	07-10	VF2010	
3.8L F/I V6	07-10	VF2014	3.0L F/I V6	2001	VF1003	Optima			
Genesis Coupe			XG350			2.0L F/I L4	11-14	VF2016	
2.0L F/I L4	10-14	VF2007	3.5L F/I V6	02-05	VF1003	2.4L F/I L4	2005	VF1003	
3.8L F/I V6	10-16	VF2007	INFINITI	Year(s)	Part#	06-10	VF2010	06-10	VF2010
i40			FX35			Rio			
1.6L F/I L4	01-16	VF2007	3.5L F/I V6	03-08	VF2004	1.6L F/I L4	06-16	VF2007	
1.7L DSL L4	11-16	VF2007	FX45			Rio II			
2.0L F/I L4	11-16	VF2007	4.5L F/I V8	03-08	VF2004	1.2L F/I L4	05-11	VF2007	
Santa Fe			G35			1.4L F/I L4	05-11	VF2007	
2.0L F/I L4	13-15	VF2016	3.5L F/I V6	03-08	VF2004	1.5L DSL L4	05-11	VF2007	
2.4L F/I L4	01-06	VF1003	QX56			1.6L F/I L4	05-11	VF2007	
	2010	VF2026	5.6L F/I V8	04-10	VF1002	Rio III			
	2012	VF2010	JAGUAR	Year(s)	Part#	1.1L DSL L4 - Exc. Production Facility Russia	11-15	VF2007	
	2012	VF2010	S-Type			1.1L DSL L4 - Exc. Production Facility Turkey	2016	VF2007	
	2012	VF2010	3.0L F/I V6	00-02	VF3008	1.2L F/I L4 - Exc. Production Facility Russia	11-15	VF2007	
	2012	VF2010	4.0L F/I V8	00-02	VF3008	1.2L F/I L4 - Exc. Production Facility Turkey	2016	VF2007	
2.4L F/I L4 - From 12/8/10	2011	VF2010	JEEP	Year(s)	Part#	1.2L F/I L4 - Exc. Production Facility Russia	11-15	VF2007	
2.4L F/I L4 - To 12/8/10	2011	VF2026	Compass			1.2L F/I L4 - Exc. Production Facility Turkey	11-15	VF2007	
2.7L F/I V6	01-06	VF1003	2.0L F/I L4	07-16	VF2013	1.4L DSL L4 - Exc. Production Facility Russia	11-15	VF2007	
3.3L F/I V6	13-15	VF2016	2.4L F/I L4	07-16	VF2013	Patriot			
3.5L F/I V6	03-06	VF1003	Patriot			2.0L F/I L4	07-16	VF2013	
	2010	VF2026	2.0L F/I L4	07-16	VF2013	2.4L F/I L4	07-16	VF2013	
	2012	VF2010	Wrangler			2.8L DSL L4	11-16	VF1010	
	2012	VF2010	2.8L DSL L4	11-16	VF1010				
3.5L F/I V6 - From 12/8/10	2011	VF2010							
3.5L F/I V6 - To 12/8/10	2011	VF2026							
Santa Fe XL									
3.3L F/I V6	13-15	VF2016							
Sonata									
2.0L F/I L4	11-14	VF2016							
2.4L F/I L4	99-05	VF1003							
	11-14	VF2016							

CABIN AIR FILTERS

KIA	Year(s)	Part#	LEXUS	Year(s)	Part#	LINCOLN	Year(s)	Part#
Rio III			GS460			MKZ		
1.4L DSL L4 - Exc. Production Facility Turkey	2016	VF2007	4.6L F/I V8	08-11	VF2000	2.5L F/I L4	11-12	VF2041
1.4L F/I L4 - Exc. Production Facility Russia	11-15	VF2007	GX460	10-16	VF2000	3.5L F/I V6	10-12	VF2041
1.4L F/I L4 - Exc. Production Facility Turkey	2016	VF2007	GX470	03-09	VF2002	MAZDA	Year(s)	Part#
1.6L F/I L4 - Exc. Production Facility Russia	11-14	VF2007	4.7L F/I V8			6		
Rio5			HS250h			2.3L F/I L4	03-08	VF2018
1.6L F/I L4	06-12	VF2007	2.4L F/I L4	10-12	VF2000	3.0L F/I V6	03-08	VF2018
Rondo			IS F			CX-9		
2.4L F/I L4	07-12	VF2007	5.0L F/I V8	08-13	VF2000	3.5L F/I V6	2007	VF2019
2.7L F/I V6	07-12	VF2007	IS250			3.7L F/I V6	08-15	VF2019
Sedona			2.5L F/I V6	06-13	VF2000	MPV		
3.5L F/I V6	11-12	VF2016	IS300	01-05	VF2008	2.5L F/I V6	00-01	VF2002
	2014	VF2016	3.0L F/I L6			3.0L F/I V6	02-03	VF2002
3.8L F/I V6	06-10	VF2014	IS350	06-13	VF2000	MERCURY	Year(s)	Part#
Sorento			3.5L F/I V6			Milan		
2.4L F/I L4	11-14	VF2026	LFA	2012	VF2000	2.5L F/I L4	10-11	VF2041
3.3L F/I V6	2014	VF2026	4.8L F/I V10			3.0L F/I V6	10-11	VF2041
3.5L F/I V6	11-13	VF2026	LS430	01-06	VF2045	Milan Hybrid	2010	VF2041
Spectra			4.3L F/I V8			Monterey Van		
2.0L F/I L4	05-09	VF2042	LS460	07-16	VF2000	4.2L F/I V6	04-07	VF3002
Spectra5			4.6L F/I V8			MITSUBISHI	Year(s)	Part#
2.0L F/I L4	05-09	VF2042	LX570	08-11	VF2000	Endeavor		
Sportage			5.7L F/I V8	13-16	VF2000	3.8L F/I V6	04-08	VF2002
2.0L DSL L4 - from 7/05, Left Hand Drive	2005	VF2007	NX200t	15-16	VF2000		10-11	VF2002
2.0L DSL L4 - Left Hand Drive	06-10	VF2007	2.0L F/I L4			Galant		
2.0L F/I L4	05-16	VF2007	NX300h	15-16	VF2000	2.4L F/I L4	04-12	VF2002
2.4L F/I L4	11-16	VF2007	2.5L F/I L4			3.8L F/I V6	04-09	VF2002
2.7L F/I V6	05-10	VF2007	RX300	99-03	VF2008	Lancer		
LEXUS	Year(s)	Part#	3.0L F/I V6			2.0L F/I L4	08-15	VF2004
CT200h			RX330	04-06	VF2002	2.4L F/I L4	09-15	VF2004
1.8L F/I L4	11-16	VF2000	3.3L F/I V6	04-06	VF2002	Lancer Evolution	14-15	VF2004
ES300			RX350	07-09	VF2002	Lancer Evolution GSR		
3.0L F/I V6	02-03	VF2002	3.5L F/I V6	10-15	VF2000	2.0L F/I L4	08-14	VF2004
ES300h			SC430	02-10	VF2045	Lancer Evolution MR	08-14	VF2004
2.5L F/I L4	13-16	VF2000	LINCOLN	Year(s)	Part#	Lancer Evolution RS	2009	VF2004
ES330			LS			Lancer Ralliart	09-15	VF2004
3.3L F/I V6	04-06	VF2002	3.0L F/I V6	00-02	VF3008	Lancer Sportback	2012	VF2004
ES350			3.9L F/I V8	00-02	VF3008	Outlander		
3.5L F/I V6	07-16	VF2000	MKS	10-15	VF1011	2.4L F/I L4	08-16	VF2004
GS300			3.5L F/I V6	10-14	VF1011	3.0L F/I V6	07-16	VF2004
3.0L F/I L6	01-05	VF2045	3.7L F/I V6	10-14	VF1011	Outlander Sport		
3.0L F/I V6	2006	VF2000	MKT	2014	VF1011	2.0L F/I L4	11-16	VF2004
GS350			2.0L F/I L4	10-14	VF1011	2.4L F/I L4	15-16	VF2004
3.5L F/I V6	07-11	VF2000	3.5L F/I V6	10-14	VF1011	RVR		
GS430			3.7L F/I V6	10-14	VF1011	2.0L F/I L4	11-13	VF2004
4.3L F/I V8	01-05	VF2045	MKX	07-10	VF2019	NISSAN	Year(s)	Part#
	06-07	VF2000	3.5L F/I V6	11-15	VF2019	Altima		
GS450h			3.7L F/I V6			2.5L F/I L4	02-06	VF2004
3.5L F/I V6	07-11	VF2000				3.5L F/I V6	02-06	VF2004

CABIN AIR FILTERS

NISSAN	Year(s)	Part#	PEUGEOT	Year(s)	Part#	SATURN	Year(s)	Part#
Armada			208			Vue		
5.6L F/I V8	05-15	VF1002	1.6L F/I L4	12-16	VF3016	2.4L F/I L4	08-10	VF2016
Frontier			208 GT			SCION	Year(s)	Part#
2.5L F/I L4	05-16	VF1001	1.6L F/I L4	14-15	VF3016	iM		
4.0L F/I V6	05-16	VF1001	308			1.8L F/I L4	2016	VF2000
Maxima			1.4L F/I L4	07-14	VF3000	tC		
3.5L F/I V6	04-08	VF2004	1.6L DSL L4	07-14	VF3000	2.4L F/I L4	08-10	VF2009
Murano			1.6L F/I L4	07-14	VF3000	2.5L F/I L4	11-16	VF2000
3.5L F/I V6	03-07	VF2004	2.0L DSL L4	07-13	VF3000	xA		
Navara			RCZ			1.5L F/I L4	04-06	VF2009
2.5L DSL L4	05-15	VF1001	1.6L F/I L4	10-16	VF3000	xB		
3.0L DSL V6	10-15	VF1001	2.0L DSL L4	10-16	VF3000	1.5L F/I L4	04-06	VF2009
NP300			PONTIAC	Year(s)	Part#	2.4L F/I L4	08-15	VF2000
2.5L DSL L4	08-15	VF1001	Aztek			xD		
Pathfinder			3.4L F/I V6	01-05	VF2046	1.8L F/I L4	08-14	VF2000
2.5L DSL L4	05-15	VF1001	Bonneville			SUBARU	Year(s)	Part#
3.0L DSL V6	10-15	VF1001	3.8L F/I V6	00-05	VF3001	B9 Tribeca		
4.0L F/I V6	05-12	VF1001	4.6L F/I V8	04-05	VF3001	3.0L F/I H6	06-07	VF2002
5.6L F/I V8	2004	VF1002	G5			Legacy		
	08-12	VF1001	2.2L F/I L4	07-10	VF2006	2.5L F/I H4	05-09	VF2002
Sentra			2.4L F/I L4	07-08	VF2006		10-16	VF2000
1.8L F/I L4	00-06	VF2004	Grand Prix			3.0L F/I H6	08-09	VF2002
2.0L F/I L4	00-01	VF2004	3.8L F/I V6	04-08	VF3000	3.6L F/I H6	10-16	VF2000
2.5L F/I L4	02-06	VF2004	5.3L F/I V8	05-08	VF3000	Legacy GT		
Titan			Montana			2.5L F/I H4	05-09	VF2002
5.6L F/I V8	04-15	VF1002	3.4L F/I V6	01-05	VF2046	Outback		
Xterra			3.5L F/I V6	05-06	VF2046	2.5L F/I H4	05-09	VF2002
4.0L F/I V6	05-14	VF1001	3.9L F/I V6	06-09	VF2046		10-16	VF2000
OLDSMOBILE	Year(s)	Part#	Pursuit			3.0L F/I H6	05-09	VF2002
Aurora			2.2L F/I L4	05-06	VF2006	3.6L F/I H6	10-16	VF2000
3.5L F/I V6	01-02	VF3001	2.4L F/I L4	2006	VF2006	Outback XT		
4.0L F/I V8	01-03	VF3001	Vibe			2.5L F/I H4	05-06	VF2002
Intrigue			1.8L F/I L4	03-08	VF2005	Tribeca		
3.5L F/I V6	99-02	VF3000		09-10	VF2000	3.6L F/I H6	08-14	VF2002
3.8L F/I V6	98-99	VF3000	2.4L F/I L4	09-10	VF2000	SUZUKI	Year(s)	Part#
Silhouette			Vibe GT			Equator		
3.4L F/I V6	01-04	VF2046	1.8L F/I L4	03-06	VF2005	2.5L F/I L4	09-12	VF1001
PEUGEOT	Year(s)	Part#	RAM	Year(s)	Part#	4.0L F/I V6	09-12	VF1001
2008			Cargo Van			TOYOTA	Year(s)	Part#
1.2L F/I L3	13-16	VF3016	3.6L F/I V6	12-15	VF2038	4 Runner		
1.4L DSL L4	13-14	VF3016	SAAB	Year(s)	Part#	2.7L F/I L4	2010	VF2000
1.6L DSL L4	13-16	VF3016	9-4X			4.0L F/I V6	03-09	VF2002
1.6L F/I L4	13-15	VF3016	2.8L F/I V6	2011	VF2040		10-16	VF2000
207			3.0L F/I V6	2011	VF2040	4.7L F/I V8	03-09	VF2002
1.4L DSL L4	06-13	VF3016	9-5			Avalon		
1.4L F/I L4	06-14	VF3016	2.0L F/I L4	2011	VF2040	2.5L F/I L4	13-16	VF2000
1.6L DSL L4	06-15	VF3016	2.8L F/I V6	10-11	VF2040	3.0L F/I V6	00-04	VF2002
1.6L F/I L4	06-15	VF3016	SATURN	Year(s)	Part#	3.5L F/I V6	05-16	VF2000
207 RC			Ion			Camry		
1.6L F/I L4	07-09	VF3016	2.0L F/I L4	04-07	VF2006	2.4L F/I L4	02-06	VF2002
208			Outlook				07-09	VF2000
1.0L F/I L3	12-16	VF3016	3.6L F/I V6	07-10	VF1012	2.5L F/I L4	10-16	VF2000
1.2L F/I L3	12-16	VF3016	Relay			3.0L F/I V6	02-06	VF2002
1.4L DSL L4	12-15	VF3016	3.5L F/I V6	2006	VF2046	3.3L F/I V6	04-06	VF2002
1.4L F/I L4	12-14	VF3016	3.9L F/I V6	06-07	VF2046	3.5L F/I V6	07-16	VF2000
1.6L DSL L4	12-16	VF3016						

CABIN AIR FILTERS

TOYOTA	Year(s)	Part#	TOYOTA	Year(s)	Part#	VOLKSWAGEN	Year(s)	Part#
Camry Hybrid			Sienna			CC		
2.4L F/I L4	07-11	VF2000	2.7L F/I L4	11-12	VF2000	1.8L F/I L4	11-15	VF3013
2.5L F/I L4	12-16	VF2000	3.3L F/I V6	04-06	VF2002	2.0L DSL L4	12-15	VF3013
Celica GT			3.5L F/I V6	07-10	VF2002	2.0L F/I L4	09-15	VF3013
1.8L F/I L4	00-05	VF2002		11-15	VF2000	3.6L F/I V6	09-15	VF3013
Celica GTS			Solara			Derby		
1.8L F/I L4	00-05	VF2002	2.4L F/I L4	04-08	VF2002	1.8L F/I L4	99-05	VF2012
Corolla			3.3L F/I V6	04-08	VF2002	2.0L F/I L4	2003	VF2012
1.8L F/I L4	02-08	VF2003	Tacoma			Eos		
	09-16	VF2000	2.7L F/I L4	05-16	VF2005	1.4L F/I L4	07-14	VF3013
2.4L F/I L4	09-13	VF2000	3.5L F/I V6	2016	VF2005	1.6L F/I L4	06-08	VF3013
Echo			4.0L F/I V6	05-15	VF2005	2.0L DSL L4	06-14	VF3013
1.5L F/I L4	00-05	VF2009	Tundra			2.0L F/I L4	06-14	VF3013
FJ Cruiser			4.0L F/I V6	07-14	VF2000	3.2L F/I V6	06-09	VF3013
4.0L F/I V6	07-14	VF2002	4.6L F/I V8	10-16	VF2000	3.6L F/I V6	09-10	VF3013
Highlander			4.7L F/I V8	07-09	VF2000	Golf		
2.4L F/I L4	01-07	VF2008	5.7L F/I V8	07-16	VF2000	1.8L F/I L4	1993	VF2012
2.7L F/I L4	09-16	VF2000	Venza				95-01	VF2012
3.0L F/I V6	01-03	VF2008	2.7L F/I L4	09-15	VF2000		2015	VF2047
3.3L F/I V6	04-07	VF2008	3.5L F/I V6	09-15	VF2000	1.9L DSL L4	93-06	VF2012
3.5L F/I V6	08-13	VF2000	Yaris			2.0L DSL L4	10-14	VF3013
	15-16	VF2000	1.5L F/I L4	06-16	VF2000		2015	VF2047
Highlander Hybrid			Yaris Hybrid			2.0L F/I L4	93-06	VF2012
3.3L F/I V6	06-07	VF2008	1.5L F/I L4	15-16	VF2000		12-13	VF3013
	08-10	VF2000	VOLKSWAGEN	Year(s)	Part#	2.5L F/I L5	10-14	VF3013
3.5L F/I V6	11-13	VF2000	Beetle			2.8L F/I V6	1995	VF2012
	2015	VF2000	1.2L F/I L4	11-15	VF3013	Golf City		
Land Cruiser			1.4L F/I L4	11-15	VF3013	2.0L F/I L4	07-10	VF2012
5.7L F/I V8	08-11	VF2000	1.6L DSL L4	11-15	VF3013	Golf GTI		
	13-16	VF2000	1.8L F/I L4	99-05	VF2012	1.8L F/I L4	00-06	VF2012
Matrix				13-14	VF3013	2.0L F/I L4	99-03	VF2012
1.8L F/I L4	03-08	VF2003	1.9L DSL L4	98-06	VF2012	2.8L F/I V6	96-05	VF2012
	09-13	VF2000	2.0L DSL L4	14-15	VF3013	Golf Plus		
2.4L F/I L4	09-13	VF2000	2.0L F/I L4	98-05	VF2012	1.2L F/I L4	09-14	VF3013
Matrix XR				12-14	VF3013	1.4L F/I L4	03-09	VF3013
1.8L F/I L4	03-06	VF2003	2.5L F/I L5	06-10	VF2012	1.6L DSL L4	09-14	VF3013
Matrix XRS				12-14	VF3013	1.6L F/I L4	03-14	VF3013
1.8L F/I L4	03-06	VF2003	Beetle Cabrio			1.9L DSL L4	03-09	VF3013
Prius			2.5L F/I L5	2010	VF2012	2.0L DSL L4	03-14	VF3013
1.5L F/I L4	01-09	VF2002	Cabrio			2.0L F/I L4	03-14	VF3013
1.8L F/I L4	10-15	VF2000	2.0L F/I L4	00-02	VF2012	Golf R32		
Prius C			Caddy III			3.2L F/I V6	2004	VF2012
1.5L F/I L4	12-15	VF2000	1.4L F/I L4	04-10	VF3013	Golf Sportsvan		
Prius V			1.6L F/I L4	04-10	VF3013	1.2L F/I L4	14-15	VF2047
1.8L F/I L4	12-16	VF2000	1.9L DSL L4	04-10	VF3013	1.4L F/I L4	14-15	VF2047
RAV4			2.0L DSL L4	04-10	VF3013	1.6L DSL L4	14-15	VF2047
2.0L F/I L4	01-03	VF2009	2.0L F/I L4	06-10	VF3013	2.0L DSL L4	14-15	VF2047
2.4L F/I L4	04-05	VF2009	Caddy IV			Golf V		
	06-08	VF2000	1.2L F/I L4	10-15	VF3013	1.4L F/I L4	03-09	VF3013
2.5L F/I L4	09-15	VF2000	1.6L DSL L4	10-15	VF3013	1.6L F/I L4	03-09	VF3013
3.5L F/I V6	06-12	VF2000	1.6L F/I L4	10-15	VF3013	1.9L DSL L4	03-09	VF3013
Sequoia			2.0L DSL L4	10-15	VF3013	2.0L DSL L4	03-09	VF3013
4.6L F/I V8	10-12	VF2000	2.0L F/I L4	10-15	VF3013	2.0L F/I L4	03-09	VF3013
4.7L F/I V8	08-09	VF2000	CC			3.2L F/I V6	05-09	VF3013
5.7L F/I V8	08-16	VF2000	1.4L F/I L4	11-14	VF3013	Golf VI		
			1.4L F/I L4 - To 4/15	2015	VF3013	1.2L F/I L4	09-14	VF3013

CABIN AIR FILTERS

VOLKSWAGEN	Year(s)	Part#	VOLKSWAGEN	Year(s)	Part#
Golf VI			Passat		
1.4L F/I L4	08-14	VF3013	1.8L F/I L4	07-11	VF3013
1.6L DSL L4	09-14	VF3013		2014	VF3013
1.6L F/I L4	08-14	VF3013	1.9L DSL L4	05-08	VF3013
1.8L F/I L4	09-14	VF3013	2.0L DSL L4	2004	VF2012
2.0L DSL L4	08-14	VF3013		06-10	VF3013
2.0L F/I L4	09-14	VF3013		12-14	VF3013
2.5L F/I L5	09-14	VF3013	2.0L DSL L4 - Non-US	2005	VF3013
Golf VII			2.0L DSL L4 - Non-US, 150/190BHP	2015	VF2047
1.2L F/I L4	12-15	VF2047	2.0L DSL L4 - US	2005	VF2012
1.4L F/I L4	12-15	VF2047	2.0L F/I L4	06-10	VF3013
1.6L DSL L4	12-15	VF2047		12-14	VF3013
2.0L DSL L4	12-15	VF2047	2.5L F/I L5	12-14	VF3013
2.0L F/I L4	13-15	VF2047	2.8L F/I V6	02-05	VF2012
GTI			3.6L F/I V6	06-10	VF3013
2.0L F/I L4	06-08	VF2012		12-14	VF3013
	2009	VF3013	4.0L F/I W8	02-04	VF2012
	2015	VF2047	Passat CC		
Jetta			1.8L F/I L4	08-11	VF3013
1.8L F/I L4	93-95	VF2012	2.0L DSL L4	08-10	VF3013
	00-05	VF2012		2012	VF3013
	2014	VF3013	2.0L F/I L4	08-10	VF3013
1.9L DSL L4	93-04	VF2012	3.6L F/I V6	09-10	VF3013
	2006	VF3013		2012	VF3013
1.9L DSL L4 - BEW Eng.	2005	VF2012	R32		
1.9L DSL L4 - BRM Eng.	2005	VF3013	3.2L F/I V6	2008	VF3013
2.0L DSL L4	09-14	VF3013	Rabbit		
2.0L F/I L4	93-05	VF2012	2.5L F/I L5	06-09	VF3013
	06-14	VF3013	Scirocco		
2.5L F/I L5	05-14	VF3013	1.4L F/I L4	08-15	VF3013
2.8L F/I V6	94-04	VF2012	2.0L DSL L4	08-15	VF3013
Jetta City			2.0L F/I L4	08-15	VF3013
2.0L F/I L4	07-09	VF2012	Sharan II		
Jetta GLi			1.4L F/I L4	10-15	VF3013
2.0L F/I L4	06-10	VF3013	1.8L F/I L4	12-15	VF3013
	12-14	VF3013	2.0L DSL L4	10-15	VF3013
			2.0L F/I L4	10-15	VF3013
Jetta Hybrid			Tiguan		
1.4L F/I L4	13-14	VF3013	1.4L F/I L4	07-14	VF3013
Jetta V			2.0L DSL L4	07-14	VF3013
1.2L F/I L4	11-14	VF3013	2.0L F/I L4	07-14	VF3013
1.4L F/I L4	06-14	VF3013	Touran		
1.6L DSL L4	09-14	VF3013	1.2L F/I L4	10-15	VF3013
1.6L F/I L4	05-14	VF3013	1.4L F/I L4	06-15	VF3013
1.8L F/I L4	13-14	VF3013	1.6L DSL L4	10-15	VF3013
1.9L DSL L4	05-10	VF3013	1.6L F/I L4	03-10	VF3013
2.0L DSL L4	05-14	VF3013	1.9L DSL L4	03-10	VF3013
2.0L F/I L4	05-14	VF3013	2.0L DSL L4	03-15	VF3013
2.5L F/I L5	05-13	VF3013	2.0L F/I L4	03-09	VF3013
Passat			Van		
1.4L F/I L4	07-14	VF3013	1.8L F/I L4	03-09	VF2012
	2015	VF2047			
1.6L DSL L4	09-14	VF3013			
	2015	VF2047			
1.6L F/I L4	05-10	VF3013			
1.8L F/I L4	02-05	VF2012			

PERFORMANCE FUEL FILTERS

ACURA	Year(s)	Part#	BUICK	Year(s)	Part#	CADILLAC	Year(s)	Part#
CL			Skylark			Seville		
2.2L F/I L4	1997	PF-1200	2.5L F/I L4	85-91	PF-1000	4.6L F/I V8	98-05	PF-2100
2.3L F/I L4	98-99	PF-1200	2.8L F/I V6	1985	PF-1000	4.9L F/I V8	1993	PF-2400
3.0L F/I V6	97-99	PF-1200	225 CARB V6	65-66	PF-1300	XLR		
Integra			3.0L F/I V6	86-88	PF-1000	4.6L F/I V8	04-05	PF-2100
1.8L F/I L4	88-01	PF-1200	3.1L F/I V6	94-98	PF-2100	CHEVROLET	Year(s)	Part#
Integra GS-R			3.3L F/I V6	89-91	PF-1000	Astro		
1.8L F/I L4	94-01	PF-1200		92-93	PF-2100	2.5L F/I L4	85-91	PF-1000
Integra Type R			300 CARB V8 - Exc. Calif, w/ A/C	64-66	PF-1300	4.3L CPI V6	92-94	PF-1000
1.8L F/I L4	97-01	PF-1200	400 CARB V8 - Exc. Calif, w/ A/C	65-66	PF-1300	4.3L F/I V6	86-91	PF-1000
TL			401 CARB V8 - Exc. Calif, w/ A/C	65-66	PF-1300	4.3L TBI V6	95-05	PF-1000
2.5L F/I L5	95-98	PF-1200	CADILLAC	Year(s)	Part#	Avalanche 1500		
3.2L F/I V6	96-98	PF-1200	Allure			5.3L F/I V8	2004	PF-2500
BUICK	Year(s)	Part#	Allante			5.3L F/I V8 - Mexico	2003	PF-2500
Allure			4.1L F/I V8	87-88	PF-1000		2005	PF-1000
3.6L F/I V6	2005	PF-2100	4.5L F/I V8	89-92	PF-1000	5.3L F/I V8 - US	02-03	PF-1000
3.8L F/I V6	2005	PF-2100	4.6L F/I V8	1993	PF-2400	8.1L F/I V8	02-03	PF-1000
Century			Catera			Avalanche 2500		
2.2L F/I L4	93-94	PF-2400	3.0L F/I V6	97-01	PF-2100	5.3L F/I V8	2005	PF-1000
2.5L F/I L4	84-88	PF-1000	Cimarron			5.3L F/I V8 - w/4-9/32 Length	02-04	PF-1000
	1992	PF-2400	2.0L F/I L4	83-86	PF-1000	5.3L F/I V8 - w/5-7/16 Length	02-04	PF-2500
2.8L CARB V6	1985	PF-1000	2.8L F/I V6	85-88	PF-1000	8.1L F/I V8	02-03	PF-1000
2.8L F/I V6	87-88	PF-1000	CTS			Bel Air		
3.1L F/I V6	1994	PF-2400	3.2L F/I V6	03-04	PF-2100	235 CARB L6	56-57	PF-1300
	97-05	PF-2100	DeVille			265 CARB V8	56-57	PF-1300
3.3L F/I V6	92-93	PF-2400	4.1L F/I V8	86-87	PF-1000	348 CARB V8	58-59	PF-1300
3.8L F/I V6	86-88	PF-1000	4.5L F/I V8	88-90	PF-1000	Beretta		
LeSabre			4.6L F/I V8	1996	PF-2400	2.0L F/I L4	87-89	PF-1000
3.0L F/I V6	1986	PF-1000		00-05	PF-2100	2.2L F/I L4	1992	PF-2400
3.8L F/I V6	86-91	PF-1000	4.9L F/I V8	91-95	PF-2400		93-96	PF-2100
	92-93	PF-2400	Eldorado			2.3L F/I L4	1992	PF-2400
	94-05	PF-2100	4.1L F/I V8	86-87	PF-1000		93-94	PF-2100
300 CARB V8 - Exc. Calif, w/ A/C	64-65	PF-1300	4.5L F/I V8	88-89	PF-1000	2.8L F/I V6	87-89	PF-1000
Park Avenue			4.6L F/I V8	93-96	PF-2400	3.1L F/I V6	1992	PF-2400
3.8L F/I V6	91-93	PF-2400	4.9L F/I V8	1993	PF-2400		93-96	PF-2100
	94-05	PF-2100	Escalade			Blazer		
Regal			5.3L F/I V8	01-05	PF-1000	4.2L F/I V6	02-04	PF-2500
2.8L F/I V6	88-89	PF-1000	5.7L F/I V8	99-00	PF-1000	4.3L F/I V6	91-94	PF-2500
3.1L F/I V6	89-91	PF-1000	6.0L F/I V8	02-03	PF-1000		95-96	PF-1000
3.8L F/I V6	84-87	PF-1000	6.0L F/I V8 - Mexico	2002	PF-2100		99-05	PF-2500
	90-91	PF-1000	Escalade ESV			4.3L F/I V6 - Mexico	97-98	PF-2500
	92-04	PF-2100	6.0L F/I V8	2003	PF-1000	4.3L F/I V6 - US	97-98	PF-1000
Riviera			6.0L F/I V8 - Mexico	04-06	PF-2100	5.0L F/I V8	1987	PF-1000
3.8L F/I V6	84-89	PF-1000	Escalade EXT			5.7L F/I V8	87-94	PF-1000
	1993	PF-2400	6.0L F/I V8	2003	PF-1000	Bonneville		
	95-99	PF-2100	6.0L F/I V8 - Mexico	04-06	PF-2100	3.8L F/I V6 - Mexico	92-00	PF-2100
401 CARB V8 - Exc. Calif, w/ A/C	64-65	PF-1300	Fleetwood			C1500		
425 CARB V8 - Exc. Calif, w/ A/C	64-66	PF-1300	4.1L F/I V8	86-87	PF-1000	4.1L F/I V6	95-98	PF-1000
Roadmaster			4.5L F/I V8	88-90	PF-1000	4.3L F/I V6	1988	PF-1000
5.7L F/I V8	92-96	PF-2400	4.9L F/I V8	91-92	PF-2400		90-98	PF-1000
Skylark			Seville				00-01	PF-1000
2.3L F/I L4	88-91	PF-1000	4.1L F/I V8	86-87	PF-1000		2002	PF-2400
	92-95	PF-2100	4.5L F/I V8	88-89	PF-1000	5.0L F/I V8	88-99	PF-1000
2.4L F/I L4	96-98	PF-2100	4.6L F/I V8	93-96	PF-2400	5.7L F/I V8	88-00	PF-1000

PERFORMANCE FUEL FILTERS

CHEVROLET	Year(s)	Part#	CHEVROLET	Year(s)	Part#	CHEVROLET	Year(s)	Part#
C1500			Cavalier			Express 1500		
7.4L F/I V8	90-93	PF-1000	2.4L F/I L4	96-02	PF-2100	4.3L F/I V6 - Threaded One End	2003	PF-2100
C1500 Suburban			2.8L F/I V6	85-94	PF-1000	5.0L F/I V8	96-02	PF-2400
5.7L F/I V8	92-99	PF-1000	3.0L F/I V6	90-94	PF-1000	5.3L F/I V8 - Threaded Both Ends	2003	PF-1000
C2500			3.1L F/I V6	90-91	PF-1000	5.3L F/I V8 - Threaded One End	2003	PF-2100
4.3L F/I V6	1988	PF-1000		92-94	PF-2100	5.7L F/I V8	1999	PF-2400
	90-95	PF-1000	Cavalier Z24				03-04	PF-2400
5.0L F/I V8	88-99	PF-1000	2.8L F/I V6	87-89	PF-1000	5.7L F/I V8 - In-line Filter	96-98	PF-2400
5.7L F/I V8	88-01	PF-1000	3.1L F/I V6	90-91	PF-1000		00-02	PF-2400
7.4L F/I V8	91-00	PF-1000		92-94	PF-2100			
C2500 Suburban			Celebrity			Express 2500		
5.7L F/I V8	92-99	PF-1000	2.5L F/I L4	84-88	PF-1000	4.3L F/I V6	96-02	PF-2400
7.4L F/I V8	92-99	PF-1000	2.8L CARB V6	1986	PF-1300	4.3L F/I V6 - Threaded Both Ends	2003	PF-1000
C3500			2.8L CARB V6 - Mexico	82-85	PF-1300	4.3L F/I V6 - Threaded One End	2003	PF-2100
5.7L F/I V8	88-96	PF-1000	2.8L CARB V6 - US	82-85	PF-2100	4.8L F/I V8 - Threaded Both Ends	2003	PF-1000
	2001	PF-2400	2.8L F/I V6	86-88	PF-1000	4.8L F/I V8 - Threaded One End	2003	PF-2100
5.7L F/I V8 - Mexico	97-00	PF-2400	2.8L F/I V6 - Mexico	1985	PF-1300	5.0L F/I V8	96-02	PF-2400
5.7L F/I V8 - US, Canada	97-00	PF-1000		1989	PF-1000	5.3L F/I V8 - Threaded Both Ends	2003	PF-1000
6.5L DSL V8 - Mexico	97-00	PF-2100	2.8L F/I V6 - US	1985	PF-2100	5.3L F/I V8 - Threaded One End	2003	PF-2100
7.4L F/I V8	88-00	PF-1000	Century			5.7L F/I V8	1996	PF-2400
C3500HD			2.3L F/I V6	90-96	PF-1000		03-04	PF-2400
5.7L F/I V8	91-95	PF-1000	2.8L CARB V6	82-85	PF-1000	5.7L F/I V8 - In-line Filter	97-02	PF-2400
7.4L F/I V8	91-00	PF-1000	2.8L F/I V6	86-89	PF-1000	6.0L F/I V8 - Mexico Both Ends	05-12	PF-2100
8.1L F/I V8	01-02	PF-1000	Chevy			6.0L F/I V8 - Threaded Both Ends	2003	PF-1000
C7500 Kodiak			4.1L F/I L6	95-96	PF-1000	6.0L F/I V8 - Threaded One End	2003	PF-2100
6.0L F/I V8 - Mexico	97-98	PF-1000	Cheyenne			Express 3500		
7.0L F/I V8 - Mexico	97-98	PF-1000	5.3L F/I V8	03-07	PF-1000	5.3L F/I V8 - Threaded Both Ends	2003	PF-1000
Camaro				2010	PF-1000	5.3L F/I V8 - Threaded One End	2003	PF-2100
2.5L F/I L4	84-86	PF-1000	Cheyenne 400 SS			5.7L F/I V8	1998	PF-2400
2.8L F/I V6	85-89	PF-1000	5.7L F/I V8	99-01	PF-1000		03-04	PF-2400
3.1L F/I V6	90-92	PF-1000	Citation			5.7L F/I V8 - In-line Filter	96-97	PF-2400
3.4L F/I V6	93-95	PF-2100	2.8L CARB V6	83-85	PF-1300		99-02	PF-2400
3.8L F/I V6	95-02	PF-2100	Colorado			6.0L F/I V8 - Mexico Both Ends	05-12	PF-2100
5.0L F/I V8	85-87	PF-1000	2.8L F/I L4	04-05	PF-2400	6.0L F/I V8 - Threaded One End	2003	PF-1000
5.0L MFI V8	88-89	PF-1000	3.5L F/I L5	04-05	PF-2400	7.4L F/I V8 - In-line Filter	97-00	PF-2400
5.0L TBI V8	88-92	PF-1000	Corsica			7.4L MFI V8 - In-line Filter	1996	PF-2400
5.0L TPI V8	90-92	PF-1000	2.0L F/I L4	87-89	PF-1000	8.1L F/I V8	2002	PF-2400
5.7L F/I V8	87-90	PF-1000	2.2L F/I L4	1992	PF-2400	8.1L F/I V8 - In-line Filter	2001	PF-2400
	93-02	PF-2100		93-96	PF-2100	G10		
5.7L TPI V8	91-92	PF-1000	2.8L F/I V6	87-89	PF-1000	4.3L F/I V6	87-95	PF-1000
Caprice			3.1L F/I V6	1992	PF-2400	5.0L F/I V8	87-95	PF-1000
4.3L F/I V6	85-89	PF-1000		93-96	PF-2100	5.7L F/I V8	87-93	PF-1000
	92-93	PF-2400	Corvette					
4.3L F/I V8	95-96	PF-2400	4.6L F/I V8	60-61	PF-1300			
4.3L F/I V8 - Existing Bracket May Be Required	1994	PF-2400	5.7L F/I V8	85-96	PF-1000			
5.0L F/I V8	1989	PF-1000	5.7L F/I V8 - Mexico	99-05	PF-2100			
	91-93	PF-2400	Corvette ZR1					
5.7L F/I V8	1989	PF-1000	5.7L F/I V8	90-95	PF-1000			
	92-96	PF-2400	Cutlass					
Cavalier			3.1L F/I V6	88-91	PF-2100			
2.0L F/I L4	83-89	PF-1000	Express 1500					
2.2L F/I L4	90-91	PF-1000	4.3L F/I V6	96-02	PF-2400			
	92-05	PF-2100	4.3L F/I V6 - Mexico	04-10	PF-1000			
2.3L F/I L4	1995	PF-2100	4.3L F/I V6 - Threaded Both Ends	2003	PF-1000			

PERFORMANCE FUEL FILTERS

CHEVROLET	Year(s)	Part#	CHEVROLET	Year(s)	Part#	CHEVROLET	Year(s)	Part#
G20			Lumina			Silverado 1500		
4.3L F/I V6	87-95	PF-1000	3.4L F/I V6	92-93	PF-2100	4.3L F/I V6	2004	PF-1000
5.0L F/I V8	87-95	PF-1000	3.4L F/I V6 - Mexico	94-97	PF-1000	4.3L F/I V6 - Mexico	2003	PF-1000
5.7L F/I V8	87-95	PF-1000	3.4L F/I V6 - US	94-97	PF-2100		05-13	PF-1000
G30			3.8L F/I V6	98-99	PF-2100	4.8L F/I V8	99-02	PF-1000
4.3L F/I V6	87-96	PF-1000	Lumina APV				2004	PF-1000
	00-01	PF-2400	3.1L F/I V6	90-91	PF-1000	5.3L F/I V8	99-01	PF-1000
5.7L F/I V8	87-96	PF-1000		92-95	PF-2100	5.3L F/I V8 - Mexico	2002	PF-2500
	99-00	PF-2400	3.4L F/I V6 - Mexico	1996	PF-1000		2004	PF-2500
7.4L F/I V8	88-91	PF-1000	3.4L F/I V6 - US	1996	PF-2400		2006	PF-1000
	1996	PF-1000	3.8L F/I V6	92-95	PF-2400	5.3L F/I V8 - Mexico, w/4-9/32 Length	2003	PF-1000
7.4L F/I V8 - In-line Filter	92-95	PF-1000	Luv				2005	PF-1000
G3500			1.8L CARB L4	81-82	PF-1300	5.3L F/I V8 - Mexico, w/5-7/16 Length	2003	PF-2500
5.7L F/I V8	2001	PF-2400	111 CARB L4	75-80	PF-1300		2005	PF-2500
Impala			Luv Pickup					
3.4L F/I V6	00-05	PF-2100	111 CARB L4	72-74	PF-1300			
3.5L F/I V6 - Mexico	06-11	PF-2100	Malibu			5.3L F/I V8 - US	2002	PF-1000
3.8L F/I V6	00-05	PF-2100	2.2L F/I L4	04-05	PF-2100		2004	PF-1000
Impala SS			2.4L F/I L4	97-99	PF-2100	Silverado 1500 Classic		
5.7L F/I V8	94-96	PF-2400	3.1L F/I V6	97-03	PF-2100	4.3L F/I V6	2008	PF-1000
Jimmy			Monte Carlo			Silverado 1500 HD		
2.2L F/I L4	94-96	PF-1000	3.1L F/I V6	95-99	PF-2100	6.0L F/I V8	01-02	PF-1000
4.3L F/I V6	93-00	PF-1000	3.4L F/I V6	95-97	PF-2100	Silverado 2500		
K1500				00-05	PF-2100	4.8L F/I V8	03-05	PF-1000
4.3L F/I V6	1988	PF-1000	3.8L F/I V6	98-05	PF-2100	5.3L F/I V8	99-01	PF-1000
	90-98	PF-1000	4.3L F/I V6	85-88	PF-1000		2002	PF-2500
5.0L F/I V8	88-99	PF-1000	Oldsmobile 88th				05-08	PF-1000
5.7L F/I V8	88-99	PF-1000	3.8L F/I V6	92-96	PF-2400	5.3L F/I V8 - w/4-9/32 Length	03-04	PF-1000
K1500 Suburban			Royale			5.3L F/I V8 - w/5-7/16 Length	03-04	PF-2500
5.7L F/I V8	92-99	PF-1000	3.8L F/I V6 - Mexico	94-00	PF-2100	6.0L F/I V8	99-01	PF-1000
K2500			S10 Blazer				2004	PF-1000
4.3L F/I V6	1988	PF-1000	2.5L F/I L4	85-89	PF-1000	6.0L F/I V8 - Exc. CNG	2002	PF-1000
	90-95	PF-1000	2.8L F/I V6 - Mexico	86-93	PF-1000	6.0L F/I V8 - Mexico	02-03	PF-1000
5.0L F/I V8	88-95	PF-1000	4.3L CPI V6	92-94	PF-1000	Silverado 2500 HD		
	97-99	PF-1000	4.3L F/I V6	88-91	PF-1000	6.0L F/I V8	2001	PF-1000
5.7L F/I V8	88-00	PF-1000	4.3L F/I V6 - Mexico	97-98	PF-1000		2004	PF-1000
7.4L F/I V8	91-00	PF-1000	4.3L TBI V6	93-94	PF-1000	6.0L F/I V8 - Exc. CNG	2002	PF-1000
K2500 Suburban			S10 Pickup			6.6L DSL V8	01-15	PF-3000
5.7L F/I V8	92-99	PF-1000	2.2L F/I L4	99-01	PF-2500	8.1L F/I V8	01-04	PF-1000
7.4L F/I V8	92-99	PF-1000	2.2L F/I L4 - Mexico	94-96	PF-2500	8.1L F/I V8 - Mexico	05-06	PF-1000
K3500			2.2L F/I L4 - Mexico, w/4-9/32 Length	97-98	PF-1000	Silverado 2500 HD Classic		
5.7L F/I V8	88-00	PF-1000	2.2L F/I L4 - Mexico, w/5-7/16 Length	97-98	PF-2500	6.6L DSL V8	2007	PF-3000
6.5L DSL V8 - Mexico	97-00	PF-2100	2.2L F/I L4 - US	94-96	PF-1000	Silverado 3500		
7.4L F/I V8	88-00	PF-1000		97-98	PF-2500	5.3L F/I V8 - Mexico	2002	PF-2500
Kodiak			2.5L F/I L4	85-93	PF-1000	5.3L F/I V8 - US	2002	PF-1000
6.0L F/I V8	99-01	PF-1000	2.8L F/I V6	92-93	PF-1000	5.3L F/I V8 - w/4-9/32 Length	03-04	PF-1000
7.0L F/I V8	99-01	PF-1000	4.3L CPI V6	93-95	PF-1000	5.3L F/I V8 - w/5-7/16 Length	03-04	PF-2500
Lumina			4.3L F/I V6	88-91	PF-1000	6.0L F/I V8	01-02	PF-1000
2.2L F/I L4	1993	PF-2100		1996	PF-1000		2004	PF-1000
2.5L F/I L4	1992	PF-2100	4.3L TBI V6	92-95	PF-1000	6.0L F/I V8 - Mexico	2003	PF-1000
2.5L F/I L4 - Mexico	90-91	PF-2100	Silverado			6.6L DSL V8	01-06	PF-3000
2.5L F/I L4 - US, Canada	90-91	PF-1000	5.7L F/I V8	95-00	PF-1000	8.1L F/I V8	01-04	PF-1000
3.1L F/I V6	90-91	PF-1000	Silverado 1500			8.1L F/I V8 - Mexico	05-06	PF-1000
	92-01	PF-2100	4.3L F/I V6	99-02	PF-1000			
3.4L F/I V6	1991	PF-1000						

PERFORMANCE FUEL FILTERS

CHEVROLET	Year(s)	Part#	CHRYSLER	Year(s)	Part#	DODGE	Year(s)	Part#
Silverado 3500 Classic			Newport			B300		
6.6L DSL V8	2007	PF-3000	360 CARB V8 - Exc. Calif	75-78	PF-1300	440 CARB V8 - In-line Filter	76-77	PF-1300
Silverado 3500 HD			400 CARB V8	72-74	PF-1300	Challenger		
5.7L F/I V8	03-05	PF-2400	400 CARB V8 - Exc. Calif	75-76	PF-1300	198 CARB L6	70-71	PF-1300
6.6L DSL V8	07-15	PF-3000	440 CARB V8	72-75	PF-1300	225 CARB L6	70-72	PF-1300
Silverado SS			440 CARB V8 - Exc. Calif	76-78	PF-1300	318 CARB V8	70-74	PF-1300
6.0L F/I V8	2004	PF-1000	CUMMINS	Year(s)	Part#	340 3x2BBL. V8	70-71	PF-1300
Sonora			B4.5			340 4 BBL. V8	70-71	PF-1300
5.3L F/I V8	03-06	PF-1000	DSL - OEM 3991350, Water Separator		FF-8036	360 CARB V8	71-74	PF-1300
5.7L F/I V8	2001	PF-1000	B4.5T			383 CARB V8	70-71	PF-1300
Suburban 1500			DSL - OEM 3991350, Water Separator		FF-8036	400 CARB V8	72-74	PF-1300
5.3L F/I V8	00-01	PF-1000	QSB4.5			426 CARB V8	70-71	PF-1300
5.3L F/I V8 - Mexico	02-03	PF-2500	DSL - OEM 3991350, Water Separator		FF-8036	440 CARB V8	71-72	PF-1300
	05-08	PF-1000	DODGE	Year(s)	Part#	Charger		
5.3L F/I V8 - Mexico, w/4-9/32 Length	2004	PF-1000	B100 Van			225 CARB L6	68-74	PF-1300
5.3L F/I V8 - Mexico, w/5-7/16 Length	2004	PF-2500	225 CARB L6	78-79	PF-1300	273 CARB V8	66-67	PF-1300
5.3L F/I V8 - US	02-03	PF-1000	225 CARB L6 - In-line Filter	74-77	PF-1300	318 CARB V8	66-74	PF-1300
5.7L F/I V8	95-02	PF-1000	318 CARB V8	74-75	PF-1300	318 CARB V8 - Exc. Calif	75-77	PF-1300
Suburban 2500			318 CARB V8 - In-line Filter	76-77	PF-1300	340 CARB V8	70-73	PF-1300
5.3L F/I V8	2000	PF-1000	360 CARB V8 - In-line Filter	76-77	PF-1300	360 CARB V8	71-74	PF-1300
6.0L F/I V8	00-03	PF-1000	B150 Van			360 CARB V8 - Exc. Calif	75-78	PF-1300
8.1L F/I V8	01-03	PF-1000	3.7L CARB L6 - Exc. Calif	1981	PF-1300	383 CARB V8	66-71	PF-1300
Tahoe			5.2L CARB V8 - Exc. Calif	1981	PF-1300	400 CARB V8	72-74	PF-1300
4.8L F/I V8	00-03	PF-1000	B200 Van			400 CARB V8 - Exc. Calif	75-76	PF-1300
5.3L F/I V8	00-01	PF-1000	225 CARB L6	78-79	PF-1300	426 CARB V8	66-71	PF-1300
5.3L F/I V8 - Mexico	02-03	PF-2500	225 CARB L6 - In-line Filter	74-77	PF-1300	440 3x2BBL. V8	70-72	PF-1300
5.3L F/I V8 - US	02-03	PF-1000	318 CARB V8	74-75	PF-1300	440 4 BBL. V8	70-72	PF-1300
5.7L F/I V8	95-00	PF-1000	318 CARB V8 - In-line Filter	76-77	PF-1300	440 CARB V8	66-69	PF-1300
Tracker			360 CARB V8 - In-line Filter	76-77	PF-1300		73-74	PF-1300
2.0L F/I L4	2007	PF-1000	B150 Van			Coronet		
Two-Ten Series			3.7L CARB L6 - Exc. Calif	1981	PF-1300	225 CARB L6	65-74	PF-1300
235 CARB L6	56-57	PF-1300	5.2L CARB V8 - Exc. Calif	1981	PF-1300	225 CARB L6 - Exc. Calif	75-76	PF-1300
265 CARB V8	56-57	PF-1300	B200 Van			230 CARB L6	50-59	PF-1300
CHRYSLER	Year(s)	Part#	225 CARB L6	78-79	PF-1300	239 CARB V8	53-54	PF-1300
Cordoba			225 CARB L6 - In-line Filter	74-77	PF-1300	241 CARB V8	53-54	PF-1300
318 CARB V8 - Exc. Calif	75-77	PF-1300	318 CARB V8	74-75	PF-1300	270 CARB V8	55-56	PF-1300
360 CARB V8 - Exc. Calif	75-77	PF-1300	318 CARB V8 - In-line Filter	76-77	PF-1300	273 CARB V8	65-68	PF-1300
400 CARB V8 - Exc. Calif	75-78	PF-1300	360 CARB V8	74-75	PF-1300	318 CARB V8	65-74	PF-1300
Dart			360 CARB V8 - In-line Filter	76-77	PF-1300	318 CARB V8 - Exc. Calif	75-76	PF-1300
2.8L DSL V6	78-82	PF-1300	400 CARB V8 - In-line Filter	76-77	PF-1300	340 CARB V8	70-73	PF-1300
Imperial			440 CARB V8 - In-line Filter	76-77	PF-1300	360 CARB V8	71-74	PF-1300
413 CARB V8	61-65	PF-1300	440 CARB V8 - In-line Filter	76-77	PF-1300	383 CARB V8	65-71	PF-1300
440 CARB V8	66-74	PF-1300	440 CARB V8 - In-line Filter	76-77	PF-1300	400 CARB V8	72-74	PF-1300
LeBaron			B250 Van			400 CARB V8 - Exc. Calif	75-76	PF-1300
225 2 BBL. L6 - Exc. Calif	78-79	PF-1300	3.7L CARB L6 - Exc. Calif	1981	PF-1300	426 CARB V8	65-71	PF-1300
New Yorker			5.2L CARB V8 - Exc. Calif	1981	PF-1300	440 CARB V8	66-69	PF-1300
360 CARB V8 - Exc. Calif	77-78	PF-1300	5.9L CARB V8 - Exc. Calif	1981	PF-1300		71-74	PF-1300
400 CARB V8	72-74	PF-1300	B300			D100		
400 CARB V8 - Exc. Calif	75-78	PF-1300	225 CARB L6	78-79	PF-1300	225 CARB L6	78-79	PF-1300
440 CARB V8	70-74	PF-1300	225 CARB L6 - In-line Filter	75-77	PF-1300	225 CARB L6 - In-line Filter	75-77	PF-1300
440 CARB V8 - Exc. Calif	75-78	PF-1300	318 CARB V8 - In-line Filter	76-77	PF-1300			
440 CARB V8	70-74	PF-1300	360 CARB V8 - In-line Filter	76-77	PF-1300			
440 CARB V8 - Exc. Calif	75-78	PF-1300	400 CARB V8 - In-line Filter	76-77	PF-1300			

PERFORMANCE FUEL FILTERS

DODGE	Year(s)	Part#	DODGE	Year(s)	Part#	DODGE	Year(s)	Part#
D100			Dart			Ramcharger		
318 CARB V8 - In-line Filter	75-77	PF-1300	170 CARB L6	60-69	PF-1300	440 CARB V8 - In-line Filter	74-77	PF-1300
360 CARB V8	78-79	PF-1300	198 CARB L6	70-74	PF-1300	5.2L CARB V8 - Exc. Calif	1981	PF-1300
360 CARB V8 - In-line Filter	75-77	PF-1300	225 CARB L6	60-74	PF-1300	5.9L CARB V8 - Exc. Calif	1981	PF-1300
440 CARB V8 - In-line Filter	75-77	PF-1300	225 CARB L6 - Exc. Calif	75-76	PF-1300	W100		
5.2L CARB V8	84-87	PF-1300	273 CARB V8	64-69	PF-1300	225 CARB L6 - In-line Filter	75-77	PF-1300
5.2L F/I V8	88-89	PF-1300	318 CARB V8	60-61	PF-1300	318 CARB V8 - In-line Filter	75-77	PF-1300
5.9L CARB V8	84-88	PF-1300	318 CARB V8 - Exc. Calif	75-76	PF-1300	360 CARB V8 - In-line Filter	75-77	PF-1300
D100 Pickup			340 CARB V8	68-73	PF-1300	440 CARB V8 - In-line Filter	75-77	PF-1300
230 CARB L6	58-59	PF-1300	360 CARB V8	72-74	PF-1300	W100 Pickup		
360 CARB V8	71-74	PF-1300	360 CARB V8 - Exc. Calif	75-76	PF-1300	230 CARB L6	58-59	PF-1300
D150			361 CARB V8	60-62	PF-1300	W150		
225 CARB L6	78-79	PF-1300	383 CARB V8	60-62	PF-1300	225 CARB L6	78-79	PF-1300
3.7L CARB L6 - Exc. Calif	1981	PF-1300	Monaco	67-69	PF-1300	3.7L CARB L6 - Exc. Calif	1981	PF-1300
360 2 BBL. V8	79-80	PF-1300	225 1 BBL. L6 - Exc. Calif	77-78	PF-1300	5.2L CARB V8 - Exc. Calif	1981	PF-1300
5.2L CARB V8	82-87	PF-1300	225 2 BBL. L6 - Exc. Calif	77-78	PF-1300	5.9L CARB V8 - Exc. Calif	1981	PF-1300
5.2L CARB V8 - Exc. Calif	1981	PF-1300	318 CARB V8	68-74	PF-1300	5.9L F/I V8	89-91	PF-1300
5.2L F/I V8	88-91	PF-1300	318 CARB V8 - Exc. Calif	75-77	PF-1300	D200		
5.9L CARB V8	82-89	PF-1300	360 CARB V8	71-74	PF-1300	225 CARB L6	78-79	PF-1300
5.9L CARB V8 - Exc. Calif	1981	PF-1300	360 CARB V8 - Exc. Calif	75-78	PF-1300	225 CARB L6 - In-line Filter	75-77	PF-1300
5.9L F/I V8	89-91	PF-1300	383 CARB V8	65-71	PF-1300	318 CARB V8 - In-line Filter	75-77	PF-1300
D200 Pickup			400 CARB V8	72-74	PF-1300	360 CARB V8 - In-line Filter	75-77	PF-1300
230 CARB L6	58-59	PF-1300	400 CARB V8 - Exc. Calif	75-78	PF-1300	440 CARB V8 - In-line Filter	75-77	PF-1300
360 CARB V8	71-74	PF-1300	426 CARB V8	65-66	PF-1300	W200		
D250			440 CARB V8	66-73	PF-1300	225 CARB L6	78-79	PF-1300
3.7L CARB L6 - Exc. Calif	1981	PF-1300	440 CARB V8 - Exc. Calif	75-78	PF-1300	225 CARB L6 - In-line Filter	75-77	PF-1300
5.2L CARB V8	82-87	PF-1300	Polara			318 CARB V8 - In-line Filter	75-77	PF-1300
5.2L CARB V8 - Exc. Calif	1981	PF-1300	225 CARB L6	63-74	PF-1300	360 CARB V8 - In-line Filter	75-77	PF-1300
5.2L F/I V8	88-91	PF-1300	273 CARB V8	65-67	PF-1300	440 CARB V8 - In-line Filter	75-77	PF-1300
5.9L CARB V8	82-88	PF-1300	318 CARB V8	60-73	PF-1300	W200 Pickup		
5.9L CARB V8 - Exc. Calif	1981	PF-1300	340 CARB V8	72-73	PF-1300	230 CARB L6	58-59	PF-1300
5.9L F/I V8	89-91	PF-1300	360 CARB V8	71-74	PF-1300	W250		
D300			361 CARB V8	60-64	PF-1300	5.2L CARB V8 - Exc. Calif	1981	PF-1300
225 CARB L6	78-79	PF-1300	383 CARB V8	60-71	PF-1300	5.9L CARB V8 - Exc. Calif	1981	PF-1300
225 CARB L6 - In-line Filter	75-76	PF-1300	400 CARB V8	72-74	PF-1300	W300		
318 CARB V8	78-79	PF-1300	413 CARB V8	61-65	PF-1300	225 CARB L6 - In-line Filter	75-77	PF-1300
318 CARB V8 - In-line Filter	75-77	PF-1300	426 CARB V8	63-67	PF-1300	318 CARB V8 - In-line Filter	75-77	PF-1300
360 CARB V8 - In-line Filter	75-77	PF-1300	440 CARB V8	66-73	PF-1300	360 CARB V8	78-79	PF-1300
440 CARB V8 - In-line Filter	75-77	PF-1300	Ram 2500 Pickup			360 CARB V8 - In-line Filter	75-77	PF-1300
			5.9L DSL L6	03-09	PF-4200	440 CARB V8 - In-line Filter	75-77	PF-1300
			Ram 3500 Pickup			W300 Pickup		
			5.9L DSL L6	03-09	PF-4200	230 CARB L6	58-59	PF-1300
			Ramcharger			251 CARB L6	58-59	PF-1300
			225 CARB L6	78-79	PF-1300	265 CARB L6	58-59	PF-1300
			225 CARB L6 - In-line Filter	74-77	PF-1300	FORD	Year(s)	Part#
			318 CARB V8 - In-line Filter	74-77	PF-1300	Aerostar		
			360 CARB V8 - In-line Filter	75-77	PF-1300	2.3L F/I L4	86-87	PF-2200
						3.0L F/I V6	86-97	PF-2200
						4.0L F/I V6	93-97	PF-2200
						4.0L F/I V6 - Mexico	90-92	PF-2300
						4.0L F/I V6 - US	90-92	PF-2200

PERFORMANCE FUEL FILTERS

FORD	Year(s)	Part#	FORD	Year(s)	Part#	FORD	Year(s)	Part#
Bronco			E150 Econoline			E250		
4.9L F/I L6	87-89	PF-2200	4.6L F/I V8	97-00	PF-2300	4.6L F/I V8	03-12	PF-2000
	1992	PF-2300	4.6L F/I V8 - w/2 inch OD	01-02	PF-2000	5.4L F/I V8	03-12	PF-2000
4.9L F/I L6 - Mexico	90-91	PF-2300	4.6L F/I V8 - w/3 inch OD	01-02	PF-2300	6.8L F/I V10	04-11	PF-2000
4.9L F/I L6 - US	90-91	PF-2200	4.9L F/I L6	87-91	PF-2200	6.8L F/I V10 - Mexico	1997	PF-2000
4.9L F/I V8	1993	PF-2300					2003	PF-2000
5.0L F/I V8	87-89	PF-2200	5.0L F/I V8	87-91	PF-2200	6.8L F/I V10 - w/2 inch OD	98-02	PF-2000
	92-96	PF-2300				6.8L F/I V10 - w/3 inch OD	98-02	PF-2300
5.0L F/I V8 - In-line Filter	1986	PF-2200	5.0L F/I V8 - In-line Filter	1986	PF-2200	E250 Club Wagon		
5.0L F/I V8 - Mexico	90-91	PF-2300	5.4L F/I V8	2000	PF-2300	5.4L F/I V8	2005	PF-2000
5.0L F/I V8 - US	90-91	PF-2200				E250 Econoline		
5.8L F/I V8	88-89	PF-2200	5.4L F/I V8 - Mexico	97-99	PF-2000	4.2L F/I V6	97-00	PF-2300
	92-96	PF-2300				4.2L F/I V6 - w/2 inch OD	01-02	PF-2000
5.8L F/I V8 - Mexico	90-91	PF-2300	5.4L F/I V8 - US	97-99	PF-2300	4.2L F/I V6 - w/3 inch OD	01-02	PF-2300
5.8L F/I V8 - US	90-91	PF-2200				4.6L F/I V8	97-02	PF-2300
Bronco II			5.4L F/I V8 - w/2 inch OD	2001	PF-2000	4.9L F/I L6	87-91	PF-2200
2.9L F/I V6	88-90	PF-2200	5.4L F/I V8 - w/3 inch OD	2001	PF-2300		92-96	PF-2300
2.9L F/I V6 - In-line Filter	86-87	PF-2200	5.8L F/I V8	88-91	PF-2200	5.0L F/I V8	87-91	PF-2200
4.0L F/I V6	1990	PF-2200					92-96	PF-2300
Club			6.8L F/I V10 - Mexico	1997	PF-2000	5.0L F/I V8 - In-line Filter	1986	PF-2200
223 CARB L6	54-56	PF-1300	6.8L F/I V10 - w/2 inch OD	98-02	PF-2000	5.4L F/I V8	2000	PF-2300
272 CARB V8	55-56	PF-1300	6.8L F/I V10 - w/3 inch OD	98-02	PF-2300	5.4L F/I V8 - Mexico	97-99	PF-2000
292 CARB V8	55-56	PF-1300	7.5L F/I V8	88-91	PF-2200		2002	PF-2000
Contour						5.4L F/I V8 - US	97-99	PF-2300
2.0L F/I L4	95-00	PF-2200	E150 Econoline Club Wagon				2002	PF-2300
2.5L F/I V6	95-00	PF-2200	4.2L F/I V6	97-00	PF-2300	5.4L F/I V8 - w/2 inch OD	2001	PF-2000
Contour SVT			4.2L F/I V6 - w/2 inch OD	01-02	PF-2000	5.4L F/I V8 - w/3 inch OD	2001	PF-2300
2.5L F/I V6	98-00	PF-2200	4.2L F/I V6 - w/3 inch OD	01-02	PF-2300	5.8L F/I V8	88-91	PF-2200
Courier			4.6L F/I V8	97-00	PF-2300		92-96	PF-2300
1.6L F/I L4	01-07	PF-2300	4.6L F/I V8 - w/2 inch OD	01-02	PF-2000	7.5L F/I V8	92-97	PF-2300
110 CARB L4	72-79	PF-1300	4.6L F/I V8 - w/3 inch OD	01-02	PF-2300	E250 Econoline Club Wagon		
140 CARB L4	77-80	PF-1300	4.9L F/I L6	87-91	PF-2200	4.9L F/I L6	87-91	PF-2200
2.0L CARB L4	1981	PF-1300				5.8L F/I V8	88-91	PF-2200
2.3L CARB L4	1981	PF-1300	5.0L F/I V8	87-91	PF-2200	7.5L F/I V8	88-91	PF-2200
Crown Victoria						E250 Super Duty		
4.6L F/I V8	92-96	PF-2200	5.0L F/I V8 - In-line Filter	1986	PF-2200	5.4L F/I V8	04-05	PF-2000
	98-11	PF-2000	5.4L F/I V8	2000	PF-2300	6.8L F/I V10	2012	PF-2000
4.6L F/I V8 - Mexico	1997	PF-2000	5.4L F/I V8 - Mexico	97-99	PF-2000	E350		
4.6L F/I V8 - US	1997	PF-2200				4.2L F/I V6	03-05	PF-2000
Crown Victoria Police Interceptor			5.4L F/I V8 - US	97-99	PF-2300	4.6L F/I V8	03-12	PF-2000
4.6L F/I V8	04-08	PF-2000				5.0L F/I V8	92-96	PF-2300
E150			5.4L F/I V8 - w/2 inch OD	2001	PF-2000	6.8L F/I V10	2003	PF-2000
4.2L F/I V6	03-05	PF-2000	5.4L F/I V8 - w/3 inch OD	2001	PF-2300		2005	PF-2000
4.6L F/I V8	03-12	PF-2000	5.8L F/I V8	88-91	PF-2200	7.3L DSL V8 - w/Attached Cap	2003	PF-4000
5.4L F/I V8	03-12	PF-2000				E350 Econoline		
6.8L F/I V10	03-12	PF-2000	E250			4.2L F/I V6	97-02	PF-2300
E150 Club Wagon			4.2L F/I V6	03-05	PF-2000	4.6L F/I V8	97-02	PF-2300
4.2L F/I V6	2003	PF-2000				4.9L F/I L6	87-91	PF-2200
4.6L F/I V8	03-05	PF-2000					92-96	PF-2300
5.4L F/I V8	03-05	PF-2000						

PERFORMANCE FUEL FILTERS

FORD	Year(s)	Part#	FORD	Year(s)	Part#	FORD	Year(s)	Part#
E350 Econoline			E450 Econoline Super Duty			Escape		
5.0L F/I V8	87-91	PF-2200	5.4L F/I V8 - w/2 inch OD	01-02	PF-2000	2.0L F/I L4	01-05	PF-2200
5.4L F/I V8	1997	PF-2300	5.4L F/I V8 - w/3 inch OD	01-02	PF-2300	2.3L F/I L4	05-07	PF-2200
	2000	PF-2300	6.8L F/I V10	97-00	PF-2300		2008	PF-2300
	07-08	PF-2000	6.8L F/I V10 - w/2 inch OD	01-02	PF-2000	2.5L F/I L4	09-13	PF-2300
5.4L F/I V8 - Mexico	1998	PF-2000	6.8L F/I V10 - w/3 inch OD	01-02	PF-2300	3.0L F/I V6	01-07	PF-2200
5.4L F/I V8 - US	98-99	PF-2300	7.3L DSL V8 - w/Attached Cap	00-02	PF-4000		08-12	PF-2300
5.8L F/I V8	88-91	PF-2200	E450 Econoline Super Duty Stripped			Escape Hybrid		
	92-96	PF-2300	5.4L F/I V8	2000	PF-2300	2.3L F/I L4	05-07	PF-2200
6.8L F/I V10 - Mexico	97-98	PF-2000	5.4L F/I V8 - w/2 inch OD	01-02	PF-2000		2008	PF-2300
6.8L F/I V10 - US	97-98	PF-2300	5.4L F/I V8 - w/3 inch OD	01-02	PF-2300	2.5L F/I L4	09-12	PF-2300
7.5L F/I V8	87-91	PF-2200	6.8L F/I V10	2000	PF-2300	Escort		
	92-97	PF-2300	6.8L F/I V10 - w/2 inch OD	01-02	PF-2000	1.6L F/I L4	83-85	PF-2200
E350 Econoline Club Wagon			6.8L F/I V10 - w/3 inch OD	01-02	PF-2300	1.8L F/I L4	92-93	PF-2200
4.9L F/I L6	87-91	PF-2200	6.8L F/I V10	2000	PF-2300		1996	PF-2200
	92-96	PF-2300	6.8L F/I V10 - w/2 inch OD	01-02	PF-2000	1.9L F/I L4	86-96	PF-2200
5.4L F/I V8	1997	PF-2300	6.8L F/I V10 - w/3 inch OD	01-02	PF-2300	Escort GT		
	2000	PF-2300	7.3L DSL V8 - w/Attached Cap	00-02	PF-4000	1.8L F/I L4	91-95	PF-2200
5.4L F/I V8 - Mexico	98-99	PF-2000	E450 Super Duty			1.9L F/I L4	1989	PF-2200
	2002	PF-2000	5.4L F/I V8	03-04	PF-2000	Excursion		
5.4L F/I V8 - US	98-99	PF-2300		06-09	PF-2000	5.4L F/I V8	1999	PF-2000
	2002	PF-2300		2011	PF-2000	5.4L F/I V8 - Mexico	2000	PF-2000
5.4L F/I V8 - w/2 inch OD	2001	PF-2000	6.8L F/I V10	03-12	PF-2000	5.4L F/I V8 - US	2000	PF-2300
5.4L F/I V8 - w/3 inch OD	2001	PF-2300	7.3L DSL V8 - w/Attached Cap	2003	PF-4000	6.0L DSL V8	03-05	PF-4100
5.8L F/I V8	88-91	PF-2200	E450 Super Duty Stripped Chassis			6.8L F/I V10	00-05	PF-2300
	92-96	PF-2300	7.3L DSL V8 - w/Attached Cap	2003	PF-4000	7.3L DSL V8 - w/Attached Cap	00-03	PF-4000
6.8L F/I V10 - Mexico	97-01	PF-2000	E550 Econoline Super Duty			Expedition		
6.8L F/I V10 - US	97-01	PF-2300	6.8L F/I V10	97-99	PF-2300	4.6L F/I V8	97-98	PF-2300
6.8L F/I V10 - w/2 inch OD	2002	PF-2000	6.8L F/I V10 - w/2 inch OD	2002	PF-2000		99-07	PF-2000
6.8L F/I V10 - w/3 inch OD	2002	PF-2300	6.8L F/I V10 - w/3 inch OD	2002	PF-2300	5.4L F/I V8	97-98	PF-2300
7.3L DSL V8 - w/Attached Cap	99-02	PF-4000	7.3L DSL V8 - w/Attached Cap	2002	PF-4000		99-03	PF-2000
7.5L F/I V8	88-91	PF-2200	E550 Super Duty				05-06	PF-2000
	92-96	PF-2300	6.8L F/I V10	2003	PF-2000	Explorer		
E350 Super Duty			7.3L DSL V8 - w/Attached Cap	2003	PF-4000	4.0L F/I V6	91-98	PF-2300
5.4L F/I V8	2000	PF-2300	Econoline			4.0L F/I V6 - Exc. Postal	2001	PF-2000
	03-12	PF-2000	4.2L F/I V6	2003	PF-2000	4.0L F/I V6 - Mexico	99-00	PF-2300
5.4L F/I V8 - Mexico	1999	PF-2000	4.6L F/I V8	04-06	PF-2000	4.0L F/I V6 - US	1999	PF-2000
	2002	PF-2000		10-12	PF-2000	4.0L F/I V6 - US, Exc. Postal	2000	PF-2000
5.4L F/I V8 - US	1999	PF-2300	5.4L F/I V8	03-06	PF-2000	4.6L F/I V8	2001	PF-2000
	2002	PF-2300	Econoline Super Duty			5.0L F/I V8	96-98	PF-2300
5.4L F/I V8 - w/2 inch OD	2001	PF-2000	5.4L F/I V8	97-99	PF-2300		99-01	PF-2000
5.4L F/I V8 - w/3 inch OD	2001	PF-2300	5.8L F/I V8	1996	PF-2300	Explorer Sport		
6.8L F/I V10	03-12	PF-2000	6.8L F/I V10	1998	PF-2300	4.0L F/I V6	02-04	PF-2000
6.8L F/I V10 - Mexico	99-01	PF-2000	7.3L DSL V8	1998	PF-4000	4.0L F/I V6 - Exc. Flex Fuel	2001	PF-2000
6.8L F/I V10 - US	99-01	PF-2300	7.3L DSL V8 - w/Attached Cap	1999	PF-4000	4.0L F/I V6 - Mexico	2000	PF-2300
6.8L F/I V10 - w/2 inch OD	2002	PF-2000	7.5L F/I V8	1996	PF-2300	4.0L F/I V6 - US, Exc. Postal	2000	PF-2000
6.8L F/I V10 - w/3 inch OD	2002	PF-2300	EcoSport			F100 Pickup		
7.3L DSL V8 - w/Attached Cap	99-03	PF-4000	2.0L F/I L4	03-11	PF-2000	223 CARB L6	54-56	PF-1300
E450 Econoline Super Duty						239 CARB V8	54-55	PF-1300
5.4L F/I V8	2000	PF-2300				272 CARB V8	55-56	PF-1300

PERFORMANCE FUEL FILTERS

FORD	Year(s)	Part#	FORD	Year(s)	Part#	FORD	Year(s)	Part#
F150			F250 Harley Davidson Super Duty			F350		
4.2L F/I V6	97-98	PF-2300	6.0L DSL V8	04-07	PF-4100	6.8L F/I V10	1998	PF-2300
	99-05	PF-2000	6.8L F/I V10	2005	PF-2000	7.5L F/I V8	88-91	PF-2200
4.2L F/I V6 - Before 12/5/05	2006	PF-2000	6.8L F/I V10 - Mexico	2004	PF-2000		92-97	PF-2300
4.6L F/I V8	97-98	PF-2300	6.8L F/I V10 - US	2004	PF-2300	F350 Harley Davidson Super Duty		
	99-05	PF-2000	F250 Pickup			6.0L DSL V8	04-07	PF-4100
4.6L F/I V8 - Before 12/5/05	2006	PF-2000	223 CARB L6	54-56	PF-1300	6.8L F/I V10	2005	PF-2000
4.9L F/I L6	87-91	PF-2200	239 CARB V8	54-55	PF-1300	6.8L F/I V10 - Mexico	2004	PF-2000
	92-96	PF-2300	256 CARB V8	54-55	PF-1300	6.8L F/I V10 - US	2004	PF-2300
5.0L CARB V8	87-90	PF-2200	272 CARB V8	55-56	PF-1300	F350 Pickup		
5.0L F/I V8	87-91	PF-2200	F250 Super Duty			223 CARB L6	54-56	PF-1300
	92-96	PF-2300	5.4L F/I V8	00-01	PF-2300	239 CARB V8	54-55	PF-1300
5.0L F/I V8 - In-line Filter	1986	PF-2200		2005	PF-2000	256 CARB V8	54-55	PF-1300
5.4L F/I V8	99-05	PF-2000		07-08	PF-2000	272 CARB V8	55-56	PF-1300
	07-08	PF-2000	5.4L F/I V8 - Before 12/5/05	2006	PF-2000	F350 Super Duty		
5.4L F/I V8 - Before 12/5/05	2006	PF-2000	5.4L F/I V8 - Mexico	1999	PF-2000	5.4L F/I V8	00-01	PF-2300
5.4L F/I V8 - Mexico	97-98	PF-2000		2002	PF-2000		2005	PF-2000
5.4L F/I V8 - US	97-98	PF-2300	5.4L F/I V8 - US	1999	PF-2300		07-08	PF-2000
5.8L F/I V8	88-91	PF-2200		2002	PF-2000	5.4L F/I V8 - Before 12/5/05	2006	PF-2000
	92-97	PF-2300		2004	PF-2300	5.4L F/I V8 - Mexico	1999	PF-2000
6.8L F/I V10	98-01	PF-2300	5.4L F/I V8 - w/2 inch OD	2003	PF-2000	5.4L F/I V8 - US	1999	PF-2300
	05-07	PF-2000	5.4L F/I V8 - w/3 inch OD	2003	PF-2300		03-04	PF-2000
6.8L F/I V10 - w/2 inch OD	02-04	PF-2000	6.0L DSL V8	03-07	PF-4100	5.4L F/I V8 - w/2 inch OD	2002	PF-2000
6.8L F/I V10 - w/3 inch OD	02-04	PF-2300	6.8L F/I V10	99-01	PF-2300	5.4L F/I V8 - w/3 inch OD	2002	PF-2300
7.5L F/I V8	88-91	PF-2200		05-08	PF-2000	6.0L DSL V8	03-07	PF-4100
	92-97	PF-2300	6.8L F/I V10 - Mexico	02-04	PF-2000	6.8L F/I V10	99-01	PF-2300
F150 Harley Davidson			6.8L F/I V10 - US	02-04	PF-2300		05-07	PF-2000
5.4L F/I V8	00-03	PF-2000	7.3L DSL V8 - w/Attached Cap	99-03	PF-4000	6.8L F/I V10 - Mexico	03-04	PF-2000
F150 Heritage			F350			6.8L F/I V10 - US	03-04	PF-2300
4.6L F/I V8	2004	PF-2000	4.2L F/I V6	97-98	PF-2300	6.8L F/I V10 - w/2 inch OD	2002	PF-2000
5.4L F/I V8	2004	PF-2000	4.2L F/I V8	99-06	PF-2000	6.8L F/I V10 - w/3 inch OD	2002	PF-2300
F150 Lightning			4.6L F/I V8	97-98	PF-2300	7.3L DSL V8 - w/Attached Cap	99-03	PF-4000
5.4L F/I V8	99-04	PF-2000		99-06	PF-2000	F450		
5.8L F/I V8	93-95	PF-2300	4.9L F/I L6	87-91	PF-2200	5.4L F/I V8	2001	PF-2000
F250				92-96	PF-2300		2003	PF-2000
4.2L F/I V6	97-98	PF-2300	5.0L CARB V8	87-90	PF-2200	5.4L F/I V8 - w/2 inch OD	2002	PF-2000
4.2L F/I V8	99-06	PF-2000	5.0L F/I V8	1991	PF-2200	5.4L F/I V8 - w/3 inch OD	2002	PF-2300
4.6L F/I V8	97-98	PF-2300		1992	PF-2300	6.8L F/I V10	1998	PF-2300
	99-06	PF-2000	5.4L F/I V8	1996	PF-2300		01-04	PF-2300
4.9L F/I L6	87-91	PF-2200		1997	PF-2000	6.8L F/I V10 - Mexico	1999	PF-2000
	92-96	PF-2300		1998	PF-2300	7.3L DSL V8 - OEM FD4595	94-97	FF-4595
4.9L F/I V8	1995	PF-2300		2001	PF-2000	7.5L F/I V8	90-91	PF-2200
5.0L F/I V8	87-91	PF-2200	5.4L F/I V8 - Before 12/5/05	2006	PF-2000		92-97	PF-2300
	92-96	PF-2300	5.4L F/I V8 - Mexico	03-04	PF-2000	F450 Super Duty		
5.0L F/I V8 - In-line Filter	1986	PF-2200	5.4L F/I V8 - w/2 inch OD	2002	PF-2000	6.0L DSL V8	03-07	PF-4100
5.4L F/I V8 - Mexico	97-99	PF-2000	5.4L F/I V8 - w/3 inch OD	2002	PF-2300	6.8L F/I V10	00-04	PF-2300
5.4L F/I V8 - US	97-99	PF-2300	5.8L CARB V8	88-90	PF-2200	6.8L F/I V10 - Mexico	1999	PF-2000
5.8L F/I V8	88-91	PF-2200	5.8L F/I V8	88-91	PF-2200	6.8L F/I V10 - US	1999	PF-2300
	92-97	PF-2300		92-97	PF-2300	7.3L DSL V8 - w/Attached Cap	99-03	PF-4000
6.8L F/I V10	1998	PF-2300						
7.5L F/I V8	88-91	PF-2200						
	92-97	PF-2300						

PERFORMANCE FUEL FILTERS

FORD	Year(s)	Part#	FORD	Year(s)	Part#	FORD	Year(s)	Part#
F450 Super Duty			Ka			Ranger		
7.5L F/I V8	88-89	PF-2200	1.6L F/I L4	01-07	PF-2000	2.9L F/I V6	91-92	PF-2300
F53			Lobo			2.9L F/I V6 - In-line Filter	86-87	PF-2200
7.5L F/I V8	88-91	PF-2200	4.6L F/I V8	97-98	PF-2300	2.9L F/I V6 - Mexico	88-90	PF-2300
	92-97	PF-2300		99-07	PF-2000	2.9L F/I V6 - US	1988	PF-2200
F550			5.4L F/I V8	00-04	PF-2000		1990	PF-2200
5.4L F/I V8	2001	PF-2000	Lobo XLT			2.9L F/I V6 - US, In-line Filter	1989	PF-2200
	2003	PF-2000	4.6L F/I V8	97-98	PF-2000		91-94	PF-2200
5.4L F/I V8 - w/2 inch OD	2002	PF-2000	LTD			3.0L F/I V6	95-97	PF-2300
5.4L F/I V8 - w/3 inch OD	2002	PF-2300	3.8L F/I V6	84-86	PF-2200	3.0L F/I V6 - Mexico	98-99	PF-2300
F550 Super Duty			5.0L CARB V8	1985	PF-2200	3.0L F/I V6 - US	98-99	PF-2000
6.0L DSL V8	03-07	PF-4100	5.0L F/I V8	83-86	PF-2200	4.0L F/I V6	1990	PF-2200
6.8L F/I V10	00-04	PF-2300	LTD Crown Victoria				91-92	PF-2300
6.8L F/I V10 - Mexico	1999	PF-2000	5.0L F/I V8	87-91	PF-2200		93-94	PF-2200
6.8L F/I V10 - US	1999	PF-2300	Mountaineer				95-97	PF-2300
7.3L DSL V8 - w/Attached Cap	99-03	PF-4000	4.0L F/I V6	98-01	PF-2000	4.0L F/I V6 - Mexico	98-99	PF-2300
F650			5.0L F/I V8	97-01	PF-2000	4.0L F/I V6 - US	98-99	PF-2000
6.0L DSL V8 - OEM FD4596	04-05	FF-4596	Mustang			Sable		
F800			2.3L F/I L4	83-93	PF-2200	3.0L F/I V6	90-00	PF-2200
5.9L DSL L6 - OEM 3942470	1999	FF-1261	3.8L F/I V6	84-86	PF-2200	3.5L F/I V6	08-09	PF-2000
Fairlane				94-97	PF-2200	3.8L F/I V6	90-95	PF-2200
223 CARB L6	55-56	PF-1300	3.9L F/I V6	2004	PF-2000	Skyliner		
272 CARB V8	55-56	PF-1300	4.6L F/I V8	96-97	PF-2200	223 CARB L6	54-56	PF-1300
292 CARB V8	55-56	PF-1300		98-03	PF-2000	272 CARB V8	55-56	PF-1300
Fiesta			5.0L F/I V8	84-95	PF-2200	292 CARB V8	55-56	PF-1300
1.6L F/I L4	04-07	PF-2000	Mustang GT			Sunliner		
1.6L F/I L4 - Sedan	2008	PF-2000	4.6L F/I V8	96-97	PF-2200	223 CARB L6	54-56	PF-1300
1.6L F/I L4 - w/Hatchback	2003	PF-2000		98-04	PF-2000	272 CARB V8	55-56	PF-1300
Five Hundred			Mustang GT Bullitt			292 CARB V8	55-56	PF-1300
2.0L F/I L4	2007	PF-2000	4.6L F/I V8	2001	PF-2000	Taurus		
3.0L F/I V6	05-07	PF-2000	Mustang Mach 1			2.5L F/I L4	86-91	PF-2200
3.5L F/I V6	2008	PF-2000	4.6L F/I V8	03-04	PF-2000	3.0L F/I V6	86-00	PF-2200
Focus			Mustang SVT Cobra			3.4L F/I V8	96-99	PF-2200
2.0L F/I L4	00-08	PF-2000	4.6L F/I V8	96-97	PF-2200	3.8L F/I V6	88-95	PF-2200
2.3L F/I L4	03-07	PF-2000		98-01	PF-2000	Taurus LX		
Focus II			5.0L F/I V8	03-04	PF-2000	3.0L F/I V6	96-97	PF-2200
2.5L F/I L5	2008	PF-2000	Mustang SVT Cobra R			Taurus SHO		
Focus SVT			5.4L F/I V8	2000	PF-2000	3.0L F/I V6	89-95	PF-2200
2.0L F/I L4	03-04	PF-2000	Mystique			3.2L F/I V6	93-95	PF-2200
Freestar			2.0L F/I L4	95-00	PF-2200	Tempo		
3.8L F/I V6	2007	PF-2000	2.5L F/I V6	95-00	PF-2200	2.3L F/I L4	85-94	PF-2200
3.9L F/I V6	04-05	PF-2000	Ranch Wagon			3.0L F/I V6	92-94	PF-2200
4.2L F/I V6	04-05	PF-2000	223 CARB L6	54-56	PF-1300	Thunderbird		
Freestyle			272 CARB V8	55-56	PF-1300	2.3L F/I L4	83-88	PF-2200
3.0L F/I V6	05-07	PF-2000	292 CARB V8	55-56	PF-1300	292 CARB V8	55-56	PF-1300
Ghia			Ranger			3.8L F/I V6	84-88	PF-2200
2.3L F/I L4	90-92	PF-2200	2.3L F/I L4	1987	PF-2200	3.9L F/I V8	2002	PF-2000
3.0L F/I V6	93-94	PF-2200		90-94	PF-2200	5.0L F/I V8	83-88	PF-2200
Grand Marquis			2.3L F/I L4 - In-line Filter	95-98	PF-2300	Topaz		
4.6L F/I V8	92-98	PF-2200		85-86	PF-2200	2.3L F/I L4	90-94	PF-2200
	04-09	PF-2000	2.5L F/I L4 - Mexico	88-89	PF-2200	Windstar		
			2.5L F/I L4 - US	98-99	PF-2300	3.0L F/I V6	95-98	PF-2300
				98-99	PF-2000		99-03	PF-2000
							95-98	PF-2300
							99-03	PF-2000

PERFORMANCE FUEL FILTERS

GMC	Year(s)	Part#	GMC	Year(s)	Part#	GMC	Year(s)	Part#
C1500			K1500			Savana 1500		
4.3L F/I V6	89-98	PF-1000	4.3L F/I V6	89-98	PF-1000	5.3L F/I V8 - Threaded One End	2003	PF-2100
5.0L F/I V8	88-99	PF-1000	5.0L F/I V8	88-99	PF-1000	5.7L F/I V8 - In-line Filter	1996	PF-2400
5.7L F/I V8	88-99	PF-1000	5.7L F/I V8	88-99	PF-1000			
C1500 Suburban			K1500 Suburban			Savana 2500		
5.7L F/I V8	92-99	PF-1000	5.7L F/I V8	92-99	PF-1000	4.3L F/I V6	96-02	PF-2400
C2500			K2500			4.3L F/I V6 - Threaded Both Ends	03-04	PF-1000
4.3L F/I V6	89-95	PF-1000	4.3L F/I V6	89-95	PF-1000	4.3L F/I V6 - Threaded One End	03-04	PF-2100
5.0L F/I V8	88-99	PF-1000	5.0L F/I V8	88-99	PF-1000	4.8L F/I V8 - Threaded Both Ends	2003	PF-1000
5.7L F/I V8	88-96	PF-1000	5.7L F/I V8	88-00	PF-1000	4.8L F/I V8 - Threaded One End	2003	PF-2100
	98-00	PF-1000	7.4L F/I V8	91-93	PF-1000	5.0L F/I V8	96-02	PF-2400
7.4L F/I V8	91-93	PF-1000		95-00	PF-1000	5.3L F/I V8 - Threaded Both Ends	2003	PF-1000
	95-00	PF-1000	K2500 Suburban			5.3L F/I V8 - Threaded One End	2003	PF-2100
C2500 Suburban			5.7L F/I V8	92-99	PF-1000	5.7L F/I V8 - In-line Filter	1996	PF-2400
5.7L F/I V8	92-96	PF-1000	7.4L F/I V8	92-93	PF-1000	6.0L F/I V8 - Threaded Both Ends	2003	PF-1000
	98-99	PF-1000		95-99	PF-1000	6.0L F/I V8 - Threaded One End	2003	PF-2100
7.4L F/I V8	92-93	PF-1000	K3500			Savana 3500		
	95-99	PF-1000	5.7L F/I V8	88-00	PF-1000	4.8L F/I V8 - Threaded Both Ends	2003	PF-1000
C3500			7.4L F/I V8	88-93	PF-1000	4.8L F/I V8 - Threaded One End	2003	PF-2100
5.7L F/I V8	88-00	PF-1000		95-00	PF-1000	5.7L F/I V8 - In-line Filter	1996	PF-2400
7.4L F/I V8	88-93	PF-1000	P2500			6.0L F/I V8 - Threaded Both Ends	2003	PF-1000
	95-00	PF-1000	5.7L F/I V8	88-89	PF-1000	6.0L F/I V8 - Threaded One End	2003	PF-2100
C3500HD			P3500			Savana 3500		
8.1L F/I V8	01-02	PF-1000	4.3L F/I V6	90-99	PF-1000	4.8L F/I V8 - Threaded Both Ends	2003	PF-1000
Caballero			5.7L F/I V8	87-95	PF-1000	4.8L F/I V8 - Threaded One End	2003	PF-2100
4.3L F/I V6	85-87	PF-1000		97-99	PF-1000	5.7L F/I V8 - In-line Filter	1996	PF-2400
Canyon			5.7L F/I V8 - VIN K	1996	PF-1000	6.0L F/I V8 - Threaded Both Ends	2003	PF-1000
2.8L F/I L4	04-05	PF-2400	5.7L F/I V8 - VIN R	1996	PF-2400	6.0L F/I V8 - Threaded One End	2003	PF-2100
3.5L F/I L5	04-05	PF-2400	7.4L F/I V8	90-95	PF-1000	7.4L F/I V8 - In-line Filter, VIN J	1996	PF-2400
3.5L F/I L5 - Mexico	2006	PF-2400		97-99	PF-1000	7.4L F/I V8 - In-line Filter, VIN N	1996	PF-1000
Colorado			7.4L F/I V8 - In-line Filter, VIN J	1996	PF-2400	Sierra 1500		
3.5L F/I L5	04-05	PF-2400	7.4L F/I V8 - In-line Filter, VIN N	1996	PF-1000	4.3L F/I V6	99-04	PF-1000
G1500			S15 Jimmy			4.8L F/I V8	99-03	PF-1000
4.3L F/I V6	87-95	PF-1000	2.5L F/I L4	85-88	PF-1000	5.3L F/I V8	99-03	PF-1000
5.0L F/I V8	87-95	PF-1000	4.3L F/I V6	1988	PF-1000	Sierra 1500 HD		
5.7L F/I V8	87-93	PF-1000		1991	PF-1000	6.0L F/I V8	01-03	PF-1000
G2500			4.3L TBI V6	89-90	PF-1000	Sierra 2500		
4.3L F/I V6	87-95	PF-1000	S15 Pickup			5.3L F/I V8	99-00	PF-1000
5.0L F/I V8	87-95	PF-1000	2.5L F/I L4	85-90	PF-1000	6.0L F/I V8	99-01	PF-1000
5.7L F/I V8	87-89	PF-1000	4.3L F/I V6	1988	PF-1000		2003	PF-1000
	91-95	PF-1000	4.3L TBI V6	89-90	PF-1000	6.0L F/I V8 - Exc. CNG	2002	PF-1000
G3500			Safari			Sierra 2500 HD		
4.3L F/I V6	87-95	PF-1000	2.5L F/I L4	85-89	PF-1000	6.0L F/I V8	2001	PF-1000
5.7L F/I V8	87-96	PF-1000	4.3L CPI V6	92-94	PF-1000		2003	PF-1000
7.4L F/I V8	88-91	PF-1000	4.3L F/I V6	86-91	PF-1000	6.0L F/I V8 - Exc. CNG	2002	PF-1000
7.4L F/I V8 - In-line Filter	92-96	PF-1000		95-00	PF-1000	6.6L DSL V8	01-15	PF-3000
Jimmy			4.3L TBI V6	92-94	PF-1000	8.1L F/I V8	01-03	PF-1000
4.3L CPI V6	92-94	PF-1000	Savana 1500			Sierra 2500 HD Classic		
4.3L F/I V6	95-96	PF-1000	4.3L F/I V6	96-02	PF-2400	6.6L DSL V8	2007	PF-3000
	97-05	PF-2500	4.3L F/I V6 - Threaded Both Ends	03-04	PF-1000	Sierra 3500		
4.3L TBI V6	1992	PF-1000	4.3L F/I V6 - Threaded One End	03-04	PF-2100	6.0L F/I V8	01-03	PF-1000
	1994	PF-1000	5.0L F/I V8	96-02	PF-2400	6.6L DSL V8	01-06	PF-3000
5.0L F/I V8	1987	PF-1000	5.3L F/I V8 - Threaded Both Ends	2003	PF-1000	8.1L F/I V8	01-03	PF-1000
5.7L F/I V8	87-91	PF-1000						

PERFORMANCE FUEL FILTERS

GMC	Year(s)	Part#	HONDA	Year(s)	Part#	JAGUAR	Year(s)	Part#
Sierra 3500 Classic			Civic DX Hatchback			XFR		
6.6L DSL V8	2007	PF-3000	1.5L F/I L4	1995	PF-1200	5.0L F/I V8	2010	PF-2000
Sierra 3500 HD			Civic EX			XJ12		
6.6L DSL V8	07-15	PF-3000	1.6L F/I L4	95-00	PF-1200	6.0L F/I V12	94-96	PF-1000
Sonoma			Civic HX			XJ6		
2.2L F/I L4	94-96	PF-1000	1.6L F/I L4	96-00	PF-1200	4.0L F/I L6	91-97	PF-1000
	97-00	PF-2500	Civic LX			XJ8		
2.5L F/I L4	91-93	PF-1000	1.5L F/I L4	1995	PF-1200	4.0L F/I V8	98-03	PF-1000
2.8L F/I V6	92-93	PF-1000	1.6L F/I L4	96-00	PF-1200	4.2L F/I V8	04-09	PF-1000
4.3L CPI V6	92-95	PF-1000	Civic Si			XJR		
4.3L F/I V6	1991	PF-1000	1.6L F/I L4	95-97	PF-1200	4.0L F/I L6	95-97	PF-1000
	1996	PF-1000		99-00	PF-1200	4.0L F/I V8	98-03	PF-1000
	97-04	PF-2500	Civic VX			4.2L F/I V8	04-09	PF-1000
4.3L TBI V6	92-95	PF-1000	1.5L F/I L4	1995	PF-1200	XJS		
Syclone			CR-V			4.0L F/I L6	93-96	PF-1000
4.3L F/I V6	1991	PF-1000	2.0L F/I L4	97-01	PF-1200	6.0L F/I V12	94-95	PF-1000
Typhoon			Odyssey			XK8		
4.3L F/I V6	92-93	PF-1000	2.2L F/I L4	95-97	PF-1200	4.0L F/I V8	97-02	PF-1000
Yukon			2.3L F/I L4	1998	PF-1200	4.2L F/I V8	03-04	PF-1000
4.8L F/I V8	00-03	PF-1000	Prelude				2006	PF-1000
5.3L F/I V8	00-03	PF-1000	2.2L F/I L4	98-01	PF-1200	XKR		
5.7L F/I V8	92-99	PF-1000				4.0L F/I V8	00-02	PF-1000
Yukon Denali			INFINITI	Year(s)	Part#	4.2L F/I V8	03-04	PF-1000
5.7L F/I V8	99-00	PF-1000	G20				2006	PF-1000
6.0L F/I V8	01-03	PF-1000	2.0L F/I L4	91-96	PF-1100			
Yukon Denali XL			I30			JEEP	Year(s)	Part#
6.0L F/I V8	01-03	PF-1000	3.0L F/I V6	1999	PF-1100	CJ5		
Yukon XL 1500			3.0L F/I V6 - Mexico	96-98	PF-1100	225 CARB V6	70-71	PF-1300
5.3L F/I V8	00-03	PF-1000		2000	PF-1100	232 CARB L6	73-75	PF-1300
Yukon XL 2500			M30			258 CARB L6	71-75	PF-1300
6.0L F/I V8	00-03	PF-1000	3.0L F/I V6	90-92	PF-1100	304 CARB V8	71-74	PF-1300
8.1L F/I V8	01-03	PF-1000	M45			CJ6		
			4.5L F/I V8 - Mexico	03-04	PF-1100	225 CARB V6	70-71	PF-1300
HONDA	Year(s)	Part#	Q45			232 CARB L6	74-75	PF-1300
Accord			4.1L F/I V8	97-99	PF-1100	258 CARB L6	71-75	PF-1300
1.8L CARB L4	80-81	PF-1300	4.1L F/I V8 - Mexico	00-01	PF-1100	304 CARB V8	71-74	PF-1300
2.2L F/I L4	94-97	PF-1200	4.5L F/I V8	90-96	PF-1100	DJ5		
2.3L F/I L4 - Mexico	99-02	PF-1200	QX4			225 CARB V6	70-71	PF-1300
2.7L F/I V6	95-97	PF-1200	3.3L F/I V6	97-00	PF-1100	258 CARB L6	73-74	PF-1300
Accord EX			3.5L F/I V6	01-03	PF-1100	Jeepster		
2.2L F/I L4	1994	PF-1200	JAGUAR	Year(s)	Part#	225 CARB V6	70-71	PF-1300
Accord V			S-Type			258 CARB L6	71-73	PF-1300
2.2L F/I L4 - EX-R	1998	PF-1200	3.0L F/I V6	00-08	PF-2000	304 CARB V8	71-73	PF-1300
Accord VI			4.0L F/I V8	00-02	PF-2000	Wagoneer		
2.2L F/I L4 - EX-R	1998	PF-1200	4.2L F/I V8	03-08	PF-2000	327 2 BBL. V8	67-68	PF-1300
Accord VII			Super V8			360 CARB V8	73-74	PF-1300
2.2L F/I L4 - EX-R	98-01	PF-1200	4.2L F/I V8	06-09	PF-1000	LINCOLN	Year(s)	Part#
Civic CX			Vanden Plas			Continental		
1.5L F/I L4	1995	PF-1200	4.0L F/I L6	92-97	PF-1000	3.8L F/I V6	88-94	PF-2200
1.6L F/I L4	96-00	PF-1200	4.0L F/I V8	98-03	PF-1000	4.6L F/I V8	95-02	PF-2200
Civic del Sol			4.2L F/I V8	04-09	PF-1000	5.0L F/I V8	83-87	PF-2200
1.5L F/I L4	1995	PF-1200	XF			LS		
1.6L F/I L4	95-97	PF-1200	4.2L F/I V8	09-10	PF-2000	3.0L F/I V6	00-02	PF-2000
Civic DX			5.0L F/I V8	2010	PF-2000	3.9L F/I V8	00-02	PF-2000
1.5L F/I L4	1995	PF-1200	XF Luxury			Mark VI		
1.6L F/I L4	96-00	PF-1200	4.2L F/I V8	2009	PF-2000	5.0L F/I V8	1983	PF-2200

PERFORMANCE FUEL FILTERS

LINCOLN	Year(s)	Part#	MAZDA	Year(s)	Part#	MERCURY	Year(s)	Part#
Mark VII			RX-2			Mariner Hybrid		
5.0L F/I V8	84-92	PF-2200	1.1L CARB R2	71-74	PF-1300	2.3L F/I L4	06-07	PF-2200
Navigator			RX-3			2.3L F/I L4 - Mexico	2008	PF-2200
5.4L F/I V8	1998	PF-2300	1.1L CARB R2	72-78	PF-1300	2.3L F/I L4 - US	2008	PF-2300
	01-02	PF-2000	RX-4			2.5L F/I L4	09-11	PF-2300
	05-06	PF-2000	1.3L CARB R2	74-78	PF-1300	Marquis		
5.4L F/I V8 - DOHC	99-00	PF-2000	RX-7			3.8L F/I V6	84-86	PF-2200
5.4L F/I V8 - Mexico	1999	PF-2300	1.1L CARB R2	79-81	PF-1300	5.0L F/I V8	1985	PF-2200
5.4L F/I V8 - SOHC	2000	PF-2300	Tribute			Milan		
5.4L F/I V8 - US	1999	PF-2000	2.0L F/I L4	01-04	PF-2200	2.3L F/I L4 - Mexico	06-09	PF-2200
Town Car			2.3L F/I L4	05-07	PF-2200	3.0L F/I V6	06-09	PF-2000
4.6L F/I V8	91-97	PF-2200		2009	PF-2200	Montego		
	98-05	PF-2000	2.3L F/I L4 - Mexico	2008	PF-2200	3.0L F/I V6	05-07	PF-2000
5.0L F/I V8	83-90	PF-2200	2.3L F/I L4 - US	2008	PF-2300	Monterey		
			2.5L F/I L4	09-11	PF-2300	312 CARB V8	56-57	PF-1300
MAZDA	Year(s)	Part#	3.0L F/I V6	01-07	PF-2200	Monterey Van		
808				09-11	PF-2300	4.2L F/I V6	04-05	PF-2000
1.6L CARB L4	75-77	PF-1300	3.0L F/I V6 - Mexico	2008	PF-2200	Mountaineer		
97 CARB L4	72-73	PF-1300	3.0L F/I V6 - US	2008	PF-2300	4.0L F/I V6	1998	PF-2300
B1600			Tribute Hybrid				99-01	PF-2000
1.6L CARB L4	75-76	PF-1300	2.3L F/I L4 - Mexico	2008	PF-2200	5.0L F/I V8	97-98	PF-2300
97 CARB L4	72-74	PF-1300	2.3L F/I L4 - US	2008	PF-2300		99-01	PF-2000
B1800			2.5L F/I L4	09-10	PF-2300	Mystique		
110 CARB L4	77-78	PF-1300	MERCURY	Year(s)	Part#	2.0L F/I L4	95-00	PF-2200
B2000			Cougar			2.5L F/I V6	95-00	PF-2200
2.0L CARB L4	79-81	PF-1300	2.0L F/I L4	99-02	PF-2200	Sable		
B2300			2.3L F/I L4	84-86	PF-2200	2.5L F/I L4	1986	PF-2200
2.3L F/I L4	1994	PF-2200	2.5L F/I V6	99-02	PF-2200	3.0L F/I V6	86-00	PF-2200
2.3L F/I L4 - Mexico	95-97	PF-2200	3.8L F/I V6	84-86	PF-2200	3.8L F/I V6	88-95	PF-2200
2.3L F/I L4 - US	95-97	PF-2300		1988	PF-2200	Topaz		
B2500			3.8L MFI V6	1987	PF-2200	2.3L F/I L4	85-94	PF-2200
2.5L F/I L4	98-99	PF-2000	3.8L TBI V6	1987	PF-2200	3.0L F/I V6	92-94	PF-2200
B3000			5.0L F/I V8	83-90	PF-2200	Tracer		
3.0L F/I V6	1994	PF-2200	5.0L F/I V8 - Mexico	91-93	PF-2200	1.8L F/I L4	91-96	PF-2200
	98-99	PF-2000	Grand Marquis			1.9L F/I L4	91-96	PF-2200
3.0L F/I V6 - Canada	96-97	PF-2300	3.0L F/I V6	05-08	PF-2200	Villager		
3.0L F/I V6 - Mexico	95-97	PF-2200	4.6L F/I V8	92-97	PF-2200	3.3L F/I V6	99-02	PF-1100
3.0L F/I V6 - US	1995	PF-2300		99-11	PF-2000	NISSAN	Year(s)	Part#
B4000			4.6L F/I V8 - Mexico	1998	PF-2200	200SX		
4.0L F/I V6	1994	PF-2200	4.6L F/I V8 - US	1998	PF-2000	1.6L F/I L4	95-98	PF-1100
	98-99	PF-2000	5.0L F/I V8	83-91	PF-2200	2.0L F/I L4	95-98	PF-1100
4.0L F/I V6 - Mexico	95-97	PF-2200	5.8L CARB V8	82-85	PF-1300	240SX		
4.0L F/I V6 - US	95-97	PF-2300	Lynx			2.4L F/I L4	89-98	PF-1100
Cosmo			1.6L F/I L4	1983	PF-2200	300ZX		
1.3L CARB R2	76-78	PF-1300	1.6L F/I L4 - Exc.	1984	PF-2200	3.0L F/I V6	84-89	PF-1100
GLC			Turbo			720		
1.3L CARB L4	77-78	PF-1300	1.9L F/I L4	86-87	PF-2200	2.0L CARB L4	85-86	PF-1100
1.5L CARB L4	1981	PF-1300	Marauder			2.4L CARB L4	1985	PF-1100
Mizer			4.6L F/I V8	03-04	PF-2000	2.4L F/I L4	1986	PF-1100
1.3L CARB L4	76-77	PF-1300	Mariner			Axxess		
Navajo			2.3L F/I L4	05-07	PF-2200	2.4L F/I L4	90-95	PF-1100
4.0L F/I V6	91-94	PF-2300	2.3L F/I L4 - Mexico	2008	PF-2200	Frontier		
R100			2.3L F/I L4 - US	2008	PF-2300	2.4L F/I L4	98-04	PF-1100
1.1L CARB R2	70-72	PF-1300	2.5L F/I L4	09-11	PF-2300	3.3L F/I V6	99-04	PF-1100
Rotary Pickup			3.0L F/I V6	05-07	PF-2200	Hikari		
1.3L CARB R2	74-77	PF-1300		08-11	PF-2300	1.6L F/I L4	90-92	PF-1100

PERFORMANCE FUEL FILTERS

NISSAN	Year(s)	Part#	PLYMOUTH	Year(s)	Part#	PLYMOUTH	Year(s)	Part#
Lucino			Belvedere			PB100		
1.6L F/I L4	96-99	PF-1100	361 CARB V8	60-66	PF-1300	225 CARB L6 - In-line Filter	79-80	PF-1300
2.0L F/I L4	96-99	PF-1100	383 CARB V8	60-65	PF-1300	318 CARB V8 - In-line Filter	76-77	PF-1300
Maxima				67-68	PF-1300	360 CARB V8 - In-line Filter	76-77	PF-1300
3.0L F/I V6	85-99	PF-1100	413 CARB V8	61-62	PF-1300	PB200		
Multi			426 CARB V8	64-68	PF-1300	225 CARB L6 - In-line Filter	76-77	PF-1300
2.0L F/I L4	86-88	PF-1100	440 CARB V8	67-70	PF-1300	318 2 BBL. V8	79-80	PF-1300
NX			Belvedere II			318 4 BBL. V8	79-80	PF-1300
1.6L F/I L4	91-93	PF-1100	225 CARB L6	65-67	PF-1300	318 CARB V8 - In-line Filter	76-77	PF-1300
2.0L F/I L4	91-93	PF-1100	273 CARB V8	66-67	PF-1300	360 CARB V8	78-80	PF-1300
Pathfinder			361 CARB V8	65-66	PF-1300	360 CARB V8 - In-line Filter	76-77	PF-1300
3.3L F/I V6	96-00	PF-1100	383 CARB V8	65-67	PF-1300	400 CARB V8 - In-line Filter	76-77	PF-1300
3.5L F/I V6	01-04	PF-1100	426 CARB V8	65-67	PF-1300	440 CARB V8 - In-line Filter	76-77	PF-1300
Pulsar NX			Duster			PB250 Van		
1.5L F/I L4	83-84	PF-1100	198 CARB L6	71-74	PF-1300	3.7L CARB L6 - In-line Filter	1981	PF-1300
1.6L F/I L4	87-90	PF-1100	225 CARB L6	70-75	PF-1300	5.2L CARB V8	1981	PF-1300
1.8L F/I L4	88-89	PF-1100	318 CARB V8	70-74	PF-1300	5.9L CARB V8	1981	PF-1300
Quest			318 CARB V8 - Exc. Calif	75-76	PF-1300	PB300		
3.3L F/I V6	99-03	PF-1100	340 CARB V8	72-73	PF-1300	318 CARB V8	78-80	PF-1300
Sentra			360 CARB V8 - Exc. Calif	75-76	PF-1300	318 CARB V8 - In-line Filter	76-77	PF-1300
1.6L F/I L4	87-99	PF-1100	Fury			360 CARB V8	78-80	PF-1300
2.0L F/I L4	91-94	PF-1100	225 1 BBL. L6 - Exc. Calif	77-78	PF-1300	360 CARB V8 - In-line Filter	76-77	PF-1300
	98-99	PF-1100	225 2 BBL. L6 - Exc. Calif	77-78	PF-1300	400 CARB V8 - In-line Filter	76-77	PF-1300
Stanza			225 CARB L6	60-75	PF-1300	440 CARB V8 - In-line Filter	76-77	PF-1300
2.0L F/I L4	84-89	PF-1100	230 CARB L6	58-59	PF-1300	PB350 Van		
Tsubame			318 CARB V8	60-65	PF-1300	5.2L CARB V8	1981	PF-1300
1.6L F/I L4	93-04	PF-1100		67-74	PF-1300	5.9L CARB V8	1981	PF-1300
Tsuru			318 CARB V8 - Exc. Calif	75-77	PF-1300	Plaza		
1.6L F/I L4	93-94	PF-1100	360 2 BBL. V8 - Exc. Calif	77-78	PF-1300	230 CARB L6	54-55	PF-1300
2.0L F/I L4	93-98	PF-1100	360 4 BBL. V8 - Exc. Calif	77-78	PF-1300		57-58	PF-1300
Urvan			360 CARB V8	71-74	PF-1300	Roadrunner		
2.4L F/I L4	00-01	PF-1100		60-65	PF-1300	318 CARB V8	68-72	PF-1300
Xterra			360 2 BBL. V8 - Exc. Calif	77-78	PF-1300	340 CARB V8	68-72	PF-1300
2.4L F/I L4	00-04	PF-1100	360 4 BBL. V8 - Exc. Calif	77-78	PF-1300	383 CARB V8	70-71	PF-1300
3.3L F/I V6	00-04	PF-1100	361 CARB V8	60-65	PF-1300	426 CARB V8	70-71	PF-1300
PLYMOUTH	Year(s)	Part#	383 CARB V8	60-65	PF-1300	440 CARB V8	68-69	PF-1300
Barracuda				67-68	PF-1300	Satellite		
198 CARB L6	70-71	PF-1300		70-71	PF-1300	225 CARB L6	66-74	PF-1300
225 CARB L6	64-72	PF-1300	400 CARB V8	72-74	PF-1300	273 CARB V8	66-68	PF-1300
273 2 BBL. V8	65-66	PF-1300	400 CARB V8 - Exc. Calif	75-78	PF-1300	318 CARB V8	67-74	PF-1300
273 CARB V8	67-68	PF-1300	413 CARB V8	61-62	PF-1300	340 CARB V8	68-73	PF-1300
318 CARB V8	67-74	PF-1300	426 CARB V8	64-66	PF-1300	360 CARB V8	71-73	PF-1300
340 CARB V8	68-73	PF-1300	440 CARB V8	66-69	PF-1300	383 CARB V8	67-68	PF-1300
360 CARB V8	71-74	PF-1300		71-74	PF-1300		70-71	PF-1300
383 CARB V8	67-68	PF-1300	440 CARB V8 - Exc. Calif	77-78	PF-1300	426 CARB V8	68-69	PF-1300
	70-71	PF-1300	GTX			440 CARB V8		
426 CARB V8	70-71	PF-1300	318 CARB V8	67-70	PF-1300	400 CARB V8	72-74	PF-1300
440 CARB V8	70-72	PF-1300	383 CARB V8	67-68	PF-1300	426 CARB V8	66-67	PF-1300
Belvedere			426 CARB V8	67-68	PF-1300	440 CARB V8	67-74	PF-1300
218 CARB L6	53-54	PF-1300	440 4 BBL. V8	69-70	PF-1300	PB100		
225 CARB L6	60-70	PF-1300	440 CARB V8	67-68	PF-1300	225 CARB L6 - In-line Filter	76-77	PF-1300
230 CARB L6	54-55	PF-1300		67-68	PF-1300			
	57-59	PF-1300		67-68	PF-1300			
273 CARB V8	66-68	PF-1300		67-68	PF-1300			
318 CARB V8	60-65	PF-1300		67-68	PF-1300			
	67-70	PF-1300						

PERFORMANCE FUEL FILTERS

PLYMOUTH	Year(s)	Part#	PLYMOUTH	Year(s)	Part#	DODGE	Year(s)	Part#
Savoy			PB200			B300		
218 CARB L6	53-54	PF-1300	225 CARB L6 - In-line Filter	1980	PF-1300	318 CARB V8 - Exc. Calif	1980	PF-1300
225 CARB L6	60-64	PF-1300				225 CARB L6 - Exc. Calif	1980	PF-1300
230 CARB L6	54-55	PF-1300	PB100			B200 Van		
	57-59	PF-1300	318 CARB V8	1980	PF-1300	360 CARB V8 - Exc. Calif	1980	PF-1300
318 CARB V8	60-64	PF-1300	MAZDA			B100 Van		
361 CARB V8	60-64	PF-1300	GLC			318 CARB V8 - Exc. Calif	1980	PF-1300
383 CARB V8	60-64	PF-1300	1.4L CARB L4	1980	PF-1300	225 CARB L6 - Exc. Calif	1980	PF-1300
413 CARB V8	61-62	PF-1300	FORD			B100 Van		
Scamp			Courier			318 CARB V8 - Exc. Calif	1980	PF-1300
198 CARB L6	73-74	PF-1300	122 CARB L4	1980	PF-1300	225 CARB L6 - Exc. Calif	1980	PF-1300
225 CARB L6	74-75	PF-1300	DODGE			318 CARB V8 - Exc. Calif	1980	PF-1300
318 CARB V8 - Exc. Calif	75-76	PF-1300	W300			225 CARB L6 - Exc. Calif	1980	PF-1300
Trailduster			W200			B100 Van		
225 CARB L6 - In-line Filter	74-77	PF-1300	360 CARB V8 - Exc. Calif	1980	PF-1300	318 CARB V8 - Exc. Calif	1980	PF-1300
	79-80	PF-1300	318 CARB V8 - Exc. Calif	1980	PF-1300	225 CARB L6 - Exc. Calif	1980	PF-1300
318 CARB V8 - In-line Filter	74-77	PF-1300	W150			Ramcharger		
360 CARB V8 - In-line Filter	74-77	PF-1300	360 CARB V8 - Exc. Calif	1980	PF-1300	360 CARB V8 - Exc. Calif	1980	PF-1300
400 CARB V8 - In-line Filter	76-77	PF-1300	318 CARB V8 - Exc. Calif	1980	PF-1300	318 CARB V8 - Exc. Calif	1980	PF-1300
440 CARB V8 - In-line Filter	74-77	PF-1300	225 CARB L6 - Exc. Calif	1980	PF-1300	225 CARB L6 - Exc. Calif	1980	PF-1300
5.2L CARB V8	1981	PF-1300	D300			360 4 BBL. V8 - Exc. Calif	1980	PF-1300
5.9L CARB V8	1981	PF-1300	360 2 BBL. V8 - Exc. Calif	1980	PF-1300	318 4 BBL. V8 - Exc. Calif	1980	PF-1300
Valiant			318 2 BBL. V8 - Exc. Calif	1980	PF-1300	D200		
170 CARB L6	61-69	PF-1300	360 4 BBL. V8 - Exc. Calif	1980	PF-1300	360 2 BBL. V8 - Exc. Calif	1980	PF-1300
198 CARB L6	71-74	PF-1300	318 CARB V8 - Exc. Calif	1980	PF-1300	360 4 BBL. V8 - Exc. Calif	1980	PF-1300
225 CARB L6	61-75	PF-1300	225 CARB L6 - Exc. Calif	1980	PF-1300	318 CARB V8 - Exc. Calif	1980	PF-1300
273 CARB V8	64-65	PF-1300	D150			B300		
	67-69	PF-1300	360 4 BBL. V8 - Exc. Calif	1980	PF-1300	360 CARB V8 - Exc. Calif	1980	PF-1300
318 CARB V8	68-74	PF-1300	318 CARB V8 - Exc. Calif	1980	PF-1300	225 CARB L6 - Exc. Calif	1980	PF-1300
318 CARB V8 - Exc. Calif	75-76	PF-1300	PLYMOUTH			B300		
340 CARB V8	70-73	PF-1300	Year(s)			Part#		
Volare			Trailduster			B300		
225 1 BBL. L6 - Exc. Calif	77-78	PF-1300	360 CARB V8	1980	PF-1300	360 CARB V8 - Exc. Calif	1980	PF-1300
225 2 BBL. L6 - Exc. Calif	77-78	PF-1300	318 CARB V8	1980	PF-1300			
318 CARB V8 - Exc. Calif	76-77	PF-1300						
360 2 BBL. V8 - Exc. Calif	77-78	PF-1300						
360 4 BBL. V8 - Exc. Calif	77-78	PF-1300						
VOLVO			XC70			B300		
Year(s)			Part#			Part#		
2.5L F/I L5	04-07	PF-2300	2.5L F/I L5	03-06	PF-2300	360 CARB V8 - Exc. Calif	1980	PF-1300
XC90			2.9L F/I L6	03-06	PF-2300	318 CARB V8 - Exc. Calif	1980	PF-1300
2.5L F/I L5	03-06	PF-2300	4.4L F/I V8	05-11	PF-2300	225 CARB L6 - Exc. Calif	1980	PF-1300
2.9L F/I L6	03-06	PF-2300	PLYMOUTH			B300		
4.4L F/I V8	05-11	PF-2300	Year(s)			Part#		
PLYMOUTH			Trailduster			B300		
Year(s)			Part#			Part#		
360 CARB V8	1980	PF-1300	360 CARB V8	1980	PF-1300	360 CARB V8 - Exc. Calif	1980	PF-1300
318 CARB V8	1980	PF-1300						

WARRANTIES AND GUARANTEES

K&N® 10-Year/Million Mile Limited Warranty

K&N® O/E replacement air filters and air intake systems purchased from authorized dealers are backed by the K&N 10-Year/Million Mile Limited Warranty when used primarily on paved roads and on vehicles for which they were designed. If one of these products ever fails to provide complete satisfaction, K&N will replace it.

WHAT IS NOT COVERED BY OUR WARRANTY

Any K&N® product used for 1: any type of racing or competition; 2: any off-road use, custom or modified applications; 3: any off-road or dual sport motorcycle/ATV use; or 4: any illegal highway use, marine, or industrial applications. All K&N air filters not covered by our 10-year/million mile limited warranty are warranted against defective materials or workmanship for one year from date of purchase with no mileage limitation. This includes K&N air filters sold for ATVs and off-highway or dual-purpose motorcycles.

INCORRECT CLEANING OR USE VOIDS WARRANTY

K&N® air filters should be cleaned every 50,000 miles for normal highway use, more often in dusty conditions. Cleaning should be done with K&N cleaner and air filter oil (or comparable air filter cleaner and oil). Use of compressed air, or chemicals not specifically designed to clean and re-oil cotton air filters (i.e. gasoline, transmission fluid, motor oil, lightweight oil, or diesel fuel) will void the warranty. Any damaged, abused or modified K&N air filters will not be warranted.

REPLACEMENT

Any K&N® product returned to K&N will need a return goods authorization number and must be sent at customers' expense along with proof of purchase. Call 1-800-858-3333 or contact K&N by email or mail.

PRODUCT REGISTRATION

Register your warranty at our website and you'll be eligible for special promotions and product upgrade opportunities.

EXTENT OF WARRANTY

Any defective K&N® air filter properly returned to K&N will be replaced. K&N reserves the right to determine whether the terms of the warranty, set out above, have been properly complied with. In the event that the terms are not complied with, K&N shall be under no obligation to honor this warranty. K&N will not be responsible for any indirect, consequential, special, contingent, or other damages.



Commercial Grade Diesel Air Filter Warranty

K&N® commercial grade air filters have a 3-year or 300,000-mile limited warranty. They are meant to be washed and reused multiple times before needing to be replaced.

K&N® Oil Filter Warranty

K&N® oil filters are warranted to be free from defects in material and workmanship. Any filter proven defective during the engine or equipment manufacturer's recommended service intervals will be replaced at no charge.

In the event of an engine or equipment failure directly caused by a defective K&N oil filter, which was properly installed and changed following the engine or equipment manufacturer's recommended service intervals, K&N Engineering, Inc. will repair the damaged engine or equipment. If a full synthetic or other premium lubricant is used, K&N will extend this coverage to the interval specified by the lubricant supplier.

Claims for engine or equipment repairs provided under this warranty must be submitted within 30 days after discovery of damage. K&N Engineering, Inc. reserves the right to examine the engine or equipment and filter to determine the amount of damage and whether it was caused by a defective K&N oil filter.

This warranty gives you specific legal rights. You may have other rights which vary from state to state.

Engine and equipment manufacturer's warranties remain in effect when K&N oil filters are used.



Emissions Standards and Smog Test Requirements

K&N® offers more 50-state street legal automotive intake systems than any other company. Check the status of the part number for your vehicle in this catalog or on our website and check whether it has a CARB E.O. CARB stands for California Air Resources Board. E.O. stands for Executive Order.

In order for an intake system to be legal in California and states with emission standards, the part must receive an exemption in the form of an E.O. number from CARB which is only valid for a specific vehicle and the E.O. must be in or attached to the vehicle. That means a part number can be CARB exempt for some vehicle applications and not others. There is no such thing as "CARB pending". A particular part number on a particular vehicle is either exempt or not. An intake system that does not have a CARB E.O. is not legal for highway use in California and a few other states and will not pass a state regulated emissions test solely due to the absence of an E.O. number. If you still have questions about the legality of a K&N part number on your vehicle, please visit our website or contact customer service at 1-800-858-3333. You can also determine whether CARB exemption is required for a part on your vehicle to be legal in your state by checking with your local or state motor vehicle or emissions agency.

WARRANTIES AND GUARANTEES

Consumer Protection Pledge

We want to make sure that when you buy a K&N® lifetime air filter or air intake system, you can be confident your vehicle's warranty will not be impacted. We also want you to feel confident that even if you experience difficulties with a dealership repair department, we will step-in and resolve the issue, so you won't have to. Therefore, we make the following pledge:

K&N® pledges to our customers that they will not be taken advantage of and charged for a repair due to a manufacturer warranty denial blamed on the presence of a K&N product.



A member of K&N's fully staffed customer service department



Horsepower Guarantee

K&N® Air Intake Systems are Guaranteed to Increase Power!*

Every K&N® air intake system we design has been tested on a chassis dynamometer to establish that it will provide an increase in horsepower to the drive wheels of the vehicle.** We publish estimated horsepower increases to allow consumers an opportunity to view a real test result for a specific or similar vehicle even though the actual results a consumer will receive will vary depending on such things as the condition of the vehicle, weather, fuel, and other circumstances.

Our horsepower guarantee is simple and straightforward. If you are the original retail purchaser of a K&N intake system, we offer an unconditional 30 day money back guarantee. If you are unhappy with a K&N intake system for any reason, including the horsepower improvement

experienced, we will refund 100% of the purchase price and even pay for return shipping to K&N.

If you are not completely satisfied and wish to return your intake, simply call our customer support team in Riverside, California at 800-858-3333 within 30 days of the original purchase. Provide your name, address, contact information, and original purchase price. We will issue a return authorization number to you. We can also send you a shipping label to get the intake returned at no cost to you. Then use the shipping label to return the complete air intake system (including all parts and components) in an undamaged condition (exclusive of ordinary wear and tear and markings from installation) in the original packaging, together with the original proof of purchase, clearly showing the date of purchase and amount paid. Make sure that the shipping label clearly indicates the return authorization number. A check for the refund will be sent, within 30 days of receipt, to the name and address provided.

This guarantee does not apply to any other costs incurred by the original purchaser, including, but not limited to, dynamometer testing, parts and labor for the installation or removal of the air intake system, loss of use, or other incidental costs.



**GUARANTEED TO
INCREASE
HORSEPOWER**

Engine Protection Limited Warranty

Unlike many companies, our warranty for O/E replacement air filters and intake systems does extend beyond the replacement of a defective K&N part. For the original purchaser of the product, our warranty covers any engine damage or related costs incurred as a direct result of the use of a properly installed and maintained K&N O/E replacement air filter or intake system on the specific vehicle for which the product was designed to be used by K&N. This includes reasonable vehicle repair costs, sensor replacements, car rental fees or other incidental expenses directly related to an engine problem caused by the failure of a K&N product. Furthermore, we warrant that using our product will not result in a vehicle warranty denial. K&N will not be responsible for any indirect, consequential, special, contingent, or other damages not listed above.

We will promptly reimburse the consumer for the cost of the repair if a service provider denies warranty coverage as a result of a K&N product or claims that a K&N product has caused harm to your engine or vehicle. In order to receive reimbursement, we require each of the following:

1. The consumer must provide a written statement or repair order from the dealership or service provider in which the dealership or service provider blames the problem or warranty denial on a K&N product;
2. The service provider or consumer must provide K&N with all allegedly damaged parts. Many states have laws that require a service provider to retain all parts replaced during a vehicle repair, unless given consent to dispose of the parts by the consumer. K&N will pay the shipping cost to recover these parts; and
3. The consumer must provide proof of purchase of the K&N product along with cooperation in helping us investigate the claim.

Once these steps have been completed, K&N will contact the service provider and collect evidence to support their claim. In the event we are not provided with sufficient evidence, we reserve the right to reject the claim and will use our best efforts to assist in establishing your rights toward the service provider under warranty or other provisions.

We strive to exceed consumer expectations. Customer service can be reached at 1-800-858-3333.

* Applicable only for air intake systems purchased and installed in the U.S.A.

** Please note that the horsepower rating that a motor vehicle manufacturer advertises is usually measured at the crankshaft of the engine using an engine dynamometer. There is generally a parasitic loss of horsepower between the crankshaft and drive wheels, which is caused by the drivetrain of the vehicle. This means we will often show absolute horsepower numbers that are lower than the vehicle manufacturer since we are measuring the horsepower that reaches the road.

Testing Facilities and Methods

K&N® maintains testing facilities in the USA, the UK and the Netherlands. These facilities incorporate both airflow and horsepower/torque testing capabilities. Our horsepower/torque testing is performed on wheel-based dynamometers, which measure SAE corrected brake horsepower and torque at the wheel(s) receiving power from the drive train. This is different and we believe more realistic than horsepower/torque testing done at the flywheel of an engine because the power lost between the engine and the wheels does not contribute to the power needed to put a vehicle in motion. Our standard SAE corrected horsepower/torque testing is designed to measure relative power differences on a vehicle with and without K&N products installed. We attempt to hold all other variables constant to generate a reliable measurement of changes in SAE corrected horsepower and torque on a vehicle before and after a K&N product is installed.

Airflow testing is a little more complicated, so we have included a detailed description of our airflow testing on our website. See knfilters.com for more information.

To test the dust filtration efficiency for a particular air filter, we use both an independent lab and our own dirt retention laboratory to conduct such tests in accordance with the ISO 5011 testing procedure.



K&N® Estimated Horsepower Gains

K&N® provides estimated SAE corrected horsepower gains that are based on actual dynamometer testing for a specific or similar vehicle. The actual horsepower increase a consumer will receive will vary depending on such things as vehicle condition, fuel, weather and other circumstances. It would be impractical to test every possible vehicle configuration or year in which a particular engine may be used; therefore, many of our estimates are based upon similar engine/vehicle/year dynamometer testing that we believe to be representational for the vehicle listed.

K&N® Dynamometer Test Results

K&N® utilizes an inertial dynamometer (dyno) to determine the estimated SAE corrected horsepower of our intake kits and OE replacement air filters. This type of dyno does not actually measure horsepower, but rather measures acceleration. This measured acceleration is then multiplied by the mass of the drum (a constant mass) to obtain the force being applied to the drum, or in other words, the interface between the vehicle's tires and the dyno drum. Now that the force at this point is known, determining the torque is straightforward. The torque is calculated by multiplying the calculated force by the radius (again a constant) of the dyno's drum.

Now, torque is very simply and mathematically related to horsepower by the following equation:

$$\text{Horsepower} = \text{Torque} \times \text{RPM} / 5,252$$

From this equation, the SAE corrected horsepower can be determined.

According to the above explanation, the only variable being measured by the dyno is the acceleration of the drum. There are no adjustments (calibration) to be made by K&N on either the two-wheel or four-wheel drive dyno. The mass of the drum(s) is determined at the factory before shipping the dynamometers to K&N and the mass of the drum(s) are imbedded into the software. K&N does not have the ability to modify or adjust these values.

Furthermore, there are several factors that can affect the SAE corrected horsepower values as measured by K&N or at any other dyno facility. Some of these factors are:

- Consistency of test parameters
- Tire pressure
- Fuel octane rating
- Vehicle condition
- The atmospheric conditions (dyno correction factors can vary from engine electronic correction factors)

K&N has noticed that SAE corrected horsepower values will vary from day-to-day, while testing the same vehicle, due to the manner in which the vehicle's on-board computer adjusts for varying climate conditions. In other words, if a vehicle is tested at sea level on a sunny and warm day, the dyno will apply a SAE correction factor to adjust the conditions to a standard temperature and pressure (STP) and the vehicle's on-board computer will also apply certain set of operating parameters. If that same vehicle is tested at a high altitude, on a rainy and cold day, the dyno will again adjust to STP while the vehicle may adjust to a different correction factor than it did on the sea level test. Furthermore, some vehicles have required almost a 100 miles be logged on the vehicle in order to allow the on-board computer to reset itself to obtain accurate power readings.

While K&N pays close attention to these many factors, and is patient while performing dyno tests, we are not in the position to scrutinize the many facilities that perform dynamometer testing for the general public. Furthermore, we certainly do not have enough information to make a judgment on the validity of these tests.



CABIN AIR FILTER CLEANING INSTRUCTIONS

K&N® Washable Cabin Air Filter Cleaning Instructions

K&N® recommends servicing your washable cabin air filter every 12 months or 12,000 miles. This is similar to the typical recommended replacement interval for a disposable cabin air filter. Cleaning your K&N® Washable Cabin Air Filter requires the use of a K&N Refresher™ Kit by following these simple steps:

Step 1: Remove Filter

Remove the K&N® cabin air filter from the cabin air filter housing and or cabin air filter tray. Handling with care, remove loose dirt and debris from the filter by tapping it with your hand or against a hard surface.

Step 2: Apply Cleaner

Spray a generous amount of K&N's specially formulated cabin air filter cleaner part# 99-0650 onto both sides of the filter, with a majority of it applied to the dirty side. Allow the cleaner to soak in for 10 minutes. Do not allow the cleaner to dry on the cabin air filter.

Step 3: Rinse Filter

Rinse off the filter element with cool or warm (not hot) water from the clean side out in order to flush the dirt out of the filter. It may be necessary to use your fingers on the hose, to apply light water pressure. Repeat steps 2 and 3, until the water flowing through the media is completely clear of any dirt and debris.

Step 4: Dry

After rinsing, gently shake off excess water. Allow filter to dry naturally for 20-30 minutes. The filter does not need to be completely dry and can be slightly damp before moving to the next step.

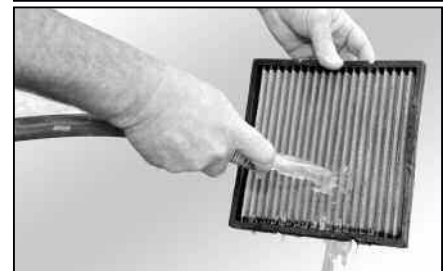
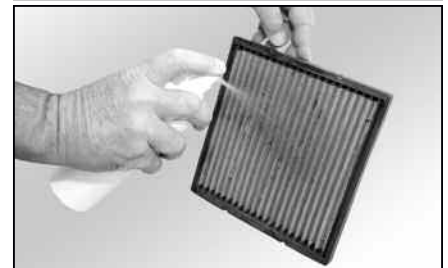
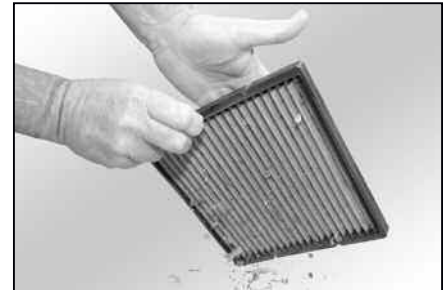
Step 5: Refreshing

Apply K&N® cabin air filter Refresher™ part# 99-0660 onto the cabin air filter element. Apply liberally, so that the entire area of the cabin air filter media is treated.

Step 6: Re-Install

Re-install the cabin air filter into the filter housing or tray. Follow original installation instructions that were provided with your K&N® cabin air filter.

Scan this QR code
to see a cleaning
instruction video



Use only K&N® cabin air filter Refresher™ kit, and not K&N® engine air filter Recharger® kit. The above process is the only approved procedure for servicing your K&N® cabin air filter. Please visit knfilters.com for a complete listing of other K&N® products for your vehicle, such as oil filters, air filters, and intake systems.

Visit knfilters.com for additional information on cleaning and refreshing your filter.

ENGINE AIR FILTER CLEANING INSTRUCTIONS

K&N® Engine Air Filter Cleaning Instructions

Most K&N® air filters will normally require cleaning every 50,000 miles. Servicing your K&N® oiled cotton air filter is simple; just follow the four easy steps below.

Scan this QR code to see a cleaning instruction video



Step 1: Apply Cleaner

Liberally spray K&N® air filter cleaner or K&N® Power Kleen® onto both sides of filter and allow to soak for 10 minutes to loosen the dirt. Do not allow cleaner to dry on air filter.



Step 2: Rinse Filter

Rinse off air filter with cool low-pressure water from the clean side out in order to flush the dirt out of the filter. Continue to rinse the filter until all traces of cleaner are gone. It may be necessary to repeat steps 1 and 2.



Step 3: Dry Filter

After rinsing, gently shake off excess water and **allow filter to dry naturally**. Do not oil until the filter is dry.

Step 4: Oil Filter

Squeeze Oil (99-5050): Apply K&N® air filter oil evenly along the crown of each filter pleat. Allow oil to wick for approximately 20 minutes. Touch up any light areas on either side of the filter until there is a uniform red color on all areas.



Aerosol Oil (99-5000): Spray K&N® air filter oil evenly along the crown of each filter pleat holding nozzle about 3" away. Allow oil to wick for approximately 20 minutes. Touch up any light areas on either side of the filter until there is a uniform red color on all areas.



The above process is the only approved procedure for maintaining your K&N® oiled cotton air filter.

Visit knfilters.com for additional information on cleaning and re-oiling your filter and examples of a dirty filter needing to be serviced.

Recharger® Air Filter Cleaning Kit

Aerosol

Designed to clean cotton K&N® engine air filters. It restores airflow efficiency so your air filter performs virtually like new! Includes 6 1/2 oz. spray oil and 12 oz. filter cleaner. **Part# 99-5000**

Squeeze Oil

Same as 99-5000 except has squeeze oil bottle instead of spray can. Includes 8 oz. squeeze oil and 12 oz. filter cleaner. **Part# 99-5050**



99-5000

99-5050

Power Kleen™

K&N Power Kleen™ is a high-performance cleaner and degreaser used to remove road grime, engine exhaust and grease from cotton air filters. It is the only brand of cleaner recommended to clean K&N® engine air filter elements, and is now formulated to clean those troublesome and demanding cleaning jobs. It can remove oil, lubricants, grease, grime, and other deposits from most surfaces including cotton K&N® engine air filters, painted surfaces, chrome, plastic and more!



99-0621

99-0606

DESCRIPTION	PART#
12 fl. oz. Spray Bottle	99-0606
32 fl. oz. Spray Bottle	99-0621
1 gal. Bottle	99-0635
5 gal. Pail	99-0640

Note: Do not use on polished or anodized aluminum.



Synthetic Air Filter Cleaner

K&N® synthetic air filter cleaner is perfect for K&N® Dryflow® air filters. This cleaner loosens and dissolves dirt and grime buildup on K&N® synthetic air filters. It comes in a 32 oz. spray bottle. **Part# 99-0624**

Heavy Duty Air Filter Cleaner

K&N® heavy duty air filter cleaner is used on K&N® heavy duty commercial grade air filters. It helps break down dirt and grime caught by the hybrid filter material so it can be rinsed out with a hose or pressure washer. It comes in a one-gallon bottle with a 38-inch hose and spray nozzle. **Part# 99-0638**



K&N® Air Filter Oil

K&N® air filter oil is the only oil specially formulated to work in combination with the cotton fabric in K&N® air filter elements, providing outstanding air filtration. It quickly penetrates the filter pleats, where it remains suspended in the cotton fabric until the element is cleaned with K&N® engine air filter cleaner.



99-11312

99-0504

99-0533

DESCRIPTION	PART#
6 1/2 oz. Aerosol Can	99-0504
12 oz. Aerosol Can	99-0516
8 oz. Squeeze Bottle	99-0533
1/2 oz. Pillow Pack	99-11312
1 gal. Refill Bottle	99-0551
5 gal. Pail	99-0555

NEW!

K&N Refresher™ Cabin Air Filter Cleaning Kit

K&N's Refresher™ cabin air filter cleaning kit comes with a cleaner and a bottle of Refresher™. The cleaner loosens dirt from K&N® cabin air filters and helps remove trapped mold, fungus, allergens, and other debris from them. K&N's Refresher™ helps these filters trap contaminants and also helps eliminate the source of most odors. Includes 12 oz. cabin air filter cleaner and 8 oz. cabin air filter Refresher™. **Part# 99-6000**



K&N® Sealing Grease

K&N® air filter sealing grease provides an air tight fit around sealing surfaces on all types of air filter elements. It resists heat and will not melt or run off.



99-0703-1

DESCRIPTION	PART#
1 oz. Squeeze Tube	99-0703-1
6 oz. Squeeze Tube	99-0704

Note: K&N® air filter sealing grease is not to be used on clamp-on filter elements.



**PEDAL DOWN.
PULSE UP.**



**SUPERIOR AIRFLOW.
SUPERIOR PERFORMANCE.®**

Follow us @knfilters



KNFILTERS.COM

\$1.99



**K&N ENGINEERING, INC.
1-800-858-3333**

1455 Citrus St. Riverside, CA 92507
P.O. Box 1329, Riverside, CA 92502



89-11482-16

©2016 K&N Engineering, Inc.